




**GENUINE PARTS CATALOGUE
CATALOGUE PIÈCES D'ORIGINE
ORIGINAL ERSATZTEILKATALOG
CATALOGO DE PIEZAS LEGITIMAS
CATALOGO RICAMBI ORIGINALI**

This document has been printed from 

MANITOU BF

Head office: 430, Rue de l'Aubinière
44150 Ancenis - FRANCE
Share capital: 39,548,949 euros
857 802 508 RCS Nantes
Tel: +33 (0)2 40 09 10 11
www.manitou.com

CLICK HERE TO **DOWNLOAD** THE COMPLETE MANUAL

- Thank you very much for reading the preview of the manual.
- You can download the complete manual from: www.heydownloads.com by clicking the link below



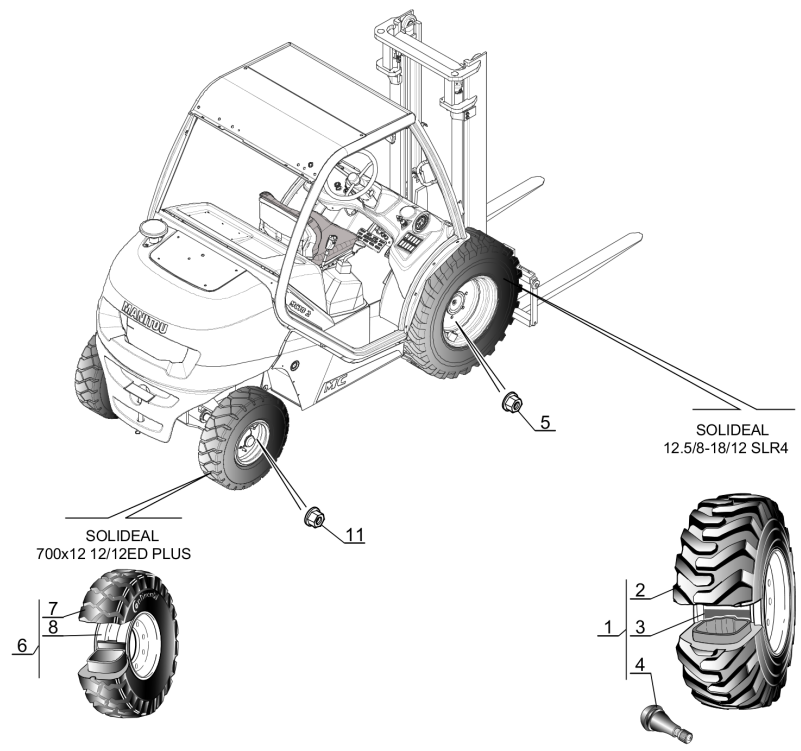
- Please note: If there is no response to CLICKING the link, please download this PDF first and then click on it.

CLICK HERE TO **DOWNLOAD** THE COMPLETE MANUAL

Item	Part No.	Name	Characteristics	Qty	Superseded PartNumber	Machine applicability
1	172385	Sticker (towing)		1		MC 25-4 D K ST5 S1, MSI 35 D K ST5 S1, MC 30-4 D K ST5 S1, MC 30-2 D K ST5 S1, MSI 25 D K ST5 S1, MSI 30 D K ST5 S1, MC 25-2 D K ST5 S1
2	223323	Sticker (patents)		1		MC 25-4 D K ST5 S1, MSI 35 D K ST5 S1, MC 30-4 D K ST5 S1, MC 30-2 D K ST5 S1, MSI 25 D K ST5 S1, MSI 30 D K ST5 S1, MC 25-2 D K ST5 S1
3	234798	Sticker (hydraulic oil)		1		MC 25-4 D K ST5 S1, MSI 35 D K ST5 S1, MC 30-4 D K ST5 S1, MC 30-2 D K ST5 S1, MSI 25 D K ST5 S1, MSI 30 D K ST5 S1, MC 25-2 D K ST5 S1
4	234802	Sticker (fuel)		1		MC 25-4 D K ST5 S1, MSI 35 D K ST5 S1, MC 30-4 D K ST5 S1, MC 30-2 D K ST5 S1, MSI 25 D K ST5 S1, MSI 30 D K ST5 S1, MC 25-2 D K ST5 S1
5	239594	Sticker	104 db	1		MC 25-4 D K ST5 S1, MSI 35 D K ST5 S1, MC 30-4 D K ST5 S1, MC 30-2 D K ST5 S1, MSI 25 D K ST5 S1, MSI 30 D K ST5 S1, MC 25-2 D K ST5 S1
6	24653	Sticker (slinging point hook)		3		MC 25-4 D K ST5 S1, MSI 35 D K ST5 S1, MC 30-4 D K ST5 S1, MC 30-2 D K ST5 S1, MSI 25 D K ST5 S1, MSI 30 D K ST5 S1, MC 25-2 D K ST5 S1
7	253267	Sticker (handle function)		1		MC 25-4 D K ST5 S1, MSI 35 D K ST5 S1, MC 30-4 D K ST5 S1, MC 30-2 D K ST5 S1, MSI 25 D K ST5 S1, MSI 30 D K ST5 S1, MC 25-2 D K ST5 S1
8	293887	Sticker (anti-freeze)		1		MC 25-4 D K ST5 S1, MSI 35 D K ST5 S1, MC 30-4 D K ST5 S1, MC 30-2 D K ST5 S1, MSI 25 D K ST5 S1, MSI 30 D K ST5 S1, MC 25-2 D K ST5 S1
9	300681	Sticker (instructions before start-up)		1		MC 25-4 D K ST5 S1, MSI 35 D K ST5 S1, MC 30-4 D K ST5 S1, MC 30-2 D K ST5 S1, MSI 25 D K ST5 S1, MSI 30 D K ST5 S1, MC 25-2 D K ST5 S1
10	719889	Sticker (periodic maintenance)		1		MC 25-4 D K ST5 S1, MSI 35 D K ST5 S1, MC 30-4 D K ST5 S1, MC 30-2 D K ST5 S1, MSI 25 D K ST5 S1, MSI 30 D K ST5 S1, MC 25-2 D K ST5 S1
11	163658	Rivet		12		MC 25-4 D K ST5 S1, MSI 35 D K ST5 S1, MC 30-4 D K ST5 S1, MC 30-2 D K ST5 S1, MSI 25 D K ST5 S1, MSI 30 D K ST5 S1, MC 25-2 D K ST5 S1
12	252829	Sticker		4		MC 25-4 D K ST5 S1, MSI 35 D K ST5 S1, MC 30-4 D K ST5 S1, MC 30-2 D K ST5 S1, MSI 25 D K ST5 S1, MSI 30 D K ST5 S1, MC 25-2 D K ST5 S1
13	52577240	Sticker (Made in France)		1		MC 25-4 D K ST5 S1, MSI 35 D K ST5 S1, MC 30-4 D K ST5 S1, MC 30-2 D K ST5 S1, MSI 25 D K ST5 S1, MSI 30 D K ST5 S1, MC 25-2 D K ST5 S1
14	267942	Red sticker	MANITOU ROUGE	2		MC 25-4 D K ST5 S1, MSI 35 D K ST5 S1, MC 30-4 D K ST5 S1, MC 30-2 D K ST5 S1, MSI 25 D K ST5 S1, MSI 30 D K ST5 S1, MC 25-2 D K ST5 S1
15	52577249	Sticker		1		MC 25-4 D K ST5 S1, MSI 35 D K ST5 S1, MC 30-4 D K ST5 S1, MC 30-2 D K ST5 S1, MSI 25 D K ST5 S1, MSI 30 D K ST5 S1, MC 25-2 D K ST5 S1
16	52577256	Sticker		1		MC 25-4 D K ST5 S1, MSI 35 D K ST5 S1, MC 30-4 D K ST5 S1, MC 30-2 D K ST5 S1, MSI 25 D K ST5 S1, MSI 30 D K ST5 S1, MC 25-2 D K ST5 S1
17	52593308	Sticker		2		MC 25-2 D K ST5 S1

Item	Part No.	Name	Characteristics	Qty	Superseded PartNumber	Machine applicability
36	52653231	Cable		1		MC 25-4 D K ST5 S1, MSI 35 D K ST5 S1, MC 30-4 D K ST5 S1, MC 30-2 D K ST5 S1, MSI 25 D K ST5 S1, MSI 30 D K ST5 S1, MC 25-2 D K ST5 S1
37	61323	Screw	HM8	1		MC 25-4 D K ST5 S1, MSI 35 D K ST5 S1, MC 30-4 D K ST5 S1, MC 30-2 D K ST5 S1, MSI 25 D K ST5 S1, MSI 30 D K ST5 S1, MC 25-2 D K ST5 S1
38	58528	Nut	M8	1		MC 25-4 D K ST5 S1, MSI 35 D K ST5 S1, MC 30-4 D K ST5 S1, MC 30-2 D K ST5 S1, MSI 25 D K ST5 S1, MSI 30 D K ST5 S1, MC 25-2 D K ST5 S1
39	286567	Washer		1		MC 25-4 D K ST5 S1, MSI 35 D K ST5 S1, MC 30-4 D K ST5 S1, MC 30-2 D K ST5 S1, MSI 25 D K ST5 S1, MSI 30 D K ST5 S1, MC 25-2 D K ST5 S1
40	52653233	Cable		1		MC 25-4 D K ST5 S1, MSI 35 D K ST5 S1, MC 30-4 D K ST5 S1, MC 30-2 D K ST5 S1, MSI 25 D K ST5 S1, MSI 30 D K ST5 S1, MC 25-2 D K ST5 S1
41	52524532	Clamp		3		MC 25-4 D K ST5 S1, MSI 35 D K ST5 S1, MC 30-4 D K ST5 S1, MC 30-2 D K ST5 S1, MSI 25 D K ST5 S1, MSI 30 D K ST5 S1, MC 25-2 D K ST5 S1
42	254177	Nut	M8	1		MC 25-4 D K ST5 S1, MSI 35 D K ST5 S1, MC 30-4 D K ST5 S1, MC 30-2 D K ST5 S1, MSI 25 D K ST5 S1, MSI 30 D K ST5 S1, MC 25-2 D K ST5 S1
43	260478	Clamp		1		MC 25-4 D K ST5 S1, MSI 35 D K ST5 S1, MC 30-4 D K ST5 S1, MC 30-2 D K ST5 S1, MSI 25 D K ST5 S1, MSI 30 D K ST5 S1, MC 25-2 D K ST5 S1
44	194492	Clamp		0		MC 25-4 D K ST5 S1, MSI 35 D K ST5 S1, MC 30-4 D K ST5 S1, MSI 25 D K ST5 S1, MSI 30 D K ST5 S1
44	194492	Clamp		1		MC 25-4 D K ST5 S1, MSI 35 D K ST5 S1, MC 30-4 D K ST5 S1, MSI 25 D K ST5 S1, MSI 30 D K ST5 S1
45	257779	Fastening lug		0		MC 25-4 D K ST5 S1, MSI 35 D K ST5 S1, MC 30-4 D K ST5 S1, MSI 25 D K ST5 S1, MSI 30 D K ST5 S1
45	257779	Fastening lug		1		MC 25-4 D K ST5 S1, MSI 35 D K ST5 S1, MC 30-4 D K ST5 S1, MSI 25 D K ST5 S1, MSI 30 D K ST5 S1
46	52653232	Cable		1		MC 25-4 D K ST5 S1, MSI 35 D K ST5 S1, MC 30-4 D K ST5 S1, MC 30-2 D K ST5 S1, MSI 25 D K ST5 S1, MSI 30 D K ST5 S1, MC 25-2 D K ST5 S1
47	309394	Switch		1		MC 25-4 D K ST5 S1, MSI 35 D K ST5 S1, MC 30-4 D K ST5 S1, MC 30-2 D K ST5 S1, MSI 25 D K ST5 S1, MSI 30 D K ST5 S1, MC 25-2 D K ST5 S1
48	231913	Screw	M8	1		MC 25-4 D K ST5 S1, MSI 35 D K ST5 S1, MC 30-4 D K ST5 S1, MC 30-2 D K ST5 S1, MSI 25 D K ST5 S1, MSI 30 D K ST5 S1, MC 25-2 D K ST5 S1
49	58528	Nut	M8	1		MC 25-4 D K ST5 S1, MSI 35 D K ST5 S1, MC 30-4 D K ST5 S1, MC 30-2 D K ST5 S1, MSI 25 D K ST5 S1, MSI 30 D K ST5 S1, MC 25-2 D K ST5 S1
50	52654581	Bracket		1		MC 25-4 D K ST5 S1, MSI 35 D K ST5 S1, MC 30-4 D K ST5 S1, MC 30-2 D K ST5 S1, MSI 25 D K ST5 S1, MSI 30 D K ST5 S1, MC 25-2 D K ST5 S1

3 AA 560		ROUES RAD RUEDAS WHEELS RUOTE	MC 25-2 D K ST5 S1 MC 30-2 D K ST5 S1
647839	04/11/2019		



Item	Part No.	Name	Characteristics	Qty	Superseded PartNumber	Machine applicability
1	52655047	Lifting cylinder hose		1		MC 25-4 D K ST5 S1, MSI 35 D K ST5 S1, MC 30-4 D K ST5 S1, MC 30-2 D K ST5 S1, MSI 25 D K ST5 S1, MSI 30 D K ST5 S1, MC 25-2 D K ST5 S1
2	52591920	Connection		1		MC 25-4 D K ST5 S1, MSI 35 D K ST5 S1, MC 30-4 D K ST5 S1, MC 30-2 D K ST5 S1, MSI 25 D K ST5 S1, MSI 30 D K ST5 S1, MC 25-2 D K ST5 S1
3	52591920	Connection		1		MC 25-4 D K ST5 S1, MSI 35 D K ST5 S1, MC 30-4 D K ST5 S1, MC 30-2 D K ST5 S1, MSI 25 D K ST5 S1, MSI 30 D K ST5 S1, MC 25-2 D K ST5 S1
4	239274	Hose	L400	1		MC 25-4 D K ST5 S1, MSI 35 D K ST5 S1, MC 30-4 D K ST5 S1, MC 30-2 D K ST5 S1, MSI 25 D K ST5 S1, MSI 30 D K ST5 S1, MC 25-2 D K ST5 S1
5	213400	Union		1		MC 25-4 D K ST5 S1, MSI 35 D K ST5 S1, MC 30-4 D K ST5 S1, MC 30-2 D K ST5 S1, MSI 25 D K ST5 S1, MSI 30 D K ST5 S1, MC 25-2 D K ST5 S1
6	217043	Elbow connector adaptor		2		MC 25-4 D K ST5 S1, MSI 35 D K ST5 S1, MC 30-4 D K ST5 S1, MC 30-2 D K ST5 S1, MSI 25 D K ST5 S1, MSI 30 D K ST5 S1, MC 25-2 D K ST5 S1
7	290096	Sheath		1		MC 25-4 D K ST5 S1, MSI 35 D K ST5 S1, MC 30-4 D K ST5 S1, MC 30-2 D K ST5 S1, MSI 25 D K ST5 S1, MSI 30 D K ST5 S1, MC 25-2 D K ST5 S1
8	217044	Elbow connector adaptor		1		MC 25-4 D K ST5 S1, MSI 35 D K ST5 S1, MC 30-4 D K ST5 S1, MC 30-2 D K ST5 S1, MSI 25 D K ST5 S1, MSI 30 D K ST5 S1, MC 25-2 D K ST5 S1
10	86788	O ring		1		MC 25-4 D K ST5 S1, MSI 35 D K ST5 S1, MC 30-4 D K ST5 S1, MC 30-2 D K ST5 S1, MSI 25 D K ST5 S1, MSI 30 D K ST5 S1, MC 25-2 D K ST5 S1
11	184787	Watertight seal		1		MC 25-4 D K ST5 S1, MSI 35 D K ST5 S1, MC 30-4 D K ST5 S1, MC 30-2 D K ST5 S1, MSI 25 D K ST5 S1, MSI 30 D K ST5 S1, MC 25-2 D K ST5 S1
12	169373	O ring		1		MC 25-4 D K ST5 S1, MSI 35 D K ST5 S1, MC 30-4 D K ST5 S1, MC 30-2 D K ST5 S1, MSI 25 D K ST5 S1, MSI 30 D K ST5 S1, MC 25-2 D K ST5 S1
13	190017	O ring		1		MC 25-4 D K ST5 S1, MSI 35 D K ST5 S1, MC 30-4 D K ST5 S1, MC 30-2 D K ST5 S1, MSI 25 D K ST5 S1, MSI 30 D K ST5 S1, MC 25-2 D K ST5 S1

10 EA 474	HYDRAULIQUE (Détails) HYDRAULIK (Einzelteile) HIDRAULICO (Detalles) HYDRAULIC (Details) IDRAULICO (Particolari)	MC 25-2 D K ST5 S1 MSI 25 D K ST5 S1 MC 25-4 D K ST5 S1 MSI 30 D K ST5 S1 MC 30-2 D K ST5 S1 MSI 35 D K ST5 S1 MC 30-4 D K ST5 S1
647839	20/11/2019	

● SEULEMENT POUR - NUR FÜR
SOLAMENTE PARA - ONLY FOR - SOLO PER

□ MC 25-2 D K ST3A S1
MC 30-2 D K ST3A S1

■ SEULEMENT POUR - NUR FÜR
SOLAMENTE PARA - ONLY FOR - SOLO PER

□ MSI 25 D K ST3A S5
MSI 30 D K ST3A S5
MSI 35 D K ST3A S5

○ SEULEMENT POUR - NUR FÜR
SOLAMENTE PARA - ONLY FOR - SOLO PER

□ MC 25-4 D K ST3A S1
MC 30-4 D K ST3A S1

POUCHETTE DE JOINTS
DICHTUNGSSATZ
JUEGO DE JUNTAS
SEAL KIT
SERIE GUARNIZIONE

NECESSAIRE DE REPARATION
REPARATURSATZ
NECESARIO DE REPARACION
REPAIR KIT
KIT REPARAZIONE

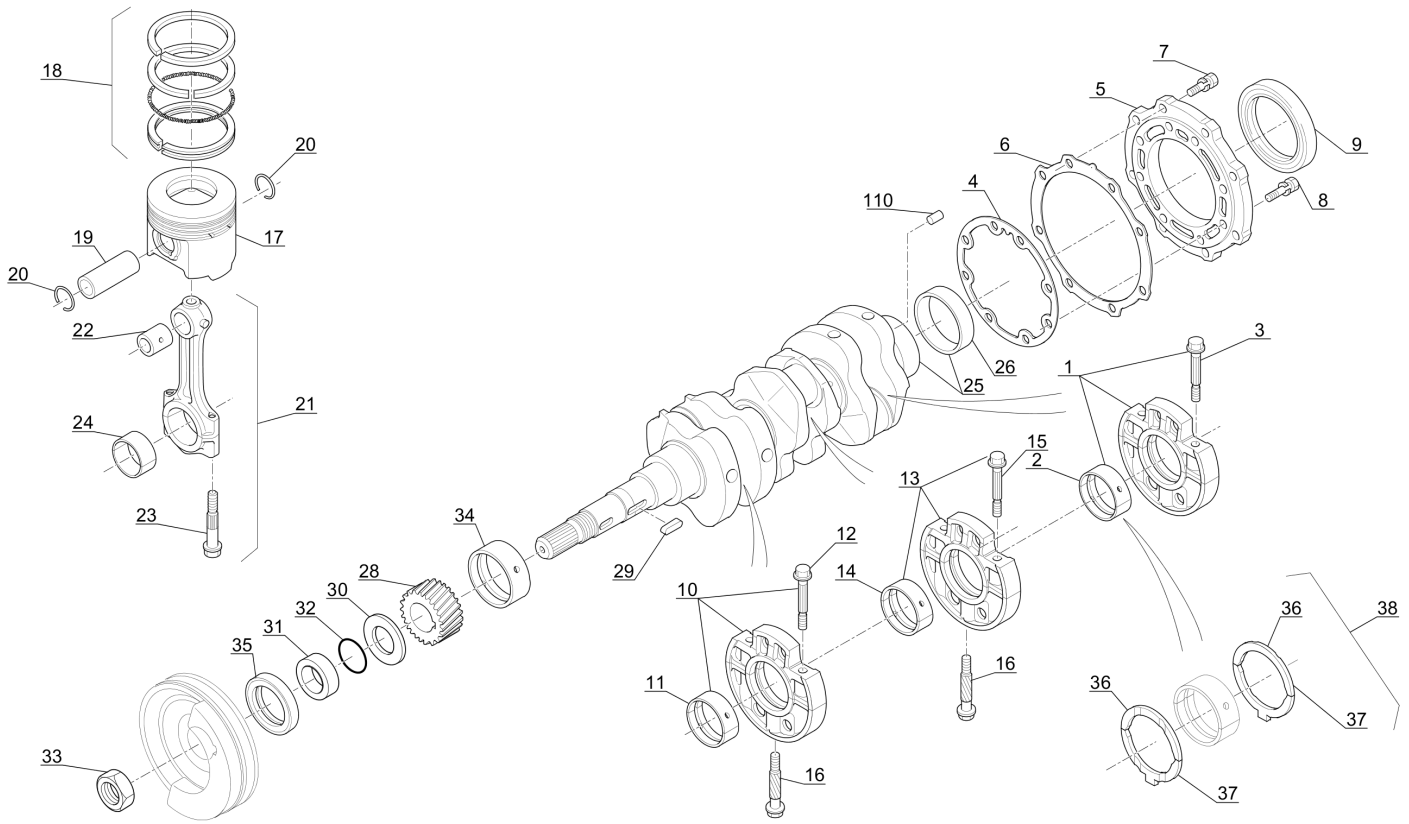
Item	Part No.	Name	Characteristics	Qty	Superseded PartNumber	Machine applicability
1	52579892	Steering cylinder		1		MSI 35 D K ST3A S5, MSI 25 D K ST3A S5, MSI 30 D K ST3A S5
2	944194	Spacer		2		MSI 35 D K ST3A S5, MSI 25 D K ST3A S5, MSI 30 D K ST3A S5
3	944192	Cylinder rod		1		MSI 35 D K ST3A S5, MSI 25 D K ST3A S5, MSI 30 D K ST3A S5
4	52609788	Cylinder body		1		MSI 35 D K ST3A S5, MSI 25 D K ST3A S5, MSI 30 D K ST3A S5
5	944193	Guide ring		2		MSI 35 D K ST3A S5, MSI 25 D K ST3A S5, MSI 30 D K ST3A S5
6	944202	Seal kit		1		MSI 35 D K ST3A S5, MSI 25 D K ST3A S5, MSI 30 D K ST3A S5

Item	Part No.	Name	Characteristics	Qty	Superseded PartNumber	Machine applicability
1	944935	Plate		1		
2	52690651	Bearing		1		
3	52664145	Flange		3		
4	944937	Pipe		1		
5	941352	Clamp		2		
6	749581	Screw		2		
7	941368	Clamp		2		
8	706786	Screw		3		
9	52690653	Clamp		1		
10	52690656	Tube		1		
11	52690658	Pipe		1		
12	823676	Clamp		1		
13	823454	Clamp		1		
14	749249	Pipe		1		
15	944941	Tube		1		
16	52690660	Tube		1		
17	52690661	Pipe		1		
18	823676	Clamp		1		
19	940637	Clamp		1		
20	944944	Tube		1		
21	944945	Tube		1		
22	944870	Cover assembly		1		
23	941361	Plug		1		
24	747948	O ring		2		
25	944871	Spacer		1		
26	706269	Connection		1		
27	941363	Screw		4		
28	940449	Washer		4		
29	944872	Cylinder head gasket		1		
30	706774	Screw		8		
31	565130	Engine oil filler cap		1		
32	823455	O ring		1		
33	940867	Breather filter		1		
34	940868	O ring		1		

Item	Part No.	Name	Characteristics	Qty	Superseded PartNumber	Machine applicability
1	964322	Alternator		1		
2	794939	Tensioner		1		
3	940473	Screw		1		
4	52689945	Screw		1		
5	565148	Nut		1		
6	942369	Spring washer		1		
7	52689947	Fan pulley		1		
8	823502	Key		1		
9	52689949	Alternator belt		1		

Item	Part No.	Name	Characteristics	Qty	Superseded PartNumber	Machine applicability
5	52690637	Temperature sensor		1		
6	941456	Temperature sensor		1		
7	941455	Temperature sensor		1		
8	940851	Sensor		1		
9	940856	Clamp		1		
10	52690643	Pipe		1		
11	52690645	Pipe		1		
12	940856	Clamp		2		
13	52690642	Pipe		2		
14	52631315	Clamp		1		

AK880 Ref: 52632606 Type: D1803-CR - TE5B - MN	PISTONS - BIELLES - VILEBREQUIN KOLBEN - PLEUELSTANGE - KURBELWELLE PISTONES - BIELAS - CIGUENAL PISTONS - CONNECTING RODS - CRANK SHAFT PISTONI - BIELLE - ALBERO A MANOVELLA	52632606mo
52632606mo	25/02/2020	



Item	Part No.	Name	Characteristics	Qty	Superseded PartNumber	Machine applicability
0	52596939	Fuel tank		0		MC 25-4 D K ST5 S1, MC 30-4 D K ST5 S1, MC 30-2 D K ST5 S1, MC 25-2 D K ST5 S1
1	52596939	Fuel tank		1		MC 25-4 D K ST5 S1, MC 30-4 D K ST5 S1, MC 30-2 D K ST5 S1, MC 25-2 D K ST5 S1
2	58546	Screw	HM12	1		MC 25-4 D K ST5 S1, MSI 35 D K ST5 S1, MC 30-4 D K ST5 S1, MC 30-2 D K ST5 S1, MSI 25 D K ST5 S1, MSI 30 D K ST5 S1, MC 25-2 D K ST5 S1
3	44026	Washer		2		MC 25-4 D K ST5 S1, MSI 35 D K ST5 S1, MC 30-4 D K ST5 S1, MC 30-2 D K ST5 S1, MSI 25 D K ST5 S1, MSI 30 D K ST5 S1, MC 25-2 D K ST5 S1
4	58548	Nut	M12	1		MC 25-4 D K ST5 S1, MSI 35 D K ST5 S1, MC 30-4 D K ST5 S1, MC 30-2 D K ST5 S1, MSI 25 D K ST5 S1, MSI 30 D K ST5 S1, MC 25-2 D K ST5 S1
5	52572704	Seal		1		MC 25-4 D K ST5 S1, MSI 35 D K ST5 S1, MC 30-4 D K ST5 S1, MC 30-2 D K ST5 S1, MSI 25 D K ST5 S1, MSI 30 D K ST5 S1, MC 25-2 D K ST5 S1
6	189535	Plug		1		MC 25-4 D K ST5 S1, MSI 35 D K ST5 S1, MC 30-4 D K ST5 S1, MC 30-2 D K ST5 S1, MSI 25 D K ST5 S1, MSI 30 D K ST5 S1, MC 25-2 D K ST5 S1
7	58546	Screw	HM12	1		MC 25-4 D K ST5 S1, MSI 35 D K ST5 S1, MC 30-4 D K ST5 S1, MC 30-2 D K ST5 S1, MSI 25 D K ST5 S1, MSI 30 D K ST5 S1, MC 25-2 D K ST5 S1
8	44026	Washer		2		MC 25-4 D K ST5 S1, MSI 35 D K ST5 S1, MC 30-4 D K ST5 S1, MC 30-2 D K ST5 S1, MSI 25 D K ST5 S1, MSI 30 D K ST5 S1, MC 25-2 D K ST5 S1
9	479218	Clamp		1		MC 25-4 D K ST5 S1, MSI 35 D K ST5 S1, MC 30-4 D K ST5 S1, MC 30-2 D K ST5 S1, MSI 25 D K ST5 S1, MSI 30 D K ST5 S1, MC 25-2 D K ST5 S1
10	52552587	Connection		1		MC 25-4 D K ST5 S1, MSI 35 D K ST5 S1, MC 30-4 D K ST5 S1, MC 30-2 D K ST5 S1, MSI 25 D K ST5 S1, MSI 30 D K ST5 S1, MC 25-2 D K ST5 S1
11	52552587	Connection		1		MC 25-4 D K ST5 S1, MSI 35 D K ST5 S1, MC 30-4 D K ST5 S1, MC 30-2 D K ST5 S1, MSI 25 D K ST5 S1, MSI 30 D K ST5 S1, MC 25-2 D K ST5 S1
12	479218	Clamp		1		MC 25-4 D K ST5 S1, MSI 35 D K ST5 S1, MC 30-4 D K ST5 S1, MC 30-2 D K ST5 S1, MSI 25 D K ST5 S1, MSI 30 D K ST5 S1, MC 25-2 D K ST5 S1
13	63547	Screw	HM12	2		MC 25-4 D K ST5 S1, MSI 35 D K ST5 S1, MC 30-4 D K ST5 S1, MC 30-2 D K ST5 S1, MSI 25 D K ST5 S1, MSI 30 D K ST5 S1, MC 25-2 D K ST5 S1
14	44026	Washer		2		MC 25-4 D K ST5 S1, MSI 35 D K ST5 S1, MC 30-4 D K ST5 S1, MC 30-2 D K ST5 S1, MSI 25 D K ST5 S1, MSI 30 D K ST5 S1, MC 25-2 D K ST5 S1
15	52666182	Bracket		1		MC 25-4 D K ST5 S1, MSI 35 D K ST5 S1, MC 30-4 D K ST5 S1, MC 30-2 D K ST5 S1, MSI 25 D K ST5 S1, MSI 30 D K ST5 S1, MC 25-2 D K ST5 S1

CLICK HERE TO **DOWNLOAD** THE COMPLETE MANUAL

- Thank you very much for reading the preview of the manual.
- You can download the complete manual from: www.heydownloads.com by clicking the link below



- Please note: If there is no response to CLICKING the link, please download this PDF first and then click on it.

CLICK HERE TO **DOWNLOAD** THE COMPLETE MANUAL

Item	Part No.	Name	Characteristics	Qty	Superseded PartNumber	Machine applicability
17	61323	Screw	HM8	2		MC 25-4 D K ST5 S1, MSI 35 D K ST5 S1, MC 30-4 D K ST5 S1, MC 30-2 D K ST5 S1, MSI 25 D K ST5 S1, MSI 30 D K ST5 S1, MC 25-2 D K ST5 S1
18	44025	Washer		4		MC 25-4 D K ST5 S1, MSI 35 D K ST5 S1, MC 30-4 D K ST5 S1, MC 30-2 D K ST5 S1, MSI 25 D K ST5 S1, MSI 30 D K ST5 S1, MC 25-2 D K ST5 S1
19	202118	Cable grommet		1		MC 25-4 D K ST5 S1, MSI 35 D K ST5 S1, MC 30-4 D K ST5 S1, MC 30-2 D K ST5 S1, MSI 25 D K ST5 S1, MSI 30 D K ST5 S1, MC 25-2 D K ST5 S1
20	479809	Tube		2		MC 25-4 D K ST5 S1, MSI 35 D K ST5 S1, MC 30-4 D K ST5 S1, MC 30-2 D K ST5 S1, MSI 25 D K ST5 S1, MSI 30 D K ST5 S1, MC 25-2 D K ST5 S1
21	52560867	BRACKET		1		MC 25-4 D K ST5 S1, MSI 35 D K ST5 S1, MC 30-4 D K ST5 S1, MC 30-2 D K ST5 S1, MSI 25 D K ST5 S1, MSI 30 D K ST5 S1, MC 25-2 D K ST5 S1
22	52560881	BRACKET		1		MC 25-4 D K ST5 S1, MSI 35 D K ST5 S1, MC 30-4 D K ST5 S1, MC 30-2 D K ST5 S1, MSI 25 D K ST5 S1, MSI 30 D K ST5 S1, MC 25-2 D K ST5 S1
23	42347	Screw	HM8	2		MC 25-4 D K ST5 S1, MSI 35 D K ST5 S1, MC 30-4 D K ST5 S1, MC 30-2 D K ST5 S1, MSI 25 D K ST5 S1, MSI 30 D K ST5 S1, MC 25-2 D K ST5 S1
24	63351	Washer	M8	4		MC 25-4 D K ST5 S1, MSI 35 D K ST5 S1, MC 30-4 D K ST5 S1, MC 30-2 D K ST5 S1, MSI 25 D K ST5 S1, MSI 30 D K ST5 S1, MC 25-2 D K ST5 S1
25	87535	Nut	M8	2		MC 25-4 D K ST5 S1, MSI 35 D K ST5 S1, MC 30-4 D K ST5 S1, MC 30-2 D K ST5 S1, MSI 25 D K ST5 S1, MSI 30 D K ST5 S1, MC 25-2 D K ST5 S1
26	52666851	Hose	L650	1		MC 25-4 D K ST5 S1, MSI 35 D K ST5 S1, MC 30-4 D K ST5 S1, MC 30-2 D K ST5 S1, MSI 25 D K ST5 S1, MSI 30 D K ST5 S1, MC 25-2 D K ST5 S1
27	52666792	Hose		1		MC 25-4 D K ST5 S1, MSI 35 D K ST5 S1, MC 30-4 D K ST5 S1, MC 30-2 D K ST5 S1, MSI 25 D K ST5 S1, MSI 30 D K ST5 S1, MC 25-2 D K ST5 S1
28	218468	Clamp		2		MC 25-4 D K ST5 S1, MSI 35 D K ST5 S1, MC 30-4 D K ST5 S1, MC 30-2 D K ST5 S1, MSI 25 D K ST5 S1, MSI 30 D K ST5 S1, MC 25-2 D K ST5 S1
29	52510366	Expansion tank		1		MC 25-4 D K ST5 S1, MSI 35 D K ST5 S1, MC 30-4 D K ST5 S1, MC 30-2 D K ST5 S1, MSI 25 D K ST5 S1, MSI 30 D K ST5 S1, MC 25-2 D K ST5 S1
30	52666800	Hose		1		MC 25-4 D K ST5 S1, MSI 35 D K ST5 S1, MC 30-4 D K ST5 S1, MC 30-2 D K ST5 S1, MSI 25 D K ST5 S1, MSI 30 D K ST5 S1, MC 25-2 D K ST5 S1
32	256242	Clamp		1		MC 25-4 D K ST5 S1, MSI 35 D K ST5 S1, MC 30-4 D K ST5 S1, MC 30-2 D K ST5 S1, MSI 25 D K ST5 S1, MSI 30 D K ST5 S1, MC 25-2 D K ST5 S1
33	195627	Clamp		1		MC 25-4 D K ST5 S1, MSI 35 D K ST5 S1, MC 30-4 D K ST5 S1, MC 30-2 D K ST5 S1, MSI 25 D K ST5 S1, MSI 30 D K ST5 S1, MC 25-2 D K ST5 S1

Item	Part No.	Name	Characteristics	Qty	Superseded PartNumber	Machine applicability
39	944691	Screw		9		
40	944694	Washer		9		
41	768010	Nut		6		

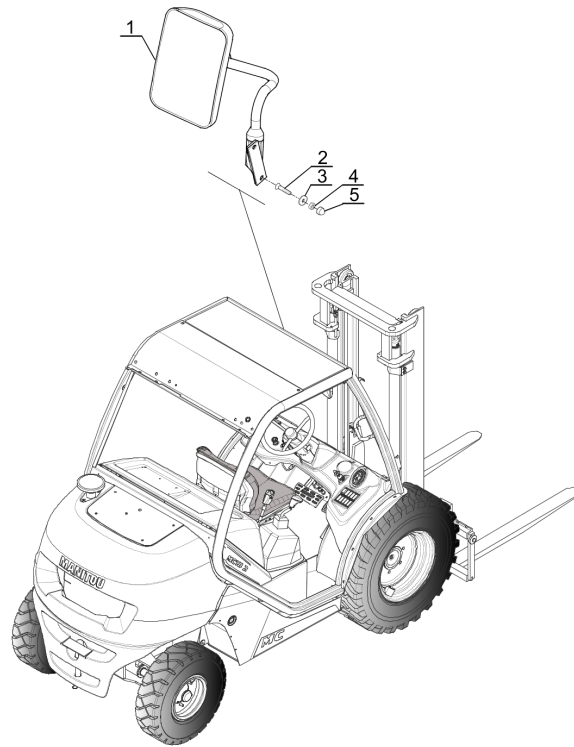
Item	Part No.	Name	Characteristics	Qty	Superseded PartNumber	Machine applicability
1	52546948	Front dashboard		1		MC 25-4 D K ST5 S1, MSI 35 D K ST5 S1, MC 30-4 D K ST5 S1, MC 30-2 D K ST5 S1, MSI 25 D K ST5 S1, MSI 30 D K ST5 S1, MC 25-2 D K ST5 S1
2	61674	null	M8	1		MC 25-4 D K ST5 S1, MSI 35 D K ST5 S1, MC 30-4 D K ST5 S1, MC 30-2 D K ST5 S1, MSI 25 D K ST5 S1, MSI 30 D K ST5 S1, MC 25-2 D K ST5 S1
3	189857	Washer	M6	4		MC 25-4 D K ST5 S1, MSI 35 D K ST5 S1, MC 30-4 D K ST5 S1, MC 30-2 D K ST5 S1, MSI 25 D K ST5 S1, MSI 30 D K ST5 S1, MC 25-2 D K ST5 S1
4	42347	Screw	HM8	2		MC 25-4 D K ST5 S1, MSI 35 D K ST5 S1, MC 30-4 D K ST5 S1, MC 30-2 D K ST5 S1, MSI 25 D K ST5 S1, MSI 30 D K ST5 S1, MC 25-2 D K ST5 S1
5	29468	Washer	L8	3		MC 25-4 D K ST5 S1, MSI 35 D K ST5 S1, MC 30-4 D K ST5 S1, MC 30-2 D K ST5 S1, MSI 25 D K ST5 S1, MSI 30 D K ST5 S1, MC 25-2 D K ST5 S1
6	42347	Screw	HM8	2		MC 25-4 D K ST5 S1, MSI 35 D K ST5 S1, MC 30-4 D K ST5 S1, MC 30-2 D K ST5 S1, MSI 25 D K ST5 S1, MSI 30 D K ST5 S1, MC 25-2 D K ST5 S1
7	52666002	Bracket		1		MC 25-4 D K ST5 S1, MSI 35 D K ST5 S1, MC 30-4 D K ST5 S1, MC 30-2 D K ST5 S1, MSI 25 D K ST5 S1, MSI 30 D K ST5 S1, MC 25-2 D K ST5 S1
8	52575182	Lug		1		MC 25-4 D K ST5 S1, MSI 35 D K ST5 S1, MC 30-4 D K ST5 S1, MC 30-2 D K ST5 S1, MSI 25 D K ST5 S1, MSI 30 D K ST5 S1, MC 25-2 D K ST5 S1
9	233028	TBD_SBOM		1		MC 25-4 D K ST5 S1, MSI 35 D K ST5 S1, MC 30-4 D K ST5 S1, MC 30-2 D K ST5 S1, MSI 25 D K ST5 S1, MSI 30 D K ST5 S1, MC 25-2 D K ST5 S1
10	233027	Screw		1		MC 25-4 D K ST5 S1, MSI 35 D K ST5 S1, MC 30-4 D K ST5 S1, MC 30-2 D K ST5 S1, MSI 25 D K ST5 S1, MSI 30 D K ST5 S1, MC 25-2 D K ST5 S1
12	198138	Black washer	L6	2		MC 25-4 D K ST5 S1, MSI 35 D K ST5 S1, MC 30-4 D K ST5 S1, MC 30-2 D K ST5 S1, MSI 25 D K ST5 S1, MSI 30 D K ST5 S1, MC 25-2 D K ST5 S1
13	162229	Nut	M6	2		MC 25-4 D K ST5 S1, MSI 35 D K ST5 S1, MC 30-4 D K ST5 S1, MC 30-2 D K ST5 S1, MSI 25 D K ST5 S1, MSI 30 D K ST5 S1, MC 25-2 D K ST5 S1
14	52653267	Cowling		1		MC 25-4 D K ST5 S1, MSI 35 D K ST5 S1, MC 30-4 D K ST5 S1, MC 30-2 D K ST5 S1, MSI 25 D K ST5 S1, MSI 30 D K ST5 S1, MC 25-2 D K ST5 S1
15	198433	Screw	M10	4		MC 25-4 D K ST5 S1, MSI 35 D K ST5 S1, MC 30-4 D K ST5 S1, MC 30-2 D K ST5 S1, MSI 25 D K ST5 S1, MSI 30 D K ST5 S1, MC 25-2 D K ST5 S1
16	217556	Washer		4		MC 25-4 D K ST5 S1, MSI 35 D K ST5 S1, MC 30-4 D K ST5 S1, MC 30-2 D K ST5 S1, MSI 25 D K ST5 S1, MSI 30 D K ST5 S1, MC 25-2 D K ST5 S1
17	189172	Screw	M6	4		MC 25-4 D K ST5 S1, MSI 35 D K ST5 S1, MC 30-4 D K ST5 S1, MC 30-2 D K ST5 S1, MSI 25 D K ST5 S1, MSI 30 D K ST5 S1, MC 25-2 D K ST5 S1

Item	Part No.	Name	Characteristics	Qty	Superseded PartNumber	Machine applicability
43	190017	O ring		1		MSI 35 D K ST5 S1, MC 30-2 D K ST5 S1, MSI 25 D K ST5 S1, MSI 30 D K ST5 S1, MC 25-2 D K ST5 S1
44	184787	Watertight seal		1		MSI 35 D K ST5 S1, MC 30-2 D K ST5 S1, MSI 25 D K ST5 S1, MSI 30 D K ST5 S1, MC 25-2 D K ST5 S1
45	190877	Watertight seal		1		MSI 35 D K ST5 S1, MC 30-2 D K ST5 S1, MSI 25 D K ST5 S1, MSI 30 D K ST5 S1, MC 25-2 D K ST5 S1
46	177588	O ring		1		MSI 35 D K ST5 S1, MC 30-2 D K ST5 S1, MSI 25 D K ST5 S1, MSI 30 D K ST5 S1, MC 25-2 D K ST5 S1
47	190878	Watertight seal		1		MSI 35 D K ST5 S1, MC 30-2 D K ST5 S1, MSI 25 D K ST5 S1, MSI 30 D K ST5 S1, MC 25-2 D K ST5 S1
48	270162	Screw	HM8	2		MSI 35 D K ST5 S1, MC 30-2 D K ST5 S1, MSI 25 D K ST5 S1, MSI 30 D K ST5 S1, MC 25-2 D K ST5 S1
50	594484	Brake release hydraulic block		1		MSI 35 D K ST5 S1, MC 30-2 D K ST5 S1, MSI 25 D K ST5 S1, MSI 30 D K ST5 S1, MC 25-2 D K ST5 S1
51	52542496	Screw	M8	2		MSI 35 D K ST5 S1, MC 30-2 D K ST5 S1, MSI 25 D K ST5 S1, MSI 30 D K ST5 S1, MC 25-2 D K ST5 S1
52	202288	Union		2		MSI 35 D K ST5 S1, MC 30-2 D K ST5 S1, MSI 25 D K ST5 S1, MSI 30 D K ST5 S1, MC 25-2 D K ST5 S1
54	228216	pipe fitting		1		MSI 35 D K ST5 S1, MC 30-2 D K ST5 S1, MSI 25 D K ST5 S1, MSI 30 D K ST5 S1, MC 25-2 D K ST5 S1
55	203240	Notched elbow connector		2		MSI 35 D K ST5 S1, MC 30-2 D K ST5 S1, MSI 25 D K ST5 S1, MSI 30 D K ST5 S1, MC 25-2 D K ST5 S1
56	203512	Clamp		2		MSI 35 D K ST5 S1, MC 30-2 D K ST5 S1, MSI 25 D K ST5 S1, MSI 30 D K ST5 S1, MC 25-2 D K ST5 S1
57	213402	Extension connector		1		MSI 35 D K ST5 S1, MC 30-2 D K ST5 S1, MSI 25 D K ST5 S1, MSI 30 D K ST5 S1, MC 25-2 D K ST5 S1
58	497922	Elbow connector adaptor		1		MSI 35 D K ST5 S1, MC 30-2 D K ST5 S1, MSI 25 D K ST5 S1, MSI 30 D K ST5 S1, MC 25-2 D K ST5 S1
59	210960	Hose	L750	1		MSI 35 D K ST5 S1, MC 30-2 D K ST5 S1, MSI 25 D K ST5 S1, MSI 30 D K ST5 S1, MC 25-2 D K ST5 S1
60	190442	Adaptor T-connector		1		MSI 35 D K ST5 S1, MC 30-2 D K ST5 S1, MSI 25 D K ST5 S1, MSI 30 D K ST5 S1, MC 25-2 D K ST5 S1
61	231721	pipe fitting		1		MSI 35 D K ST5 S1, MC 30-2 D K ST5 S1, MSI 25 D K ST5 S1, MSI 30 D K ST5 S1, MC 25-2 D K ST5 S1
63	219457	O ring		1		MSI 35 D K ST5 S1, MC 30-2 D K ST5 S1, MSI 25 D K ST5 S1, MSI 30 D K ST5 S1, MC 25-2 D K ST5 S1
65	295847	Plug		2		MSI 35 D K ST5 S1, MC 30-2 D K ST5 S1, MSI 25 D K ST5 S1, MSI 30 D K ST5 S1, MC 25-2 D K ST5 S1

Item	Part No.	Name	Characteristics	Qty	Superseded PartNumber	Machine applicability
0	52104685	Key filler cap kit		1		
1	207840	Fuel filler cap		1		

OUTER REARVIEW MIRROR

<p>9 AA 1239</p>	<p>RETROVISEUR EXTERIEUR RETROVISOR EXTERIOR RETROVISORE ESTERIORE AUSSEN RUCKBLICKSPIEGEL OUTER REARVIEW MIRROR</p>	<p>52585861MO</p>
<p>52585861MO</p>	<p>11/06/2020</p>	



Item	Part No.	Name	Characteristics	Qty	Superseded PartNumber	Machine applicability
0	52669897	Front working light		1		
1	52647303	Switch		1		
2	459652	Clamp		1		
3	250606	Fuse 3A		1		
4	52557022	LED working light		2		
5	52642813	Bulkhead connector		2		

Item	Part No.	Name	Characteristics	Qty	Superseded PartNumber	Machine applicability
0	52623543	Reversing sound alarm		1		
1	292116	Reversing sound alarm		1		
2	46668	Screw	HM6	2		
3	174132	Washer	M6	2		
4	25714	Nut	M6	2		
5	552459	Female connector	2 PINS	1		
6	552472	null		2		
7	21979	Clamp		1		

Item	Part No.	Name	Characteristics	Qty	Superseded PartNumber	Machine applicability
0	52669900	Headlight		1		
1	52556740	Support		1		
2	52556740	Support		1		
3	52556741	Headlight		1		
4	52556741	Headlight		1		
5	52557366	Screw		4		
6	293803	Screw	M6	4		
7	459652	Clamp		1		
8	52557480	Indicator light unit		1		
9	250606	Fuse 3A		1		
10	225184	Fuse 5A	5A	4		
11	225185	Fuse 7.5A	7,5A	1		
12	225186	Fuse 10A	10A	2		
13	225187	Fuse 15A	15A	1		
14	203569	Stop switch		1		
15	161008	Screw	HM5	2		
16	192310	Washer	M5	2		
17	269186	Support		1		
18	52555545	Switch		1		
21	265417	Complete right-hand front headlight UK	-	1		
22	265415	Complete right-hand front headlight	-	1		
23	747041	Bulb		1		
24	747039	Front indicator light		1		
25	747043	Bulb		1		
26	747045	Right-hand front headlight		1		
27	747038	Right-hand front headlight		1		
28	747040	Bulb		1		
29	747042	Bulb		1		
30	52557471	Wiring harness (lighting)		1		
31	265418	Complete left-hand front headlight UK	-	1		
32	265416	Complete left-hand front headlight	-	1		
33	747044	Left-hand front headlight		1		
34	747046	Left-hand front headlight		1		
35	747041	Bulb		1		
36	747040	Bulb		1		
37	747042	Bulb		1		

Item	Part No.	Name	Characteristics	Qty	Superseded PartNumber	Machine applicability
0	52671945	Rotating beacon light		1		
1	52581312	Flashing light		1		
2	52555950	Wiring harness		1		
3	239931	Electric power socket		1		
4	52564857	Sticker		1		
5	225184	Fuse 5A	5A	1		
6	52647302	Switch		1		

GRILLE DE PROTECTION
SCHUTZGITTER
REJILLA DE PROTECCION
PROTECTION GRID
GRIGLIA DI PROTEZIONE

Item	Part No.	Name	Characteristics	Qty	Superseded PartNumber	Machine applicability
0	521046680 PT	Seat kit		1		
1	73208	Screw	M8	3		
2	208524	Washer	Z8	3		
3	261148	Stop		1		
4	202144	Screw	M8	1		
5	473079	Fuse 20A		1		
6	52589200	Wiring harness		1		
7	52565693	Complete seat		1		
8	208524	Washer	Z8	1		

CLICK HERE TO **DOWNLOAD** THE COMPLETE MANUAL

- Thank you very much for reading the preview of the manual.
- You can download the complete manual from: www.heydownloads.com by clicking the link below



- Please note: If there is no response to CLICKING the link, please download this PDF first and then click on it.

CLICK HERE TO **DOWNLOAD** THE COMPLETE MANUAL