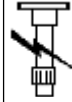
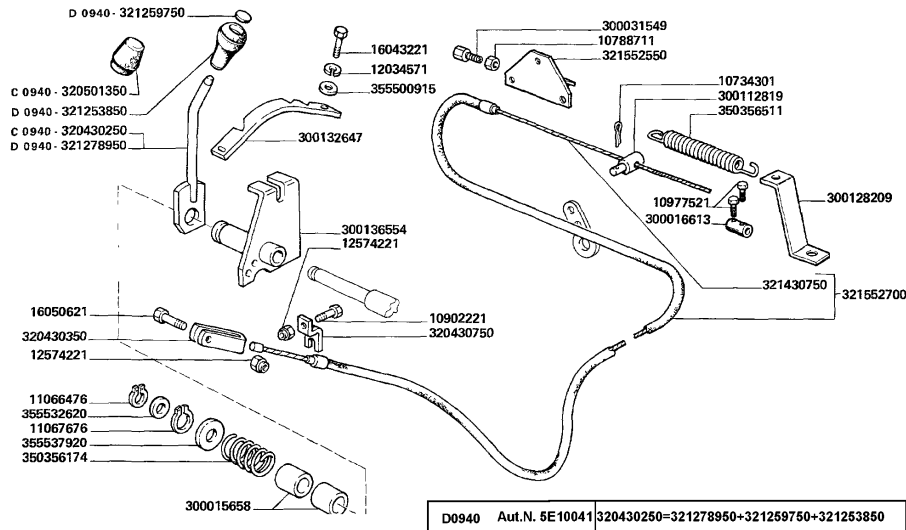


Drive's platform

MTB "MX" MX 240



ENGINE THROTTLE



- 10734301
 - 10788711
 - 10902221
 - 10977521
 - 11066476
 - 11067676
 - 12034571
 - 12574221
 - 16043221
 - 16050621
 - 300015658
 - 300016613
 - 300031549
 - 300112819
 - 300128209
 - 300132647
 - 300136554
 - 320430250
 - 320430350
 - 320430750
 - 320501350
 - 321253850
 - 321259750
 - 321278950
 - 321430750
 - 321552550
 - 321552700
 - 350356174
 - 350356511
 - 355500915
- 000107887140 (1)
 - 003212538500 (1)
 - 003212597500 (1)
 - 003212789500 (1)
- 1 LINCH PIN
 - 1 NUT
 - 1 SCREW
 - 2 SCREW
 - 1 SPRING LOC
 - 1 SPRING LOC
 - 2 LOCK WASHE
 - 2 NUT
 - 2 SCREW
 - 1 SCREW
 - 2 BUSH
 - 1 CONNECTOR
 - 1 SCREW
 - 1 SUPPORT
 - 1 BRACKET, S
 - 1 SECTOR
 - 1 SUPPORT
 - 1 REPLACE
 - 1 BRIDLE
 - 1 BRACKET, S
 - 1 KNOB
 - 1 HANDLE GRI
 - 1 PLUG
 - 1 LEVER
 - 1 ROPE
 - 1 STIRRUP
 - 1 CABLE
 - 1 SPRING
 - 1 SPRING
 - 2 WASHER

CLICK HERE TO **DOWNLOAD** THE COMPLETE MANUAL

- Thank you very much for reading the preview of the manual.
- You can download the complete manual from: www.heydownloads.com by clicking the link below

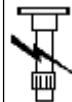


- Please note: If there is no response to CLICKING the link, please download this PDF first and then click on it.

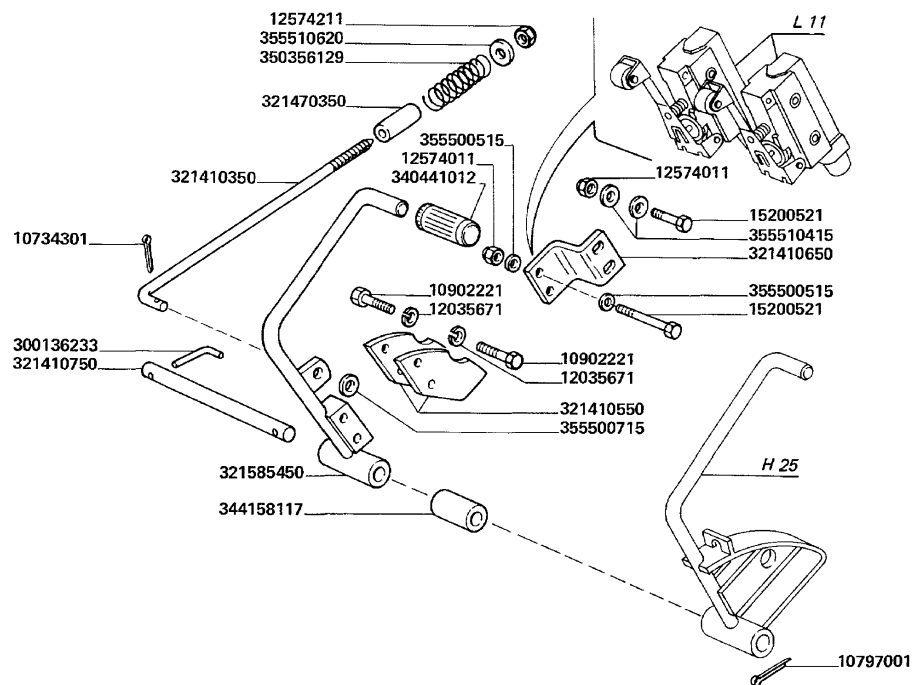
CLICK HERE TO **DOWNLOAD** THE COMPLETE MANUAL

Drive's platform

MTB "MX" MX 240



ELETRIC CONTROLS SWITCH

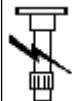


- | | |
|-----------|--------------|
| 10734301 | 1 LINCH PIN |
| 10797001 | 1 LINCH PIN |
| 10902221 | 4 SCREW |
| 12035671 | 4 LOCK WASHE |
| 12574011 | 4 NUT |
| 12574211 | 1 NUT |
| 15200521 | 4 SCREW |
| 300136233 | 1 DOWEL |
| 321410350 | 1 TIE ROD |
| 321410550 | 2 SECTOR |
| 321410650 | 1 BRACKET, S |
| 321410750 | 1 PIN |
| 321470350 | 1 BUSH |
| 321585450 | 1 PEDAL |
| 340441012 | 1 PAD,RUBBER |
| 344158117 | 1 BUSH |
| 350356129 | 1 SPRING |
| 355500515 | 4 WASHER |
| 355500715 | 1 WASHER |
| 355510415 | 4 WASHER |
| 355510620 | 1 WASHER |

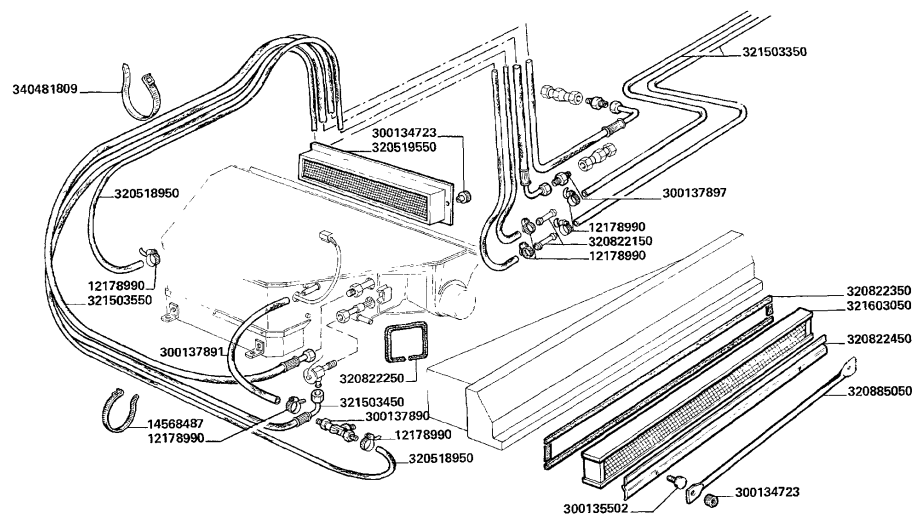
● 003555106150 (1)

Drive's platform

MTB "MX" MX 240



CABINE ELEMENTS

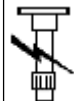


- 12178990
- 14568487
- 300134723
- 300135502
- 300137890
- 300137891
- 300137897
- 320518950
- 320519550
- 320822150
- 320822250
- 320822350
- 320822450
- 320885050
- 321503350
- 321503450
- 321503550
- 321603050
- 340481809
- 7 COLLAR
- 2 CLAMP
- 4 KNOB
- 2 KNOB
- 1 DRAINCOCK/
- 1 HOSE
- 1 UNION
- 2 HOSE
- 1 ELEMENT, A
- 1 STANDPIPE
- 1 EXTRUSION
- 1 EXTRUSION
- 1 EXTRUSION
- 1 ROD
- 2 HOSE
- 1 HOSE
- 1 HOSE
- 1 ELEMENT, A
- 1 CLAMP

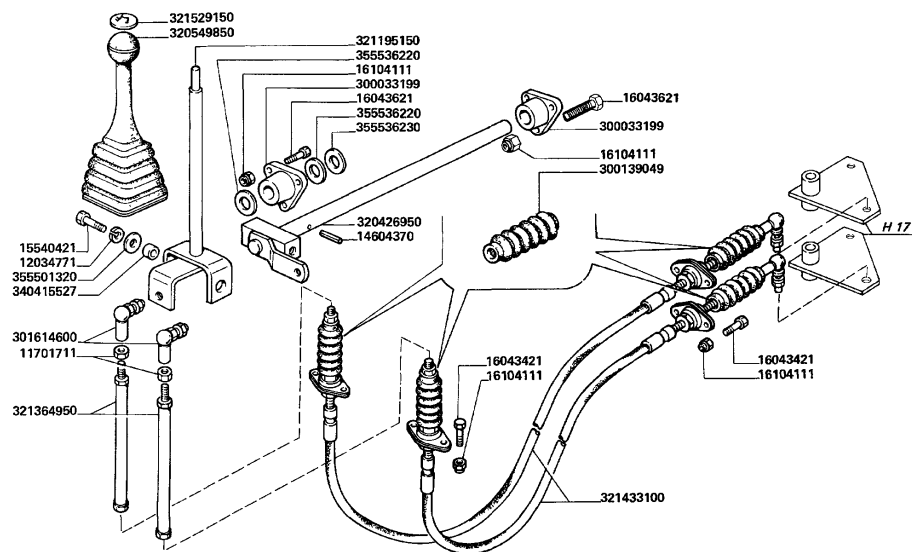
● 003217263500 (1)

Drive's platform

MTB "MX" MX 240



SHIFT LEVER



- 11701711
- 12034771
- 14604370
- 15540421
- 16043421
- 16043621
- 16104111
- 300033199
- 300139049
- 301614600
- 320426950
- 320549850

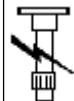
- 003233022500 (1)
- 003233021500 (1)
- 003233025500 (1)

- 321195150
- 321364950
- 321433100
- 321529150
- 340415527
- 355501320
- 355536220
- 355536230

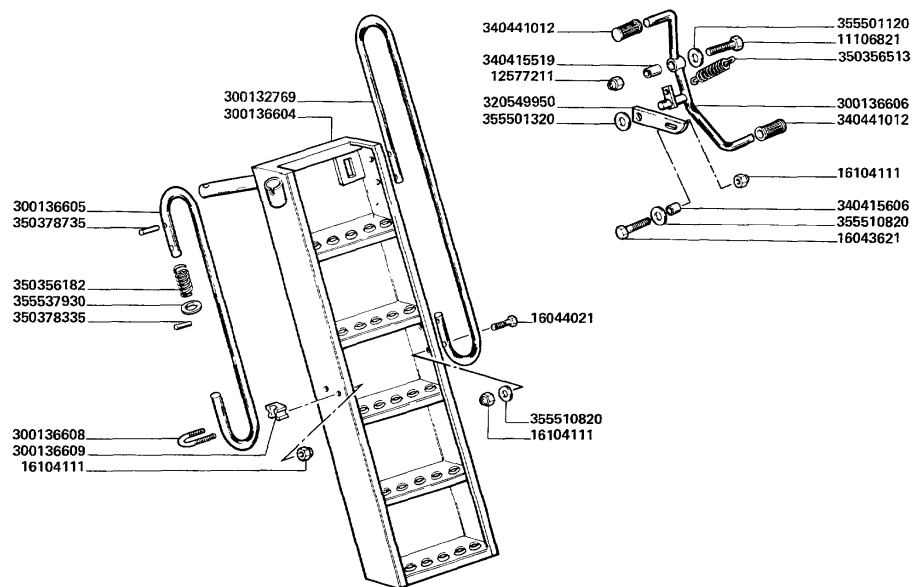
- 2 NUT
- 2 LOCK WASHER
- 1 PLUG
- 2 SCREW
- 8 SCREW
- 6 SCREW
- 8 NUT
- 2 SUPPORT
- 1 SLEEVE
- 2 BALL JOINT
- 1 SHAFT
- 1 HANDLE GRI
- 1 LEVER CHAN
- 2 EXTENSION
- 2 CABLE
- 1 PLAQUE, DA
- 2 BUSH
- 2 WASHER
- 2 WASHER
- 1 WASHER

Drive's platform

MTB "MX" MX 240



PLATAFORM LADDER



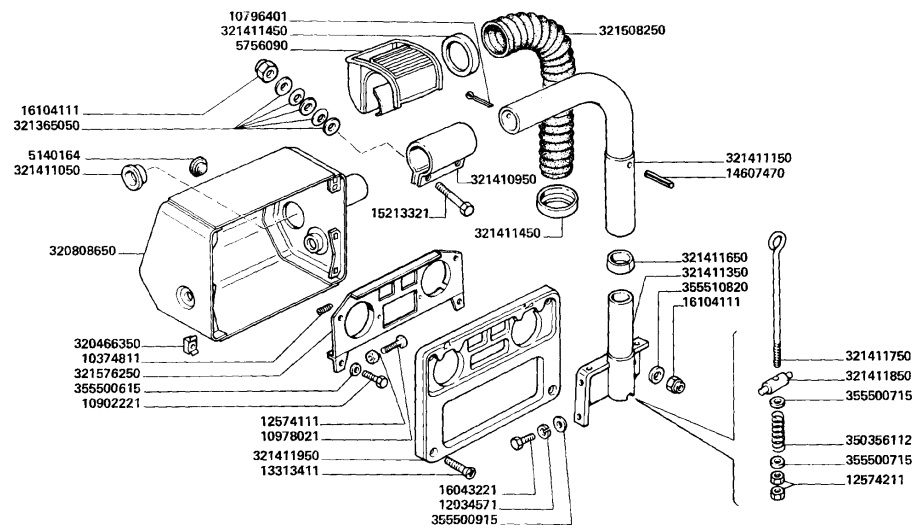
- | | | | |
|-----------|--------------------|---|------------|
| 11106821 | | 1 | SCREW |
| 12577211 | | 1 | NUT |
| 16043621 | | 1 | SCREW |
| 16044021 | | 4 | SCREW |
| 16104111 | | 7 | NUT |
| 300132769 | | 1 | SHIELD |
| 300136604 | | 1 | LADDER |
| 300136605 | ● 003212936500 (1) | 1 | SHIELD |
| 300136606 | | 1 | PEDAL |
| 300136608 | ● 003212933500 (1) | 1 | BRIDLE |
| 300136609 | | 1 | SUPPORT |
| 320549950 | | 1 | BLADE CUTT |
| 340415519 | | 1 | BUSH |
| 340415606 | | 1 | BUSH |
| 340441012 | | 2 | PAD,RUBBER |
| 350356182 | | 1 | SPRING |
| 350356513 | | 1 | SPRING |
| 350378335 | | 1 | PLUG |
| 350378735 | | 1 | PLUG |
| 355501120 | | 1 | WASHER |
| 355501320 | | 1 | WASHER |
| 355510820 | | 5 | WASHER |
| 355537930 | | 1 | WASHER |

Drive's platform

MTB "MX" MX 240



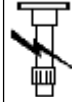
SATELLITE



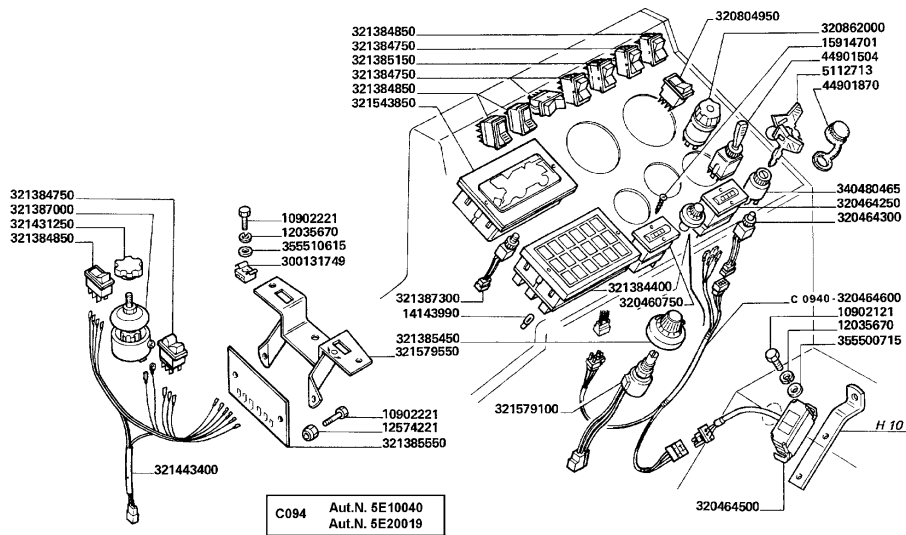
- 10374811 ● 000103748010 (2) 2 SCREW
- 10796401 1 LINCH PIN
- 10902221 4 SCREW
- 10978021 ● 000109780240 (2) 2 SCREW
- 12034571 4 LOCK WASHE
- 12574111 2 NUT
- 12574211 2 NUT
- 13313411 4 SCREW
- 14607470 1 PLUG
- 15213321 2 SCREW
- 16043221 4 SCREW
- 16104111 3 NUT
- 320466350 4 NUT
- 320808650 1 BOX
- 321365050 10 SPRING
- 321410950 1 BRIDLE
- 321411050 1 BUSH
- 321411150 1 ARM
- 321411350 1 SUPPORT
- 321411450 2 BUSH
- 321411650 1 RING
- 321411750 1 TIE ROD
- 321411850 1 BALL JOINT
- 321411950 1 COVER
- 321508250 1 SHEATH
- 321576250 1 PLATE
- 350356112 1 SPRING
- 355500615 4 WASHER
- 355500715 2 WASHER
- 355500915 4 WASHER
- 355510820 1 WASHER
- 5140164 1 PLUG

Eletric system

MTB "MX" MX 240



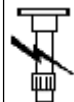
ELECTRICAL EQUIPMENT ON THE DASHBOARD



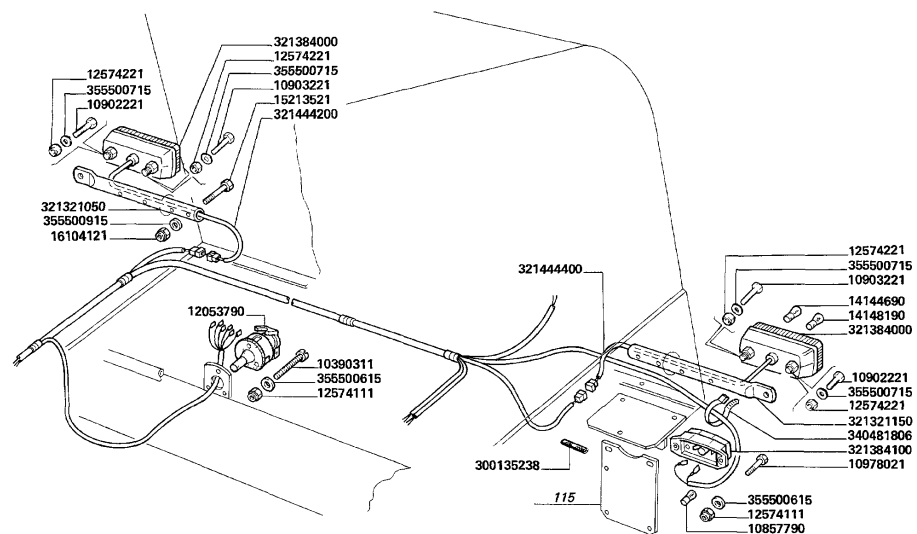
- | | | |
|-----------|--|--------------|
| 10902121 | | 2 SCREW |
| 10902221 | | 4 SCREW |
| 12035670 | ● 000120356710 (4) | 4 LOCK WASHE |
| 12574221 | | 2 NUT |
| 14143990 | | 0 LAMPADA |
| 15914701 | | 4 SCREW |
| 300131749 | | 2 NUT |
| 320460750 | ● 003217150000 (1)
003217110000 (1) | 1 FRAME |
| 320464250 | | 1 COUNTER |
| 320464300 | | 1 BUTTON |
| 320464500 | | 1 ELECTRONIC |
| 320464600 | ● 003209571000 (1) | 1 WIRE/CABLE |
| 320804950 | | 1 BUTTON |
| 320862000 | | 1 DASH BOARD |
| 321384400 | | 1 INDICATOR |
| 321384750 | | 4 BUTTON |
| 321384850 | | 4 BUTTON |
| 321385150 | | 1 BUTTON |
| 321385450 | | 1 HANDLE GRI |
| 321385550 | | 1 SIDEBOARDS |
| 321387000 | | 1 POTENTIOME |
| 321387300 | | 1 BUTTON |
| 321431250 | | 1 HANDLE GRI |
| 321443400 | | 1 WIRE/CABLE |
| 321543850 | | 1 CHECK CONT |
| 321579100 | | 1 POTENTIOME |
| 321579550 | | 1 SUPPORT |
| 340480465 | | 1 SWITCH |
| 355500715 | | 6 WASHER |
| 355510615 | | 2 WASHER |

Eletric system

MTB "MX" MX 240



REAR LIGHTS

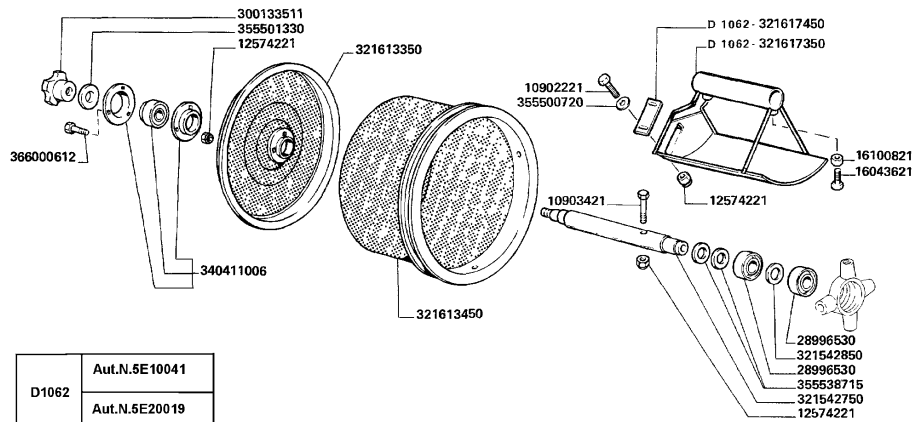
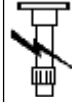


- | | | | |
|-----------|--------------------|---|------------|
| 10390311 | | 3 | SCREW |
| 10857790 | | 1 | LAMPADA |
| 10902221 | | 2 | SCREW |
| 10903221 | | 2 | SCREW |
| 10978021 | ● 000109780240 (2) | 2 | SCREW |
| 12053790 | ● 000051021560 (1) | 1 | REAR SOCKE |
| | 000051022340 (1) | | |
| 12574111 | | 5 | NUT |
| 12574221 | | 4 | NUT |
| 14144690 | | 2 | LAMPADA |
| 14148190 | | 2 | LAMPADA |
| 15213521 | | 4 | SCREW |
| 16104121 | | 4 | NUT |
| 300135238 | | 2 | GASKET |
| 321321050 | | 1 | BRACKET PL |
| 321321150 | | 1 | BRACKET PL |
| 321384000 | ● 000713116750 (2) | 2 | HEADLAMP |
| 321384100 | ● 000051179420 (1) | 1 | HEADLAMP |
| 321444200 | | 1 | WIRE/CABLE |
| 321444400 | | 1 | WIRE/CABLE |
| 340481806 | | 5 | CLAMP |
| 355500615 | | 5 | WASHER |
| 355500715 | | 4 | WASHER |
| 355500915 | | 4 | WASHER |

Engine

RADIATOR FILTER

MTB "MX" MX 240



D1062	Aut.N.5E10041
	Aut.N.5E20019

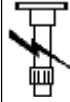
- 10902221
- 10903421
- 12574221
- 16043621
- 16100821
- 28996530
- 300133511
- 321542750
- 321542850
- 321613350
- 321613450
- 321617350
- 321617450
- 340411006
- 355500720
- 355501330
- 355538715
- 366000612
- 4 SCREW
- 1 SCREW
- 6 NUT
- 12 SCREW
- 2 NUT
- 3 BEARING
- 1 HANDWHEEL
- 1 PIN
- 1 WASHER
- 1 COVER
- 1 FILTER
- 1 SECTOR
- 1 GASKET
- 1 SUPPORT
- 4 WASHER
- 1 WASHER
- 4 WASHER
- 3 SCREW

● 003216912500 (1)

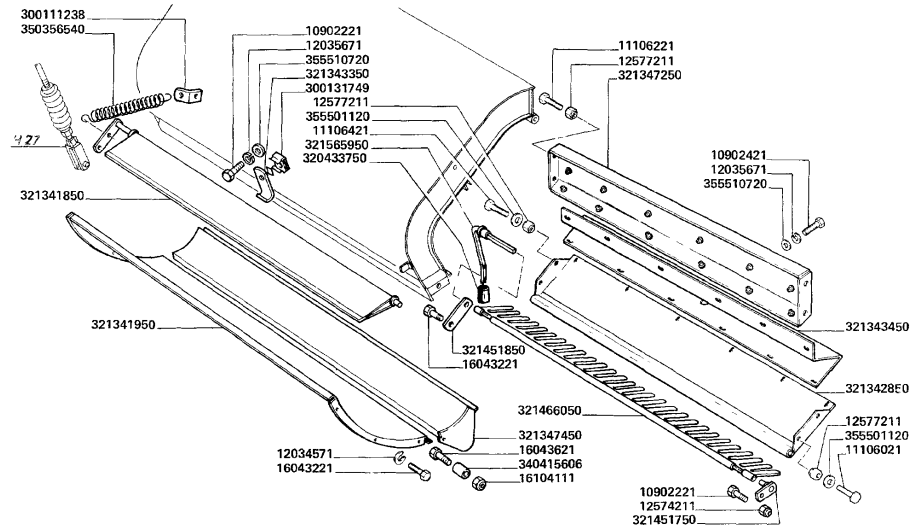
● 003555007150 (4)

Guard

MTB "MX" MX 240



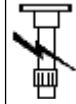
FAN HOUSING



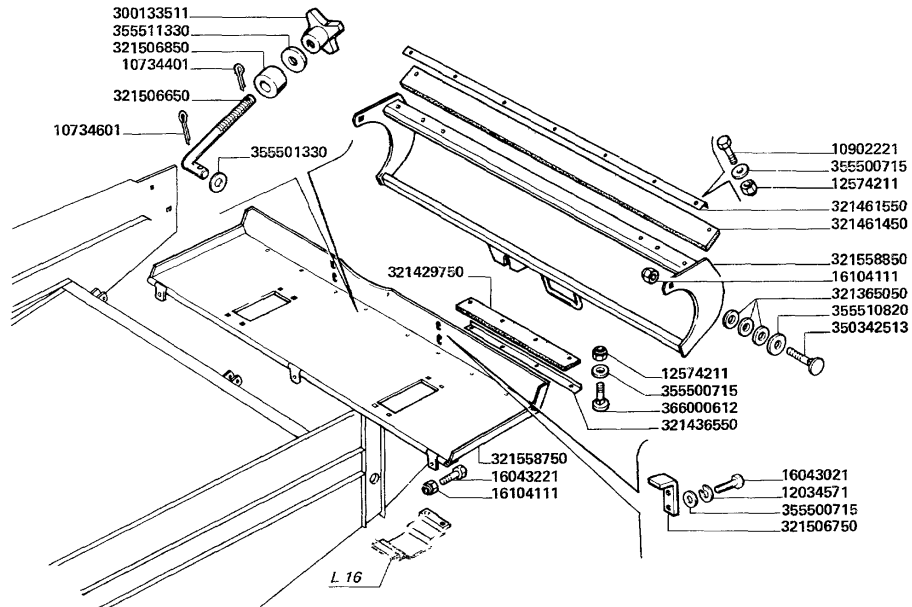
- | | |
|-----------|---------------|
| 10902221 | 2 SCREW |
| 10902421 | 12 SCREW |
| 11106021 | 2 SCREW |
| 11106221 | 4 SCREW |
| 11106421 | 2 SCREW |
| 12034571 | 4 LOCK WASHE |
| 12035671 | 13 LOCK WASHE |
| 12574211 | 1 NUT |
| 12577211 | 8 NUT |
| 16043221 | 4 SCREW |
| 16043621 | 2 SCREW |
| 16104111 | 2 NUT |
| 300111238 | 1 BRACKET, S |
| 300131749 | 1 NUT |
| 320433750 | 1 KNOB |
| 321341850 | 1 VALVE |
| 321341950 | 1 PLATE |
| 321342850 | 1 WALL |
| 321343350 | 1 BRIDLE |
| 321343450 | 1 EXTENSION |
| 321347250 | 1 CROSSRAIL |
| 321347450 | 1 HATCH |
| 321451750 | 1 SUPPORT |
| 321451850 | 1 SUPPORT |
| 321466050 | 1 RAKE |
| 340415606 | 1 LEVER |
| 350356540 | 2 BUSH |
| 355501120 | 1 SPRING |
| 355510720 | 4 WASHER |
| | 13 WASHER |

Guard

MTB "MX" MX 240



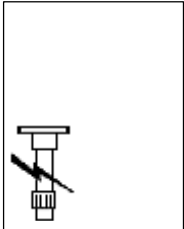
REAR DOOR SHAKER SHOE HOUSING



- | | | |
|-----------|--------------------|--------------|
| 10734401 | | 1 LINCH PIN |
| 10734601 | | 1 LINCH PIN |
| 10902221 | | 7 SCREW |
| 12034571 | | 4 LOCK WASHE |
| 12574211 | | 11 NUT |
| 16043021 | ● 000160430240 (4) | 4 SCREW |
| 16043221 | | 3 SCREW |
| 16104111 | | 5 NUT |
| 300133511 | | 1 HANDWHEEL |
| 321365050 | | 8 SPRING |
| 321429750 | | 2 GUM |
| 321436550 | | 2 RUBBER STR |
| 321461450 | | 1 CANVAS |
| 321461550 | | 1 STRAP |
| 321506650 | | 1 TIE ROD |
| 321506750 | | 2 SUPPORT |
| 321506850 | ● N.A. (0) | 1 PAD |
| 321558750 | | 1 DOOR TOP |
| 321558850 | | 1 SUPPORT |
| 350342513 | | 2 SCREW |
| 355500715 | | 17 WASHER |
| 355501330 | | 1 WASHER |
| 355510820 | | 4 WASHER |
| 355511330 | | 1 WASHER |
| 366000612 | | 8 SCREW |

Guard

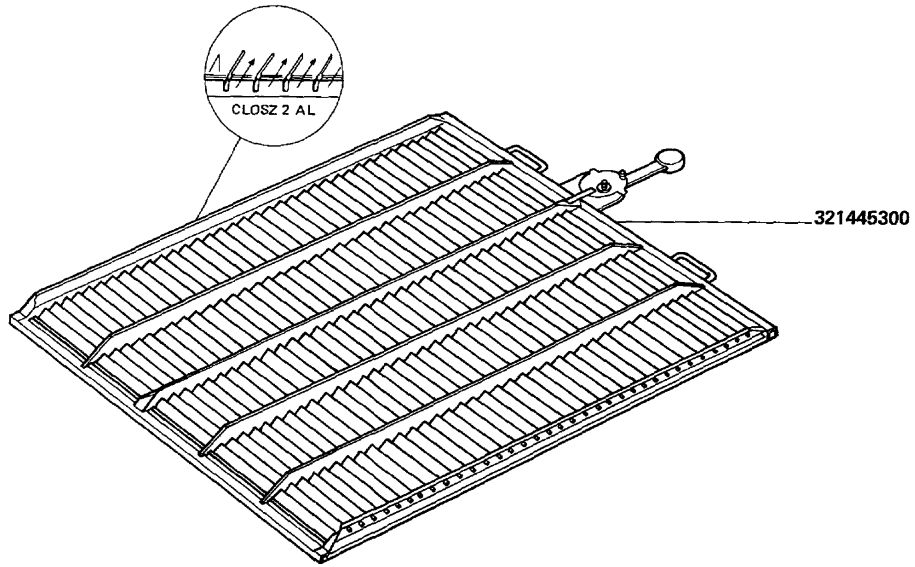
MTB "MX" MX 240



LOWER SIEVE, ADJUSTABLE

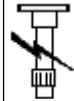
321445300

1 SIEVE



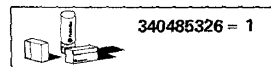
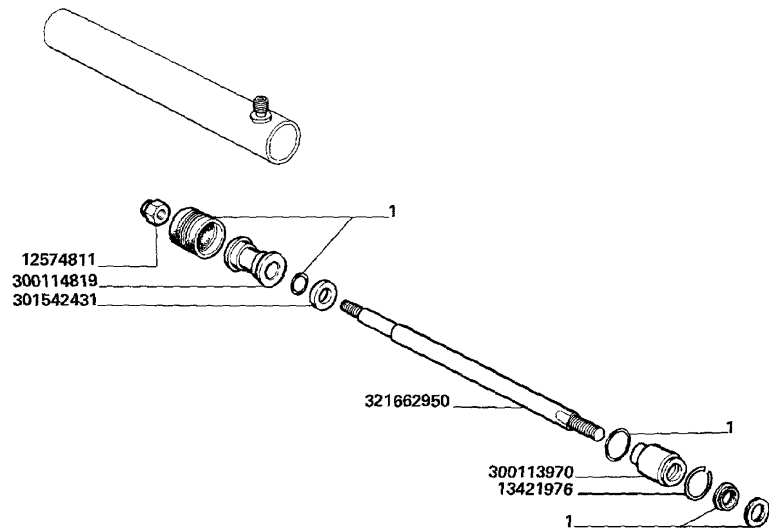
Hydraulic system

MTB "MX" MX 240



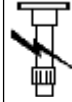
RAM ELEMENTS FOR SWIVEL OF UNLOADING TUB

- | | |
|-----------|-------------|
| 12574811 | 1 NUT |
| 13421976 | 1 RING |
| 300113970 | 1 BUSH |
| 300114819 | 1 BUSH |
| 301542431 | 1 WASHER |
| 321662950 | 1 STEM |
| 340485326 | 1 KIT SEALS |

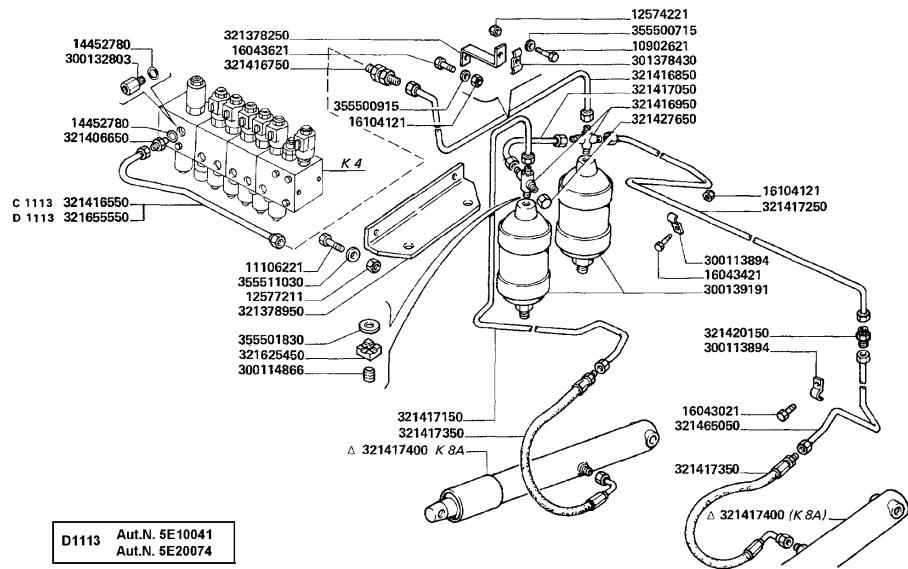


Hydraulic system

MTB "MX" MX 240



SEPARATOR DRUM SYSTEM LIFTING RAMS AND P



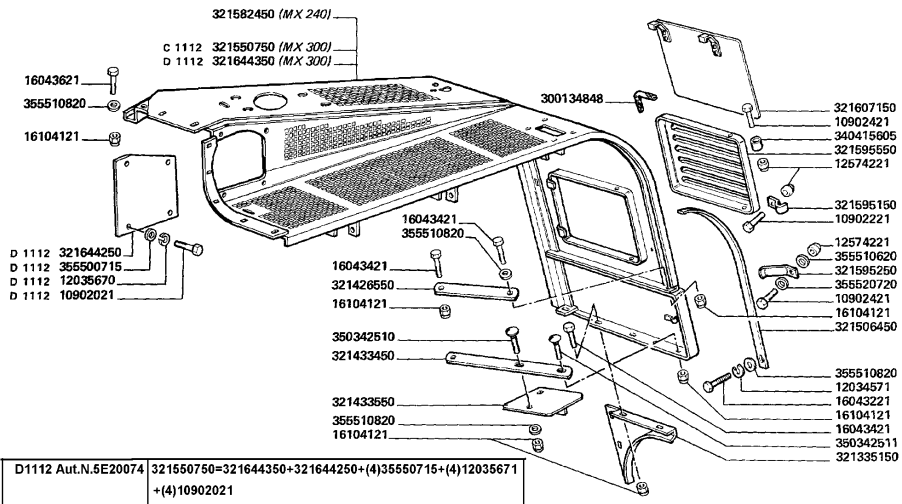
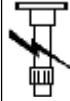
- | | | | |
|-----------|--------------------|---|-----------|
| 10902621 | | 1 | SCREW |
| 11106221 | | 2 | SCREW |
| 12574221 | | 1 | NUT |
| 12577211 | | 2 | NUT |
| 14452780 | | 2 | O-RING |
| 16043021 | ● 000160430240 (2) | 2 | SCREW |
| 16043421 | | 2 | SCREW |
| 16043621 | | 1 | SCREW |
| 16104121 | | 3 | NUT |
| 300113894 | | 4 | BRIDLE |
| 300114866 | | 2 | PLUG |
| 300132803 | | 1 | UNION |
| 300139191 | ● 003212094000 (2) | 2 | HYDRAULIC |
| 301378430 | | 1 | BRIDLE |
| 321378250 | | 1 | SUPPORT |
| 321378950 | | 1 | SUPPORT |
| 321406650 | | 1 | UNION |
| 321416550 | | 1 | PIPE |
| 321416750 | | 1 | UNION |
| 321416850 | | 1 | PIPE |
| 321416950 | | 2 | UNION |
| 321417050 | | 1 | PIPE |
| 321417150 | | 1 | PIPE |
| 321417250 | | 1 | PIPE |
| 321417350 | | 2 | HOSE |
| 321417400 | ● 003215266000 (2) | 2 | JACK |
| 321420150 | | 1 | UNION |
| 321427650 | | 1 | PLUG |
| 321465050 | | 1 | PIPE |
| 321625450 | | 2 | VALVE |
| 321655550 | | 1 | PIPE |

D1113 Aut.N. 5E10041
Aut.N. 5E20074

Tank and fairings

BODY, L.H. FOR ENGINE

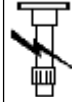
MTB "MX" MX 240



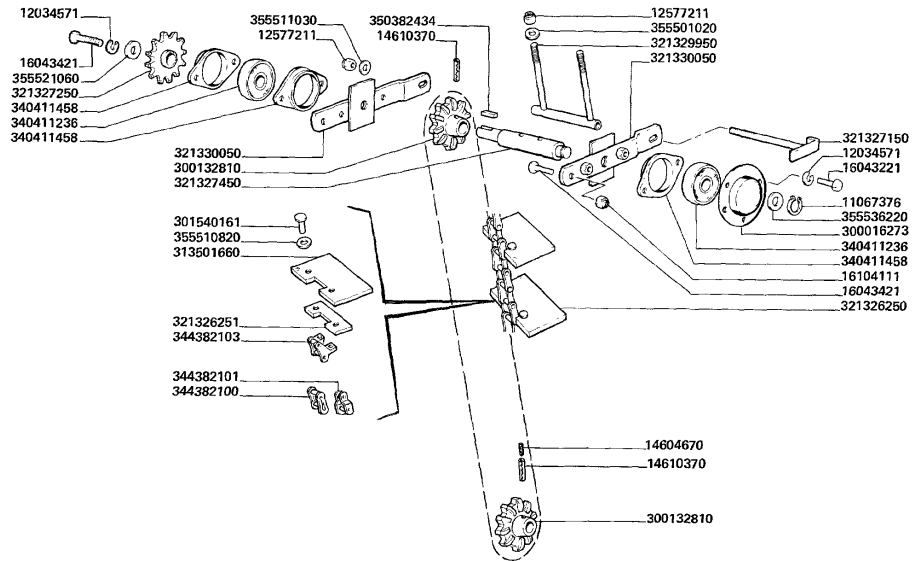
- 355500715 4 WASHER
- 355510620 ● 003555106150 (1) 1 WASHER
- 355510820 12 WASHER
- 355520720 1 WASHER

Tank and fairings

MTB "MX" MX 240



PADDLE ELEVATORS

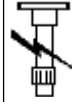


- | | | |
|-----------|----|------------|
| 11067376 | 1 | SPRING LOC |
| 12034571 | 5 | LOCK WASHE |
| 12577211 | 3 | NUT |
| 14604670 | 1 | PLUG |
| 14610370 | 2 | PLUG |
| 16043221 | 4 | SCREW |
| 16043421 | 3 | SCREW |
| 16104111 | 2 | NUT |
| 300016273 | 1 | FLANGE |
| 300132810 | 2 | GEAR |
| 301540161 | 54 | RIVET |
| 313501660 | 27 | PADDLE |
| 321326250 | 1 | CHAIN |
| 321326251 | 27 | REINFORCEM |
| 321327150 | 1 | PIN |
| 321327250 | 1 | GEAR |
| 321327450 | 1 | SHAFT |
| 321329950 | 1 | TIE ROD |
| 321330050 | 2 | CHAIN ADJU |
| 340411236 | 2 | BEARING |
| 340411458 | 3 | FLANGE |
| 344382100 | 1 | CONNECTING |
| 344382101 | 1 | PLATE |
| 344382103 | 27 | CONNECTING |
| 350382434 | 1 | KEY |
| 355501020 | 2 | WASHER |
| 355510820 | 54 | WASHER |
| 355511030 | 1 | WASHER |
| 355521060 | 1 | WASHER |
| 355536220 | 1 | WASHER |

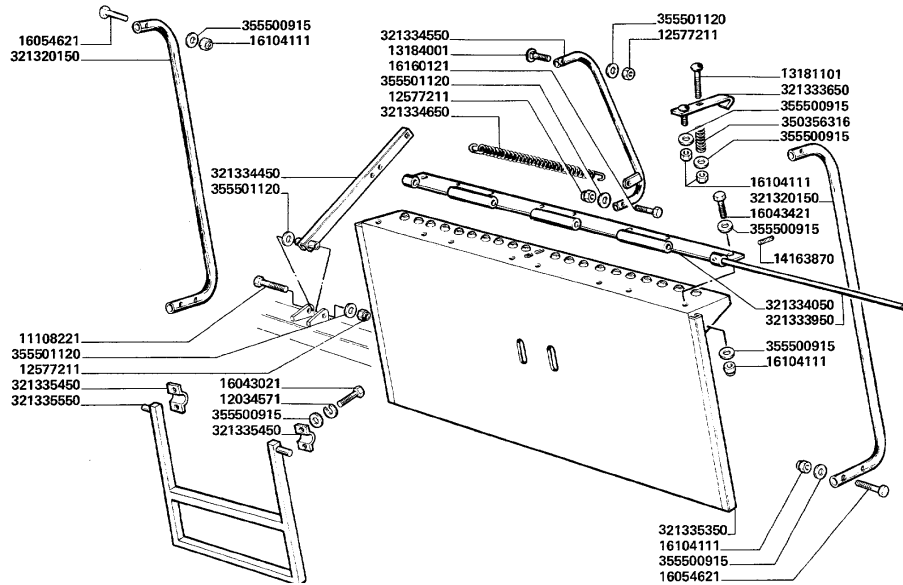
- 003001328103 (2)
- 003216862000 (1)

Tank and fairings

MTB "MX" MX 240



ENGINE ACCESS LADDER

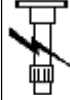


- | | | | |
|-----------|--------------------|----|------------|
| 11108221 | | 1 | SCREW |
| 12034571 | | 5 | LOCK WASHE |
| 12577211 | | 3 | NUT |
| 13181101 | | 1 | SCREW |
| 13184001 | ● 000803504590 (1) | 1 | SCREW |
| 14163870 | | 1 | PLUG |
| 16043021 | ● 000160430240 (4) | 4 | SCREW |
| 16043421 | | 8 | SCREW |
| 16054621 | | 10 | SCREW |
| 16100811 | | 3 | NUT |
| 16104111 | | 22 | NUT |
| 16160121 | | 1 | SCREW |
| 321320150 | | 2 | SHIELD |
| 321333650 | | 1 | RETAINER |
| 321333950 | | 1 | DOWEL |
| 321334050 | | 1 | HINGE |
| 321334450 | | 1 | STRUT |
| 321334550 | | 1 | SHIELD |
| 321334650 | | 1 | SPRING |
| 321335350 | | 1 | LADDER |
| 321335450 | | 2 | HINGE |
| 321335550 | | 1 | EXTENSION |
| 350356316 | | 1 | SPRING |
| 355500915 | | 32 | WASHER |
| 355501120 | | 4 | WASHER |

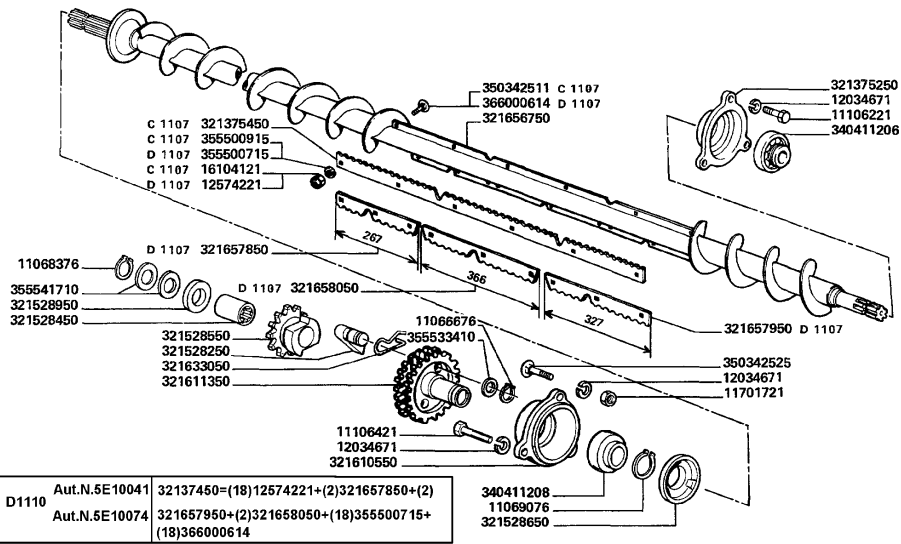
Thresher

FRONT AUGER SHAFT

MTB "MX" MX 240

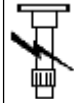


- 355500915 12 WASHER
- 355533410 2 WASHER
- 355541710 2 WASHER
- 366000614 18 SCREW

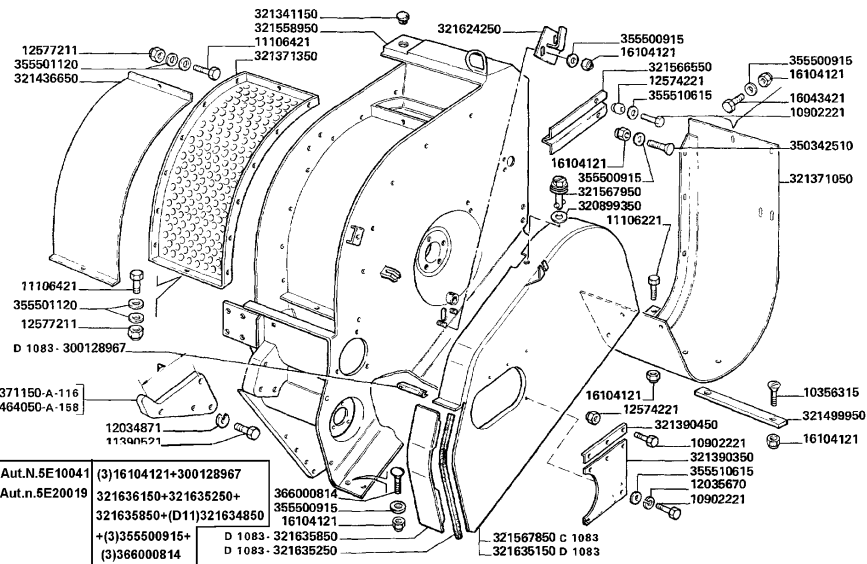


Thresher

MTB "MX" MX 240



STRAW UNLOADING HOUSING

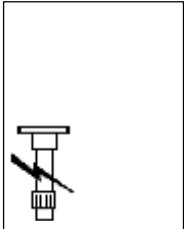


D1013 Aut.N.5E10041	(3)16104121+300128967
Aut.n.5E20019	321636150+321635250+
	321635850+(D11)321634850
	+ (3)355500915+
	(3)366000814
	D 1083- 321635850
	D 1083- 321635250
	366000814
	355500915
	16104121
	321567850 c 1083
	D 1083- 321635150 D 1083

- 10356315 2 SCREW
- 10902221 6 SCREW
- 11106221 7 SCREW
- 11106421 14 SCREW
- 11390521 3 SCREW
- 12034871 3 LOCK WASHE
- 12035670 ● 000120356710 (1) 1 LOCK WASHE
- 12574221 5 NUT
- 12577211 20 NUT
- 16043421 4 SCREW
- 16104121 15 NUT
- 300128967 1 SHIELD
- 320899350 1 WASHER
- 321341150 1 PLUG
- 321371050 1 PLATE
- 321371150 2 HOOK
- 321371350 1 GRILLE
- 321390350 1 CANVAS
- 321390450 1 STRAP
- 321436650 1 PANEL
- 321464050 2 HOOK
- 321499950 1 STRAP
- 321558950 1 CASHIER
- 321566550 1 SHIELD
- 321567850 ● 003216358500 (3) 1 SHIELD
- 003216348500 (1)
- 003503425110 (1)
- 003001289670 (1)
- 003216352500 (1)
- 000161041210 (1)
- 003216351500 (3)
- 003555009150 (3)

Thresher

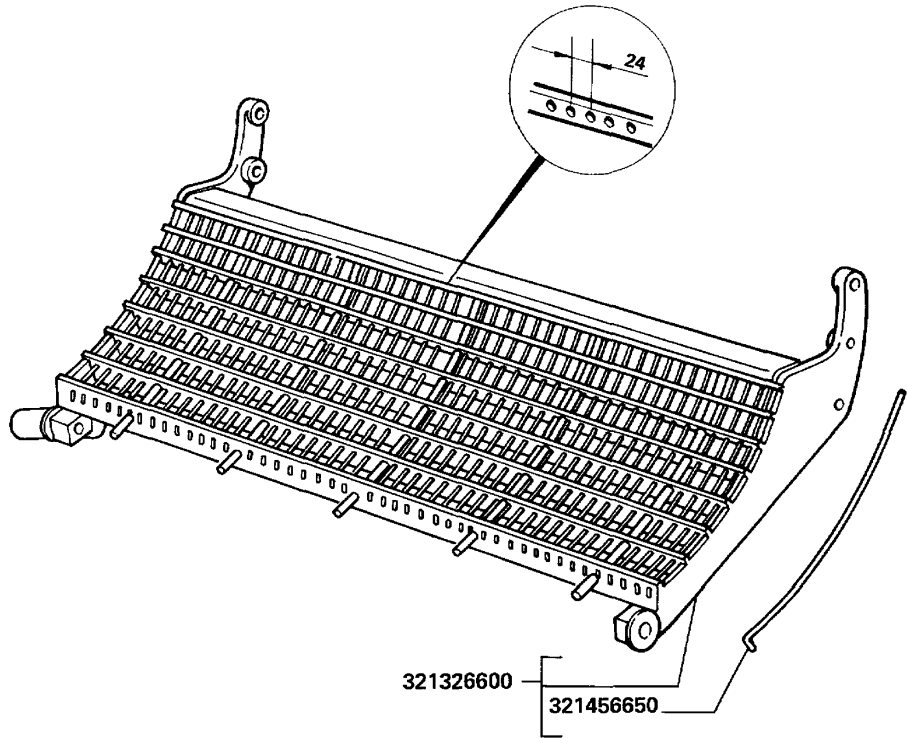
MTB "MX" MX 240



MAIS - CONCAVE

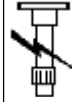
321326600
321456650

1 CONCAVE
41 WIRE, RETA

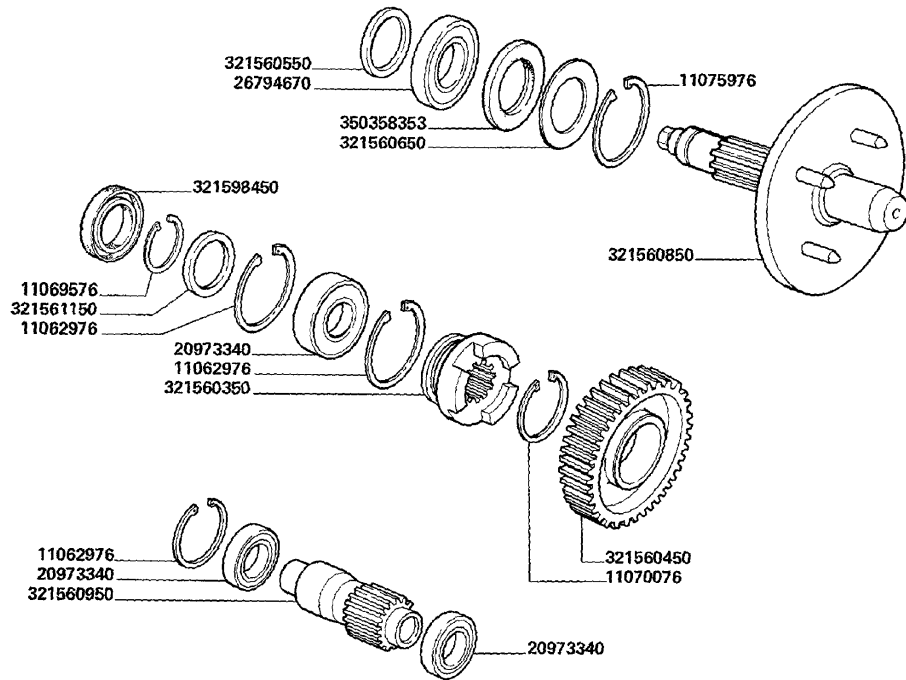


Thresher

MTB "MX" MX 240



REDUCER BOX ELEMENTS



- 11062976 3 SPRING LOC
- 11069576 1 SPRING LOC
- 11070076 1 SPRING LOC
- 11075976 1 SPRING LOC
- 20973340 3 BEARING
- 26794670 1 BEARING
- 321560350 1 BUSH
- 321560450 1 CROWNWHEEL
- 321560550 1 SPACER
- 321560650 1 PLATE
- 321560850 1 SHAFT
- 321560950 1 PINION
- 321561150 1 SPACER
- 321598450 1 GASKET
- 350358353 1 GASKET

CLICK HERE TO **DOWNLOAD** THE COMPLETE MANUAL

- Thank you very much for reading the preview of the manual.
- You can download the complete manual from: www.heydownloads.com by clicking the link below

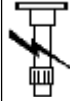


- Please note: If there is no response to CLICKING the link, please download this PDF first and then click on it.

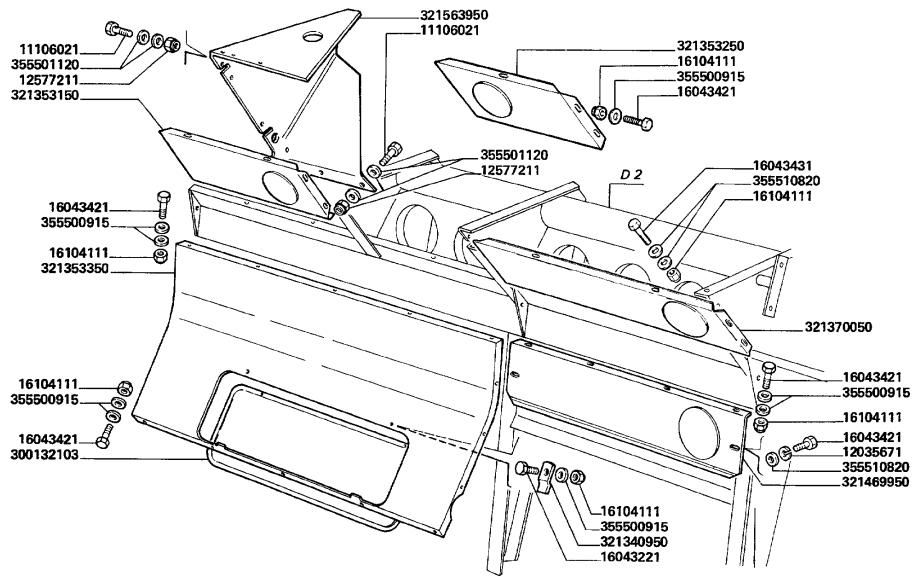
CLICK HERE TO **DOWNLOAD** THE COMPLETE MANUAL

Thresher

MTB "MX" MX 240



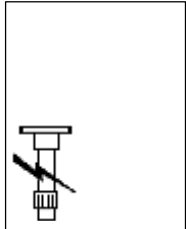
REARS PANELS



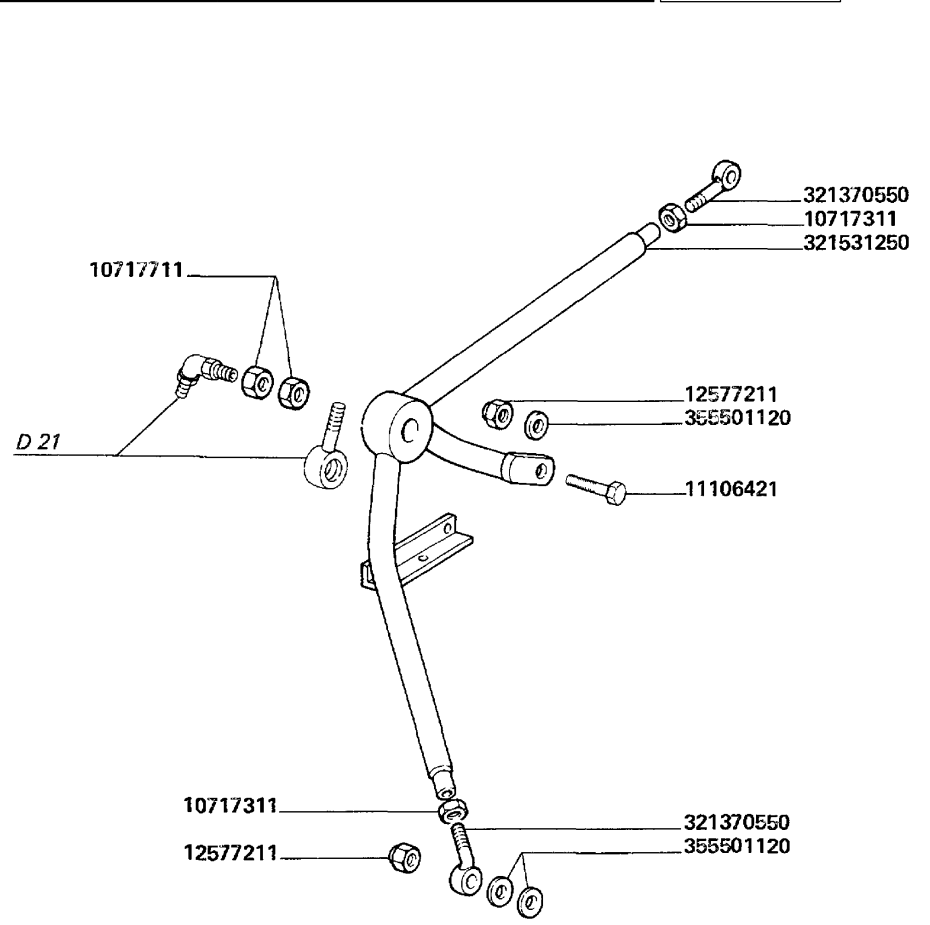
- | | |
|-----------|--------------|
| 11106021 | 7 SCREW |
| 12035671 | 2 LOCK WASHE |
| 12577211 | 7 NUT |
| 16043221 | 2 SCREW |
| 16043421 | 27 SCREW |
| 16043431 | 8 SCREW |
| 16104111 | 35 NUT |
| 300132103 | 1 HATCH |
| 321340950 | 2 PLATE |
| 321353150 | 1 HATCH |
| 321353250 | 1 HATCH |
| 321353350 | 1 PANEL |
| 321370050 | 1 HATCH |
| 321469950 | 1 HATCH |
| 321563950 | 1 CONSOLE |
| 355500915 | 46 WASHER |
| 355501120 | 14 WASHER |
| 355510820 | 18 WASHER |

Thresher

MTB "MX" MX 240



TOOTHED SECTOR



- 10717311
- 10717711
- 11106421
- 12577211
- 321370550
- 321531250
- 355501120

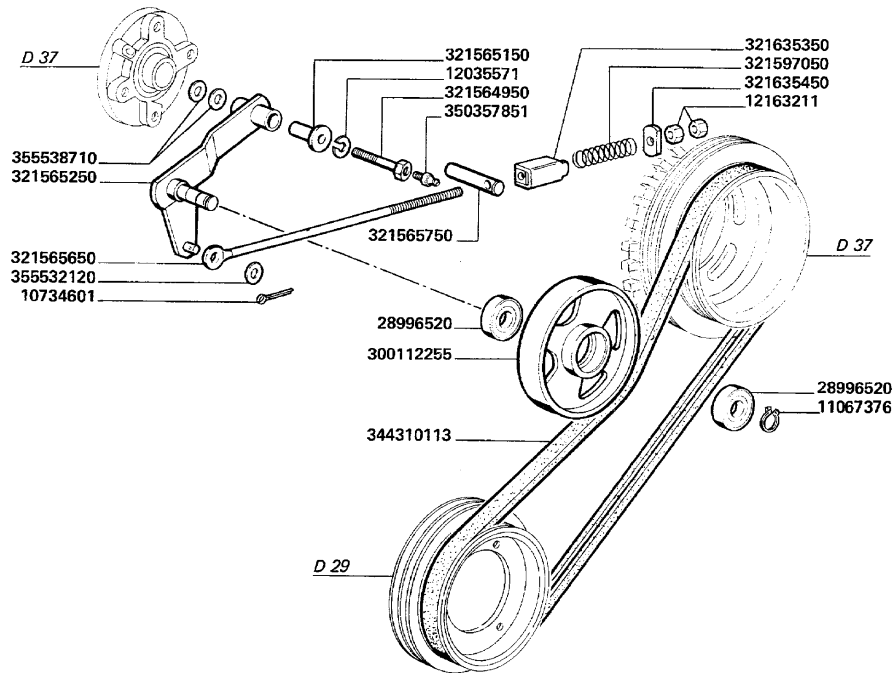
- 2 NUT
- 2 NUT
- 1 SCREW
- 4 NUT
- 2 TIE ROD
- 1 SUPPORT
- 5 WASHER

Thresher

MTB "MX" MX 240



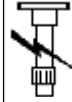
ROLLER TRANSMISSION



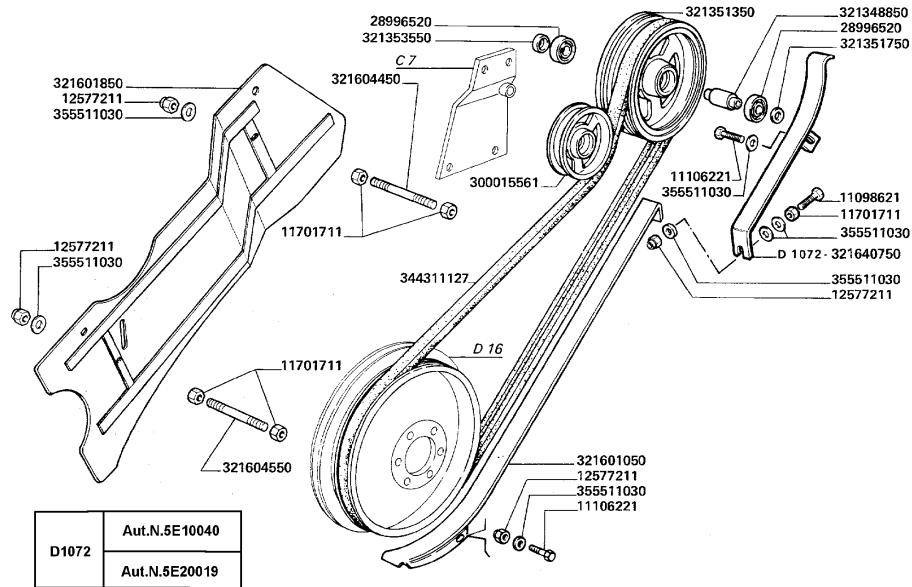
- 10734601
- 11067376
- 12035571
- 12163211
- 28996520
- 300112255
- 321564950
- 321565150
- 321565250
- 321565650
- 321565750
- 321597050
- 321635350
- 321635450
- 344310113
- 350357851
- 355532120
- 355538710
- 003001122553 (1)
- 1 LINCH PIN
- 1 SPRING LOC
- 1 LOCK WASHE
- 2 NUT
- 2 BEARING
- 1 TENSIONER,
- 1 SCREW
- 1 THIMBLE
- 1 SUPPORT
- 1 TIE ROD
- 1 SUPPORT
- 1 SPRING
- 1 CONTAINER
- 1 RETAINER
- 1 BELT
- 1 NIPPLE, LU
- 1 WASHER
- 6 WASHER

Threshcing mechanism drive

MTB "MX" MX 240



TRASMISSION FROM DRIVE TO SEPARATION CYL



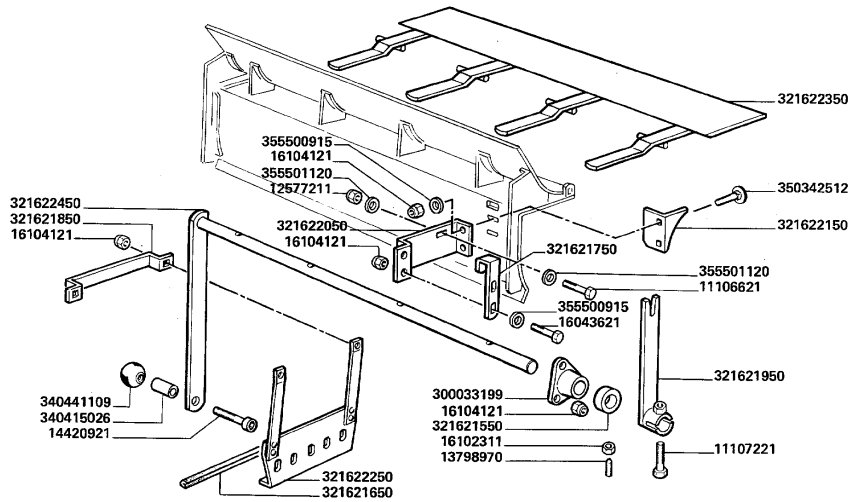
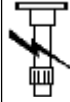
- | | |
|-----------|-----------|
| 11098621 | 1 SCREW |
| 11106221 | 2 SCREW |
| 11701711 | 6 NUT |
| 12577211 | 5 NUT |
| 28996520 | 2 BEARING |
| 300015561 | 1 GEAR |
| 321348850 | 1 PIN |
| 321351350 | 1 PULLEY |
| 321351750 | 1 SPACER |
| 321353550 | 1 SPACER |
| 321601050 | 1 SKATE |
| 321601850 | 1 SHIELD |
| 321604450 | 2 PROP |
| 321604550 | 1 PROP |
| 321640750 | 1 SKATE |
| 344311127 | 1 BELT |
| 355511030 | 7 WASHER |

D1072	Aut.N.5E10040
	Aut.N.5E20019

Throw unit

THROW ROLL HOUSING

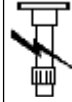
MTB "MX" MX 240



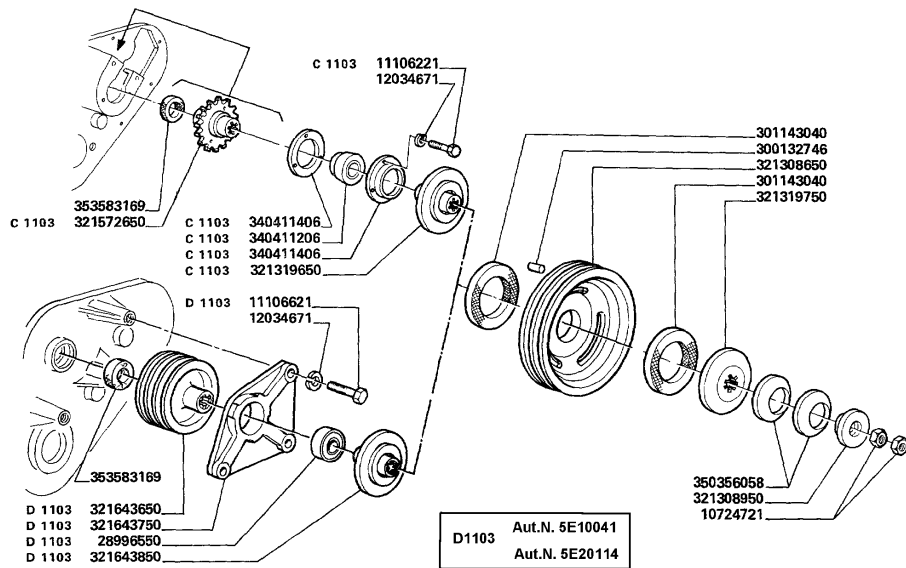
- | | | |
|-----------|----|------------|
| 11106621 | 4 | SCREW |
| 11107221 | 4 | SCREW |
| 12577211 | 8 | NUT |
| 13798970 | 1 | SCREW |
| 14420921 | 1 | SCREW |
| 16043621 | 8 | SCREW |
| 16102311 | 5 | NUT |
| 16104121 | 29 | NUT |
| 300033199 | 1 | SUPPORT |
| 321621550 | 1 | BUSH |
| 321621650 | 1 | GASKET |
| 321621750 | 4 | RETAINER |
| 321621850 | 1 | GUIDE |
| 321621950 | 4 | LEVER LEAD |
| 321622050 | 4 | SUPPORT |
| 321622150 | 4 | SUPPORT |
| 321622250 | 1 | PLATE |
| 321622350 | 1 | PLATE |
| 321622450 | 1 | LEVER LEAD |
| 340415026 | 1 | BUSH |
| 340441109 | 1 | HANDLE GRI |
| 350342512 | 12 | SCREW |
| 355500915 | 39 | WASHER |
| 355501120 | 8 | WASHER |

Throw unit

MTB "MX" MX 240



BOX DRIVE PULLEY

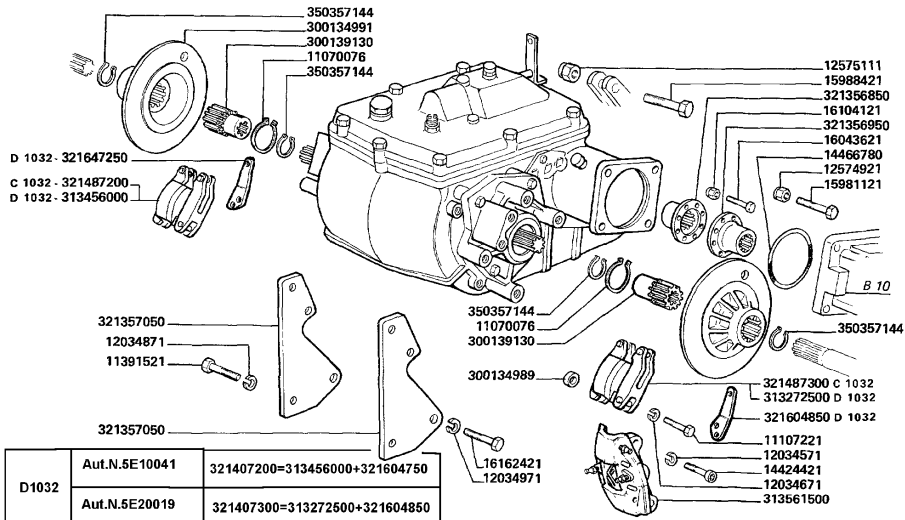
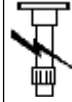


- | | | |
|-----------|--------------------|--------------|
| 10724720 | | 2 NUT |
| 11106221 | | 3 SCREW |
| 11106621 | | 3 SCREW |
| 12034671 | | 3 LOCK WASHE |
| 28996550 | | 1 BEARING |
| 300132746 | | 20 ROLLER |
| 301143040 | ● 003217424500 (2) | 2 GASKET |
| 321308650 | | 1 PULLEY DRI |
| 321308950 | | 1 WASHER |
| 321319650 | | 1 HUB |
| 321319750 | | 1 DISC |
| 321572650 | | 1 GEAR |
| 321643650 | | 1 PULLEY |
| 321643750 | | 1 SUPPORT |
| 321643850 | | 1 HUB |
| 340411206 | | 1 BEARING |
| 340411406 | | 2 FLANGE COU |
| 350356058 | | 2 SPRING |
| 353583169 | | 1 GASKET |

Transmission

GEARS BOX

MTB "MX" MX 240



- 11070076 2 SPRING LOC
- 11107221 4 SCREW
- 11391521 4 SCREW
- 12034571 8 LOCK WASHE
- 12034671 4 LOCK WASHE
- 12034871 4 LOCK WASHE
- 12034971 4 LOCK WASHE
- 12574921 4 NUT
- 12575111 1 NUT
- 14424421 8 SCREW
- 14466780 1 O-RING
- 15981121 ● 000159812240 (4) 4 SCREW
- 15988421 1 SCREW
- 16043621 8 SCREW
- 16104121 8 NUT
- 16162421 4 SCREW
- 300134989 4 SPACER
- 300134991 2 DISC
- 300139130 2 HUB
- 313272500 1 BRAKE CALI
- 313456000 1 BRAKE CALI
- 313561500 ● 003216637000 (4) 4 BRAKE CALI
- 321356850 1 FLANGE
- 321356950 1 FLANGE
- 321357050 2 SUPPORT
- 321487200 ● 003216642000 (1) 1 REPLACE
- 321487300 ● 003216641000 (1) 1 REPLACE
- 321604850 ● N.A. (0) 1 LEVER
- 321647250 1 LEVER

Transmission

MTB "MX" MX 240

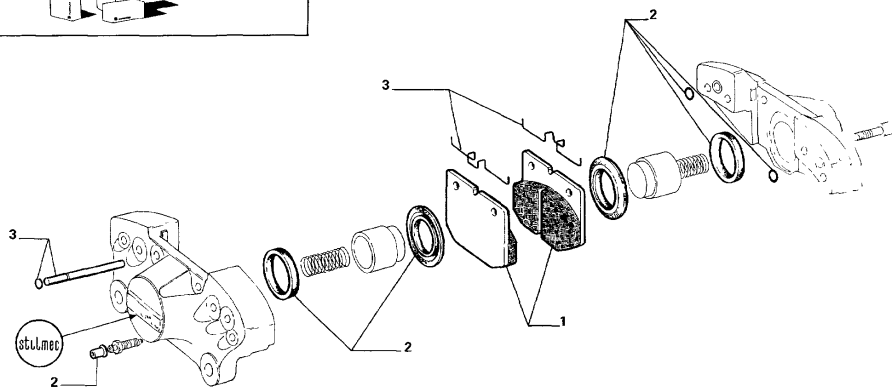


BRAKES ELEMENTS

- 321155600 ● 003216981000 (1) 1 REPLACE
- 321155700 1 KIT SEALS
- 321155800 1 PIN

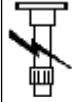


- 1 = 321155600
- 2 = 321155700
- 3 = 321155800

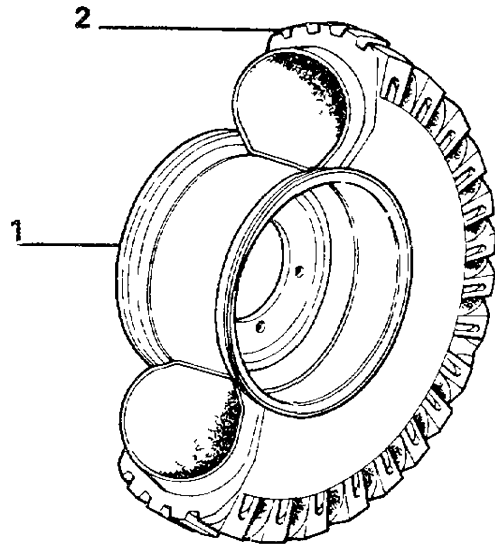


Transmission

MTB "MX" MX 240



DIRECTION WHEELS WITH TYRES



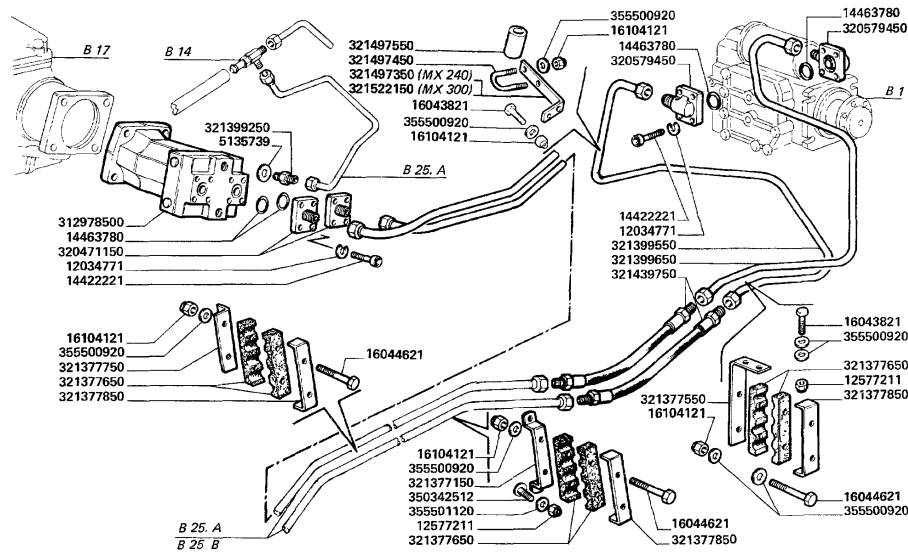
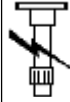
- 300132369 ● 003205806500 (12) 2 DISC WHEEL
- 003209430500 (2)
- 300132382 2 DISC WHEEL
- 340478315 2 DECAL
- 340478318 2 DECAL

Mod.	1	2	3
MX 240 MX 300	300132382	(12.5-18" 8 PR)	340478318
MX 240-R MX 300-R	300132369	(14.9-24" 12 PR)	340478315

Transmission

HYDROSTATIC DRIVE PUMP AND MOTOR TUBINGS

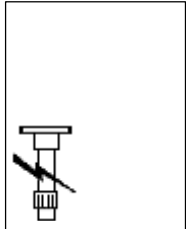
MTB "MX" MX 240



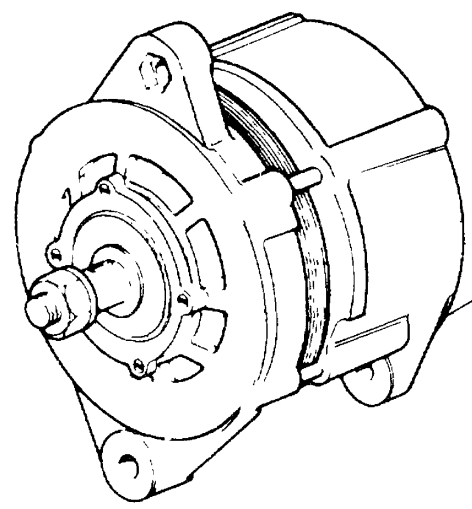
- | | |
|-----------|---------------|
| 12034771 | 16 LOCK WASHE |
| 12577211 | 3 NUT |
| 14422221 | 16 SCREW |
| 14463780 | 4 O-RING |
| 16043821 | 4 SCREW |
| 16044621 | 6 SCREW |
| 16104121 | 10 NUT |
| 312978500 | 1 HYDRAULIC |
| 320471150 | 2 FLANGE |
| 320579450 | 2 FLANGE |
| 321377150 | 1 BRIDLE |
| 321377550 | 1 SUPPORT |
| 321377650 | 6 BLOCK |
| 321377750 | 1 SUPPORT |
| 321377850 | 3 BRIDLE |
| 321399250 | 1 UNION |
| 321399550 | 1 PIPE |
| 321399650 | 1 PIPE |
| 321439750 | 2 HOSE |
| 321497350 | 1 STIRRUP |
| 321497450 | 1 BRIDLE |
| 321497550 | 1 SLEEVE |
| 321522150 | 1 STIRRUP |
| 350342512 | 1 SCREW |
| 355500920 | 15 WASHER |
| 355501120 | 1 WASHER |
| 5135739 | 1 O-RING |

VARIOUS

MTB "MX" MX 240



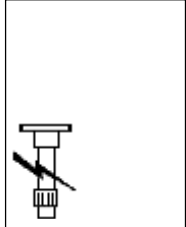
ALTERNATOR



5991719

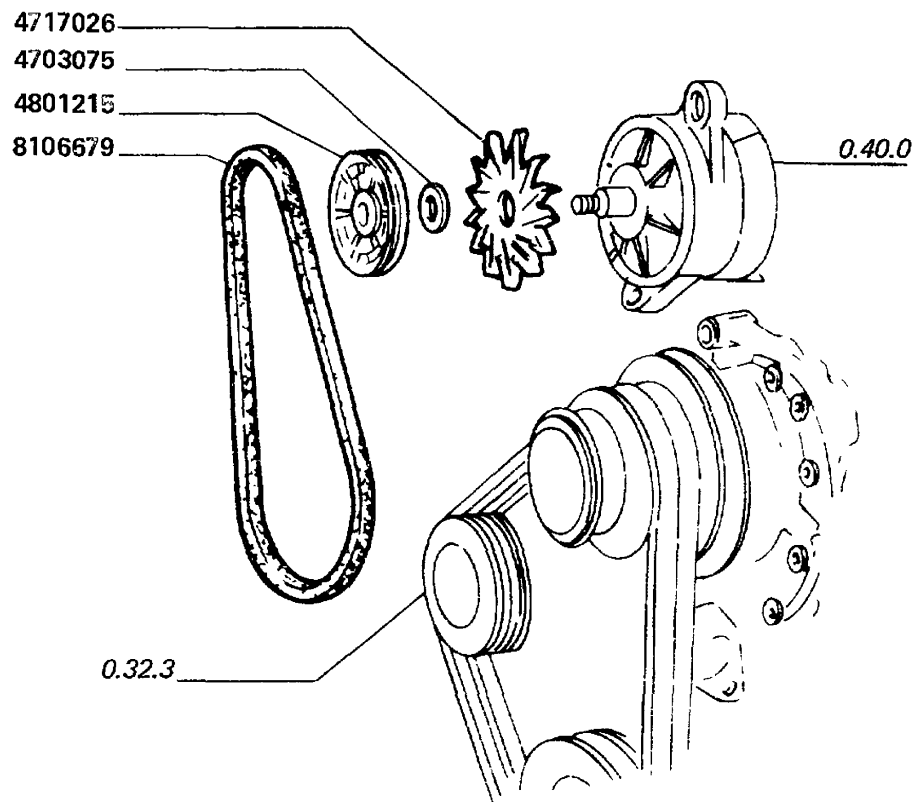
5991719 ● 000994484660 (1) 1 REPLACE

VARIOUS



GENERATOR DRIVE

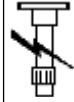
MTB "MX" MX 240



- 4703075 1 LOCK WASHE
 - 4717026 1 FAN
 - 4801215 1 PULLEY
 - 8106679 1 BELT
- 000877506590 (1)

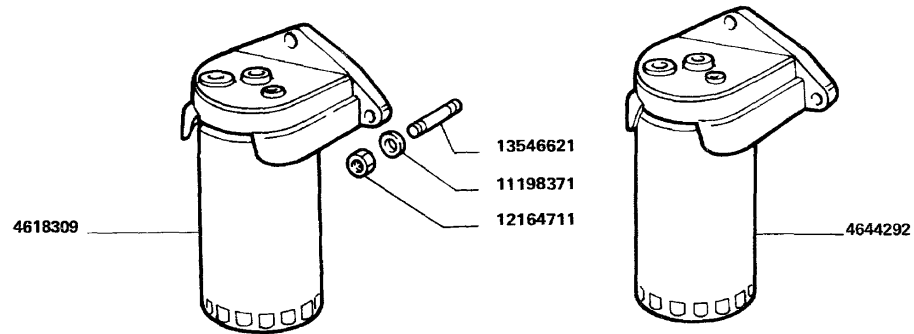
VARIOUS

MTB "MX" MX 240



FUEL FILTERS

- | | | | | |
|----------|---|------------------|---|------------|
| 11198371 | ● | 000111983740 (6) | 6 | LOCK WASHE |
| 12164711 | ● | 000121647210 (6) | 6 | NUT |
| 13546621 | ● | 000135466240 (6) | 6 | REPLACE |
| 4618309 | | | 1 | FUEL FILTE |
| 4644292 | | | 1 | FUEL FILTE |



VARIOUS

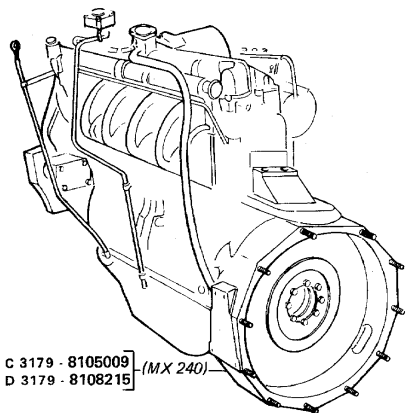
ENGINE

MTB "MX" MX 240

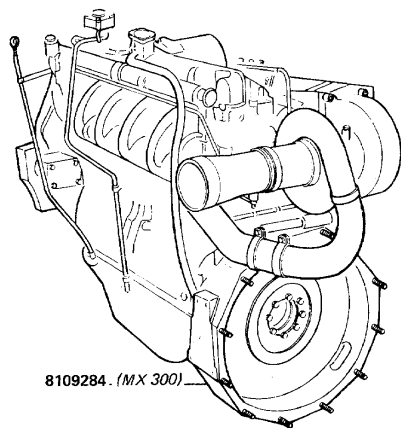


8105009
8108215
8109284

1 ENGINE
1 ENGINE
1 ENGINE



C 3179 - 8105009
D 3179 - 8108215 (MX 240)

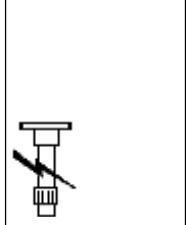


8109284 (MX 300)

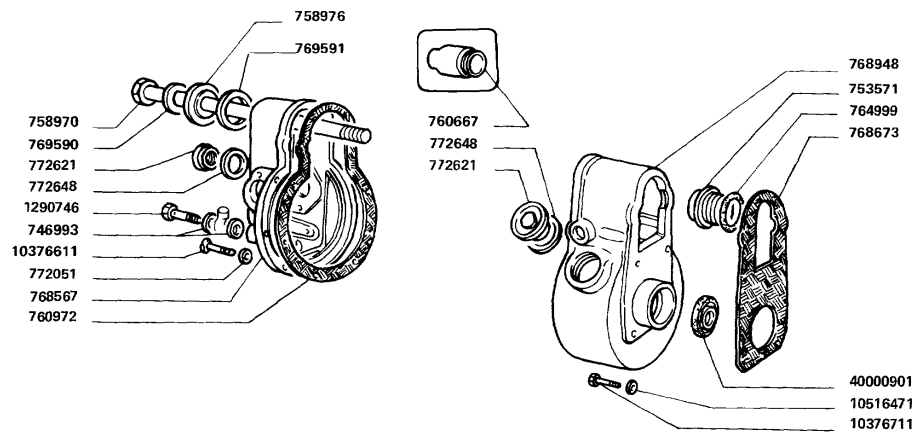
D3179 Aut.N.5E10041 8105009=8108215

VARIOUS

MTB "MX" MX 240



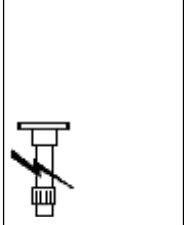
INJECTION PUMP



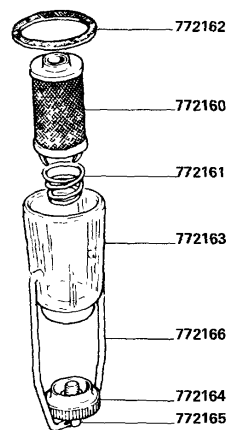
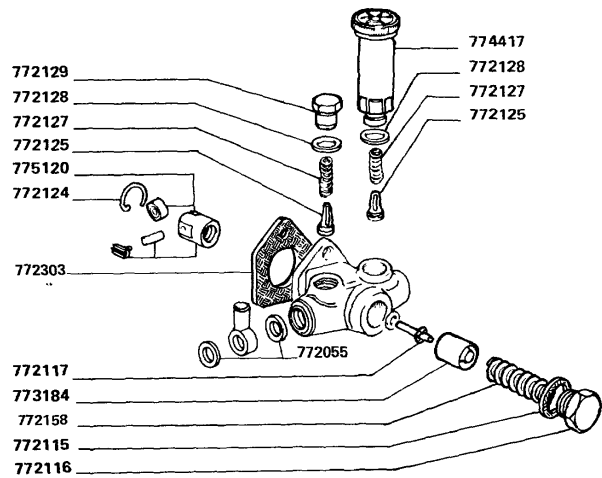
- | | |
|----------|--------------|
| 10376611 | 14 SCREW |
| 10376711 | 8 SCREW |
| 10516471 | 7 LOCK WASHE |
| 1290746 | 1 BOLT, BANJ |
| 40000901 | 1 GASKET |
| 746993 | 7 GASKET |
| 753571 | 1 BUSH |
| 758970 | 1 SCREW |
| 758976 | 1 WASHER |
| 760667 | 1 PROTECTION |
| 760972 | 1 GASKET |
| 764999 | 1 RING |
| 768567 | 1 COVER |
| 768673 | 1 GASKET |
| 768948 | 1 BOX |
| 769590 | 1 LOCK WASHE |
| 769591 | 1 LOCK WASHE |
| 772051 | 13 REPLACE |
| 772621 | 2 PLUG |
| 772648 | 2 REPLACE |

VARIOUS

MTB "MX" MX 240



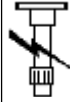
INJECTION PUMP (772156)



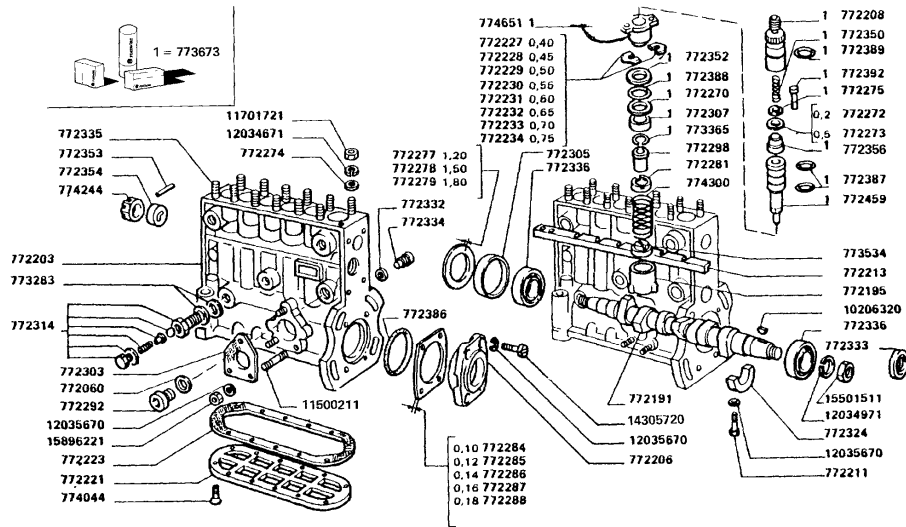
- 774268
- 774417 ● 000099688790 (1)
- 775120
- 1 SPRING
- 1 REPLACE
- 1 TAPPET

VARIOUS

MTB "MX" MX 240



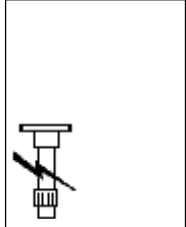
INJECTION PUMP (WEBER-ALTECNA) (PE6P120A)



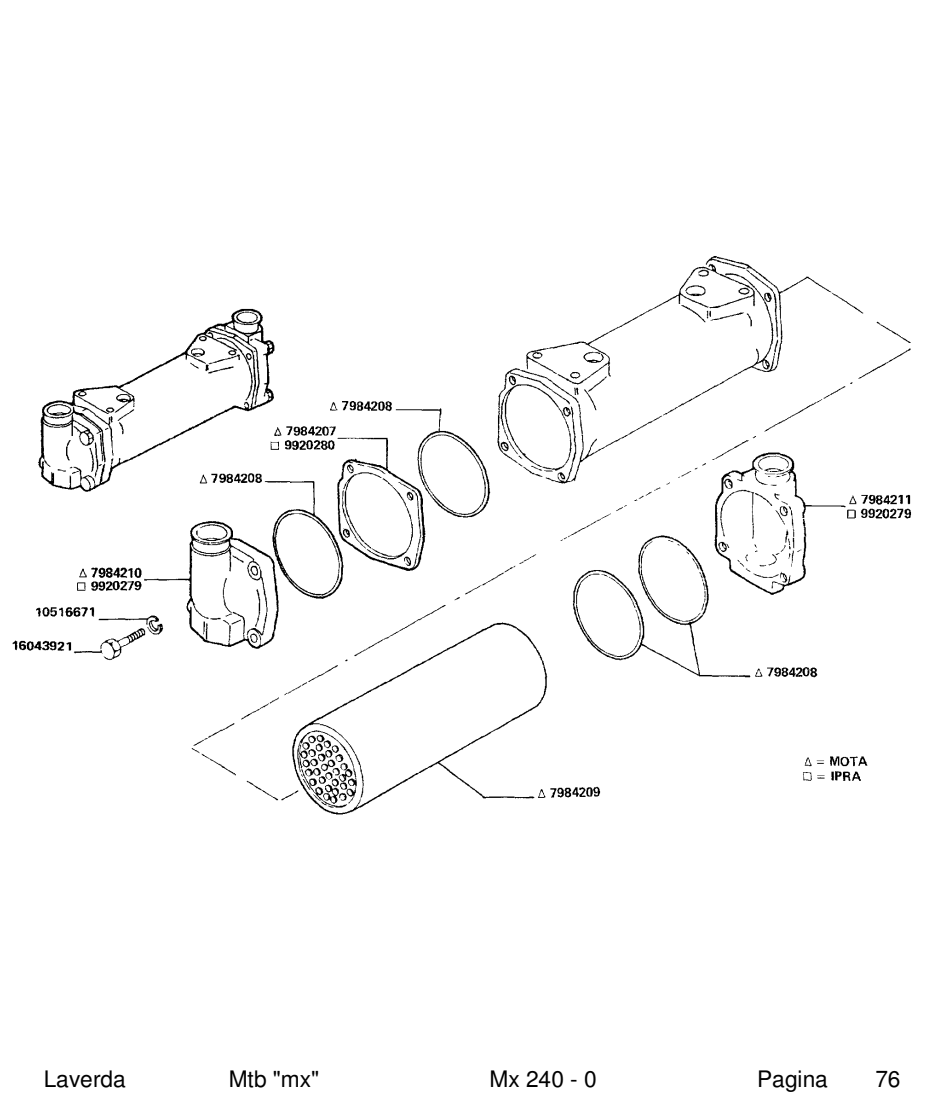
- 772277 1 SHIM
- 772278 1 SHIM
- 772279 1 SHIM
- 772281 ● 000790383900 (6) 6 REPLACE
- 772284 ● 000099296410 (1) 1 REPLACE
- 772285 ● 000099296420 (1) 1 REPLACE
- 772286 1 SHIM
- 772287 1 SHIM
- 772288 1 SHIM
- 772292 ● 000099297270 (1) 1 REPLACE
- 772298 6 SLEEVE
- 772303 ● 000790384660 (2) 2 REPLACE
- 772305 ● 000099296310 (1) 1 REPLACE
- 772307 6 TOOL
- 772314 ● 000007749970 (1) 1 REPLACE
- 772324 ● 000790384540 (1) 1 REPLACE
- 772332 ● 000790383810 (7) 7 REPLACE
- 772333 ● 000790384530 (1) 1 REPLACE
- 772334 6 PLUG
- 772335 12 STUD
- 772336 2 BEARING
- 772350 6 SPRING
- 772352 6 SPACER
- 772353 1 PLUG

VARIOUS

MTB "MX" MX 240



HEAT EXCHANGER



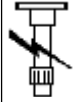
- 10516671 ● 000105166740 (8) 8 REPLACE
- 16043921 8 SCREW
- 7984207 1 GASKET
- 7984208 4 RING
- 7984209 1 ELEMENT
- 7984210 1 COVER
- 7984211 1 COVER
- 9920279 2 COVER
- 9920280 1 GASKET

△ = MOTA
 □ = IPRA

VARIOUS

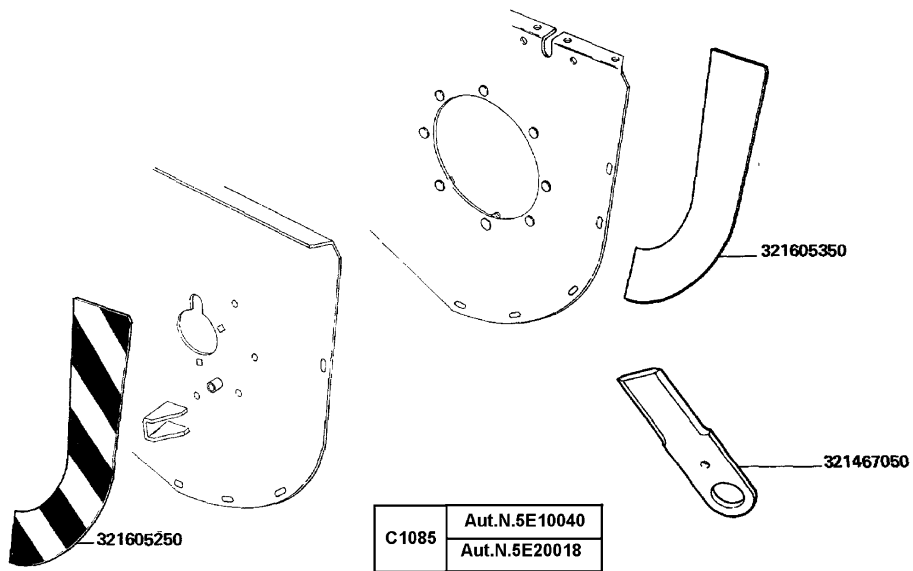
STRAW CHOPPER - EQUIPMENT

MTB "MX" MX 240



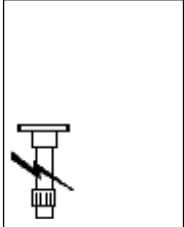
321467050
321605250
321605350

16 KNIFE
1 DECAL
1 DECAL

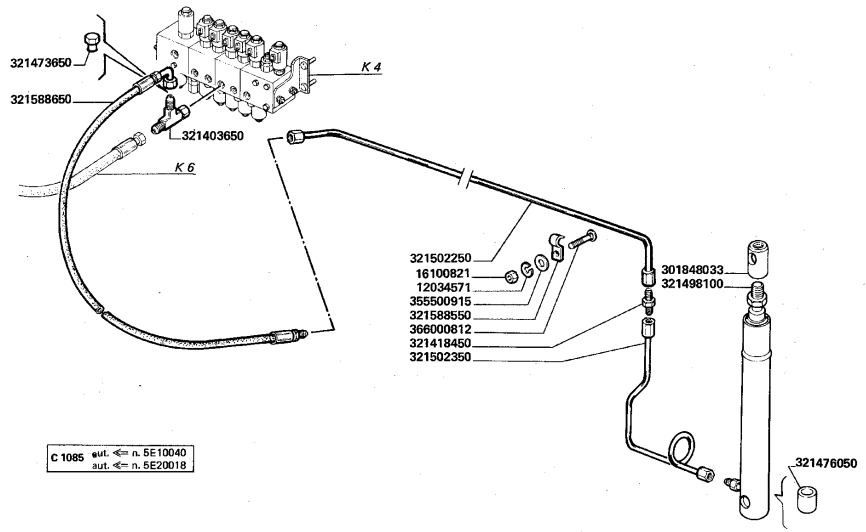


VARIOUS

MTB "MX" MX 240



STRAW CHOPPER - TIPPING CYLINDER

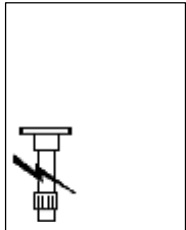


- | | |
|-----------|--------------|
| 12034571 | 1 LOCK WASHE |
| 16100821 | 4 NUT |
| 301848033 | 1 END STEM |
| 321403650 | 1 UNION |
| 321418450 | 1 UNION |
| 321473650 | 1 PLUG |
| 321476050 | 1 SPACER |
| 321498100 | 1 JACK |
| 321502250 | 1 PIPE |
| 321502350 | 1 PIPE |
| 321588550 | 4 CLAMP |
| 321588650 | 1 HOSE |
| 355500915 | 4 WASHER |
| 366000812 | 4 SCREW |

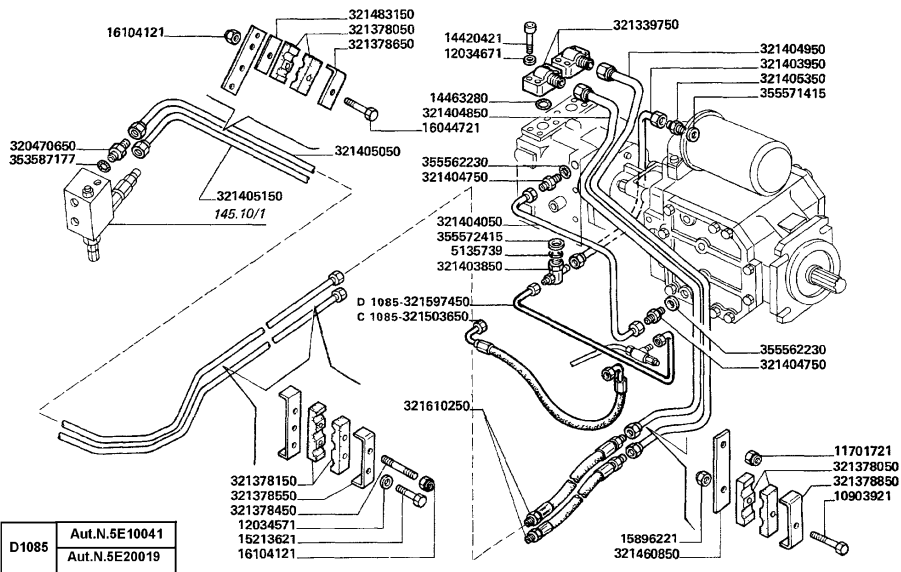
C 1085 aut. < n. 5E10040 aut. < n. 5E20018

VARIOUS

MTB "MX" MX 240



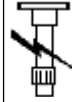
STRAW CHOPPER - UPPER TUBINGS



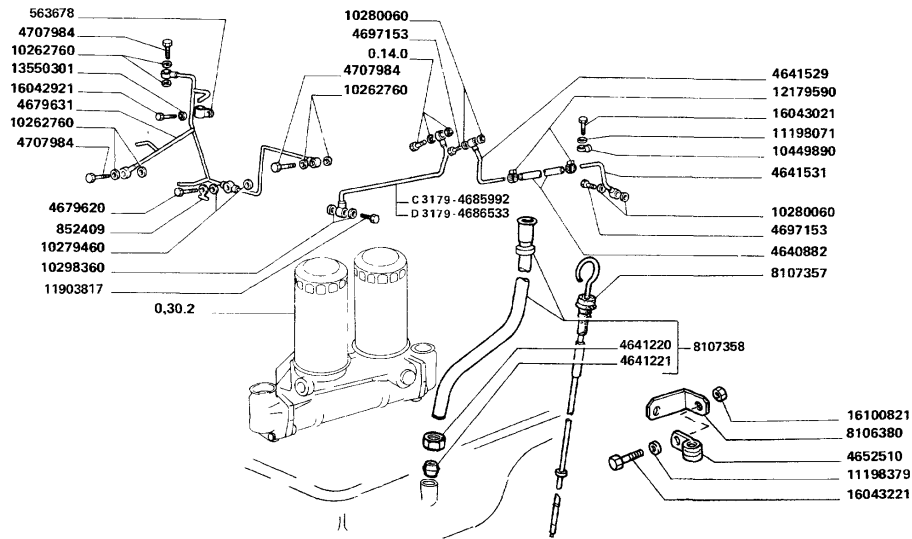
- 10903921
 - 11701721
 - 12034571
 - 12034671
 - 14420421
 - 14463280
 - 15213621
 - 15896221
 - 16044721
 - 16104121
 - 320470650
 - 321339750
 - 321378050
 - 321378150
 - 321378450
 - 321378550
 - 321378650
 - 321403850
 - 321403950
 - 321404050
 - 321404750
 - 321404850
 - 321404950
 - 321405050
 - 321405150
 - 321405350
 - 321460850
 - 321483150
 - 321503650
 - 321597450
 - 321610250
 - 353587177
 - 355562230
- 1 SCREW
 - 1 NUT
 - 2 LOCK WASHE
 - 8 LOCK WASHE
 - 8 SCREW
 - 2 O-RING
 - 2 SCREW
 - 1 NUT
 - 1 SCREW
 - 3 NUT
 - 2 UNION
 - 2 FLANGE
 - 4 BLOCK
 - 4 BLOCK
 - 2 STUD
 - 2 BRIDLE
 - 1 BRIDLE
 - 1 UNION
 - 1 PIPE
 - 1 PIPE
 - 2 UNION
 - 1 PIPE
 - 1 PIPE
 - 1 PIPE
 - 1 PIPE
 - 1 UNION
 - 2 STRAP
 - 1 SHIM
 - 1 HOSE
 - 1 PIPE
 - 2 HOSE
 - 2 O-RING
 - 2 WASHER
- 000144632810 (2)

VARIOUS

MTB "MX" MX 240



LINES AND LEVEL OIL GAUGE



10262760		6 GASKET
10279460		2 GASKET
10280060	● 000048586080 (2)	2 REPLACE
10298360	● 000048586060 (2)	2 REPLACE
10449890		1 BRACKET
11198071	● 003555009150 (9)	9 LOCK WASHE
11198379		1 LOCK WASHE
11903817		1 BOLT, BANJ
12179590	● 000130003900 (2)	2 REPLACE
13550301	● 000135503040 (1)	1 REPLACE
16042921		1 SCREW
16043021	● 000160430240 (1)	1 SCREW
16043221		1 SCREW
16100821		1 NUT
4640882		1 SLEEVE
4641220		1 NUT
4641221		1 SPINNER
4641529		1 STANDPIPE
4641531		1 STANDPIPE
4652510		1 CLAMP
4679620		1 BOLT, BANJ
4679631		1 STANDPIPE
4685992		1 STANDPIPE
4686533	● 000984435550 (1)	1 REPLACE
4697153	● 000048640830 (2)	2 REPLACE
4707984	● N.A. (0)	3 BOLT, BANJ

CLICK HERE TO **DOWNLOAD** THE COMPLETE MANUAL

- Thank you very much for reading the preview of the manual.
- You can download the complete manual from: www.heydownloads.com by clicking the link below



- Please note: If there is no response to CLICKING the link, please download this PDF first and then click on it.

CLICK HERE TO **DOWNLOAD** THE COMPLETE MANUAL