

CLEANING

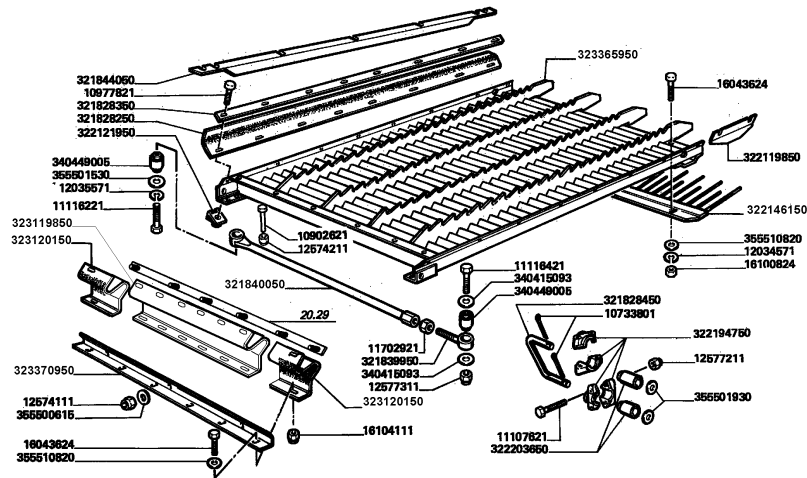
22 -
22.01/1

GRAIN PAN

MTB "M" M 306 LS (563400095_563400999)



2222.01/
1



M 305 - M 306

Table de reception
Foederboden

PIANO ALIMENTATORE

22.01

Grain pan
Zaranda

1/1 22010131002

- 10797501
- 10902621
- 10977821
- 11107621
- 11116221
- 11116421
- 11702921
- 12034571
- 12035571
- 12574111
- 12574211
- 12577211
- 12577311
- 16043624
- 16100811
- 16104111
- 321828250
- 321828350
- 321839850
- 321839950
- 321844050
- 322119850
- 322121950
- 322146150
- 322194750
- 322203650
- 323119850
- 323120150
- 323365950
- 323370950
- 340415093
- 340449005
- 355500615
- 000107350010 (1)
- 1 LINCH PIN
- 1 SCREW
- 1 SCREW
- 8 SCREW
- 1 SCREW
- 1 SCREW
- 1 NUT
- 1 LOCK WASHE
- 1 LOCK WASHE
- 1 NUT
- 1 NUT
- 1 NUT
- 1 NUT
- 2 SCREW
- 1 NUT
- 1 NUT
- 1 CONVEYOR
- 1 STRAP
- 1 ARM
- 1 HEAD
- 1 PLATE
- 1 PANEL
- 1 NUT
- 1 RAKE
- 1 SUPPORT
- 1 BUSH
- 2 GASKET
- 1 GRAIN PAN
- 1 PROFILE
- 3 SPACER
- 1 SILENTBLOC
- 1 WASHER

CLICK HERE TO **DOWNLOAD** THE COMPLETE MANUAL

- Thank you very much for reading the preview of the manual.
- You can download the complete manual from: www.heydownloads.com by clicking the link below



- Please note: If there is no response to CLICKING the link, please download this PDF first and then click on it.

CLICK HERE TO **DOWNLOAD** THE COMPLETE MANUAL

CLEANING

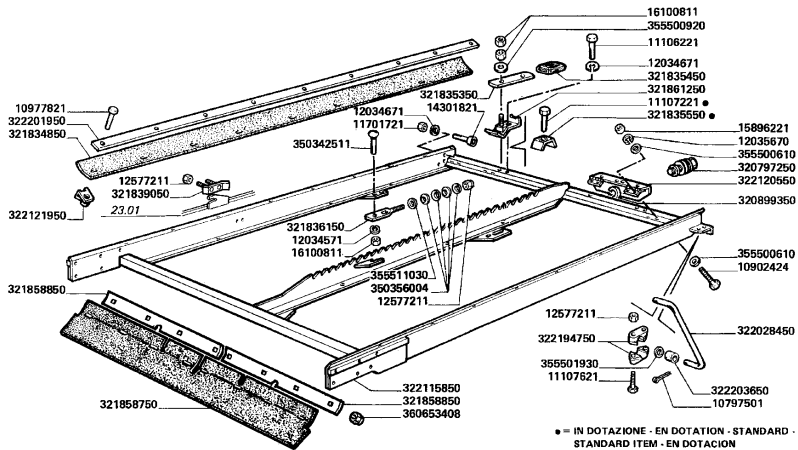
22 -
22.05/1

UPPER SHAKER SHOE

MTB "M" M 306 LS (563400095_563400999)



2222.05/
1



• = IN DOTAZIONE - EN DOTACION - STANDARD -
STANDARD ITEM - EN DOTACION

M 305 - M 306

Hotte de nettoyage supérieur
Oberschwimgkasten

CASSONE OSCILLANTE SUPERIORE

Upper shaker shoe
Zaranda superior

22.05

1/1 22050552003

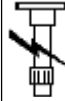
- 10797501 ● 000107350010 (4) 4 LINCH PIN
- 10902424 1 SCREW
- 10977821 1 SCREW
- 11106221 1 SCREW
- 11107221 1 SCREW
- 11107621 1 SCREW
- 11701721 1 NUT
- 12034571 3 LOCK WASHE
- 12035670 ● 000120356710 (1) 1 LOCK WASHE
- 12577211 3 NUT
- 14301821 1 SCREW
- 15896221 1 NUT
- 16100811 2 NUT
- 320797250 1 STEM
- 320899350 1 WASHER
- 321834850 1 GASKET
- 321835350 1 LEVER
- 321835450 1 HANDLE GRI
- 321835550 1 EXTENSION,
- 321836150 1 TIE ROD
- 321839050 1 RETAINER
- 321858750 1 GASKET
- 321858850 2 STRAP
- 321861250 1 SUPPORT
- 322028450 1 CONROD
- 322115850 1 CASE
- 322120550 1 SUPPORT
- 322121950 1 NUT
- 322194750 1 SUPPORT
- 322201950 1 STRAP
- 322203650 1 BUSH
- 350342511 1 SCREW

CLEANING

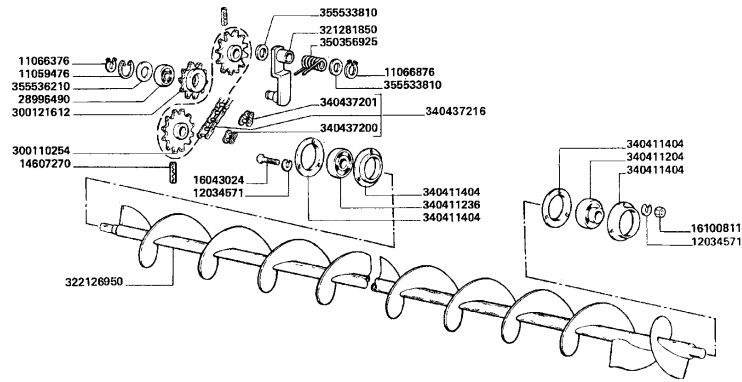
22 -
22.07/5

TAILINGS ELEVATOR (NORMAL) page5

MTB "M" M 306 LS (563400095_563400999)



2222.07/
5



- 11059476 1 SPRING LOC
- 11066376 1 SPRING LOC
- 11066876 1 SPRING LOC
- 12034571 6 LOCK WASHE
- 14607270 2 PLUG
- 16043024 ● 000160430240 (3) 3 SCREW
- 16100811 3 NUT
- 28996490 1 BEARING
- 300110254 1 GEAR
- 300121612 ● 003232915500 (1) 1 CHAIN ADJU
- 321281850 1 CHAIN ADJU
- 322126950 1 AUGER
- 340411204 1 BEARING
- 340411236 1 BEARING
- 340411404 4 FLANGE COU
- 340437200 ● 003278401250 (1) 1 CONNECTING
- 340437201 ● 003278401290 (1) 1 PLATE
- 340437216 1 CHAIN ASA
- 350356925 1 SPRING
- 355533810 2 WASHER
- 355536210 1 WASHER

M 305 - M 306

ELEVATORE RECUPERO(NORMALE) (CASSA)
Elévateur à otos (normale) Tailing elevator (normal)
Ueberkehrelevator (normal) Caja elevador retorno (normal)

22.07

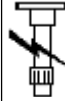
5/5 22070316000

CLEANING

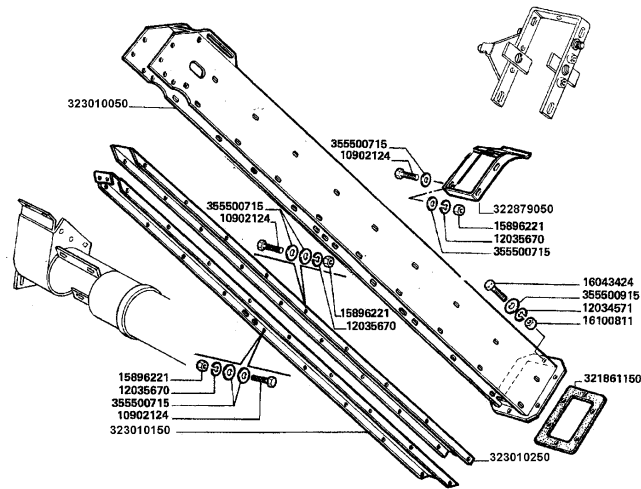
22 -
22.15/1

TAILINGS ELEVATOR (ANTHWEAR) page 1

MTB "M" M 306 LS (563400095_563400999)



2222.15/
1



- 10902124
- 12034571
- 12035670
- 15896221
- 16043424
- 16100811
- 321861150
- 322879050
- 323010050
- 323010150
- 323010250
- 355500715
- 355500915
- 3 SCREW
- 1 LOCK WASHE
- 3 LOCK WASHE
- 3 NUT
- 1 SCREW
- 1 NUT
- 1 SHIM
- 1 COVER
- 1 TAILINGS E
- 1 PLATE
- 1 PLATE
- 6 WASHER
- 1 WASHER

● 000120356710 (3)

M 305 - M 306

ELEVATORE RECUPERO (ANTIUSURA) (CASSA)
Elevateur à otos (normale)
Ueberkehrelevator (normal)
Tailing elevator (normal)
Caja elevador retorno (normal)

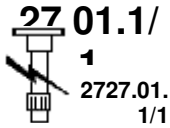
22.15

1/5 22150332000

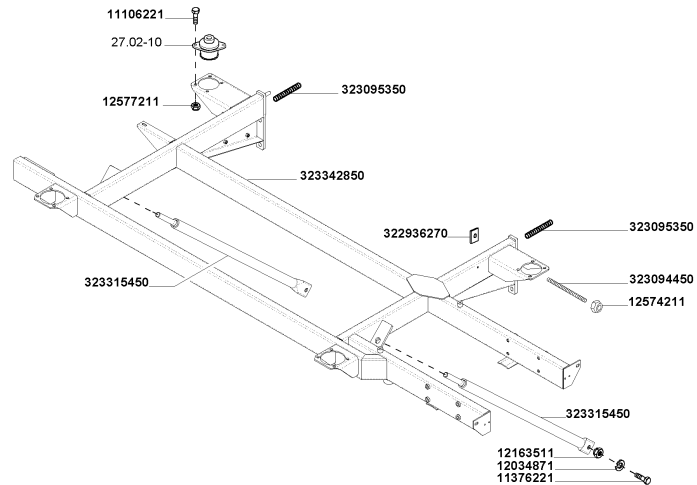
DRIVE'S PLATFORM

27 -

PLATFORM SUPPORT



MTB "M" M 306 LS (563400095_563400999)



- 0001110622 16 SCREW
- 10
- 0001137622 2 SCREW
- 10
- 0001203487 2 LOCK WASHE
- 10
- 0001216351 2 NUT
- 10
- 0001257421 1 NUT
- 10
- 0001257721 16 NUT
- 10
- 0032293627 1 PLATE
- 00
- 0032309445 1 ROD
- 00
- 0032309535 2 SCREW
- 00
- 0032331545 2 STRUT
- 00
- 0032334285 1 FRAME
- 00

M 306 LS

SUPPORTO MODULO DI GUIDA

*Support poste de conduite
Fahrerstandplattform halterung*

*Platform support
Soporte plataforma*

27.01

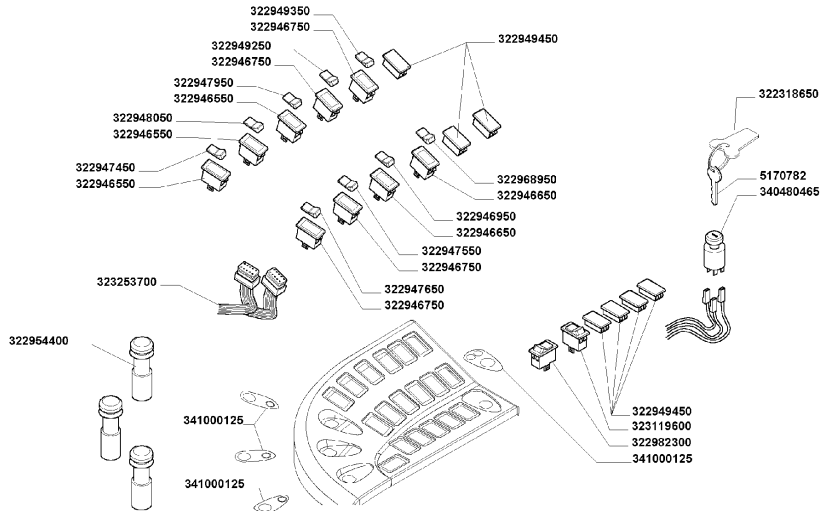
1/1 27010332000

27 02/09



2727.02/09

MTB "M" M 306 LS (563400095_563400999)



CABINA-CONSOLLE

27.02

M 305 - M 306

Cabine - Consolle
Kabine - Consolle

Cab - Consolle
Cabina - Consolle

9/13 27020332000

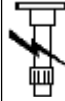
- 322318650 1 KEY
- 322946550 3 BUTTON
- 322946650 2 BUTTON
- 322946750 4 BUTTON
- 322946950 1 BUTTON
- 322947450 1 BUTTON
- 322947550 1 BUTTON
- 322947650 1 BUTTON
- 322947950 1 BUTTON
- 322948050 1 BUTTON
- 322949250 2 BUTTON
- 322949450 8 PLUG
- 322954400 1 BUTTON
- 322968950 1 BUTTON
- 322982300 1 BUTTON
- 323060600 1 WIRE/CABLE
- 323119600 1 BUTTON
- 340480465 1 SWITCH
- 341000125 3 DECAL
- 5170782 1 KEY

DRIVE'S PLATFORM

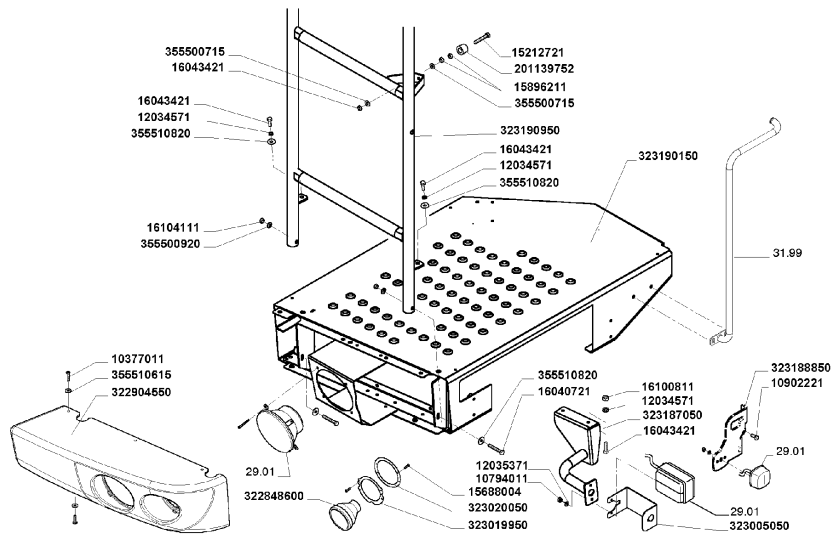
**27 -
27.04/2**

CAB - PLATTFORM FOOTBOARDS

MTB "M" M 306 LS (563400095_563400999)



**2727.04/
2**



M 305 - M 306

*Cabina - Marches pieds poste de conduite
Kabine - Plattformtrittbreiter*

CABINA-PEDANA PIATTAFORMA SINISTRA

*Cab - Plattform footboards
Cabina - Estribcs plataforma*

27.04

2/2 27040332000

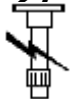
- | | |
|-----------|--------------|
| 10377011 | 1 SCREW |
| 10794011 | 1 NUT |
| 10902021 | 1 SCREW |
| 12034571 | 2 LOCK WASHE |
| 12035371 | 1 LOCK WASHE |
| 12035671 | 1 LOCK WASHE |
| 15212721 | 1 SCREW |
| 15688004 | 1 SCREW |
| 15896211 | 3 NUT |
| 16040721 | 1 SCREW |
| 16043421 | 3 SCREW |
| 16100811 | 2 NUT |
| 16104111 | 1 NUT |
| 201139752 | 1 RUBBER STO |
| 322848600 | 1 LIGHT |
| 322904550 | 1 COACHWORK |
| 323005050 | 1 SUPPORT |
| 323019950 | 1 PLATE |
| 323020050 | 1 PLATE |
| 323187050 | 1 STIRRUP |
| 323188850 | 1 BRACKET PL |
| 323190150 | 1 LANDING |
| 323190950 | 1 SHIELD |
| 355500715 | 2 WASHER |
| 355500920 | 1 WASHER |
| 355510615 | 1 WASHER |
| 355510820 | 3 WASHER |
| 355520620 | 2 WASHER |

DRIVE'S PLATFORM

27 -

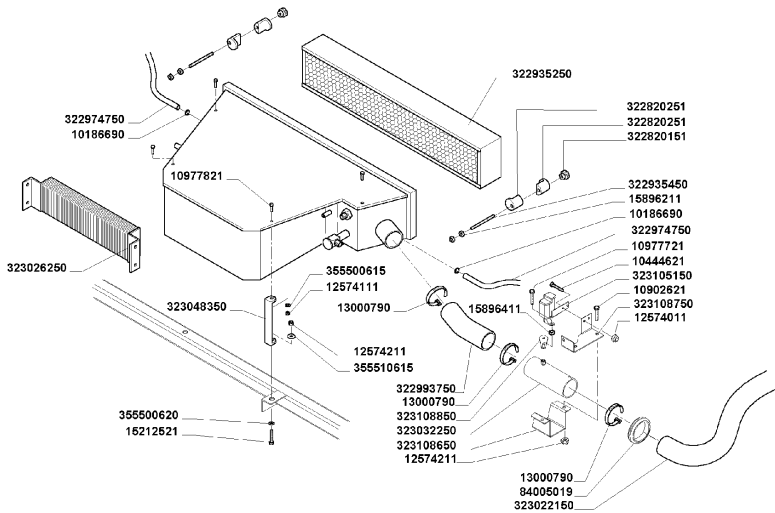
CAB - AIR CONDITIONER page 2

27 13/09



2727.13/
09

MTB "M" M 306 LS (563400095_563400999)



CABINA-CLIMATIZZATORE/2

27.13

M 305 - M 306

Cabine - Climatiseur
Kabine - Klimagerat

Cab - Air conditioner
Cabina - Klimatisator

9/12 27130332000

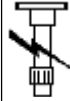
- | | | |
|--------------------|---|------------|
| 10186690 | 2 | COLLAR |
| 10444621 | 1 | SCREW |
| 10902621 | 1 | SCREW |
| 10977721 | 1 | SCREW |
| 10977821 | 1 | SCREW |
| 12574011 | 2 | NUT |
| 12574111 | 1 | NUT |
| 12574211 | 1 | NUT |
| 13000790 | 3 | COLLAR |
| 15212521 | 1 | SCREW |
| 15896211 | 1 | NUT |
| 15896411 | 1 | NUT |
| 322820151 | 1 | KNOB |
| 322820251 | 2 | RETAINER |
| 322935250 | 1 | FILTER |
| 322935450 | 1 | STUD |
| 322974750 | 2 | PIPE |
| 322993750 | 1 | PIPE AIR |
| 323022150 | 1 | PIPE AIR |
| 323026250 | 1 | HEAT EXANG |
| ● 003227949350 (1) | 1 | PIPE |
| 323032250 | 1 | STIRRUP |
| 323048350 | 1 | ELECTRIC M |
| 323105150 | 1 | BRIDLE |
| 323108650 | 1 | BRIDLE |
| 323108750 | 1 | LEVER LEAD |
| 323108850 | 1 | WASHER |
| 355500615 | 1 | WASHER |
| 355500620 | 1 | WASHER |
| 355510615 | 1 | WASHER |
| 84005019 | 1 | RING |

DRIVE'S PLATFORM

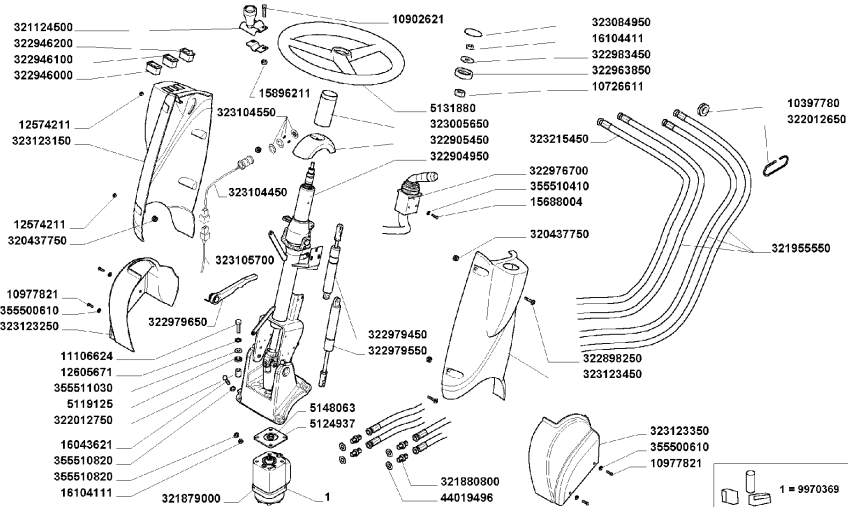
27 -
27.25/1

CAB - STEERING COLUMN

MTB "M" M 306 LS (563400095_563400999)



2727.25/
1



M 305 - M 306

Cabine - Colonne de direction
Kabina - Lenkisaakou

CABINA-COLONNA STERZO

Cab - Steering column
Cabina - Columna de dirección

27.25

1/1 27250332000

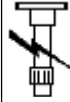
- | | | |
|-----------|--------------------|--------------|
| 10397780 | | 1 RING |
| 10726611 | ● 000004126240 (1) | 1 NUT |
| 10902621 | | 1 SCREW |
| 10977821 | | 1 SCREW |
| 11106624 | | 1 SCREW |
| 12574211 | | 2 NUT |
| 12605671 | | 1 LOCK WASHE |
| 15688004 | | 1 SCREW |
| 15896211 | | 1 NUT |
| 16043621 | | 1 SCREW |
| 16104111 | | 1 NUT |
| 16104411 | ● 000161044140 (1) | 1 NUT |
| 320437750 | | 1 GROMMET |
| 321124500 | | 1 HANDLE GRI |
| 321879000 | | 1 STEERING H |
| 321880800 | | 1 UNION |
| 321955550 | | 3 HOSE |
| 321955550 | | 2 HOSE |
| 322012650 | | 1 SHIELD |
| 322012750 | | 1 SPACER |
| 322898250 | | 1 SCREW |
| 322904950 | | 1 STEERING C |
| 322905450 | | 1 COVER |
| 322946000 | | 1 INDICATOR |
| 322946100 | | 1 INDICATOR |
| 322946200 | | 1 BUTTON |
| 322963850 | | 1 RING |
| 322979450 | | 1 SPRING |
| 322979550 | | 1 SPRING |
| 322979650 | | 1 LEVER REGU |
| 322983450 | ● 003229834503 (1) | 1 PLATE |

ELETRIC SYSTEM

29 -
29.03/3

CONTROL CIRCUITS page 3

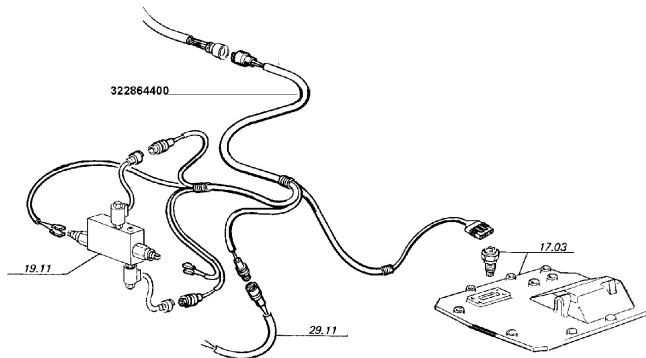
MTB "M" M 306 LS (563400095_563400999)



2929.03/
3

322864400

1 WIRE/CABLE



M 305 - M 306

Circuits de contrôle
Kontrolkreisl

CIRCUITI DI CONTROLLO

Control circuits
Circuitos de control

29.03

3/8 29030332000

ELETRIC SYSTEM

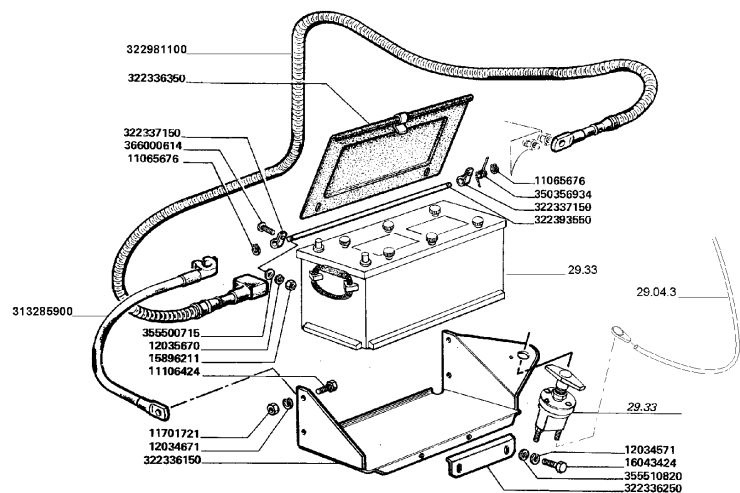
29 -
29.04/4

STARTING CIRCUITS page4

MTB "M" M 306 LS (563400095_563400999)



2929.04/
4



- 11065676
- 11106424
- 11701721
- 12034571
- 12034671
- 12035670
- 15896211
- 16043424
- 313285900
- 322336150
- 322336250
- 322336350
- 322337150
- 322393550
- 322981100
- 350356934
- 355500715
- 355510820
- 366000614
- 1 SPRING LOC
- 1 SCREW
- 1 NUT
- 1 LOCK WASHE
- 1 LOCK WASHE
- 1 LOCK WASHE
- 1 NUT
- 1 SCREW
- 1 WIRE/CABLE
- 1 FRAME
- 1 STRAP
- 1 COVER
- 1 CLAMP
- 1 PIN
- 1 WIRE/CABLE
- 1 SPRING
- 1 WASHER
- 1 WASHER
- 1 SCREW

● 000120356710 (1)

M 305 - M 306

CIRCUITI DI AVVIAMENTO MOTORE
*Circuits électriques du lancement moteur
batteriekabel*

Starting circuits
Circuitos de arranque motor

29.04

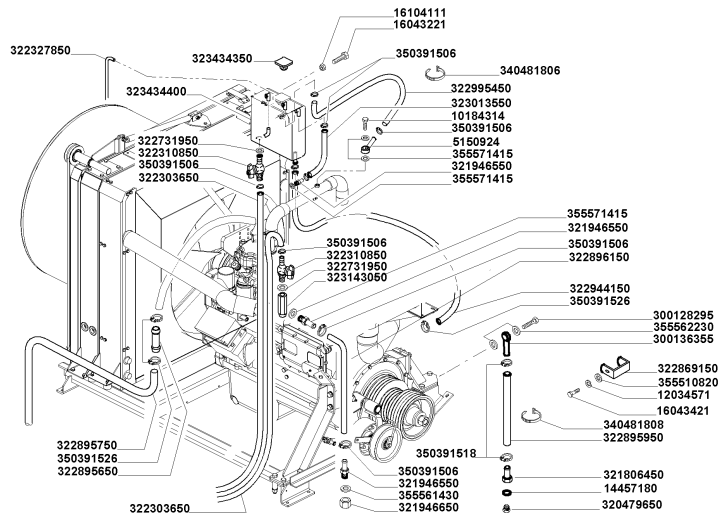
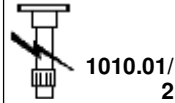
4/4 29040332001

ENGINE INSTALLATION

10 -
10.01/2

ENGINE INSTALLATION page 2

MTB "M" M 306 LS (563400095_563400999)



M 306

Installation du moteur
Motor installation

INSTALLAZIONE MOTORE


Engine installation
Instalacion motor

10.01

2/4 10010332001

- | | | |
|-----------|--------------------|--------------|
| 10184314 | | 1 UNION |
| 10186490 | | 2 COLLAR |
| 12034571 | | 1 LOCK WASHE |
| 14457180 | | 1 O-RING |
| 16043221 | | 1 SCREW |
| 16043421 | | 1 SCREW |
| 16104111 | | 1 NUT |
| 19053182 | ● 000190531829 (1) | 1 HOSE |
| 320479650 | ● 003227093500 (1) | 1 PLUG |
| 321806450 | | 1 BOLT, BANJ |
| 321946550 | | 3 BOLT, BANJ |
| 321946650 | | 1 PLUG |
| 322303850 | | 2 HOSE |
| 322310850 | | 3 DRAINCOCK/ |
| 322310850 | | 1 DRAINCOCK/ |
| 322327850 | | 1 PIPE |
| 322638350 | | 1 PLUG |
| 322731950 | | 1 WASHER |
| 322731950 | | 2 WASHER |
| 322869150 | | 1 STIRRUP |
| 322895650 | | 1 PIPE |
| 322895750 | | 1 PIPE |
| 322896150 | | 2 PIPE |
| 322944150 | | 1 PIPE |
| 322995200 | ● 003234344000 (1) | 1 TANK |
| 322995450 | ● 003230134500 (1) | 1 PIPE |
| 323013550 | | 1 PIPE |
| 323143050 | | 1 UNION |
| 340481806 | | 1 CLAMP |
| 340481808 | ● 003404818090 (1) | 1 CLAMP |

ENGINE INSTALLATION

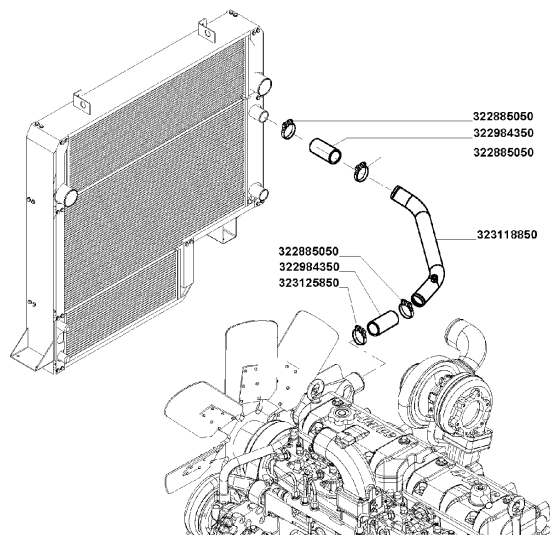
10 -
10 07/02

1010.07/02

RADIATOR FILTER page 2

MTB "M" M 306 LS (563400095_563400999)

322885050
 322984350
 323118850

4 CLAMP
 2 SLEEVE
 1 PIPE



M 306

*Filtre radiateur
 Kuehlerfilter*

FILTRO ROTANTE - RADIATORE

*Radiator filter
 Filtro radiador*

10.07

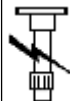
2/10 10070332001

ENGINE INSTALLATION

**10 -
10.07/B**

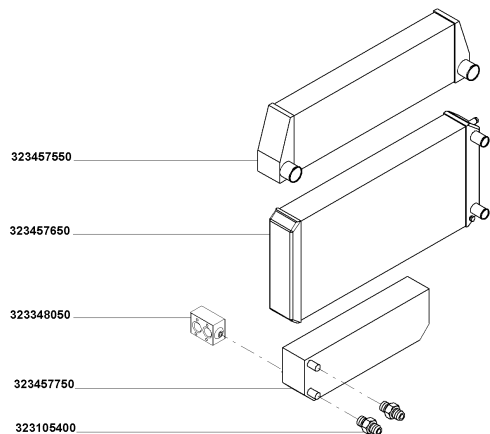
Radiator

MTB "M" M 306 LS (563400095_563400999)



**1010.07/
B**

- | | |
|-----------|---------|
| 323105400 | 2 UNION |
| 323348050 | 1 VALVE |
| 323457550 | 1 VALVE |
| 323457650 | 1 VALVE |
| 323457750 | 1 VALVE |



M 305 - M 306

ELEMENTI RADIATORE (323445100 - 323445200)
Elements de radiateur
Kuehlelemente
Radiator elements
Elementos radiador

10.07 - B

FRONT ELEVATOR

19 -

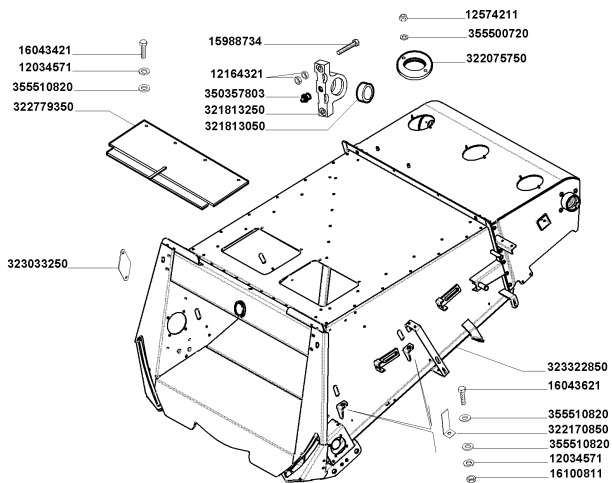
FRONT ELEVATOR page1

19 04/01



1919.04/
01

MTB "M" M 306 LS (563400095_563400999)



- | | |
|-----------|--------------|
| 12034571 | 1 LOCK WASHE |
| 12164321 | 1 NUT |
| 12574211 | 1 NUT |
| 15988734 | 1 SCREW |
| 16043421 | 1 SCREW |
| 16043621 | 1 SCREW |
| 16100811 | 1 NUT |
| 321813050 | 1 BUSH |
| 321813250 | 1 SUPPORT |
| 322075750 | 1 COVER |
| 322170850 | 1 BRACKET, S |
| 322779350 | 1 LID |
| 323033250 | 1 PANEL |
| 323322850 | 1 CASHIER |
| 350357803 | 1 NIPPLE, LU |
| 355500720 | 1 WASHER |
| 355510820 | 5 WASHER |

● 003555007150 (1)

M 305 - M 306

Elevateur avant
Vorderelevator

ELEVATORE ANTERIORE

Front elevator
Elevador anterior

19.04

1/14 19030572000

FRONT ELEVATOR

19 -

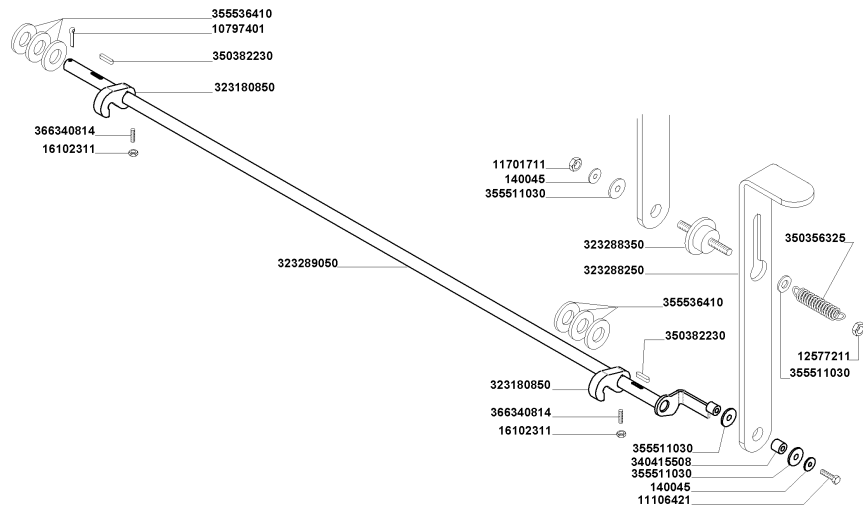
FRONT ELEVATOR page9

19 04/09



1919.04/09

MTB "M" M 306 LS (563400095_563400999)



- | | | |
|-----------|--------------------|--------------|
| 11113821 | | 1 SCREW |
| 11127521 | | 2 SCREW |
| 11408621 | | 2 SCREW |
| 12034871 | | 1 LOCK WASHE |
| 12035071 | | 2 LOCK WASHE |
| 12163311 | | 2 NUT |
| 12164311 | ● 000121643210 (1) | 1 NUT |
| 323180850 | | 1 HOOK |
| 323288250 | | 1 LEVER |
| 323288350 | | 1 PIN |
| 323289050 | | 1 SHAFT |
| 340415508 | | 1 BUSH |
| 350356325 | | 1 SPRING |
| 350382230 | | 1 KEY |
| 355501320 | | 2 WASHER |
| 355501740 | | 1 WASHER |
| 355502140 | | 1 WASHER |
| 355511030 | | 3 WASHER |
| 366340814 | | 1 SCREW |

M 305 - M 306

ELEVATORE ANTERIORE STANDARD (AGGANCIAMENTO TESTATA)

Elevateur avant
Vorderelevator

Front elevator
Elevador anterior

19.05

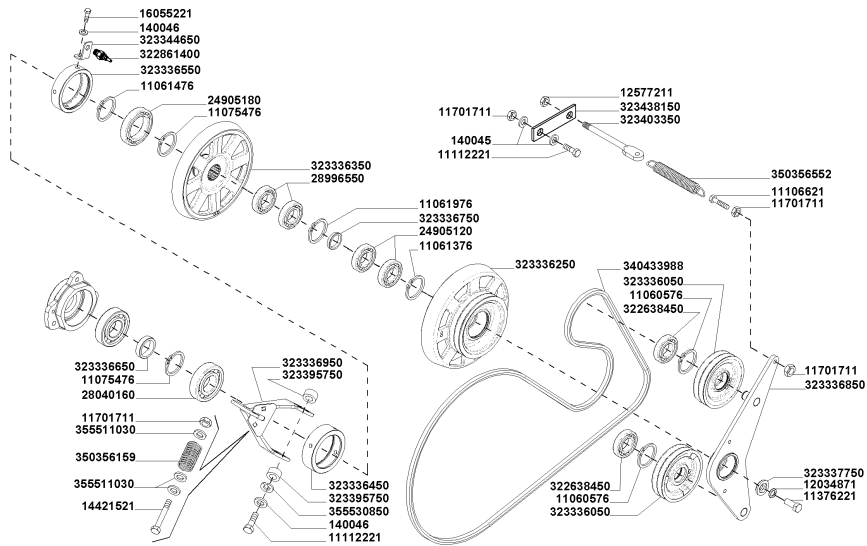
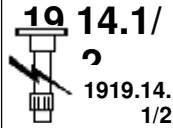
9/14 19050332000

FRONT ELEVATOR

19 -

REVERSER page 2

MTB "M" M 306 LS (563400095_563400999)



- 11060576 2 SPRING LOC
- 11061376 2 SPRING LOC
- 11061976 2 SPRING LOC
- 11075476 2 SPRING LOC
- 11075476 2 SPRING LOC
- 11061476 2 SPRING LOC
- 11106621 2 SCREW
- 11112221 2 SCREW
- 11701711 2 NUT
- 11701711 2 NUT
- 12577211 2 NUT
- 140045 2 WASHER
- 140046 2 WASHER
- 14421521 2 WASHER
- 16055221 2 SCREW
- 24905120 1 BEARING
- 24905180 ● 000249053600 (1) 1 BEARING
- 28040160 1 BEARING
- 28996550 1 BEARING
- 322638450 2 BEARING
- 322861400 1 SENSOR
- 323336050 2 TENSION SL
- 323336250 ● 003233362505 (1) 1 PULLEY
- 323336350 ● 003233363505 (1) 1 DISC
- 323336450 1 FERRULE
- 323336550 1 FERRULE
- 323336650 1 SPACER
- 323336750 1 SPACER
- 323336850 1 COUNTER WE
- 323336950 1 LEVER
- 323337750 1 WASHER

M 306 LS

Inverseur
Ruecklaufvorrichtung

INVERSORE

Reverser
Inversor

19.14

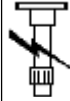
2/2 19140332000

GUARD

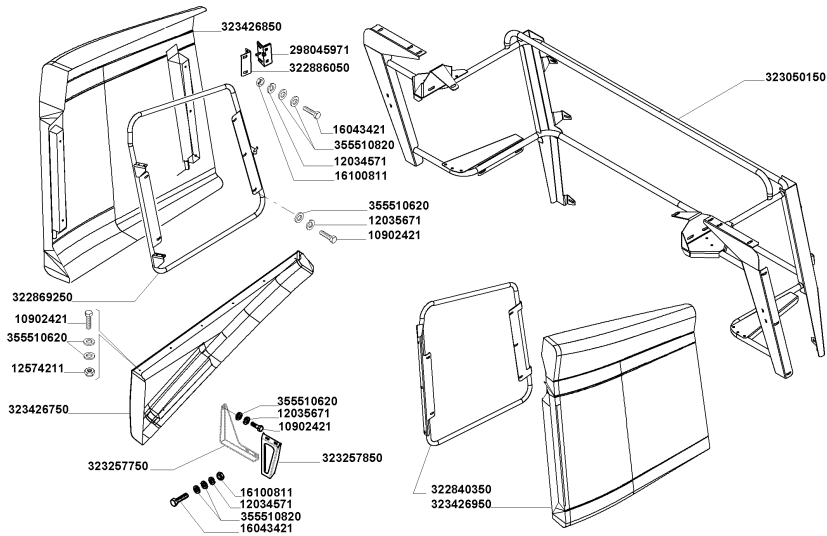
26 -
26.08/4

BODY REAR page 1

MTB "M" M 306 LS (563400095_563400999)



2626.08/
4



- 0032342675 00 1 COVER
- 0032342685 00 1 LID
- 0032342695 00 1 LID
- 10902421 3 SCREW
- 12034571 2 LOCK WASHE
- 12035671 2 LOCK WASHE
- 12574211 1 NUT
- 16043821 1 SCREW
- 16100811 2 NUT
- 322316750 1 LOCK
- 322840350 1 FRAME
- 322869250 1 FRAME
- 322886050 1 SUPPORT
- 323050150 1 FRAME
- 003234433500 (1)
- 003234434500 (1)
- 003234435500 (1)
- 003234436500 (1)
- 323257750 1 STIRRUP
- 323257850 1 STIRRUP
- 355510620 ● 003555106150 (3)
- 355510820 3 WASHER
- 2 WASHER

M 305 - M 306

Carenage
Haube

CARENATURA POSTERIORE

Body rear
Carenado

26.08

4/7 26080332000

HYDRAULIC SYSTEM

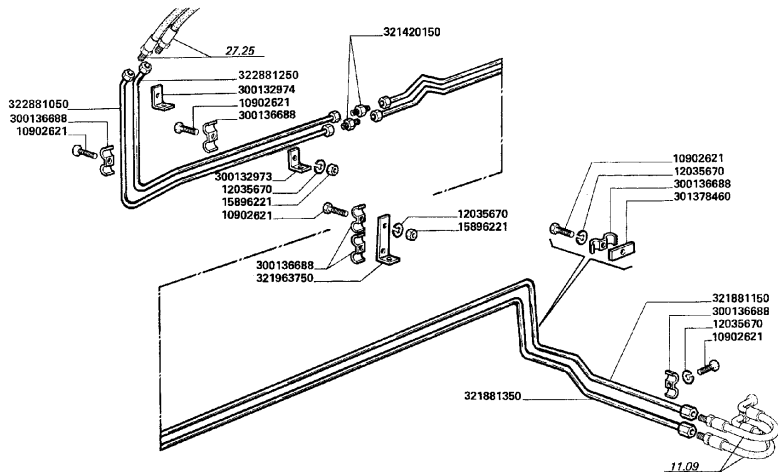
28 -
28.05/2

DRIVE HYDRAULIC CIRCUIT page2

MTB "M" M 306 LS (563400095_563400999)



2828.05/
2



- | | | |
|-----------|---------------------|---------------|
| 10902621 | | 14 SCREW |
| 12035670 | ● 000120356710 (11) | 11 LOCK WASHE |
| 15896221 | | 11 NUT |
| 300132973 | | 2 BRIDLE |
| 300132974 | | 1 BRIDLE |
| 300136688 | | 14 BRIDLE |
| 301378460 | | 1 BRIDLE |
| 321420150 | | 3 UNION |
| 321881150 | | 1 STANDPIPE |
| 321881350 | | 1 PIPE |
| 321963750 | | 1 BRIDLE |
| 322881050 | | 1 UNION |
| 322881250 | ● 003230419500 (1) | 1 PIPE |

M 305 - M 306

Circuiti idraulici de direcion
kreislauf des hydrolenkung

CIRCUITI IDRAULICI IDROGUIDA

Drive hydraulic circuit
Circuitos direcccion hidraulica

28.05

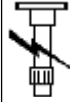
2/2 28050332000

HYDRAULIC SYSTEM

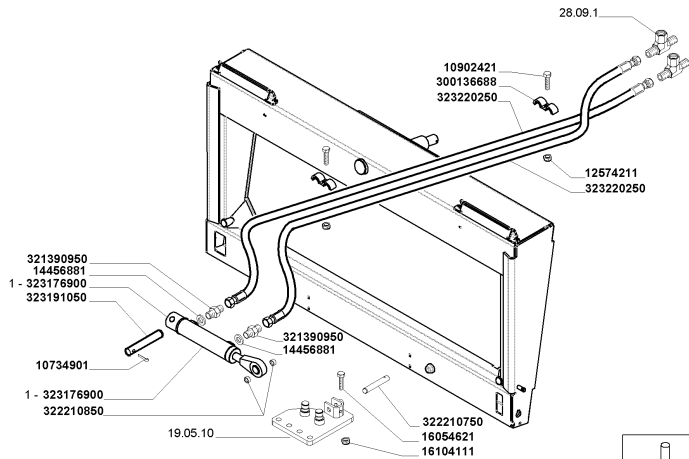
28 -
28.09/3

CUTTER BAR LEVELLING SYSTEM page 3

MTB "M" M 306 LS (563400095_563400999)



2828.09/
3



- | | |
|-----------|-------------|
| 10734901 | 1 LINCH PIN |
| 10902421 | 1 SCREW |
| 12574211 | 1 NUT |
| 14456881 | 2 O-RING |
| 16054621 | 1 SCREW |
| 16104111 | 1 NUT |
| 300136688 | 1 BRIDLE |
| 321390950 | 2 UNION |
| 322210750 | 1 PIN |
| 322210850 | 1 SPACER |
| 322545300 | 1 KIT SEALS |
| 323176900 | 1 JACK |
| 323176900 | 1 JACK |
| 323191050 | 1 DOWEL |
| 323220250 | 1 PIPE |
| 323220250 | 1 PIPE |

M 306 LS

CIRCUITO IDRAULICO ORIENTAMENTO TESTATA

Circuit hydraulique orientation equipment
Hydrauliksystem fuer schneidwerk-hangausgleich
Hydraulic device for header orientation
Circuito hidraulico orientación de la plataforma

28.09.1

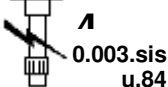
3/3 28090345000

SISU Diesel 84

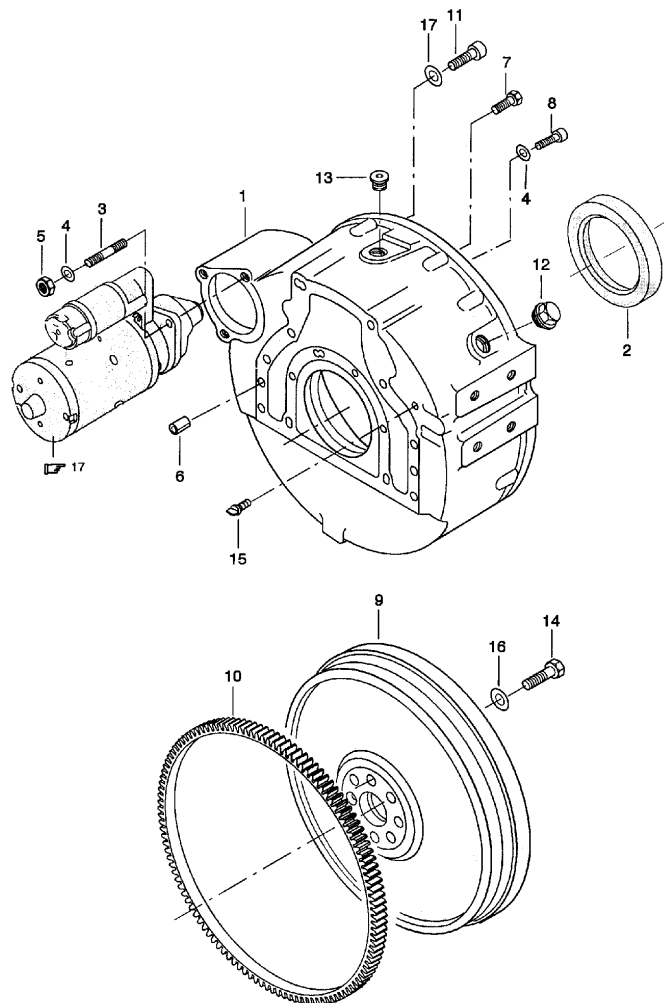
0.00

BOX

3 sisu.8



MTB "M" M 306 LS (563400095_563400999)



- | | | | | |
|----|-----------|--------------------|---|----------|
| 1 | 836647440 | | 1 | BOX |
| 2 | 836840884 | | 1 | GASKET |
| 3 | 546801800 | | 3 | STUD |
| 4 | 500951000 | | 6 | WASHER |
| 5 | 504601000 | | 3 | NUT |
| 6 | 598359850 | | 2 | PIN |
| 7 | 528902220 | ● 005287022200 (6) | 6 | BOLT |
| 8 | 581705030 | | 6 | BOLT |
| 9 | 836864270 | | 1 | FLYWHEEL |
| 10 | 836117970 | | 1 | GEAR |
| 11 | 581705440 | | 2 | BOLT |
| 12 | 640045126 | | 1 | PLUG |
| 13 | 640325018 | | 1 | PLUG |
| 14 | 528702620 | | 8 | BOLT |
| 15 | 836859311 | | 1 | PLUG |
| 16 | 500951400 | | 8 | WASHER |
| 17 | 500951200 | | 1 | WASHER |

CLICK HERE TO **DOWNLOAD** THE COMPLETE MANUAL

- Thank you very much for reading the preview of the manual.
- You can download the complete manual from: www.heydownloads.com by clicking the link below



- Please note: If there is no response to CLICKING the link, please download this PDF first and then click on it.

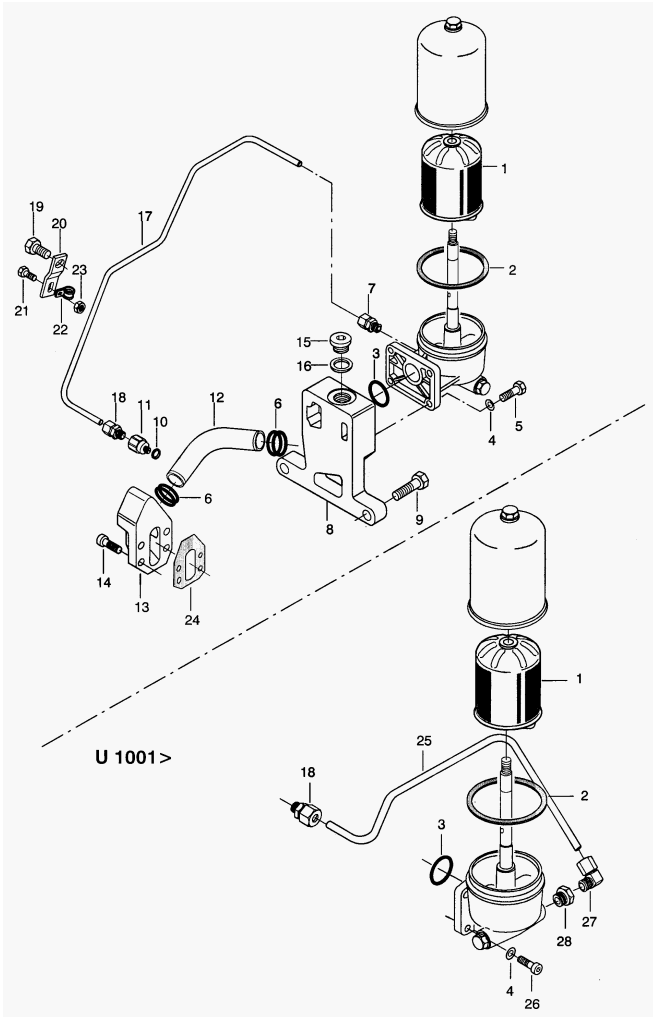
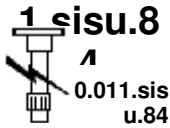
CLICK HERE TO **DOWNLOAD** THE COMPLETE MANUAL

SISU Diesel 84

0.01

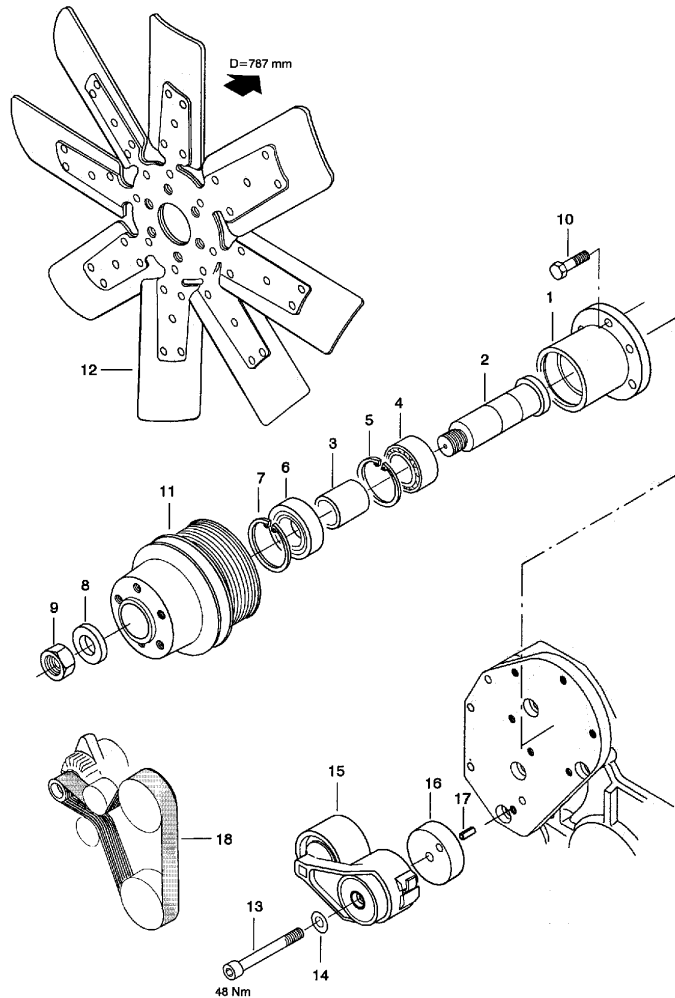
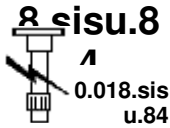
FILTER

MTB "M" M 306 LS (563400095_563400999)



- | | | |
|--------------|----------|--------------|
| 836359603 | | 1 OIL FILTER |
| 1 836362228 | | 1 FILTER, EL |
| 2 836362229 | | 1 GASKET |
| 3 836664226 | | 1 O-RING |
| 4 500951000 | | 4 WASHER |
| 5 528801810 | | 4 BOLT |
| 6 614903430 | | 4 O-RING |
| 7 641830008 | | 1 CONNECTION |
| 8 837067970 | | 1 CONTROL BL |
| 9 528803042 | | 2 BOLT |
| 10 615871016 | | 1 GASKET |
| 11 836120022 | | 1 NIPPLE, LU |
| 12 837067968 | | 1 PIPE |
| 13 837067969 | | 1 CONTROL BL |
| 14 581804630 | | 4 BOLT |
| 15 640325039 | | 1 PLUG |
| 16 615893946 | | 1 GASKET |
| 17 837067967 | | 1 PIPE |
| 18 641016008 | | 1 CONNECTION |
| 19 528802602 | | 1 BOLT |
| 20 837070381 | | 1 SUPPORT |
| 21 528801380 | | 1 BOLT |
| 22 602060610 | | 1 CLAMP |
| 23 504800802 | | 1 NUT |
| 24 836866958 | | 1 GASKET |
| 25 836873282 | U 1001 > | 1 PIPE |
| 26 581705030 | | 4 BOLT |
| 27 641166008 | U 1001 > | 1 Tube |
| 28 836673155 | U 1001 > | 1 UNION |

MTB "M" M 306 LS (563400095_563400999)



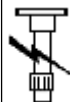
- | | | | |
|----|-----------|---|------------|
| 1 | 836855758 | 1 | HOUSING |
| 2 | 836855755 | 1 | SHAFT |
| 3 | 836855757 | 1 | SLEEVE |
| 4 | 610032065 | 1 | BEARING |
| 5 | 617350062 | 1 | CIRCLIP |
| 6 | 610063064 | 1 | BEARING |
| 7 | 617330072 | 1 | CIRCLIP |
| 8 | 836855756 | 1 | WASHER |
| 9 | 504602002 | 1 | NUT |
| 10 | 528801810 | 6 | BOLT |
| 11 | 836859288 | 1 | PULLEY |
| 12 | 836859665 | 1 | FAN |
| 13 | 529801950 | 1 | BOLT |
| 14 | 500951000 | 1 | WASHER |
| 15 | 836667411 | 1 | TENSIONER, |
| 16 | 836867902 | 1 | BASE PLATE |
| 17 | 595954600 | 1 | PIN |
| 18 | 685121370 | 1 | BELT |

STRAW WALKERS

21 -
21.06/2

PARTS FOR NORMALS SOILS page2

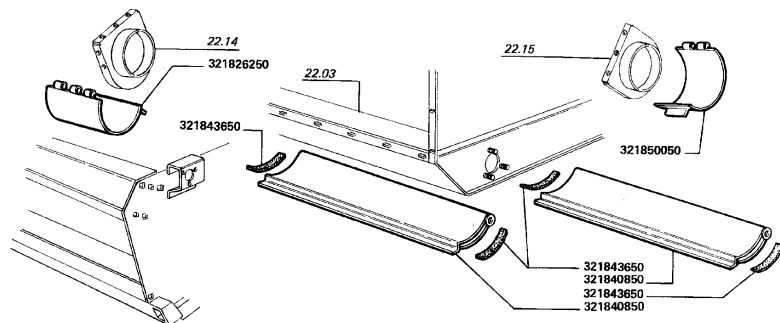
MTB "M" M 306 LS (563400095_563400999)



2121.06/
2

321826250
321840850
321843650
321850050

1 LID
2 HATCH
4 GASKET
1 LID



M 305 - M 306

Pièces pour terrains normaux
Teile fuer normalen boden

PARTICOLARI PER TERRENI NORMALI

Parts for normals soils
Piezas por terrenos normales

21.06

2/2 2106052022

STRAW WALKERS

21 -

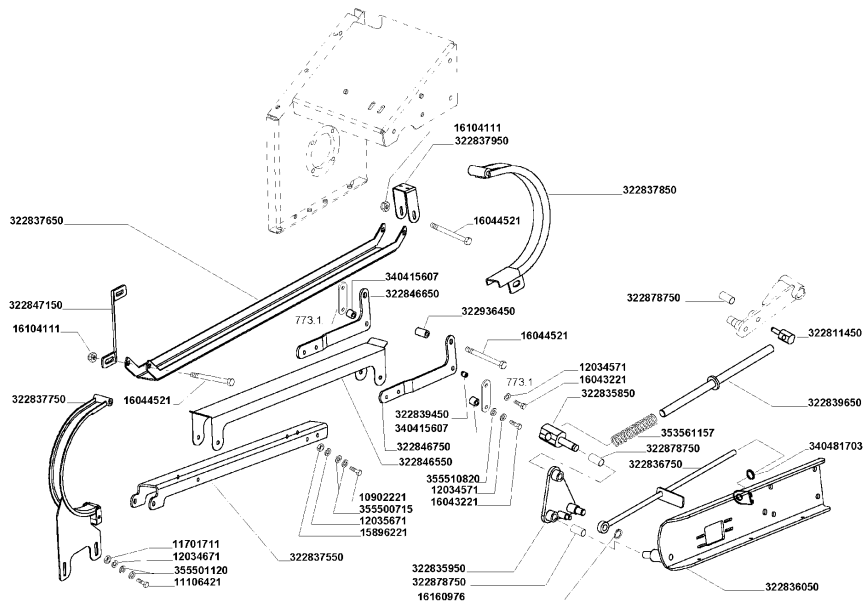
STRAW CHOPPER - SUPPORTS page 2

21 24.07



2121.24.
07

MTB "M" M 306 LS (563400095_563400999)



M 305 - M 306

Hache-paille - Supports
Strohhaeckler - Halterungen

TRINCIAPAGLIA - SUPPORTI

Straw chopper - Supports
Cortador de paja - Soportes

21.24.7

7/17 21240332000

- 10902221 1 SCREW
- 11106421 2 SCREW
- 11701711 2 NUT
- 12034571 2 LOCK WASHE
- 12034671 2 LOCK WASHE
- 12035671 1 LOCK WASHE
- 15896221 1 NUT
- 16043221 2 SCREW
- 16044521 3 SCREW
- 16104111 2 NUT
- 16160976 1 SPRING LOC
- 320936450 1 SPACER
- 322811450 1 BALL JOINT
- 322835850 1 BALL JOINT
- 322835950 1 LEVER
- 322836050 1 PROFILE
- 322836750 1 ROD
- 322837550 1 SKATE
- 322837650 1 SKATE
- 322837750 1 SKATE
- 322837850 1 SKATE
- 322837950 1 YOKE
- 322839450 1 BUSH
- 322839650 1 TIE ROD
- 322846550 1 PANEL
- 322846650 1 STIRRUP
- 322846750 1 STIRRUP
- 322878750 3 BEARING
- 340415607 2 BUSH
- 340481703 1 GROMMET
- 353561157 1 SPRING
- 355500715 2 WASHER
- 355501120 2 WASHER
- 355510820 2 WASHER

STRAW WALKERS

21 -

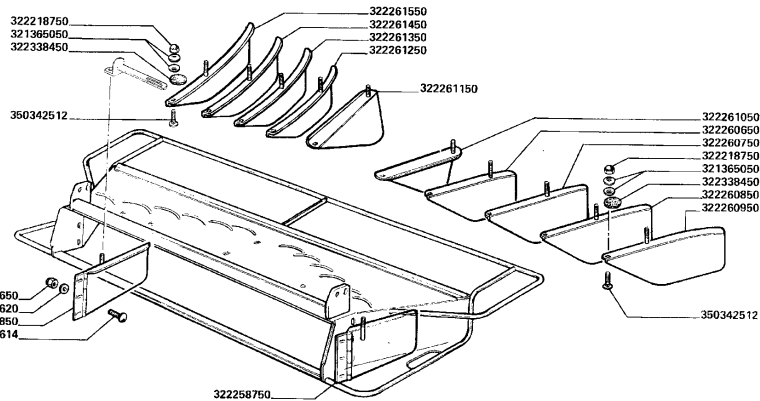
STRAW CHOPPER - DEFLECTORS

21 24.15



2121.24.
15

MTB "M" M 306 LS (563400095_563400999)



- 321365050
- 322218650
- 322218750
- 322258750
- 322258850
- 322260650
- 322260750
- 322260850
- 322260950
- 322261050
- 322261150
- 322261250
- 322261350
- 322261450
- 322261550
- 322338450
- 350342512
- 355510620
- 366000614
- 20 SPRING
- 6 NUT
- 14 NUT
- 1 SHUNTER
- 1 SHUNTER
- 1 DEFLECTOR
- 1 DEFLECTOR
- 1 DEFLECTOR
- 1 DEFLECTOR
- 1 DEFLECTOR
- 1 DEFLECTOR
- 1 DEFLECTOR
- 1 DEFLECTOR
- 1 DEFLECTOR
- 1 DEFLECTOR
- 1 DEFLECTOR
- 10 DISC
- 10 SCREW
- 6 WASHER
- 6 SCREW

● 003555106150 (6)

M 305 - M 306

TRINCIAPAGLIA - DEVIATORI DI FLUSSO
Hache-paille - Deflecteurs
Strahäcksler - Verteiler

21.24.15

Straw chopper - Deflectors
Cortador de paja - Deflectores

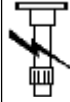
15/17 21240332000

TANK AND FAIRINGS

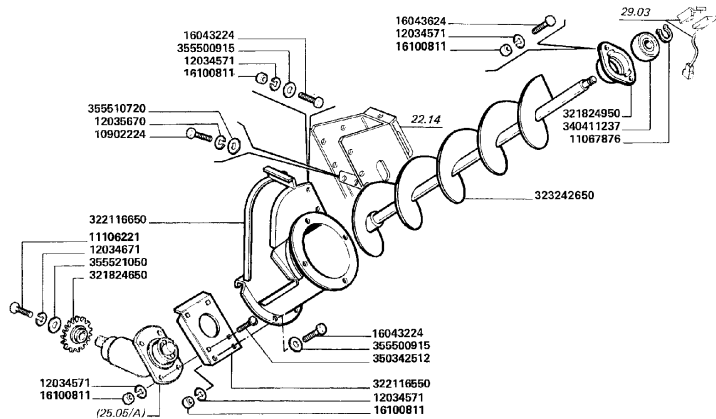
25 -
25.05/1

TANK FEED page1

MTB "M" M 306 LS (563400095_563400999)



2525.05/
1



- 10902224 1 SCREW
- 11067876 2 SPRING LOC
- 11106221 1 SCREW
- 12034571 4 LOCK WASHE
- 12034671 1 LOCK WASHE
- 12035670 ● 000120356710 (1) 1 LOCK WASHE
- 16043224 2 SCREW
- 16043624 1 SCREW
- 16100811 4 NUT
- 321824650 1 GEAR
- 321824950 1 SUPPORT
- 322116550 ● 003221165503 (1) 1 PLATE RETA
- 322116650 1 UNION
- 323242650 1 AUGER
- 340411237 1 BEARING
- 350342512 1 SCREW
- 355500915 2 WASHER
- 355510720 1 WASHER
- 355521050 1 WASHER

M 305 - M 306

Alimentation de la trémie
Einzugskotank

ALIMENTAZIONE SERBATOIO

Tank feed
Alimentacion de la tolva

25.05

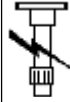
1/3 25050332000

TANK AND FAIRINGS

25 -
25.07/4

GRAIN TANK UNLOADING VERTICAL TUBE page4

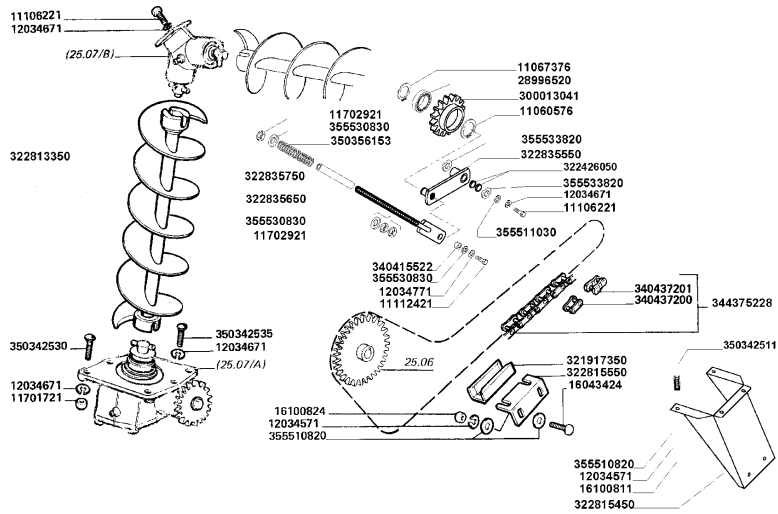
MTB "M" M 306 LS (563400095_563400999)



2525.07/
4

355511030
355530830
355533820

1 WASHER
3 WASHER
2 WASHER



TUBO VERTICALE SCARICO SERBATOIO

25.07

M 305 - M 306

Tube vertical de vidange de la trémie
Kortankaufvertikalrohr

Grain tank unloading vertical tube
Tubo vertical descarga de la tolva

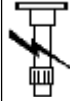
4/6 25070332000

TANK AND FAIRINGS

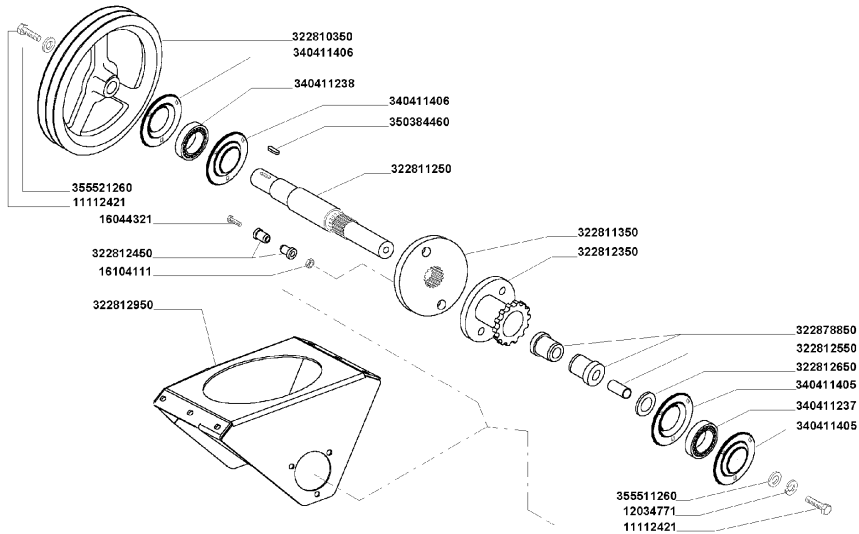
25 -
25.08/3

DRIVE AND UNLOADING TANK CLUTCH page 3

MTB "M" M 306 LS (563400095_563400999)



2525.08/
3



- | | |
|-----------|--------------|
| 11112421 | 2 SCREW |
| 12034771 | 1 LOCK WASHE |
| 16044321 | 1 SCREW |
| 16104111 | 1 NUT |
| 322810350 | 1 PULLEY |
| 322811250 | 1 MAST |
| 322811350 | 1 HUB |
| 322812350 | 1 GEAR |
| 322812450 | 1 BUSH |
| 322812550 | 1 SPACER |
| 322812650 | 1 WASHER |
| 322812950 | 1 SUPPORT |
| 322878850 | 1 BUSH |
| 340411237 | 1 BEARING |
| 340411238 | 1 BEARING |
| 340411405 | 2 FLANGE COU |
| 340411406 | 2 FLANGE COU |
| 350384460 | 1 KEY |
| 355511260 | 1 WASHER |
| 355521260 | 1 WASHER |

M 305 - M 306

TRASMISSIONE E INNESTO SCARICO SERBATOIO
 Transmission et embrayage vidange de trémie
 Antrieb und Kortankenleerungkupplung
 Drive and unloading tank clutch
 Trasmisión y embrague descarga de la tolva

25.08

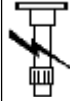
3/3 25080316000

THRESHER

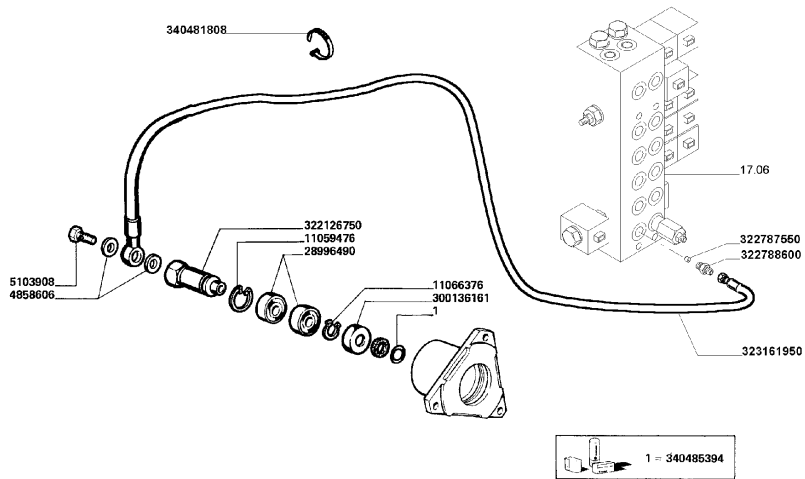
20 -
20.03/2

DRUM VARIATOR page 2

MTB "M" M 306 LS (563400095_563400999)



2020.03/
2



- 11059476
 - 11066376
 - 28996490
 - 300136161
 - 322126750
 - 322787550
 - 322788600
 - 322887550
 - 323161950
 - 340481808
 - 340485394
 - 4858606
 - 5103908
- 1 SPRING LOC
 - 1 SPRING LOC
 - 1 BEARING
 - 1 WASHER
 - 1 UNION
 - 1 VALVE
 - 1 UNION
 - 1 PIPE
 - 1 HOSE
 - 1 CLAMP
 - 1 KIT SEALS
 - 1 WASHER
 - 1 SCREW

● 003404818090 (1)

M 305 - M 306

Variateur du batteur
Dreschtrammelvariator

VARIATORE BATTITORE

Drum variator
Variador del cilindro

20.03

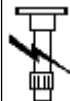
2/2 20030552002

THRESHER

20 -
20.24/1

MAIZE CONCAVE AND SUN FLOWER page 1

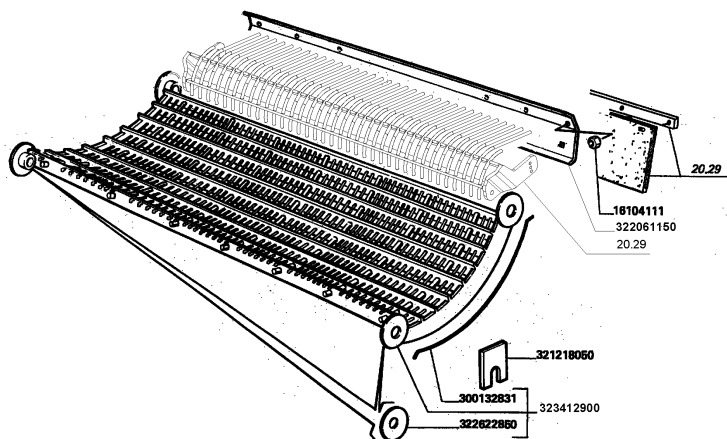
MTB "M" M 306 LS (563400095_563400999)



2020.24/
1

16104111
300132831
321218050
322061150
322622850
323412900

6 NUT
1 WIRE, RETA
1 PLATE
1 PROFILE
4 WASHER
1 CONCAVE



M 305 - M 306

*Contre-batteur de maïs et tournesol
Maiskorb und sonnenblumen*

CONTROBATTITORE DA MAIS E GIRASOLE

*maize concave and sun flower
Concavo para maïs y girasol*

20.24

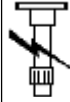
1/2 20240552022

THRESHER

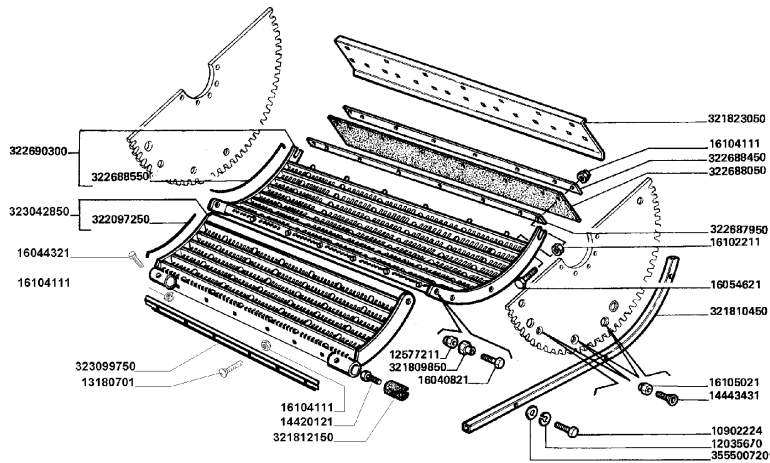
20 -
20.40/5

MULTI CROP SEPARATOR page5

MTB "M" M 306 LS (563400095_563400999)



2020.40/
5



M 305 - M 306

Multi crop separator
Multi crop separator

MULTI CROP SEPARATOR (SEPARATORE ROTANTE)

Multi crop separator
Multi crop separator

20.40

5/6 20400332020

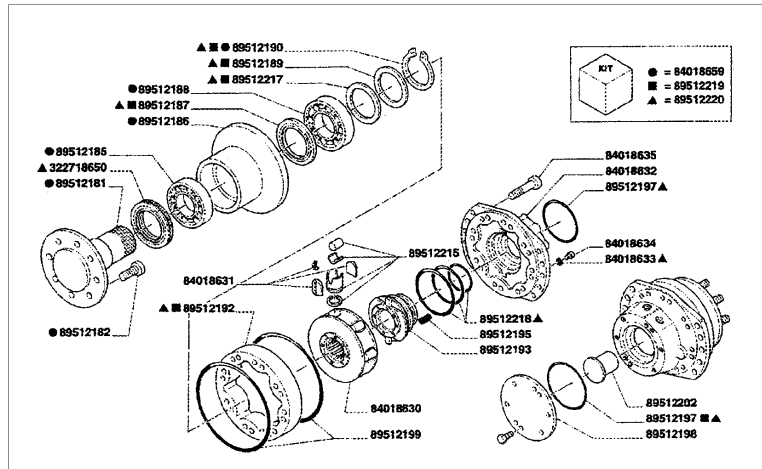
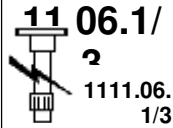
- | | | | |
|------------|--------------------|---|------------|
| 0032309975 | | 1 | PROFILE |
| 00 | | | |
| 10902224 | | 6 | SCREW |
| 12035670 | ● 000120356710 (1) | 1 | LOCK WASHE |
| 12577211 | | 1 | NUT |
| 14420121 | | 1 | SCREW |
| 14443431 | | 1 | SCREW |
| 16040821 | | 1 | SCREW |
| 16044321 | | 1 | SCREW |
| 16054621 | | 1 | SCREW |
| 16102211 | | 1 | NUT |
| 16104111 | | 2 | NUT |
| 16105021 | ● 000161050110 (1) | 1 | NUT |
| 321202450 | | 1 | PLATE |
| 321808400 | | 1 | GRILLE |
| 321809850 | | 1 | BUSH |
| 321810450 | | 1 | GUIDE |
| 321812150 | | 1 | PAD |
| 321823050 | | 1 | PLATE |
| 322097250 | | 1 | WIRE, RETA |
| 322215950 | | 1 | FRAME |
| 322687950 | | 1 | STRAP |
| 322688050 | | 1 | CANVAS |
| 322688450 | | 1 | STRAP |
| 322688550 | | 1 | WIRE, RETA |
| 322690300 | ● 003232759005 (1) | 1 | GRILLE |
| 355500720 | ● 003555007150 (1) | 1 | WASHER |

TRANSMISSION

11 -

POWERED REAR AXLE FOUR WD page 3

MTB "M" M 306 LS (563400095_563400999)



- 322718650 1 GASKET
- 84018630 1 IMPELLER
- 84018631 20 KIT SEALS
- 84018632 1 COVER
- 84018633 1 AIRTIGHT E
- 84018634 1 SCREW
- 84018635 1 SCREW
- 84018659 1 SUPPORT
- 89512181 1 SUPPORT
- 89512182 8 COLUMN
- 89512185 1 BEARING
- 89512186 1 SUPPORT
- 89512187 1 GASKET
- 89512188 1 BEARING
- 89512189 1 WASHER
- 89512190 1 RING
- 89512192 1 RING
- 89512193 1 DISTRIBUTO
- 89512195 8 SPRING
- 89512197 2 O-RING
- 89512198 1 COVER
- 89512199 2 O-RING
- 89512202 1 HYDRAULIC
- 89512215 1 KIT SEALS
- 89512217 1 RING
- 89512218 1 KIT SEALS
- 89512219 1 KIT SEALS
- 89512220 1 KIT SEALS
- 9512176 1 HYDRAULIC

M 306
03

Essieu arriere
Hinterachse

TRAZIONE A 4 RUOTE MOTRICI

Powered rear axle four wd
Puente posterior

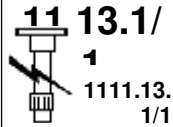
11.06.1

3/5 11060131022

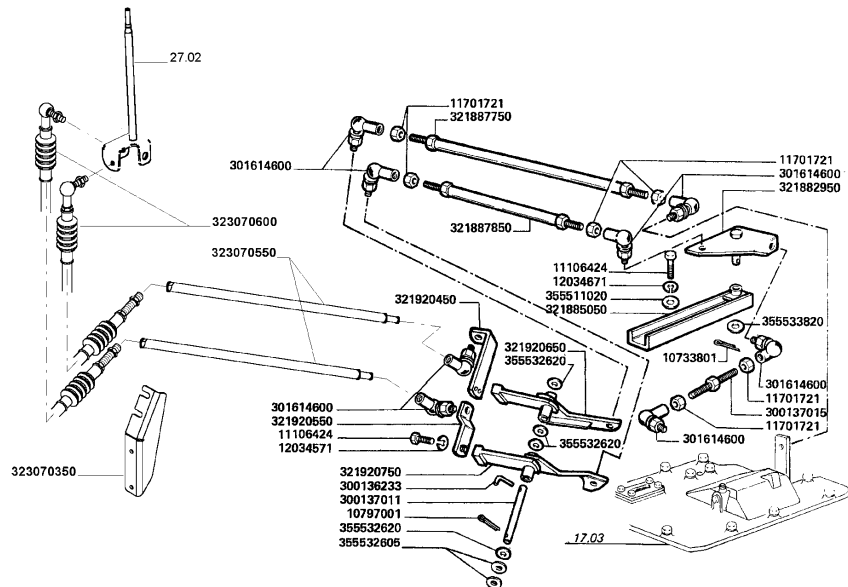
TRANSMISSION

11 -

SHIFT LEVERS



MTB "M" M 306 LS (563400095_563400999)



- 10733801
- 10797001
- 11106424
- 11701721
- 12034671
- 300136233
- 300137011
- 300137015
- 301614600
- 321882950
- 321885050
- 321887750
- 321887850
- 321920450
- 321920550
- 321920650
- 321920750
- 323027950
- 323070350
- 323070550
- 323070600
- 355511020
- 355532605
- 355532620
- 355533820

- 1 LINCH PIN
- 1 LINCH PIN
- 1 SCREW
- 6 NUT
- 1 LOCK WASHE
- 1 DOWEL
- 1 PIN
- 1 TIE ROD
- 8 BALL JOINT
- 1 COUNTER WE
- 1 SUPPORT
- 1 ROD
- 1 ROD
- 1 LEVER
- 1 LEVER
- 1 COUNTER WE
- 1 COUNTER WE
- 2 BUSH
- 1 STIRRUP
- 2 ROD
- 2 CABLE
- 1 WASHER
- 2 WASHER
- 4 WASHER
- 1 WASHER

M 306
03

*Lever de boîte à vitesses
Schalthebel*

LEVE CAMBIO

*Shift levers
Palanca cambio*

11.13.1

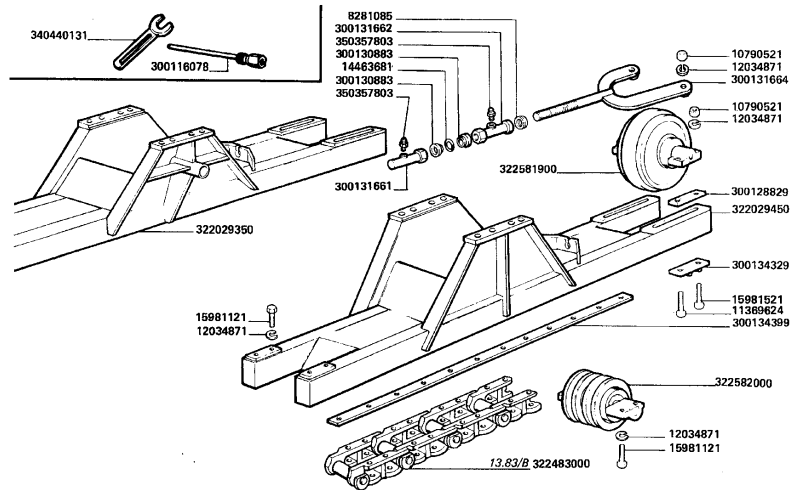
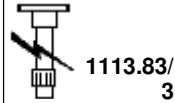
1/1 11130345000

TRANSMISSION

11 -
13.83/3

CHASSIS CRAWLER TRACKS (6 ROLLER)

MTB "M" M 306 LS (563400095_563400999)



- 10790521
- 11369624 ● 000113696310 (1)
- 12034871
- 14463681
- 15981121 ● 000159812240 (6)
- 15981521 ● 000159815310 (1)
- 300116078
- 300128829
- 300130883
- 300131661
- 300132662
- 300134329
- 300134399
- 322029350
- 322029450
- 322483000
- 322581900
- 322582000
- 340440131
- 350357803
- 8281085
- 2 NUT
- 1 SCREW
- 8 LOCK WASHE
- 1 O-RING
- 6 SCREW
- 1 SCREW
- 1 LUBRIFICAN
- 1 PLATE
- 2 WASHER
- 1 SHIELD
- 1 BRIDLE
- 1 STRAP
- 1 ROD
- 1 FRAME
- 1 FRAME
- 1 CHAIN
- 1 WHEEL
- 1 ROLLER
- 1 KEY
- 2 NIPPLE, LU
- 1 RING

M 305 - M 306

Chenilles
Raupenketten

CINGOLATURA - A 6 RULLI

Crawler tracks
Orugas

13.83

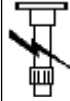
3/6 11210552130

TRANSMISSION

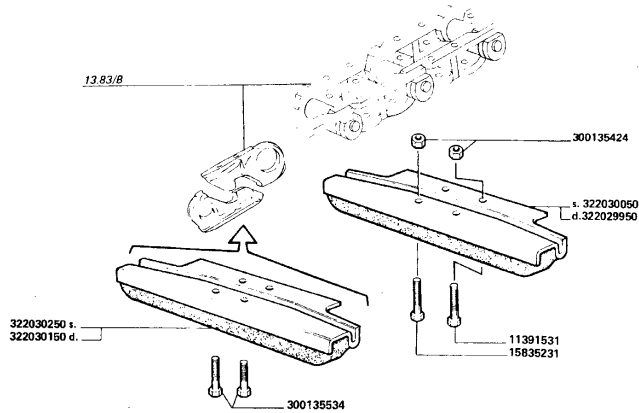
**11 -
13.88/5**

RUBBER SHOE (7 ROLLER)

MTB "M" M 306 LS (563400095_563400999)



**1113.88/
5**



- 11391531
- 15835231
- 300135424
- 300135534
- 322029950
- 322030050
- 322030150
- 322030250

- 68 SCREW
- 68 SCREW
- 136 NUT
- 2 SCREW
- 34 SKATE
- 34 SKATE
- 1 SKATE
- 1 SKATE

M 305 - M 306

*Chenilles
Raupenkettten*

CINGOLATURA - A 7 RULLI

*Crawler tracks
Orugas*

13.88

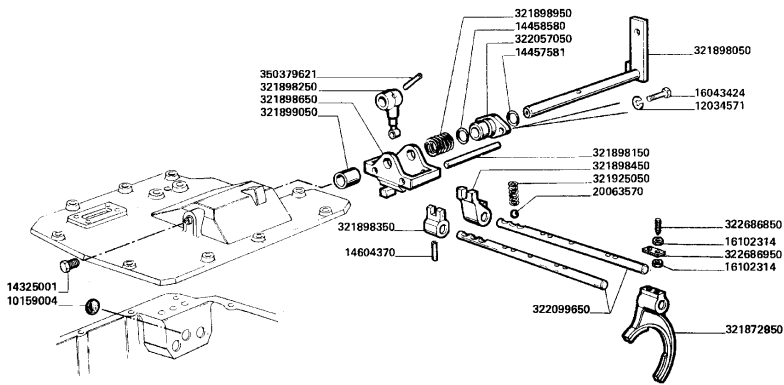
5/6 13840131130

TRANSMISSION

11 -
17.03/4

GEAR BOX page2

MTB "M" M 306 LS (563400095_563400999)



- | | | |
|-----------|---|------------|
| 10159004 | 3 | PLUG |
| 12034571 | 1 | LOCK WASHE |
| 14325001 | 1 | PLUG |
| 14457581 | 1 | O-RING |
| 14458580 | 1 | O-RING |
| 14604370 | 1 | PLUG |
| 16043424 | 1 | SCREW |
| 16102311 | 2 | NUT |
| 20063570 | 1 | BALL |
| 321872850 | 1 | YOKE |
| 321898050 | 1 | SHAFT |
| 321898150 | 1 | PIN |
| 321898250 | 1 | LEVER |
| 321898350 | 1 | HUB |
| 321898450 | 1 | HUB |
| 321898650 | 1 | PLATE |
| 321898950 | 1 | SPRING |
| 321899050 | 1 | SPACER |
| 321925050 | 1 | SPRING |
| 322057050 | 1 | SUPPORT |
| 322099650 | 2 | ROD |
| 322686850 | 1 | SCREW |
| 322686950 | 1 | PLATE |
| 350379621 | 1 | DOWEL |

M 305 - M 306

Bóite de vitesses
Getrebegehäuse

CAMBIO

Gear box
Caja del cambio

17.03

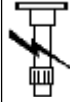
4/6 17030332000

TRANSMISSION

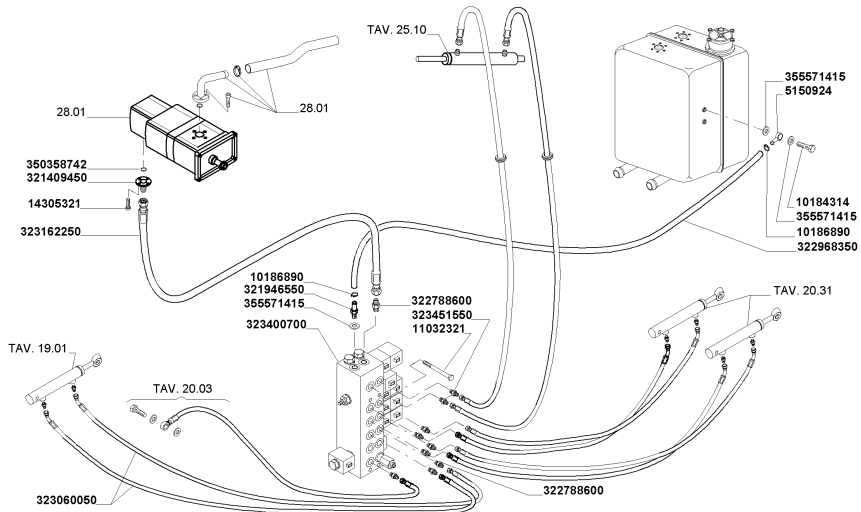
11 -
17.06/2

OIL TANK page 2

MTB "M" M 306 LS (563400095_563400999)



1117.06/
2



- 0032340070
- 00
- 10184314
- 10186890
- 11032321
- 14305321
- 321409450
- 321946550
- 322788600
- 322819000
- 322968350
- 323060050
- 323162250
- 350358742
- 355571415
- 5150924

- 1 DISTRIBUTO
- 1 UNION
- 2 CLAMP
- 1 SCREW
- 4 SCREW
- 1 FLANGE
- 1 BOLT, BANJ
- 1 UNION
- 5 UNION
- 1 RUBBER PIP
- 1 HOSE
- 1 HOSE
- 1 GASKET
- 2 WASHER
- 1 UNION

M 305 - M 306

Reservoir d'huile
Oeltank

SERBATOIO OLIO E INNESTI ELETTRIDRAULICI

Oil tank
Deposito de aceite

17.06

2/3 17060332000

VARIATIONS

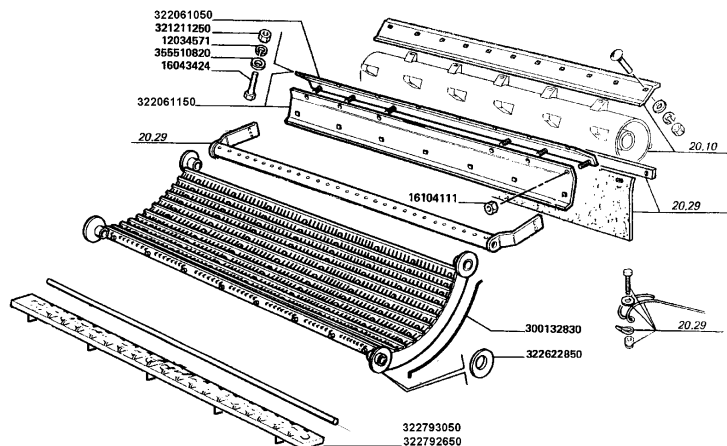
100
- 264/1

RASP-BAR CONCAVE

MTB "M" M 306 LS (563400095_563400999)



100264/1



- | | |
|-----------|--------------|
| 12034571 | 1 LOCK WASHE |
| 16043424 | 1 SCREW |
| 16104111 | 1 NUT |
| 300132830 | 1 WIRE, RETA |
| 321211250 | 1 NUT |
| 322061050 | 1 PLATE |
| 322061150 | 1 PROFILE |
| 322622850 | 1 WASHER |
| 322792650 | 1 BAR |
| 322793050 | 1 TIE-ROD |
| 355510820 | 1 WASHER |

M 305 - M 306

Contre-batteur à battes
Schlagleisten korz

SPRANGHE SBARBATRICI

Rasp-bar concave
Concavo de barras

264

1/1

VARIATIONS

**100
- 736/1**

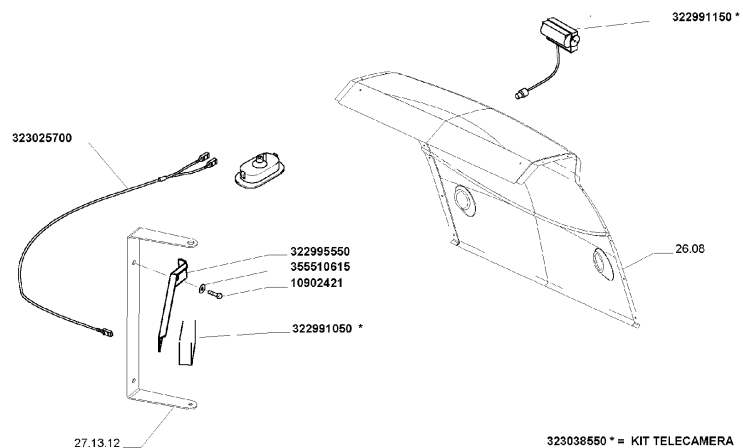
CAB - video camera

MTB "M" M 306 LS (563400095_563400999)



100736/1

- 0032299105 ● 003232752500 (1) 1 MONITOR,CO
00
- 0032299115 ● 003232751500 (1) 1 VIDEO CAME
00
- 10902421 1 SCREW
- 322995550 1 STIRRUP
- 323025700 1 WIRE/CABLE
- 355510615 1 WASHER



323038550 * = KIT TELECAMERA

M 305 - M 306

Cabina - Camera
Kabine - Kamera

CABINA-TELECAMERA

736

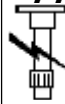
Cab - Telecamera
Cabina - Telecamera

1/1 29390232000

VARIATIONS

100

776.1/1

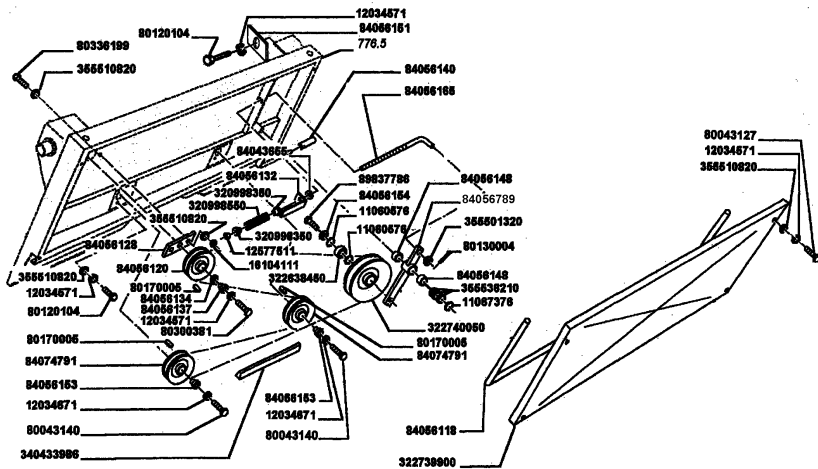


100776.1 /1

CHAFF SPREADER - DRIVE

MTB "M" M 306 LS (563400095_563400999)

- | | |
|----------|-----------|
| 84056153 | 2 BUSH |
| 84056154 | 1 BUSH |
| 84056165 | 1 TIE ROD |
| 84056789 | 1 LEVER |
| 84074791 | 2 PULLEY |
| 89837786 | 1 SCREW |



SPARGIPULA - TRASMISSIONE

Epandeur de balle - Prise de mouvement
Spreuverteiler - Antrieb

Chaff spreader - Drive
Espaciador de tamo - Transmission

776.1

1/1 7117765510

VARIATIONS

100
- 877/1

BALLST WEIGHT ON REAR AXLE 4WD

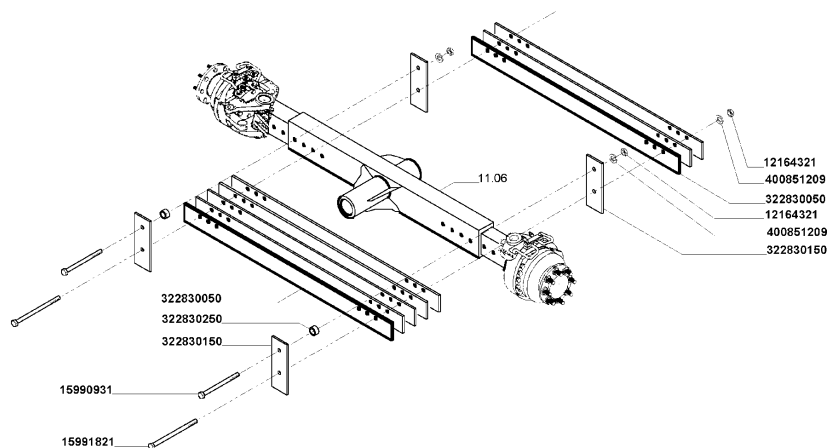
MTB "M" M 306 LS (563400095_563400999)



100877/1

12164321
15990931
15991821
322830050
322830150
322830250
400851209

3 NUT
4 SCREW
4 SCREW
8 WIGHT
2 BASE PLATE
2 SPACER
3 WASHER



M 305 - M 306

ZAVORRA SU ASSALE POSTERIORE 4WD
Masses sur l'essieu arrière
Blastgewichte am hinterachse
Ballst weight on rear axle
Lastres sobre eje posterior

877

1/1 7118771410

CLICK HERE TO **DOWNLOAD** THE COMPLETE MANUAL

- Thank you very much for reading the preview of the manual.
- You can download the complete manual from: www.heydownloads.com by clicking the link below



- Please note: If there is no response to CLICKING the link, please download this PDF first and then click on it.

CLICK HERE TO **DOWNLOAD** THE COMPLETE MANUAL