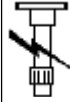


CLEANING

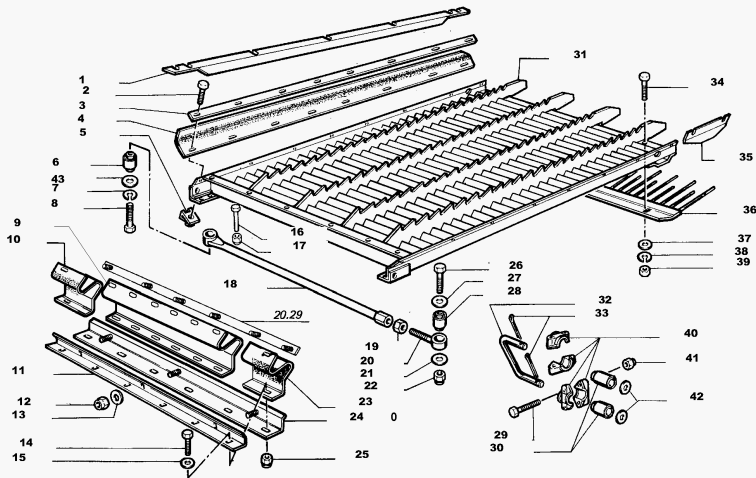
22 -
22.01/1

GRAIN PAN

MTB "M" M 305 (563100051_563100066)



2222.01/
1



- | | | | |
|----|-----------|---|------------|
| 1 | 321844050 | 1 | PLATE |
| 2 | 10977821 | 1 | SCREW |
| 3 | 321828350 | 1 | STRAP |
| 4 | 321828250 | 1 | CONVEYOR |
| 5 | 322121950 | 1 | NUT |
| 6 | 340449005 | 1 | SILENTBLOC |
| 7 | 12035571 | 1 | LOCK WASHE |
| 8 | 11116221 | 1 | SCREW |
| 9 | 323119850 | 1 | GASKET |
| 10 | 323120150 | 1 | GASKET |
| 11 | 322125250 | 1 | PROFILE |
| 12 | 12574111 | 1 | NUT |
| 13 | 355500615 | 1 | WASHER |
| 14 | 16043624 | 1 | SCREW |
| 15 | 355510820 | 1 | WASHER |
| 16 | 10902621 | 1 | SCREW |
| 17 | 12574211 | 1 | NUT |
| 18 | 321839850 | 1 | ARM |
| 19 | 11702921 | 1 | NUT |
| 20 | 321839950 | 1 | HEAD |
| 21 | 340415093 | 1 | SPACER |
| 22 | 12577311 | 1 | NUT |
| 23 | 323120150 | 1 | GASKET |
| 24 | 322125150 | 1 | PLATE |
| 25 | 16104111 | 1 | NUT |
| 26 | 11116421 | 1 | SCREW |
| 27 | 340415093 | 1 | SPACER |
| 28 | 340449005 | 1 | SILENTBLOC |
| 29 | 11107621 | 1 | SCREW |
| 30 | 322203650 | 1 | BUSH |
| 31 | 322135850 | 1 | GRAIN PAN |
| 32 | 321828450 | 1 | CONROD |
| 33 | 10733801 | 1 | LINCH PIN |

M 305 - M 306

Table de reception
Foerderboden

PIANO ALIMENTATORE

22.01

Grain pan
Zaranda

1/1 22010131002

003233659505 (1)

CLICK HERE TO **DOWNLOAD** THE COMPLETE MANUAL

- Thank you very much for reading the preview of the manual.
- You can download the complete manual from: www.heydownloads.com by clicking the link below



- Please note: If there is no response to CLICKING the link, please download this PDF first and then click on it.

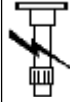
CLICK HERE TO **DOWNLOAD** THE COMPLETE MANUAL

CLEANING

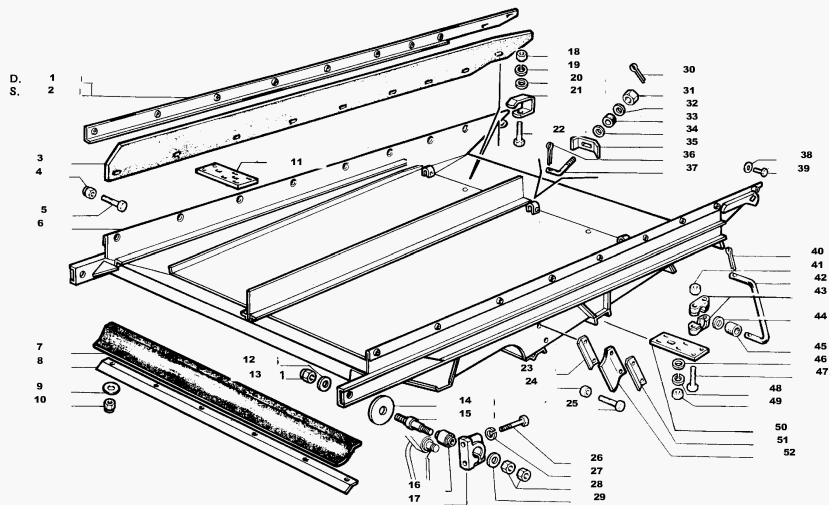
22 -
22.04/1

LOWER SHAKER SHOE page1

MTB "M" M 305 (563100051_563100066)



2222.04/
1



- | | | | | |
|----|-----------|--------------------|---|------------|
| 34 | 355510820 | | 1 | WASHER |
| 35 | 321830950 | | 1 | STIRRUP |
| 36 | 10734301 | | 1 | LINCH PIN |
| 37 | 321830850 | | 1 | TIE ROD |
| 38 | 355500610 | ● 003555006150 (1) | 1 | WASHER |
| 39 | 10977524 | | 1 | SCREW |
| 40 | 10797501 | ● 000107350010 (1) | 1 | LINCH PIN |
| 41 | 12577211 | | 1 | NUT |
| 42 | 321830550 | | 1 | CONROD |
| 43 | 322194750 | | 1 | SUPPORT |
| 44 | 355501930 | | 1 | WASHER |
| 45 | 322203650 | | 1 | BUSH |
| 46 | 355510820 | | 1 | WASHER |
| 47 | 11107621 | | 1 | SCREW |
| 48 | 12034571 | | 1 | LOCK WASHE |
| 49 | 16100811 | | 1 | NUT |
| 50 | 322193650 | | 1 | SUPPORT |
| 51 | 321831650 | | 1 | STRAP |
| 52 | 321831550 | | 1 | GASKET |

M 305 - M 306

Hotte de nettoyage inférieure
Unterschwingkasten

CASSONE OSCILLANTE INFERIORE

Lower shaker shoe
Zaranda inferior

22.04

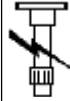
1/2 22040552002

CLEANING

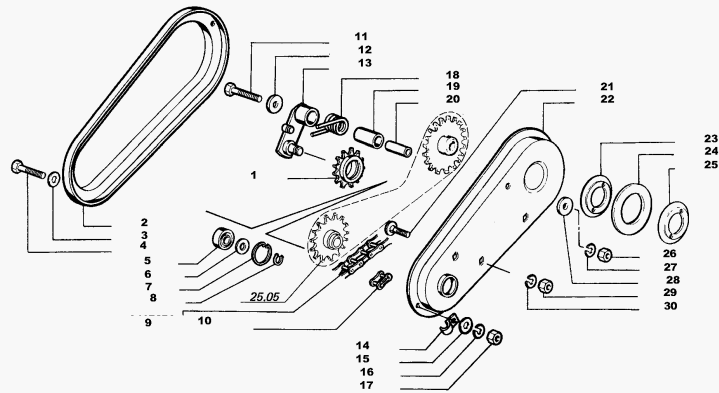
22 -
22.06/4

GRAIN ELEVATOR (NORMAL) page 4

MTB "M" M 305 (563100051_563100066)



2222.06/
4



M 305 - M 306

ELEVATORE GRANO (NORMALE) (RACCORDO SUPERIORE)
Elévateur grains (normale)
Kornelévator (normal)
Grain elevator (normal)
Elevador de grano (normal)

22.06

4/4 22060131002

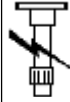
- | | | | | |
|----|-----------|--------------------|---|------------|
| 1 | 300121612 | ● 003232915500 (1) | 1 | CHAIN ADJU |
| 2 | 321845050 | | 1 | SHIELD |
| 3 | 355500915 | | 1 | WASHER |
| 4 | 16043224 | | 1 | SCREW |
| 5 | 28996490 | | 1 | BEARING |
| 6 | 355536210 | | 1 | WASHER |
| 7 | 11059476 | | 1 | SPRING LOC |
| 8 | 11066876 | | 1 | SPRING LOC |
| 9 | 340437274 | | 1 | CHAIN ASA |
| 10 | 340437200 | ● 003278401250 (1) | 1 | CONNECTING |
| 11 | 16044424 | | 1 | SCREW |
| 12 | 355520830 | | 1 | WASHER |
| 13 | 321844650 | | 1 | ARM |
| 14 | 300015924 | | 1 | CLAW |
| 15 | 355500915 | | 1 | WASHER |
| 16 | 12034571 | | 1 | LOCK WASHE |
| 17 | 16100811 | | 1 | NUT |
| 18 | 350356925 | | 1 | SPRING |
| 19 | 321845850 | | 1 | SPACER |
| 20 | 321845750 | | 1 | SPACER |
| 21 | 350342510 | | 1 | SCREW |
| 22 | 321844950 | | 1 | SHIELD |
| 23 | 321845150 | | 1 | DISC |
| 24 | 321845350 | | 1 | GASKET |
| 25 | 321845250 | | 1 | DISC |
| 26 | 16100811 | | 1 | NUT |
| 27 | 12034571 | | 1 | LOCK WASHE |
| 28 | 355520830 | | 1 | WASHER |
| 29 | 16100811 | | 1 | NUT |
| 30 | 12034571 | | 1 | LOCK WASHE |

CLEANING

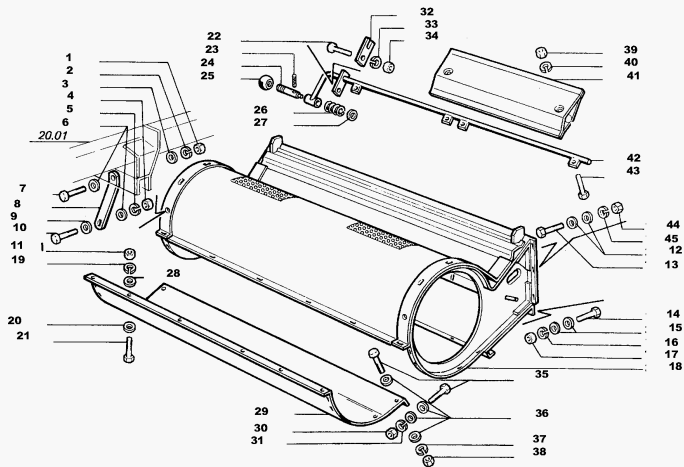
22 -
22.10/2

FAN page2

MTB "M" M 305 (563100051_563100066)



2222.10/
2



- | | | | |
|----|-----------|---|------------|
| 35 | 16043424 | 1 | SCREW |
| 36 | 355500915 | 1 | WASHER |
| 37 | 12034570 | 1 | 0 - MANCA |
| 38 | 16100811 | 1 | NUT |
| 39 | 16100811 | 1 | NUT |
| 40 | 12034571 | 1 | LOCK WASHE |
| 41 | 321839450 | 1 | DEFLECTOR |
| 42 | 321839250 | 1 | ROD |
| 43 | 16043224 | 1 | SCREW |
| 44 | 11701721 | 1 | NUT |
| 45 | 12034671 | 1 | LOCK WASHE |

M 305 - M 306

Ventilateur
Gebläse

VENTILATORE

Fan
Ventilador

22.10

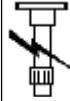
2/3 22100552002

CLEANING

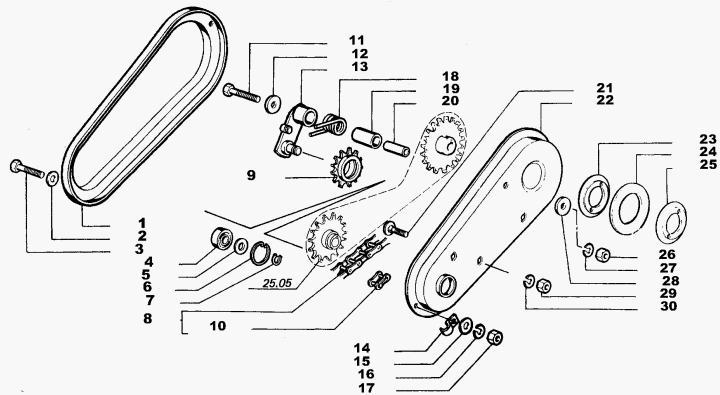
22 -
22.14/4

GRAIN ELEVATOR (ANTHWEAR)

MTB "M" M 305 (563100051_563100066)



2222.14/
4



M 305 - M 306

ELEVATORE GRANO (ANTI USURA) (TRASMISSIONE SUPERIORE)
Elevateur grains (antiusure) Grain elevator (anthwear)
Kornellevator (verschleissfrei) Elevador de grano (antes usura)

22.14

4/4 22140332000

- | | | | | |
|----|-----------|--------------------|---|------------|
| 1 | 321845050 | | 1 | SHIELD |
| 2 | 355500915 | | 1 | WASHER |
| 3 | 16043224 | | 1 | SCREW |
| 4 | 28996490 | | 1 | BEARING |
| 5 | 355536210 | | 1 | WASHER |
| 6 | 11059476 | | 1 | SPRING LOC |
| 7 | 11066876 | | 1 | SPRING LOC |
| 8 | 340437274 | | 1 | CHAIN ASA |
| 9 | 300121612 | ● 003232915500 (1) | 1 | CHAIN ADJU |
| 10 | 340437200 | ● 003278401250 (1) | 1 | CONNECTING |
| 11 | 16044424 | | 1 | SCREW |
| 12 | 355520830 | | 1 | WASHER |
| 13 | 321844650 | | 1 | ARM |
| 14 | 300015924 | | 1 | CLAW |
| 15 | 355500915 | | 1 | WASHER |
| 16 | 12034571 | | 1 | LOCK WASHE |
| 17 | 16100811 | | 1 | NUT |
| 18 | 350356925 | | 1 | SPRING |
| 19 | 321845850 | | 1 | SPACER |
| 20 | 321845750 | | 1 | SPACER |
| 21 | 350342510 | | 1 | SCREW |
| 22 | 321844950 | | 1 | SHIELD |
| 23 | 321845150 | | 1 | DISC |
| 24 | 321845350 | | 1 | GASKET |
| 25 | 321845250 | | 1 | DISC |
| 26 | 16100811 | | 1 | NUT |
| 27 | 12034571 | | 1 | LOCK WASHE |
| 28 | 355520830 | | 1 | WASHER |
| 29 | 16100811 | | 1 | NUT |
| 30 | 12034571 | | 1 | LOCK WASHE |

CLEANING

22 -
23.04/1

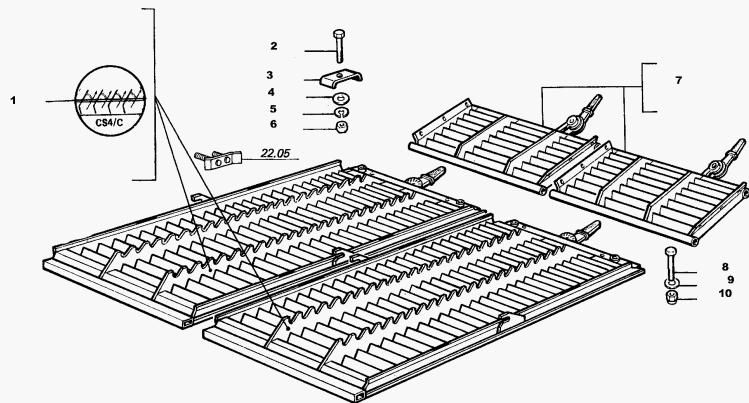
UPPER SIEVE, ADJUSTABLE

MTB "M" M 305 (563100051_563100066)



2223.04/
1

LA DOTAZIONE DEI VAGLI VARIA SECONDO L'ALLESTIMENTO DELLA MACCHINA
La dotation des cribles varie selon le standard de la machine
Die siebeausstattung wechselt gemäss der mæhdrescherausruestung
The set of sieves varies according to the machines standard
La dotacion de las cribas varian segun el alistamiento de la maquina



- | | | | | |
|----|-----------|--------------------|---|------------|
| 1 | 322279900 | | 1 | SIEVE |
| 2 | 16040821 | | 1 | SCREW |
| 3 | 321839150 | | 1 | PARABOLA S |
| 4 | 355501120 | | 1 | WASHER |
| 5 | 12034671 | | 1 | LOCK WASHE |
| 6 | 11701721 | | 1 | NUT |
| 7 | 322137100 | | 1 | SIEVE EXTE |
| 8 | 11107311 | ● 000111073210 (1) | 1 | SCREW |
| 9 | 355511030 | | 1 | WASHER |
| 10 | 12577211 | | 1 | NUT |

M 305 - M 306

Crible supérieur réglable
Obersieb, verstellbar

VAGLIO SUPERIORE REGOLABILE

Upper sieve, adjustable
Criba superior regulable

23.04

1/1 23040552002

DRIVES PLATFORM

27 -

CAB - RIGHT SIDE

27 02/13

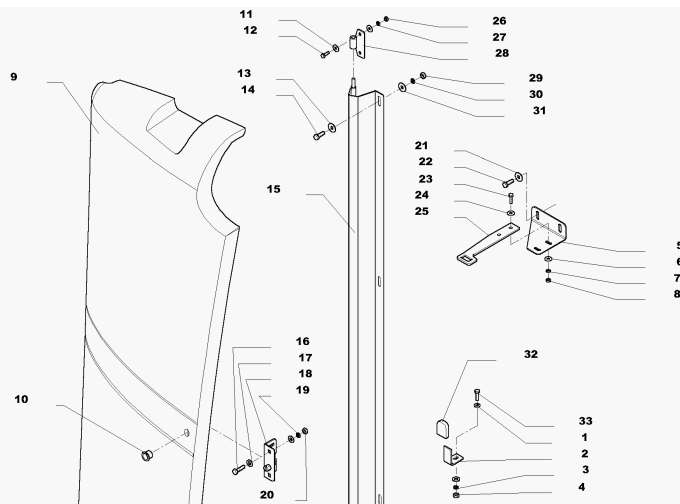


2727.02/
13

MTB "M" M 305 (563100051_563100066)

33 16043621

1 SCREW



M 305 - M 306

Cabine - Côté droite
Kabine - Rechte Seite

CABINA-LATO DESTRO

Cab - Right side
Cabina - Lado direito

27.02

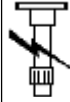
13/13 27020332000

DRIVES PLATFORM

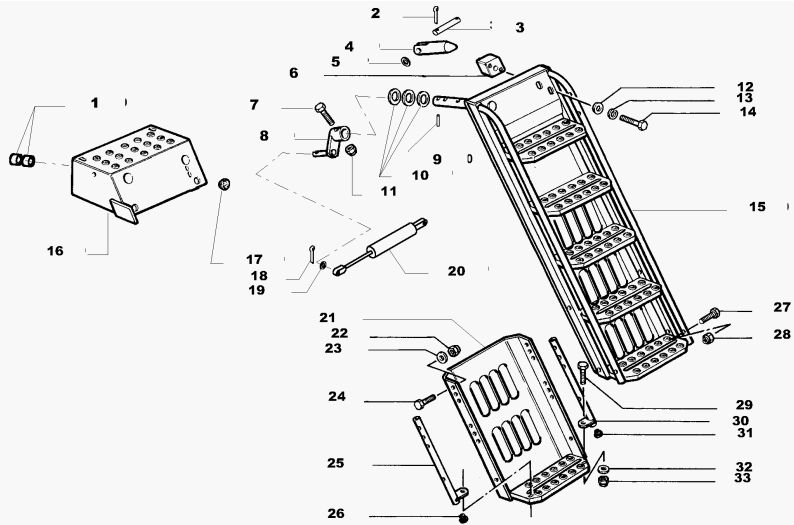
27 -
27.03/2

LADDER FOOTBOARD page 2

MTB "M" M 305 (563100051_563100066)



2727.03/
2



- | | | | |
|----|-----------|---|------------|
| 1 | 10734601 | 1 | LINCH PIN |
| 2 | 355501115 | 1 | WASHER |
| 3 | 322002050 | 1 | BEARING |
| 4 | 11107421 | 1 | SCREW |
| 5 | 322317850 | 1 | LEVER |
| 6 | 12577211 | 1 | NUT |
| 7 | 323171250 | 1 | LEVER LEAD |
| 8 | 322952750 | 1 | SPRING |
| 9 | 15896211 | 1 | NUT |
| 10 | 322002050 | 1 | BEARING |
| 11 | 10902621 | 1 | SCREW |
| 12 | 350356530 | 1 | SPRING |
| 13 | 323187650 | 1 | PIN |
| 14 | 10734601 | 1 | LINCH PIN |
| 15 | 350379344 | 1 | DOWEL |
| 16 | 322317750 | 1 | BLOCK |
| 17 | 355510820 | 1 | WASHER |
| 18 | 12034571 | 1 | LOCK WASHE |
| 19 | 16043624 | 1 | SCREW |

M 305 - M 306

Support escalier
Leitertribretter

PEDANA SCALA

Ladder footboard
Estribo escalera

27.03

2/2 27030332000

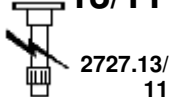
DRIVES PLATFORM

27 -

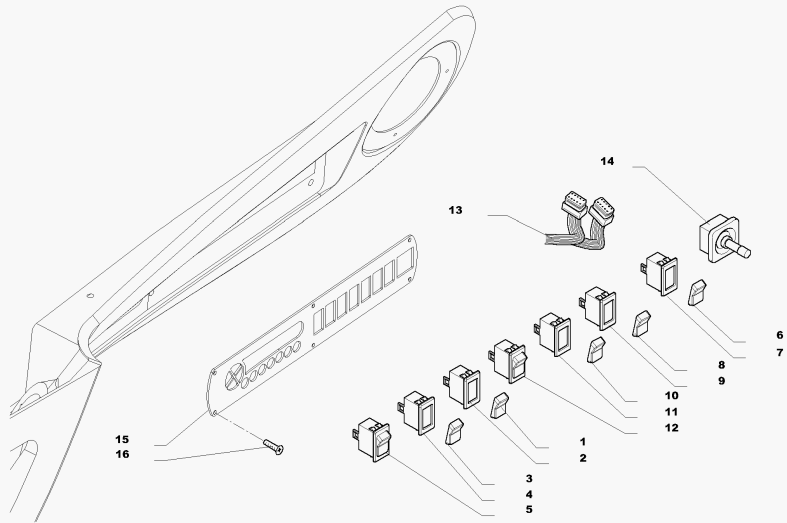
CAB - PUSH BUTTONS

27 13/11

MTB "M" M 305 (563100051_563100066)



**2727.13/
11**



- | | | | |
|----|-----------|---|------------|
| 1 | 322947350 | 1 | BUTTON |
| 2 | 322946550 | 1 | BUTTON |
| 3 | 322947350 | 1 | BUTTON |
| 4 | 322946550 | 1 | BUTTON |
| 5 | 322946400 | 1 | BUTTON |
| 6 | 322947850 | 1 | BUTTON |
| 7 | 322946650 | 1 | BUTTON |
| 8 | 322948050 | 1 | BUTTON |
| 9 | 322946550 | 1 | BUTTON |
| 10 | 322946850 | 1 | BUTTON |
| 11 | 322946550 | 1 | BUTTON |
| 12 | 322946300 | 1 | BUTTON |
| 13 | 323104000 | 1 | WIRE/CABLE |
| 14 | 9501006 | 1 | SWITCH |
| 15 | 323103750 | 1 | COACHWORK |
| 16 | 13311077 | 1 | SCREW |

M 305 - M 306

*Cabine - Boutons poussoir
Kabine - Druckknopf*

CABINA-PULSANTI

*Cab - Push buttons
Cabina - Pulsador*

27.13

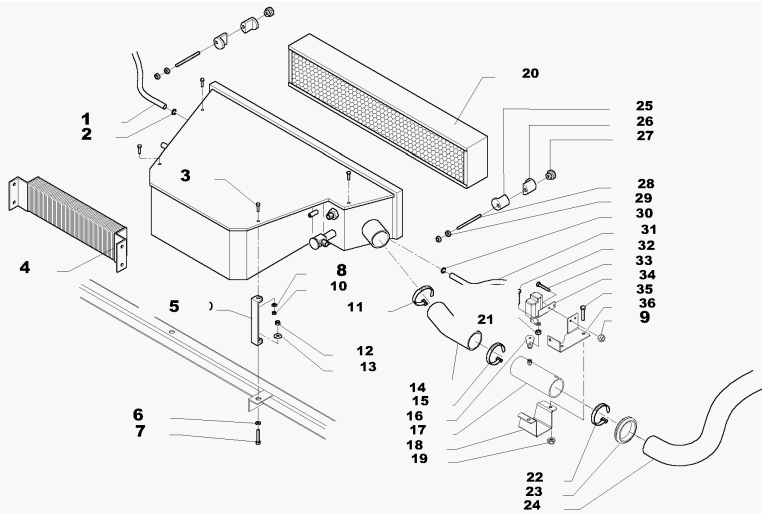
11/12 27130332000

DRIVES PLATFORM

27 -
27.13/9

CAB - AIR CONDITIONER page 2

MTB "M" M 305 (563100051_563100066)



- | | | | | |
|----|-----------|--------------------|---|------------|
| 1 | 322974750 | | 1 | PIPE |
| 2 | 10186690 | | 1 | COLLAR |
| 3 | 10977821 | | 1 | SCREW |
| 4 | 323026250 | ● 003227949350 (1) | 1 | HEAT EXANG |
| 5 | 323048350 | | 1 | STIRRUP |
| 6 | 355500620 | ● 003555006150 (1) | 1 | WASHER |
| 7 | 15212521 | | 1 | SCREW |
| 8 | 355500615 | | 1 | WASHER |
| 9 | 12574011 | | 1 | NUT |
| 10 | 12574111 | | 1 | NUT |
| 11 | 13000790 | | 1 | COLLAR |
| 12 | 12574211 | | 1 | NUT |
| 13 | 355510615 | | 1 | WASHER |
| 14 | 322993750 | | 1 | PIPE AIR |
| 15 | 13000790 | | 1 | COLLAR |
| 16 | 323108850 | | 1 | LEVER LEAD |
| 17 | 323032250 | | 1 | PIPE |
| 18 | 323108650 | | 1 | BRIDLE |
| 19 | 12574211 | | 1 | NUT |
| 20 | 322935250 | | 1 | FILTER |
| 21 | 15896411 | | 1 | NUT |
| 22 | 13000790 | | 1 | COLLAR |
| 23 | 84005019 | | 1 | RING |
| 24 | 323022150 | | 1 | PIPE AIR |
| 25 | 322820251 | | 1 | RETAINER |
| 26 | 322820251 | | 1 | RETAINER |
| 27 | 322820151 | | 1 | KNOB |
| 28 | 322935450 | | 1 | STUD |
| 29 | 15896211 | | 1 | NUT |
| 30 | 10186690 | | 1 | COLLAR |
| 31 | 322974750 | | 1 | PIPE |
| 32 | 10977721 | | 1 | SCREW |

M 305 - M 306

Cabine - Climatiseur
Kabine - Klimagerät

CABINA-CLIMATIZZATORE/2

Cab - Air conditioner
Cabine - Climatizador

27.13

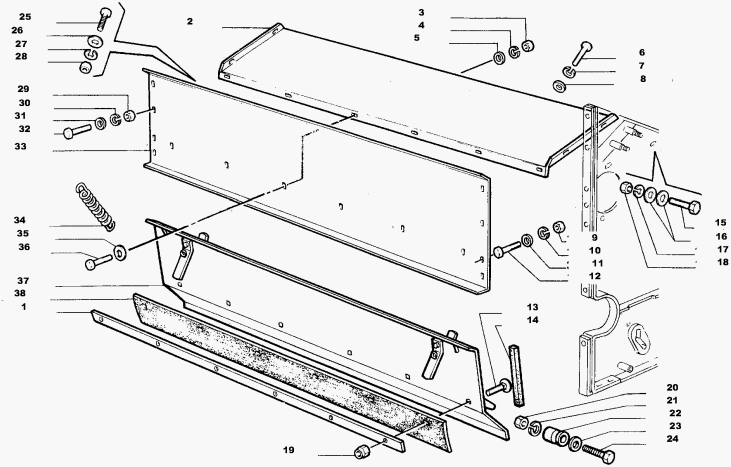
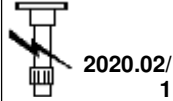
9/12 27130332000

DRUM

20 -
20.02/1

DRUM HOUSING page1

MTB "M" M 305 (563100051_563100066)



M 305 - M 306

Caisson du batteur
Dreschtrommelkasten

CASSA BATTITORE

Drum housing
Caja del cilindro

20.02

1/3 20020316000

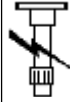
- | | | | | |
|----|-----------|--------------------|------------|-------|
| 1 | 320747550 | 1 | STRAP | |
| 2 | 321858050 | 1 | ROOF | |
| 3 | 11701721 | 1 | NUT | |
| 4 | 12034671 | 1 | LOCK WASHE | |
| 5 | 355511020 | 1 | WASHER | |
| 6 | 11106021 | 1 | SCREW | |
| 7 | 12034671 | 1 | LOCK WASHE | |
| 8 | 355511020 | 1 | WASHER | |
| 9 | 16101521 | 1 | NUT | |
| 10 | 12034771 | 1 | LOCK WASHE | |
| 11 | 355530830 | 1 | WASHER | |
| 12 | 15540624 | ● 000155406240 (1) | 1 | SCREW |
| 13 | 350342512 | 1 | SCREW | |
| 14 | 320649950 | 1 | GASKET | |
| 15 | 11106021 | 1 | SCREW | |
| 16 | 355511020 | 1 | WASHER | |
| 17 | 12034671 | 1 | LOCK WASHE | |
| 18 | 11701721 | 1 | NUT | |
| 19 | 16104111 | 1 | NUT | |
| 20 | 11701721 | 1 | NUT | |
| 21 | 12034671 | 1 | LOCK WASHE | |
| 22 | 322088050 | 1 | PIN | |
| 23 | 355511020 | 1 | WASHER | |
| 24 | 11107421 | 1 | SCREW | |
| 25 | 11106021 | 1 | SCREW | |
| 26 | 355511020 | 1 | WASHER | |
| 27 | 12034671 | 1 | LOCK WASHE | |
| 28 | 11701721 | 1 | NUT | |
| 29 | 16101521 | 1 | NUT | |
| 30 | 12034771 | 1 | LOCK WASHE | |
| 31 | 355530830 | 1 | WASHER | |
| 32 | 15540624 | ● 000155406240 (1) | 1 | SCREW |

DRUM

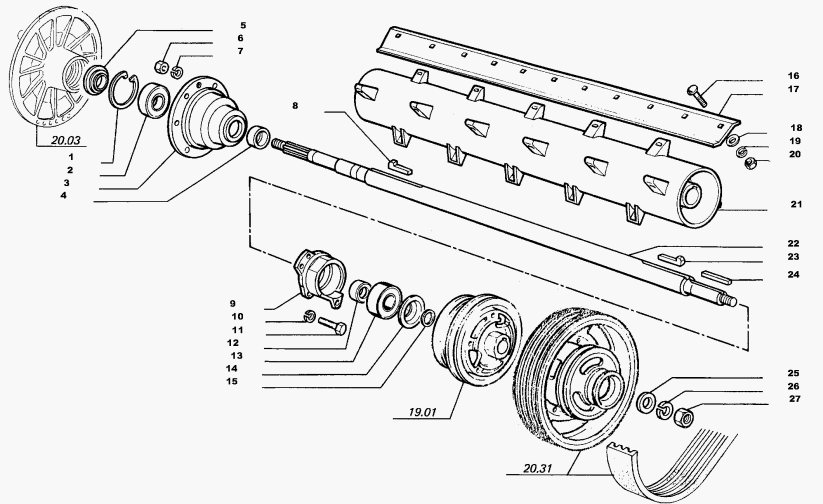
**20 -
20.10/1**

BEATER BEHIND DRUM

MTB "M" M 305 (563100051_563100066)



**2020.10/
1**



- | | | | |
|----|-----------|---|------------|
| 1 | 11075976 | 1 | SPRING LOC |
| 2 | 28040170 | 1 | BEARING |
| 3 | 322215750 | 1 | SUPPORT |
| 4 | 320971550 | 1 | WASHER |
| 5 | 300132547 | 1 | WASHER |
| 6 | 11701721 | 1 | NUT |
| 7 | 12034671 | 1 | LOCK WASHE |
| 8 | 350380760 | 1 | KEY |
| 9 | 320971150 | 1 | SUPPORT |
| 10 | 12034771 | 1 | LOCK WASHE |
| 11 | 15540521 | 1 | SCREW |
| 12 | 320971550 | 1 | WASHER |
| 13 | 28040170 | 1 | BEARING |
| 14 | 300132547 | 1 | WASHER |
| 15 | 355547210 | 1 | WASHER |
| 16 | 350342520 | 1 | SCREW |
| 17 | 321814350 | 1 | SHOVEL |
| 18 | 355501120 | 1 | WASHER |
| 19 | 12034671 | 1 | LOCK WASHE |
| 20 | 11701721 | 1 | NUT |
| 21 | 320970750 | 1 | BEATER |
| 22 | 322214850 | 1 | SHAFT |
| 23 | 350380760 | 1 | KEY |
| 24 | 353848110 | 1 | KEY |
| 25 | 300018047 | 1 | WASHER |
| 26 | 350354030 | 1 | LOCK WASHE |
| 27 | 15500511 | 1 | NUT |

M 305 - M 306

*Tire-paille
Strohletrommel*

POSTBATTITORE

*Beater behind drum
Deflector de salida*

20.10

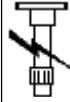
1/1 20100552002

DRUM

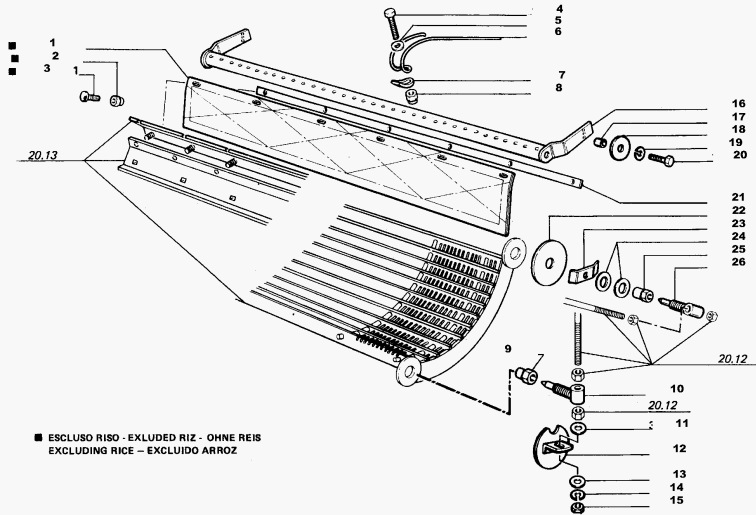
20 -
20.29/2

CONVEYING AND CONCAVE RAKE page2

MTB "M" M 305 (563100051_563100066)



2020.29/
2



- | | | | |
|----|-----------|---|------------|
| 1 | 322061250 | 1 | CANVAS |
| 2 | 16104111 | 1 | NUT |
| 3 | 350342511 | 1 | SCREW |
| 4 | 16044424 | 1 | SCREW |
| 5 | 355500920 | 1 | WASHER |
| 6 | 322176450 | 1 | TINE |
| 7 | 300132057 | 1 | STRAP |
| 8 | 16104111 | 1 | NUT |
| 9 | 300137818 | 1 | NUT |
| 10 | 300132061 | 1 | PIN |
| 11 | 355532620 | 1 | WASHER |
| 12 | 320545550 | 1 | PANEL |
| 13 | 355532620 | 1 | WASHER |
| 14 | 12034871 | 1 | LOCK WASHE |
| 15 | 10717511 | 1 | NUT |
| 16 | 322178050 | 1 | FRAME |
| 17 | 340415625 | 1 | BUSH |
| 18 | 300135084 | 1 | WASHER |
| 19 | 12034771 | 1 | LOCK WASHE |
| 20 | 11112424 | 1 | SCREW |
| 21 | 321208750 | 1 | STRAP |
| 22 | 300135086 | 1 | WASHER |
| 23 | 321123450 | 1 | PLATE |
| 24 | 355536220 | 1 | WASHER |
| 25 | 300132062 | 1 | NUT |
| 26 | 300132061 | 1 | PIN |

M 305 - M 306

IMBOCCO CONTROBATTITORE

Toile d'entree du contrebatteur
Lieblech korb

Conveing concave
Emcocadura del concavo

20.29

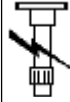
2/2 20290552023

DRUM

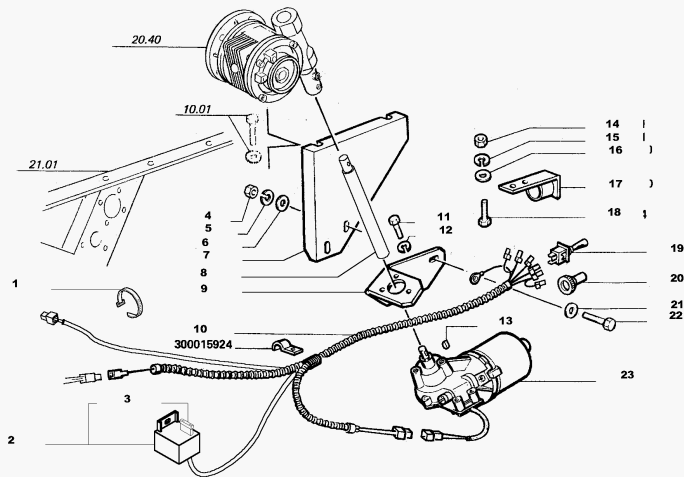
20 -
20.44/1

MCS GEAR REDUCTION ELECTRIC DRIVE

MTB "M" M 305 (563100051_563100066)



2020.44/
1



- | | |
|--------------|--------------|
| 300015924 | 1 CLAW |
| 1 340481810 | 1 CLAMP |
| 2 322830600 | 1 RELAIS SWI |
| 3 11055290 | 1 FUSE |
| 4 16100811 | 1 NUT |
| 5 12034571 | 1 LOCK WASHE |
| 6 355510820 | 1 WASHER |
| 7 322880650 | 1 STIRRUP |
| 8 322880750 | 1 UNIVERSAL |
| 9 322218050 | 1 SUPPORT |
| 10 322876700 | 1 WIRE/CABLE |
| 11 10902224 | 1 SCREW |
| 12 12035670 | 1 LOCK WASHE |
| 13 10220220 | 1 KEY |
| 14 16100811 | 1 NUT |
| 15 12034571 | 1 LOCK WASHE |
| 16 355510820 | 1 WASHER |
| 17 321704550 | 1 SUPPORT |
| 18 16043424 | 1 SCREW |
| 19 321932700 | 1 BUTTON |
| 20 340481354 | 1 PROTECTION |
| 21 355510820 | 1 WASHER |
| 22 16043424 | 1 SCREW |
| 23 322491900 | 1 ELECTRIC M |

● 000120356710 (1)

M 305 - M 306

COMANDO ELETTRICO RIDUTTORE MCS
Commande électrique reducteur MCS
MCS reduziergetriebe elektrische antrieb

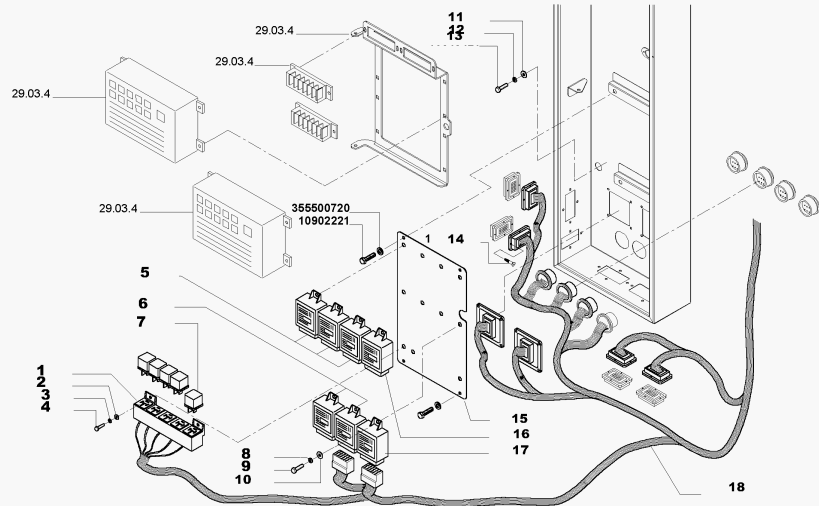
20.44

1/1 20440316000

MTB "M" M 305 (563100051_563100066)



2929.03/
5



- | | | |
|--------------|--------------------|--------------|
| 15688301 | | 1 SCREW |
| 1 300137083 | | 1 BLOCK |
| 2 355500620 | ● 003555006150 (2) | 2 WASHER |
| 3 12035471 | | 2 LOCK WASHE |
| 4 10977821 | | 2 SCREW |
| 5 321907650 | | 1 ELECTRONIC |
| 6 322118850 | | 1 ELECTRONIC |
| 7 321908450 | | 1 SWITCH, RE |
| 8 12035671 | | 1 LOCK WASHE |
| 9 10902421 | | 1 SCREW |
| 10 355500720 | ● 003555007150 (1) | 1 WASHER |
| 11 355500720 | ● 003555007150 (4) | 4 WASHER |
| 12 10902221 | | 4 SCREW |
| 13 355510820 | | 1 WASHER |
| 14 12034571 | | 1 LOCK WASHE |
| 15 16043421 | | 1 SCREW |
| 16 | | 1 SUPPORT |
| 17 322638150 | | 1 ELECTRONIC |
| 18 322118850 | | 1 ELECTRONIC |
| 19 323060200 | ● 003231975000 (1) | 1 WIRE/CABLE |

CIRCUITI DI CONTROLLO

M 305 - M 306

Circuits de contrôle
Kontrollkreisl

Control circuits
Circuitos de control

29.03

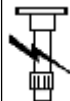
5/8 29030332000

ELETRIC SYSTEM

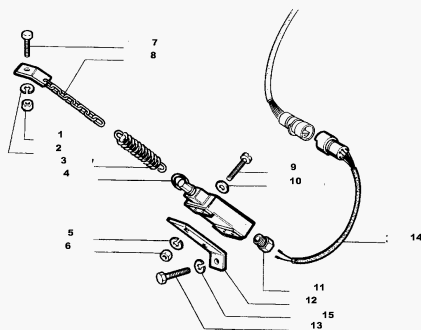
29 -
29.11/1

Digital instrumentation

MTB "M" M 305 (563100051_563100066)



2929.11/
1



- | | | | | |
|----|-----------|--------------------|---|------------|
| 1 | 16100811 | | 1 | NUT |
| 2 | 12034571 | | 1 | LOCK WASHE |
| 3 | 350356537 | | 1 | SPRING |
| 4 | 313573000 | | 1 | SWITCH |
| 5 | 12035471 | | 1 | LOCK WASHE |
| 6 | 15896421 | ● 000158964110 (1) | 1 | NUT |
| 7 | 16043424 | | 1 | SCREW |
| 8 | 321944550 | | 1 | CHAIN |
| 9 | 14358921 | | 1 | SCREW |
| 10 | 355500515 | | 1 | WASHER |
| 11 | 321115750 | ● 003219104000 (1) | 1 | CABLE CLIP |
| 12 | 321944650 | | 1 | SUPPORT |
| 13 | 16043624 | | 1 | SCREW |
| 14 | 321949900 | | 1 | WIRE/CABLE |
| 15 | 12034571 | | 1 | LOCK WASHE |

M 305 - M 306

Instruments digitaux
Digital instrumentation

STRUMENTAZIONE DIGITALE

Digital instrumentation
Instrumentacion digital

29.11

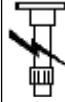
1/1 29110332000

ENGINE INSTALLATION

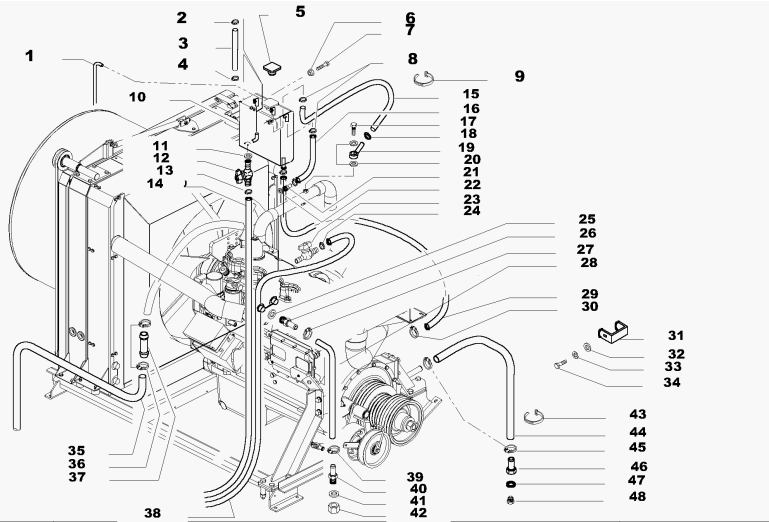
10 -
10.01/2

ENGINE INSTALLATION page 2

MTB "M" M 305 (563100051_563100066)



1010.01/
2



- | | | | | |
|----|-----------|--------------------|---|------------|
| 1 | 322327850 | | 1 | PIPE |
| 2 | 10186490 | | 1 | COLLAR |
| 3 | 19053182 | ● 000190531829 (1) | 1 | HOSE |
| 4 | 10186490 | | 1 | COLLAR |
| 5 | 322638350 | | 1 | PLUG |
| 6 | 16104111 | | 1 | NUT |
| 7 | 16043221 | | 1 | SCREW |
| 8 | 10186690 | | 1 | COLLAR |
| 9 | 340481806 | | 1 | CLAMP |
| 10 | 322995200 | ● 003234344000 (1) | 1 | TANK |
| 11 | 322731950 | | 1 | WASHER |
| 12 | 322310850 | | 1 | DRAINCOCK/ |
| 13 | 10186690 | | 1 | COLLAR |
| 14 | 322303850 | | 1 | HOSE |
| 15 | 322995450 | ● 003230134500 (1) | 1 | PIPE |
| 16 | 323013550 | | 1 | PIPE |
| 17 | 10184314 | | 1 | UNION |
| 18 | 10186690 | | 1 | COLLAR |
| 19 | 5150924 | | 1 | UNION |
| 20 | 355571415 | | 1 | WASHER |
| 21 | 321946550 | | 1 | BOLT, BANJ |
| 22 | 355571415 | | 1 | WASHER |
| 23 | 322895850 | | 1 | DRAINCOCK/ |
| 24 | 350391526 | | 1 | CLAMP |
| 25 | 355571415 | | 1 | WASHER |
| 26 | 321946550 | | 1 | BOLT, BANJ |
| 27 | 10186690 | | 1 | COLLAR |
| 28 | 322896150 | | 1 | PIPE |
| 29 | 322944150 | | 1 | PIPE |
| 30 | 350391526 | | 1 | CLAMP |
| 31 | 322869150 | | 1 | STIRRUP |

M 305 - M 306

Installation du moteur
Motor installation

INSTALLAZIONE MOTORE

Engine installation
Instalacion motor

10.01

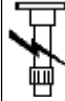
2/6 10010312000
10010332000

ENGINE INSTALLATION

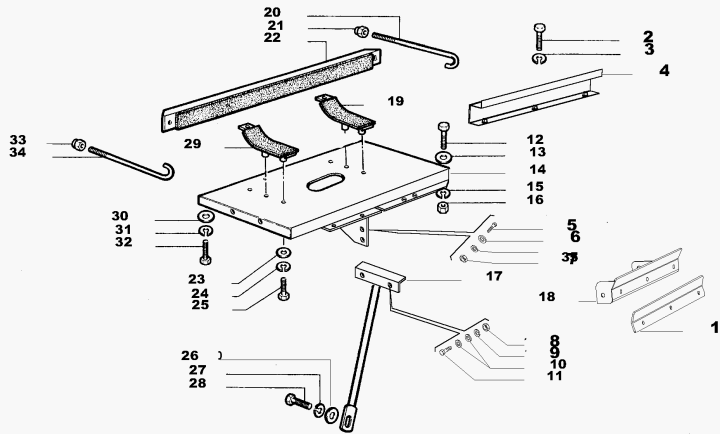
10 -
10.06/2

FUEL TANK page2

MTB "M" M 305 (563100051_563100066)



1010.06/
2



- | | | | |
|----|-----------|---|------------|
| 1 | 322891350 | 1 | STRAP |
| 2 | 16043424 | 1 | SCREW |
| 3 | 12034571 | 1 | LOCK WASHE |
| 4 | 322869350 | 1 | ABUTMENT |
| 5 | 11106221 | 1 | SCREW |
| 6 | 355511030 | 1 | WASHER |
| 7 | 12034671 | 1 | LOCK WASHE |
| 8 | 16100811 | 1 | NUT |
| 9 | 12034571 | 1 | LOCK WASHE |
| 10 | 355500915 | 1 | WASHER |
| 11 | 16043421 | 1 | SCREW |
| 12 | 16043624 | 1 | SCREW |
| 13 | 355510820 | 1 | WASHER |
| 14 | 322835350 | 1 | SUPPORT |
| 15 | 12034571 | 1 | LOCK WASHE |
| 16 | 16100811 | 1 | NUT |
| 17 | 322835450 | 1 | STRUT |
| 18 | 322891250 | 1 | PROFILE |
| 19 | 322171750 | 1 | COLLAR |
| 20 | 322140050 | 1 | TIE ROD |
| 21 | 12577211 | 1 | NUT |
| 22 | 322139350 | 1 | PROFILE |
| 23 | 355501120 | 1 | WASHER |
| 24 | 12034671 | 1 | LOCK WASHE |
| 25 | 11106021 | 1 | SCREW |
| 26 | 355511230 | 1 | WASHER |
| 27 | 12034771 | 1 | LOCK WASHE |
| 28 | 15540531 | 1 | SCREW |
| 29 | 322171750 | 1 | COLLAR |
| 30 | 355510820 | 1 | WASHER |
| 31 | 12034671 | 1 | LOCK WASHE |
| 32 | 16043624 | 1 | SCREW |
| 33 | 12577211 | 1 | NUT |
| 34 | 322140050 | 1 | TIE ROD |

M 305 - M 306

Reservoir carburant
Kraftstofftank

SERBATOIO COMBUSTIBILE

Fuel tank
Deposito de combustible

10.06

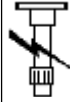
2/2 10060316000

ENGINE INSTALLATION

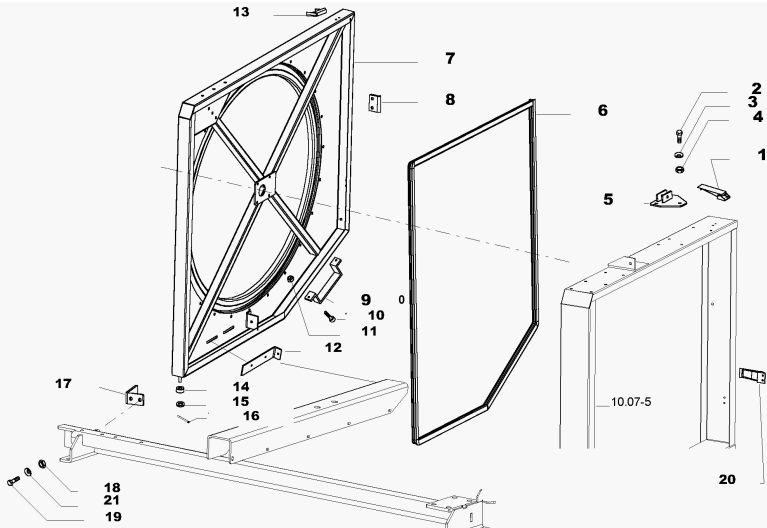
10 -
10.07/7

RADIATOR FILTER page7

MTB "M" M 305 (563100051_563100066)



1010.07/
7



- | | | | |
|----|-----------|---|------------|
| 1 | 300132764 | 1 | BRIDLE |
| 2 | 16043221 | 1 | SCREW |
| 3 | 322358 | 1 | WASHER |
| 4 | 16100811 | 1 | NUT |
| 5 | 322957550 | 1 | SUPPORT |
| 6 | 322827250 | 1 | GASKET |
| 7 | 322938550 | 1 | DOOR |
| 8 | 300132987 | 1 | PLATE |
| 9 | 321836450 | 1 | HANDLE |
| 10 | 14306920 | 1 | SCREW |
| 11 | 16104111 | 1 | NUT |
| 12 | 322882650 | 1 | BASE PLATE |
| 13 | 300132987 | 1 | PLATE |
| 14 | 322882550 | 1 | GUIDE ROLL |
| 15 | 355501125 | 1 | WASHER |
| 16 | 10734601 | 1 | LINCH PIN |
| 17 | 322882750 | 1 | CONTAINER |
| 18 | 16100811 | 1 | NUT |
| 19 | 16043821 | 1 | SCREW |
| 20 | 300132764 | 1 | BRIDLE |
| 21 | 322358 | 1 | WASHER |

M 305 - M 306

Installation du moteur
Motor installation

INSTALLAZIONE MOTORE

Engine installation
Instalacion motor

10.07

7/10 10070232000

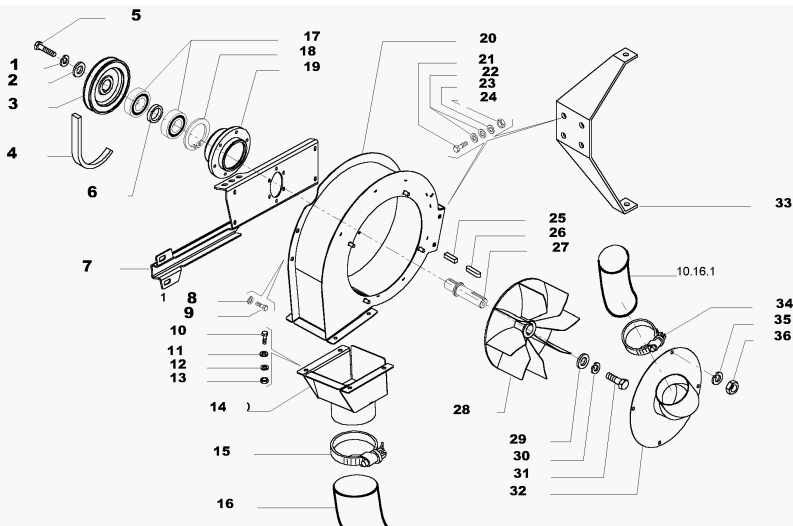
MTB "M" M 305 (563100051_563100066)



1010.16/
3

35 12034571
36 16100811

1 LOCK WASHE
1 NUT



M 305 - M 306

Aspirateur filtre radiateur
Kuehlerfilteransaug

ASPIRATORE FILTRO ROTANTE

Radiator filter intake
Aspirador filtro radiador

10.16

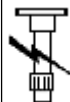
3/3 10160332000

FRONT ELEVATOR

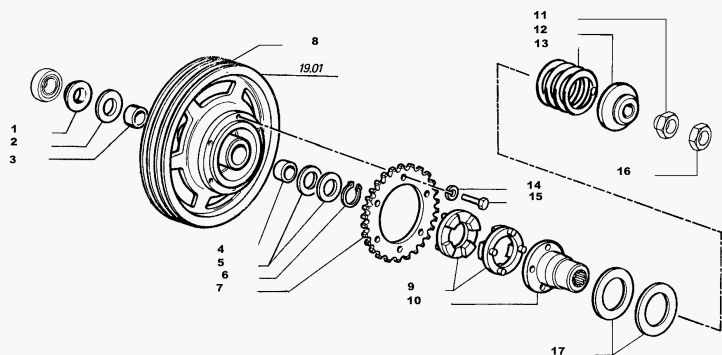
19 -
19.04/2

FRONT ELEVATOR page 2

MTB "M" M 305 (563100051_563100066)



1919.04/
2



- | | | | | |
|----|-----------|--------------------|---|-------------|
| 1 | 322223150 | | 1 | WASHER |
| 2 | 322223250 | | 1 | WASHER |
| 3 | 322222950 | | 1 | BEARING |
| 4 | 321933750 | | 1 | BEARING |
| 5 | 355544610 | | 1 | WASHER |
| 6 | 11068876 | | 1 | SPRING LOC |
| 7 | 322774650 | | 1 | GEAR |
| 8 | 321950550 | | 1 | PULLEY |
| 9 | 322701550 | | 1 | SLEEVE |
| 10 | 321886750 | ● 003218867503 (1) | 1 | HUB |
| 11 | 323180050 | | 1 | NUT |
| 12 | 322652250 | | 1 | PLATE, THRU |
| 13 | 353561115 | | 1 | SPRING |
| 14 | 12034671 | | 1 | LOCK WASHE |
| 15 | 11106424 | | 1 | SCREW |
| 16 | 10726711 | | 1 | NUT |
| 17 | 321915150 | ● 003219151505 (1) | 1 | WASHER |

M 305 - M 306

Elevateur avant
Vorderelevator

ELEVATORE ANTERIORE (PULEGGIA COMANDO)

Front elevator
Elevador anterior

19.04

2/11 19040572000

FRONT ELEVATOR

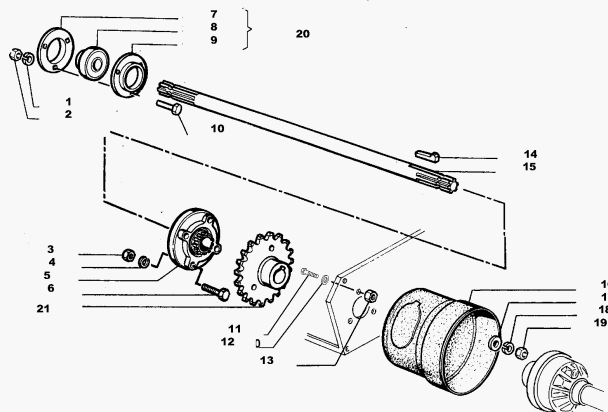
19 -
19.04/8

FRONT ELEVATOR page 8

MTB "M" M 305 (563100051_563100066)



1919.04/
8



- | | | | |
|----|-----------|---|------------|
| 1 | 12034671 | 1 | LOCK WASHE |
| 2 | 11701721 | 1 | NUT |
| 3 | 11702921 | 1 | NUT |
| 4 | 12034771 | 1 | LOCK WASHE |
| 5 | 322683950 | 1 | BEARING |
| 6 | 15215721 | 1 | SCREW |
| 7 | 340411406 | 1 | FLANGE COU |
| 8 | 340411206 | 1 | BEARING |
| 9 | 340411406 | 1 | FLANGE COU |
| 10 | 11106421 | 1 | SCREW |
| 11 | 16043421 | 1 | SCREW |
| 12 | 355510820 | 1 | WASHER |
| 13 | 16100811 | 1 | NUT |
| 14 | 350388205 | 1 | FLAT KEY |
| 15 | 322395050 | 1 | SHAFT |
| 16 | 322361450 | 1 | SHIELD |
| 17 | 355510820 | 1 | WASHER |
| 18 | 12034571 | 1 | LOCK WASHE |
| 19 | 16100811 | 1 | NUT |
| 20 | 340411010 | 1 | SUPPORT |
| 21 | 322774550 | 1 | GEAR |

● 003404114060 (1)
003404112060 (2)

M 305 - M 306

Elevateur avant
Vorderelevator

ELEVATORE ANTERIORE(ALBERO INFERIORE)

Front elevator
Elevador anterior

19.04

8/14 19040572000

CLICK HERE TO **DOWNLOAD** THE COMPLETE MANUAL

- Thank you very much for reading the preview of the manual.
- You can download the complete manual from: www.heydownloads.com by clicking the link below



- Please note: If there is no response to CLICKING the link, please download this PDF first and then click on it.

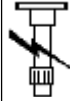
CLICK HERE TO **DOWNLOAD** THE COMPLETE MANUAL

FRONT ELEVATOR

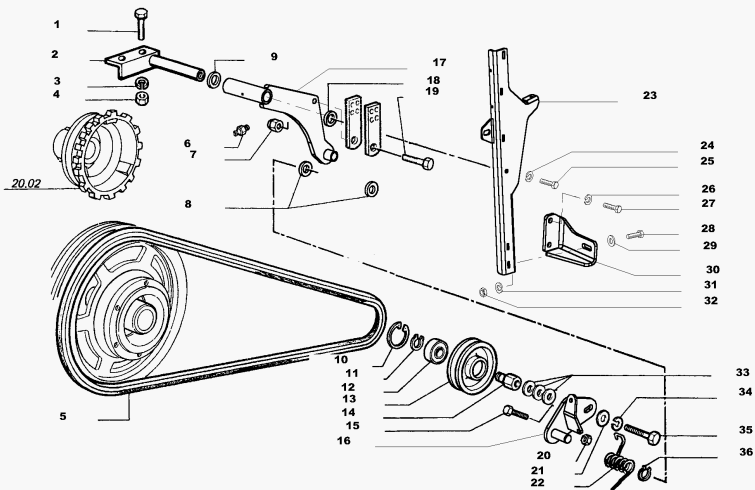
19 -
19.14/2

REVERSER page2

MTB "M" M 305 (563100051_563100066)



1919.14/
2



- | | | | |
|----|-----------|---|------------|
| 1 | 11106221 | 1 | SCREW |
| 2 | 322041350 | 1 | PIN |
| 3 | 12034671 | 1 | LOCK WASHE |
| 4 | 11701721 | 1 | NUT |
| 5 | 340433984 | 1 | BELT |
| 6 | 350357852 | 1 | NIPPLE, LU |
| 7 | 12577511 | 1 | NUT |
| 8 | 355535410 | 1 | WASHER |
| 9 | 355536720 | 1 | WASHER |
| 10 | 11060576 | 1 | SPRING LOC |
| 11 | 11067376 | 1 | SPRING LOC |
| 12 | 322638450 | 1 | BEARING |
| 13 | 300033832 | 1 | TENSIONER, |
| 14 | 322041250 | 1 | PIN |
| 15 | 16043824 | 1 | SCREW |
| 16 | 323183050 | 1 | SUPPORT |
| 17 | 323183150 | 1 | ARM |
| 18 | 355511210 | 1 | WASHER |
| 19 | 11112824 | 1 | SCREW |
| 20 | 16100811 | 1 | NUT |
| 21 | 355501330 | 1 | WASHER |
| 22 | 350356937 | 1 | SPRING |
| 23 | 323182850 | 1 | STRUT |
| 24 | 12034771 | 1 | LOCK WASHE |
| 25 | 11112221 | 1 | SCREW |
| 26 | 12034771 | 1 | LOCK WASHE |
| 27 | 16055221 | 1 | SCREW |
| 28 | 11112621 | 1 | SCREW |
| 29 | 355501330 | 1 | WASHER |
| 30 | 323182950 | 1 | STIRRUP |
| 31 | 12034771 | 1 | LOCK WASHE |
| 32 | 11702921 | 1 | NUT |
| 33 | 355511220 | 1 | WASHER |

003000338323 (1)

M 305 - M 306

Inverseur
Ruecklaufvorrichtung

INVERSOIRE

Reverser
Inversor

19.14

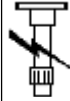
2/2 19140332000

GRAIN TANK

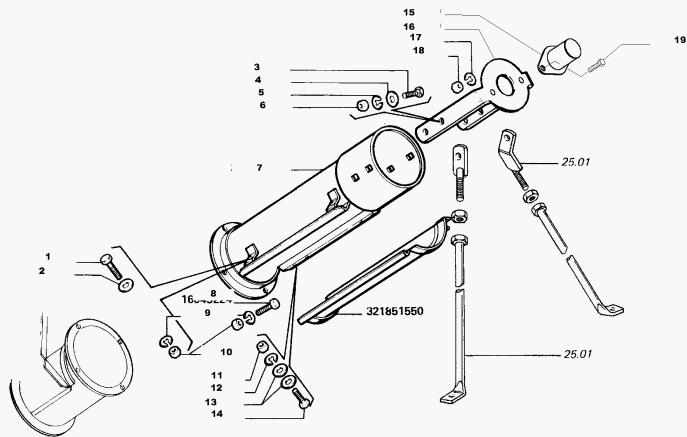
25 -
25.05/2

TANK FEED page 2

MTB "M" M 305 (563100051_563100066)



2525.05/
2



- | | | | | |
|----|-----------|--------------------|---|------------|
| 1 | 16043224 | | 1 | SCREW |
| 2 | 355510820 | | 1 | WASHER |
| 3 | 350342511 | | 1 | SCREW |
| 4 | 355500915 | | 1 | WASHER |
| 5 | 12034571 | | 1 | LOCK WASHE |
| 6 | 16100811 | | 1 | NUT |
| 7 | 321851450 | | 1 | PIPE |
| 8 | 16043224 | | 1 | SCREW |
| 9 | 12034571 | | 1 | LOCK WASHE |
| 10 | 16100811 | | 1 | NUT |
| 11 | 15896221 | | 1 | NUT |
| 12 | 12035670 | ● 000120356710 (1) | 1 | LOCK WASHE |
| 13 | 355500715 | | 1 | WASHER |
| 14 | 10902224 | | 1 | SCREW |
| 15 | 323117150 | | 1 | COVER |
| 16 | 323114150 | | 1 | BACKBONE |
| 17 | 12035670 | ● 000120356710 (1) | 1 | LOCK WASHE |
| 18 | 15896221 | | 1 | NUT |
| 19 | 10902224 | | 1 | SCREW |
| 20 | 321851550 | | 1 | HATCH |

M 305 - M 306

Alimentation de la trémie
Einzugortank

ALIMENTAZIONE SERBATOIO

Tank feed
Alimentacion de la tolva

25.05

2/3 25050332000

GRAIN TANK

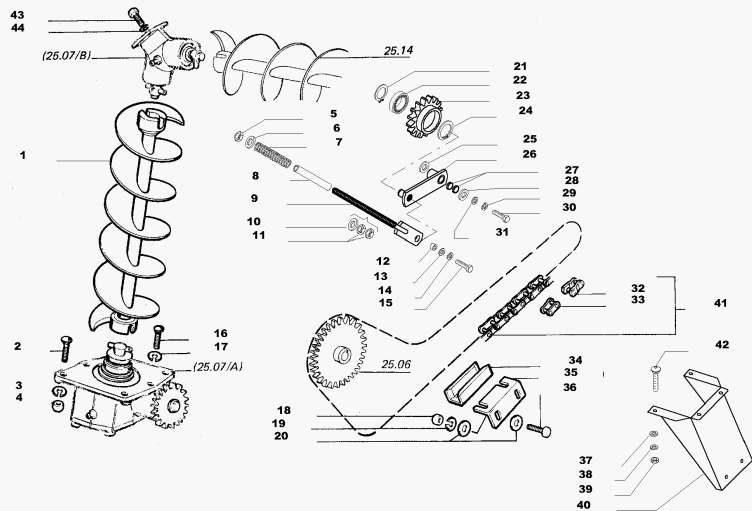
25 -
25.07/4

GRAIN TANK UNLOADING VERTICAL TUBE page4

MTB "M" M 305 (563100051_563100066)



2525.07/
4



- | | | | | |
|----|-----------|--------------------|---|------------|
| 33 | 340437200 | ● 003278401250 (1) | 1 | CONNECTING |
| 34 | 321917350 | | 1 | SKATE |
| 35 | 322815550 | | 1 | ANGULAR |
| 36 | 16043424 | | 1 | SCREW |
| 37 | 355510820 | | 1 | WASHER |
| 38 | 12034571 | | 1 | LOCK WASHE |
| 39 | 16100811 | | 1 | NUT |
| 40 | 322815450 | ● 003230421500 (1) | 1 | SUPPORT |
| 41 | 344375228 | | 1 | CHAIN ASA |
| 42 | 350342511 | | 1 | SCREW |
| 43 | 11106221 | | 1 | SCREW |
| 44 | 12034671 | | 1 | LOCK WASHE |

M 305 - M 306

Tubo vertical de vidange de la trémie
Kortankauslaufvertikalrohr

TUBO VERTICALE SCARICO SERBATOIO

Grain tank unloading vertical tube
Tubo vertical descarga de la tolva

25.07

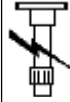
4/6 25070332000

GRAIN TANK

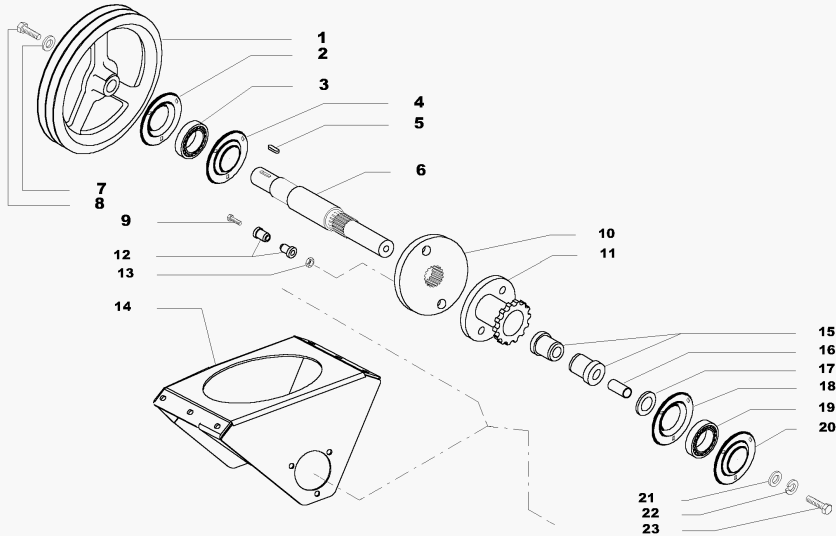
25 -
25.08/3

DRIVE AND UNLOADING TANK CLUTCH page3

MTB "M" M 305 (563100051_563100066)



2525.08/
3



- | | | | |
|----|-----------|---|------------|
| 1 | 322810350 | 1 | PULLEY |
| 2 | 340411406 | 1 | FLANGE COU |
| 3 | 340411238 | 1 | BEARING |
| 4 | 340411406 | 1 | FLANGE COU |
| 5 | 350384460 | 1 | KEY |
| 6 | 322811250 | 1 | MAST |
| 7 | 355521260 | 1 | WASHER |
| 8 | 11112421 | 1 | SCREW |
| 9 | 16044321 | 1 | SCREW |
| 10 | 322811350 | 1 | HUB |
| 11 | 322812350 | 1 | GEAR |
| 12 | 322812450 | 1 | BUSH |
| 13 | 16104111 | 1 | NUT |
| 14 | 322812950 | 1 | SUPPORT |
| 15 | 322878850 | 1 | BUSH |
| 16 | 322812550 | 1 | SPACER |
| 17 | 322812650 | 1 | WASHER |
| 18 | 340411405 | 1 | FLANGE COU |
| 19 | 340411237 | 1 | BEARING |
| 20 | 340411405 | 1 | FLANGE COU |
| 21 | 355511260 | 1 | WASHER |
| 22 | 12034771 | 1 | LOCK WASHE |
| 23 | 11112421 | 1 | SCREW |

M 305 - M 306

TRASMISSIONE E INNESTO SCARICO SERBATOIO

Transmission et embrayage vidange de trémie
Antrieb und Kortankentierungkupplung

Drive and unloading tank clutch
Transmission y embrague descarga de la tolva

25.08

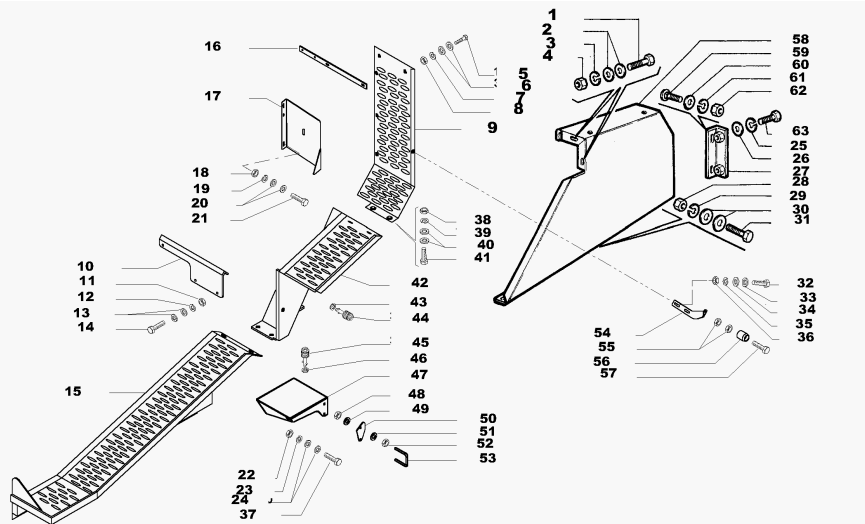
3/3 25080316000

GUARD AND FAIRINGS

26 -
26.07/3

L.H. REAR SIDE WALL GUARD page3

MTB "M" M 305 (563100051_563100066)



M 305 - M 306

PROTEZIONE POSTERIORE LATO SINISTRO
Protection arrier flanc gauche
Hinterschutzblech seitenwand links
L.H. rear side wall guard
Proteccion posterior costado izquierdo

26.07

3/4 26070316000

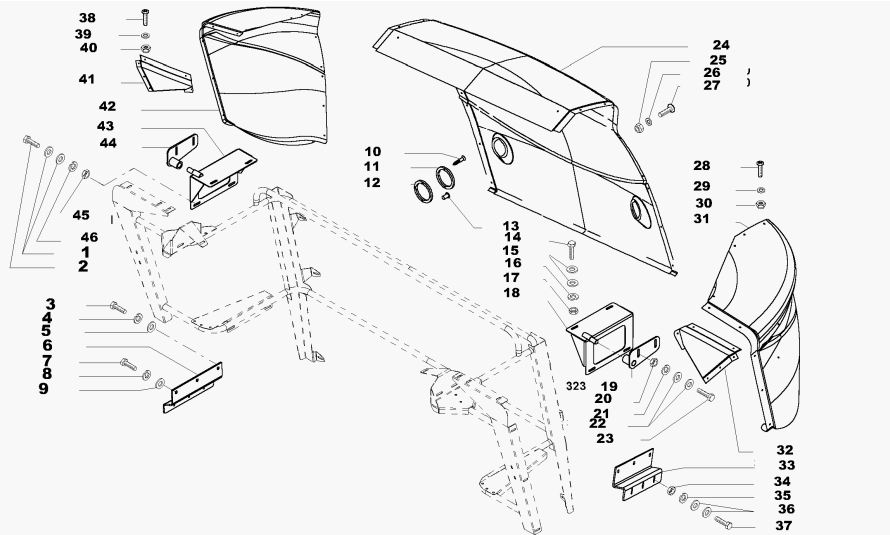
- | | | | |
|----|-----------|---|------------|
| 35 | 12034571 | 1 | LOCK WASHE |
| 36 | 16100811 | 1 | NUT |
| 37 | 16043621 | 1 | SCREW |
| 38 | 16100811 | 1 | NUT |
| 39 | 12034571 | 1 | LOCK WASHE |
| 40 | 355510820 | 1 | WASHER |
| 41 | 16043421 | 1 | SCREW |
| 42 | 322892750 | 1 | SHIELD |
| 43 | 320899350 | 1 | WASHER |
| 44 | 321551650 | 1 | STEM |
| 45 | 321551650 | 1 | STEM |
| 46 | 320899350 | 1 | WASHER |
| 47 | 323185750 | 1 | BACKBONE |
| 48 | 16100811 | 1 | NUT |
| 49 | 355510820 | 1 | WASHER |
| 50 | 323121050 | 1 | BASE PLATE |
| 51 | 355510820 | 1 | WASHER |
| 52 | 16100811 | 1 | NUT |
| 53 | 323121150 | 1 | HITCH |
| 54 | 323059050 | 1 | STIRRUP |
| 55 | 15896211 | 1 | NUT |
| 56 | 201139752 | 1 | RUBBER STO |
| 57 | 10903221 | 1 | SCREW |
| 58 | 322155750 | 1 | SHIELD |
| 59 | 350342510 | 1 | SCREW |
| 60 | 355510820 | 1 | WASHER |
| 61 | 12034571 | 1 | LOCK WASHE |
| 62 | 16100811 | 1 | NUT |
| 63 | 16043424 | 1 | SCREW |

GUARD AND FAIRINGS

26 -
26.08/5

REAR BODY

MTB "M" M 305 (563100051_563100066)



- | | | | |
|----|-----------|--------------------|------------|
| 1 | 355510820 | 1 | WASHER |
| 2 | 16043421 | 1 | SCREW |
| 3 | 16043421 | 1 | SCREW |
| 4 | 12034571 | 1 | LOCK WASHE |
| 5 | 355510820 | 1 | WASHER |
| 6 | 322945650 | 1 | PROFILE |
| 7 | 16043421 | 1 | SCREW |
| 8 | 12034571 | 1 | LOCK WASHE |
| 9 | 355510820 | 1 | WASHER |
| 10 | 15901401 | 1 | SCREW |
| 11 | 322899950 | 1 | RING |
| 12 | 322899850 | 1 | RING |
| 13 | 14641592 | 1 | RIVET |
| 14 | 16043421 | 1 | SCREW |
| 15 | 355510820 | 1 | WASHER |
| 16 | 12034571 | 1 | LOCK WASHE |
| 17 | 16100811 | 1 | NUT |
| 18 | 323050850 | 1 | SUPPORT |
| 19 | 323076250 | 1 | PLATE |
| 20 | 11701711 | 1 | NUT |
| 21 | 12034671 | 1 | LOCK WASHE |
| 22 | 355501120 | 1 | WASHER |
| 23 | 11106221 | 1 | SCREW |
| 24 | 322836450 | 1 | ELEMENT |
| 25 | 12574211 | 1 | NUT |
| 26 | 355510620 | ● 003555106150 (1) | 1 WASHER |
| 27 | 322898250 | 1 | SCREW |
| 28 | 322898250 | 1 | SCREW |
| 29 | 355510620 | ● 003555106150 (1) | 1 WASHER |
| 30 | 12574211 | 1 | NUT |
| 31 | 322836350 | 1 | BOARD |
| 32 | 322868650 | 1 | COVER |

M 305 - M 306

Carenage
Haube

CARENATURA POSTERIORE

Body rear
Carenado

26.08

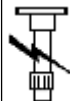
5/7 26080332000

HYDRAULIC SYSTEM

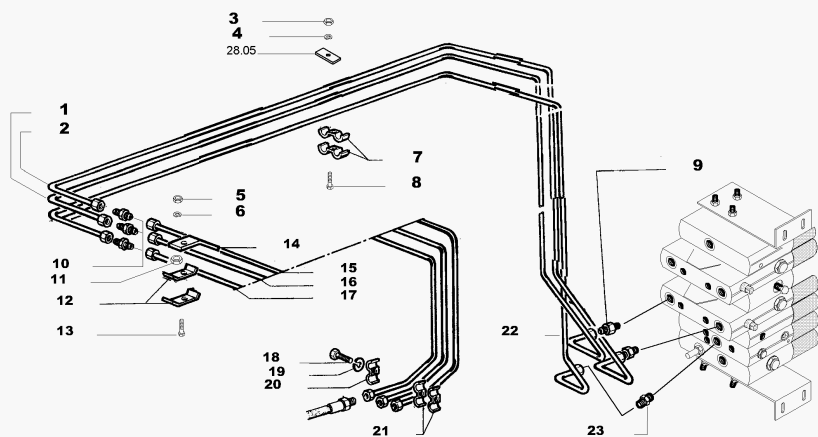
28 -
28.04/1

REEL CIRCUIT HYDRAULIC page 1

MTB "M" M 305 (563100051_563100066)



2828.04/
1



- | | | | | |
|----|-----------|--------------------|---|------------|
| 1 | 322887350 | | 1 | PIPE |
| 2 | 322887450 | | 1 | PIPE |
| 3 | 15896221 | | 1 | NUT |
| 4 | 12035671 | | 1 | LOCK WASHE |
| 5 | 16100811 | | 1 | NUT |
| 6 | 12034571 | | 1 | LOCK WASHE |
| 7 | 300136688 | | 1 | BRIDLE |
| 8 | 10903421 | | 1 | SCREW |
| 9 | 322103700 | | 1 | UNION |
| 10 | 321418450 | | 1 | UNION |
| 11 | 16102321 | ● 000161023110 (1) | 1 | NUT |
| 12 | 300015722 | | 1 | BRIDLE |
| 13 | 16040621 | | 1 | SCREW |
| 14 | 322113950 | | 1 | SUPPORT |
| 15 | 322123450 | | 1 | PIPE |
| 16 | 322123650 | | 1 | PIPE |
| 17 | 322123050 | | 1 | PIPE |
| 18 | 10903421 | | 1 | SCREW |
| 19 | 12035670 | ● 000120356710 (1) | 1 | LOCK WASHE |
| 20 | 300136688 | | 1 | BRIDLE |
| 21 | 300136688 | | 1 | BRIDLE |
| 22 | 322887250 | | 1 | PIPE |
| 23 | 322103900 | | 1 | UNION |

M 305 - M 306

Circuits hydrauliques rabatteur
kreislauf des hydraulik haspel

CIRCUITI IDRAULICI ASPO

Reel circuit hydraulic
Circuitos hidraulicos molinete

28.04

1/2 28040316000

STRAW WALKERS

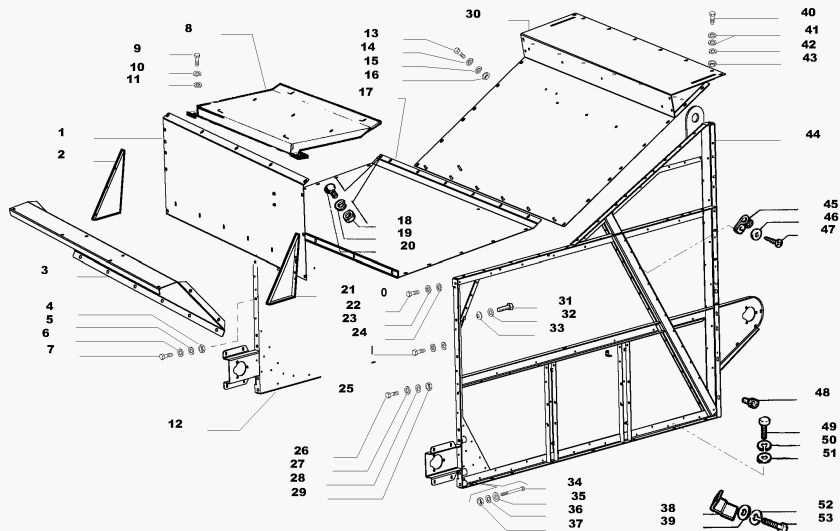
21 -
21.01/1

STRAW WALKERS CASE page1

MTB "M" M 305 (563100051_563100066)



2121.01/
1



- | | | | |
|----|-----------|---|------------|
| 35 | 355511030 | 1 | WASHER |
| 36 | 12034771 | 1 | LOCK WASHE |
| 37 | 11702911 | 1 | NUT |
| 38 | 321810950 | 1 | BRACKET, S |
| 39 | 355500920 | 1 | WASHER |
| 40 | 16043424 | 1 | SCREW |
| 41 | 355510820 | 1 | WASHER |
| 42 | 12034771 | 1 | LOCK WASHE |
| 43 | 16101521 | 1 | NUT |
| 44 | 323093650 | 1 | BOARD |
| 45 | 322393750 | 1 | CLAMP |
| 46 | 355500610 | 1 | WASHER |
| 47 | 15688301 | 1 | SCREW |
| 48 | 5115197 | 1 | PLUG |
| 49 | 11106424 | 1 | SCREW |
| 50 | 12034671 | 1 | LOCK WASHE |
| 51 | 355511030 | 1 | WASHER |
| 52 | 12034571 | 1 | LOCK WASHE |
| 53 | 16043424 | 1 | SCREW |

● 003555006150 (1)

M 305 - M 306

Caisson secoueurs
Schuettlerkasten

CASSA SCUOTIPAGLIA

Straw walker case
Caja sacudidores

21.01

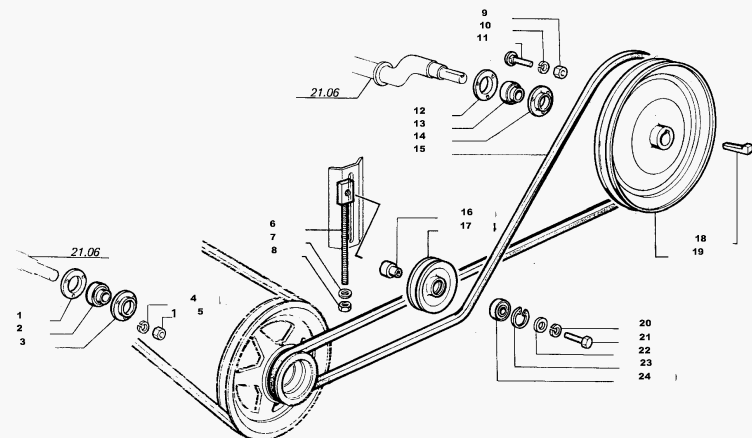
1/2 21010316000

STRAW WALKERS

21 -
21.10/2

STRAW WALKER DRIVE page2

MTB "M" M 305 (563100051_563100066)



- | | | | |
|----|--------------------|---|------------|
| 1 | 340411406 | 1 | FLANGE COU |
| 2 | 340411206 | 1 | BEARING |
| 3 | 340411406 | 1 | FLANGE COU |
| 4 | 12034671 | 1 | LOCK WASHE |
| 5 | 11701721 | 1 | NUT |
| 6 | 300137498 | 1 | TIE ROD |
| 7 | 355511020 | 1 | WASHER |
| 8 | 12577211 | 1 | NUT |
| 9 | 11701721 | 1 | NUT |
| 10 | 12034671 | 1 | LOCK WASHE |
| 11 | 350342525 | 1 | SCREW |
| 12 | 340411406 | 1 | FLANGE COU |
| 13 | 340411206 | 1 | BEARING |
| 14 | 340411406 | 1 | FLANGE COU |
| 15 | 340433474 | 1 | BELT |
| 16 | 321193650 | 1 | BUSH |
| 17 | 300010534 | 1 | TENSIONER, |
| | ● 003000105345 (1) | 1 | KEY |
| 18 | 350380560 | 1 | PULLEY |
| 19 | 322126250 | 1 | LOCK WASHE |
| 20 | 12034771 | 1 | SCREW |
| 21 | 15541124 | 1 | WASHER |
| 22 | 355511260 | 1 | SPRING LOC |
| 23 | 11060576 | 1 | BEARING |
| 24 | 322638450 | | |

M 305 - M 306

Transmission seccueurs
Sschuttlerantreib

TRASMISSIONE SCUOTIPAGLIA

Straw walker drive
Trasmision sacudidores

21.10

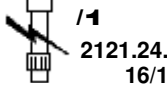
2/2 21100131002

STRAW WALKERS

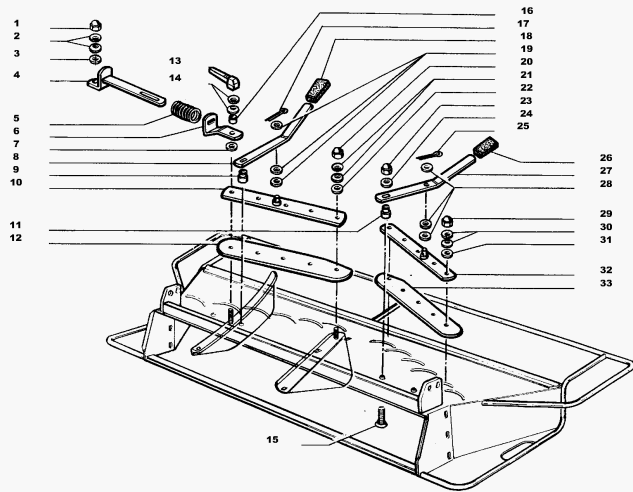
21 -

STRAW CHOPPER - DEFLECTORS page 2

21 24.16



MTB "M" M 305 (563100051_563100066)



M 305 - M 306

TRINCIAPAGLIA- REGOLAZIONE DEVIATORI DI FLUSSO
 Hache-paille - Réglage des deflecteurs
 Strohhaeckler - Verteilenverstellung
 Straw chopper - Deflectors adjustment
 Cortador de paja - Regulación de los deflectores

21.24.16

16/17 21240332000

- | | | | |
|----|-----------|---|------------|
| 1 | 322218750 | 1 | NUT |
| 2 | 321365050 | 1 | SPRING |
| 3 | 355510820 | 1 | WASHER |
| 4 | 322338050 | 1 | TIE ROD |
| 5 | 353561167 | 1 | SPRING |
| 6 | 322338150 | 1 | SPRING STO |
| 7 | 355520860 | 1 | WASHER |
| 8 | 322336950 | 1 | LEVER LEAD |
| 9 | 322337250 | 1 | BUSH |
| 10 | 322336550 | 1 | ROD |
| 11 | 322337250 | 1 | BUSH |
| 12 | 322336650 | 1 | SKATE |
| 13 | 322354150 | 1 | HANDLE |
| 14 | 321365050 | 1 | SPRING |
| 15 | 14442321 | 1 | SCREW |
| 16 | 340415206 | 1 | SPACER |
| 17 | 10733601 | 1 | LINCH PIN |
| 18 | 322337750 | 1 | HANDLE GRI |
| 19 | 355532620 | 1 | WASHER |
| 20 | 322218750 | 1 | NUT |
| 21 | 321365050 | 1 | SPRING |
| 22 | 355510810 | 1 | WASHER |
| 23 | 322218750 | 1 | NUT |
| 24 | 355510820 | 1 | WASHER |
| 25 | 10733601 | 1 | LINCH PIN |
| 26 | 322337750 | 1 | HANDLE GRI |
| 27 | 322336950 | 1 | LEVER LEAD |
| 28 | 355532620 | 1 | WASHER |
| 29 | 322218750 | 1 | NUT |
| 30 | 321365050 | 1 | SPRING |
| 31 | 355510810 | 1 | WASHER |
| 32 | 322336550 | 1 | ROD |

003555108200 (1)

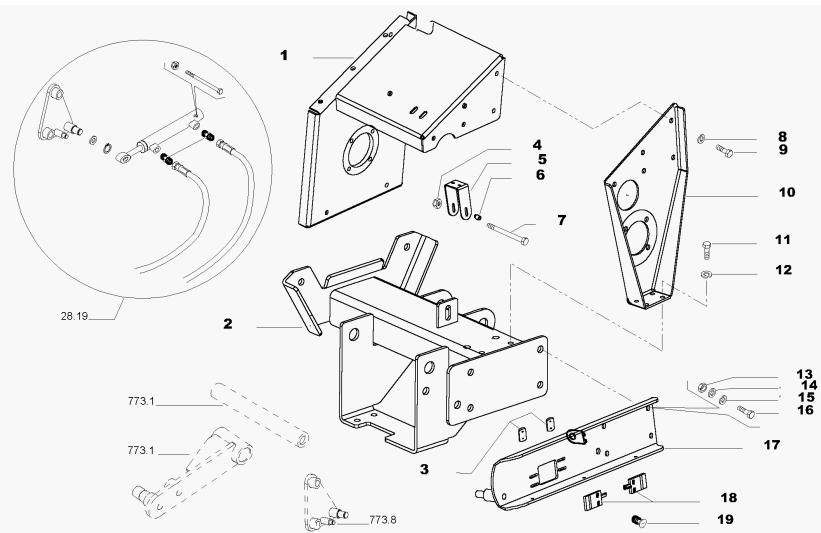
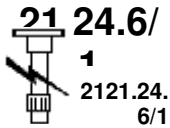
003555108200 (1)

STRAW WALKERS

21 -

STRAW CHOPPER - DRIVE CLUTCH

MTB "M" M 305 (563100051_563100066)



- | | | | |
|----|-----------|---|------------|
| 1 | 322837150 | 1 | PLATE |
| 2 | 322835150 | 1 | STIRRUP |
| 3 | 322836150 | 1 | RETAINING |
| 4 | 16104111 | 1 | NUT |
| 5 | 322837950 | 1 | YOKE |
| 6 | 322839450 | 1 | BUSH |
| 7 | 16044521 | 1 | SCREW |
| 8 | 12034671 | 1 | LOCK WASHE |
| 9 | 11106221 | 1 | SCREW |
| 10 | 322837050 | 1 | STIRRUP |
| 11 | 11106221 | 1 | SCREW |
| 12 | 12034671 | 1 | LOCK WASHE |
| 13 | 11701711 | 1 | NUT |
| 14 | 355501130 | 1 | WASHER |
| 15 | 12034671 | 1 | LOCK WASHE |
| 16 | 11106421 | 1 | SCREW |
| 17 | 322836050 | 1 | PROFILE |
| 18 | 322864200 | 1 | SWITCH |
| 19 | 10375811 | 1 | SCREW |

M 305 - M 306

Hache-paille - Supports
Strohhaeckstler - Halterungs

TRINCIAPAGLIA - SUPPORTI

Straw chopper - Supports
Cortador de paja - Soportes

21.24.6

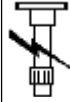
6/17 21240332000

TRACTION

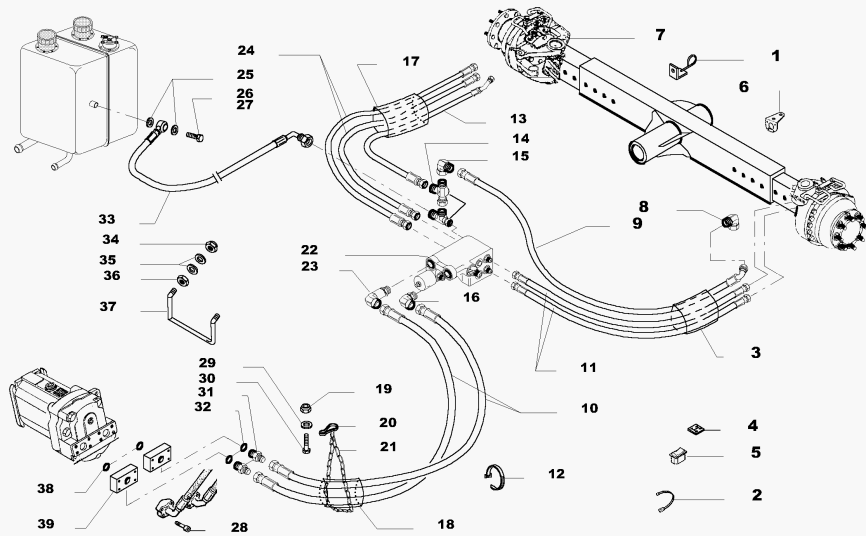
11 -
11.06/1

POWERED REAR AXLE FOUR WD page1

MTB "M" M 305 (563100051_563100066)



1111.06/
1



- | | | | | |
|----|-----------|--------------------|---|---------|
| 34 | 16104111 | | 1 | NUT |
| 35 | 355510820 | | 1 | WASHER |
| 36 | 16100811 | | 1 | NUT |
| 37 | 322843650 | | 1 | SUPPORT |
| 38 | 14463780 | | 1 | O-RING |
| 39 | 89811684 | ● 000098116840 (1) | 1 | BLOCK |

M 305 - M 306

Essieu arriere
Hinterachse

TRAZIONE A 4 RUOTE MOTRICI

Powered rear axle four wd
Puente posterior

11.06

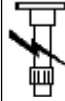
1/5 11060131022

TRACTION

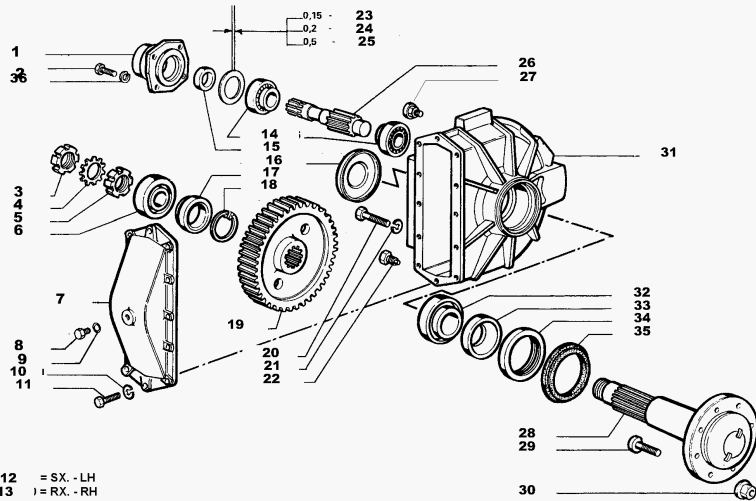
11 -
11.12/1

REDUCERS

MTB "M" M 305 (563100051_563100066)



1111.12/
1



- | | | | |
|----|-----------|---|------------|
| 1 | 321936650 | 1 | FLANGE |
| 2 | 11106424 | 1 | SCREW |
| 3 | 321133950 | 1 | NUT, RING |
| 4 | 300129763 | 1 | WASHER |
| 5 | 321133950 | 1 | NUT, RING |
| 6 | 340406580 | 1 | BEARING |
| 7 | 322623250 | 1 | COVER BOX |
| 8 | 300133689 | 1 | PLUG |
| 9 | 14452980 | 1 | O-RING |
| 10 | 12034671 | 1 | LOCK WASHE |
| 11 | 11106424 | 1 | SCREW |
| 12 | 322353900 | 1 | GEAR REDUC |
| 13 | 322354600 | 1 | GEAR REDUC |
| 14 | 340406546 | 1 | BEARING |
| 15 | 353587178 | 1 | GASKET |
| 16 | 321924850 | 1 | COVER |
| 17 | 322069550 | 1 | SPACER |
| 18 | 11075176 | 1 | SPRING LOC |
| 19 | 322061950 | 1 | CROWNWHEEL |
| 20 | 11119231 | 1 | SCREW |
| 21 | 12034871 | 1 | LOCK WASHE |
| 22 | 322062500 | 1 | PLUG |
| 23 | 321982850 | 1 | WASHER |
| 24 | 321982950 | 1 | WASHER |
| 25 | 321983050 | 1 | WASHER |
| 26 | 322061850 | 1 | SHAFT |
| 27 | 312974500 | 1 | PLUG |
| 28 | 322069850 | 1 | AXIS |
| 29 | 322304650 | 1 | COLUMN |
| 30 | 320630350 | 1 | NUT |
| 31 | 322350850 | 1 | BOX |
| 32 | 344065120 | 1 | BEARING |

● 000144529810 (1)

● CID 2411 (1)

M 305 - M 306

Reducteur
Untersetzler

RIDUTTORI

Reducers
Reductores

11.12

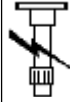
1/1 11120131002

TRACTION

11 -
11.24/1

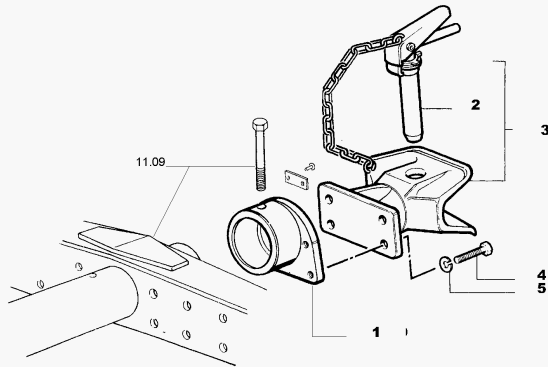
TOW HOOK ROCKINGER

MTB "M" M 305 (563100051_563100066)



1111.24/
1

- | | | | | | |
|---|-----------|---|------------------|---|------------|
| 1 | 322798250 | ● | 003233855500 (1) | 1 | EXTENSION |
| 2 | 9928594 | | | 1 | PIN |
| 3 | 320871900 | ● | 003232318000 (1) | 1 | TOW HOOK |
| 4 | 11422324 | ● | 000114223240 (1) | 1 | SCREW |
| 5 | 12035571 | | | 1 | LOCK WASHE |



M 305 - M 306

Crochet d'attelage
Abschiepphaken

GANCIO DI TRAINO

Tow hook
Enganche del remorque

11.24

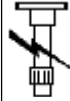
1/1 11240131002

TRACTION

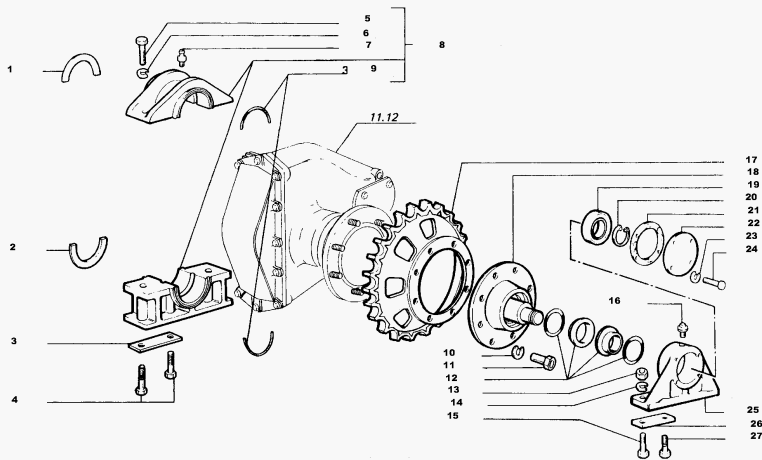
11 -
13.88/2

CRAWLER TRACKS page 2

MTB "M" M 305 (563100051_563100066)



1113.88/
2



- | | | | |
|----|-----------|---|------------|
| 1 | 300132992 | 1 | HALF-RING |
| 2 | 300132992 | 1 | HALF-RING |
| 3 | 300132996 | 1 | PLATE |
| 4 | 366172030 | 1 | SCREW |
| 5 | 15988531 | 1 | SCREW |
| 6 | 12035071 | 1 | LOCK WASHE |
| 7 | 350357803 | 1 | NIPPLE, LU |
| 8 | 313299000 | 1 | SUPPORT |
| 9 | 300134550 | 1 | GASKET |
| 10 | 350354533 | 1 | LOCK WASHE |
| 11 | 321119750 | 1 | NUT |
| 12 | 311455700 | 1 | GASKET |
| 13 | 10721121 | 1 | NUT |
| 14 | 12035071 | 1 | LOCK WASHE |
| 15 | 15988521 | 1 | SCREW |
| 16 | 350359405 | 1 | PLUG |
| 17 | 322581850 | 1 | WHEEL |
| 18 | 320779450 | 1 | PIN |
| 19 | 340405365 | 1 | BEARING |
| 20 | 11070076 | 1 | SPRING LOC |
| 21 | 300132994 | 1 | GASKET |
| 22 | 300132997 | 1 | COVER |
| 23 | 12034571 | 1 | LOCK WASHE |
| 24 | 16043424 | 1 | SCREW |
| 25 | 300132991 | 1 | SUPPORT |
| 26 | 300132996 | 1 | PLATE |
| 27 | 366172030 | 1 | SCREW |

● 000159885310 (1)

M 305 - M 306

Chenilles
Raupenkettan

CINGOLATURA - A 7 RULLI

Crawler tracks
Orugas

13.88

2/6 00711181601

TRACTION

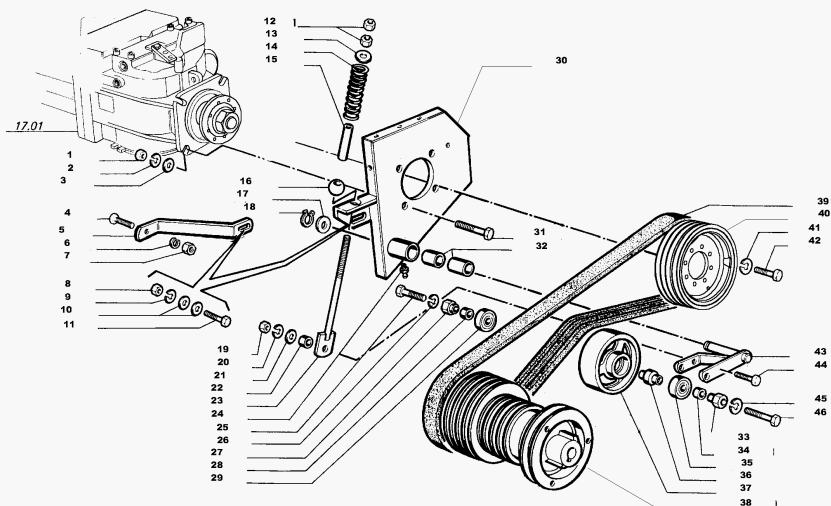
11 -
17.02/1

PUMP DRIVE page1

MTB "M" M 305 (563100051_563100066)



1117.02/
1



- | | | | |
|----|-----------|--------------------|--------------|
| 35 | 322638450 | | 1 BEARING |
| 36 | 300134315 | | 1 PIN |
| 37 | 300117717 | | 1 GEAR |
| 38 | 322810450 | | 1 PULLEY |
| 39 | 344311227 | ● 003443112400 (1) | 1 BELT |
| 40 | 323003450 | | 1 PULLEY |
| 41 | 12034671 | | 1 LOCK WASHE |
| 42 | 11106424 | | 1 SCREW |
| 43 | 322100950 | | 1 YOKE |
| 44 | 11112424 | | 1 SCREW |
| 45 | 12034771 | | 1 LOCK WASHE |
| 46 | 15232821 | | 1 SCREW |

M 305 - M 306

Transmission de la pompa
Pumpenantrieb

TRASMISSIONE POMPA

Pump drive
Trasmision de la bomba

17.02

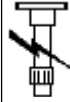
1/1 17020332000

TRACTION

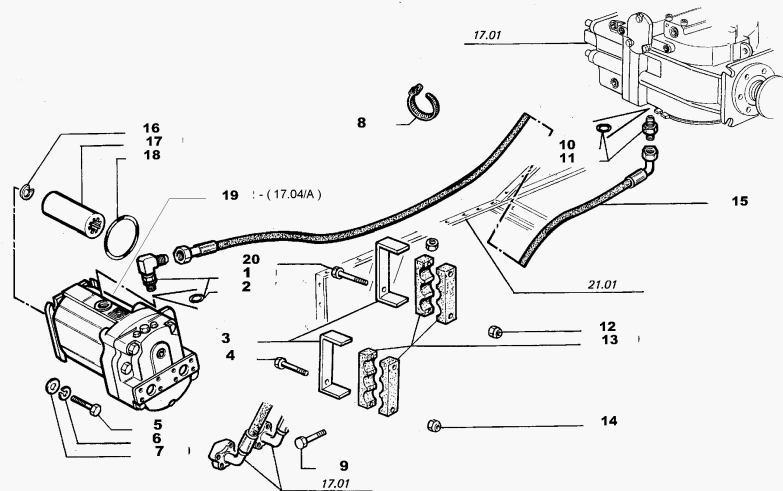
11 -
17.04/1

HYDROSTATIC MOTOR

MTB "M" M 305 (563100051_563100066)



1117.04/
1



- | | | | |
|----|-----------|---|------------|
| 1 | 321961800 | 1 | UNION |
| 2 | 353587177 | 1 | O-RING |
| 3 | 320978850 | 1 | STRAP |
| 4 | 16044921 | 1 | SCREW |
| 5 | 11116021 | 1 | SCREW |
| 6 | 12035571 | 1 | LOCK WASHE |
| 7 | 355501550 | 1 | WASHER |
| 8 | 340481809 | 1 | CLAMP |
| 9 | 16043624 | 1 | SCREW |
| 10 | 353587177 | 1 | O-RING |
| 11 | 321961600 | 1 | UNION |
| 12 | 16104121 | 1 | NUT |
| 13 | 320978750 | 1 | CONNECTOR |
| 14 | 16104121 | 1 | NUT |
| 15 | 322825650 | 1 | PIPE |
| 16 | 11059476 | 1 | SPRING LOC |
| 17 | 322245850 | 1 | SLEEVE |
| 18 | 14466880 | 1 | O-RING |
| 19 | 9508952 | 1 | HYDRAULIC |
| 20 | 16044921 | 1 | SCREW |

M 305 - M 306

Moteur hydrostatique
Hydrostatischenmotor


MOTORE IDROSTATICO

Hydrostatic motor
Motor hidrostático

17.04

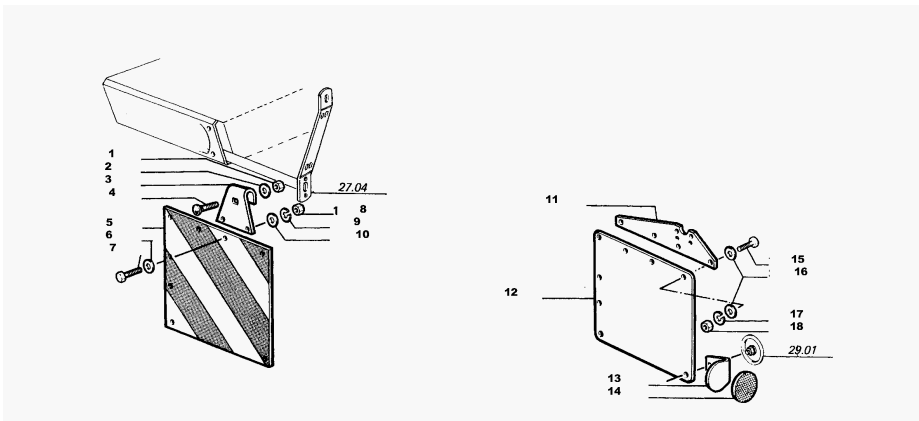
17040332000

VARIATIONS

100
-
028.4/1
 100028.4 /1

GERMANY VERSION

MTB "M" M 305 (563100051_563100066)



- 1 12574211
- 2 355510620 ● 003555106150 (1)
- 3 321995150
- 4 13178601
- 5 321998950
- 6 355510615
- 7 10902224
- 8 15896211
- 9 12035671
- 10 355510615
- 11 322397050
- 12 321998950
- 13 322508850
- 14 322508750
- 15 10902224
- 16 355510615
- 17 12035671
- 18 15896211
- 1 NUT
- 1 WASHER
- 1 SUPPORT
- 1 SCREW
- 1 PANEL
- 1 WASHER
- 1 SCREW
- 1 NUT
- 1 LOCK WASHE
- 1 WASHER
- 1 SUPPORT
- 1 PANEL
- 1 SUPPORT
- 1 REFLECTOR
- 1 SCREW
- 1 WASHER
- 1 LOCK WASHE
- 1 NUT

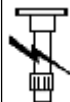
M 305 - M 306	Equipment Allemagne Ausrustung fuer Deutschland	ALLESTIMENTO GERMANIA	Germany version Alistamento Alemania	028.4
				1/1 30020172005

VARIATIONS

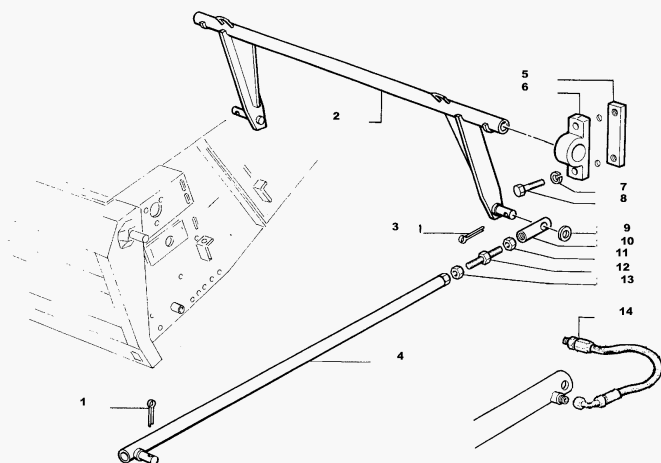
100
- 497/1

FRONT ELEVATOR SUPPORT KIT

MTB "M" M 305 (563100051_563100066)



100497/1



- | | | | |
|----|-----------|---|------------|
| 1 | 10735001 | 1 | LINCH PIN |
| 2 | 322026950 | 1 | COUNTER WE |
| 3 | 10735001 | 1 | LINCH PIN |
| 4 | 322027150 | 1 | STRUT |
| 5 | 320742450 | 1 | PLATE |
| 6 | 320741950 | 1 | SUPPORT |
| 7 | 12035571 | 1 | LOCK WASHE |
| 8 | 15235021 | 1 | SCREW |
| 9 | 355536430 | 1 | WASHER |
| 10 | 320742750 | 1 | STRUT ELEM |
| 11 | 10726911 | 1 | NUT |
| 12 | 320742550 | 1 | PIN |
| 13 | 321054650 | 1 | NUT |
| 14 | 321980550 | 1 | HOSE |

M 305 - M 306

IRRIGIDIMENTO ELEVATORE ANTERIORE

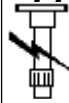
Raidisseur pour élévateur avant
Vorderelevator verstaerkung

Front elevator support kit
Refuerzo por elevador anterior

497

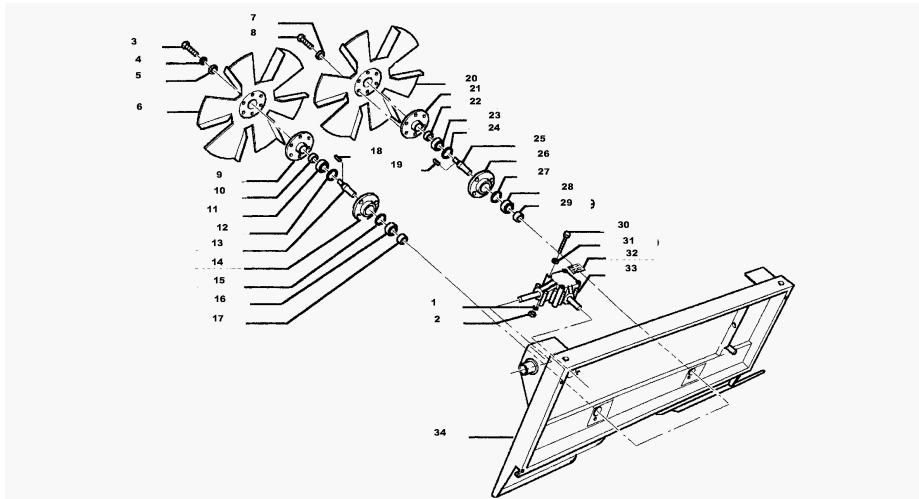
1/1 19160552002

VARIATIONS

100
-
776.3/1
 **100776.3**
/1

CHAFF SPREADER - BODY

MTB "M" M 305 (563100051_563100066)



- | | | | | |
|----|-----------|--------------------|---|------------|
| 1 | 355501120 | | 1 | WASHER |
| 2 | 11701721 | | 1 | NUT |
| 3 | 80043140 | ● 000111064210 (1) | 1 | SCREW |
| 4 | 12034671 | | 1 | LOCK WASHE |
| 5 | 84056152 | | 1 | BUSH |
| 6 | 84056145 | | 1 | FAN |
| 7 | 16043224 | | 1 | SCREW |
| 8 | 12034571 | | 1 | LOCK WASHE |
| 9 | 84056121 | | 1 | FLANGE |
| 10 | 84056133 | | 1 | BUSH |
| 11 | 322638450 | | 1 | BEARING |
| 12 | 11060576 | | 1 | SPRING LOC |
| 13 | 84056123 | | 1 | PIN |
| 14 | 84056122 | | 1 | FLANGE |
| 15 | 11060576 | | 1 | SPRING LOC |
| 16 | 322638450 | | 1 | BEARING |
| 17 | 84056129 | | 1 | BUSH |
| 18 | 84056144 | | 1 | KEY |
| 19 | 84056144 | | 1 | KEY |
| 20 | 84056146 | | 1 | FAN |
| 21 | 84056121 | | 1 | FLANGE |
| 22 | 84056133 | | 1 | BUSH |
| 23 | 322638450 | | 1 | BEARING |
| 24 | 11060576 | | 1 | SPRING LOC |
| 25 | 84056123 | | 1 | PIN |
| 26 | 84056122 | | 1 | FLANGE |
| 27 | 11060576 | | 1 | SPRING LOC |
| 28 | 322638450 | | 1 | BEARING |
| 29 | 84056129 | | 1 | BUSH |
| 30 | 8012007 | | 1 | SCREW |
| 31 | 355501120 | | 1 | WASHER |
| 32 | 80266580 | | 1 | DECAL |
| 33 | 84056139 | | 1 | PITMAN |

M 305 - M 306

Epandeur de balle - Chassis
Spreuverteiler - Rhamen

SPARGIPULA - CASSA

Chaff spreader - Body
Espaciador de tamo - Bastidor

776.3

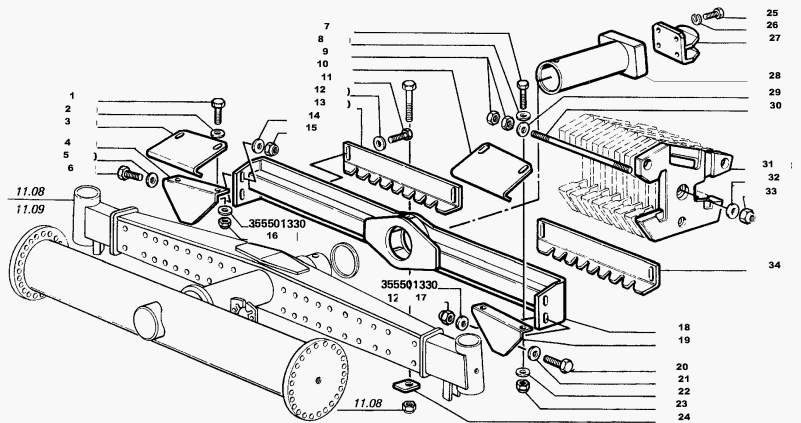
1/1 7117765510

VARIATIONS

**100
- 878/1**

BALLST WEIGHT ON REAR AXLE

MTB "M" M 305 (563100051_563100066)



ZAVORRA SU ASSALE POSTERIORE

878

M 305 - M 306

Masses sur l'essieu arrière
Ballstgewichte am hinterachse

Ballst weight on rear axle
Lastres sobre eje posterior


1/1 11300172002

- | | | | |
|----|-----------|--------------------|--------------|
| 1 | 11112821 | 1 | SCREW |
| 2 | 355501330 | 1 | WASHER |
| 3 | 322299650 | 1 | STIRRUP |
| 4 | 322300050 | 1 | STIRRUP |
| 5 | 355501530 | 1 | WASHER |
| 6 | 11116221 | 1 | SCREW |
| 7 | 11112821 | 1 | SCREW |
| 8 | 355501330 | 1 | WASHER |
| 9 | 10791411 | 1 | NUT |
| 10 | 322299750 | 1 | STIRRUP |
| 11 | 11113221 | 1 | SCREW |
| 12 | 355530840 | 1 | WASHER |
| 13 | 322299350 | 1 | PLATE RETA |
| 14 | 355501530 | 1 | WASHER |
| 15 | 12577311 | 1 | NUT |
| 16 | 12577511 | 1 | NUT |
| 17 | 12577311 | 1 | NUT |
| 18 | 322298450 | 1 | FRAME |
| 19 | 322299950 | 1 | STIRRUP |
| 20 | 11116221 | 1 | SCREW |
| 21 | 355501530 | 1 | WASHER |
| 22 | 355501330 | 1 | WASHER |
| 23 | 12577511 | 1 | NUT |
| 24 | 322299850 | 1 | RETAINER |
| 25 | 11408321 | ● 000114083240 (1) | 1 SCREW |
| 26 | 12035571 | | 1 LOCK WASHE |
| 27 | 320841950 | | 1 TOW HOOK |
| 28 | 322798250 | ● 003233855500 (1) | 1 EXTENSION |
| 29 | 322299450 | | 1 WASHER |
| 30 | 322299550 | | 1 TIE ROD |
| 31 | 5163108 | ● N.A. (1) | 1 WIGHT |

VARIATIONS

MTB "M" M 305 (563100051_563100066)

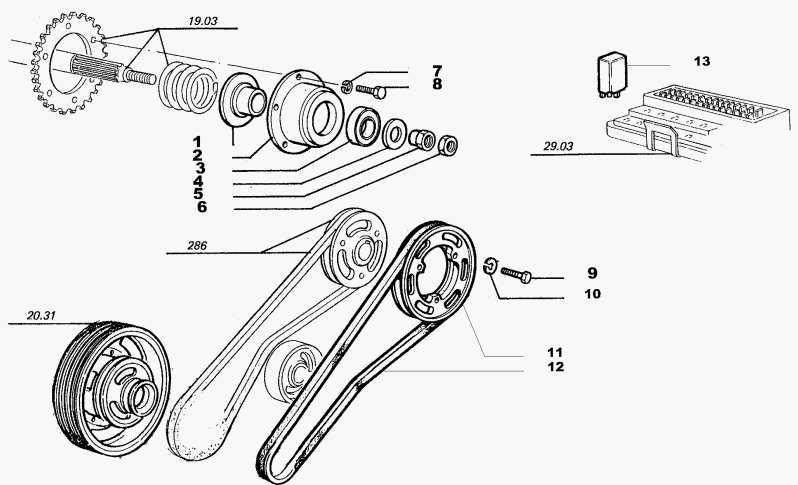
100
-
905.2/1



100905.2
/1

SPEED REDUCTION

- | | | | |
|----|-----------|---|------------|
| 1 | 322652250 | 1 | PLATE,THRU |
| 2 | 322652150 | 1 | SUPPORT |
| 3 | 28996540 | 1 | BEARING |
| 4 | 322652350 | 1 | WASHER |
| 5 | 322652450 | 1 | NUT |
| 6 | 10726711 | 1 | NUT |
| 7 | 12034671 | 1 | LOCK WASHE |
| 8 | 11106624 | 1 | SCREW |
| 9 | 16043824 | 1 | SCREW |
| 10 | 12034571 | 1 | LOCK WASHE |
| 11 | 322869450 | 1 | PULLEY |
| 12 | 340433476 | 1 | BELT |
| 13 | 322876900 | 1 | WARNING DE |



M 305 - M 306	Reduction de vitesse Reduzierrehzahl	RIDUZIONE GIRI M.C.S.	Speed reduction Reduccion vueltas	905.2
				1/1 20420316000

CLICK HERE TO **DOWNLOAD** THE COMPLETE MANUAL

- Thank you very much for reading the preview of the manual.
- You can download the complete manual from: www.heydownloads.com by clicking the link below



- Please note: If there is no response to CLICKING the link, please download this PDF first and then click on it.

CLICK HERE TO **DOWNLOAD** THE COMPLETE MANUAL