

Drive's platform

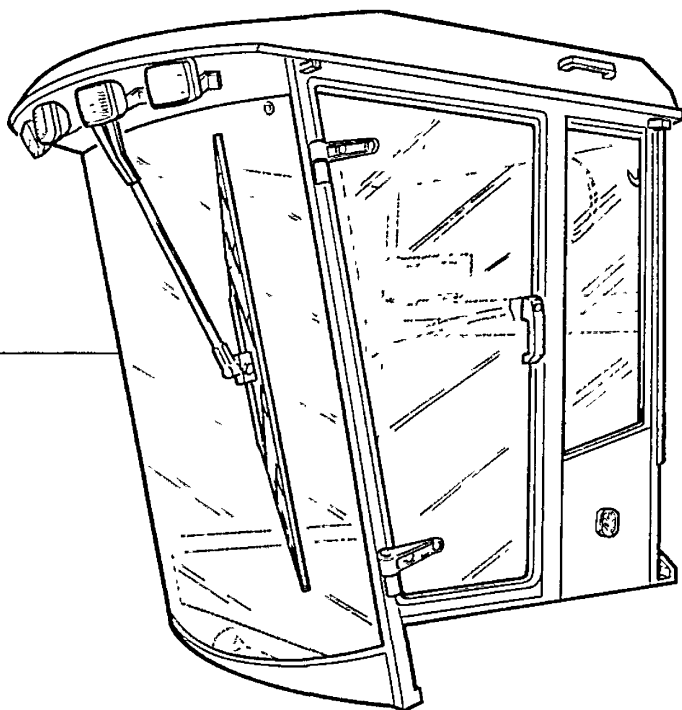
CAB - CLIMATIZED CAB

MTB "L" L 625



322277000 ● 003227707000 (1) 1 CAB

322277000



CLICK HERE TO **DOWNLOAD** THE COMPLETE MANUAL

- Thank you very much for reading the preview of the manual.
- You can download the complete manual from: www.heydownloads.com by clicking the link below



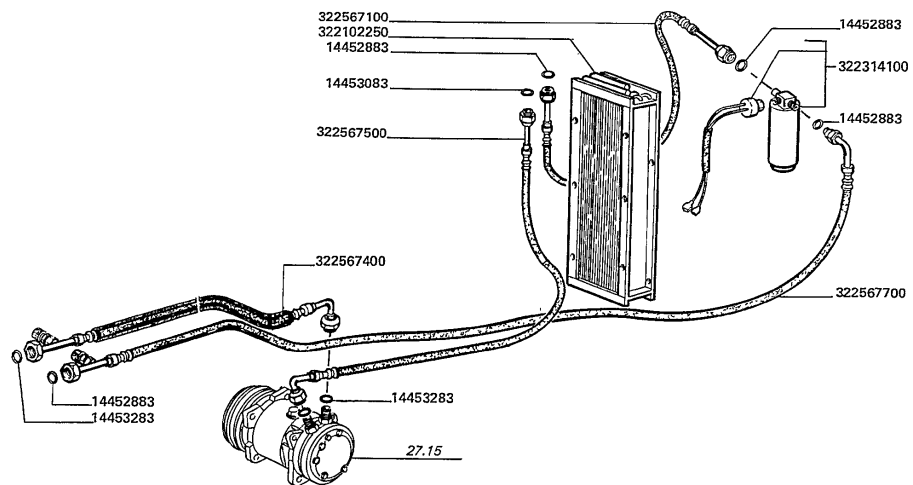
- Please note: If there is no response to CLICKING the link, please download this PDF first and then click on it.

CLICK HERE TO **DOWNLOAD** THE COMPLETE MANUAL

Drive's platform

CAB - AIR CONDITIONED (FREON "HFC 134 A")

MTB "L" L 625

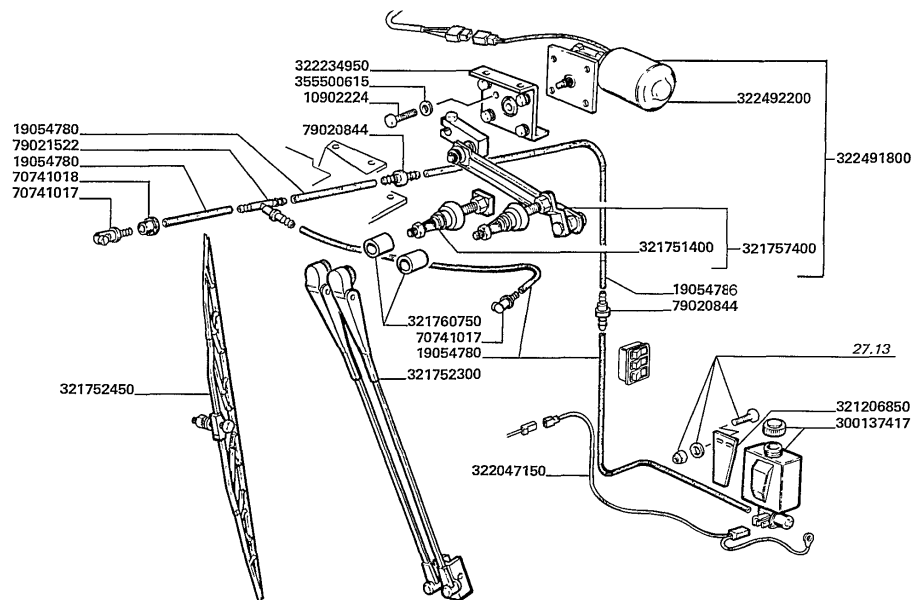


- | | |
|-----------|-------------|
| 14452883 | 6 O-RING |
| 14453083 | 1 O-RING |
| 14453283 | 5 O-RING |
| 322102250 | 1 CONDENSER |
| 322314100 | 1 FILTER |
| 322567100 | 1 HOSE |
| 322567400 | 1 HOSE |
| 322567500 | 1 HOSE |
| 322567700 | 1 HOSE |

Drive's platform

CAB - WINDSHIELD WIPER

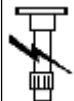
MTB "L" L 625



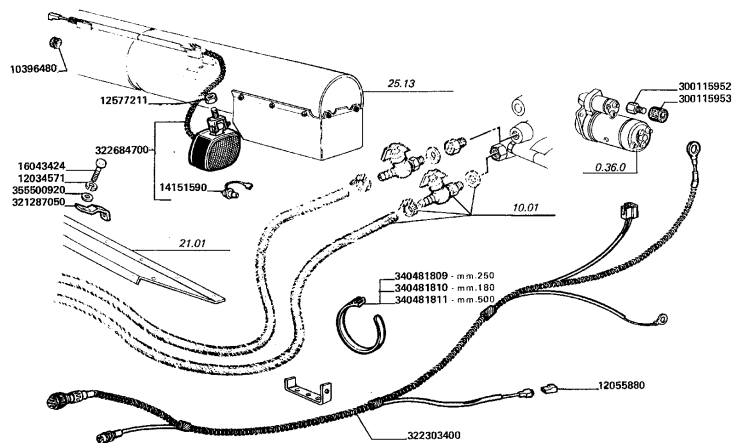
- | | |
|-----------|--------------|
| 10902224 | 4 SCREW |
| 19054786 | 0 HOSE |
| 300137417 | 1 PAN |
| 321206850 | 1 SUPPORT |
| 321751400 | 1 PIN |
| 321752300 | 1 ARM |
| 321752450 | 1 BRUSH |
| 321757400 | 1 CONROD |
| 321760750 | 2 SPACER |
| 322047150 | 1 CABLE |
| 322234950 | 1 PLATE |
| 322491800 | 1 GRILLE |
| 322492200 | 1 ELECTRIC M |
| 355500615 | 4 WASHER |
| 70741017 | 2 SPLASHER |
| 70741018 | 2 BUSH |
| 79020844 | 2 VALVE |
| 79021522 | 1 UNION |

Drive's platform

MTB "L" L 625



CAB INSTALLATION

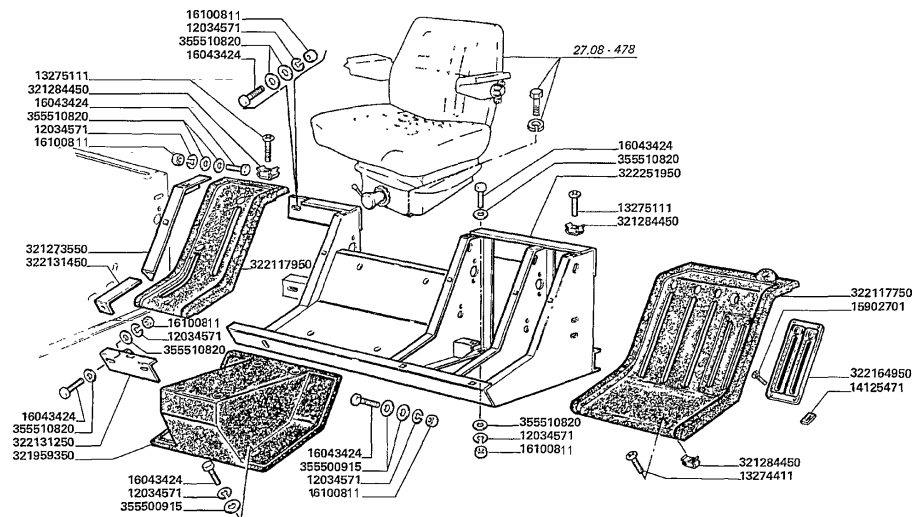


- | | |
|-----------|---------------|
| 10396480 | 1 RING |
| 12034571 | 22 LOCK WASHE |
| 12055880 | 1 BLOCK |
| 12577211 | 1 NUT |
| 13274911 | 6 SCREW |
| 14151590 | 1 LAMPADA |
| 16043424 | 10 SCREW |
| 16100824 | 4 NUT |
| 300115952 | 1 UNION |
| 300115953 | 1 SHIELD |
| 313643801 | 1 LIGHT |
| 321285650 | 1 BRACKET PL |
| 321287050 | 1 BRACKET, S |
| 321934100 | 1 WIRE/CABLE |
| 322017550 | 4 WASHER |
| 322303400 | 1 WIRE/CABLE |
| 322684700 | 1 LIGHT |
| 340481703 | 1 GROMMET |
| 340481809 | 15 CLAMP |
| 340481810 | 10 CLAMP |
| 340481811 | 3 CLAMP |
| 355500920 | 3 WASHER |

Drive's platform

DRIVE'S PLATFORM

MTB "L" L 625

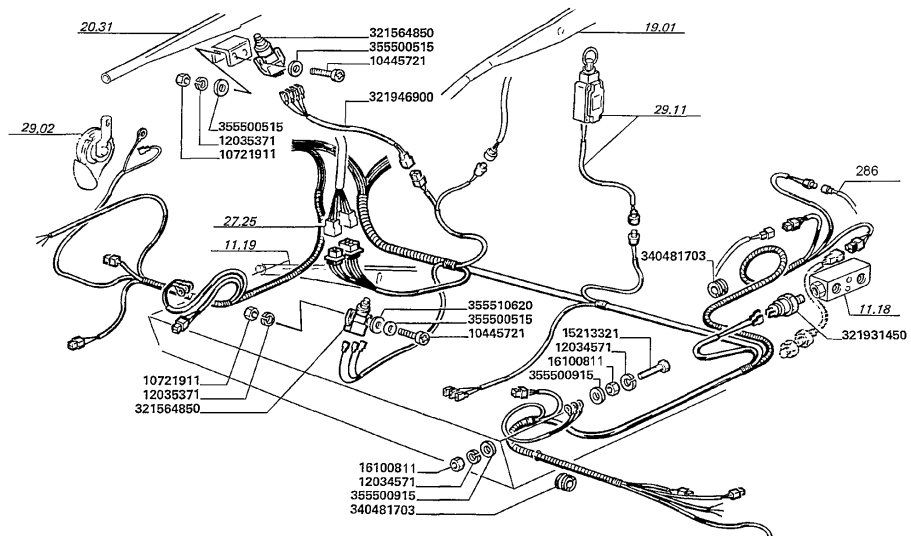


- | | |
|-----------|---------------|
| 12034571 | 26 LOCK WASHE |
| 13274411 | 3 SCREW |
| 13275111 | 8 SCREW |
| 14125471 | 4 PLATE |
| 15902701 | 4 SCREW |
| 16043424 | 26 SCREW |
| 16100811 | 21 NUT |
| 321273550 | 1 SUPPORT |
| 321284450 | 11 NUT |
| 321959350 | 1 SUPPORT |
| 322117750 | 1 COVER |
| 322117950 | 1 COVER |
| 322131250 | 1 PROFILE |
| 322131450 | 1 SUPPORT |
| 322164950 | 1 PLAQUE, DA |
| 322251950 | 1 SUPPORT |
| 35550915 | 6 WASHER |
| 355510820 | 38 WASHER |

Eletric system

CONTROL CIRCUITS

MTB "L" L 625



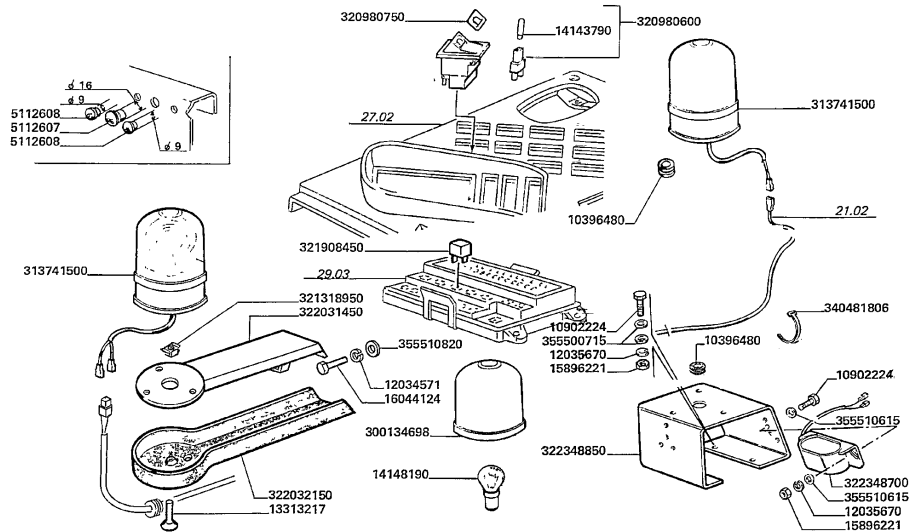
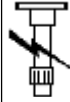
- | | |
|-----------|---------------|
| 10445721 | 4 SCREW |
| 10721911 | 4 NUT |
| 12034571 | 15 LOCK WASHE |
| 12035371 | 4 LOCK WASHE |
| 15213321 | 3 SCREW |
| 16100811 | 9 NUT |
| 321564850 | 1 SWITCH |
| 321931450 | 1 PRESSURE S |
| 321946900 | 1 WIRE/CABLE |
| 340481703 | 4 GROMMET |
| 355500515 | 7 WASHER |
| 355500915 | 4 WASHER |
| 355510620 | 8 WASHER |

● 003555106150 (8)

Eletric system

BEACON LIGHT WITH CAB

MTB "L" L 625



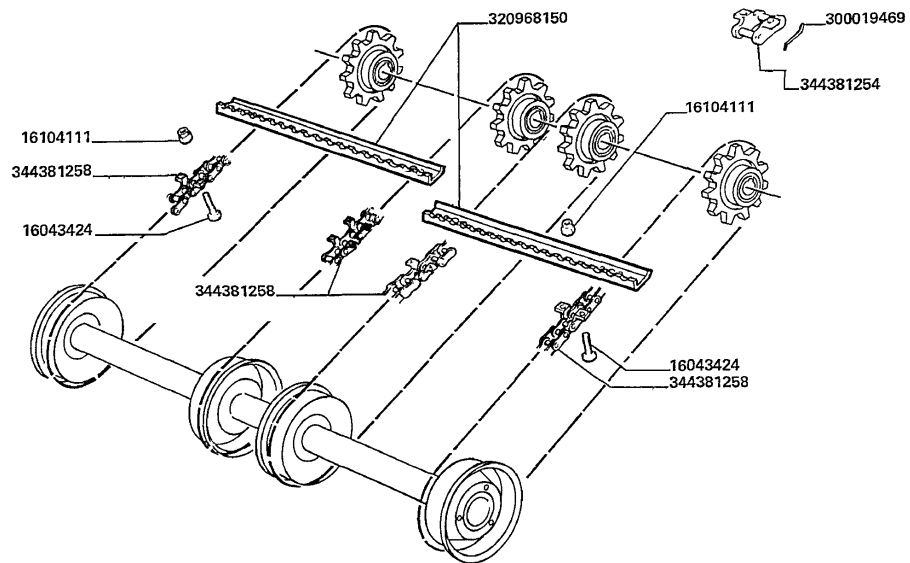
- | | | | |
|-----------|--------------------|----|------------|
| 10396480 | | 2 | RING |
| 10902224 | | 5 | SCREW |
| 12034571 | | 2 | LOCK WASHE |
| 12035670 | ● 000120356710 (5) | 5 | LOCK WASHE |
| 13313217 | | 2 | SCREW |
| 14143790 | | 1 | LAMPADA |
| 14148190 | | 2 | LAMPADA |
| 15896221 | | 5 | NUT |
| 16044124 | | 2 | SCREW |
| 300134698 | | 2 | COVER |
| 313741500 | | 2 | LIGHT |
| 320980600 | | 1 | BUTTON |
| 320980750 | | 1 | PLATE |
| 321318950 | | 2 | NUT |
| 321908450 | | 1 | SWITCH, RE |
| 322031450 | | 1 | BRACKET PL |
| 322032150 | | 1 | PANEL |
| 322348700 | ● 003227641000 (1) | 1 | BUZZER |
| 322348850 | ● 003227654500 (1) | 1 | SUPPORT |
| 340481806 | | 16 | CLAMP |
| 355500715 | | 6 | WASHER |
| 355510615 | | 2 | WASHER |
| 355510820 | | 2 | WASHER |
| 5112607 | | 1 | PLUG |
| 5112608 | | 2 | PLUG |

Elevator

MTB "L" L 625



FRONT ELEVATOR (WITH FEEDER ROLLER) (



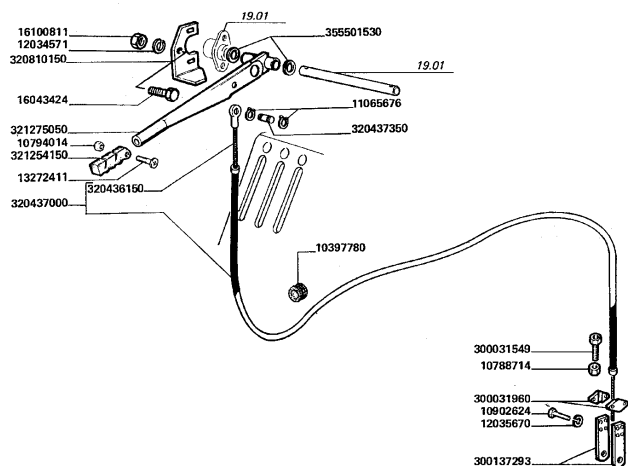
- | | | |
|-----------|---------------------|--------------|
| 16043424 | | 189 SCREW |
| 16104111 | | 191 NUT |
| 300019469 | | 1 RETAINER |
| 320968150 | ● 003227677500 (44) | 44 BAR |
| 344381254 | | 1 CONNECTING |
| 344381258 | ● 003443812600 (4) | 4 CHAIN |

Elevator

MTB "L" L 625



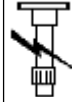
REVERSER



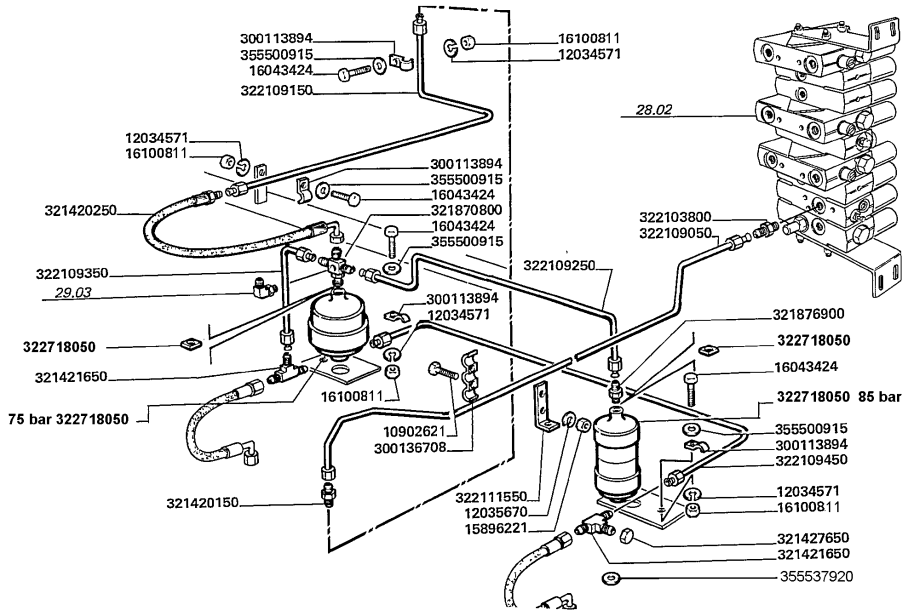
- | | | |
|-----------|--------------------|--------------|
| 10397780 | | 1 RING |
| 10788714 | | 1 NUT |
| 10794014 | ● 000107940110 (1) | 1 NUT |
| 10902624 | | 4 SCREW |
| 11065676 | | 2 SPRING LOC |
| 12034571 | | 1 LOCK WASHE |
| 12035670 | ● 000120356710 (4) | 4 LOCK WASHE |
| 13272411 | | 1 SCREW |
| 16043424 | | 1 SCREW |
| 16100811 | | 1 NUT |
| 300031549 | | 1 SCREW |
| 300031960 | | 4 ELEMENT |
| 300137293 | | 2 PLATE |
| 320436150 | | 1 TIE ROD |
| 320437000 | | 1 CABLE |
| 320437350 | | 1 PIN |
| 320810150 | | 1 RETAINER |
| 321254150 | ● 003234115500 (1) | 1 HANDLE GRI |
| 321275050 | | 1 LEVER |
| 355501530 | | 2 WASHER |

Elevator

MTB "L" L 625



CUTTER BAR LIFTING (WITHOUT FLOATATION)

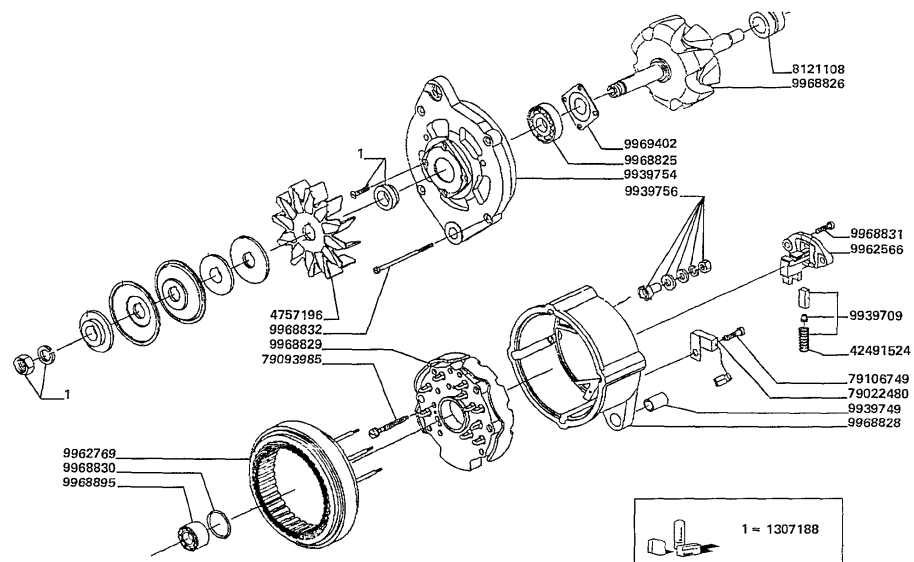


- 10902621 1 SCREW
- 12034571 7 LOCK WASHE
- 15896211 3 NUT
- 16043424 7 SCREW
- 16100811 6 NUT
- 300113894 4 BRIDLE
- 321420150 1 UNION
- 321420250 1 HOSE
- 321421650 2 UNION
- 321427650 1 PLUG
- 321870800 ● 003221104000 (1) 1 UNION
- 321876900 1 UNION
- 322103800 1 UNION
- 322109050 1 PIPE
- 322109150 1 PIPE
- 322109250 ● 003214202500 (1) 1 PIPE
- 322109350 1 PIPE
- 322109450 1 PIPE
- 322111550 1 BRACKET, S
- 322718050 2 VALVE
- 322718750 1 HYDRAULIC
- 322718850 2 HYDRAULIC
- 355500915 4 WASHER
- 355537920 1 WASHER

Engine

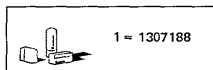
ALTERNATOR 99448466 (BOSCH)

MTB "L" L 625



- 1307188
 - 42491524
 - 4757196
 - 79022480
 - 79093985
 - 79106749
 - 8121108
 - 9939709
 - 9939749
 - 9939754
 - 9939756
 - 9962566
 - 9962769
 - 9968825
 - 9968826
 - 9968828
 - 9968829
 - 9968830
 - 9968831
 - 9968832
 - 9968895
 - 9969402
- 1 KIT, MISC
 - 1 SPRING
 - 1 FAN
 - 1 CONDENSER
 - 7 SCREW
 - 1 SCREW
 - 1 RING
 - 1 KIT, MISC
 - 1 BUSH
 - 1 SUPPORT
 - 1 KIT, MISC
 - 1 REGULATOR,
 - 1 STATOR ALT
 - 1 BEARING
 - 1 ROTOR
 - 1 SUPPORT
 - 1 KIT, MISC
 - 1 RING
 - 2 SCREW
 - 4 SCREW
 - 1 BEARING
 - 1 PLATE

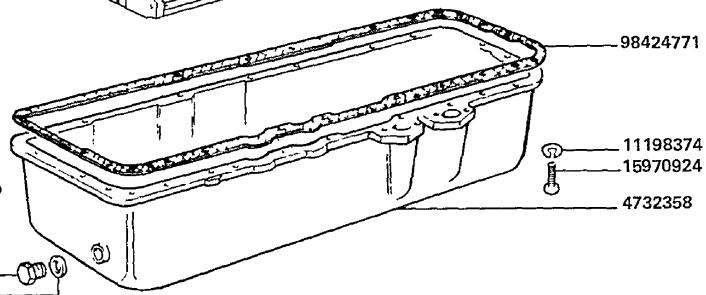
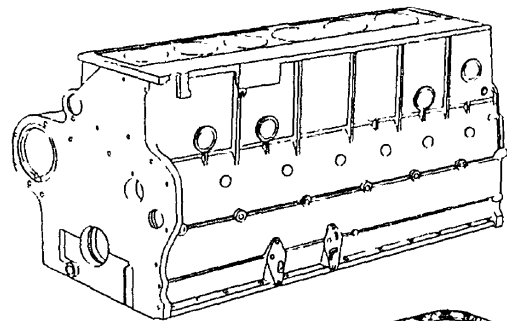
● 000994484660 (1)



Engine

OIL SUMP

MTB "L" L 625



11198374
11234724

38822532
10263460

98424771

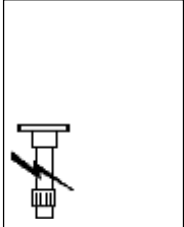
11198374
15970924
4732358

10263460
11198374
11234724
16204524
38822532
4732358
98424771

3 GASKET
30 LOCK WASHE
3 SCREW
27 SCREW
3 PLUG
1 OIL CUP
1 GASKET

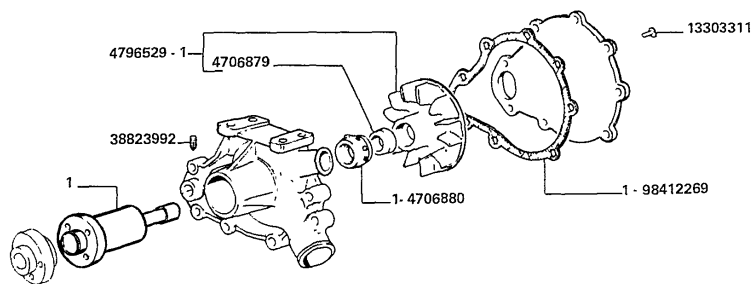
Engine

MTB "L" L 625



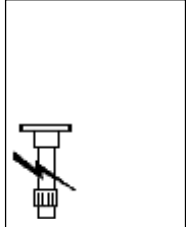
WATER PUMP 4796537

- | | | | | |
|----------|---|------------------|---|------------|
| 13303311 | ● | 000103561150 (3) | 3 | SCREW |
| 1940119 | | | 1 | KIT REPAIR |
| 38823992 | | | 1 | DOWEL |
| 4706879 | | | 1 | BUSH |
| 4706880 | | | 1 | GASKET |
| 4796529 | ● | N.A. (1) | 1 | IMPELLER |
| 98412269 | | | 1 | GASKET |



1940119 = 1
(Sgr. Int. 0.32.0)

Engine



MTB "L" L 625

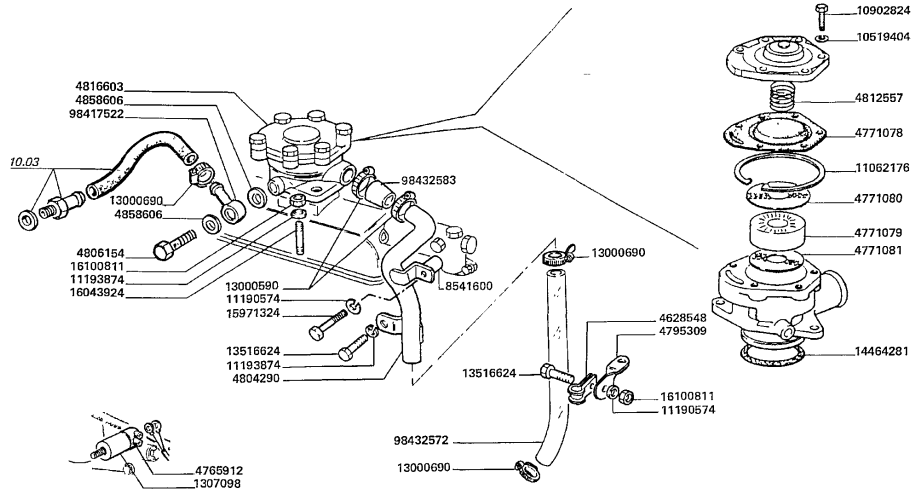
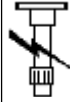
INJECTION PUMP

10571574		23 LOCK WASHE
11500211		3 STUD
1308047		1 KIT, MISC
15896211		3 NUT
15896421	● 000158964110 (12)	12 NUT
76026107		6 LOCK WASHE
76026110		4 SCREW
76026113		1 FLANGE
76026114		1 COVER
76026115		1 GASKET
76026116		1 GASKET
76026117		1 LOCK WASHE
76026118		1 NUT
76031621		1 BODY
76031625		12 PIN
764332	● 000112709600 (1)	1 REPLACE
768349		1 PLATE
772286		1 SHIM
772287		1 SHIM
772288		1 SHIM
772334		6 PLUG
772336		2 BEARING
772353		1 PLUG
772354		2 BUSH
773325		12 LOCK WASHE
774244		1 FERRULE
79024188	● 000752041120 (1)	1 REPLACE
79038381		6 GASKET
79038452		1 SHAFT
79038453		1 O-RING
79038454		1 HALF BEARI

Engine

VENT AND AIRING

MTB "L" L 625

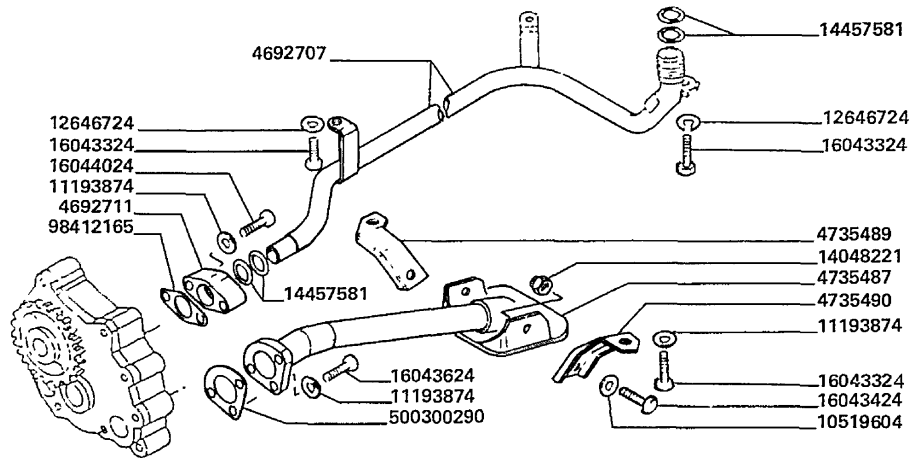
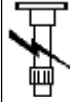


- | | |
|----------|--------------|
| 10519404 | 6 LOCK WASHE |
| 10902824 | 6 SCREW |
| 11062176 | 1 SPRING LOC |
| 11190574 | 2 LOCK WASHE |
| 11193874 | 3 LOCK WASHE |
| 13000590 | 2 CONNECTOR |
| 13000690 | 2 COLLAR |
| 1307098 | 1 TOOL |
| 13516624 | 2 STUD |
| 14464281 | 1 O-RING |
| 15971321 | 1 SCREW |
| 16043924 | 2 SCREW |
| 16100811 | 3 NUT |
| 4628548 | 1 COLLAR |
| 4765912 | 1 PROTECTION |
| 4771078 | 1 MEMBRANE |
| 4771079 | 1 ELEMENT,FI |
| 4771080 | 1 PRIMER PAI |
| 4771081 | 1 PRIMER PAI |
| 4795309 | 1 STIRRUP |
| 4804290 | 1 STANDPIPE |
| 4806154 | 2 BOLT, BANJ |
| 4812557 | 1 SPRING |
| 4816603 | 1 BREATHER |
| 4858606 | 4 WASHER |
| 8541600 | 1 SPACER |
| 98417522 | 1 UNION |
| 98432583 | 1 SLEEVE |

Engine

OIL LINES

MTB "L" L 625

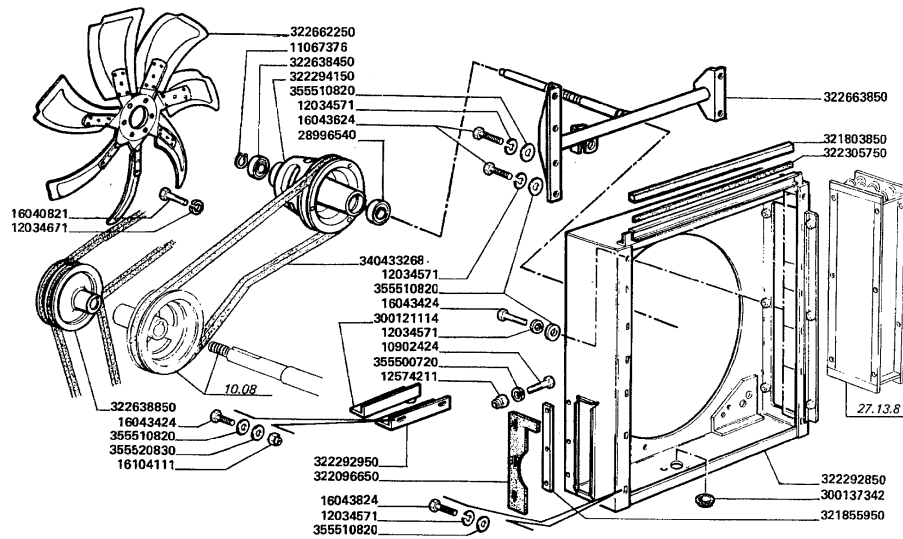
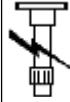


- | | |
|-----------|---------------|
| 10519604 | 2 LOCK WASHE |
| 11193874 | 13 LOCK WASHE |
| 12646724 | 2 LOCK WASHE |
| 14048221 | 2 NUT |
| 14457581 | 4 O-RING |
| 16043224 | 2 SCREW |
| 16043324 | 3 SCREW |
| 16043424 | 2 SCREW |
| 16043624 | 3 SCREW |
| 16044024 | 2 SCREW |
| 4692707 | 1 STANDPIPE |
| 4692711 | 1 UNION |
| 4735487 | 1 STANDPIPE |
| 4735489 | 1 STIRRUP |
| 4735490 | 1 STIRRUP |
| 500300290 | 1 GASKET |
| 98412165 | 1 GASKET |

ENGINE INSTALLATION

RADIATOR FILTER

MTB "L" L 625



- | | | |
|-----------|----|------------|
| 10902424 | 3 | SCREW |
| 11067376 | 1 | SPRING LOC |
| 12034571 | 18 | LOCK WASHE |
| 12034671 | 6 | LOCK WASHE |
| 12574211 | 3 | NUT |
| 16040821 | 6 | SCREW |
| 16043424 | 9 | SCREW |
| 16043624 | 11 | SCREW |
| 16104111 | 2 | NUT |
| 28996540 | 1 | BEARING |
| 300121114 | 1 | SKATE |
| 300137342 | 1 | PLUG |
| 321803850 | 1 | GASKET |
| 321855950 | 1 | STRAP |
| 322096650 | 1 | GASKET |
| 322292850 | 1 | CONVOY FIL |
| 322292950 | 1 | SUPPORT |
| 322294150 | 1 | PULLEY |
| 322305750 | 1 | GASKET |
| 322638450 | 1 | BEARING |
| 322638950 | 1 | PULLEY |
| 322662250 | 1 | FAN |
| 322663850 | 1 | BEAM |
| 340433268 | 1 | BELT |
| 355500720 | 3 | WASHER |
| 355510820 | 28 | WASHER |
| 355520830 | 2 | WASHER |

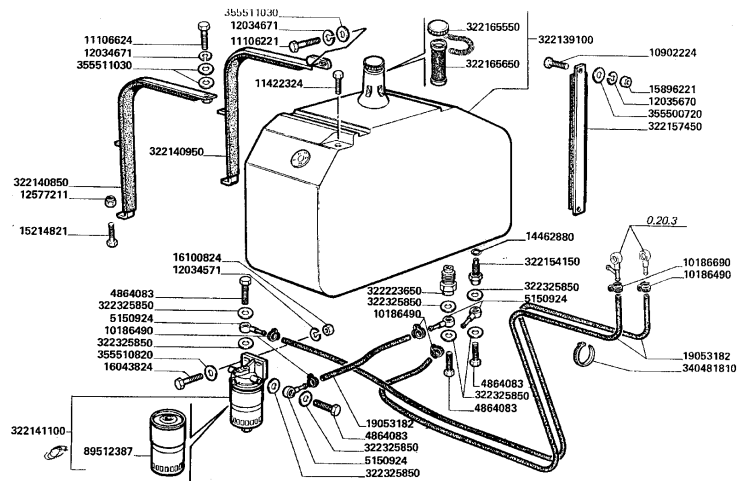
● 003555007150 (3)

ENGINE INSTALLATION

MTB "L" L 625



FUEL TANK

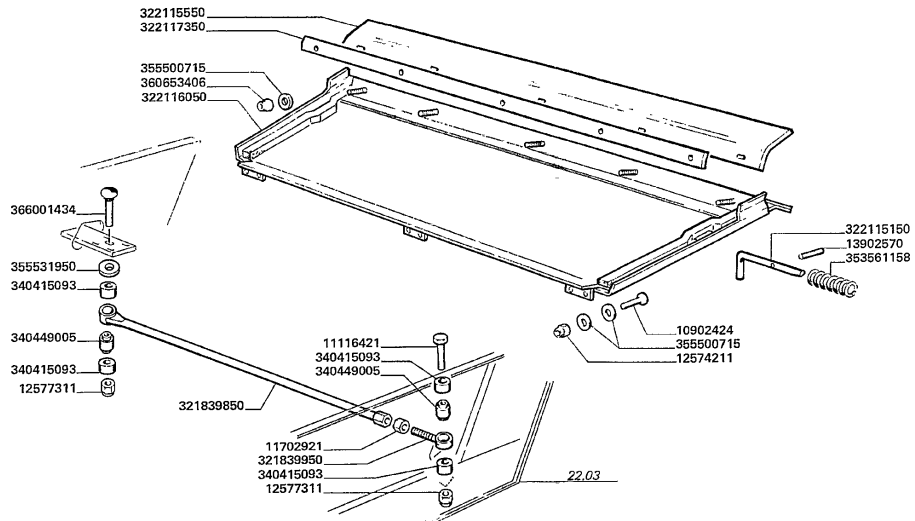
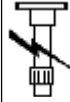


- | | | |
|-----------|--------------------|--------------|
| 322325850 | | 6 WASHER |
| 340481810 | | 2 CLAMP |
| 355500720 | ● 003555007150 (2) | 2 WASHER |
| 355510820 | | 2 WASHER |
| 355511030 | | 6 WASHER |
| 4864083 | | 3 BOLT, BANJ |
| 5150924 | | 3 UNION |

Guard

LOWER SHAKER SHOE

MTB "L" L 625

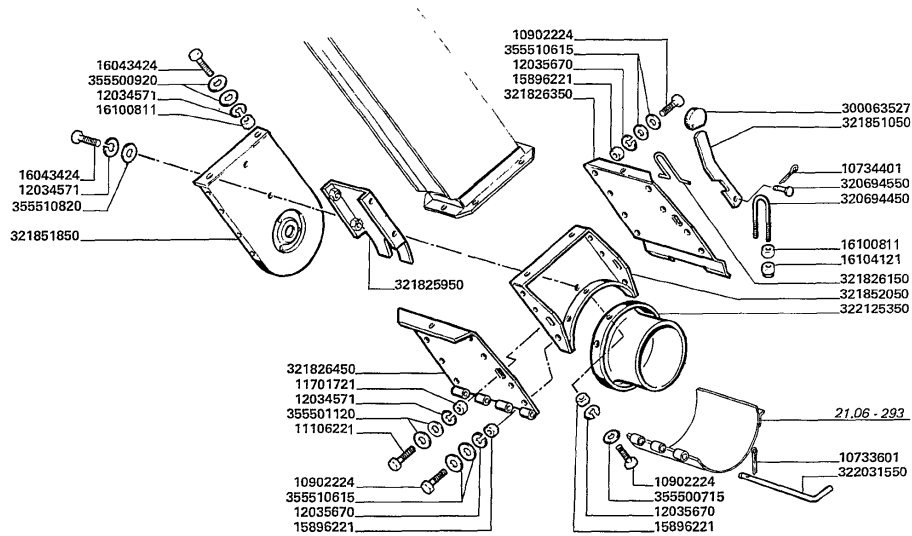
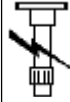


- | | |
|-----------|--------------|
| 10902424 | 6 SCREW |
| 11116421 | 1 SCREW |
| 11702921 | 1 NUT |
| 12574211 | 10 NUT |
| 12577311 | 2 NUT |
| 13902570 | 2 DOWEL |
| 321839850 | 1 ARM |
| 321839950 | 1 HEAD |
| 322115150 | 2 LATCH |
| 322115550 | 1 GASKET |
| 322116050 | 1 LID |
| 322117350 | 1 STRAP |
| 340415093 | 4 SPACER |
| 340449005 | 2 SILENTBLOC |
| 353561158 | 2 SPRING |
| 355500715 | 20 WASHER |
| 355531950 | 1 WASHER |
| 360653406 | 6 NUT |
| 366001434 | 1 SCREW |

Guard

GRAIN ELEVATOR (ANTHWEAR)

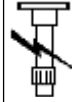
MTB "L" L 625



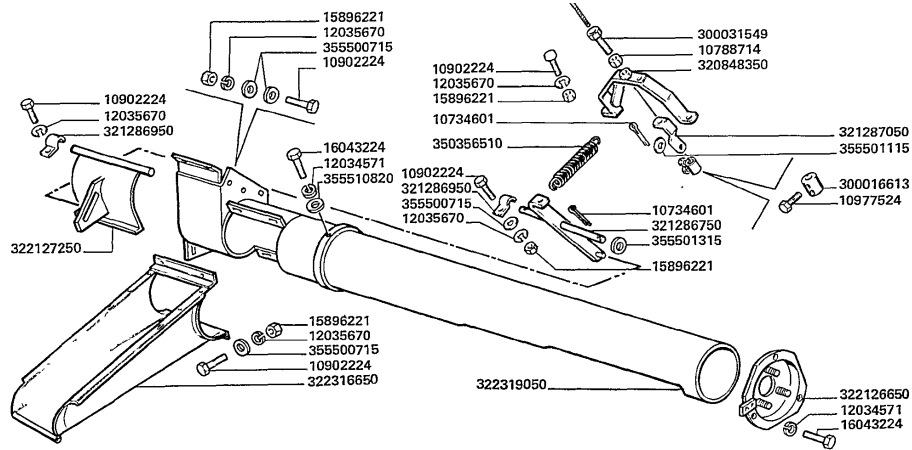
- | | | |
|-----------|---------------------|---------------|
| 10733601 | | 1 LINCH PIN |
| 10734401 | | 1 LINCH PIN |
| 10902224 | | 21 SCREW |
| 11106221 | | 2 SCREW |
| 11701711 | | 2 NUT |
| 12034571 | | 99 LOCK WASHE |
| 12035670 | ● 000120356710 (53) | 53 LOCK WASHE |
| 15896221 | | 53 NUT |
| 16043424 | | 1 SCREW |
| 16100811 | | 29 NUT |
| 16104121 | | 2 NUT |
| 300063527 | ● 003234156505 (1) | 1 KNOB |
| 320694450 | | 1 BRIDLE |
| 320694550 | | 1 PIN |
| 321825950 | | 1 DIVIDER |
| 321826150 | | 1 BRIDLE |
| 321826350 | | 1 WALL |
| 321826450 | | 1 WALL |
| 321851050 | ● 003234156505 (1) | 1 LEVER |
| 321851850 | | 1 WALL |
| 321852050 | | 1 WALL |
| 322031550 | | 1 DOWEL |
| 322125350 | | 1 UNION |
| 355500920 | | 8 WASHER |
| 355501120 | | 4 WASHER |
| 355510615 | | 32 WASHER |
| 355510820 | | 6 WASHER |

Guard

MTB "L" L 625



TAILINGS ELEVATOR (ANTHWERA)

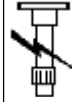


- 10734601
 - 10788714
 - 10902224
 - 10977524
 - 12034571
 - 12035670
 - 15896221
 - 16043224
 - 300016613
 - 300031549
 - 320848350
 - 321286750
 - 321286950
 - 321287050
 - 322126650
 - 322127250
 - 322316650
 - 322319050
 - 350356510
 - 355500715
 - 355501115
 - 355501315
 - 355510820
 - 300016613
 - 321287050
 - 355501115
 - 10977524
 - 322126650
 - 12034571
 - 16043224
- 3 LINCH PIN
 - 1 NUT
 - 40 SCREW
 - 2 SCREW
 - 97 LOCK WASHE
 - 84 LOCK WASHE
 - 80 NUT
 - 4 SCREW
 - 1 CONNECTOR
 - 1 SCREW
 - 1 STIRRUP
 - 1 COUNTER WE
 - 4 BRIDLE
 - 1 BRACKET, S
 - 1 SUPPORT
 - 1 LID
 - 1 TROUGH
 - 1 PLATE
 - 1 SPRING
 - 117 WASHER
 - 1 WASHER
 - 2 WASHER
 - 11 WASHER

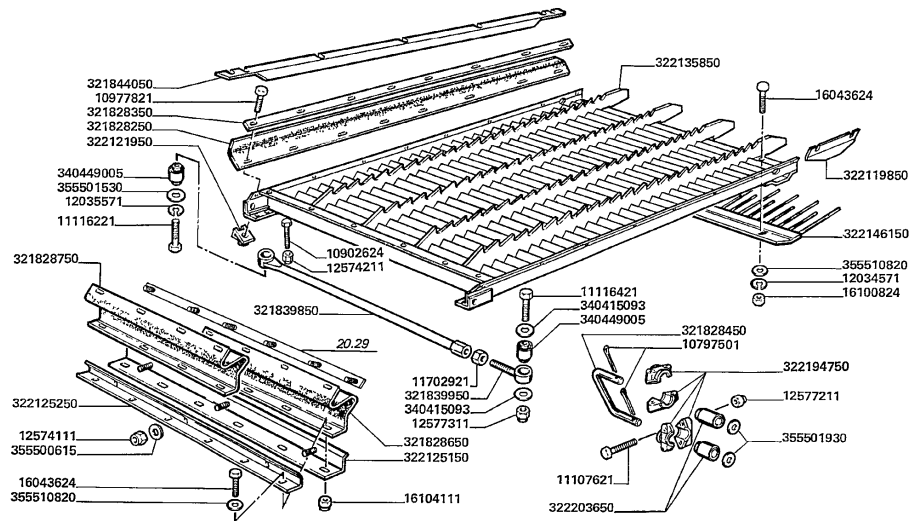
● 000120356710 (84)

Guard

MTB "L" L 625



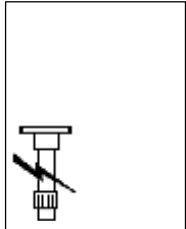
GRAIN PAN



- | | | |
|-----------|--------------------|--------------|
| 10797501 | ● 000107350010 (4) | 4 LINCH PIN |
| 10902621 | | 2 SCREW |
| 10977821 | | 16 SCREW |
| 11107621 | | 8 SCREW |
| 11116221 | | 1 SCREW |
| 11116421 | | 1 SCREW |
| 11702921 | | 1 NUT |
| 12034571 | | 8 LOCK WASHE |
| 12035571 | | 1 LOCK WASHE |
| 12574111 | | 3 NUT |
| 12574211 | | 2 NUT |
| 12577211 | | 8 NUT |
| 12577311 | | 1 NUT |
| 16043624 | | 15 SCREW |
| 16100824 | | 8 NUT |
| 16104111 | | 7 NUT |
| 321828250 | | 2 CONVEYOR |
| 321828350 | | 2 STRAP |
| 321828450 | | 2 CONROD |
| 321828650 | ● BAT0112004 (1) | 1 GASKET |
| 321828750 | ● 003231202000 (1) | 1 GASKET |
| 321839850 | | 1 ARM |
| 321839950 | | 1 HEAD |
| 321844050 | | 2 PLATE |
| 322119850 | | 2 PANEL |
| 322125150 | | 1 PLATE |
| 322125250 | | 1 PROFILE |
| 322135850 | ● 003233659505 (1) | 1 GRAIN PAN |
| 322146150 | | 2 RAKE |
| 322194750 | | 8 SUPPORT |

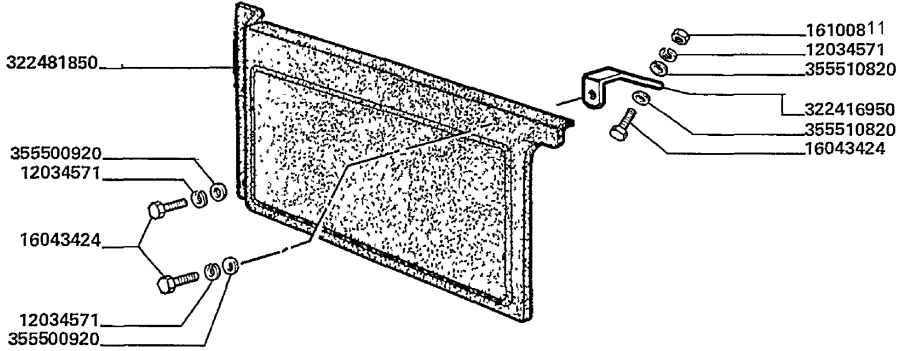
Guard

MTB "L" L 625



R.H. FRONT SIDE WALL GUARD

- 12034571
- 16043424
- 16100811
- 322416950
- 322481850
- 355500920
- 355510820
- 20 LOCK WASHE
- 13 SCREW
- 12 NUT
- 1 SUPPORT
- 1 LID
- 3 WASHER
- 29 WASHER



CLICK HERE TO **DOWNLOAD** THE COMPLETE MANUAL

- Thank you very much for reading the preview of the manual.
- You can download the complete manual from: www.heydownloads.com by clicking the link below

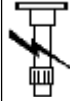


- Please note: If there is no response to CLICKING the link, please download this PDF first and then click on it.

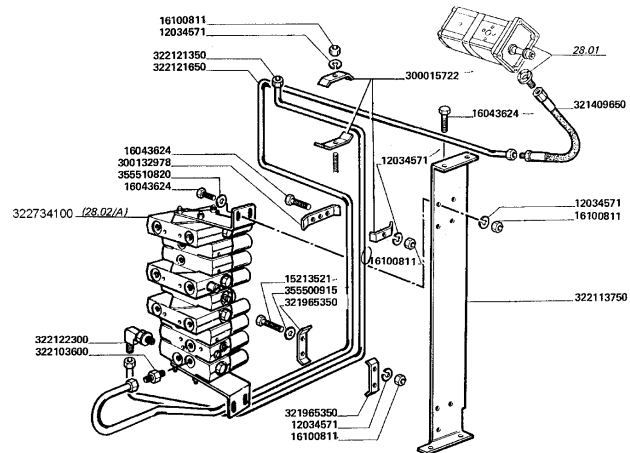
CLICK HERE TO **DOWNLOAD** THE COMPLETE MANUAL

Hydraulic system

MTB "L" L 625



VALVE-CHEST



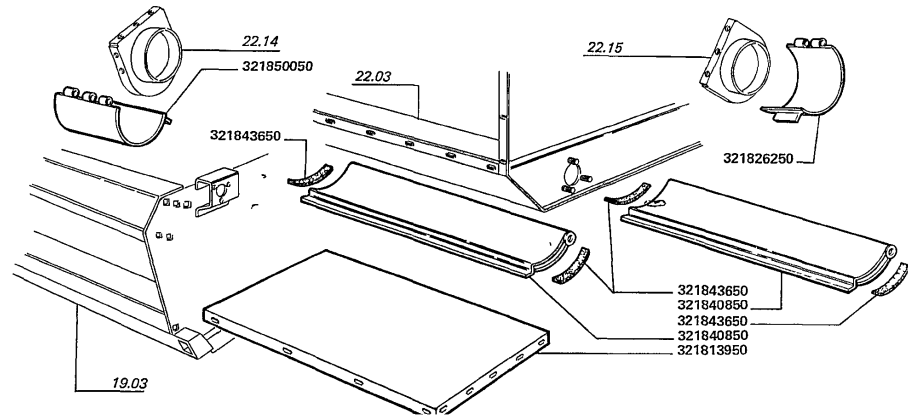
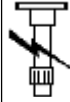
- 12034571
- 15213521
- 16043624
- 16100811
- 300015722
- 300132978
- 321409650
- 321965350
- 322103600
- 322113750
- 322121350
- 322121650
- 322122300
- 322734100
- 355500915
- 355510820

- 16 LOCK WASHE
- 4 SCREW
- 8 SCREW
- 0 NUT
- 4 BRIDLE
- 1 BRIDLE
- 1 HOSE
- 2 BRIDLE
- 1 UNION
- 1 STIRRUP
- 1 PIPE
- 1 PIPE
- 1 UNION
- 1 DISTRIBUTO
- 4 WASHER
- 8 WASHER

Straw walkers

PARTS FOR NORMALS SOILS

MTB "L" L 625



321813950
321826250
321840850
321843650
321850050

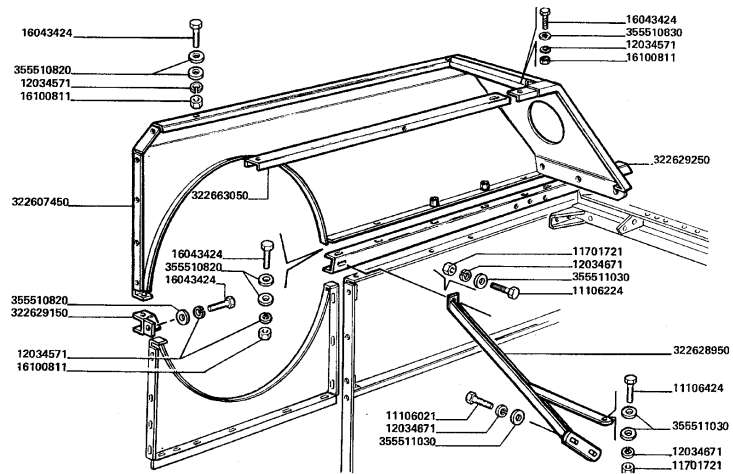
1 PLATE
1 LID
2 HATCH
4 GASKET
1 LID

Tank and fairings

MTB "L" L 625



BODY, R.H. FOR ENGINE

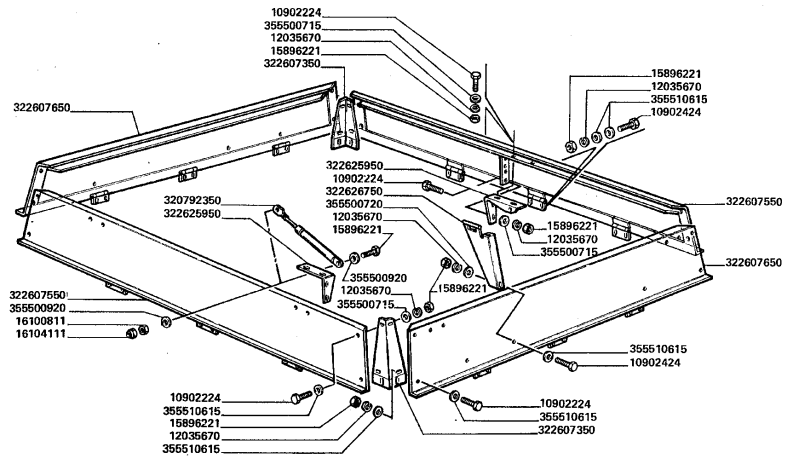
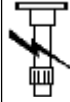


- | | |
|-----------|---------------|
| 11106021 | 2 SCREW |
| 11106221 | 2 SCREW |
| 11701721 | 3 NUT |
| 12034571 | 68 LOCK WASHE |
| 12034671 | 5 LOCK WASHE |
| 16043424 | 45 SCREW |
| 16100811 | 46 NUT |
| 322607450 | 1 COVER |
| 322628950 | 1 STRUT |
| 322629150 | 1 PROFILE |
| 322629250 | 1 PROFILE |
| 322663050 | 1 REINFORCEM |
| 355510820 | 104 WASHER |
| 355510830 | 1 WASHER |
| 355511030 | 6 WASHER |

Tank and fairings

RETRACTABLE GRAIN TANK EXTENSION

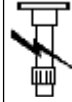
MTB "L" L 625



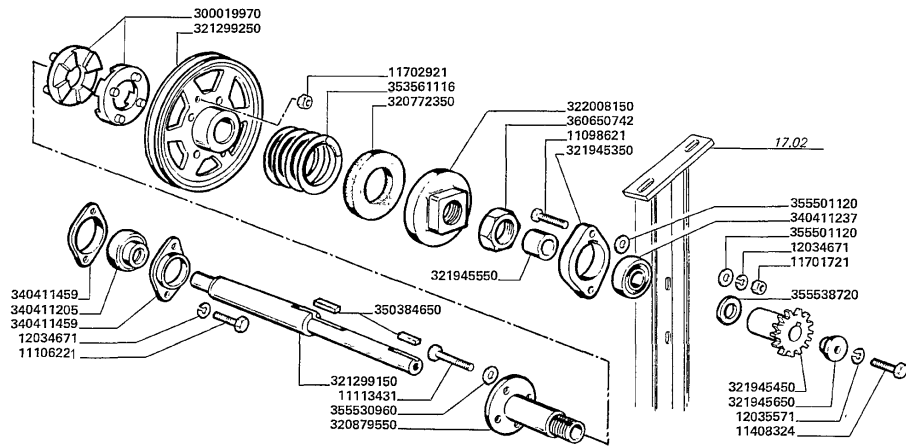
- 10902224
- 10902424
- 12035670
- 15896221
- 16100811
- 16104111
- 320792350
- 322607350
- 322607550
- 322625950
- 322626750
- 355500715
- 355500920
- 355510615
- 12 SCREW
- 28 SCREW
- 119 LOCK WASHER
- 119 NUT
- 14 NUT
- 6 NUT
- 2 SPRING
- 4 ANGULAR
- 2 EXTENSION,
- 2 EXTENSION,
- 0 SUPPORT
- 1 STIRRUP
- 63 WASHER
- 10 WASHER
- 117 WASHER

Tank and fairings

MTB "L" L 625



DRIVE AND UNLOADING TANK CLUTCH

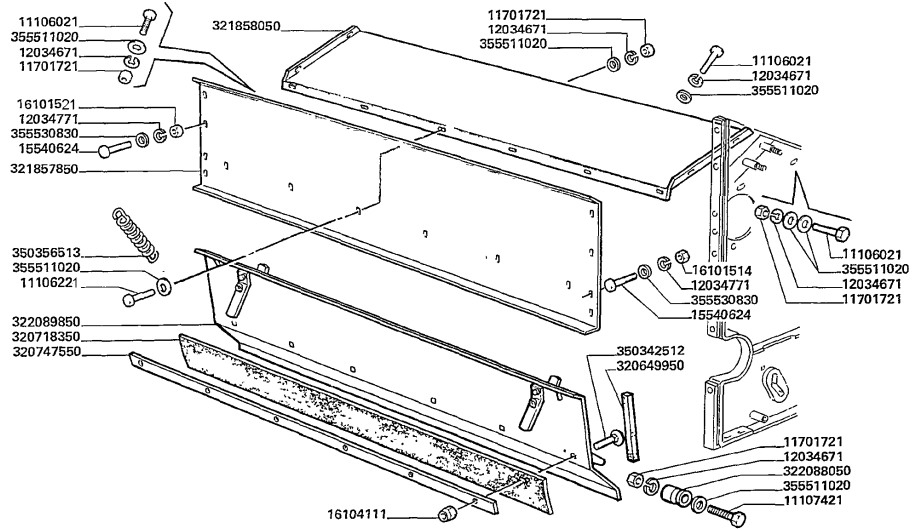
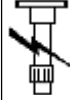


- | | | | |
|-----------|--------------------|----|------------|
| 11098621 | | 2 | SCREW |
| 11106221 | | 2 | SCREW |
| 11113431 | | 2 | SCREW |
| 11408324 | ● 000114083240 (1) | 1 | SCREW |
| 11701721 | | 7 | NUT |
| 11702921 | | 2 | NUT |
| 12034671 | | 7 | LOCK WASHE |
| 12035571 | | 1 | LOCK WASHE |
| 320772350 | | 1 | WASHER |
| 320879550 | | 1 | HUB |
| 321299150 | | 1 | MAST |
| 321299250 | | 1 | PULLEY |
| 321945350 | | 1 | SUPPORT |
| 321945450 | | 1 | GEAR |
| 321945550 | | 1 | SPACER |
| 321945650 | | 1 | WASHER |
| 322008150 | | 1 | CUP |
| 322701550 | | 2 | SLEEVE |
| 340411205 | | 1 | BEARING |
| 340411237 | | 1 | BEARING |
| 340411459 | | 2 | FLANGE |
| 350384650 | | 2 | KEY |
| 353561116 | | 1 | SPRING |
| 355501120 | | 10 | WASHER |
| 355530960 | | 2 | WASHER |
| 355538720 | | 1 | WASHER |
| 360650742 | | 1 | NUT |

Thresher

DRUM HOUSING

MTB "L" L 625

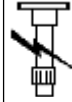


- | | |
|-----------|---------------|
| 11106021 | 11 SCREW |
| 11106221 | 16 SCREW |
| 11107421 | 2 SCREW |
| 11701721 | 28 NUT |
| 12034671 | 41 LOCK WASHE |
| 12034771 | 16 LOCK WASHE |
| 15540624 | 9 SCREW |
| 16101514 | 20 NUT |
| 16104111 | 8 NUT |
| 320649950 | 2 GASKET |
| 320718350 | 1 GASKET |
| 320747550 | 1 STRAP |
| 321857850 | 1 WALL |
| 321858050 | 1 ROOF |
| 322088050 | 2 PIN |
| 322089850 | 1 HATCH |
| 350342512 | 12 SCREW |
| 350356513 | 2 SPRING |
| 355511020 | 45 WASHER |
| 355530830 | 18 WASHER |

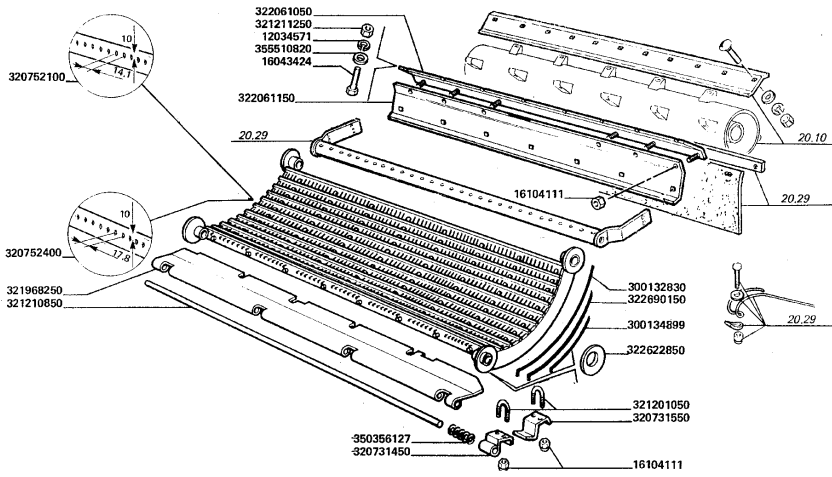
● 000155406240 (9)

Thresher

MTB "L" L 625



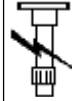
CONCAVE



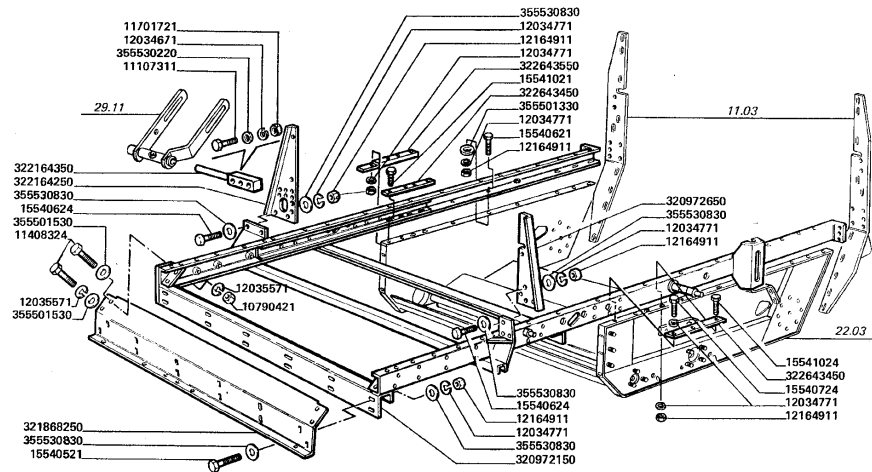
- | | |
|-----------|--------------------|
| 12034571 | 8 LOCK WASHE |
| 16043424 | 8 SCREW |
| 16104111 | 20 NUT |
| 300132830 | 1 WIRE, RETA |
| 300134899 | 1 WIRE, RETA |
| 320731450 | 4 HINGE |
| 320731550 | 3 SUPPORT |
| 320752100 | 1 CONCAVE |
| | ● 003234133500 (1) |
| | 003234125005 (4) |
| 320752400 | 1 CONCAVE |
| 321201050 | 7 BRIDLE |
| 321210850 | 1 DOWEL |
| 321968250 | 8 NUT |
| 322061050 | 1 PANEL |
| 322061150 | 1 PLATE |
| 322622850 | 1 PROFILE |
| 322690150 | 4 WASHER |
| 350356127 | 1 WIRE, RETA |
| 355510820 | 1 SPRING |
| | 8 WASHER |

Thresher

MTB "L" L 625



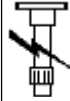
FRAME



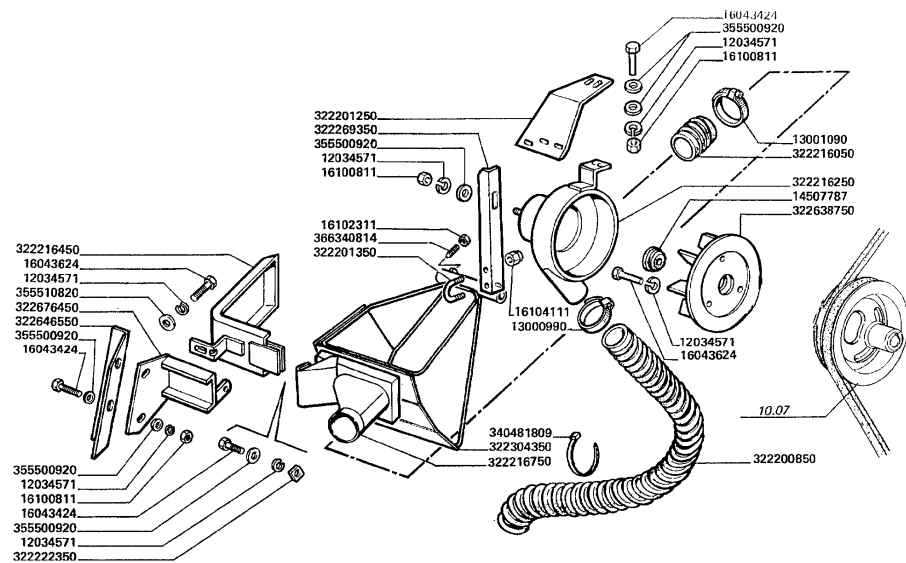
- | | | |
|-----------|--------------------|---------------|
| 10790421 | | 2 NUT |
| 11107311 | ● 000111073210 (3) | 3 SCREW |
| 11408324 | ● 000114083240 (4) | 4 SCREW |
| 11701721 | | 4 NUT |
| 12034671 | | 4 LOCK WASHE |
| 12034771 | | 17 LOCK WASHE |
| 12035571 | | 4 LOCK WASHE |
| 12164911 | | 17 NUT |
| 15540521 | | 12 SCREW |
| 15540624 | ● 000155406240 (5) | 5 SCREW |
| 15540724 | ● 000155407240 (0) | 0 SCREW |
| 15541021 | | 0 SCREW |
| 15541024 | | 6 SCREW |
| 320972150 | | 1 FRAME |
| 320972650 | | 1 REINFORCEM |
| 321868250 | | 1 CROSSPIECE |
| 322164250 | | 1 GROUSER |
| 322164350 | | 1 PIN |
| 322643450 | | 2 BASE PLATE |
| 322643550 | | 1 BASE PLATE |
| 355501330 | | 0 WASHER |
| 355501530 | | 4 WASHER |
| 355530220 | | 3 WASHER |
| 355530830 | | 22 WASHER |

Tools

MTB "L" L 625



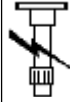
RADIATOR FILTER INTAKE



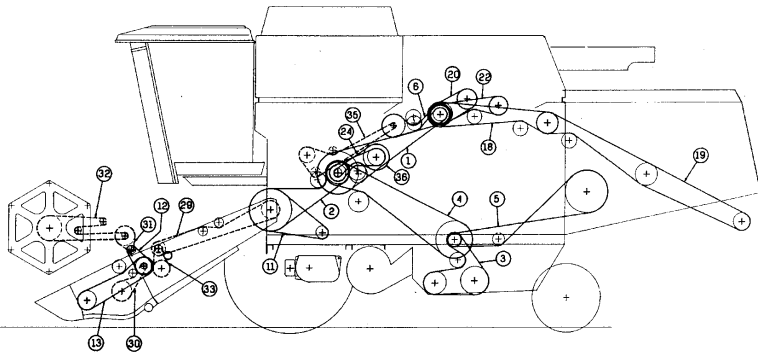
- | | |
|-----------|---------------|
| 12034571 | 10 LOCK WASHE |
| 13000990 | 1 COLLAR |
| 13001090 | 0 COLLAR |
| 14507787 | 1 PLUG |
| 16043424 | 8 SCREW |
| 16043624 | 1 SCREW |
| 16100811 | 5 NUT |
| 16102311 | 2 NUT |
| 16104111 | 2 NUT |
| 322200850 | 1 PIPE |
| 322201250 | 1 STIRRUP |
| 322201350 | 1 BRIDLE |
| 322216050 | 1 PIPE |
| 322216250 | 1 ELEMENT |
| 322216450 | 1 AIR FUNNEL |
| 322216750 | 1 CONVEYOR |
| 32222350 | 1 BASE PLATE |
| 322269350 | 1 ANGULAR |
| 322304350 | 1 SCREEN |
| 322638750 | 1 ROTOR |
| 322646550 | 1 ANGULAR |
| 322676450 | 1 SUPPORT |
| 340481809 | 1 CLAMP |
| 355500920 | 8 WASHER |
| 355510820 | 1 WASHER |
| 366340814 | 2 SCREW |

Tools

MTB "L" L 625



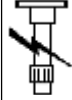
DRIVE BELTS AND DRIVE CHAINS (LEFT-HAND)



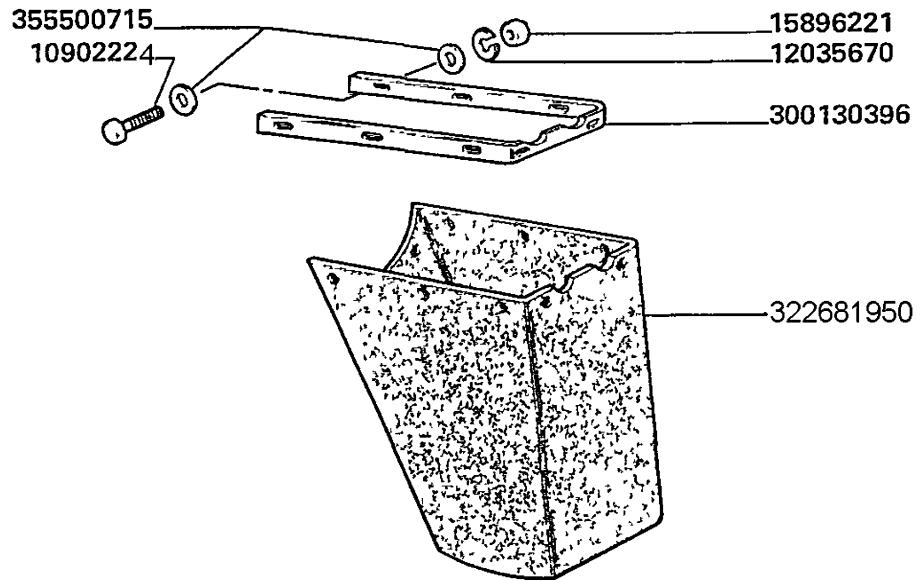
340433159		1 BELT
340433253		1 BELT
340433405		1 BELT
340433422		1 BELT
340433423		1 BELT
340433474		1 BELT
340433475		1 BELT
340433539		1 BELT
340433984		1 BELT
340434138		1 BELT
340437240	● 3443721050 (1)	1 CHAIN ASA
340437977		1 CHAIN ASA
344311123		1 BELT
344311130		1 BELT
344311151		1 BELT
344311227	● 003443112400 (1)	1 BELT
344311318		1 BELT
344312128		1 BELT
344375163		1 CHAIN ASA
344375178		1 CHAIN ASA
344375186		1 CHAIN ASA
344375203		1 CHAIN ASA
344375224		1 CHAIN ASA
344375227		1 CHAIN ASA
344377211		1 CHAIN
344377220		1 CHAIN

Tools

MTB "L" L 625



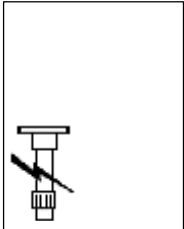
SWIVEL CONVEYOR



- | | | |
|-----------|---------------------|---------------|
| 10902224 | | 10 SCREW |
| 12035670 | ● 000120356710 (10) | 10 LOCK WASHE |
| 15896221 | | 10 NUT |
| 300130396 | | 1 STRAP |
| 322681950 | | 1 CONVEYOR |
| 355500715 | | 20 WASHER |

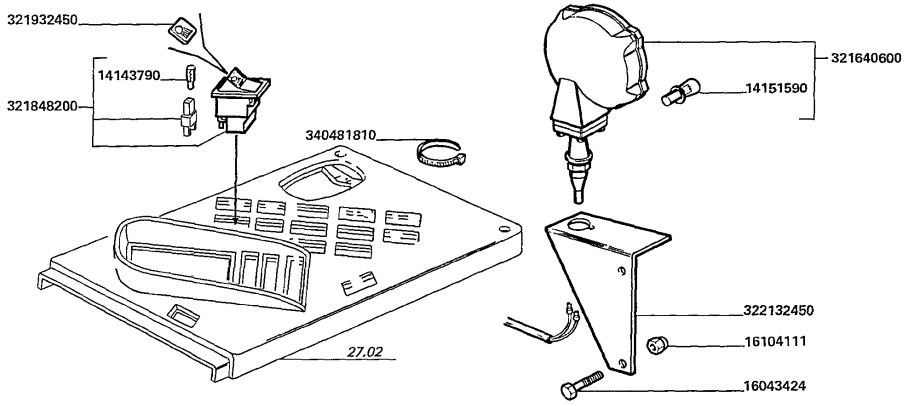
Tools

MTB "L" L 625



AUXILIARY LIGHT

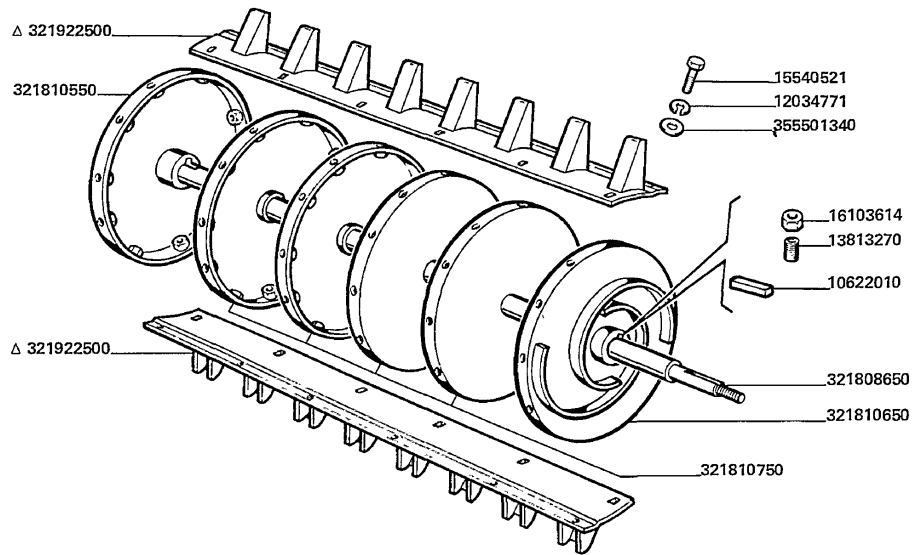
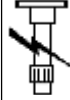
- 14143790
 - 14151590
 - 16043424
 - 16104111
 - 321640600
 - 321848200
 - 321932450
 - 322132450
 - 340481810
- 1 LAMPADA
 - 1 LAMPADA
 - 2 SCREW
 - 2 NUT
 - 1 LIGHT
 - 1 BUTTON
 - 1 PLATE
 - 1 BRACKET PL
 - 10 CLAMP



Tools

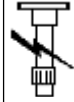
MULTI CROP SEPARATOR

MTB "L" L 625



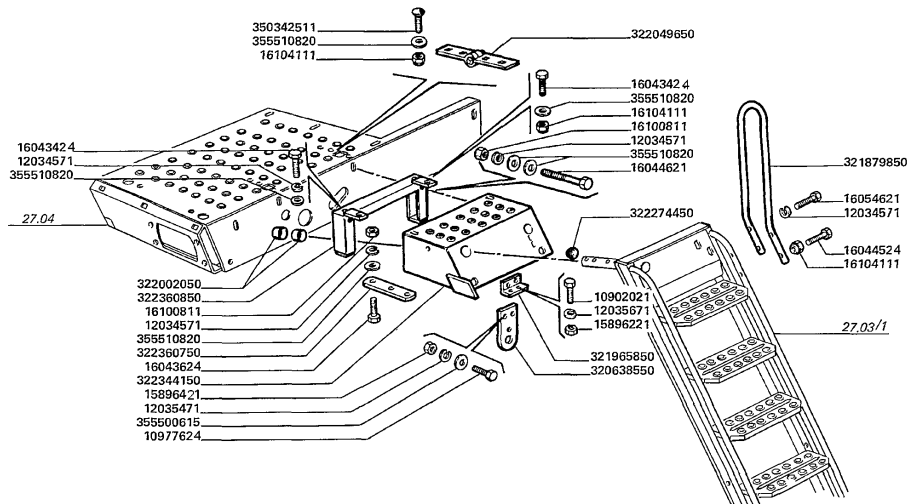
- | | | | |
|-----------|---|----|------------|
| 10622010 | | 2 | KEY |
| 12034771 | | 64 | LOCK WASHE |
| 13813270 | | 2 | SCREW |
| 15540521 | | 60 | SCREW |
| 16103614 | ● | 2 | NUT |
| 321808650 | ● | 1 | SHAFT |
| 321810550 | | 1 | DISC |
| 321810650 | | 1 | DISC |
| 321810750 | | 4 | DISC |
| 321922500 | | 5 | PAIR BAR P |
| 355501340 | | 60 | WASHER |

Tools



LADDER FOOTBOARD

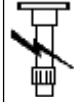
MTB "L" L 625



- | | | |
|-----------|----|------------|
| 10902021 | 2 | SCREW |
| 12034571 | 17 | LOCK WASHE |
| 12035471 | 4 | LOCK WASHE |
| 12035671 | 2 | LOCK WASHE |
| 15896421 | 4 | NUT |
| 16043424 | 4 | SCREW |
| 16043624 | 8 | SCREW |
| 16044524 | 2 | SCREW |
| 16044621 | 2 | SCREW |
| 16100811 | 13 | NUT |
| 16104111 | 12 | NUT |
| 320638550 | 1 | SUPPORT |
| 321879850 | 1 | SHIELD |
| 321965850 | 1 | PLATE |
| 322002050 | 2 | BEARING |
| 322049650 | 2 | HINGE |
| 322274450 | 2 | PLUG |
| 322344150 | 1 | SUPPORT |
| 322360750 | 2 | PLATE |
| 322360850 | 1 | SHIM |
| 350342511 | 6 | SCREW |
| 355500615 | 2 | WASHER |
| 355510820 | 34 | WASHER |

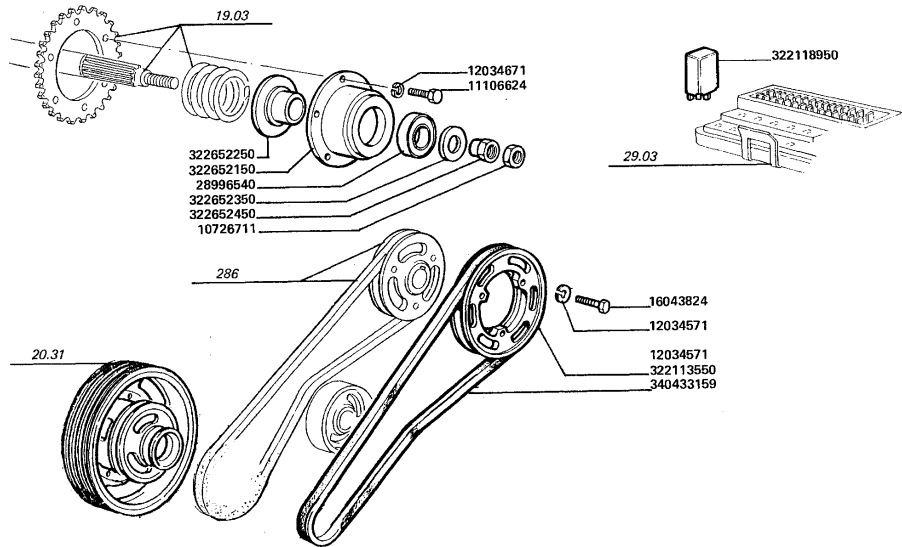
● 000158964110 (4)

Tools



SPEED REDUCTION

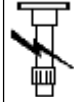
MTB "L" L 625



- 10726711
- 11106624
- 12034571
- 12034671
- 16043824
- 28996540
- 322113550
- 322118950
- 322652150
- 322652250
- 322652350
- 322652450
- 340433159

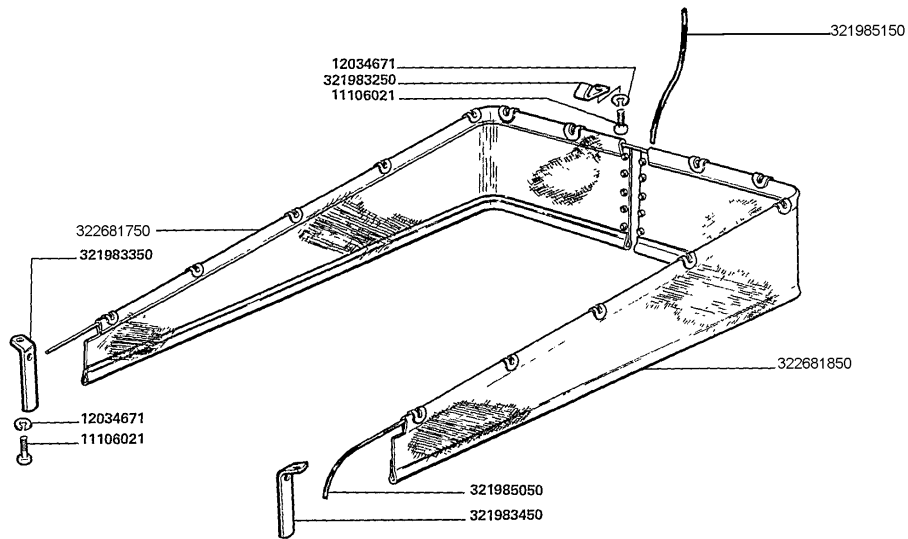
- 1 NUT
- 0 SCREW
- 3 LOCK WASHE
- 6 LOCK WASHE
- 3 SCREW
- 1 BEARING
- 1 PULLEY DRI
- 1 WARNING DE
- 1 SUPPORT
- 1 PLATE,THRU
- 1 WASHER
- 1 NUT
- 1 BELT

Tools



MTB "L" L 625

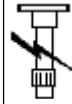
CANVAS FOR STRAW WALKER BODY



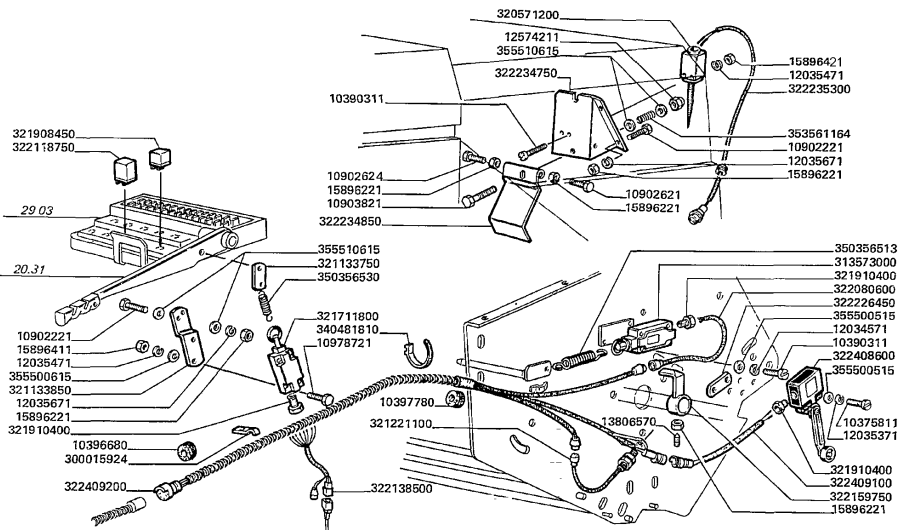
- | | | |
|-----------|--------------------|---------------|
| 11106021 | | 18 SCREW |
| 12034671 | | 18 LOCK WASHE |
| 321983250 | | 16 BRIDLE |
| 321983350 | | 1 BASE PLATE |
| 321983450 | | 1 BASE PLATE |
| 321984650 | | 1 CANVAS |
| 321985150 | | 1 CORD |
| 322681750 | ● 003227725500 (1) | 1 CANVAS |
| 322681850 | ● 003227726500 (1) | 1 CANVAS |

Tools

MTB "L" L 625



STRAW CHOPPER - ELECTRIC SYSTEM

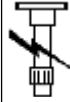


- 10375811 2 SCREW
- 10390311 4 SCREW
- 10396680 2 RING
- 10397780 1 RING
- 10902221 6 SCREW
- 10902624 2 SCREW
- 10903821 1 SCREW
- 10978721 2 SCREW
- 12035371 2 LOCK WASHE
- 12035471 6 LOCK WASHE
- 12035671 6 LOCK WASHE
- 12574211 1 NUT
- 13806570 1 SCREW
- 15896411 4 NUT
- 15896421 9 NUT
- 300015924 5 CLAW
- 313573000 1 SWITCH
- 320571200 1 SWITCH
- 321133750 1 PLATE
- 321133850 1 SUPPORT
- 321221100 1 SENSOR
- 321711800 1 SWITCH
- 321908450 1 SWITCH, RE
- 321910400 2 CABLE CLIP
- 322080600 1 WIRE/CABLE
- 322118750 1 WARNING DE
- 322138500 1 WIRE/CABLE
- 322159750 1 THROTTLE
- 322226450 2 PLATE
- 322234750 1 SUPPORT
- 322234850 1 SUPPORT
- 322235300 1 WIRE/CABLE
- 322409100 1 WIRE/CABLE

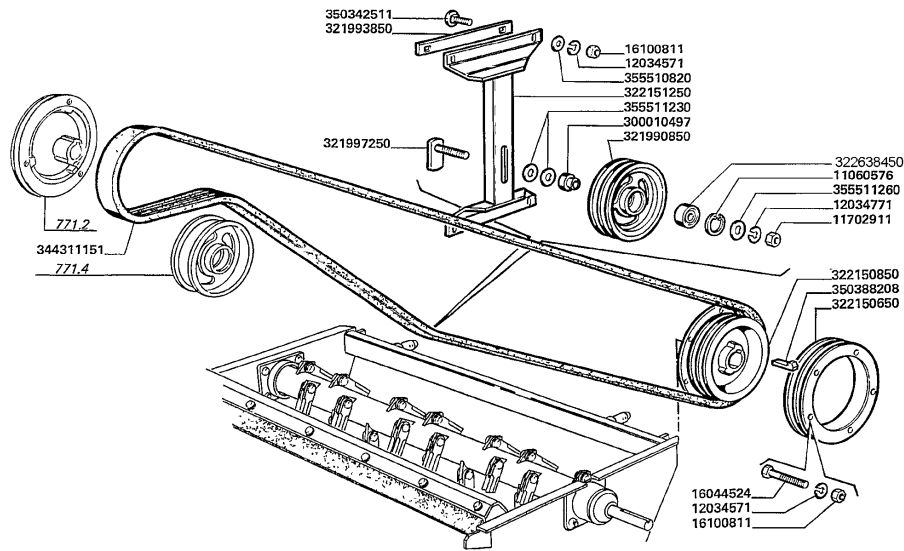
● 000158964110 (9)

Tools

MTB "L" L 625



STRAW CHOPPER - DRIVE



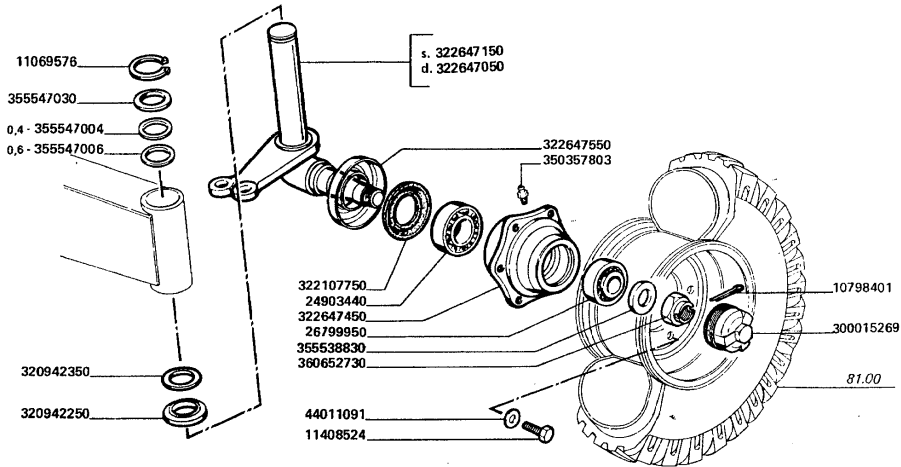
- | | | | |
|-----------|--------------------|---|------------|
| 11060576 | | 1 | SPRING LOC |
| 11702911 | | 1 | NUT |
| 12034571 | | 9 | LOCK WASHE |
| 12034771 | | 1 | LOCK WASHE |
| 16044524 | | 5 | SCREW |
| 16100811 | | 9 | NUT |
| 300010497 | | 1 | SPACER |
| 321990850 | ● 003219908503 (1) | 1 | TENSION SL |
| 321993850 | | 2 | PLATE |
| 321997250 | | 1 | PIN |
| 322150650 | | 1 | PULLEY |
| 322150850 | | 1 | PULLEY |
| 322151250 | | 1 | SUPPORT |
| 322638450 | | 1 | BEARING |
| 344311151 | | 1 | BELT |
| 350342511 | | 4 | SCREW |
| 350388208 | | 1 | FLAT KEY |
| 355510820 | | 4 | WASHER |
| 355511230 | | 2 | WASHER |
| 355511260 | | 1 | WASHER |

Transmission

MTB "L" L 625



REAR AXLE - FIXE



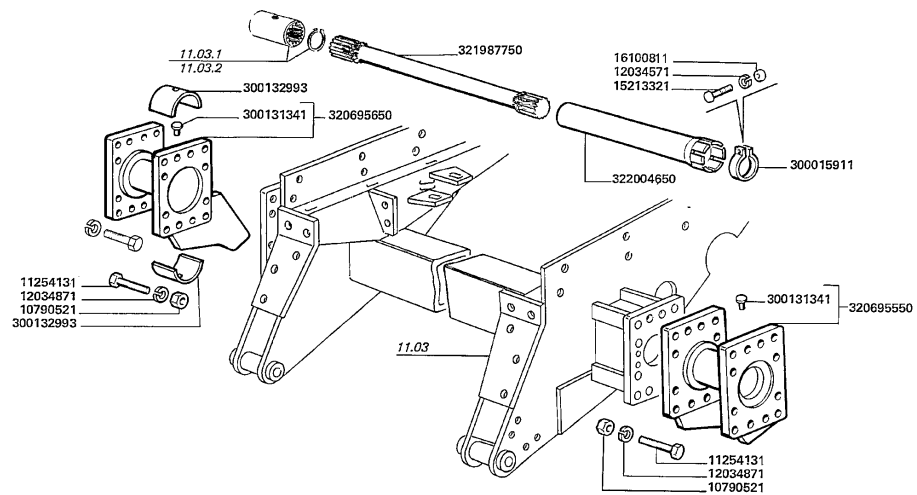
- | | | |
|-----------|--|---------------|
| 10798401 | | 1 LINCH PIN |
| 11069576 | | 2 SPRING LOC |
| 11408524 | ● 000114085210 (12) | 12 SCREW |
| 24903440 | | 2 BEARING |
| 26799950 | | 2 BEARING |
| 300015269 | | 2 COVER |
| 320942250 | | 2 RING |
| 320942350 | | 2 RING |
| 322008050 | ● 003000152690 (2)
003226474500 (2) | 2 WHEEL HUB |
| 322107750 | | 2 BELLOWS |
| 322647050 | | 1 SPINDLE |
| 322647150 | | 1 STUB AXLE/ |
| 322647450 | | 2 WHEEL HUB |
| 322647550 | | 2 SHIELD |
| 350357803 | | 5 NIPPLE, LU |
| 355538830 | | 3 WASHER |
| 355547004 | | 2 WASHER |
| 355547006 | | 2 WASHER |
| 355547030 | | 2 WASHER |
| 360652730 | | 2 NUT |
| 44011091 | | 12 LOCK WASHE |

Transmission

MTB "L" L 625



CRAWLER TRACKS

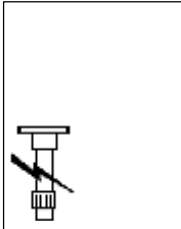


- 10790521
- 11254134
- 12034571
- 12034871
- 15213321
- 16100811
- 300015911
- 300131341
- 300132993
- 320695550
- 320695650
- 321987750
- 322004650

- 24 NUT
- 24 SCREW
- 2 LOCK WASHE
- 24 LOCK WASHE
- 2 SCREW
- 2 NUT
- 2 CLAMP
- 2 RUNG
- 4 HALF ROUND
- 1 EXTENSION
- 1 EXTENSION
- 2 HALFSHAFT
- 2 SHIELD

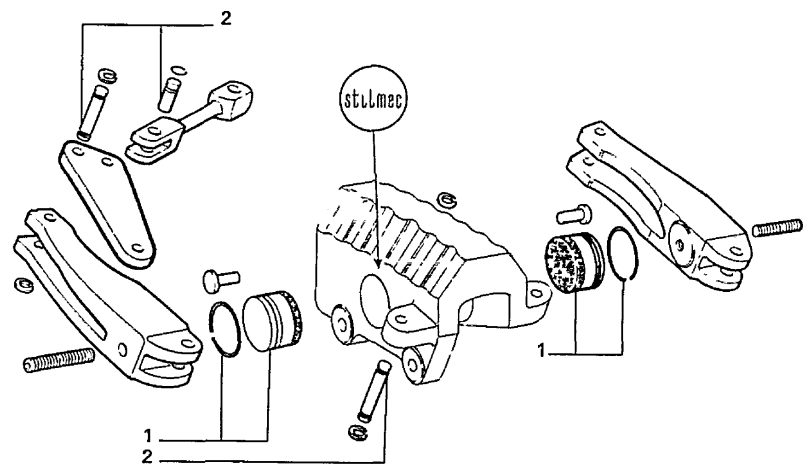
Transmission

MTB "L" L 625



PARKING BRAKE ELEMENTS 320975700

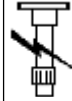
- 321155400 1 SET OF PLU
- 321980800 ● 003224822000 (1) 1 PAD SET



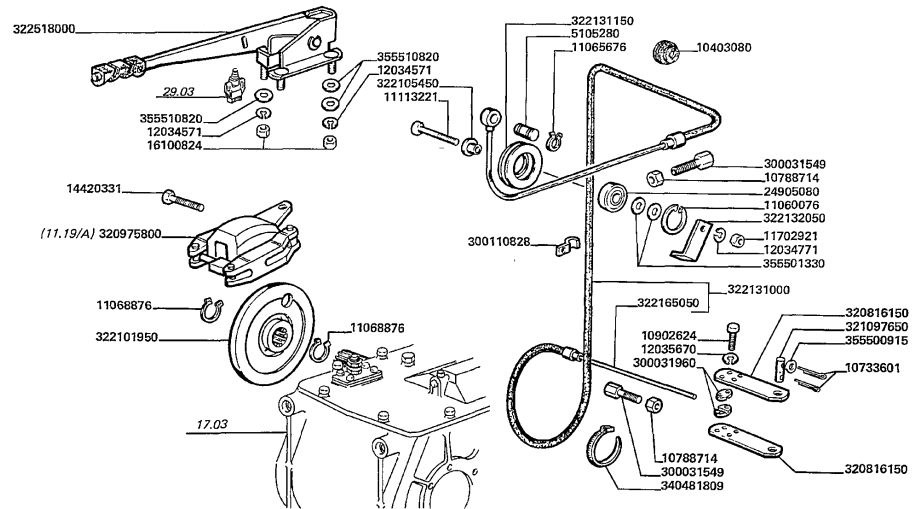
	321980800 = 1
	321155400 = 2

Transmission

MTB "L" L 625



PARKING BRAKE



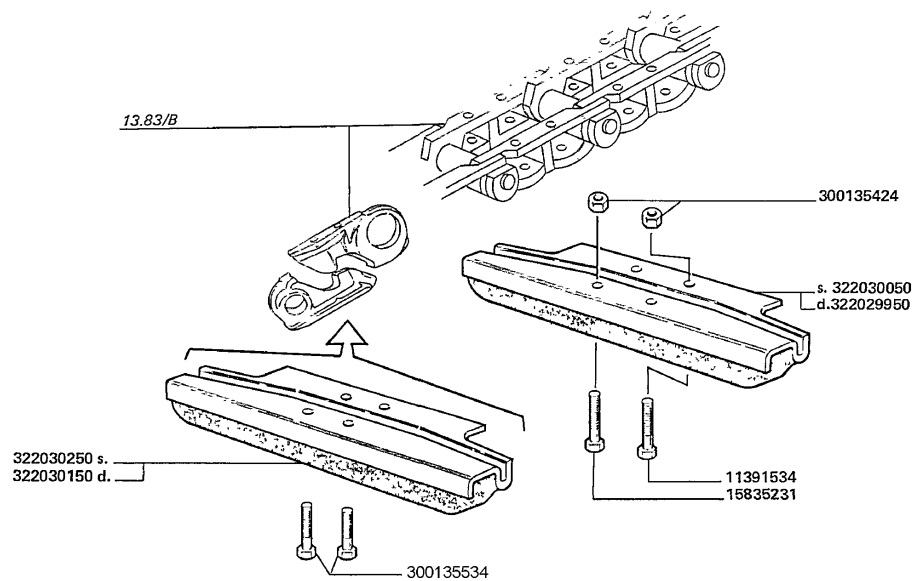
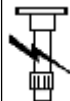
- | | |
|-----------|--------------|
| 10403080 | 1 RING |
| 10733601 | 2 LINCH PIN |
| 10788714 | 2 NUT |
| 10902624 | 4 SCREW |
| 11060076 | 1 SPRING LOC |
| 11065676 | 2 SPRING LOC |
| 11068876 | 2 SPRING LOC |
| 11113221 | 1 SCREW |
| 11702921 | 1 NUT |
| 12034571 | 4 LOCK WASHE |
| 12034771 | 1 LOCK WASHE |
| 12035670 | 4 LOCK WASHE |
| 14420331 | 2 SCREW |
| 16100824 | 4 NUT |
| 24905080 | 1 BEARING |
| 300031549 | 2 SCREW |
| 300031960 | 4 ELEMENT |
| 300110828 | 4 BRIDLE |
| 320816150 | 2 PLATE |
| 321097650 | 1 PIN |
| 322101950 | 1 BRAKE DISC |
| 322105450 | 1 BUSH |
| 322131000 | 1 CABLE |
| 322131150 | 1 PULLEY |
| 322132050 | 1 BRACKET, S |
| 322165050 | 1 CABLE |
| 322362200 | 1 BRAKE CALI |
| 322518000 | 1 LEVER |
| 340481809 | 1 CLAMP |
| 355500915 | 2 WASHER |
| 355501330 | 2 WASHER |
| 355510820 | 6 WASHER |
| 5105280 | 1 PIN |

● 000120356710 (4)

Transmission

RUBBER SHOE

MTB "L" L 625



- 11391531
- 15835231
- 300135424
- 300135534
- 322029950
- 322030050
- 322030150
- 322030250

- 134 SCREW
- 134 SCREW
- 148 NUT
- 4 SCREW
- 37 SKATE
- 37 SKATE
- 1 SKATE
- 1 SKATE

CLICK HERE TO **DOWNLOAD** THE COMPLETE MANUAL

- Thank you very much for reading the preview of the manual.
- You can download the complete manual from: www.heydownloads.com by clicking the link below



- Please note: If there is no response to CLICKING the link, please download this PDF first and then click on it.

CLICK HERE TO **DOWNLOAD** THE COMPLETE MANUAL