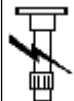


Drive's platform

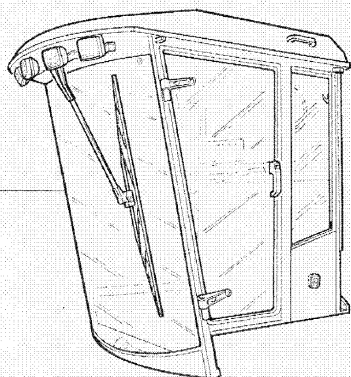
MTB "L" L 518 ; L 520



CAB - CLIMATIZED CAB

322277000 ● 003227707000 (1) 1 CAB

322770700



CLICK HERE TO **DOWNLOAD** THE COMPLETE MANUAL

- Thank you very much for reading the preview of the manual.
- You can download the complete manual from: www.heydownloads.com by clicking the link below



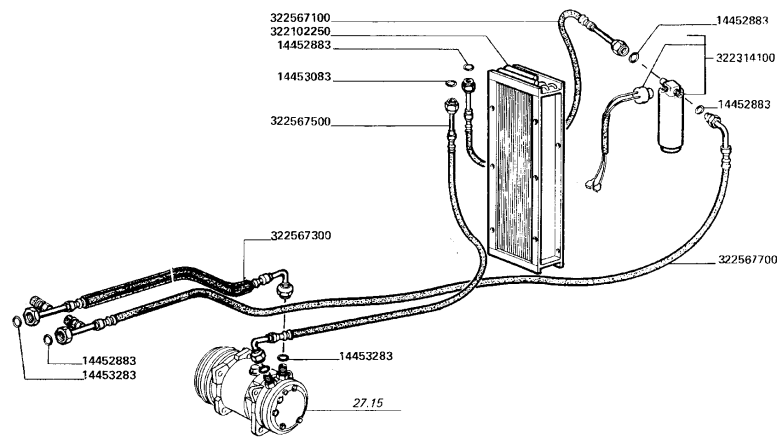
- Please note: If there is no response to CLICKING the link, please download this PDF first and then click on it.

CLICK HERE TO **DOWNLOAD** THE COMPLETE MANUAL

Drive's platform

CAB - AIR CONDITIONED (FREON "HFC 134 A")

MTB "L" L 518 ; L 520



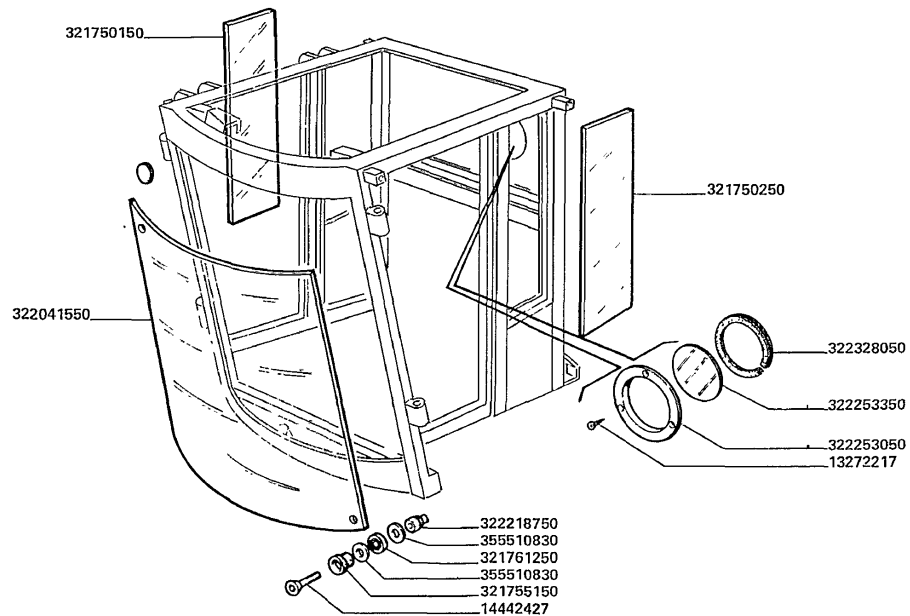
- | | |
|-----------|-------------|
| 14452883 | 6 O-RING |
| 14453083 | 1 O-RING |
| 14453283 | 5 O-RING |
| 322102250 | 1 CONDENSER |
| 322314100 | 1 FILTER |
| 322567100 | 1 HOSE |
| 322567300 | 1 HOSE |
| 322567500 | 1 HOSE |
| 322567700 | 1 HOSE |

Drive's platform

MTB "L" L 518 ; L 520



CAB - GLASSES

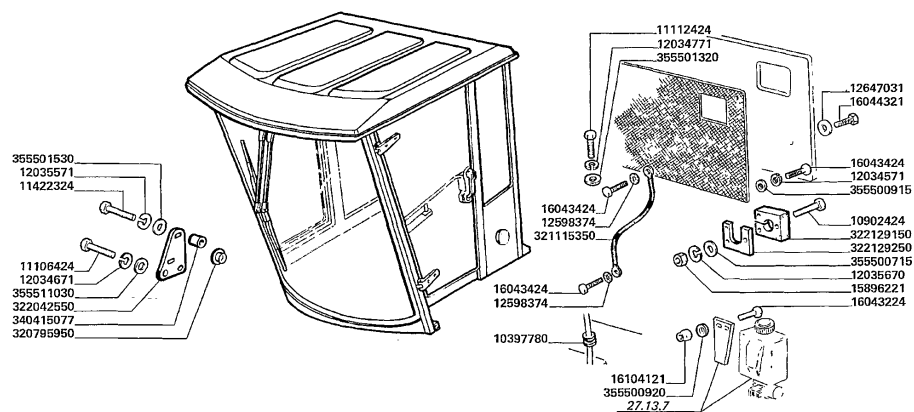
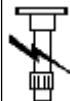


- | | | |
|-----------|---|------------|
| 13272217 | 3 | SCREW |
| 14442427 | 2 | SCREW |
| 321750150 | 1 | GLASS ASSY |
| 321750250 | 1 | GLASS ASSY |
| 321755150 | 2 | BUSH |
| 321761250 | 2 | GASKET |
| 322041550 | 1 | GLASS ASSY |
| 322218750 | 2 | NUT |
| 322253050 | 1 | RING |
| 322253350 | 1 | PLUG |
| 322328050 | 1 | GASKET |
| 355510830 | 4 | WASHER |

Drive's platform

CAB INSTALLATION page2

MTB "L" L 518 ; L 520

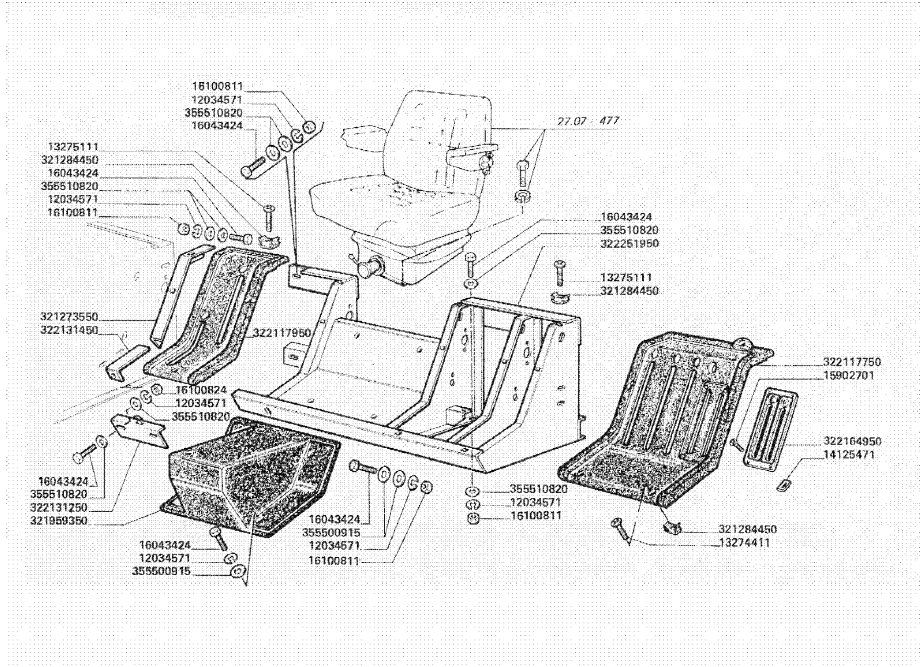
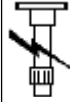


- 10397780
 - 10902424
 - 11106424
 - 11112424
 - 11422324
 - 12034571
 - 12034671
 - 12034771
 - 12035571
 - 12035670
 - 12598374
 - 12647031
 - 15896221
 - 16043224
 - 16043424
 - 16044321
 - 16044321
 - 16044321
 - 16044321
 - 16044321
 - 16104121
 - 320795950
 - 321115350
 - 322042550
 - 322129150
 - 322129250
 - 340415077
 - 355500715
 - 355500915
 - 355500920
 - 355501320
 - 355501530
 - 355511030
- 1 RING
 - 8 SCREW
 - 5 SCREW
 - 2 SCREW
 - 2 SCREW
 - 22 LOCK WASHE
 - 4 LOCK WASHE
 - 2 LOCK WASHE
 - 2 LOCK WASHE
 - 31 LOCK WASHE
 - 2 LOCK WASHE
 - 4 LOCK WASHE
 - 15 NUT
 - 15 SCREW
 - 10 SCREW
 - 4 SCREW
 - 2 NUT
 - 4 PLUG
 - 1 EARTH WIRE
 - 2 STIRRUP
 - 1 GASKET
 - 1 FLANGE
 - 2 BUSH
 - 26 WASHER
 - 3 WASHER
 - 3 WASHER
 - 2 WASHER
 - 2 WASHER
 - 4 WASHER
- 000114223240 (2)
 - 000120356710 (31)
 - 000106156790 (2)

Drive's platform

DRIVE'S PLATFORM page2

MTB "L" L 518 ; L 520

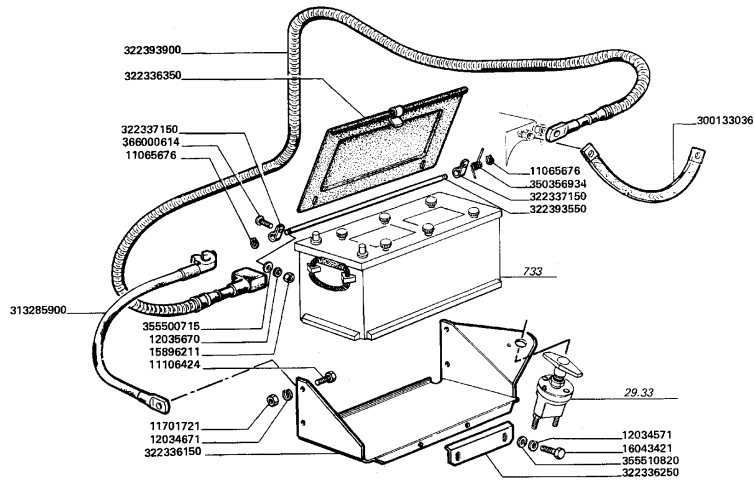


- | | |
|-----------|---------------|
| 12034571 | 26 LOCK WASHE |
| 13274411 | 3 SCREW |
| 13275111 | 8 SCREW |
| 14125471 | 4 PLATE |
| 15902701 | 4 SCREW |
| 16043424 | 26 SCREW |
| 16100824 | 21 NUT |
| 321273550 | 1 SUPPORT |
| 321284450 | 11 NUT |
| 321959350 | 1 SUPPORT |
| 322117750 | 1 COVER |
| 322117950 | 1 COVER |
| 322131250 | 1 PROFILE |
| 322131450 | 1 SUPPORT |
| 322164950 | 1 PLAQUE, DA |
| 322251950 | 1 SUPPORT |
| 355500915 | 6 WASHER |
| 355510820 | 38 WASHER |

Eletric system

STARTING CIRCUITS page2

MTB "L" L 518 ; L 520

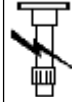


- 11065676
- 11106424
- 11701721
- 12034571
- 12034671
- 12035670
- 15896221
- 16043421
- 300133036
- 313285900
- 322336150
- 322336250
- 322336350
- 322337150
- 322393550
- 322393900
- 350356934
- 355500715
- 355510820
- 366000614
- 2 SPRING LOC
- 4 SCREW
- 4 NUT
- 2 LOCK WASHE
- 4 LOCK WASHE
- 2 LOCK WASHE
- 2 NUT
- 2 SCREW
- 1 CABLE
- 1 WIRE/CABLE
- 1 FRAME
- 1 STRAP
- 1 COVER
- 2 CLAMP
- 1 PIN
- 1 WIRE/CABLE
- 1 SPRING
- 3 WASHER
- 2 WASHER
- 2 SCREW

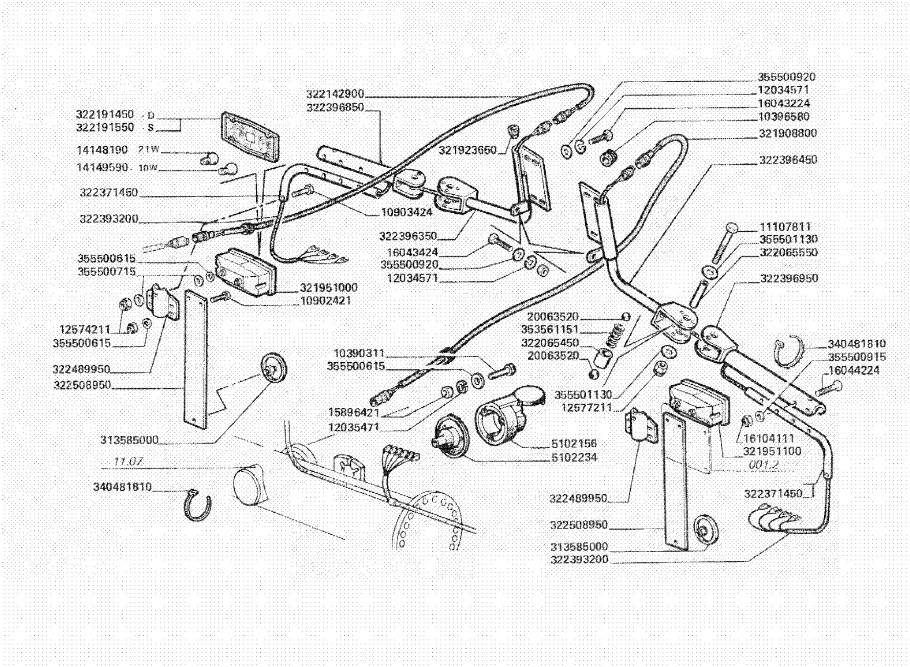
● 000120356710 (2)

Eletric system

MTB "L" L 518 ; L 520



REAR LIGHTING COMPONENTS

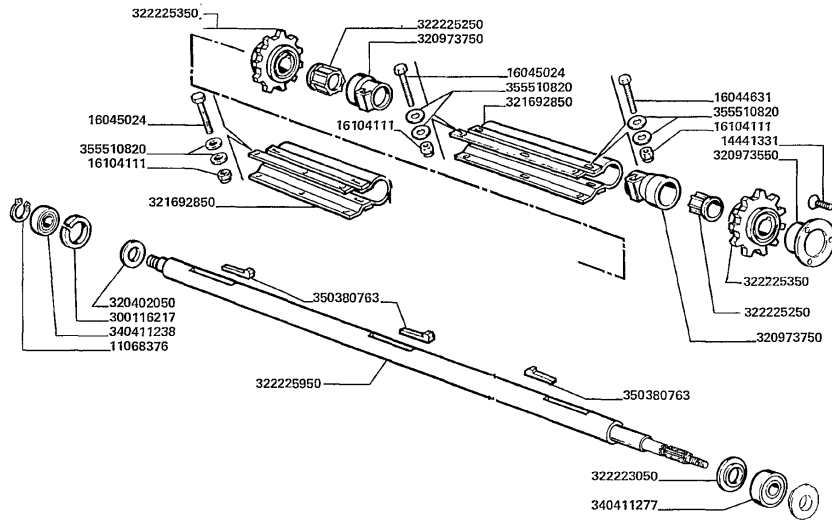
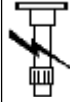


- | | | |
|-----------|----|------------|
| 10390311 | 3 | SCREW |
| 10396580 | 2 | RING |
| 10902421 | 4 | SCREW |
| 10903424 | 2 | SCREW |
| 11107811 | 2 | SCREW |
| 12034571 | 10 | LOCK WASHE |
| 12035471 | 7 | LOCK WASHE |
| 12574211 | 8 | NUT |
| 12577211 | 2 | NUT |
| 14148190 | 2 | LAMPADA |
| 14149590 | 1 | LAMPADA |
| 15896421 | 3 | NUT |
| 16043424 | 10 | SCREW |
| 16044224 | 4 | SCREW |
| 16104111 | 4 | NUT |
| 20063520 | 4 | BALL |
| 313585000 | 2 | REFLECTOR |
| 321908800 | 1 | WIRE/CABLE |
| 321923650 | 2 | PLUG |
| 321951000 | 1 | HEADLAMP |
| 321951100 | 1 | HEADLAMP |
| 322065450 | 2 | BUSH |
| 322065550 | 2 | BUSH |
| 322142900 | 1 | WIRE/CABLE |
| 322191450 | 1 | LENS |
| 322191550 | 1 | LENS |
| 322371450 | 2 | ARM |
| 322393200 | 2 | WIRE/CABLE |
| 322396350 | 1 | ARM |
| 322396450 | 1 | ARM |
| 322396850 | 1 | ARM |
| 322396950 | 1 | ARM |

● 000158964110 (3)

● 003221429000 (1)

MTB "L" L 518 ; L 520

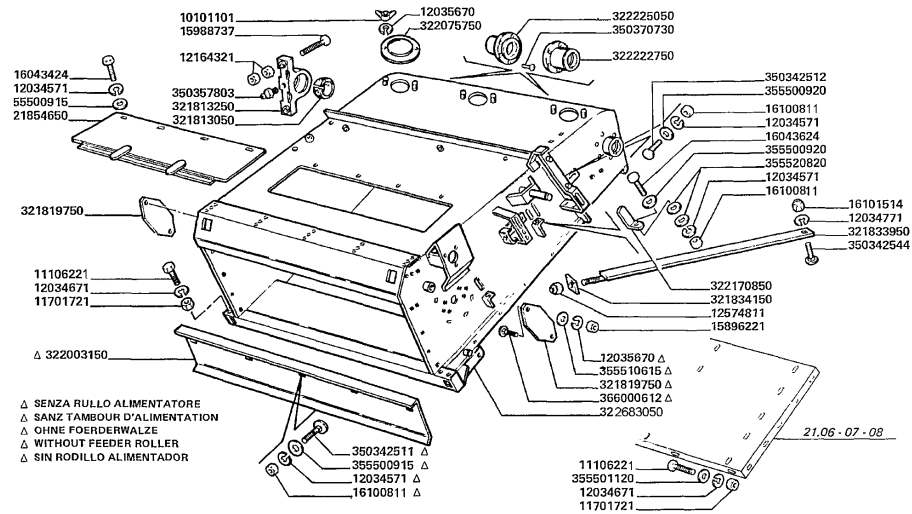
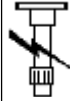


- | | | | |
|-----------|--------------------|----|------------|
| 11068376 | | 1 | SPRING LOC |
| 14441331 | | 6 | SCREW |
| 16044631 | | 4 | SCREW |
| 16045024 | ● 000160450240 (6) | 6 | SCREW |
| 16104111 | | 18 | NUT |
| 300116217 | | 1 | BUSH |
| 320402050 | ● 003204020503 (1) | 1 | WASHER |
| 320973550 | | 2 | SHIELD |
| 320973750 | | 4 | SHIELD |
| 320977250 | | 3 | PINION |
| 321692850 | | 2 | PROTECTION |
| 322223050 | | 1 | WASHER |
| 322225250 | | 4 | RING |
| 322225350 | ● 003233170500 (3) | 3 | PINION |
| 322225950 | | 1 | SHAFT |
| 340411238 | | 1 | BEARING |
| 340411277 | | 1 | BEARING |
| 350380763 | | 3 | KEY |
| 355510820 | | 63 | WASHER |

Elevator

FRONT ELEVATOR page1

MTB "L" L 518 ; L 520

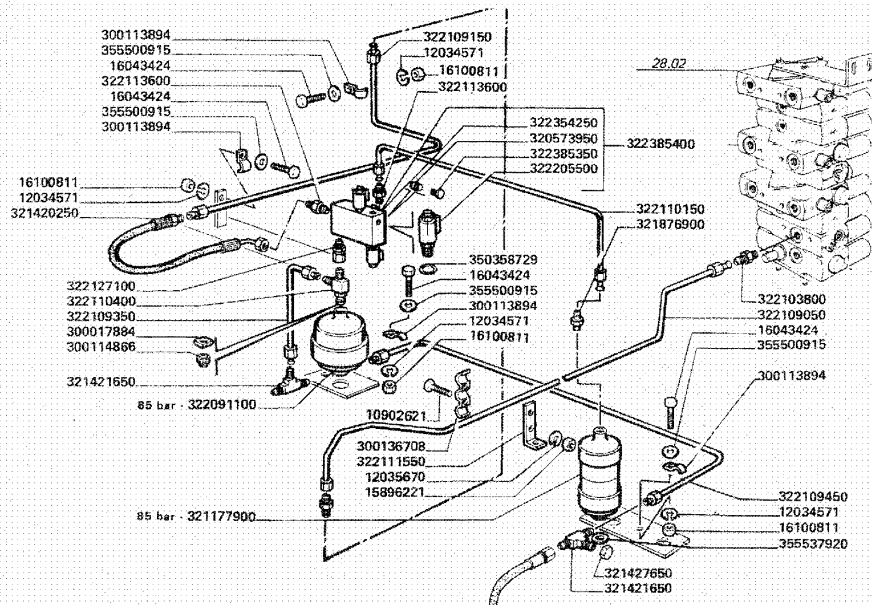


- | | | |
|-----------|---------------------|---------------|
| 10101101 | | 6 NUT |
| 11106221 | | 30 SCREW |
| 11701721 | | 56 NUT |
| 12034571 | | 39 LOCK WASHE |
| 12034671 | | 56 LOCK WASHE |
| 12034771 | | 15 LOCK WASHE |
| 12035670 | ● 000120356710 (16) | 16 LOCK WASHE |
| 12164321 | | 8 NUT |
| 12574811 | | 3 NUT |
| 15896221 | | 18 NUT |
| 15988737 | ● 000159887340 (4) | 4 SCREW |
| 16043424 | | 189 SCREW |
| 16043624 | | 15 SCREW |
| 16100811 | | 24 NUT |
| 16101514 | | 2 NUT |
| 321813050 | | 2 BUSH |
| 321813250 | | 2 SUPPORT |
| 321819750 | | 0 PANEL |
| 321833950 | | 2 TIE ROD |
| 321834150 | | 2 STRAP |
| 321854650 | | 1 LID |
| 322003150 | | 1 PLATE |
| 322075750 | | 3 COVER |
| 322170850 | | 4 BRACKET, S |
| 322222750 | | 1 FLANGE |
| 322225050 | | 1 FLANGE |
| 322683050 | ● 003232553505 (0) | 0 CASHIER |
| 350342511 | | 2 SCREW |
| 350342512 | | 4 SCREW |
| 350342544 | | 2 SCREW |
| 350357803 | | 3 NIPPLE, LU |

Elevator

CUTTER BAR LIFTING page1

MTB "L" L 518 ; L 520



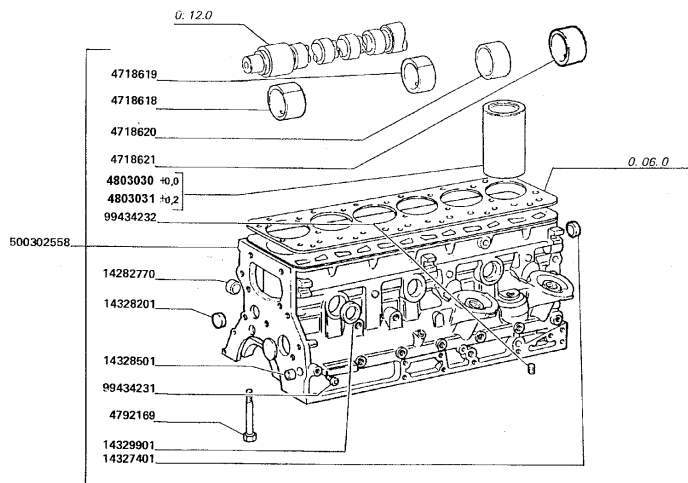
322385400
322718050
322718750
322718850
350358729
355500915
355537920

1 CONTROL UN
1 VALVE
1 HYDRAULIC
1 HYDRAULIC
1 GASKET
4 WASHER
2 WASHER

Engine

CRANKCASE AND CYLINDER page1

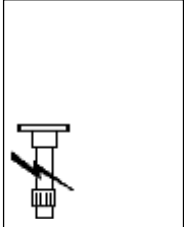
MTB "L" L 518 ; L 520



14282770		6	PLUG
14327401		1	PLUG
14328201		1	PLUG
14328501		2	PLUG
14329901		2	PLUG
4718618	● 000099739690 (1)	1	BUSH
4718619		1	BUSH
4718620		1	BUSH
4718621		1	BUSH
4792169		14	SCREW
4803030		6	BARREL
4803031		6	BARREL
500302558		1	CYLINDER B
99434231		5	PLUG
99434232		2	PLUG

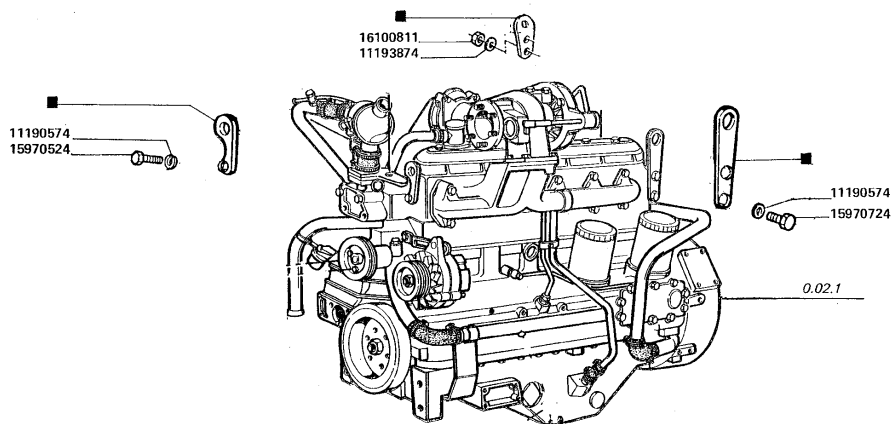
Engine

MTB "L" L 518 ; L 520



HOOKS-ENGINE

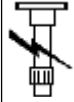
- | | |
|----------|--------------|
| 11190574 | 2 LOCK WASHE |
| 11193874 | 2 LOCK WASHE |
| 15970524 | 1 SCREW |
| 15970724 | 1 SCREW |
| 16100811 | 2 NUT |



I PARTICOLARI CONTRASSEGNA TI CON ■ NON VENGONO FORNITI DI RICAMBIO
PARTS MARKED ■ ARE NOT SUPPLIED AS SPARES

Engine

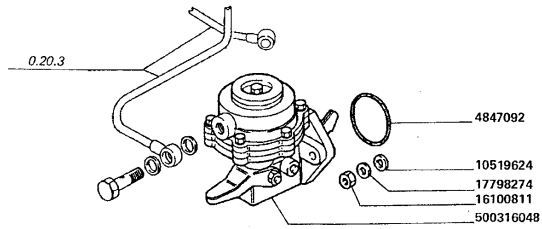
MTB "L" L 518 ; L 520



FUEL PUMP

10519624
16100811
17798274
4847092
500316048

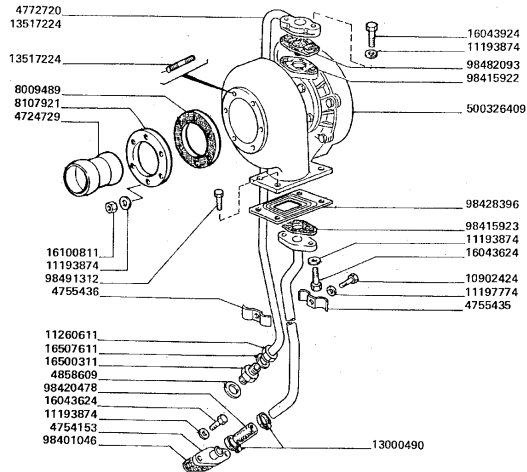
2 LOCK WASHE
2 NUT
2 LOCK WASHE
1 GASKET
1 PUMP FUEL



Engine

SUPERCHARGING SYSTEM page1

MTB "L" L 518 ; L 520



- | | | | |
|-----------|--------------------|----|------------|
| 10902424 | | 1 | SCREW |
| 11193874 | | 12 | LOCK WASHE |
| 11197774 | | 1 | LOCK WASHE |
| 11260611 | | 1 | NUT |
| 13000490 | | 2 | COLLAR |
| 13517224 | | 6 | STUD |
| 16043624 | | 4 | SCREW |
| 16043924 | | 2 | SCREW |
| 16100811 | | 6 | NUT |
| 16500311 | ● 005040812740 (1) | 1 | BOLT, BANJ |
| 16507611 | | 1 | RING |
| 4724729 | | 1 | RING |
| 4754153 | | 1 | FLANGE |
| 4755435 | | 1 | BRACKET |
| 4755436 | | 1 | BRACKET |
| 4772720 | | 1 | STANDPIPE |
| 4858609 | | 1 | GASKET |
| 500326409 | | 1 | TURBOCHARG |
| 8009489 | | 1 | GASKET |
| 8107921 | | 1 | FLANGE |
| 98401046 | | 1 | GASKET |
| 98415922 | | 1 | GASKET |
| 98415923 | | 1 | GASKET |
| 98420478 | | 1 | SLEEVE |
| 98428396 | | 1 | GASKET |
| 98482093 | | 1 | GASKET |
| 98491312 | | 4 | SCREW |

CLICK HERE TO **DOWNLOAD** THE COMPLETE MANUAL

- Thank you very much for reading the preview of the manual.
- You can download the complete manual from: www.heydownloads.com by clicking the link below

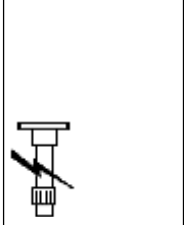


- Please note: If there is no response to CLICKING the link, please download this PDF first and then click on it.

CLICK HERE TO **DOWNLOAD** THE COMPLETE MANUAL

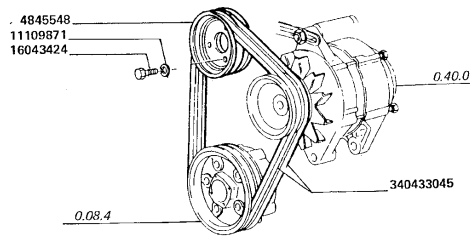
Engine

MTB "L" L 518 ; L 520



FAN

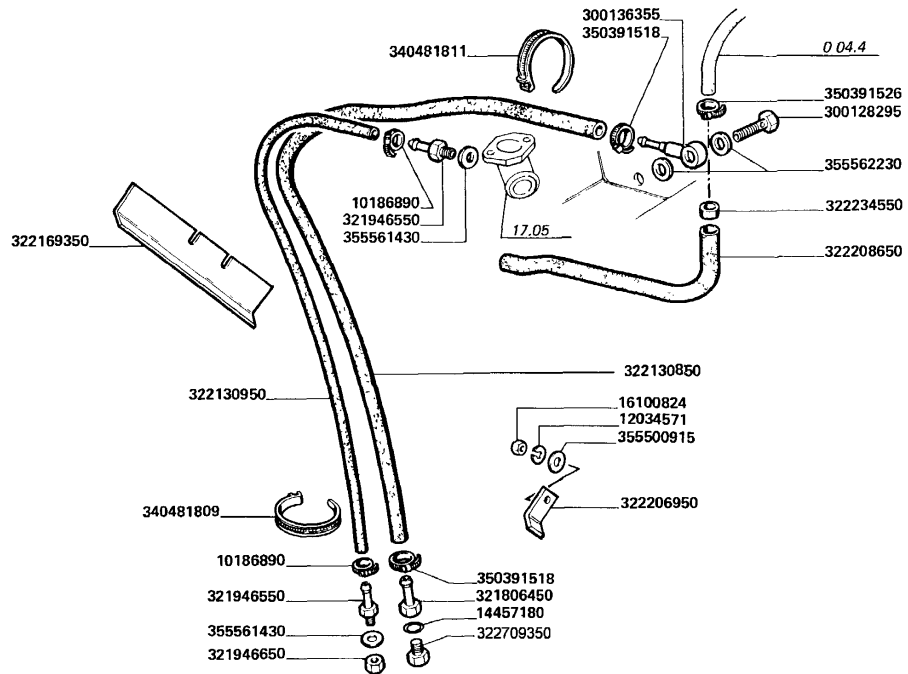
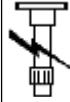
- 11198071 ● 003555009150 (3) 3 LOCK WASHE
- 16043424 3 SCREW
- 4845548 1 PULLEY



ENGINE INSTALLATION

ENGINE INSTALLATION page5

MTB "L" L 518 ; L 520

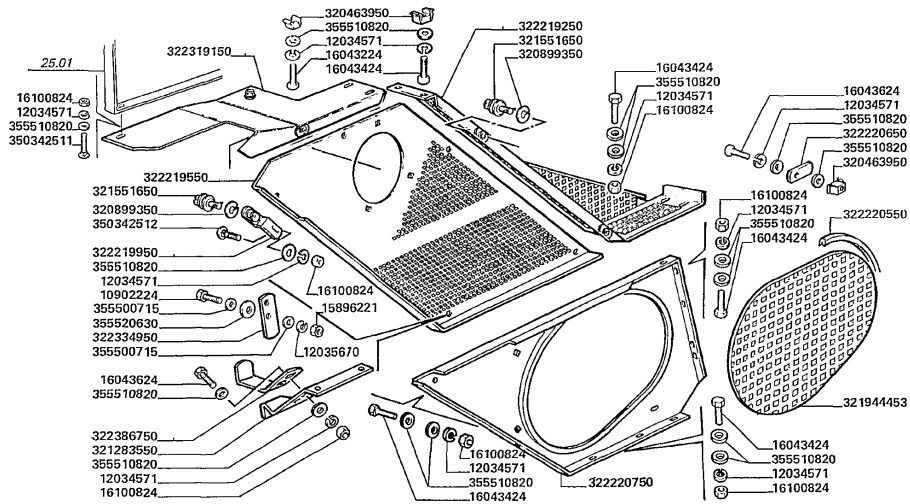
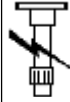


- | | | |
|-----------|--------------------|-----------------|
| 10186890 | | 2 CLAMP |
| 12034571 | | 21 LOCK WASHE |
| 14457180 | | 1 O-RING |
| 16100811 | | 13 NUT |
| 300128295 | | 1 BOLT, BANJ |
| 300136355 | | 1 BOLT, BANJ |
| 320479650 | ● 003227093500 (1) | 1 PLUG |
| 321806450 | | 1 BOLT, BANJ |
| 321946550 | | 2 BOLT, BANJ |
| 321946650 | | 1 PLUG |
| 322130850 | ● 003227094500 (1) | 1 PIPE |
| 322130950 | | 1 PIPE |
| 322169350 | | 1 SHIELD |
| 322206950 | | 1 BRACKET, S |
| 322208650 | | 1 HOSE,FLEXIBLE |
| 322234550 | | 1 BUSH |
| 340481809 | | 5 CLAMP |
| 340481811 | | 2 CLAMP |
| 350391518 | | 2 COLLAR |
| 350391526 | | 1 CLAMP |
| 355500915 | | 3 WASHER |
| 355561430 | | 2 WASHER |
| 355562230 | | 2 WASHER |

Guard

R.H. FRONT SIDE WALL GUARD page1

MTB "L" L 518 ; L 520

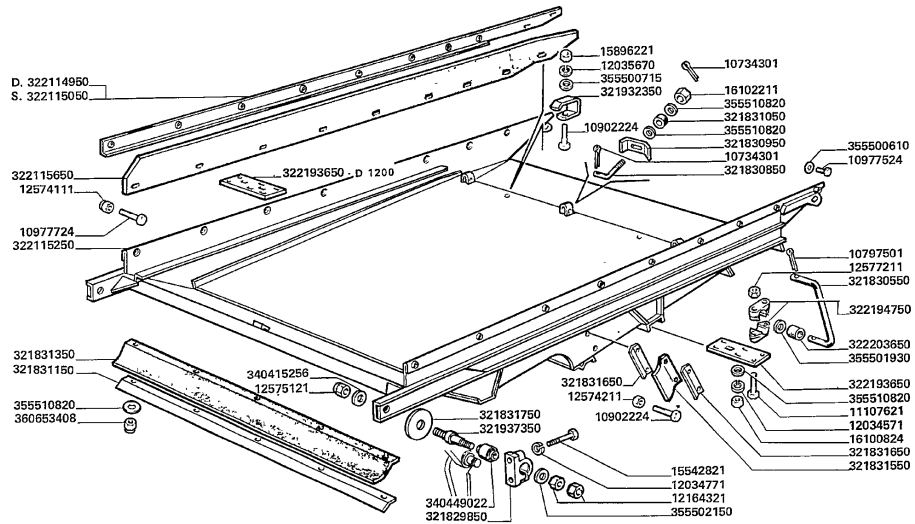


- | | | | |
|-----------|--------------------|----|------------|
| 10902224 | | 2 | SCREW |
| 12034571 | | 20 | LOCK WASHE |
| 12035670 | ● 000120356710 (2) | 2 | LOCK WASHE |
| 15896221 | | 2 | NUT |
| 16043224 | | 1 | SCREW |
| 16043424 | | 13 | SCREW |
| 16043624 | | 4 | SCREW |
| 16100824 | | 12 | NUT |
| 320463950 | | 5 | NUT |
| 320899350 | | 4 | WASHER |
| 321283550 | | 1 | CONSOLE |
| 321551650 | | 4 | STEM |
| 321944453 | | 1 | SPRING PLA |
| 322219150 | ● 003223191500 (1) | 1 | SHIELD |
| 322219250 | | 1 | SHIELD |
| 322219550 | | 1 | SHIELD |
| 322219950 | | 2 | PLATE |
| 322220550 | | 1 | GASKET |
| 322220650 | | 2 | BASE PLATE |
| 322220750 | ● 003222204500 (1) | 1 | SHIELD |
| 322386750 | | 1 | PLATE |
| 350342511 | | 1 | SCREW |
| 350342512 | | 1 | SCREW |
| 355500715 | | 4 | WASHER |
| 355510820 | | 29 | WASHER |
| 355520630 | | 2 | WASHER |

Guard

LOWER SHAKER SHOE page1

MTB "L" L 518 ; L 520

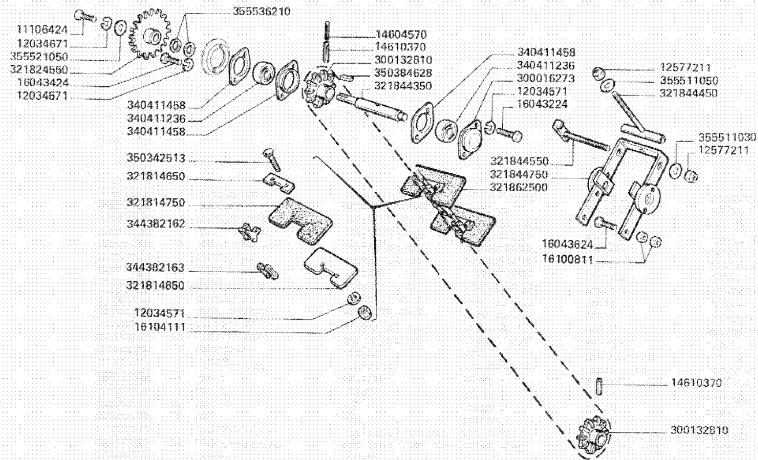


- 322194750
- 322203650
- 340415256
- 340449022
- 355500610
- 355500715
- 355501930
- 355502150
- 355510820
- 360653408
- 003555006150 (2)
- 8 SUPPORT
- 4 BUSH
- 2 WASHER
- 2 SILENTBLOC
- 2 WASHER
- 19 WASHER
- 4 WASHER
- 2 WASHER
- 19 WASHER
- 5 NUT

Guard

GRAIN ELEVATOR (ANTHWEAR)

MTB "L" L 518 ; L 520



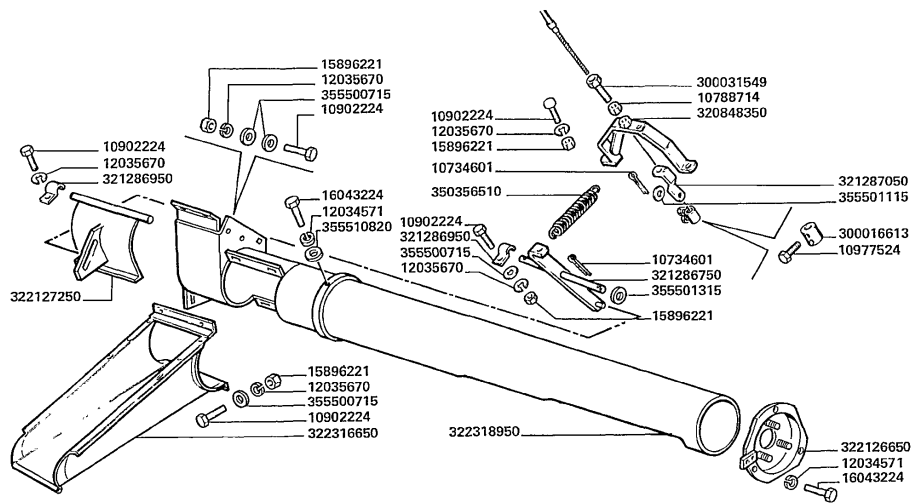
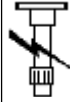
- 11106424
- 12034571
- 12034671
- 12577211
- 14604570
- 14610370
- 16043224
- 16043424
- 16043624
- 16100824
- 16104111
- 300016273
- 300132810
- 321814650
- 321814750
- 321814850
- 321824550
- 321844350
- 321844450
- 321844550
- 321844750
- 321862500
- 340411236
- 340411458
- 344382162
- 344382163
- 350342513
- 350384628
- 355511030
- 355511050
- 355521050
- 355536210
- 1 SCREW
- 99 LOCK WASHE
- 3 LOCK WASHE
- 2 NUT
- 1 PLUG
- 2 PLUG
- 6 SCREW
- 20 SCREW
- 3 SCREW
- 29 NUT
- 68 NUT
- 1 FLANGE
- 2 GEAR
- 34 STRAP
- 34 PADDLE
- 34 REINFORCEM
- 1 GEAR
- 1 SHAFT
- 1 TIE ROD
- 1 TIE ROD
- 1 CHAIN ADJU
- 1 CHAIN
- 2 BEARING
- 3 FLANGE
- 34 CONNECTING
- 1 CONNECTING
- 68 SCREW
- 1 KEY
- 1 WASHER
- 1 WASHER
- 1 WASHER
- 3 WASHER

● 003001328103 (2)

Guard

TAILINGS ELEVATOR (ANTHWEAR)

MTB "L" L 518 ; L 520

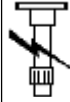


- 10734601
 - 10788714
 - 10902224
 - 10977524
 - 12034571
 - 12035670
 - 15896221
 - 16043224
 - 300016613
 - 300031549
 - 320848350
 - 321286750
 - 321286950
 - 321287050
 - 322126650
 - 322127250
 - 322316650
 - 322318950
 - 350356510
 - 355500715
 - 355501115
 - 355501315
 - 355510820
 - 300031549
 - 10788714
 - 320848350
 - 321287050
 - 355501115
 - 300016613
 - 10977524
 - 10734601
 - 321286750
 - 355501315
 - 15896221
 - 322127250
 - 15896221
 - 12035670
 - 355500715
 - 10902224
 - 322316650
 - 322318950
 - 322126650
 - 12034571
 - 16043224
- 3 LINCH PIN
 - 1 NUT
 - 40 SCREW
 - 2 SCREW
 - 97 LOCK WASHE
 - 84 LOCK WASHE
 - 80 NUT
 - 4 SCREW
 - 1 CONNECTOR
 - 1 SCREW
 - 1 STIRRUP
 - 1 COUNTER WE
 - 4 BRIDLE
 - 1 BRACKET, S
 - 1 SUPPORT
 - 1 LID
 - 1 TROUGH
 - 1 PLATE
 - 1 SPRING
 - 117 WASHER
 - 1 WASHER
 - 2 WASHER
 - 11 WASHER

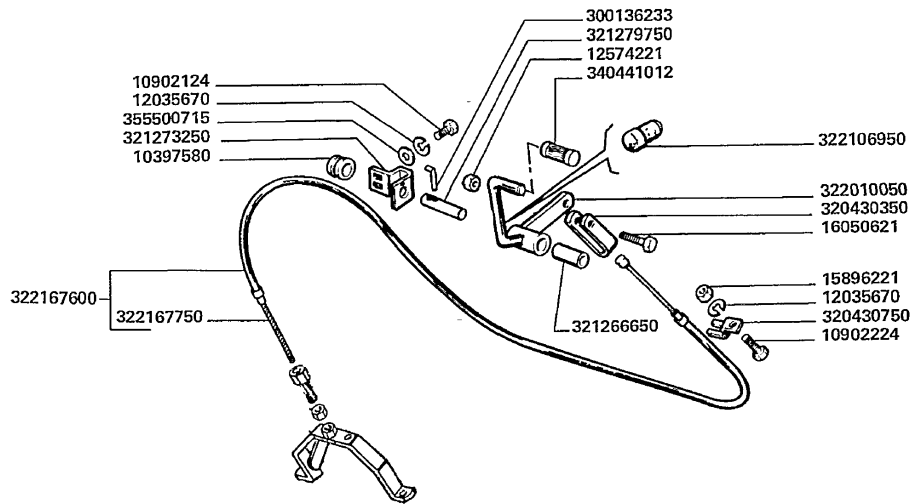
● 000120356710 (84)

Guard

MTB "L" L 518 ; L 520



TAILINGS ELEVATOR (ANTHWEAR)

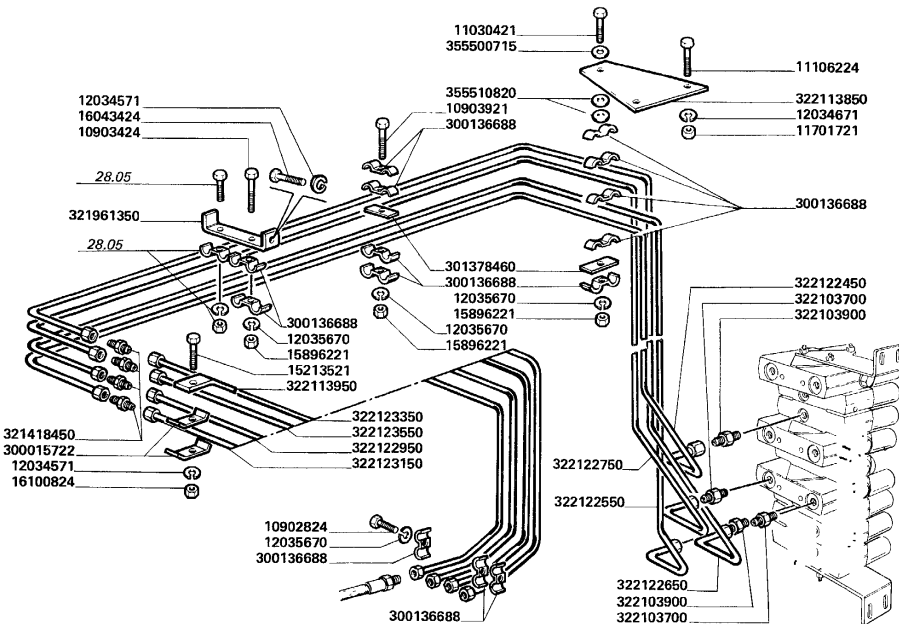
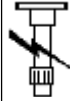


- 10397580
- 10902124
- 10902224
- 12035670
- 12574221
- 15896221
- 16050621
- 300136233
- 320430350
- 320430750
- 321266650
- 321273250
- 321279750
- 322010050
- 322106950
- 322167600
- 322167750
- 340441012
- 355500715
- 000120356710 (84)
- 1 RING
- 44 SCREW
- 40 SCREW
- 84 LOCK WASHE
- 1 NUT
- 80 NUT
- 1 SCREW
- 1 DOWEL
- 1 BRIDLE
- 1 BRACKET, S
- 1 BUSH
- 1 SUPPORT
- 1 PIN
- 1 PEDAL
- 1 PLUG
- 1 CABLE
- 1 ROPE
- 1 PAD,RUBBER
- 117 WASHER

Hydraulic system

REEL CIRCUIT HYDRAULIC page1

MTB "L" L 518 ; L 520

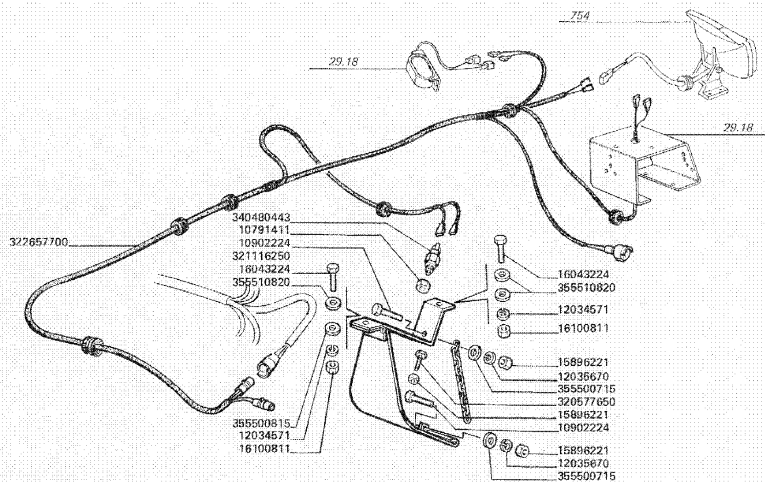


- 10902824 1 SCREW
- 10903424 4 SCREW
- 11030421 1 SCREW
- 11106224 2 SCREW
- 11701721 2 NUT
- 12034571 4 LOCK WASHE
- 12034671 2 LOCK WASHE
- 12035670 ● 000120356710 (7) 7 LOCK WASHE
- 15213521 2 SCREW
- 15896221 6 NUT
- 16043424 4 SCREW
- 16100824 1 NUT
- 300015722 4 BRIDLE
- 300136688 14 BRIDLE
- 301378460 2 BRIDLE
- 321418450 0 UNION
- 321961350 2 BRIDLE
- 322103700 2 UNION
- 322103900 0 UNION
- 322113850 1 SUPPORT
- 322113950 2 SUPPORT
- 322122450 1 PIPE
- 322122550 1 PIPE
- 322122650 1 PIPE
- 322122750 1 PIPE
- 322122950 1 PIPE
- 322123550 1 PIPE
- 355500715 1 WASHER
- 355510820 2 WASHER

Straw walkers

REAR BODY page2

MTB "L" L 518 ; L 520

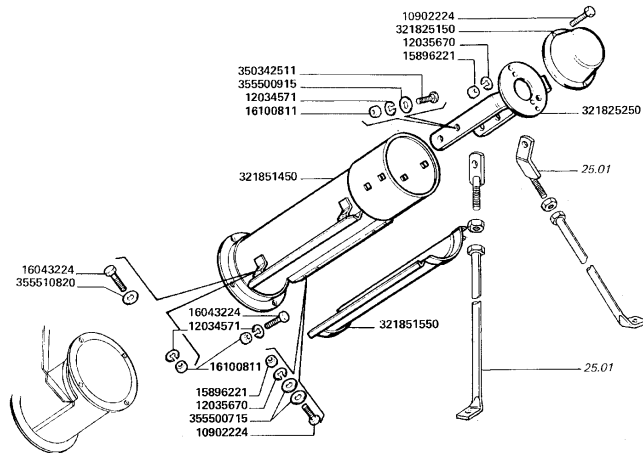
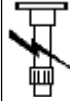


- | | | |
|-----------|--------------------|---------------|
| 10791411 | | 1 NUT |
| 10902224 | | 6 SCREW |
| 12034571 | | 42 LOCK WASHE |
| 12035670 | ● 000120356710 (6) | 6 LOCK WASHE |
| 15896221 | | 7 NUT |
| 16043224 | | 2 SCREW |
| 16100811 | | 37 NUT |
| 320577650 | | 1 REGULATOR, |
| 321116250 | | 1 SUPPORT |
| 322657700 | | 1 WIRE/CABLE |
| 340480443 | | 1 BUTTON |
| 355500715 | | 6 WASHER |
| 355500815 | | 1 WASHER |
| 355510820 | | 86 WASHER |

Tank and fairings

TANK FEED page2

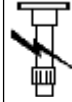
MTB "L" L 518 ; L 520



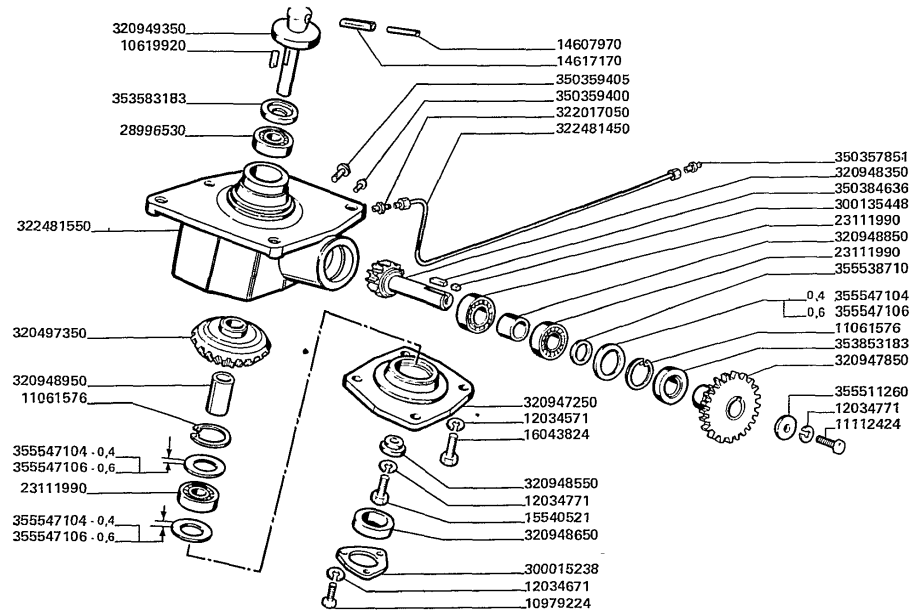
- | | | |
|-----------|---------------------|---------------|
| 10902224 | | 8 SCREW |
| 12034571 | | 25 LOCK WASHE |
| 12035670 | ● 000120356710 (16) | 16 LOCK WASHE |
| 15896221 | | 14 NUT |
| 16043224 | | 14 SCREW |
| 16100811 | | 25 NUT |
| 321825150 | | 1 COVER |
| 321825250 | | 1 BACKBONE |
| 321851450 | | 1 PIPE |
| 321851550 | | 1 HATCH |
| 350342511 | | 4 SCREW |
| 355500715 | | 16 WASHER |
| 355500915 | | 13 WASHER |
| 355510820 | | 2 WASHER |

Tank and fairings

MTB "L" L 518 ; L 520



LOWER CASE ELEMENTS

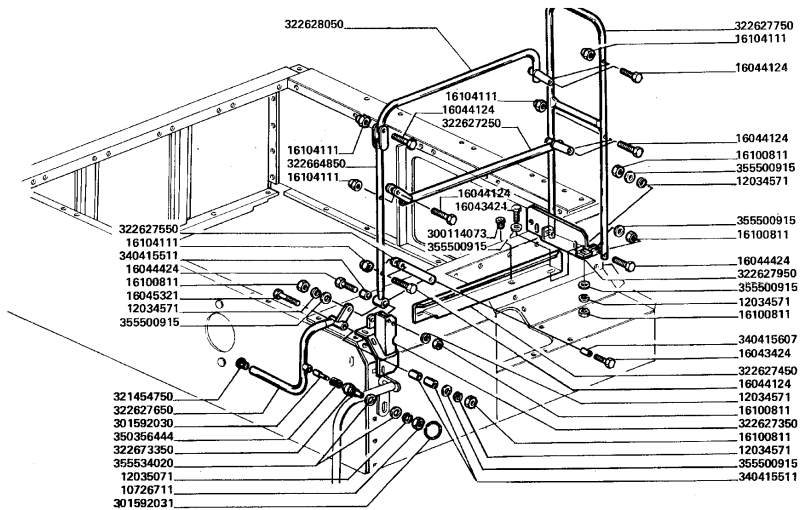


- | | |
|-----------|--------------|
| 10619920 | 1 KEY |
| 10979224 | 3 SCREW |
| 11061576 | 2 SPRING LOC |
| 11112424 | 1 SCREW |
| 12034571 | 4 LOCK WASHE |
| 12034671 | 3 LOCK WASHE |
| 12034771 | 2 LOCK WASHE |
| 14607970 | 1 PLUG |
| 14617170 | 1 PLUG |
| 15540521 | 1 SCREW |
| 16043824 | 4 SCREW |
| 23111990 | 3 BEARING |
| 28996530 | 1 BEARING |
| 300015238 | 1 FLANGE |
| 300135448 | 1 GASKET |
| 320947250 | 1 COVER BOX |
| 320947350 | 1 PINION |
| 320947850 | 1 GEAR |
| 320948350 | 1 PINION |
| 320948550 | 1 WASHER |
| 320948650 | 1 SPACER |
| 320948850 | 1 SPACER |
| 320948950 | 1 SPACER |
| 320949350 | 1 SHAFT |
| 350357851 | 1 NIPPLE, LU |
| 350359400 | 1 PLUG |
| 350359405 | 1 PLUG |
| 350384636 | 1 KEY |
| 353583183 | 2 GASKET |
| 355511260 | 1 WASHER |
| 355538710 | 2 WASHER |
| 355547104 | 6 WASHER |
| 355547106 | 6 WASHER |

Tank and fairings

GRAIN TANK (SCHUTZ)

MTB "L" L 518 ; L 520

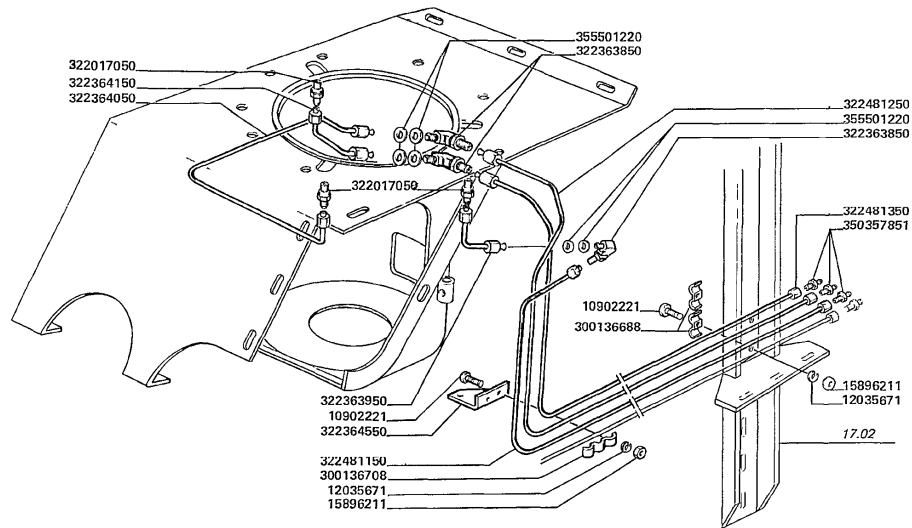


- | | |
|-----------|---------------|
| 10726711 | 1 NUT |
| 12034571 | 95 LOCK WASHE |
| 12035071 | 5 LOCK WASHE |
| 16043424 | 0 SCREW |
| 16044124 | 6 SCREW |
| 16045321 | 1 SCREW |
| 16100824 | 76 NUT |
| 16104111 | 3 NUT |
| 301592030 | 1 RUNG |
| 301592031 | 1 RING |
| 321454750 | 1 PLUG |
| 322627450 | 1 PLATE |
| 322627550 | 1 CONROD |
| 322627650 | 1 LEVER |
| 322627750 | 1 SHIELD |
| 322627950 | 1 ANGULAR |
| 322628050 | 1 SHIELD |
| 322664850 | 1 SHIELD |
| 322673350 | 1 SUPPORT |
| 340415511 | 3 BUSH |
| 340415607 | 1 BUSH |
| 350356444 | 1 SPRING |
| 355500915 | 5 WASHER |
| 355534020 | 2 WASHER |

Tank and fairings

GRAIN TANK UNLOADING VERTICAL TUBE page5

MTB "L" L 518 ; L 520



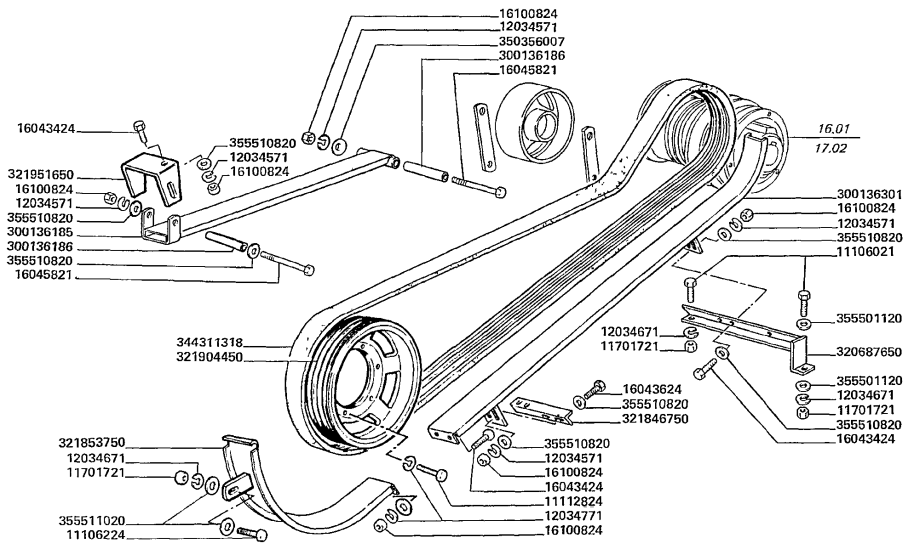
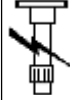
- 10902221
- 12035671
- 15896211
- 300136688
- 300136708
- 322017050
- 322363850
- 322363950
- 322364050
- 322364150
- 322364550
- 322481150
- 322481250
- 322481350
- 350357851
- 355501220
- 12 SCREW
- 13 LOCK WASHE
- 12 NUT
- 2 BRIDLE
- 1 BRIDLE
- 3 UNION
- 3 UNION
- 1 STANDPIPE
- 1 STANDPIPE
- 1 STANDPIPE
- 1 BRACKET, S
- 1 PIPE
- 1 PIPE
- 1 PIPE
- 3 NIPPLE, LU
- 6 WASHER

● 003555012300 (6)

Thresher

THRESING MECHANISM DRIVE page4

MTB "L" L 518 ; L 520

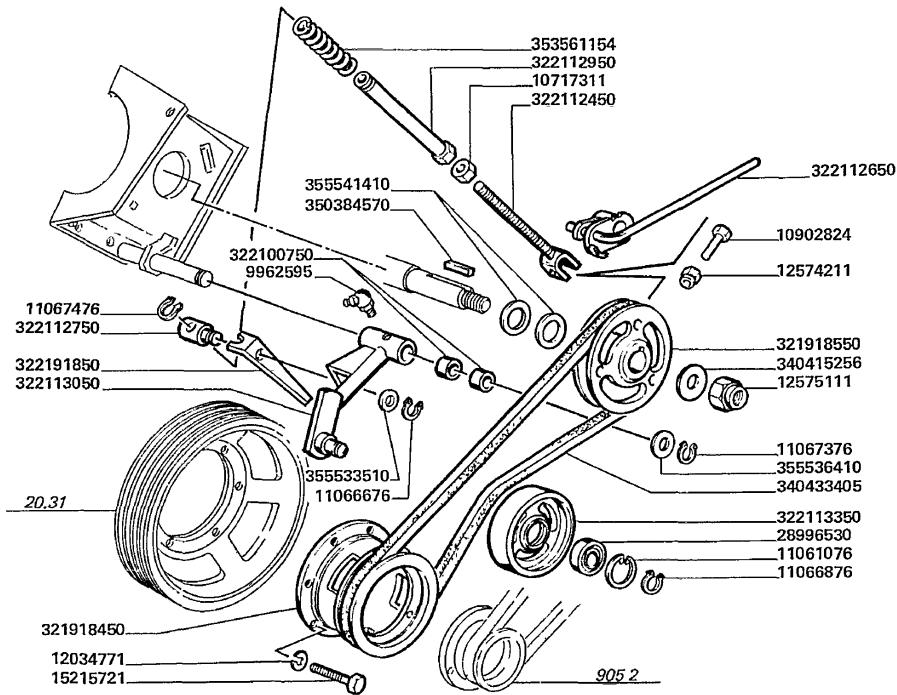


- | | | |
|-----------|----|------------|
| 11106021 | 1 | SCREW |
| 11106224 | 1 | SCREW |
| 11112824 | 6 | SCREW |
| 11701721 | 4 | NUT |
| 12034571 | 21 | LOCK WASHE |
| 12034671 | 4 | LOCK WASHE |
| 12034771 | 6 | LOCK WASHE |
| 16043424 | 6 | SCREW |
| 16043624 | 12 | SCREW |
| 16045821 | 2 | SCREW |
| 16100824 | 19 | NUT |
| 300136185 | 1 | SKATE |
| 300136186 | 2 | SPACER |
| 300136301 | 1 | SKATE |
| 320687650 | 1 | ANGULAR |
| 321846750 | 1 | SUPPORT |
| 321853750 | 1 | SKATE |
| 321904450 | 1 | PULLEY |
| 321951650 | 1 | SUPPORT |
| 344311318 | 1 | BELT |
| 350356007 | 1 | SPRING |
| 355501120 | 2 | WASHER |
| 355510820 | 21 | WASHER |
| 355511020 | 2 | WASHER |

Thresher

MULTI CROP SEPARATOR page 1

MTB "L" L 518 ; L 520



- 10717311 1 NUT
- 10902824 1 SCREW
- 11061076 1 SPRING LOC
- 11066676 1 SPRING LOC
- 11067376 1 SPRING LOC
- 11067476 1 SPRING LOC
- 11067876 1 SPRING LOC
- 12034771 60 LOCK WASHE
- 12574211 3 NUT
- 12575111 1 NUT
- 15215721 6 SCREW
- 28996530 1 BEARING
- 321918450 1 PULLEY
- 321918550 1 PULLEY DRI
- 322100750 2 BEARING
- 322112450 1 TIE ROD
- 322112650 1 LEVER
- 322112950 1 THIMBLE
- 322113050 1 COUNTER WE
- 322113350 1 TENSIONER,
- 322191850 1 INDEX SPRI
- 340415256 1 WASHER
- 340433405 1 BELT
- 350384570 1 KEY
- 353561154 1 SPRING
- 355533510 1 WASHER
- 355536410 1 WASHER
- 9962595 1 NIPPLE, LU

CLICK HERE TO **DOWNLOAD** THE COMPLETE MANUAL

- Thank you very much for reading the preview of the manual.
- You can download the complete manual from: www.heydownloads.com by clicking the link below



- Please note: If there is no response to CLICKING the link, please download this PDF first and then click on it.

CLICK HERE TO **DOWNLOAD** THE COMPLETE MANUAL