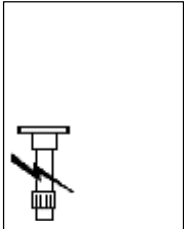
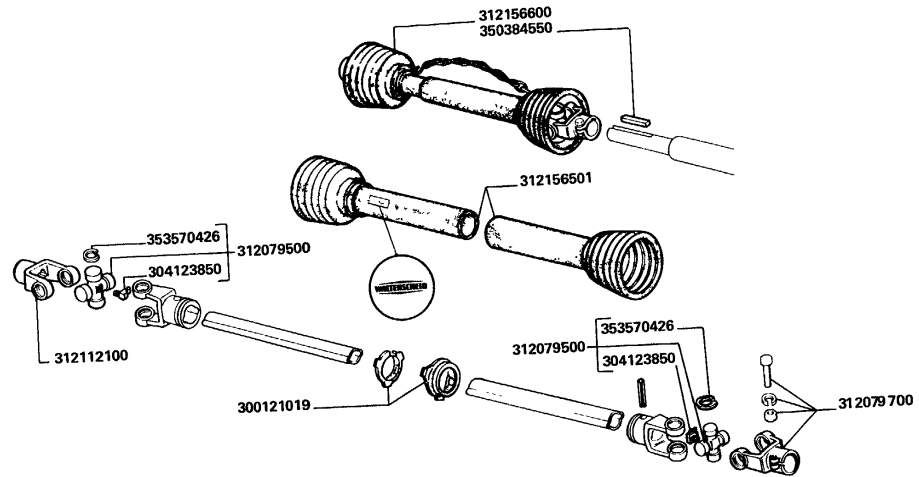


Tools

BG "E" E420



# CARDANIC SHAFT



- |           |                    |              |
|-----------|--------------------|--------------|
| 300121019 |                    | 2 RING       |
| 304123850 |                    | 1 NIPPLE, LU |
| 312079500 |                    | 2 SPIDER     |
| 312079700 |                    | 1 YOKE       |
| 312112100 |                    | 1 YOKE       |
| 312156501 | ● 000099629220 (1) | 1 REPLACE    |
|           | 000099629280 (1)   |              |
| 312156600 | ● 003223627000 (1) | 1 CARDANIC S |
| 350384550 |                    | 1 KEY        |
| 353570426 | ● 000099212270 (4) | 4 SPRING LOC |

CLICK HERE TO **DOWNLOAD** THE COMPLETE MANUAL

- Thank you very much for reading the preview of the manual.
- You can download the complete manual from: [www.heydownloads.com](http://www.heydownloads.com) by clicking the link below



- Please note: If there is no response to CLICKING the link, please download this PDF first and then click on it.

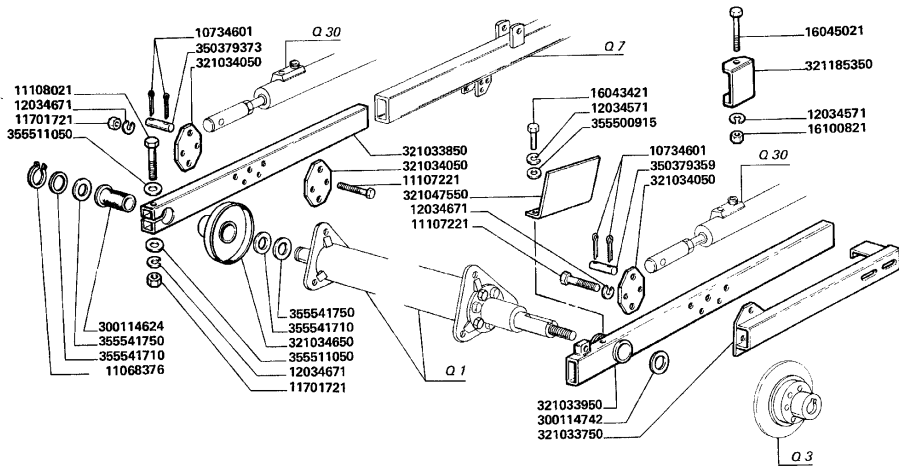
CLICK HERE TO **DOWNLOAD** THE COMPLETE MANUAL

Tools

BG "E" E420



REEL ARM MOVABLE

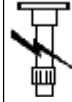


- 10734601
  - 11068376
  - 11107221
  - 11108021
  - 11701721
  - 12034571
  - 12034671
  - 16043421
  - 16045021
  - 16100821
  - 300114624
  - 300114742
  - 321033750
  - 321033850
  - 321033950
  - 321034050
  - 321034650
  - 321047550
  - 321185350
  - 350379359
  - 350379373
  - 355500915
  - 355511050
  - 355511050
  - 355511750
- 4 LINCH PIN
  - 1 SPRING LOC
  - 6 SCREW
  - 1 SCREW
  - 4 NUT
  - 3 LOCK WASHE
  - 7 LOCK WASHE
  - 1 SCREW
  - 2 SCREW
  - 2 NUT
  - 2 BUSH
  - 2 WASHER
  - 1 SUPPORT
  - 1 ARM
  - 1 ARM
  - 3 PLATE
  - 1 SUPPORT
  - 1 PROTECTION
  - 2 BRIDLE
  - 1 DOWEL
  - 1 DOWEL
  - 1 WASHER
  - 2 WASHER
  - 3 WASHER
  - 3 WASHER
- 000160450240 (2)
  - 003210338503 (1)

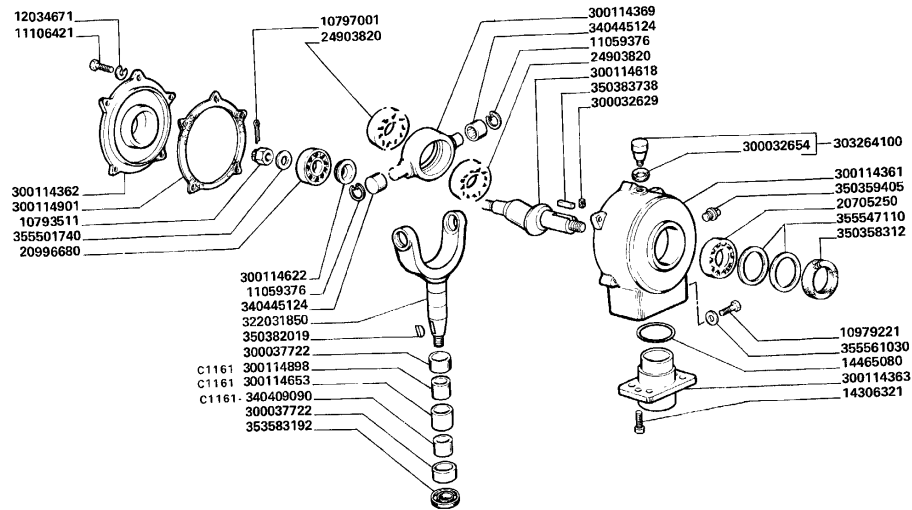


Tools

BG "E" E420

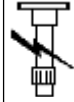


WOBBLE BOX ELEMENTS



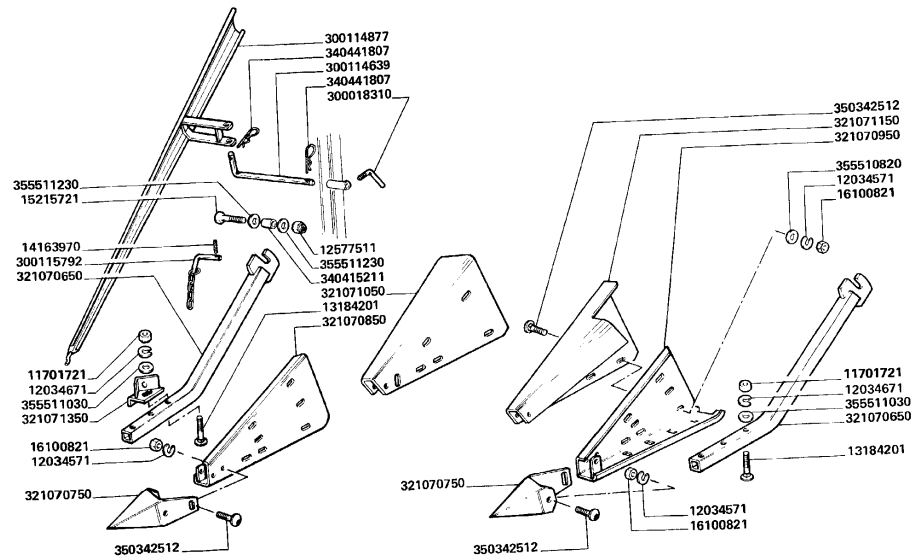
- |           |                    |              |
|-----------|--------------------|--------------|
| 10793511  | ● 000107935200 (1) | 1 NUT        |
| 10797001  |                    | 1 LINCH PIN  |
| 10979221  |                    | 1 SCREW      |
| 11059376  |                    | 2 SPRING LOC |
| 11106421  |                    | 3 SCREW      |
| 12034671  |                    | 3 LOCK WASHE |
| 14306321  |                    | 2 SCREW      |
| 14465080  |                    | 1 O-RING     |
| 20705250  |                    | 1 BEARING    |
| 20996680  |                    | 1 BEARING    |
| 24903820  |                    | 2 BEARING    |
| 300032629 |                    | 1 PAD        |
| 300032654 |                    | 1 GASKET     |
| 300037722 |                    | 2 BEARING    |
| 300114361 |                    | 1 BOX        |
| 300114362 |                    | 1 COVER BOX  |
| 300114363 |                    | 1 HUB        |
| 300114369 |                    | 1 BOX        |
| 300114618 |                    | 1 ECCENTRIC  |
| 300114622 |                    | 1 WASHER     |
| 300114653 |                    | 1 SPACER     |
| 300114898 |                    | 1 RING       |
| 300114901 | ● 003217425500 (1) | 1 GASKET     |
| 303264100 | ● 004008531090 (1) | 1 PLUG       |
| 322031850 |                    | 1 SHAFT      |
| 340409090 |                    | 1 RING       |
| 340445124 |                    | 2 CAPSULE    |
| 350358312 |                    | 1 GASKET     |
| 350359405 |                    | 1 PLUG       |
| 350382019 |                    | 1 KEY        |
| 350383738 |                    | 1 KEY        |

Tools



BG "E" E420

FLOATING DIVIDERS



- 11701721
- 12034571
- 12034671
- 12577511
- 13184201
- 14163970
- 15215721
- 16100824
- 300018310
- 300114639
- 300114877
- 300115792
- 321070650
- 321070750
- 321070850
- 321070950
- 321071050
- 321071150
- 321071350
- 340415211
- 340441807
- 350342512
- 355510820
- 355511030
- 355511230

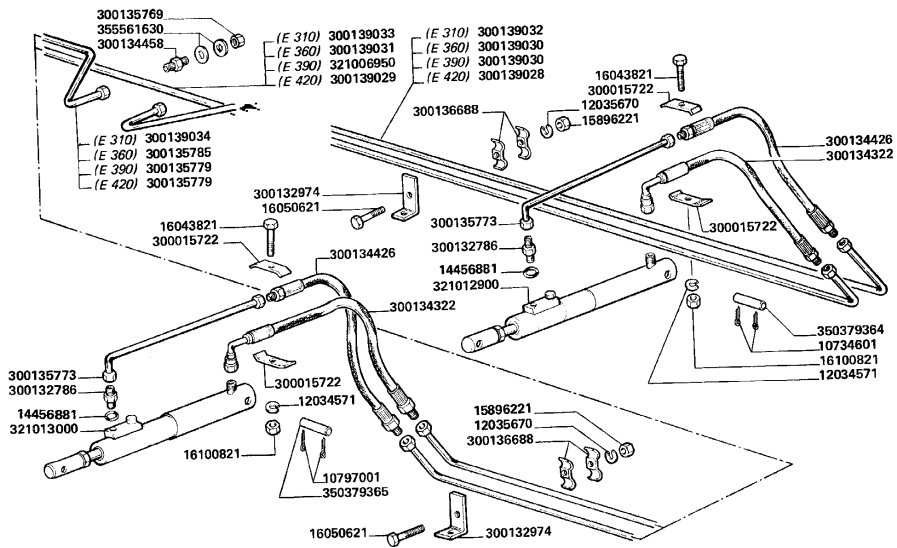
- 4 NUT
- 10 LOCK WASHE
- 4 LOCK WASHE
- 2 NUT
- 4 SCREW
- 2 PLUG
- 2 SCREW
- 10 NUT
- 1 PIN
- 1 PIN
- 1 DIVIDER
- 2 LATCH
- 2 ARM
- 2 POINT
- 1 SHOE
- 1 SHOE
- 1 DIVIDER
- 1 DIVIDER
- 1 BRACKET, S
- 2 BUSH
- 2 LATCH
- 10 SCREW
- 6 WASHER
- 3 WASHER
- 4 WASHER

Tools

BG "E" E420



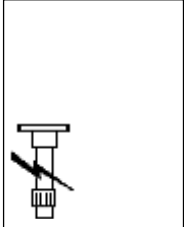
ADVANCEMENT REEL TUBINGS



- |           |                    |              |
|-----------|--------------------|--------------|
| 10734601  |                    | 2 LINCH PIN  |
| 10797001  |                    | 2 LINCH PIN  |
| 12034571  |                    | 2 LOCK WASHE |
| 12035670  | ● 000120356710 (4) | 4 LOCK WASHE |
| 14456881  |                    | 2 O-RING     |
| 15896221  |                    | 4 NUT        |
| 16043821  |                    | 2 SCREW      |
| 16050621  |                    | 4 SCREW      |
| 16100821  |                    | 2 NUT        |
| 300015722 |                    | 4 BRIDLE     |
| 300132786 |                    | 2 UNION      |
| 300132974 |                    | 4 BRIDLE     |
| 300134322 |                    | 2 HOSE       |
| 300134426 |                    | 2 HOSE       |
| 300134458 |                    | 2 UNION      |
| 300135769 |                    | 2 PLUG       |
| 300135773 |                    | 2 PIPE       |
| 300135779 |                    | 1 PIPE       |
| 300135785 |                    | 1 PIPE       |
| 300136688 |                    | 4 BRIDLE     |
| 300139028 |                    | 1 PIPE       |
| 300139029 |                    | 1 PIPE       |
| 300139030 |                    | 1 PIPE       |
| 300139031 |                    | 1 PIPE       |
| 300139032 |                    | 1 PIPE       |
| 300139033 |                    | 1 PIPE       |
| 300139034 |                    | 1 PIPE       |
| 321006950 |                    | 1 PIPE       |
| 321012900 |                    | 1 JACK       |
| 321013000 |                    | 1 JACK       |
| 350379364 |                    | 1 DOWEL      |
| 350379365 |                    | 1 DOWEL      |
| 355561630 |                    | 4 WASHER     |

VARIOUS

BG "E" E420

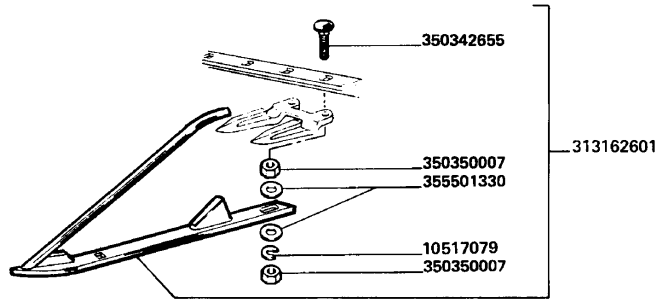


AER LIFTER 313162601

- E 310 n. 9
- E 360 n. 11
- E 390 n. 12
- E 420 n. 13
- E 480 n. 15
- E 540 n. 17
- E 600 n. 19
- E 660 n. 21
- E 760 n. 25

- 10517079
- 313162601
- 350342655
- 350350007
- 355501330

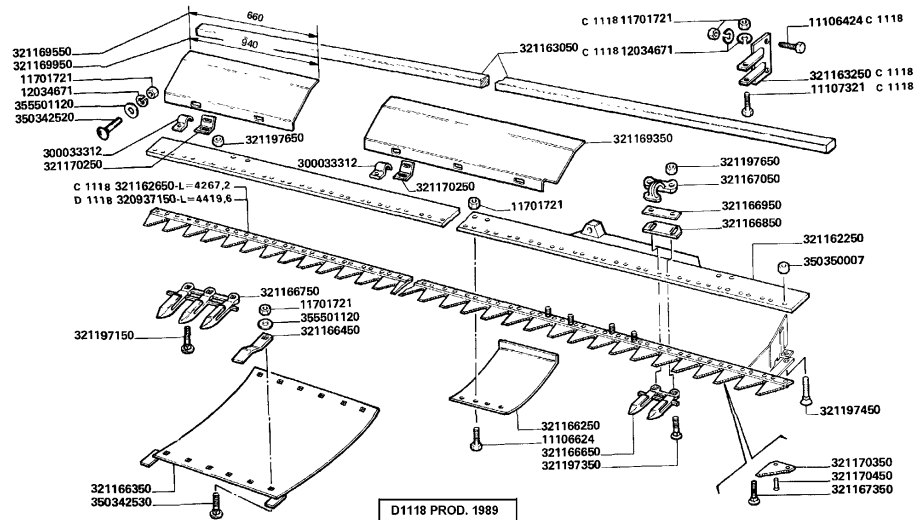
- 1 LOCK WASHE
- 1 CROP LIFTE
- 1 SCREW
- 2 NUT
- 2 WASHER



VARIOUS

CUTTER BAR (NORMAL FINGERS)

BG "E" E420

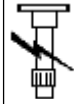


350350007  
355501120

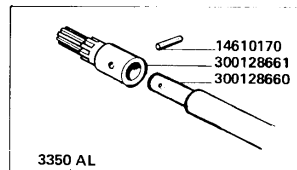
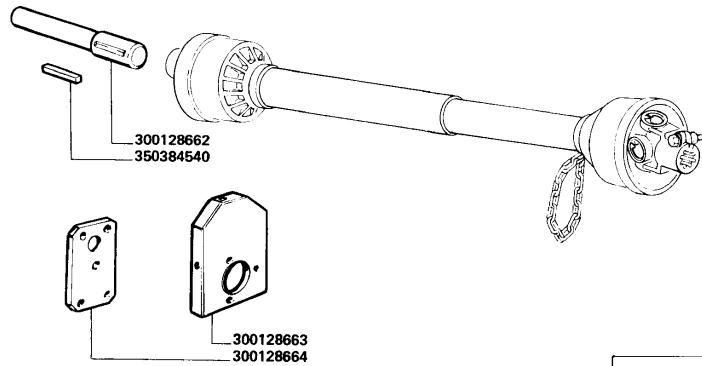
2 NUT  
13 WASHER

VARIOUS

BG "E" E420



VERTICAL KNIFE - DRIVE



14610170  
300128660  
300128661  
300128662  
300128663  
300128664  
350384540

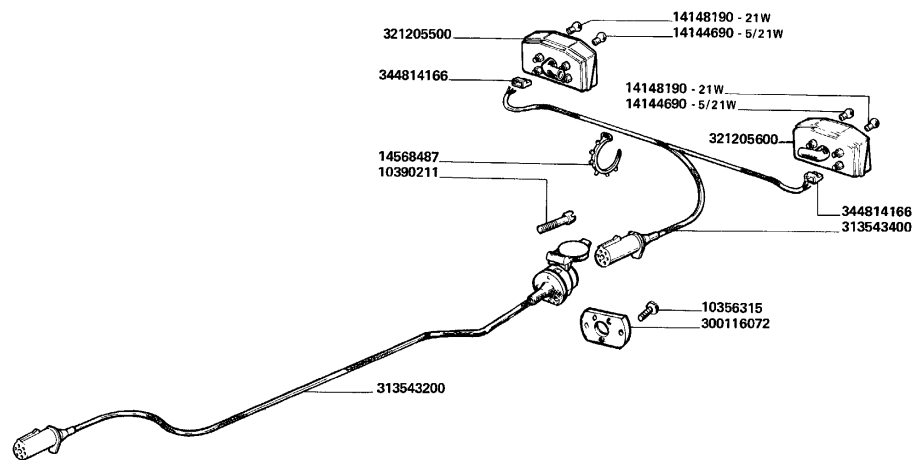
1 PLUG  
1 MAST  
1 SHAFT  
1 SHAFT  
1 CONSOLE  
1 CONSOLE  
1 KEY

VARIOUS

BG "E" E420



ELECTRIC SYSTEM



- |           |              |
|-----------|--------------|
| 10356315  | 2 SCREW      |
| 10390211  | 3 SCREW      |
| 14144690  | 2 LAMPADA    |
| 14148190  | 2 LAMPADA    |
| 300116072 | 1 FLANGE     |
| 313543200 | 1 WIRE/CABLE |
| 313543400 | 1 WIRE/CABLE |
| 321205500 | 1 HEADLAMP   |
| 321205600 | 1 HEADLAMP   |
| 340481806 | 10 CLAMP     |
| 344814166 | 2 BLOCK      |

CLICK HERE TO **DOWNLOAD** THE COMPLETE MANUAL

- Thank you very much for reading the preview of the manual.
- You can download the complete manual from: [www.heydownloads.com](http://www.heydownloads.com) by clicking the link below



- Please note: If there is no response to CLICKING the link, please download this PDF first and then click on it.

CLICK HERE TO **DOWNLOAD** THE COMPLETE MANUAL