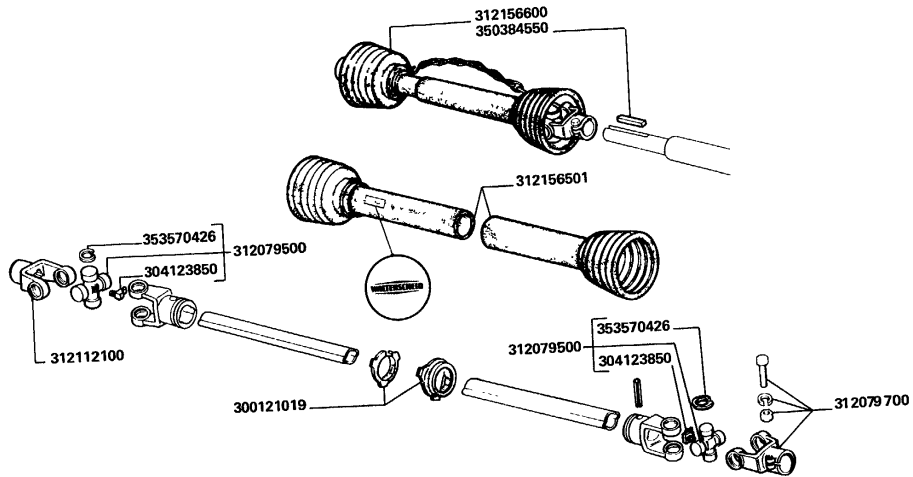


Tools

BG "E" E390



CARDANIC SHAFT



- | | | |
|-----------|--------------------|--------------|
| 300121019 | | 2 RING |
| 304123850 | | 1 NIPPLE, LU |
| 312079500 | | 2 SPIDER |
| 312079700 | | 1 YOKE |
| 312112100 | | 1 YOKE |
| 312156501 | ● 000099629220 (1) | 1 REPLACE |
| | 000099629280 (1) | |
| 312156600 | ● 003223627000 (1) | 1 CARDANIC S |
| 350384550 | | 1 KEY |
| 353570426 | ● 000099212270 (4) | 4 SPRING LOC |

CLICK HERE TO **DOWNLOAD** THE COMPLETE MANUAL

- Thank you very much for reading the preview of the manual.
- You can download the complete manual from: www.heydownloads.com by clicking the link below



- Please note: If there is no response to CLICKING the link, please download this PDF first and then click on it.

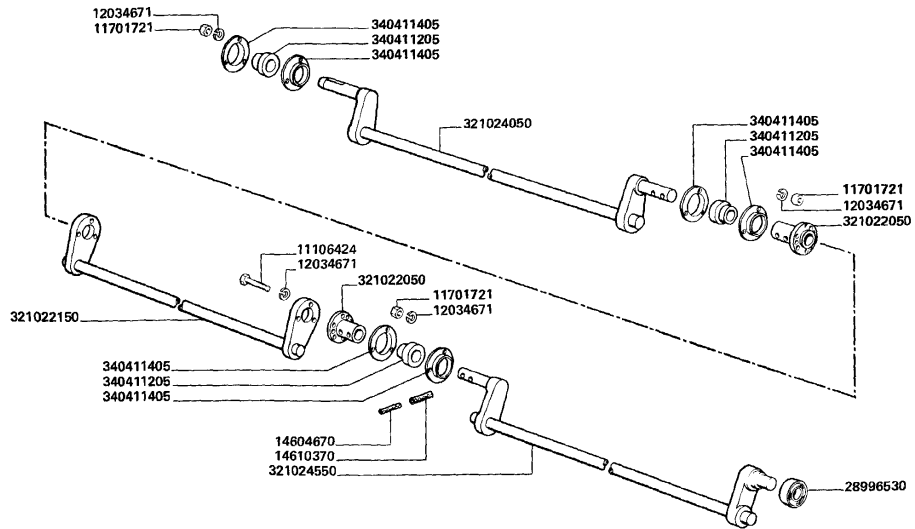
CLICK HERE TO **DOWNLOAD** THE COMPLETE MANUAL

Tools

BG "E" E390



FEEDING AUGER

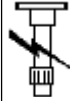


- 11106424
- 11701721
- 12034671
- 14604670
- 14610370
- 28996530
- 321022050
- 321022150
- 321024050
- 340411405
- 340411205
- 340411405
- 340411405
- 340411205
- 340411405

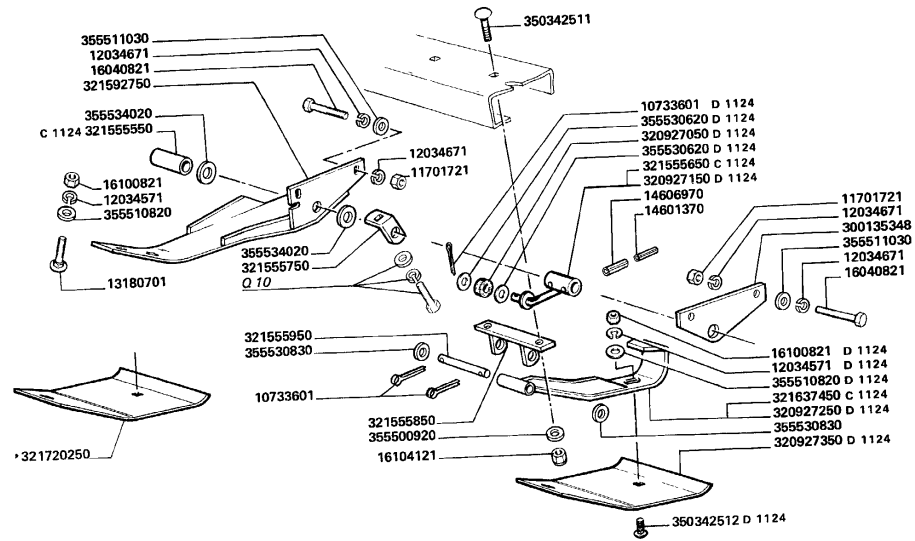
- 6 SCREW
- 9 NUT
- 21 LOCK WASHE
- 4 PLUG
- 4 PLUG
- 1 BEARING
- 2 FLANGE
- 1 SHAFT
- 1 SHAFT
- 1 SHAFT
- 3 BEARING
- 6 FLANGE COU

Tools

BG "E" E390



DEVICE FOR TABLE FLOATATION



- | | |
|-----------|---------------|
| 10733601 | 45 LINCH PIN |
| 11701721 | 4 NUT |
| 12034571 | 41 LOCK WASHE |
| 12034671 | 8 LOCK WASHE |
| 13180701 | 2 SCREW |
| 14601370 | 17 PLUG |
| 14606970 | 17 PLUG |
| 16040821 | 4 SCREW |
| 16100821 | 41 NUT |
| 16104121 | 35 NUT |
| 300135348 | 1 PLATE |
| 320927050 | 0 ROLLER |
| 320927150 | 0 FINGER |
| 320927250 | 0 SENSING FI |
| 320927350 | 0 SKATE |
| 321555550 | 1 SPACER |
| 321555650 | 0 FINGER |
| 321555750 | 0 PLATE |
| 321555850 | 0 SUPPORT |
| 321555950 | 0 PIN |
| 321592750 | 1 PLATE |
| 321637150 | 1 ANGULAR |
| 321637450 | 0 SENSING FI |
| 321720250 | 1 SKATE |
| 350342511 | 32 SCREW |
| 350342512 | 33 SCREW |
| 355500920 | 32 WASHER |
| 355510820 | 39 WASHER |
| 355511030 | 4 WASHER |
| 355530620 | 16 WASHER |
| 355530830 | 32 WASHER |
| 355534020 | 8 WASHER |

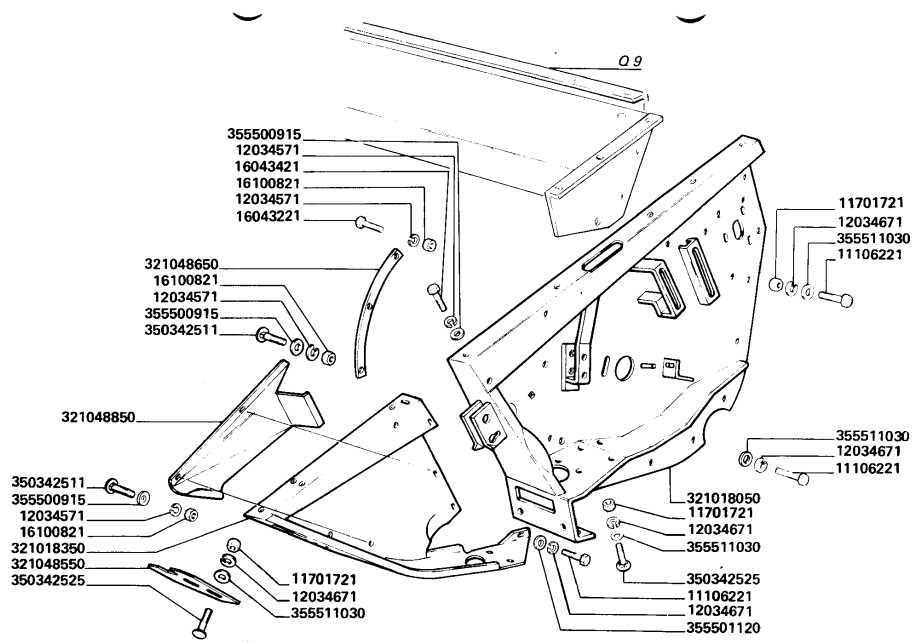
● 003227003500 (1)

Tools

BG "E" E390



PLATFORM WALL, L.H.



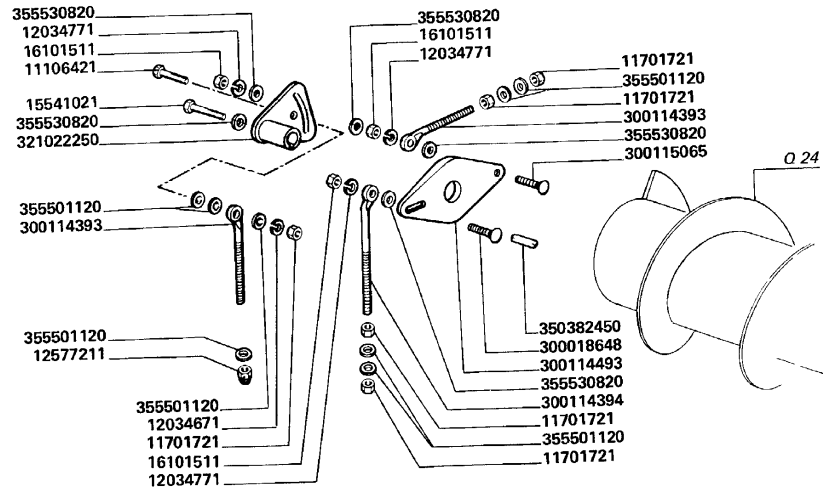
- | | | |
|-----------|--------------------|---------------|
| 11106221 | | 9 SCREW |
| 11701721 | | 4 NUT |
| 12034571 | | 11 LOCK WASHE |
| 12034671 | | 13 LOCK WASHE |
| 16043221 | | 3 SCREW |
| 16043421 | | 2 SCREW |
| 16100821 | | 9 NUT |
| 321018050 | | 1 BOARD |
| 321018350 | | 1 DIVIDER |
| 321048550 | | 1 PLATE |
| 321048650 | ● 003234806500 (1) | 1 SHIELD |
| 321048850 | ● 003226962500 (1) | 1 SHUNTER |
| 350342511 | | 4 SCREW |
| 350342525 | | 4 SCREW |
| 355500915 | | 6 WASHER |
| 355501120 | | 1 WASHER |
| 355511030 | | 12 WASHER |

Tools

BG "E" E390

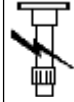


R.H. AUGER SUPPORT



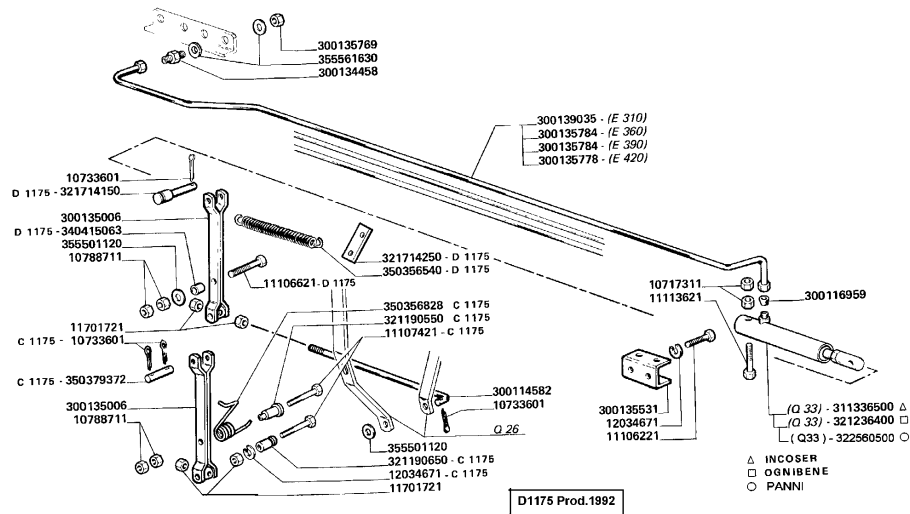
- | | |
|-----------|--------------|
| 11106421 | 1 SCREW |
| 11701721 | 5 NUT |
| 12034671 | 1 LOCK WASHE |
| 12034771 | 4 LOCK WASHE |
| 12577211 | 1 NUT |
| 15541021 | 1 SCREW |
| 16101511 | 3 NUT |
| 300018648 | 1 SCREW |
| 300114393 | 2 TIE ROD |
| 300114394 | 1 TIE ROD |
| 300114493 | 1 SUPPORT |
| 300115065 | 1 SCREW |
| 321022250 | 1 LEVER REGU |
| 350382450 | 1 KEY |
| 355501120 | 9 WASHER |
| 355530820 | 5 WASHER |

Tools



TUBING REEL VARIATOR

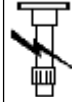
BG "E" E390



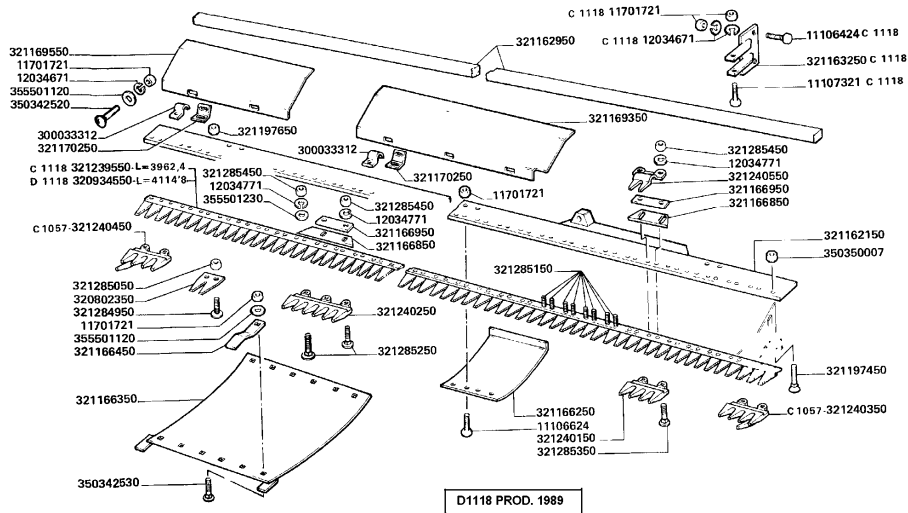
- 10717311
 - 10733601
 - 10788711
 - 11106221
 - 11106621
 - 11107421
 - 11113621
 - 11701721
 - 12034671
 - 300114582
 - 300116959
 - 300134458
 - 300135006
 - 300135531
 - 300135769
 - 300135778
 - 300135784
 - 300139035
 - 311336500
 - 321190550
 - 321190650
 - 321236400
 - 321714150
 - 321714250
 - 322560500
 - 340415063
 - 350356540
 - 350356828
 - 350379372
 - 355501120
 - 355561630
- 2 NUT
 - 2 LINCH PIN
 - 2 NUT
 - 2 SCREW
 - 1 SCREW
 - 2 SCREW
 - 1 SCREW
 - 3 NUT
 - 3 LOCK WASHE
 - 1 TIE ROD
 - 1 BUSH
 - 1 UNION
 - 1 LEVER
 - 1 SUPPORT
 - 1 PLUG
 - 1 PIPE
 - 1 PIPE
 - 1 PIPE
 - 1 JACK
 - 1 BUSH
 - 1 BUSH
 - 1 JACK
 - 1 DOWEL
 - 1 BASE PLATE
 - 1 PISTON
 - 1 BUSH
 - 1 SPRING
 - 1 SPRING
 - 1 DOWEL
 - 2 WASHER
 - 2 WASHER
- 000107887140 (2)

VARIOUS

BG "E" E390



CUTTER BAR (SPECIAL FINGERS)

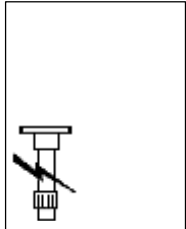


- | | |
|-----------|---------------|
| 11106424 | 10 SCREW |
| 11106624 | 4 SCREW |
| 11107321 | 5 SCREW |
| 11701721 | 15 NUT |
| 12034671 | 0 LOCK WASHE |
| 12034771 | 32 LOCK WASHE |
| 300033312 | 10 CLAMP |
| 320802350 | 54 KNIFE SECT |
| 320934550 | 2 CUTTING BL |
| 321162150 | 1 ANGULAR |
| 321162950 | 1 STANDPIPE |
| 321163250 | 5 STIRRUP |
| 321166250 | 2 SLIDE |
| 321166350 | 4 SLIDE |
| 321166450 | 4 PLATE |
| 321166850 | 12 PLATE |
| 321166950 | 24 PLATE |
| 321169350 | 1 SHIELD |
| 321169550 | 3 SHIELD |
| 321170250 | 10 HINGE |
| 321197450 | 2 SCREW |
| 321197650 | 29 NUT |
| 321239550 | 2 BLADE CUTT |
| 321240150 | 24 TINE |
| 321240250 | 1 TINE |
| 321240350 | 1 TINE |
| 321240450 | 1 TINE |
| 321240550 | 12 CLIP, KNIF |
| 321284950 | 96 SCREW |
| 321285050 | 96 NUT |
| 321285150 | 8 SCREW |
| 321285250 | 23 SCREW |
| 321285350 | 44 SCREW |

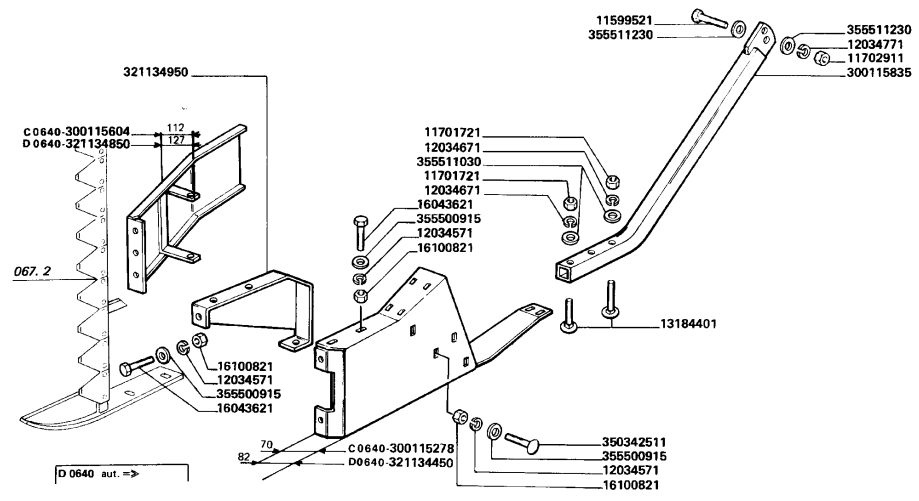
● N.A. (96)

VARIOUS

BG "E" E390



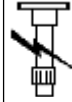
VERTICAL KNIFE - SUPPORT



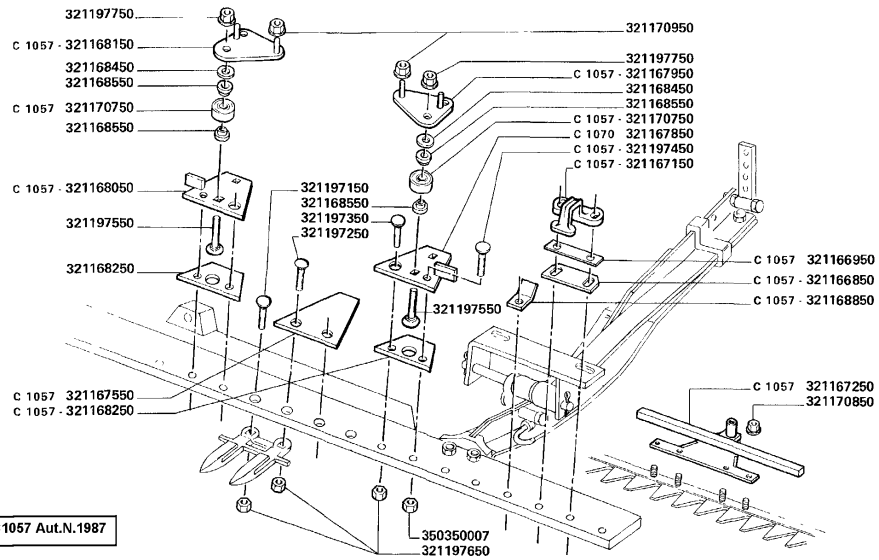
- | | |
|-----------|--------------|
| 11599521 | 1 SCREW |
| 11701721 | 3 NUT |
| 11702911 | 1 NUT |
| 12034571 | 8 LOCK WASHE |
| 12034671 | 3 LOCK WASHE |
| 12034771 | 1 LOCK WASHE |
| 13184401 | 3 SCREW |
| 16043621 | 4 SCREW |
| 16100821 | 7 NUT |
| 300115278 | 1 SUPPORT |
| 300115604 | 1 SHIELD |
| 300115835 | 1 STRUT |
| 321134450 | 1 SUPPORT |
| 321134850 | 1 SHIELD |
| 321134950 | 1 REINFORCEM |
| 350342511 | 3 SCREW |
| 355500915 | 8 WASHER |
| 355511030 | 3 WASHER |
| 355511230 | 2 WASHER |

VARIOUS

BG "E" E390



KNIFE HEAD GUIDE (NORMAL FINGERS)



321166850	2	PLATE
321166950	2	PLATE
321167150	2	PLATE
321167250	1	HEAD
321167550	1	HEAD
321167850	1	PLATE
321167950	1	PLATE
321168050	1	PLATE
321168150	1	PLATE
321168250	2	PLATE
321168450	4	LOCK WASHE
321168550	8	BUSH
321168850	1	BUSH
321170750	4	ROLLER
321170850	4	NUT
321170950	2	NUT
321197150	2	SCREW
321197250	2	SCREW
321197350	2	SET OF SCR
321197450	2	SCREW
321197550	2	SCREW
321197650	6	NUT
321197750	2	NUT
350350007	2	NUT

● N.A. (4)

● N.A. (0)

CLICK HERE TO **DOWNLOAD** THE COMPLETE MANUAL

- Thank you very much for reading the preview of the manual.
- You can download the complete manual from: www.heydownloads.com by clicking the link below



- Please note: If there is no response to CLICKING the link, please download this PDF first and then click on it.

CLICK HERE TO **DOWNLOAD** THE COMPLETE MANUAL