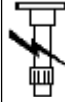


AUGER

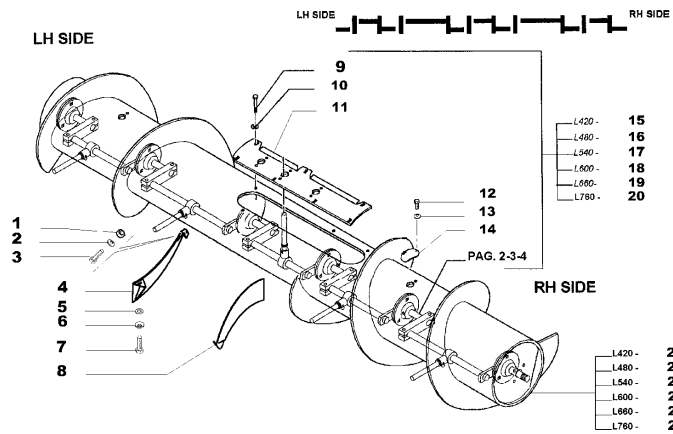
**52 -
50.08/1**

FEEDING AUGER

BG "L" BARRE (2006)



**5250.08/
1**



- | | | | | |
|----|-----------|-------------------------------|---|--------|
| 1 | 16100811 | | 1 | NUT |
| 2 | 322358 | | 1 | WASHER |
| 3 | 16043421 | | 1 | SCREW |
| 4 | 322760150 | | 1 | SPIRAL |
| 5 | 355500920 | | 1 | WASHER |
| 6 | 322358 | | 1 | WASHER |
| 7 | 16043421 | | 1 | SCREW |
| 8 | 322760250 | | 1 | SPIRAL |
| 9 | 10902421 | | 1 | SCREW |
| 10 | 322357 | | 1 | WASHER |
| 11 | 323047550 | | 1 | COVER |
| 12 | 10902421 | | 1 | SCREW |
| 13 | 322357 | | 1 | WASHER |
| 14 | 322759150 | | 1 | LID |
| 15 | 322763600 | | 1 | AUGER |
| 16 | 322763700 | | 1 | AUGER |
| 17 | 322763800 | | 1 | AUGER |
| 18 | 322763900 | | 1 | AUGER |
| 19 | 322764000 | | 1 | AUGER |
| 20 | 323217800 | | 1 | AUGER |
| 21 | 322759650 | ➔ 723000001 | 1 | AUGER |
| | | Da anno 2002 - From year 2002 | | |
| 22 | 322759750 | ➔ 733000001 | 1 | AUGER |
| | | Da anno 2002 - From year 2002 | | |
| 23 | 322759850 | ➔ 743000001 | 1 | AUGER |
| | | Da anno 2002 - From year 2002 | | |
| 24 | 322759950 | ➔ 753000001 | 1 | AUGER |
| | | Da anno 2002 - From year 2002 | | |
| 25 | 322760050 | ➔ 763000001 | 1 | AUGER |
| | | Da anno 2002 - From year 2002 | | |

**L420 L480
L540 L600
L660 L760**

*Vis d'alimentation
Einzugschnecke*

COCLEA ALIMENTAZIONE

*Feeding auger
Sir-fin alimentacion*

50.08

1/6 35072500601

CLICK HERE TO **DOWNLOAD** THE COMPLETE MANUAL

- Thank you very much for reading the preview of the manual.
- You can download the complete manual from: www.heydownloads.com by clicking the link below



- Please note: If there is no response to CLICKING the link, please download this PDF first and then click on it.

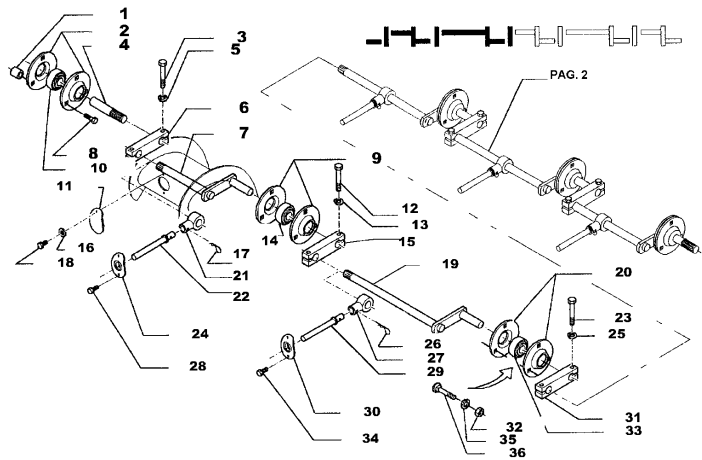
CLICK HERE TO **DOWNLOAD** THE COMPLETE MANUAL

AUGER

52 -
50.08/5

FEEDING AUGER

BG "L" BARRE (2006)



- | | | | |
|----|-----------|---|------------|
| 1 | 322762850 | 1 | BUSH |
| 2 | 340411405 | 1 | FLANGE COU |
| 3 | 15888731 | 1 | SCREW |
| 4 | 322758450 | 1 | PIN |
| 5 | 140045 | 1 | WASHER |
| 6 | 322758350 | 1 | CONNECTOR |
| 7 | 323217750 | 1 | SHAFT |
| 8 | 16160121 | 1 | SCREW |
| 9 | 340411405 | 1 | FLANGE COU |
| 10 | 340411205 | 1 | BEARING |
| 11 | 322759150 | 1 | LID |
| 12 | 15888731 | 1 | SCREW |
| 13 | 140045 | 1 | WASHER |
| 14 | 340411205 | 1 | BEARING |
| 15 | 322758350 | 1 | CONNECTOR |
| 16 | 322357 | 1 | WASHER |
| 17 | 80740591 | 1 | LATCH |
| 18 | 322759150 | 1 | LID |
| 19 | 322759050 | 1 | SHAFT |
| 20 | 340411405 | 1 | FLANGE COU |
| 21 | 322843850 | 1 | SUPPORT FI |
| 22 | 322823000 | 1 | FINGER |
| 23 | 15888731 | 1 | SCREW |
| 24 | 322843750 | 1 | FLANGE |
| 25 | 140045 | 1 | WASHER |
| 26 | 80740591 | 1 | LATCH |
| 27 | 322843850 | 1 | SUPPORT FI |
| 28 | 13836821 | 1 | SCREW |
| 29 | 322823000 | 1 | FINGER |
| 30 | 322843750 | 1 | FLANGE |
| 31 | 322758350 | 1 | CONNECTOR |
| 32 | 11701711 | 1 | NUT |
| 33 | 340411205 | 1 | BEARING |
| 34 | 13836821 | 1 | SCREW |

L760

Vis d'alimentation
Einzugschnecke

COCLEA ALIMENTAZIONE

Feeding auger
Sin-fin alimentacion

50.08

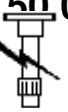
5/6 35072500601

APPLICATIONS AND CARDANS

BG "L" BARRE (2006)

58 -

50 07.C/

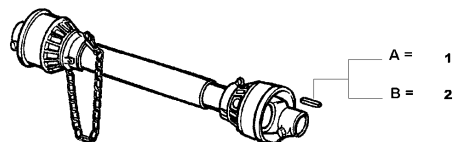


5850.07.C/2

CARDANS SHAFTS

- 1 350384550
- 2 350389405

- 1 KEY
- 1 KEY



	MODELLO	Tav.	N. ORDINE	205 REV	225 REV	255 REV	256 REV
A	L 420	50.07/W	322361600	x	x	x	x
A	L 480	50.07/W	322361500	x	x	x	
A	L 480	50.07/W	322361600				x
A	L 540	50.07/W	322361500	x	x	x	x
A	L 600	50.07/W	322362100	x	x	x	x
A	L 660	50.07/W	322362100	x	x	x	x
A	L 760	50.07/W	322362100	x	x	x	x

L420 L480
L540 L600
L660 L760

Arbres à cardans
Kardanwellen

ALBERI CARDANICI

Cardans shafts
Ejes a cardanos

50.07.C

2/5

DRIVE

55 -
50.00

DRIVE BELTS AND DRIVE CHAINS

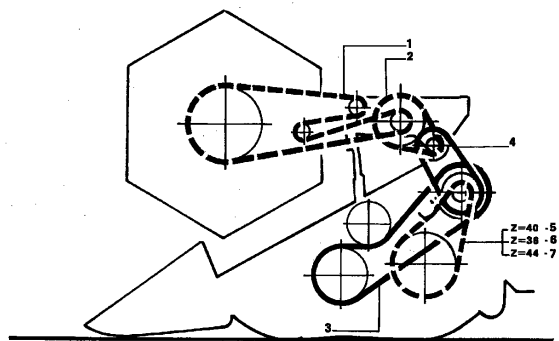
BG "L" BARRE (2006)



5550.00

- 1 344375203
- 2 340437977
- 3 340433422
- 4 340434138
- 5 344375186
- 7 344375178

- 1 CHAIN ASA
- 1 CHAIN ASA
- 1 BELT
- 1 BELT
- 1 CHAIN ASA
- 1 CHAIN ASA



L420 L480
L540 L600
L660 L760

CINGHIE E CATENE DI TRASMISSIONE

Courroies et chaînes de transmission
Antriebsriemen-und ketten

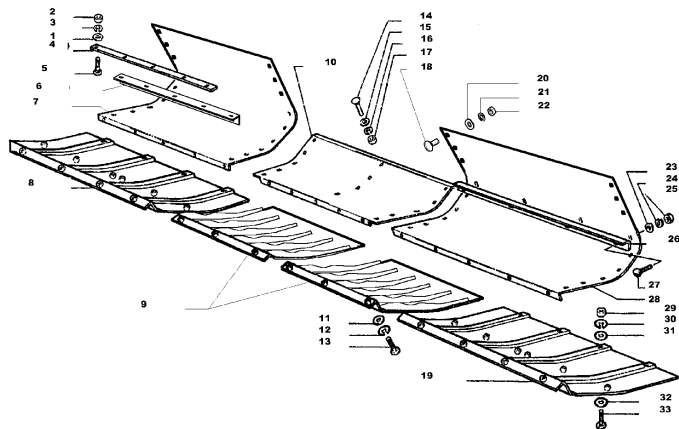
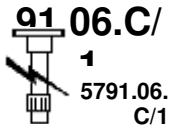
Drive belts and drive chains
Correas y cadenas de transmision

FRAME

57 -

PLATES AND SKIDS

BG "L" BARRE (2006)



- | | | | | |
|----|-----------|--------------------|------------|---------|
| 1 | 355500915 | 1 | WASHER | |
| 2 | 16100811 | 1 | NUT | |
| 3 | 12034571 | 1 | LOCK WASHE | |
| 4 | 322690950 | 1 | SCRAPER | |
| 5 | 350342510 | 1 | SCREW | |
| 6 | 323014750 | ● 003230147503 (1) | 1 | ANGULAR |
| 7 | 323013850 | 1 | PLATE | |
| 8 | 322777350 | 1 | SLIDE | |
| 9 | 323088350 | 1 | SLIDE | |
| 10 | 322700750 | 1 | PLATE | |
| 11 | 355511030 | 1 | WASHER | |
| 12 | 12034671 | 1 | LOCK WASHE | |
| 13 | 11106424 | 1 | SCREW | |
| 14 | 350342510 | 1 | SCREW | |
| 15 | 355500915 | 1 | WASHER | |
| 16 | 12034571 | 1 | LOCK WASHE | |
| 17 | 16100811 | 1 | NUT | |
| 18 | 350342511 | 1 | SCREW | |
| 19 | 322777450 | 1 | SLIDE | |
| 20 | 355500915 | 1 | WASHER | |
| 21 | 12034571 | 1 | LOCK WASHE | |
| 22 | 16100811 | 1 | NUT | |
| 23 | 355500915 | 1 | WASHER | |
| 24 | 12034571 | 1 | LOCK WASHE | |
| 25 | 16100811 | 1 | NUT | |
| 26 | 322606750 | 1 | SCRAPER | |
| 27 | 350342511 | 1 | SCREW | |
| 28 | 323013750 | 1 | PLATE | |
| 29 | 11701721 | 1 | NUT | |
| 30 | 12034671 | 1 | LOCK WASHE | |
| 31 | 355501130 | 1 | WASHER | |
| 32 | 355501130 | 1 | WASHER | |
| 33 | 11106424 | 1 | SCREW | |

L420

Toles et sabots
Blechern und kufen

LAMIERE E SLITTE

Plates and skids
Chapas y patines

(TIPO -A-)

91.06.C

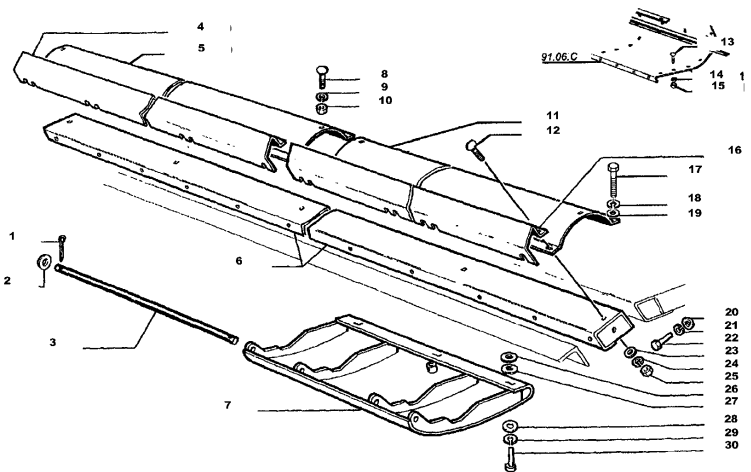
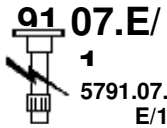
1/1 4076910603

FRAME

57 -

CUTTER BAR TABLE EXTENSION

BG "L" BARRE (2006)



- | | | | | |
|----|-----------|--------------------|---|------------|
| 1 | 10797001 | | 1 | LINCH PIN |
| 2 | 355501630 | | 1 | WASHER |
| 3 | 322387250 | | 1 | DOWEL |
| 4 | 321042250 | | 1 | SPRING PLA |
| 5 | 322695550 | ● 003226955505 (1) | 1 | CONVEYOR |
| 6 | 320966150 | | 1 | EXTENCION |
| 7 | 320966250 | ● 3227783500 (1) | 1 | SLIDE |
| 8 | 350342510 | | 1 | SCREW |
| 9 | 12034571 | | 1 | LOCK WASHE |
| 10 | 16100811 | | 1 | NUT |
| 11 | 322695550 | ● 003226955505 (1) | 1 | CONVEYOR |
| 12 | 350342511 | | 1 | SCREW |
| 13 | 350342510 | | 1 | SCREW |
| 14 | 12034571 | | 1 | LOCK WASHE |
| 15 | 16100811 | | 1 | NUT |
| 16 | 321042250 | | 1 | SPRING PLA |
| 17 | 16043421 | | 1 | SCREW |
| 18 | 12034571 | | 1 | LOCK WASHE |
| 19 | 355500920 | | 1 | WASHER |
| 20 | 355511030 | | 1 | WASHER |
| 21 | 12034671 | | 1 | LOCK WASHE |
| 22 | 11106421 | | 1 | SCREW |
| 23 | 355500915 | | 1 | WASHER |
| 24 | 12034571 | | 1 | LOCK WASHE |
| 25 | 16100811 | | 1 | NUT |
| 26 | 355511020 | | 1 | WASHER |
| 27 | 355511010 | | 1 | WASHER |
| 28 | 355511040 | | 1 | WASHER |
| 29 | 12034671 | | 1 | LOCK WASHE |
| 30 | 14420121 | | 1 | SCREW |

L480

Railonge barre de coupe
Schneidwerkverlängerung

PROLUNGA PIATTAFORMA

Cutter bar table extension
Prolonga barra de corte

91.07.E

1/1 4076910710

CLICK HERE TO **DOWNLOAD** THE COMPLETE MANUAL

- Thank you very much for reading the preview of the manual.
- You can download the complete manual from: www.heydownloads.com by clicking the link below



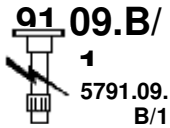
- Please note: If there is no response to CLICKING the link, please download this PDF first and then click on it.

CLICK HERE TO **DOWNLOAD** THE COMPLETE MANUAL

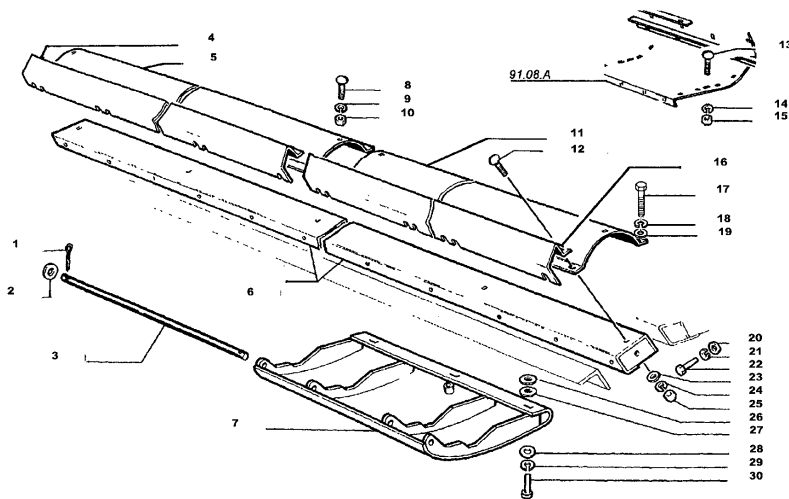
FRAME

57 -

CUTTER BAR TABLE EXTENSION



BG "L" BARRE (2006)



- | | | | | |
|----|-----------|--|---|------------|
| 1 | 10797001 | | 1 | LINCH PIN |
| 2 | 355501530 | | 1 | WASHER |
| 3 | 322387250 | | 1 | DOWEL |
| 4 | 322694350 | | 1 | SPRING PLA |
| 5 | 322695450 | ● 003232723505 (1)
003232724505 (2) | 1 | CONVEYOR |
| 6 | 322692750 | | 1 | EXTENCION |
| 7 | 320966250 | ● 3227783500 (1) | 1 | SLIDE |
| 8 | 350342510 | | 1 | SCREW |
| 9 | 12034571 | | 1 | LOCK WASHE |
| 10 | 16100811 | | 1 | NUT |
| 11 | 322695450 | ● 003232723505 (1)
003232724505 (2) | 1 | CONVEYOR |
| 12 | 350342511 | | 1 | SCREW |
| 13 | 350342510 | | 1 | SCREW |
| 14 | 12034571 | | 1 | LOCK WASHE |
| 15 | 16100811 | | 1 | NUT |
| 16 | 321078150 | | 1 | SPRING PLA |
| 17 | 16043421 | | 1 | SCREW |
| 18 | 12034571 | | 1 | LOCK WASHE |
| 19 | 355500920 | | 1 | WASHER |
| 20 | 355511030 | | 1 | WASHER |
| 21 | 12034671 | | 1 | LOCK WASHE |
| 22 | 11106421 | | 1 | SCREW |
| 23 | 355500915 | | 1 | WASHER |
| 24 | 12034571 | | 1 | LOCK WASHE |
| 25 | 16100811 | | 1 | NUT |
| 26 | 355511020 | | 1 | WASHER |
| 27 | 355511010 | | 1 | WASHER |
| 28 | 355511040 | | 1 | WASHER |
| 29 | 12034671 | | 1 | LOCK WASHE |

L600

Railonge barre de coupe
Schneidwerfverlängerung

PROLUNGA PIATTAFORMA

Cutter bar table extension
Prolonga barra de corte

91.09.B

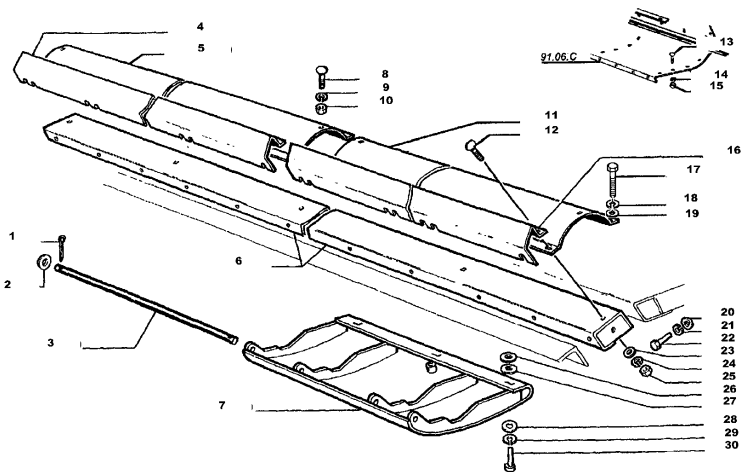
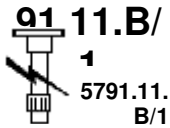
1/1 4076910910

FRAME

57 -

CUTTER BAR TABLE EXTENSION

BG "L" BARRE (2006)



- | | | | | |
|----|-----------|--|---|------------|
| 1 | 10797001 | | 1 | LINCH PIN |
| 2 | 355501630 | | 1 | WASHER |
| 3 | 322387250 | | 1 | DOWEL |
| 4 | 323221450 | | 1 | PLATE |
| 5 | 323221750 | ● 003232723505 (1)
003232726505 (1)
003232727505 (1)
003232728505 (1) | 1 | PLATE |
| 6 | 323220350 | | 1 | EXTENSION |
| 7 | 323227250 | ● 003234101505 (1) | 1 | SLIDE |
| 8 | 350342510 | | 1 | SCREW |
| 9 | 12034571 | | 1 | LOCK WASHE |
| 10 | 16100811 | | 1 | NUT |
| 11 | 323221650 | ● 003232723505 (1)
003232726505 (1)
003232727505 (1)
003232728505 (1) | 1 | PLATE |
| 12 | 350342511 | | 1 | SCREW |
| 13 | 350342510 | | 1 | SCREW |
| 14 | 12034571 | | 1 | LOCK WASHE |
| 15 | 16100811 | | 1 | NUT |
| 16 | 323221550 | | 1 | PLATE |
| 17 | 16043421 | | 1 | SCREW |
| 18 | 12034571 | | 1 | LOCK WASHE |
| 19 | 355500920 | | 1 | WASHER |
| 20 | 355511030 | | 1 | WASHER |
| 21 | 12034671 | | 1 | LOCK WASHE |
| 22 | 11106421 | | 1 | SCREW |
| 23 | 355500915 | | 1 | WASHER |
| 24 | 12034571 | | 1 | LOCK WASHE |
| 25 | 16100811 | | 1 | NUT |

L760

Railonge barre de coupe
Schneidwerkverlaengerung

PROLUNGA PIATTAFORMA

Cutter bar table extension
Prolonga barra de corte

91.11.B

1/1 4076911011

REEL

53 -

REEL VARIATOR DRIVE

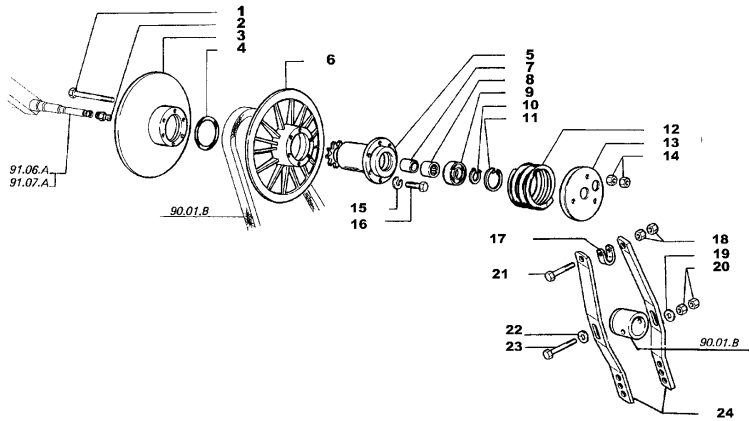
90 01.A/



1

5390.01.
A/1

BG "L" BARRE (2006)



- | | | | |
|----|-----------|---|------------|
| 1 | 16045431 | 1 | SCREW |
| 2 | 350357803 | 1 | NIPPLE, LU |
| 3 | 300132630 | 1 | DISC |
| 4 | 14464880 | 1 | O-RING |
| 5 | 300132741 | 1 | HUB |
| 6 | 300132329 | 1 | DISC |
| 7 | 340409084 | 1 | RING |
| 8 | 340409034 | 1 | BEARING |
| 9 | 28043200 | 1 | BEARING |
| 10 | 11067376 | 1 | SPRING LOC |
| 11 | 11060576 | 1 | SPRING LOC |
| 12 | 353561127 | 1 | SPRING |
| 13 | 300114399 | 1 | DISC |
| 14 | 16102314 | 1 | NUT |
| 15 | 12034571 | 1 | LOCK WASHE |
| 16 | 16043424 | 1 | SCREW |
| 17 | 300114398 | 1 | CLAMP |
| 18 | 10788714 | 1 | NUT |
| 19 | 355511030 | 1 | WASHER |
| 20 | 10788714 | 1 | NUT |
| 21 | 11107311 | 1 | SCREW |
| 22 | 355511030 | 1 | WASHER |
| 23 | 11108021 | 1 | SCREW |
| 24 | 322735750 | 1 | COUNTER WE |

● 000111073210 (1)

L420 L480
L540 L600
L660 L760

COMANDO VARIATORE ASPO

Commande variateur rabatteur
Haspelvariatorantrieb

Reel variator drive
Mando variador molinete

90.01.A

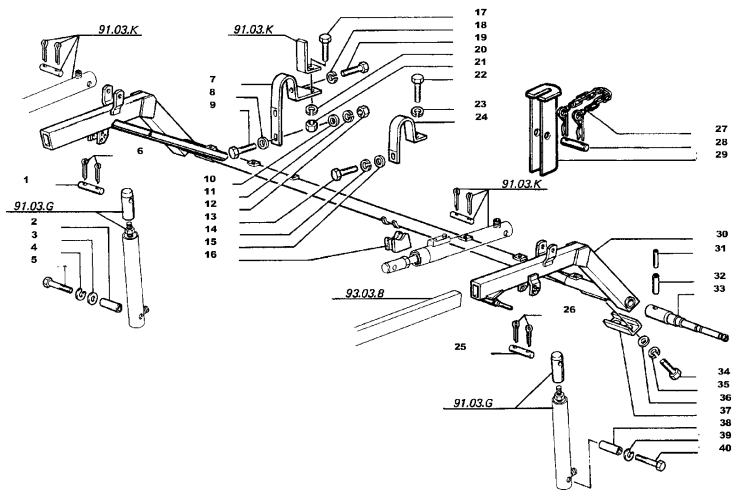
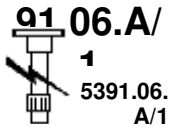
1/1 4072900101

REEL

53 -

REEL FRAME

BG "L" BARRE (2006)



- | | | | |
|----|-----------|---|------------|
| 1 | 350379372 | 1 | DOWEL |
| 2 | 321023150 | 1 | SPACER |
| 3 | 355532640 | 1 | WASHER |
| 4 | 12034771 | 1 | LOCK WASHE |
| 5 | 15541424 | 1 | SCREW |
| 6 | 10797001 | 1 | LINCH PIN |
| 7 | 320836950 | 1 | BRIDLE |
| 8 | 355511030 | 1 | WASHER |
| 9 | 11106624 | 1 | SCREW |
| 10 | 355511030 | 1 | WASHER |
| 11 | 12034671 | 1 | LOCK WASHE |
| 12 | 11701721 | 1 | NUT |
| 13 | 11112424 | 1 | SCREW |
| 14 | 12034771 | 1 | LOCK WASHE |
| 15 | 355501320 | 1 | WASHER |
| 16 | 320782950 | 1 | SUPPORT |
| 17 | 11106624 | 1 | SCREW |
| 18 | 12034671 | 1 | LOCK WASHE |
| 19 | 11106021 | 1 | SCREW |
| 20 | 12034671 | 1 | LOCK WASHE |
| 21 | 11701721 | 1 | NUT |
| 22 | 11112221 | 1 | SCREW |
| 23 | 12034771 | 1 | LOCK WASHE |
| 24 | 300114390 | 1 | BRIDLE |
| 25 | 350379372 | 1 | DOWEL |
| 26 | 10797001 | 1 | LINCH PIN |
| 27 | 322392600 | 1 | LATCH |
| 28 | 350379345 | 1 | DOWEL |
| 29 | 322392550 | 1 | SPACER |
| 30 | 320848950 | 1 | FRAME |
| 31 | 14604870 | 1 | PLUG |
| 32 | 14610570 | 1 | PLUG |
| 33 | 300135753 | 1 | SHAFT |
| 34 | 10979224 | 1 | SCREW |

L420

Chassis rabatteur
Haspelrahmen

TELAIO ASPO

Reel frame
Bastidor molinete

91.06.A

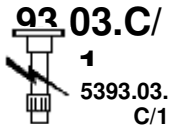
1/1 4072910601

REEL

53 -

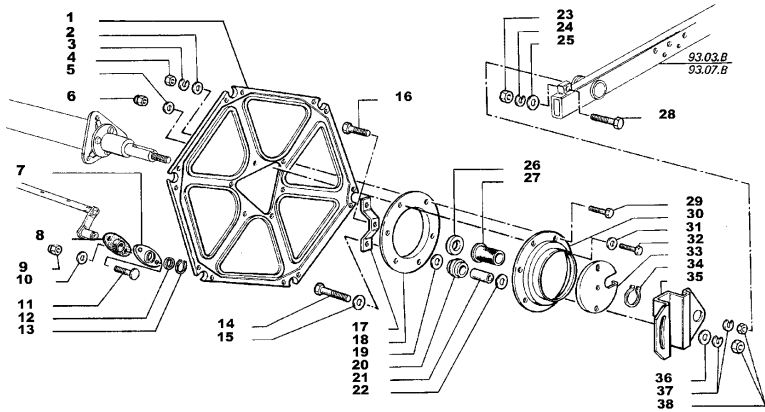
ECCENTRIC REEL DRIVE

BG "L" BARRE (2006)



- 34 11069376
- 35 321034150
- 36 355511030
- 37 12034671
- 38 11701721

- 1 SPRING LOC
- 1 SUPPORT
- 1 WASHER
- 1 LOCK WASHE
- 1 NUT



L420 L480
L540 L600
L660 L760

ECCENTRICO COMANDO ASPO

Excentrique commande rabatteur
Exzenter haspelantreib

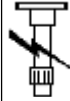
93.03.C

Eccentric reel drive
Excentrico mando moinele

1/1 4072930303

REEL

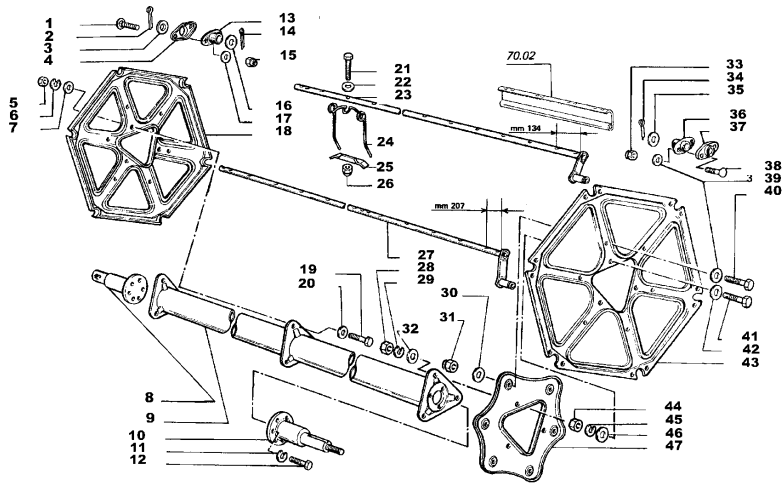
53 -
93.08/1



5393.08/
1

REEL

BG "L" BARRE (2006)



L540

Rabattuier
Haspel

ASPO

93.08

Reel
Mollinete

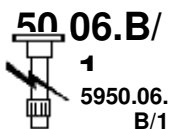
1/1 4072930801

- | | | | |
|----|-----------|---|------------|
| 1 | 350342511 | 1 | SCREW |
| 2 | 10734901 | 1 | LINCH PIN |
| 3 | 355537920 | 1 | WASHER |
| 4 | 320854550 | 1 | PLATE |
| 5 | 11701721 | 1 | NUT |
| 6 | 12034671 | 1 | LOCK WASHE |
| 7 | 355511030 | 1 | WASHER |
| 8 | 321712850 | 1 | MAST |
| 9 | 321019650 | 1 | MAST |
| 10 | 321035750 | 1 | SHAFT |
| 11 | 12034671 | 1 | LOCK WASHE |
| 12 | 11106224 | 1 | SCREW |
| 13 | 322416050 | 1 | SUPPORT |
| 14 | 10734901 | 1 | LINCH PIN |
| 15 | 360653408 | 1 | NUT |
| 16 | 355537920 | 1 | WASHER |
| 17 | 355510820 | 1 | WASHER |
| 18 | 322415850 | 1 | SPIDER, RE |
| 19 | 11106021 | 1 | SCREW |
| 20 | 355511030 | 1 | WASHER |
| 21 | 10903624 | 1 | SCREW |
| 22 | 355500715 | 1 | WASHER |
| 23 | 321021050 | 1 | BAR PLATE |
| 24 | 321023250 | 1 | REEL TINE |
| 25 | 300115127 | 1 | RETAINING |
| 26 | 360653406 | 1 | NUT |
| 27 | 321021150 | 1 | BAR PLATE |
| 28 | 10788714 | 1 | NUT |
| 29 | 12034671 | 1 | LOCK WASHE |
| 30 | 355510820 | 1 | WASHER |
| 31 | 360653408 | 1 | NUT |
| 32 | 355511030 | 1 | WASHER |
| 33 | 360653408 | 1 | NUT |
| 34 | 10734901 | 1 | LINCH PIN |

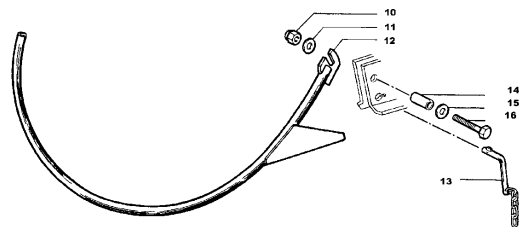
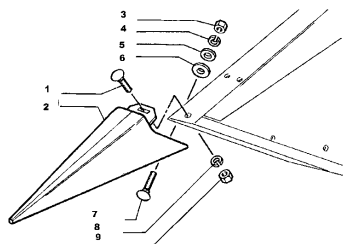
VARIATIONS AND ACCESSORIES

BG "L" BARRE (2006)

59 -



DIVIDER



- | | | | |
|----|-----------|---|------------|
| 1 | 366000812 | 1 | SCREW |
| 2 | 320837850 | 1 | POINT |
| 3 | 16100824 | 1 | NUT |
| 4 | 12034571 | 1 | LOCK WASHE |
| 5 | 355510820 | 1 | WASHER |
| 6 | 355511430 | 1 | WASHER |
| 7 | 366000814 | 1 | SCREW |
| 8 | 12034571 | 1 | LOCK WASHE |
| 9 | 16100824 | 1 | NUT |
| 10 | 12577511 | 1 | NUT |
| 11 | 355511230 | 1 | WASHER |
| 12 | 321154950 | 1 | ARM |
| 13 | 300115792 | 1 | LATCH |
| 14 | 340415213 | 1 | BUSH |
| 15 | 355511230 | 1 | WASHER |
| 16 | 15215721 | 1 | SCREW |

L420 L480
L540 L600
L660 L760

Diviseurs
Helmteiler

SPARTITORI FISSI

Dividers
Divisor

50.06.B

1/1 35072500607
35072500611

CLICK HERE TO **DOWNLOAD** THE COMPLETE MANUAL

- Thank you very much for reading the preview of the manual.
- You can download the complete manual from: www.heydownloads.com by clicking the link below



- Please note: If there is no response to CLICKING the link, please download this PDF first and then click on it.

CLICK HERE TO **DOWNLOAD** THE COMPLETE MANUAL