

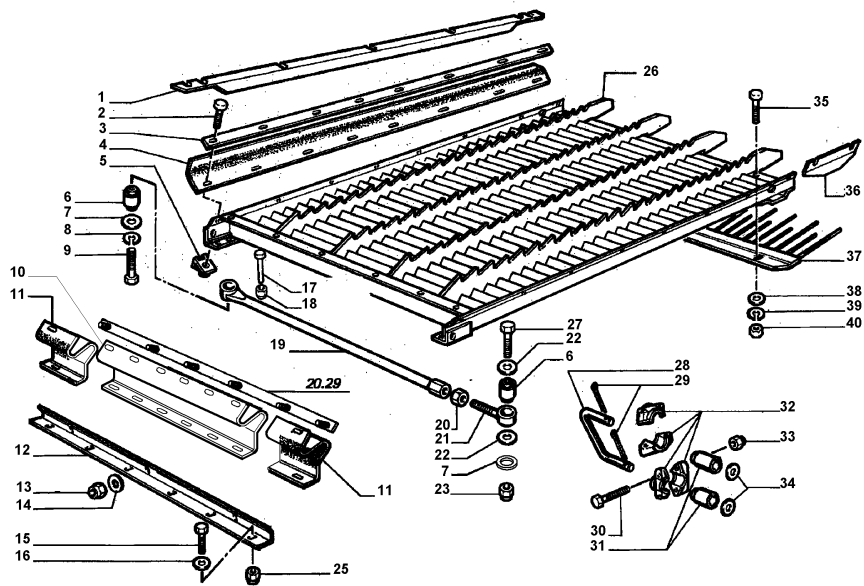
CLEANING

22.0
1

GRAIN PAN

MTB "AL" AL REV (551900213_551900999)

22.01



- | | | | |
|----|------------|---|------------|
| 1 | 321844050 | 1 | PLATE |
| 2 | 10977821 | 1 | SCREW |
| 3 | 321828350 | 1 | STRAP |
| 4 | 321828250 | 1 | CONVEYOR |
| 5 | 322121950 | 1 | NUT |
| 6 | 340449005 | 1 | SILENTBLOC |
| 7 | 355531830 | 1 | WASHER |
| 8 | 12035571 | 1 | LOCK WASHE |
| 9 | 11116221 | 1 | SCREW |
| 10 | 323119950 | 1 | GASKET |
| 11 | 323120150 | 1 | GASKET |
| 12 | 0032335635 | 1 | PROFILE |
| | 05 | | |
| 13 | 12574111 | 1 | NUT |
| 14 | 355500615 | 1 | WASHER |
| 15 | 16043624 | 1 | SCREW |
| 16 | 355510820 | 1 | WASHER |
| 17 | 10902621 | 1 | SCREW |
| 18 | 12574211 | 1 | NUT |
| 19 | 321840050 | 1 | ARM |
| 20 | 11702921 | 1 | NUT |
| 21 | 321839950 | 1 | HEAD |
| 22 | 340415093 | 1 | SPACER |
| 23 | 12577311 | 1 | NUT |
| 25 | 16104111 | 1 | NUT |
| 26 | 0032336585 | 1 | GRAIN PAN |
| | 05 | | |
| 27 | 11116621 | 1 | SCREW |
| 28 | 321828450 | 1 | CONROD |
| 29 | 10733801 | 1 | LINCH PIN |
| 30 | 11107621 | 1 | SCREW |
| 31 | 322203650 | 1 | BUSH |
| 32 | 322194750 | 1 | SUPPORT |
| 33 | 12577211 | 1 | NUT |
| 34 | 355501930 | 1 | WASHER |

CLICK HERE TO **DOWNLOAD** THE COMPLETE MANUAL

- Thank you very much for reading the preview of the manual.
- You can download the complete manual from: www.heydownloads.com by clicking the link below



- Please note: If there is no response to CLICKING the link, please download this PDF first and then click on it.

CLICK HERE TO **DOWNLOAD** THE COMPLETE MANUAL

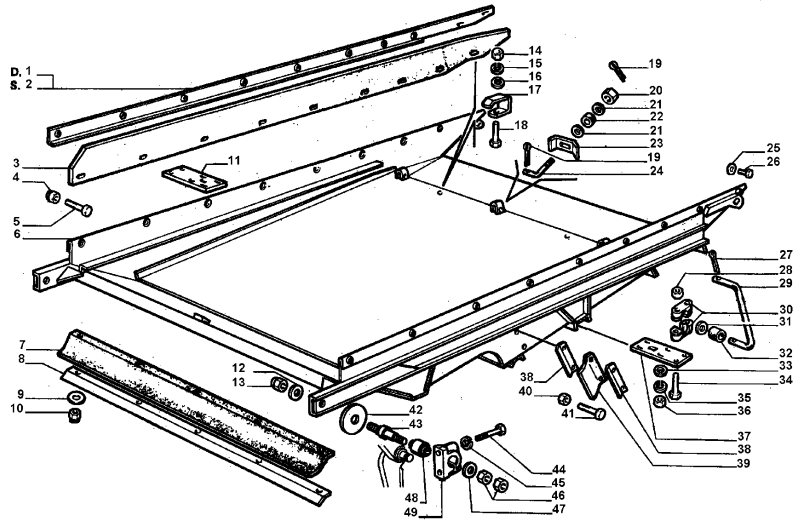
CLEANING

22.0
4_1

LOWER SHAKER SHOE page 1

MTB "AL" AL REV (551900213_551900999)

22.04_1



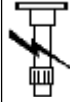
- | | | | |
|----|-----------|---|------------|
| 32 | 322203650 | 1 | BUSH |
| 33 | 355510820 | 1 | WASHER |
| 34 | 11107621 | 1 | SCREW |
| 35 | 12034571 | 1 | LOCK WASHE |
| 36 | 16100811 | 1 | NUT |
| 37 | 322193650 | 1 | SUPPORT |
| 38 | 321831650 | 1 | STRAP |
| 39 | 321831550 | 1 | GASKET |
| 40 | 12574211 | 1 | NUT |
| 41 | 10902224 | 1 | SCREW |
| 42 | 321831750 | 1 | FLANGE |
| 43 | 321937350 | 1 | PIN |
| 44 | 15542821 | 1 | SCREW |
| 45 | 12034771 | 1 | LOCK WASHE |
| 46 | 12164321 | 1 | NUT |
| 47 | 355502150 | 1 | WASHER |
| 48 | 340449022 | 1 | SILENTBLOC |
| 49 | 321829850 | 1 | THIMBLE |

CLEANING

22.0
7_2

TAILINGS ELEVATOR (NORMAL) page 2

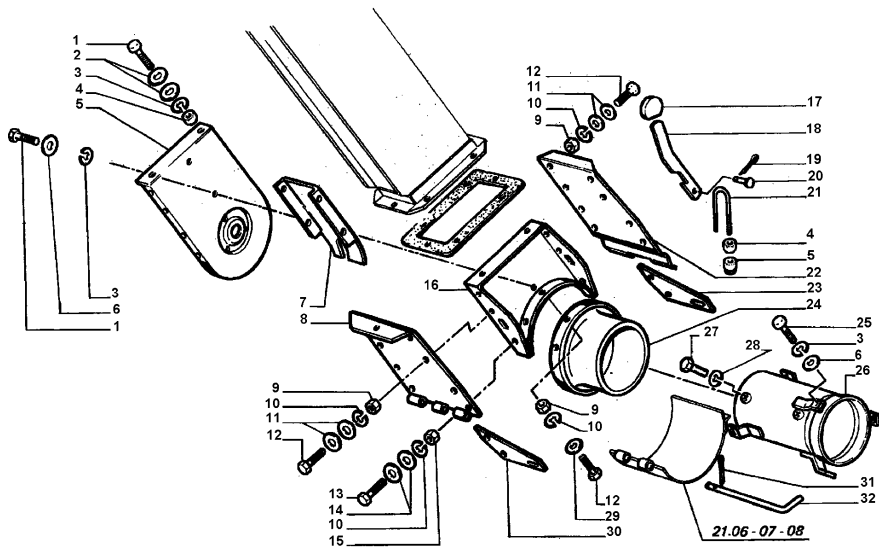
MTB "AL" AL REV (551900213_551900999)



22.07_2

32 321848950

1 DOWEL

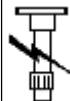


CLEANING

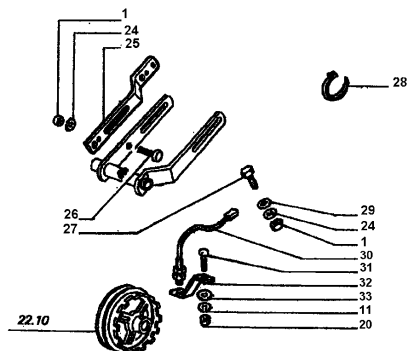
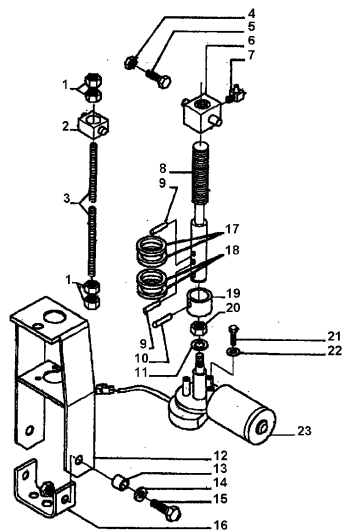
22.1
8

FAN SPEED VARIATOR ELECTRIC DIGITAL CONTROL

MTB "AL" AL REV (551900213_551900999)



22.18



- 30 322861400
- 31 16043424
- 32 322768350
- 33 355510820

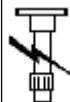
- 1 SENSOR
- 1 SCREW
- 1 SUPPORT
- 1 WASHER

DRIV'S PLATFORM

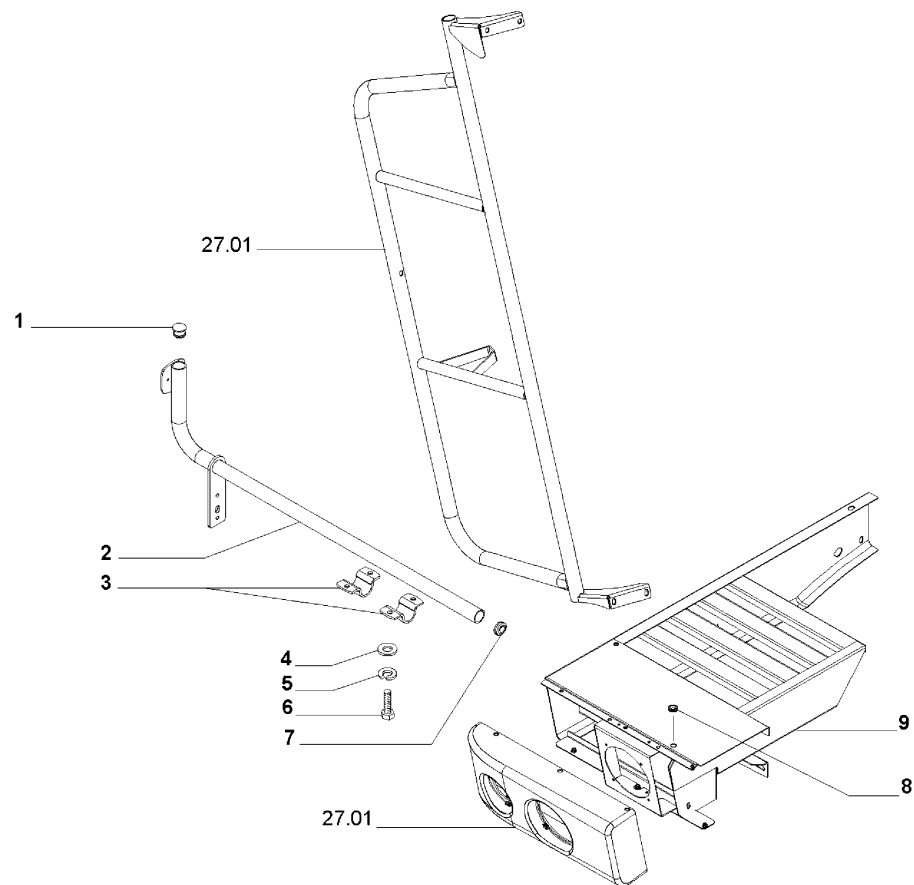
27.0
4_2

PLATFORM FOOTBOARDS (right)

MTB "AL" AL REV (551900213_551900999)



27.04_2



- 1 321454750
- 2 323199650
- 3 300114165
- 4 355510820
- 5 12034571
- 6 16043421
- 7 10397780
- 8 340481703
- 9 323200250

- 1 PLUG
- 1 SUPPORT
- 2 RETAINING
- 4 WASHER
- 4 LOCK WASHE
- 4 SCREW
- 1 RING
- 1 GROMMET
- 1 LANDING

DRIV'S PLATFORM

27.1
3.6_1

CAB - HEADLIGHT page 1

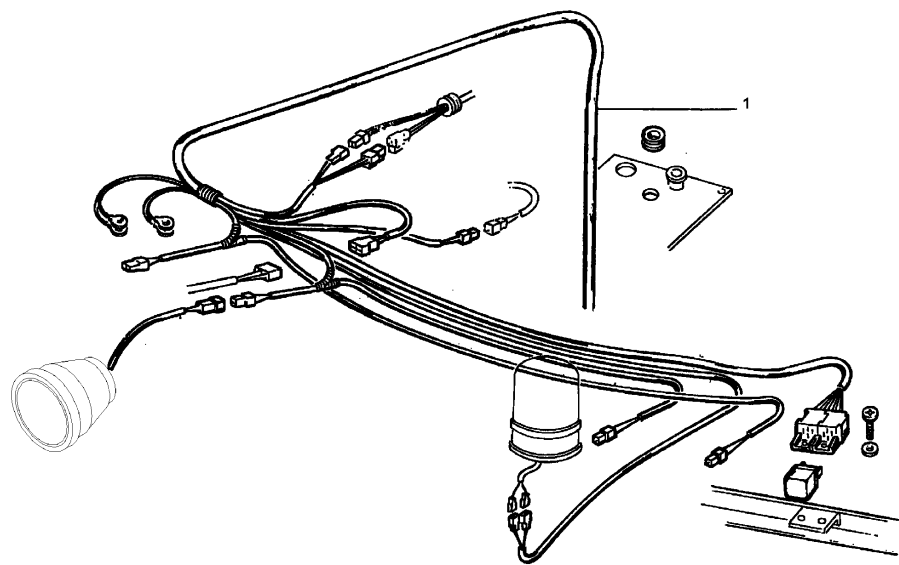
MTB "AL" AL REV (551900213_551900999)



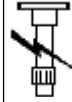
27.13.6
1

1 0032347050
00

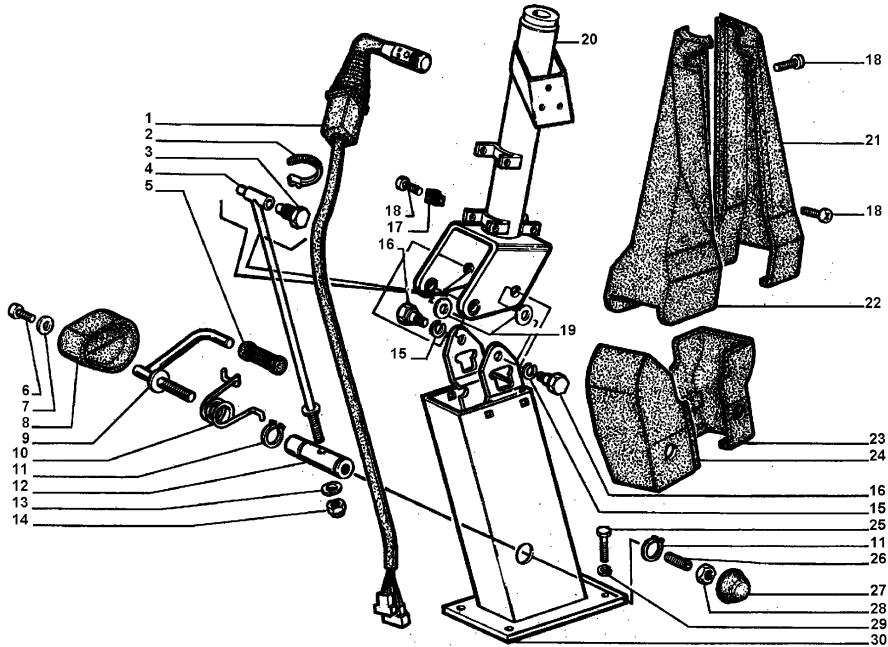
1 CABLE



MTB "AL" AL REV (551900213_551900999)



27.25_1



- | | | | |
|----|-----------|---|------------|
| 1 | 322118100 | 1 | SHUNTER |
| 2 | 340481810 | 1 | CLAMP |
| 3 | 322678450 | 1 | SCREW |
| 4 | 322677950 | 1 | TIE ROD |
| 5 | 340441012 | 1 | PAD,RUBBER |
| 6 | 10376511 | 1 | SCREW |
| 7 | 355510615 | 1 | WASHER |
| 8 | 321277750 | 1 | COVER |
| 9 | 322677850 | 1 | PEDAL |
| 10 | 322678050 | 1 | SPRING |
| 11 | 11067676 | 2 | SPRING LOC |
| 12 | 300137550 | 1 | BUSH |
| 13 | 355531830 | 1 | WASHER |
| 14 | 12577311 | 1 | NUT |
| 15 | 12034871 | 2 | LOCK WASHE |
| 16 | 322678350 | 2 | SCREW |
| 17 | 14215282 | 1 | BLOCK |
| 18 | 15959207 | 3 | SCREW |
| 19 | 355532620 | 1 | WASHER |
| 20 | 322678150 | 1 | SUPPORT |
| 21 | 322395150 | 1 | SHIELD |
| 22 | 322395250 | 1 | SHIELD |
| 23 | 322395350 | 1 | SHIELD |
| 24 | 322395450 | 1 | SHIELD |
| 25 | 16043624 | 1 | SCREW |
| 26 | 300137551 | 1 | TIE ROD |
| 27 | 321254350 | 1 | COVER |
| 28 | 10717421 | 1 | NUT |
| 29 | 12034571 | 1 | LOCK WASHE |
| 30 | 322678250 | 1 | SUPPORT |

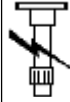
● N.A. (1)

DRUM

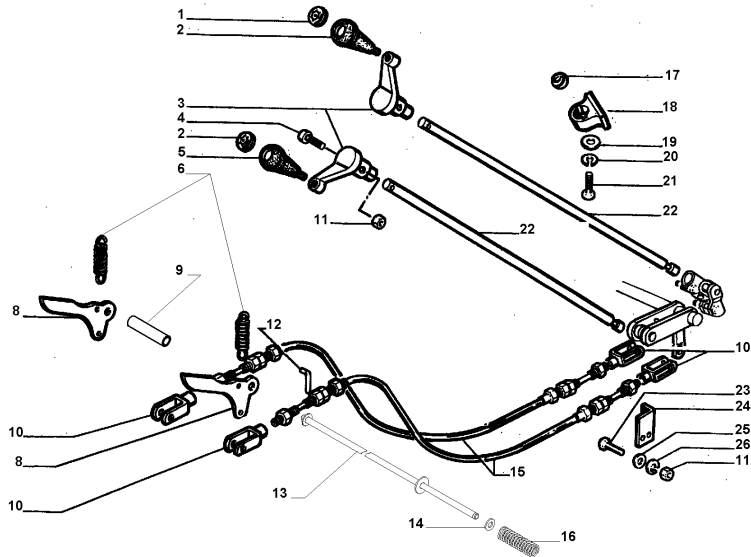
20.1
2_1

CONCAVE CONTROL DRIVE page 1

MTB "AL" AL REV (551900213_551900999)



20.12_1



- | | | | | |
|----|------------|--------------------|---|------------|
| 1 | 321260450 | | 1 | PLUG |
| 2 | 321253950 | | 1 | HANDLE GRI |
| 3 | 321254250 | | 1 | CRANK |
| 4 | 14305624 | | 1 | SCREW |
| 5 | 321253950 | | 1 | HANDLE GRI |
| 6 | 350356538 | | 1 | SPRING |
| 8 | 322252050 | | 1 | INDEX LIST |
| 9 | 322936450 | | 1 | BUSH |
| 10 | 322014450 | | 1 | YOKE |
| 11 | 15896221 | | 1 | NUT |
| 12 | 300136233 | | 1 | DOWEL |
| 13 | 0032319665 | | 1 | PIN |
| | 00 | | | |
| 14 | 355600915 | ● 003555009150 (1) | 1 | WASHER |
| 15 | 322797750 | | 1 | WIRE/CABLE |
| 16 | 353561121 | | 1 | SPRING |
| 17 | 300125190 | | 1 | BALL JOINT |
| 18 | 300112895 | | 1 | SUPPORT |
| 19 | 355500915 | | 1 | WASHER |
| 20 | 12034571 | | 1 | LOCK WASHE |
| 21 | 16043424 | | 1 | SCREW |
| 22 | 322802750 | | 1 | ROD |
| 23 | 10902424 | | 1 | SCREW |
| 24 | 322056350 | | 1 | SUPPORT |
| 25 | 355500715 | | 1 | WASHER |
| 26 | 12035670 | ● 000120356710 (1) | 1 | LOCK WASHE |

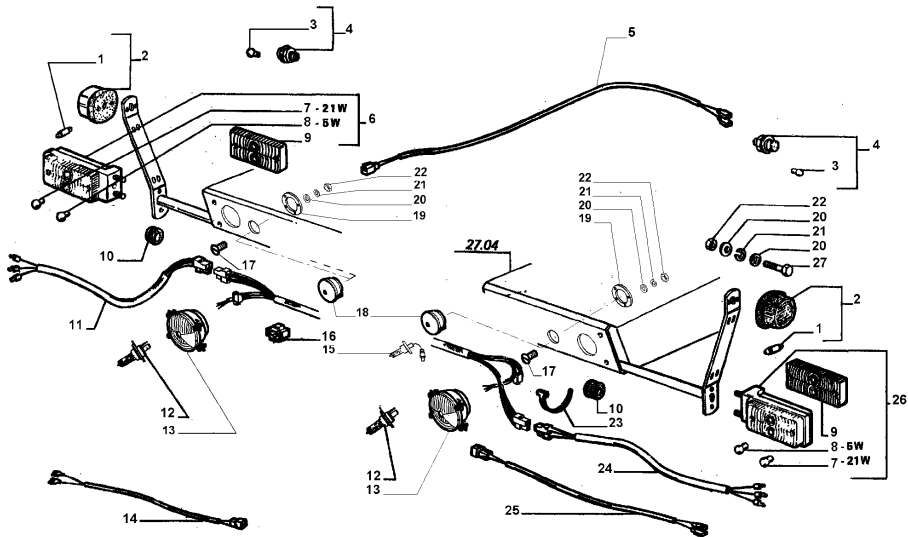
ELECTRIC SYSTEM

29.0
1_1

FRONT LIGHTING COMPONENTS page 1

MTB "AL" AL REV (551900213_551900999)

29.01_1



- | | | | |
|----|-----------|---|------------|
| 1 | 340481009 | 2 | LAMPADA |
| 2 | 321909200 | 2 | LIGHT |
| 3 | 14144190 | 2 | LAMPADA |
| 4 | 322896600 | 2 | INDICATOR |
| 5 | 322896400 | 1 | WIRE/CABLE |
| 6 | 320966600 | 1 | LIGHT |
| 7 | 14148190 | 2 | LAMPADA |
| 8 | 10857790 | 2 | LAMPADA |
| 9 | 71316700 | 2 | LENS |
| 10 | 10397780 | 2 | RING |
| 11 | 321934400 | 1 | WIRE/CABLE |
| 12 | 14152090 | 2 | LAMPADA |
| 13 | 322798550 | 2 | LAMP |
| 14 | 321914950 | 1 | WIRE/CABLE |
| 15 | 344810102 | 1 | LAMPADA |
| 16 | 12057980 | 1 | UNIVERSAL |
| 17 | 13274411 | 2 | SCREW |
| 18 | 322848600 | 1 | LIGHT |
| 19 | 322841850 | 2 | FLANGE |
| 20 | 355500615 | 2 | WASHER |
| 21 | 12035471 | 2 | LOCK WASHE |
| 22 | 10718011 | 2 | NUT |
| 23 | 340481810 | 1 | CLAMP |
| 24 | 321934500 | 1 | WIRE/CABLE |
| 25 | 321914950 | 1 | WIRE/CABLE |
| 26 | 320966500 | 1 | LIGHT |
| 27 | 10978221 | 1 | SCREW |

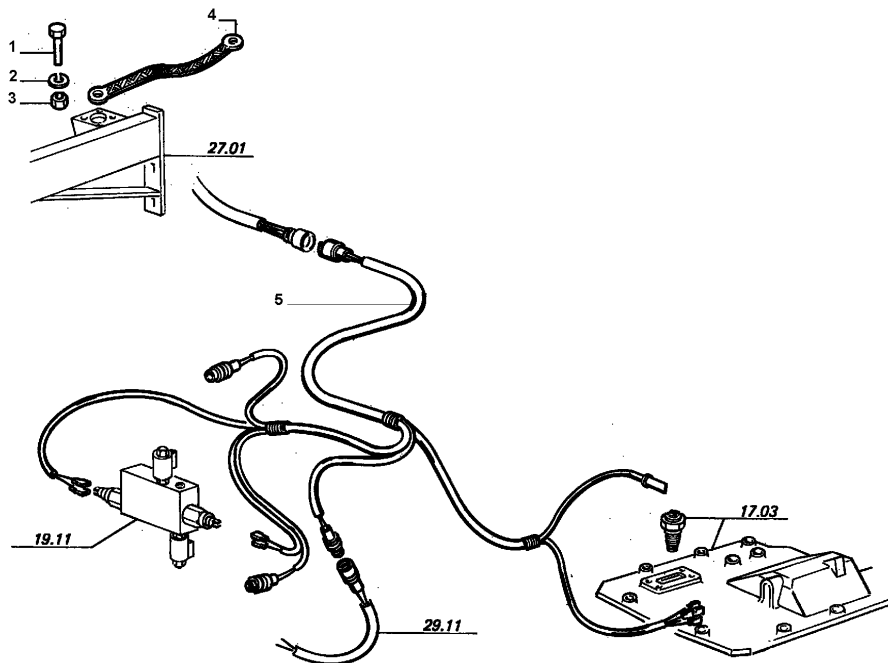
ELECTRIC SYSTEM

29.0
3_3

CONTROL CIRCUITS page 3

MTB "AL" AL REV (551900213_551900999)

29.03_3



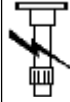
- 1 16043424
- 2 12034571
- 3 16100811
- 4 323011350
- 5 0032347030
00

- 1 SCREW
- 1 LOCK WASHE
- 2 NUT
- 1 EARTH WIRE
- 1 CABLE

ELECTRIC SYSTEM

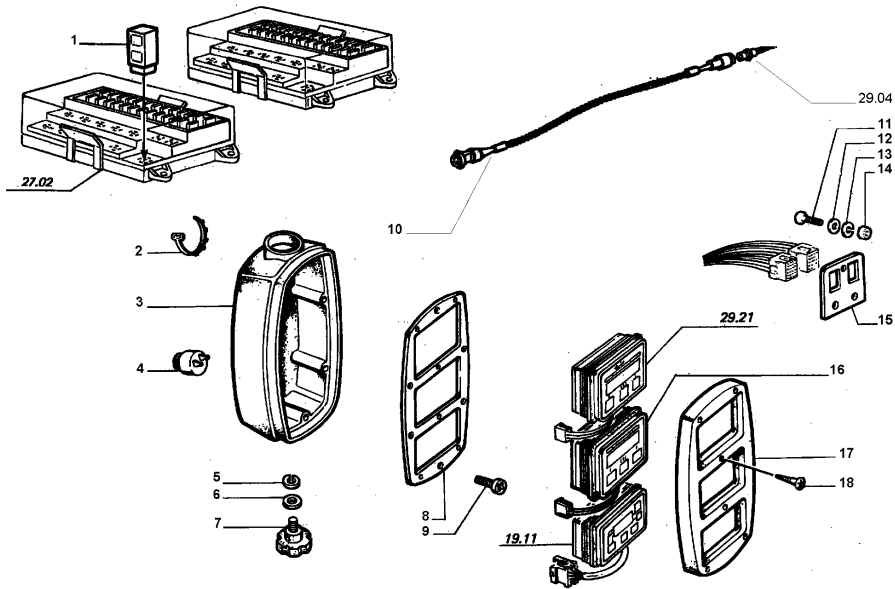
DIGITAL INSTRUMENTATION page1

29.1
1_1



29.11_1

MTB "AL" AL REV (551900213_551900999)




- | | | | |
|----|-----------|---|------------|
| 1 | 322361200 | 1 | TIMER |
| 2 | 340481810 | 1 | CLAMP |
| 3 | 322053750 | 1 | BODY |
| 4 | 322355400 | 1 | BUZZER |
| 5 | 12034571 | 1 | LOCK WASHE |
| 6 | 355510820 | 1 | WASHER |
| 7 | 322079650 | 1 | HANDWHEEL |
| 8 | 322054950 | 1 | FLANGE |
| 9 | 13276114 | 1 | SCREW |
| 10 | 322366700 | 1 | WIRE/CABLE |
| 11 | 10902124 | 1 | SCREW |
| 12 | 355500715 | 1 | WASHER |
| 13 | 12035670 | 1 | LOCK WASHE |
| 14 | 15896221 | 1 | NUT |
| 15 | 322076050 | 1 | PLATE |
| 16 | 322854500 | 1 | COMPUTER |
| 17 | 322055050 | 1 | FRONT |
| 18 | 15910107 | 1 | SCREW |

● 000120356710 (1)

ELEVATOR

19.0
4_02

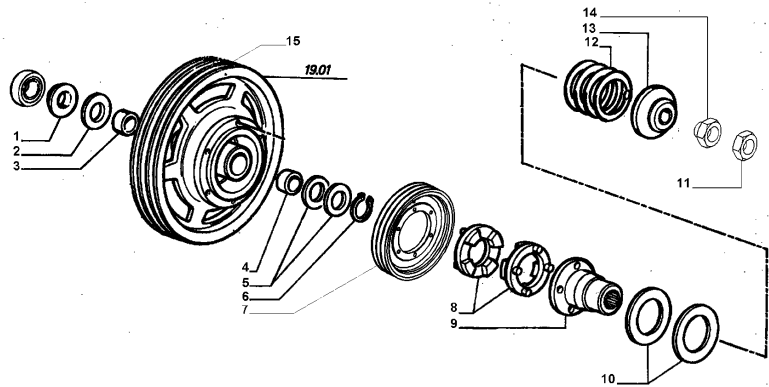


19.04_02

FRONT ELEVATOR

MTB "AL" AL REV (551900213_551900999)

- | | | | | |
|----|-----------|--------------------|---|-------------|
| 1 | 322223150 | | 1 | WASHER |
| 2 | 322223250 | | 1 | WASHER |
| 3 | 322222950 | | 1 | BEARING |
| 4 | 321933750 | | 1 | BEARING |
| 5 | 355544610 | | 1 | WASHER |
| 6 | 11068876 | | 1 | SPRING LOC |
| 7 | 323215350 | | 1 | PULLEY |
| 8 | 322701550 | | 1 | SLEEVE |
| 9 | 321886750 | ● 003218867503 (1) | 1 | HUB |
| 10 | 321915150 | ● 003219151505 (1) | 1 | WASHER |
| 11 | 10726711 | | 1 | NUT |
| 12 | 353561115 | | 1 | SPRING |
| 13 | 322652250 | | 1 | PLATE, THRU |
| 14 | 323180050 | | 1 | NUT |
| 15 | 321950550 | | 1 | PULLEY |

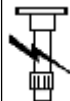


ELEVATOR

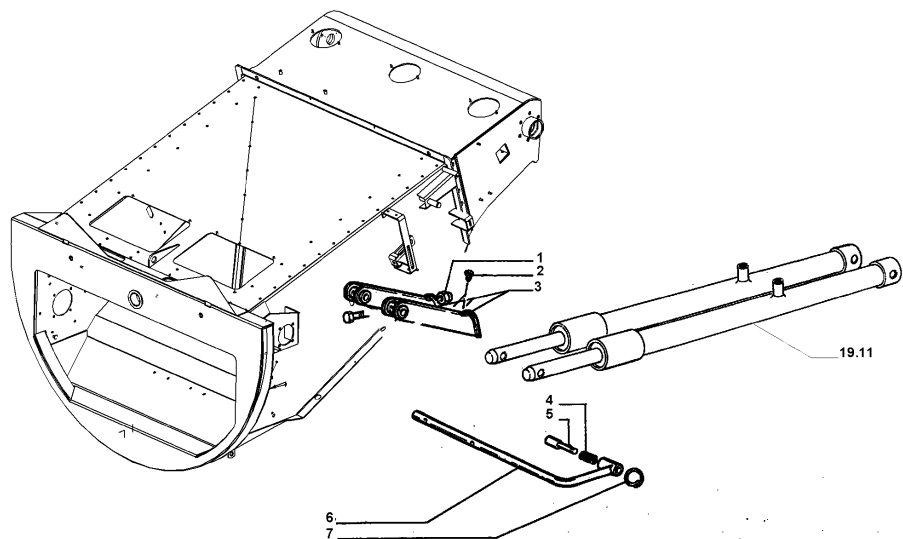
19.0
4_11

FRONT ELEVATOR

MTB "AL" AL REV (551900213_551900999)



19.04_11



- 1 16104111
- 2 321289750
- 3 322860350
- 4 350356444
- 5 301592030
- 6 322860450
- 7 301592031

- 1 NUT
- 1 GROMMET
- 1 RETAINER
- 1 SPRING
- 1 RUNG
- 1 LEVER LEAD
- 1 RING

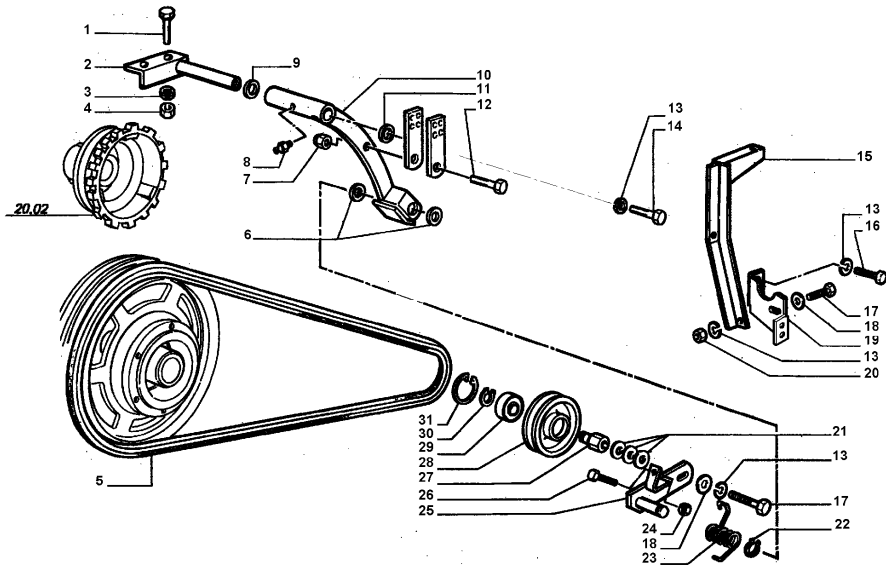
ELEVATOR

19.1
4_2

REVERSER page2

MTB "AL" AL REV (551900213_551900999)

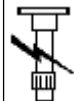
19.14_2



- | | | | |
|----|-----------|---|------------|
| 1 | 11106224 | 1 | SCREW |
| 2 | 322041350 | 1 | PIN |
| 3 | 12034671 | 1 | LOCK WASHE |
| 4 | 11701721 | 1 | NUT |
| 5 | 340433984 | 1 | BELT |
| 6 | 355535410 | 1 | WASHER |
| 7 | 12577511 | 1 | NUT |
| 8 | 350357852 | 1 | NIPPLE, LU |
| 9 | 355536720 | 1 | WASHER |
| 10 | 322041450 | 1 | ARM |
| 11 | 355511210 | 1 | WASHER |
| 12 | 11112824 | 1 | SCREW |
| 13 | 12034771 | 3 | LOCK WASHE |
| 14 | 11112221 | 1 | SCREW |
| 15 | 321864250 | 1 | STRUT |
| 16 | 16055221 | 1 | SCREW |
| 17 | 11112621 | 1 | SCREW |
| 18 | 355501330 | 2 | WASHER |
| 19 | 322860250 | 1 | SUPPORT |
| 20 | 11702921 | 1 | NUT |
| 21 | 355511220 | 1 | WASHER |
| 22 | 11067076 | 1 | SPRING LOC |
| 23 | 350356828 | 1 | SPRING |
| 24 | 16100811 | 1 | NUT |
| 25 | 322041150 | 1 | SUPPORT |
| 26 | 16043821 | 1 | SCREW |
| 27 | 322041250 | 1 | PIN |
| 28 | 300033832 | 1 | TENSIONER, |
| 29 | 322638450 | 1 | BEARING |
| 30 | 11067376 | 1 | SPRING LOC |
| 31 | 11060576 | 1 | SPRING LOC |

● 003000338323 (1)

Engine IVECO NEF TIER 3



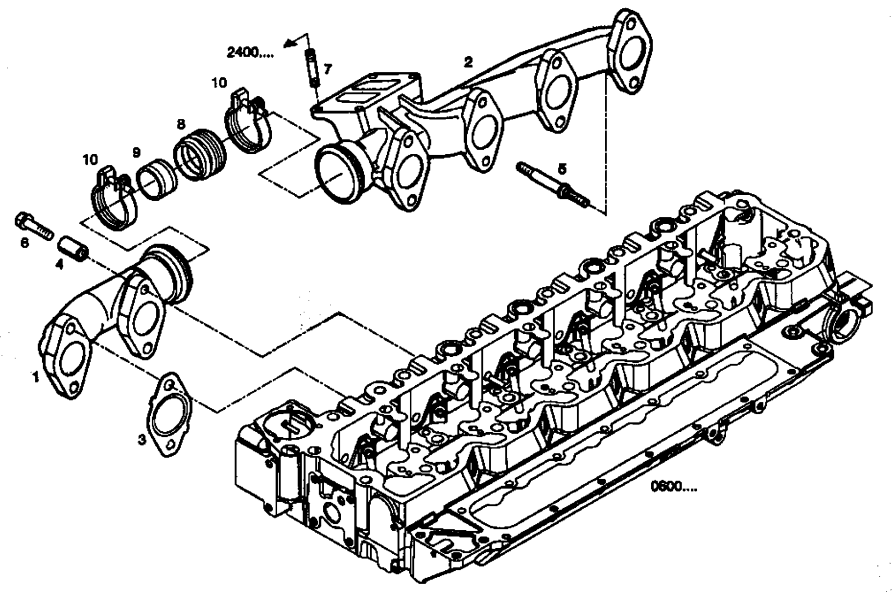
MTB "AL" AL REV (551900213_551900999)

Exhaust manifold

EXHAUST MANIFOLD
Collettore scarico
Conduit d'échappement
Auspuffkrümmer
Colector de escape

0760.207

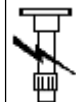
1/1



- 1 4897890
- 2 4897889
- 3 2830444
- 4 4895336
- 5 4895219
- 6 4895174
- 7 4899085
- 8 99440117
- 9 99454993
- 10 504047548

- 1 MANIFOLD
- 1 MANIFOLD
- 6 GASKET
- 12 SPACER
- 4 STUD
- 8 SCREW
- 4 STUD
- 1 SLEEVE
- 1 RING
- 1 COLLAR

Engine IVECO NEF TIER 3



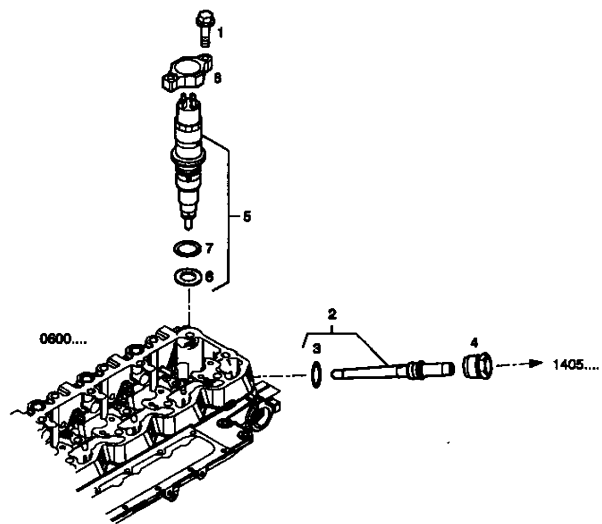
Nozzles

MTB "AL" AL REV (551900213_551900999)

INJECTORS
Iniettori
Injecteurs
Einspritzdüsen
Inyectores

1420.154

1/1



- 1 4895483
- 2 504100835
- 3 4890929
- 4 4893739
- 5 504128307
- 6 4899689
- 7 4890926
- 8 504091492

- 12 SCREW
- 6 PIPE
- 6 GASKET
- 6 NUT
- 6 INJECTOR
- 6 RING
- 6 O-RING
- 1 STIRRUP

Engine IVECO NEF TIER 3

Power take off

MTB "AL" AL REV (551900213_551900999)



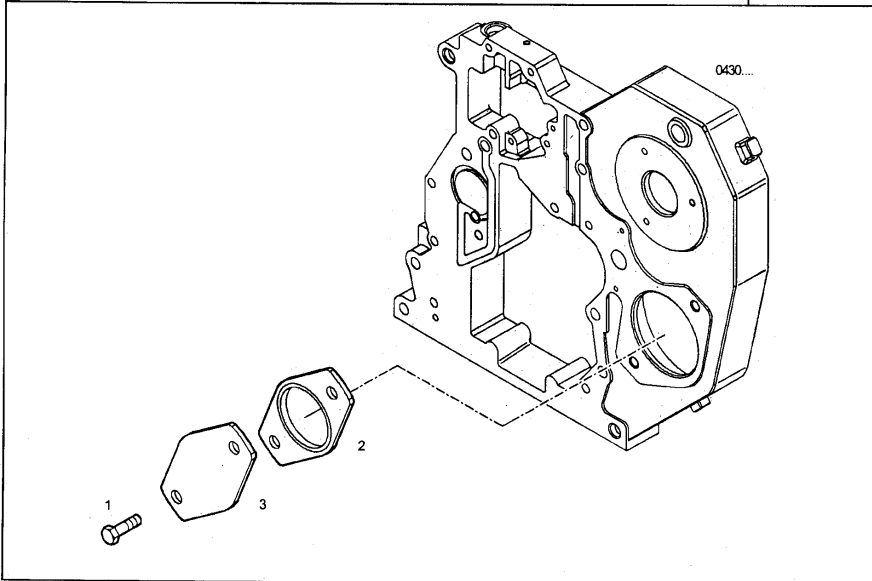
- 1 16677735
- 2 4896897
- 3 504049033

- 2 SCREW
- 1 GASKET
- 1 COVER

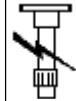
POWER TAKE OFF

Prese di forza
Prises de force
Nabenantrieb
Toma de fuerza

3500.042



Engine IVECO NEF TIER 3



Bedplate

MTB "AL" AL REV (551900213_551900999)

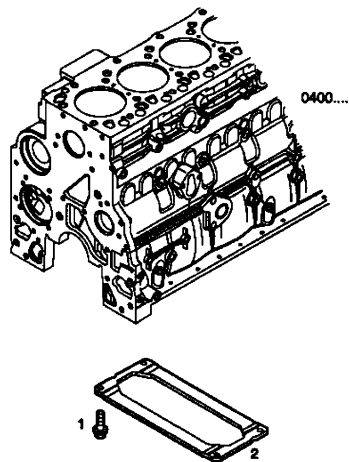
- 1 4899032
- 2 504076109

- 14 SCREW
- 1 PLATE

BEDPLATE
Sottobasamento
Sous-bloc
Unterbau
Subplancha base

0409.002

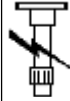
1/1



Engine IVECO NEF TIER 3

Turbocharger

MTB "AL" AL REV (551900213_551900999)

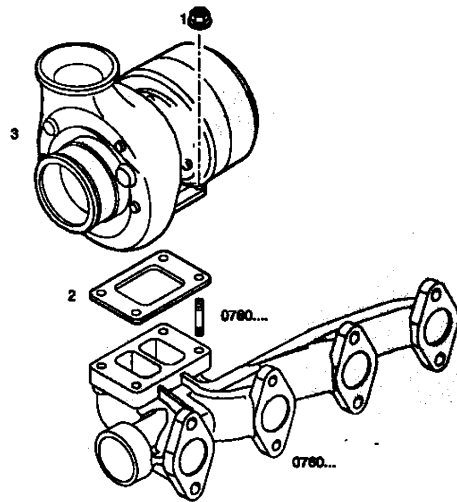


- | | | | | |
|---|-----------|--------------------|---|------------|
| 1 | 4899086 | | 4 | NUT |
| 2 | 4895099 | | 1 | GASKET |
| 3 | 504151319 | ● 005040812720 (1) | 1 | TURBOCHARG |

TURBOCHARGER
Turboffiante
Turbocompresseur
Abgasturbolader
Sobrealimentador

2400.250

1/1



CLICK HERE TO **DOWNLOAD** THE COMPLETE MANUAL

- Thank you very much for reading the preview of the manual.
- You can download the complete manual from: www.heydownloads.com by clicking the link below



- Please note: If there is no response to CLICKING the link, please download this PDF first and then click on it.

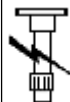
CLICK HERE TO **DOWNLOAD** THE COMPLETE MANUAL

ENGINE INSTALLATION

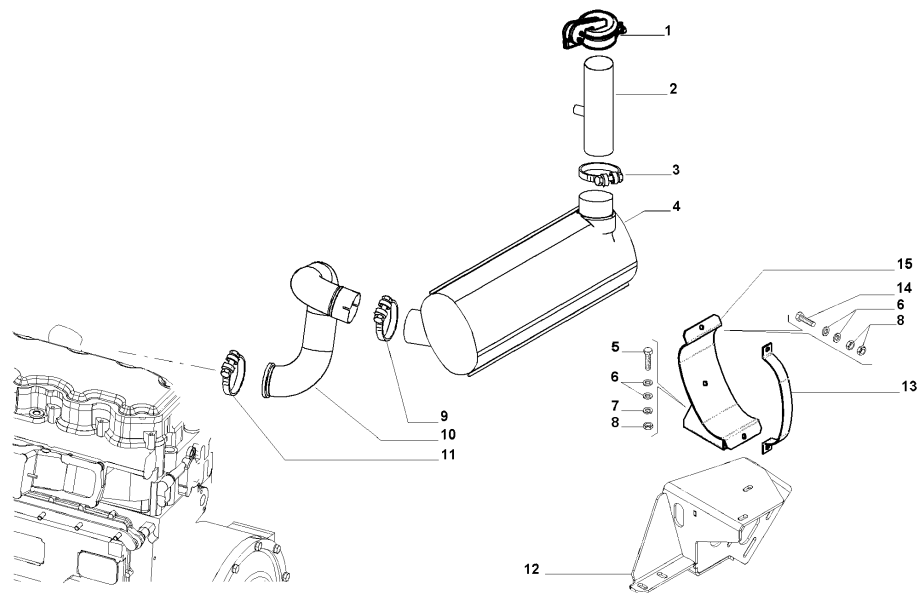
10.0
4_1

EXAHAUST SILENCER

MTB "AL" AL REV (551900213_551900999)



10.04_1



- | | | | |
|----|-----------|---|------------|
| 1 | 321852200 | 1 | COVER |
| 2 | 322231850 | 1 | TUBE |
| 3 | 321816400 | 1 | BRIDLE |
| 4 | 322229550 | 1 | MUFFLER |
| 5 | 16043624 | 1 | SCREW |
| 6 | 355500920 | 2 | WASHER |
| 7 | 12034571 | 1 | LOCK WASHE |
| 8 | 16100811 | 2 | NUT |
| 9 | 322559800 | 1 | BRIDLE |
| 10 | 323013050 | 1 | PIPE |
| 11 | 323051650 | 1 | BRIDLE |
| 12 | 323077450 | 1 | SUPPORT |
| 13 | 321815750 | 1 | BRIDLE |
| 14 | 16043924 | 1 | SCREW |
| 15 | 322871350 | 1 | BRIDLE |

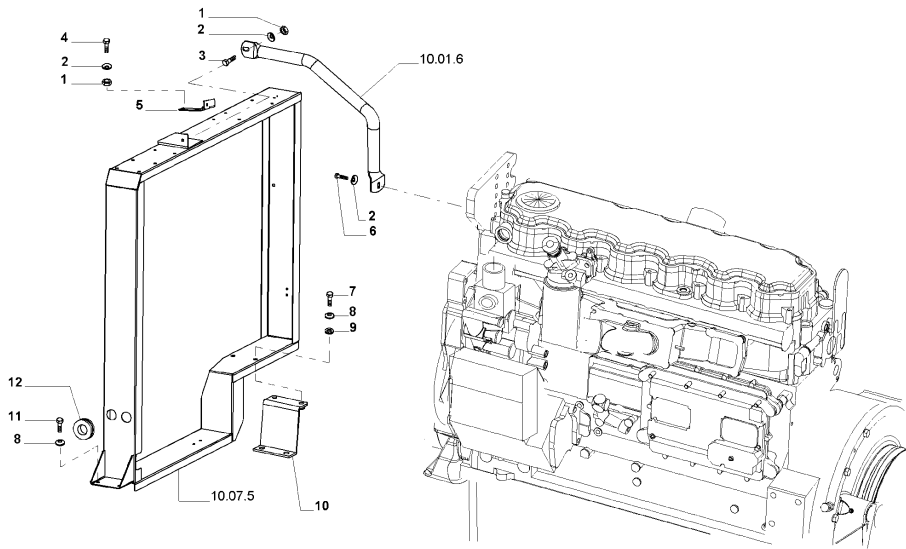
ENGINE INSTALLATION

10.0
7_6

RADIATOR FILTER page 6

MTB "AL" AL REV (551900213_551900999)

10.07_6



- 1 16100811
- 2 322358
- 3 16043221
- 4 16043421
- 5 322957650
- 6 16043624
- 7 11106421
- 8 140045
- 9 355501120
- 10 322910850
- 11 11106621
- 12 320432450

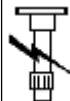
- 1 NUT
- 1 WASHER
- 1 SCREW
- 1 SCREW
- 1 STIRRUP
- 1 SCREW
- 1 SCREW
- 2 WASHER
- 1 WASHER
- 1 STIRRUP
- 1 SCREW
- 1 GROMMET

ENGINE INSTALLATION

10.1
6_1

RADIATOR FILTER INTAKE

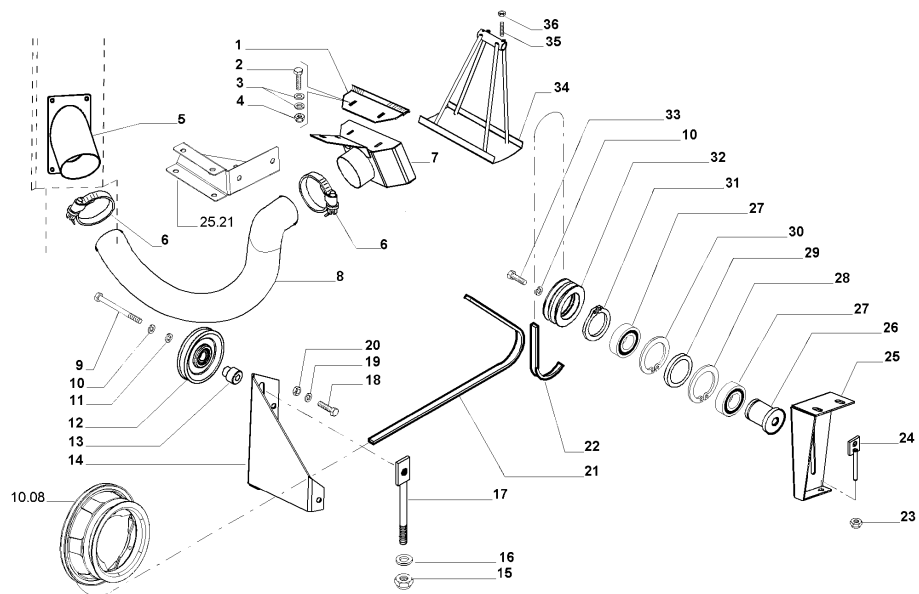
MTB "AL" AL REV (551900213_551900999)



10.16_1

- 35 366340814
- 36 16102311

- 1 SCREW
- 1 NUT



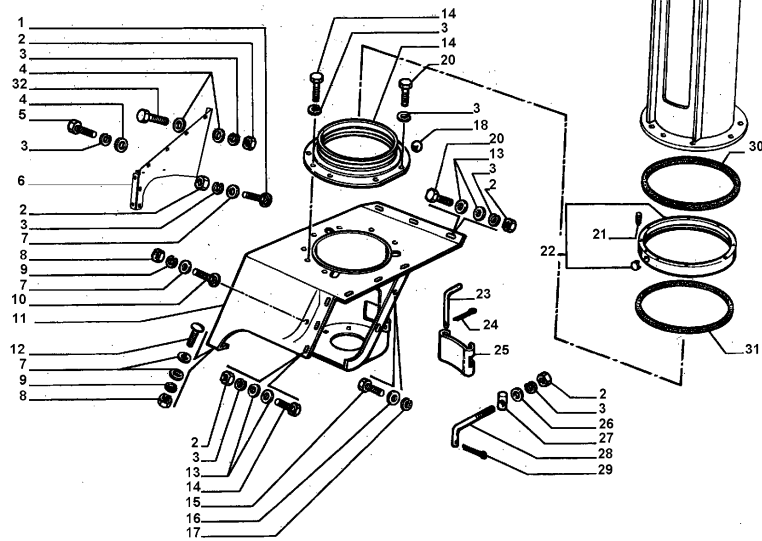
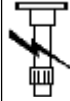
GRAIN TANK AND FAIRINGS

25.0
7_1

GRAIN TANK UNLOADING VERTICAL TUBE page 1

MTB "AL" AL REV (551900213_551900999)

25.07_1



- | | | | |
|----|-----------|---|------------|
| 1 | 350342511 | 1 | SCREW |
| 2 | 16100811 | 1 | NUT |
| 3 | 12034571 | 1 | LOCK WASHE |
| 4 | 355500915 | 1 | WASHER |
| 5 | 16043221 | 1 | SCREW |
| 6 | 323043050 | 1 | REINFORCEM |
| 7 | 355501120 | 1 | WASHER |
| 8 | 11701711 | 1 | NUT |
| 9 | 12034671 | 1 | LOCK WASHE |
| 10 | 350342525 | 1 | SCREW |
| 11 | 323037850 | 1 | SUPPORT |
| 12 | 350342520 | 1 | SCREW |
| 13 | 355510820 | 1 | WASHER |
| 14 | 16043421 | 1 | SCREW |
| 15 | 10979421 | 1 | SCREW |
| 16 | 355500715 | 1 | WASHER |
| 17 | 12035670 | 1 | LOCK WASHE |
| 18 | 20063520 | 1 | BALL |
| 19 | 322363750 | 1 | RING |
| 20 | 16043621 | 1 | SCREW |
| 21 | 13798870 | 1 | SCREW |
| 22 | 322364800 | 1 | RING |
| 23 | 300018233 | 1 | LATCH |
| 24 | 10733601 | 1 | LINCH PIN |
| 25 | 321953750 | 1 | LID |
| 26 | 355500930 | 1 | WASHER |
| 27 | 322001750 | 1 | PIN |
| 28 | 321953650 | 1 | TIE ROD |
| 29 | 10733601 | 1 | LINCH PIN |
| 30 | 320405350 | 1 | GASKET |
| 31 | 320405250 | 1 | GASKET |

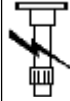
● 000120356710 (1)

GRAIN TANK AND FAIRINGS

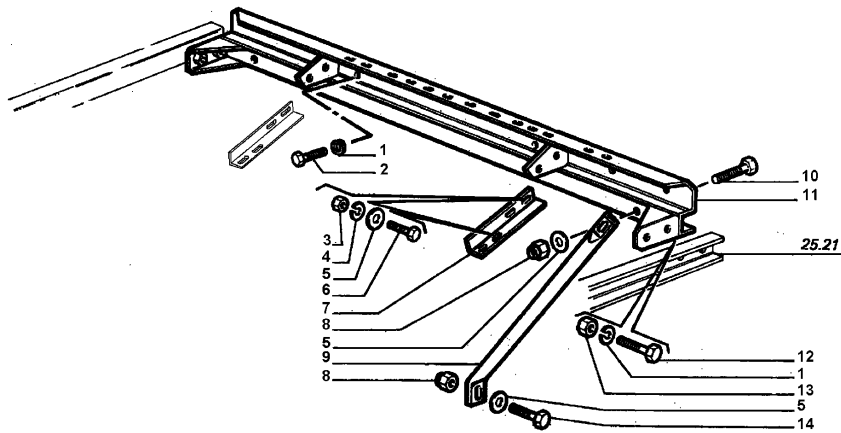
25.2
5_1

ENGINE COVER page 1

MTB "AL" AL REV (551900213_551900999)



25.25_1



- | | | | |
|----|-----------|---|------------|
| 1 | 12034571 | 1 | LOCK WASHE |
| 2 | 16044021 | 1 | SCREW |
| 3 | 11701711 | 1 | NUT |
| 4 | 12034671 | 1 | LOCK WASHE |
| 5 | 355511030 | 1 | WASHER |
| 6 | 11106221 | 1 | SCREW |
| 7 | 321865250 | 1 | ANGULAR |
| 8 | 12577211 | 1 | NUT |
| 9 | 321924550 | 1 | STRUT |
| 10 | 11106624 | 1 | SCREW |
| 11 | 323041650 | 1 | PROFILE |
| 12 | 16043424 | 1 | SCREW |
| 13 | 16100811 | 1 | NUT |
| 14 | 11106624 | 1 | SCREW |

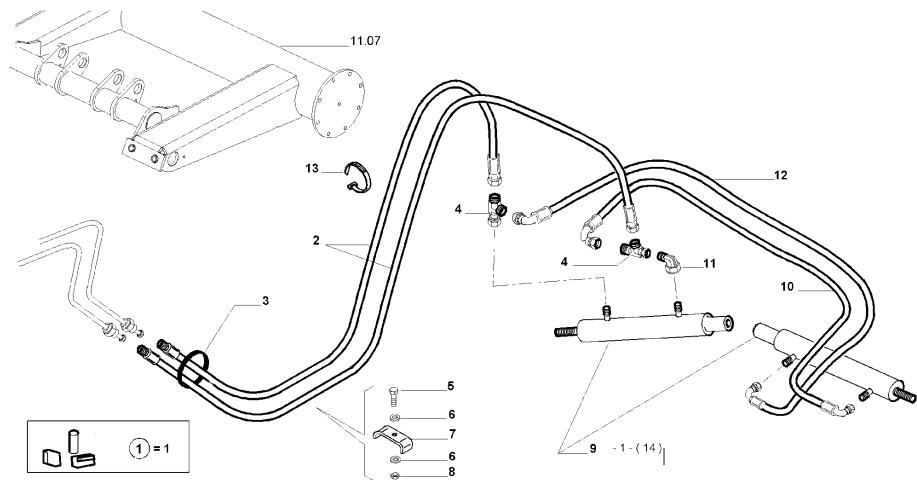
HYDRAULIC SYSTEM

28.0
5_3

DRIVE HYDRAULIC CIRCUIT page3

MTB "AL" AL REV (551900213_551900999)

28.05_3



- | | | | |
|----|-----------|---|-----------|
| 1 | 322545600 | 1 | KIT SEALS |
| 2 | 323082550 | 2 | HOSE |
| 3 | 353581124 | 1 | O-RING |
| 4 | 321473450 | 2 | UNION |
| 5 | 10903221 | 1 | SCREW |
| 6 | 355510615 | 2 | WASHER |
| 7 | 400010215 | 1 | STIRRUP |
| 8 | 15896211 | 1 | NUT |
| 9 | 322545400 | 1 | JACK |
| 10 | 322873850 | 1 | HOSE |
| 11 | 322736050 | 1 | UNION |
| 12 | 322873950 | 1 | HOSE |
| 13 | 340481810 | 1 | CLAMP |
| 14 | 322545500 | 1 | JACK |

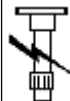
● 003225454000 (1)

HYDRAULIC SYSTEM

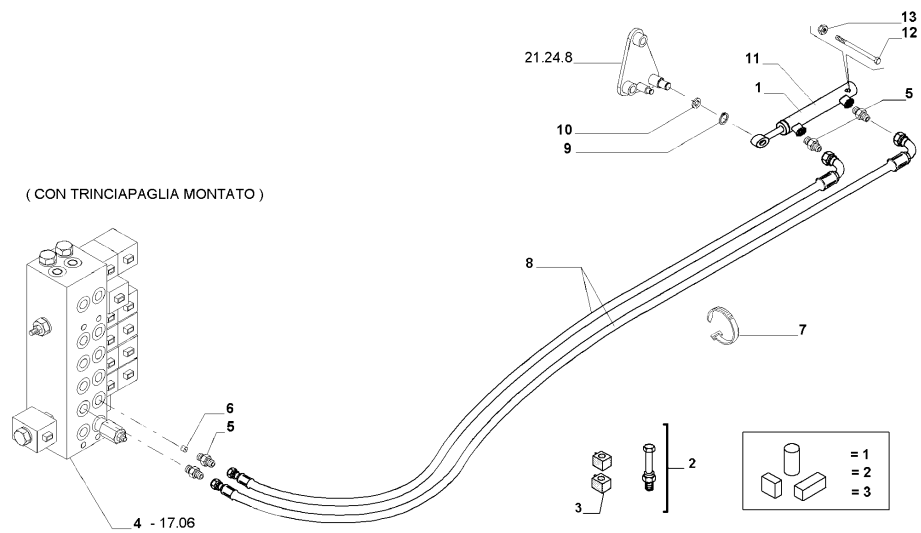
28.1
9_1

DRIVE

MTB "AL" AL REV (551900213_551900999)



28.19_1



- | | | | | |
|----|-----------|--------------------|---|------------|
| 1 | 322784100 | | 1 | KIT SEALS |
| 2 | 322771100 | | 1 | ELECTRO-VA |
| 3 | 323109050 | | 1 | COIL |
| 4 | 323093200 | | 1 | BLOCK |
| 5 | 322788600 | | 4 | UNION |
| 6 | 322787550 | | 2 | VALVE |
| 7 | 340481808 | ● 003404818090 (1) | 1 | CLAMP |
| 8 | 322771650 | | 2 | HOSE |
| 9 | 11066476 | | 1 | SPRING LOC |
| 10 | 355532610 | | 1 | WASHER |
| 11 | 322770900 | | 1 | JACK |
| 12 | 11114221 | | 1 | SCREW |
| 13 | 12577511 | | 1 | NUT |

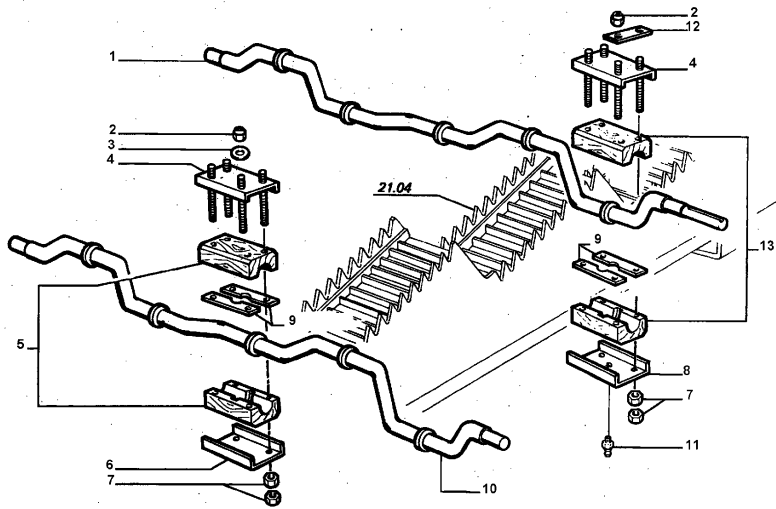
STRAW WALKERS

21.0
6_1

PARTS FOR NORMALS SOILS page 1

MTB "AL" AL REV (551900213_551900999)

21.06_1



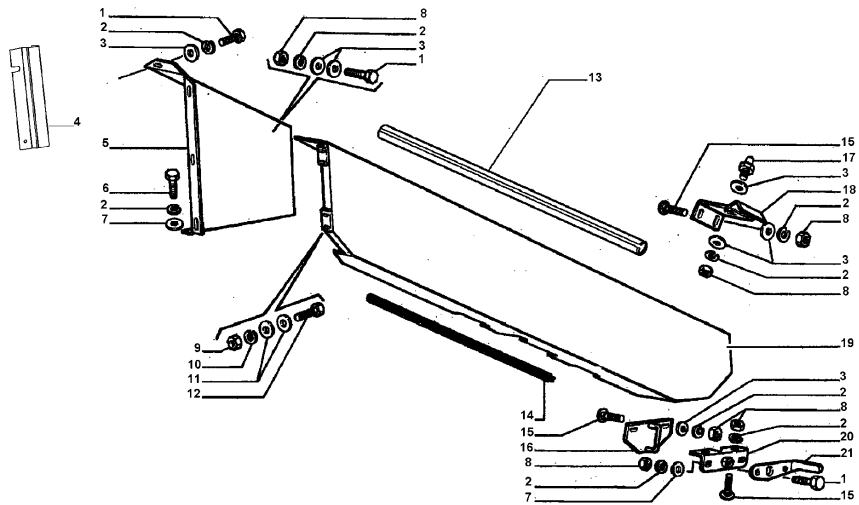
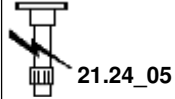
- | | | | |
|----|-----------|---|------------|
| 1 | 322125550 | 1 | SHAFT |
| 2 | 12577211 | 1 | NUT |
| 3 | 355501130 | 1 | WASHER |
| 4 | 322177700 | 1 | PLATE |
| 5 | 321130450 | 1 | SUPPORT |
| 6 | 300135128 | 1 | PLATE |
| 7 | 11701721 | 1 | NUT |
| 8 | 321741350 | 1 | PLATE |
| 9 | 322177850 | 1 | SHIM |
| 10 | 322125450 | 1 | SHAFT |
| 11 | 350357803 | 1 | NIPPLE, LU |
| 12 | 322167550 | 1 | STRAP |
| 13 | 322245250 | 1 | SUPPORT |

STRAW WALKERS

21.2
4_05

STRAW CHOPPER-DRIVE GUARD

MTB "AL" AL REV (551900213_551900999)



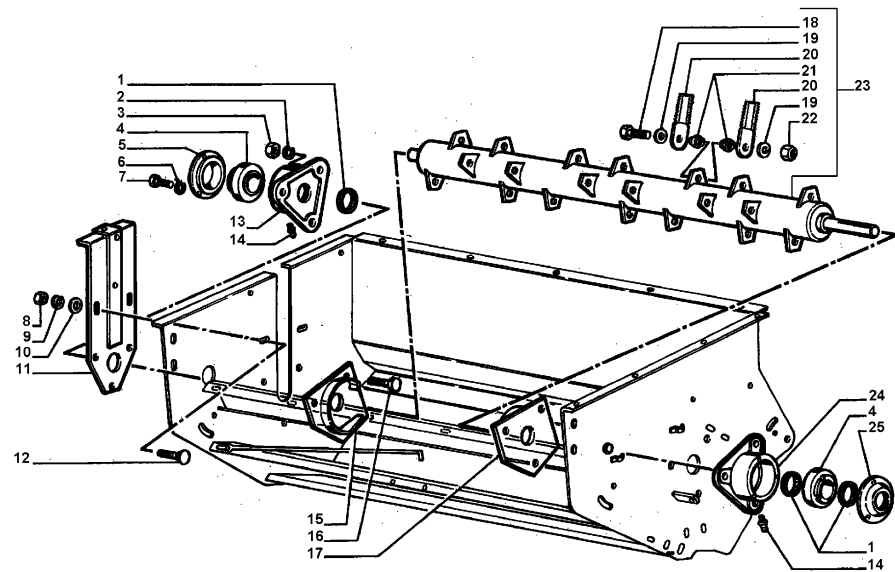
- | | | | |
|----|-----------|---|------------|
| 1 | 16043421 | 1 | SCREW |
| 2 | 12034571 | 1 | LOCK WASHE |
| 3 | 355510820 | 1 | WASHER |
| 4 | 323012150 | 1 | SHIELD |
| 5 | 322344750 | 1 | SHIELD |
| 6 | 16043221 | 1 | SCREW |
| 7 | 355500920 | 1 | WASHER |
| 8 | 16100811 | 1 | NUT |
| 9 | 15896211 | 1 | NUT |
| 10 | 12035671 | 1 | LOCK WASHE |
| 11 | 355500715 | 1 | WASHER |
| 12 | 10902221 | 1 | SCREW |
| 13 | 322795450 | 1 | PROFILE |
| 14 | 322351350 | 1 | PROFILE |
| 15 | 350342511 | 1 | SCREW |
| 16 | 322345650 | 1 | STRAP |
| 17 | 322171950 | 1 | PIN |
| 18 | 322345750 | 1 | SUPPORT |
| 19 | 322790650 | 1 | SHIELD |
| 20 | 322316750 | 1 | LOCK |
| 21 | 322365350 | 1 | LEVER |

STRAW WALKERS

21.2
4_13

STRAW CHOPPER-CHOPPER DRUM

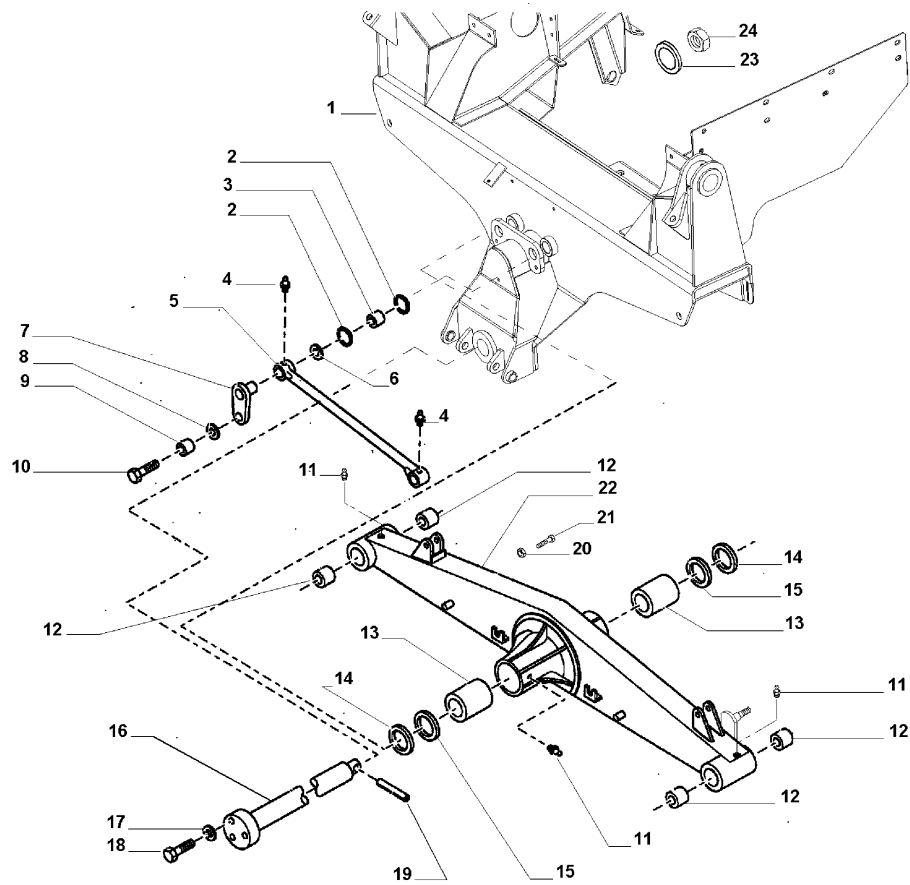
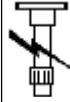
MTB "AL" AL REV (551900213_551900999)



- | | | | |
|----|-----------|---|------------|
| 1 | 353587212 | 1 | GASKET |
| 2 | 12034771 | 1 | LOCK WASHE |
| 3 | 11702911 | 1 | NUT |
| 4 | 340403646 | 1 | BEARING |
| 5 | 322329850 | 1 | COVER |
| 6 | 10615479 | 1 | LOCK WASHE |
| 7 | 10902421 | 1 | SCREW |
| 8 | 16100811 | 1 | NUT |
| 9 | 12034571 | 1 | LOCK WASHE |
| 10 | 355510820 | 1 | WASHER |
| 11 | 322350450 | 1 | PANEL |
| 12 | 350342511 | 1 | SCREW |
| 13 | 322329650 | 1 | SUPPORT |
| 14 | 350357851 | 1 | NIPPLE, LU |
| 15 | 322228050 | 1 | SUPPORT |
| 16 | 11112821 | 1 | SCREW |
| 17 | 322162250 | 1 | SUPPORT |
| 18 | 11343834 | 1 | SCREW |
| 19 | 322330550 | 1 | WASHER |
| 20 | 322326450 | 1 | KNIFE |
| 21 | 322331350 | 1 | BUSH |
| 22 | 12575621 | 1 | NUT |
| 23 | 322332300 | 1 | ROTOR |
| 24 | 322329650 | 1 | SUPPORT |
| 25 | 322329750 | 1 | COVER |

MTB "AL" AL REV (551900213_551900999)

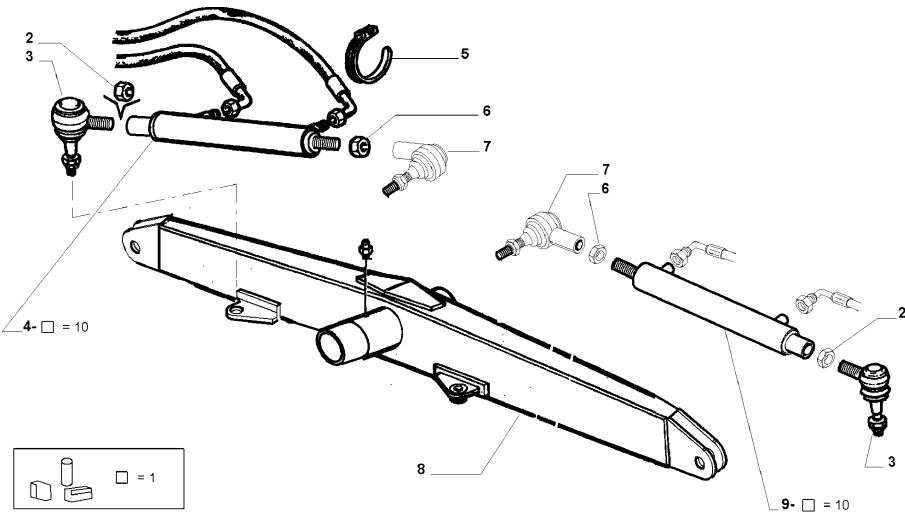
11.03_2



- | | | | |
|----|-----------|---|------------|
| 1 | 323365150 | 1 | FRAME |
| 2 | 11061076 | 2 | SPRING LOC |
| 3 | 340413418 | 1 | BALL JOINT |
| 4 | 350357804 | 2 | NIPPLE, LU |
| 5 | 321736650 | 1 | STRUT |
| 6 | 320552650 | 1 | SPACER |
| 7 | 321733550 | 1 | PIN |
| 8 | 355530830 | 1 | WASHER |
| 9 | 321733450 | 1 | THIMBLE |
| 10 | 11112421 | 1 | SCREW |
| 11 | 350357803 | 3 | NIPPLE, LU |
| 12 | 320942450 | 4 | THIMBLE |
| 13 | 321730950 | 1 | THIMBLE |
| 14 | 321730750 | 1 | WASHER |
| 15 | 321730650 | 1 | WASHER |
| 16 | 321730550 | 1 | PIN |
| 17 | 12034671 | 1 | LOCK WASHE |
| 18 | 14420121 | 1 | SCREW |
| 19 | 10795401 | 1 | LINCH PIN |
| 20 | 16100811 | 1 | NUT |
| 21 | 16044721 | 1 | SCREW |
| 22 | 323048850 | 1 | AXLE FRONT |
| 23 | 321730850 | 1 | DISC |
| 24 | 360652736 | 1 | NUT |

MTB "AL" AL REV (551900213_551900999)

11.06_2



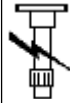
- | | | | | |
|----|-----------|--------------------|---|------------|
| 1 | 322545600 | | 1 | KIT SEALS |
| 2 | 322168750 | | 2 | NUT |
| 3 | 322168400 | | 2 | BALL JOINT |
| 4 | 322545400 | | 1 | JACK |
| 5 | 350391577 | | 1 | CLAMP |
| 6 | 10726911 | | 2 | NUT |
| 7 | 322168600 | | 2 | BALL JOINT |
| 8 | 322853450 | | 1 | FINGER BAR |
| 9 | 322545400 | | 1 | JACK |
| 10 | 322545500 | ● 003225454000 (2) | 2 | JACK |

TRACTION

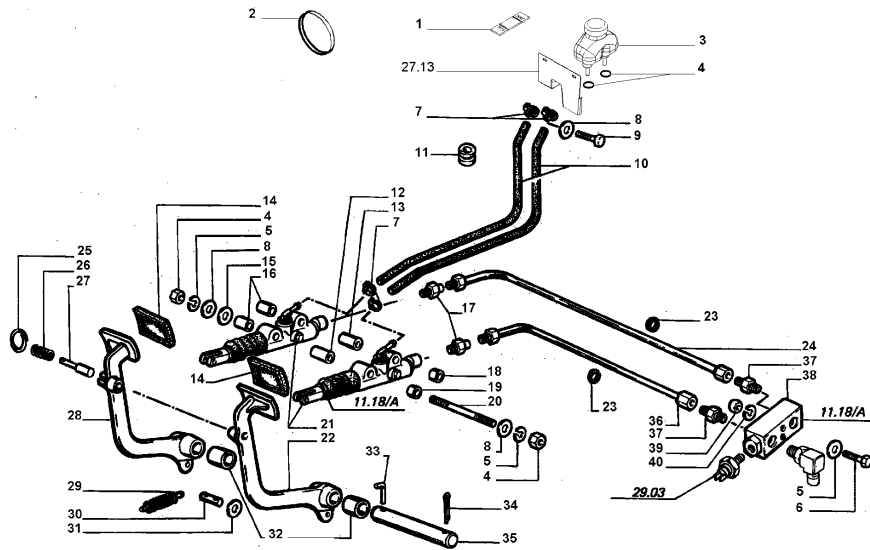
11.1
8_1

BRAKES page 1

MTB "AL" AL REV (551900213_551900999)



11.18_1



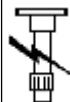
- | | | | |
|----|-----------|---|------------|
| 30 | 321097650 | 1 | PIN |
| 31 | 355500915 | 1 | WASHER |
| 32 | 322072050 | 1 | BUSH |
| 33 | 322017150 | 1 | DOWEL |
| 34 | 10734901 | 1 | LINCH PIN |
| 35 | 322016650 | 1 | PIN |
| 36 | 322016750 | 1 | BRAKE LINE |
| 37 | 322017050 | 1 | UNION |
| 38 | 322016900 | 1 | BLOCK |
| 39 | 15896221 | 1 | NUT |
| 40 | 12035670 | 1 | LOCK WASHE |
- 000120356710 (1)

TRACTION

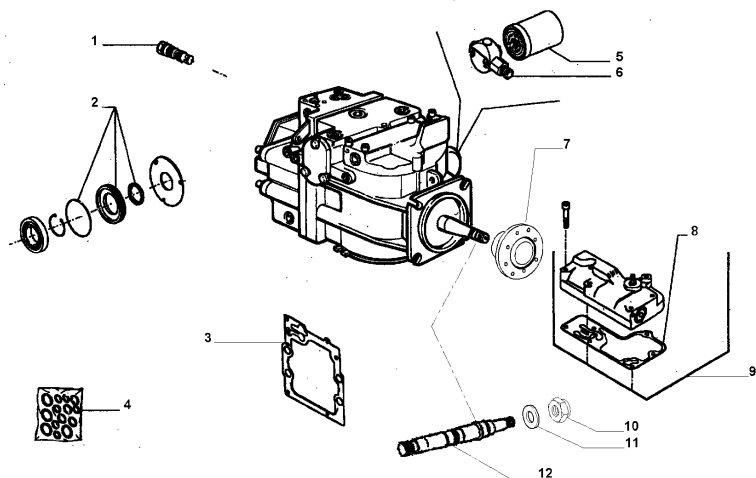
17.0
1_A

HYDROSTATIC PUMP ELEMENTS

MTB "AL" AL REV (551900213_551900999)



17.01_A



- | | | | |
|----|-----------|---|------------|
| 1 | 322180000 | 1 | VALVE |
| 2 | 322180400 | 1 | KIT SEALS |
| 3 | 322329450 | 1 | GASKET |
| 4 | 322179900 | 1 | KIT SEALS |
| 5 | 322104400 | 1 | FILTER, EL |
| 6 | 322180550 | 1 | HEAD |
| 7 | 322981650 | 1 | HUB |
| 8 | 322180250 | 1 | GASKET |
| 9 | 322180100 | 1 | VALVE |
| 10 | 323076050 | 1 | NUT |
| 11 | 355502540 | 1 | WASHER |
| 12 | 323075850 | 1 | SHAFT |

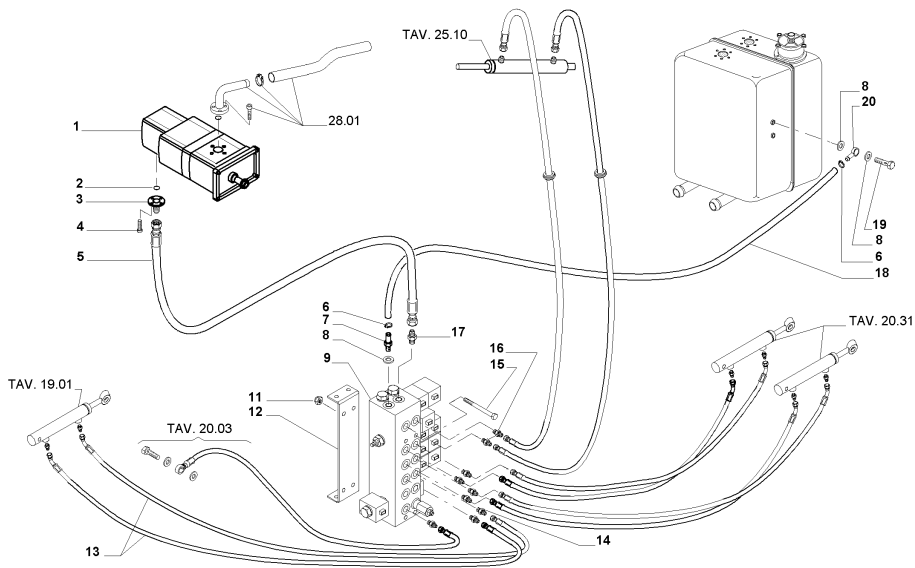
TRACTION

17.0
6_2

OIL TANK page 2

MTB "AL" AL REV (551900213_551900999)

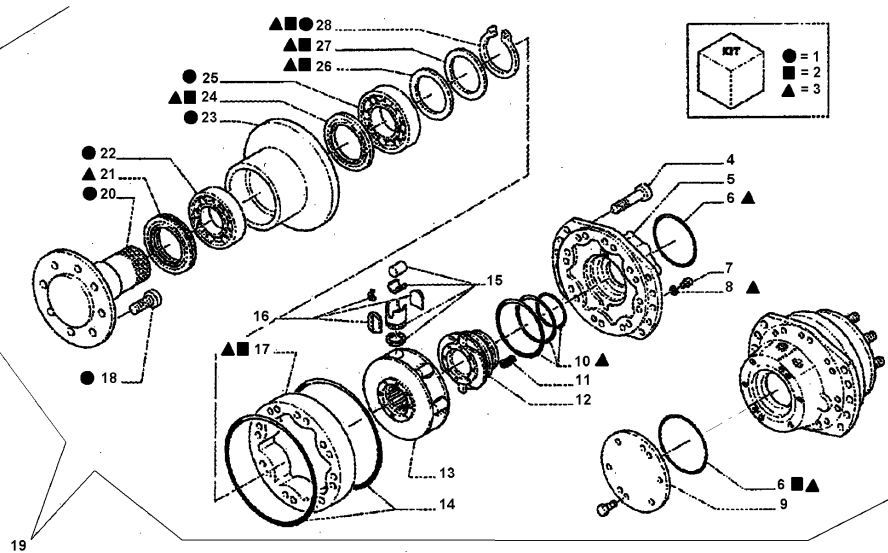
17.06_2



- | | | | | | |
|----|------------|---|------------------|---|------------|
| 1 | 323160600 | ● | 003001352040 (8) | 1 | PUMP |
| | | | 003503915260 (8) | | |
| | | | 003503915140 (1) | | |
| | | | 003503587420 (1) | | |
| | | | 000120354710 (1) | | |
| | | | 003221223000 (1) | | |
| | | | 003231507500 (1) | | |
| | | | 003233173000 (2) | | |
| | | | 000143042210 (1) | | |
| | | | 003233169500 (3) | | |
| | | | 003233798500 (2) | | |
| 2 | 14457180 | | | 1 | O-RING |
| 3 | 321409450 | | | 1 | FLANGE |
| 4 | 14305321 | | | 1 | SCREW |
| 5 | 323162250 | | | 1 | HOSE |
| 6 | 10186890 | | | 1 | CLAMP |
| 7 | 321946550 | | | 1 | BOLT, BANJ |
| 8 | 355571415 | | | 1 | WASHER |
| 9 | 0032340070 | | | 1 | DISTRIBUTO |
| | 00 | | | | |
| 11 | 12574211 | | | 1 | NUT |
| 12 | 323128250 | | | 1 | SUPPORT |
| 13 | 323060050 | | | 1 | HOSE |
| 14 | 322788600 | | | 1 | UNION |
| 15 | 11032321 | | | 1 | SCREW |
| 16 | 322819000 | | | 1 | UNION |
| 17 | 322788600 | | | 1 | UNION |
| 18 | 322968350 | | | 1 | RUBBER PIP |
| 19 | 10184314 | | | 1 | UNION |
| 20 | 5150924 | | | 1 | UNION |

MTB "AL" AL REV (551900213_551900999)

17.12_3



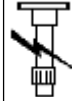
- | | | | |
|----|-----------|---|------------|
| 1 | 84018659 | 1 | SUPPORT |
| 2 | 89512219 | 1 | KIT SEALS |
| 3 | 89512220 | 1 | KIT SEALS |
| 4 | 84018635 | 1 | SCREW |
| 5 | 84018632 | 1 | COVER |
| 6 | 89512197 | 2 | O-RING |
| 7 | 84018634 | 1 | SCREW |
| 8 | 84018633 | 1 | AIRTIGHT E |
| 9 | 323100650 | 1 | COVER |
| 10 | 89512218 | 1 | KIT SEALS |
| 11 | 89512195 | 1 | SPRING |
| 12 | 89512193 | 1 | DISTRIBUTO |
| 13 | 84018630 | 1 | IMPELLER |
| 14 | 89512199 | 1 | O-RING |
| 15 | 89512215 | 1 | KIT SEALS |
| 16 | 84018631 | 1 | KIT SEALS |
| 17 | 89512192 | 1 | RING |
| 18 | 89512182 | 1 | COLUMN |
| 19 | 9512176 | 1 | HYDRAULIC |
| 20 | 89512181 | 1 | SUPPORT |
| 21 | 322718650 | 1 | GASKET |
| 22 | 89512185 | 1 | BEARING |
| 23 | 89512186 | 1 | SUPPORT |
| 24 | 89512187 | 1 | GASKET |
| 25 | 89512188 | 1 | BEARING |
| 26 | 89512217 | 1 | RING |
| 27 | 89512189 | 1 | WASHER |
| 28 | 89512190 | 1 | RING |

VARIATIONS

100
- 735

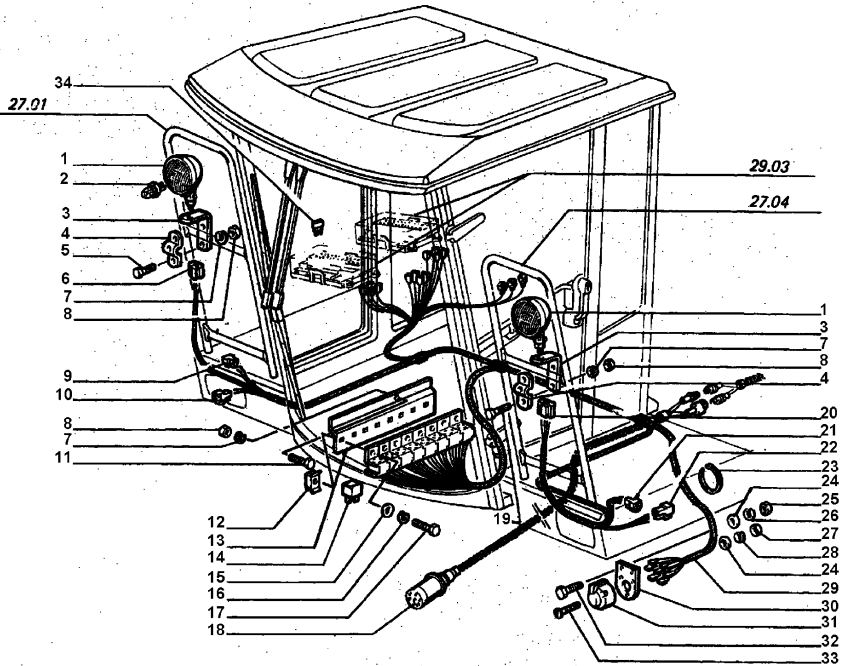
ADDITIONAL ELECTRIC SYSTEM FOR FLIP-UP MAIZE

MTB "AL" AL REV (551900213_551900999)



100735

- | | | | |
|----|----------|--------------------|--------------|
| 31 | 12053790 | ● 000051021560 (1) | 1 REAR SOCKE |
| | | 000051022340 (1) | |
| 32 | 10902424 | | 1 SCREW |
| 33 | 10390311 | | 2 SCREW |
| 34 | 11055190 | | 1 FUSE |

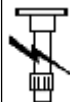


VARIATIONS

100
- 789

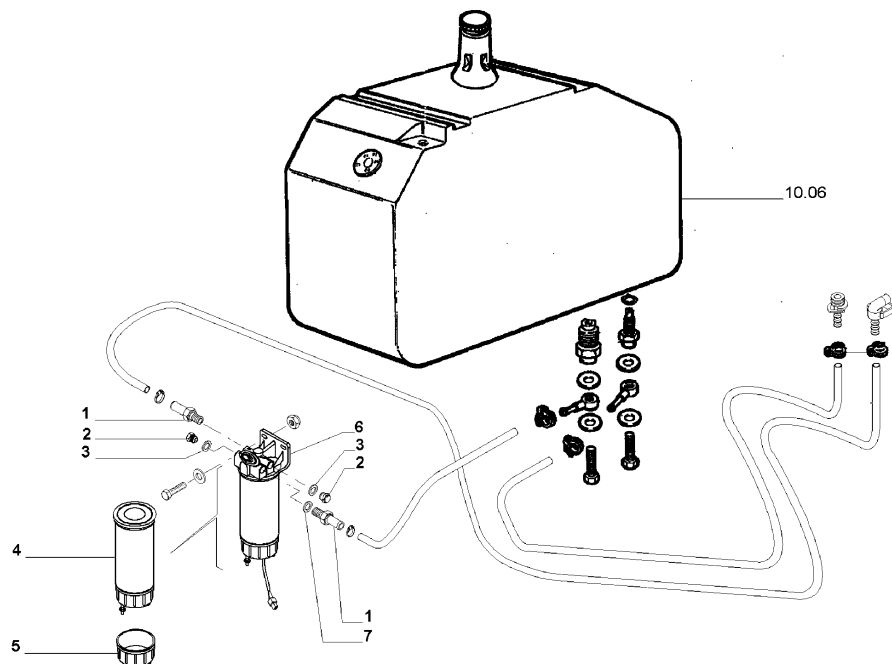
FUEL FILTER

MTB "AL" AL REV (551900213_551900999)



100789

- | | | | | |
|---|-----------|--------------------|---|-------------|
| 1 | 323182150 | | 2 | UNION |
| 2 | 10300714 | | 2 | PLUG |
| 3 | 322731950 | | 2 | WASHER |
| 4 | 323180750 | | 1 | FILTER, EL |
| 5 | 323182050 | ● 000425540660 (1) | 1 | VALVE, HYDR |
| 6 | 323180600 | | 1 | FILTER |
| 7 | 322731950 | | 1 | WASHER |



CLICK HERE TO **DOWNLOAD** THE COMPLETE MANUAL

- Thank you very much for reading the preview of the manual.
- You can download the complete manual from: www.heydownloads.com by clicking the link below



- Please note: If there is no response to CLICKING the link, please download this PDF first and then click on it.

CLICK HERE TO **DOWNLOAD** THE COMPLETE MANUAL