

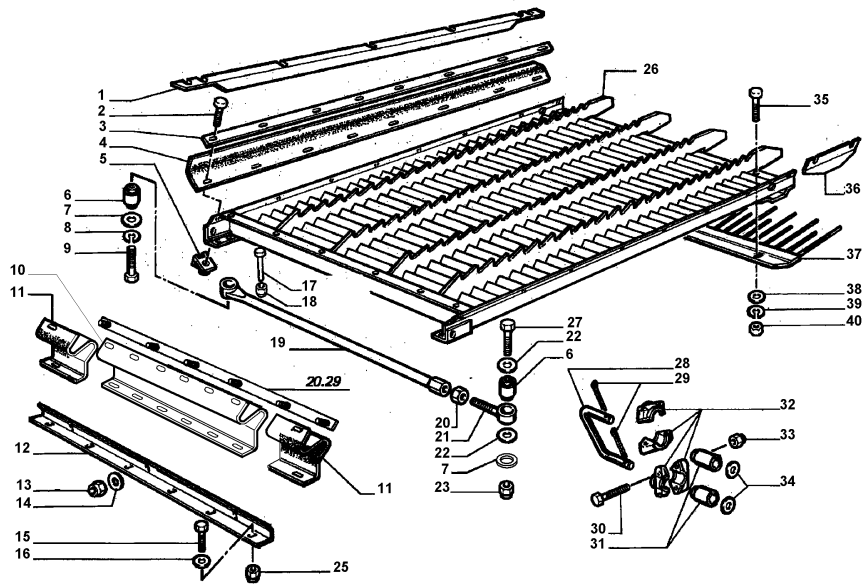
CLEANING

22.0
1

GRAIN PAN

MTB "AL" AL quattro (552000130_552009999)

22.01



- | | | | |
|----|------------|---|------------|
| 1 | 321844050 | 1 | PLATE |
| 2 | 10977821 | 1 | SCREW |
| 3 | 321828350 | 1 | STRAP |
| 4 | 321828250 | 1 | CONVEYOR |
| 5 | 322121950 | 1 | NUT |
| 6 | 340449005 | 1 | SILENTBLOC |
| 7 | 355531830 | 1 | WASHER |
| 8 | 12035571 | 1 | LOCK WASHE |
| 9 | 11116221 | 1 | SCREW |
| 10 | 323119950 | 1 | GASKET |
| 11 | 323120150 | 1 | GASKET |
| 12 | 0032335635 | 1 | PROFILE |
| | 05 | | |
| 13 | 12574111 | 1 | NUT |
| 14 | 355500615 | 1 | WASHER |
| 15 | 16043624 | 1 | SCREW |
| 16 | 355510820 | 1 | WASHER |
| 17 | 10902621 | 1 | SCREW |
| 18 | 12574211 | 1 | NUT |
| 19 | 321840050 | 1 | ARM |
| 20 | 11702921 | 1 | NUT |
| 21 | 321839950 | 1 | HEAD |
| 22 | 340415093 | 1 | SPACER |
| 23 | 12577311 | 1 | NUT |
| 25 | 16104111 | 1 | NUT |
| 26 | 0032336585 | 1 | GRAIN PAN |
| | 05 | | |
| 27 | 11116621 | 1 | SCREW |
| 28 | 321828450 | 1 | CONROD |
| 29 | 10733801 | 1 | LINCH PIN |
| 30 | 11107621 | 1 | SCREW |
| 31 | 322203650 | 1 | BUSH |
| 32 | 322194750 | 1 | SUPPORT |
| 33 | 12577211 | 1 | NUT |
| 34 | 355501930 | 1 | WASHER |

CLICK HERE TO **DOWNLOAD** THE COMPLETE MANUAL

- Thank you very much for reading the preview of the manual.
- You can download the complete manual from: www.heydownloads.com by clicking the link below



- Please note: If there is no response to CLICKING the link, please download this PDF first and then click on it.

CLICK HERE TO **DOWNLOAD** THE COMPLETE MANUAL

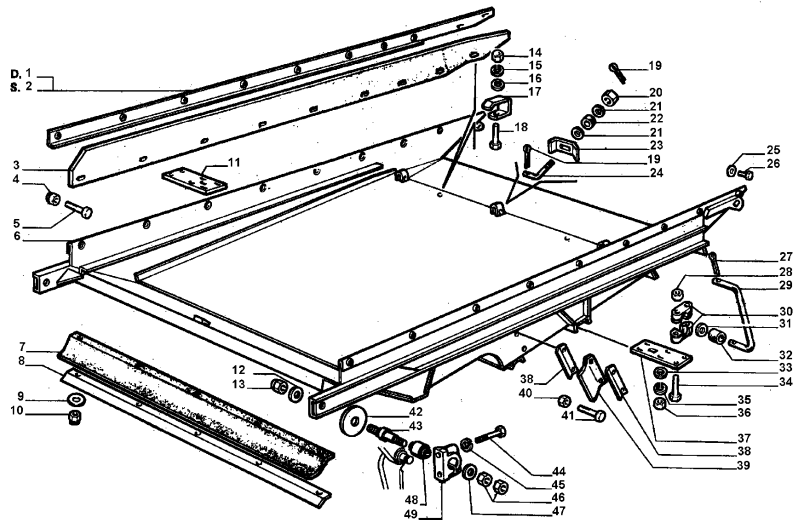
CLEANING

22.0
4_1

LOWER SHAKER SHOE page 1

MTB "AL" AL quattro (552000130_552009999)

22.04_1



- | | | | |
|----|-----------|---|------------|
| 32 | 322203650 | 1 | BUSH |
| 33 | 355510820 | 1 | WASHER |
| 34 | 11107621 | 1 | SCREW |
| 35 | 12034571 | 1 | LOCK WASHE |
| 36 | 16100811 | 1 | NUT |
| 37 | 322193650 | 1 | SUPPORT |
| 38 | 321831650 | 1 | STRAP |
| 39 | 321831550 | 1 | GASKET |
| 40 | 12574211 | 1 | NUT |
| 41 | 10902224 | 1 | SCREW |
| 42 | 321831750 | 1 | FLANGE |
| 43 | 321937350 | 1 | PIN |
| 44 | 15542821 | 1 | SCREW |
| 45 | 12034771 | 1 | LOCK WASHE |
| 46 | 12164321 | 1 | NUT |
| 47 | 355502150 | 1 | WASHER |
| 48 | 340449022 | 1 | SILENTBLOC |
| 49 | 321829850 | 1 | THIMBLE |

CLEANING

22.0
7_2

TAILINGS ELEVATOR (NORMAL) page 2

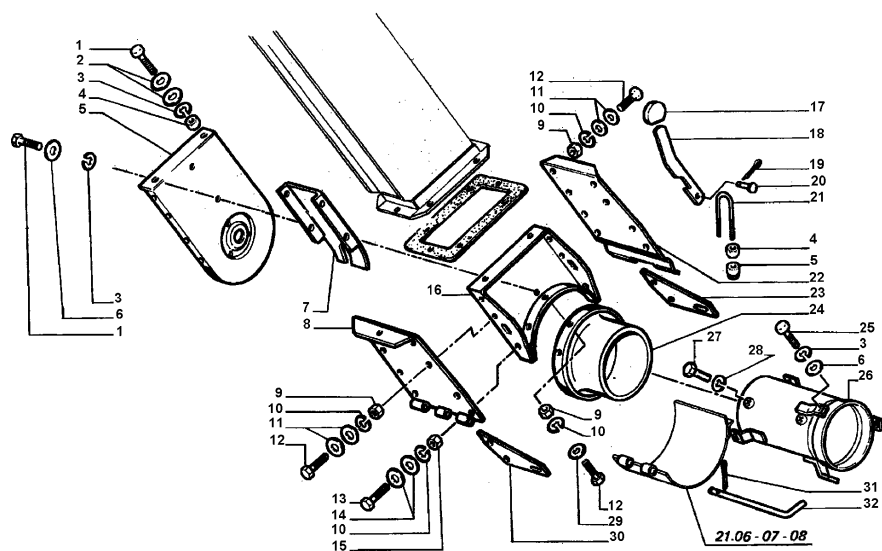
MTB "AL" AL quattro (552000130_552009999)



22.07_2

32 321848950

1 DOWEL

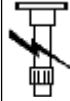


CLEANING

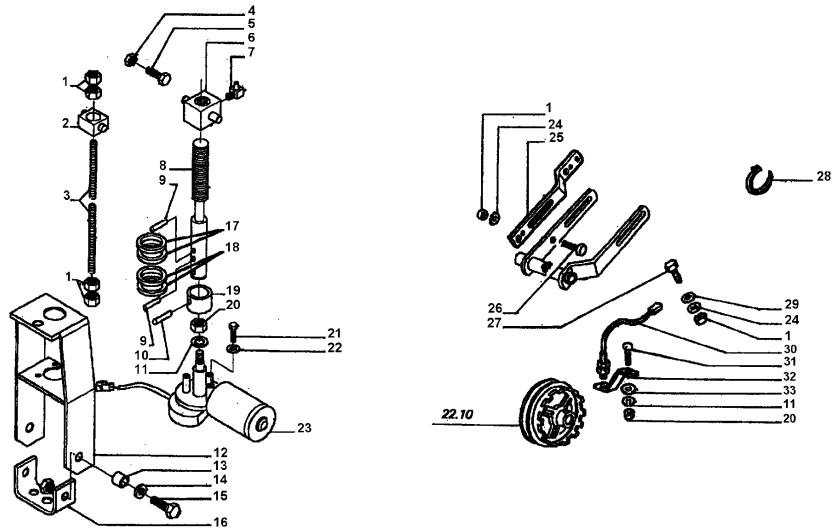
22.1
8

FAN SPEED VARIATOR ELECTRIC DIGITAL CONTROL

MTB "AL" AL quattro (552000130_552009999)



22.18



- 30 322861400
- 31 16043424
- 32 322768350
- 33 355510820

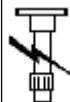
- 1 SENSOR
- 1 SCREW
- 1 SUPPORT
- 1 WASHER

DRIV'S PLATFORM

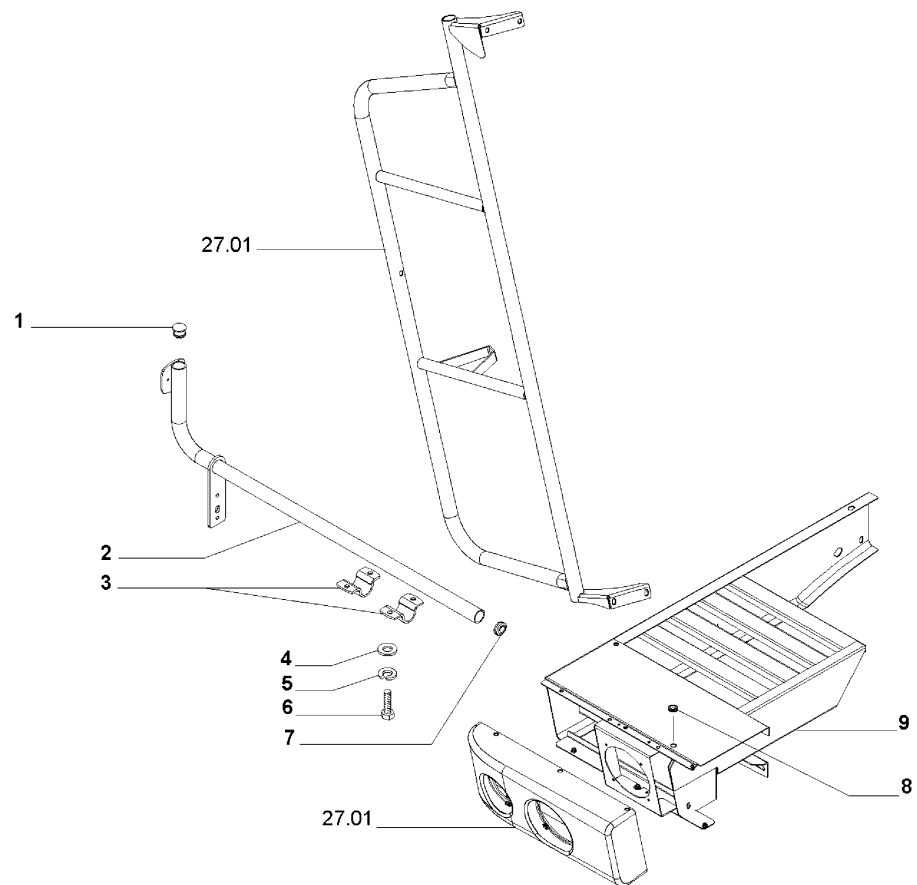
27.0
4_2

PLATFORM FOOTBOARDS (right)

MTB "AL" AL quattro (552000130_552009999)



27.04_2



- 1 321454750
- 2 323199650
- 3 300114165
- 4 355510820
- 5 12034571
- 6 16043421
- 7 10397780
- 8 340481703
- 9 323200250

- 1 PLUG
- 1 SUPPORT
- 2 RETAINING
- 4 WASHER
- 4 LOCK WASHE
- 4 SCREW
- 1 RING
- 1 GROMMET
- 1 LANDING

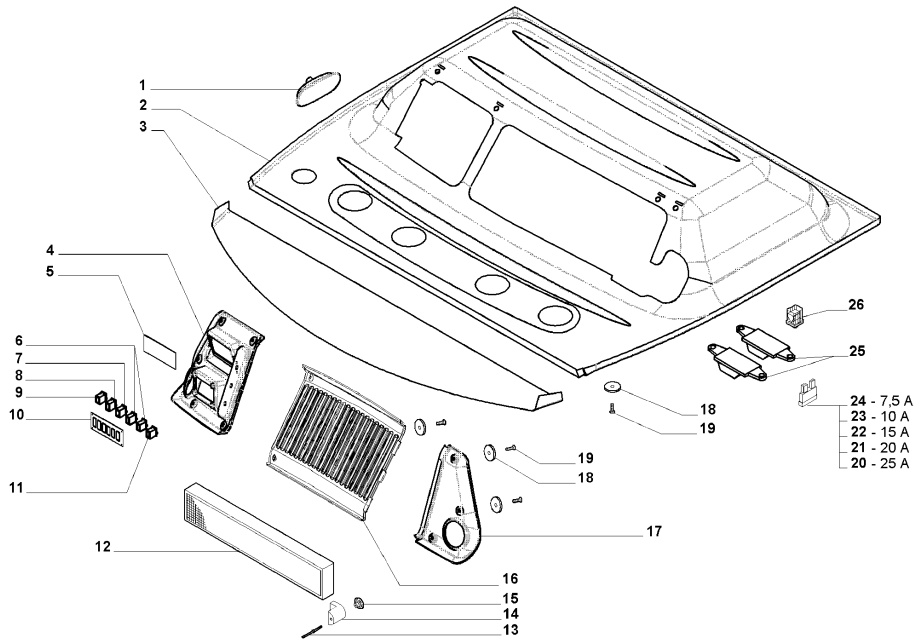
DRIV'S PLATFORM

27.1
3.5

CAB - UNDER ROOF

MTB "AL" AL quattro (552000130_552009999)

27.13.5



- | | | | |
|----|-----------|---|------------|
| 1 | 322980500 | 1 | LAMP, CEIL |
| 2 | 323202550 | 1 | ROOF |
| 3 | 323202650 | 1 | UNDERNEATH |
| 4 | 323202350 | 1 | DASH BOARD |
| 5 | 323227550 | 1 | COVER |
| 6 | 322822050 | 1 | SWITCH |
| 7 | 322821750 | 1 | SWITCH |
| 8 | 322821650 | 1 | SWITCH |
| 9 | 322821950 | 1 | SWITCH |
| 10 | 323203550 | 1 | COACHWORK |
| 11 | 322821850 | 1 | SWITCH |
| 12 | 322935250 | 1 | FILTER |
| 13 | 322935450 | 1 | STUD |
| 14 | 322820251 | 1 | RETAINER |
| 15 | 322820151 | 1 | KNOB |
| 16 | 323202250 | 1 | GRILLE |
| 17 | 323202450 | 1 | PANEL |
| 18 | 322816108 | 2 | BOSS |
| 19 | 14441327 | 2 | REPLACE |
| 20 | 11055290 | 1 | FUSE |
| 21 | 11055190 | 1 | FUSE |
| 22 | 11055090 | 1 | FUSE |
| 23 | 11054990 | 1 | FUSE |
| 24 | 11054890 | 1 | FUSE |
| 25 | 322053450 | 1 | FUSE HOLDE |
| 26 | 323090750 | 1 | SWITCH |

● 000144413310 (2)

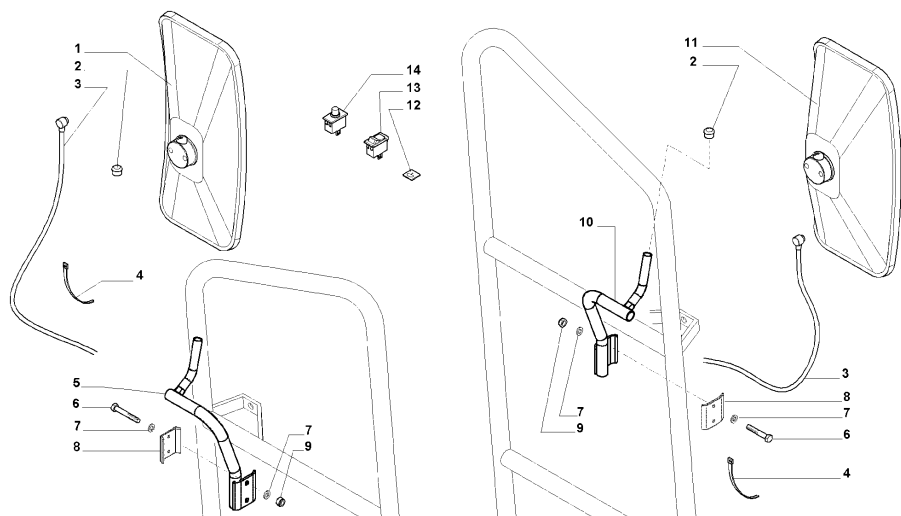
DRIV'S PLATFORM

27.1
6

CAB - REAR VIEW MIRRORS

MTB "AL" AL quattro (552000130_552009999)

27.16



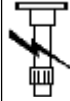
- | | | | |
|----|------------------|---|------------|
| 1 | 0032325450
00 | 1 | MIRROR |
| 2 | 321721250 | 2 | PLUG |
| 3 | 322700050 | 2 | WIRE/CABLE |
| 4 | 340481806 | 2 | CLAMP |
| 5 | 323188150 | 1 | SUPPORT |
| 6 | 16044321 | 2 | SCREW |
| 7 | 355500920 | 4 | WASHER |
| 8 | 323003750 | 2 | BRIDLE |
| 9 | 16104111 | 2 | NUT |
| 10 | 323188050 | 1 | SUPPORT |
| 11 | 0032325450
00 | 1 | MIRROR |
| 12 | 322690650 | 1 | PLATE |
| 13 | 321848200 | 1 | BUTTON |
| 14 | 9501006 | 1 | SWITCH |

DRUM

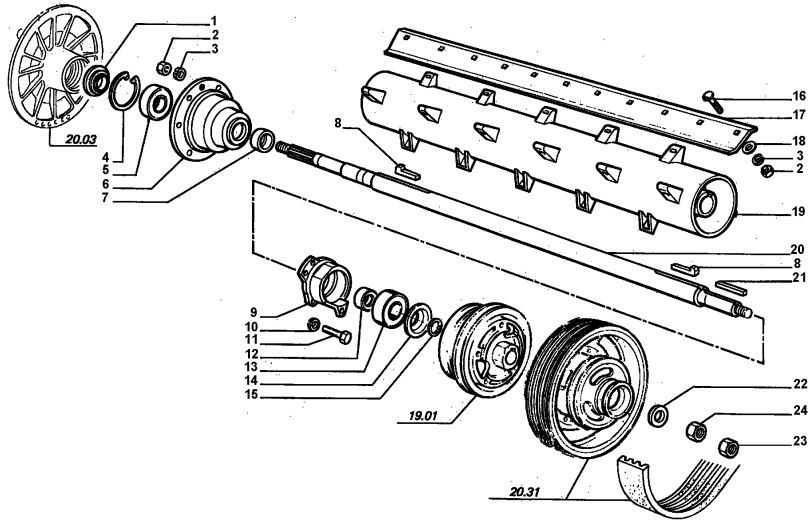
20.1
0_1

BEATER BEHIND DRUM

MTB "AL" AL quattro (552000130_552009999)



20.10_1



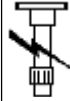
- | | | | |
|----|-----------|---|------------|
| 1 | 320971650 | 1 | WASHER |
| 2 | 11701721 | 1 | NUT |
| 3 | 12034671 | 1 | LOCK WASHE |
| 4 | 11075976 | 1 | SPRING LOC |
| 5 | 28040170 | 1 | BEARING |
| 6 | 320971050 | 1 | SUPPORT |
| 7 | 320971550 | 1 | WASHER |
| 8 | 350380760 | 1 | KEY |
| 9 | 320971150 | 1 | SUPPORT |
| 10 | 12034771 | 1 | LOCK WASHE |
| 11 | 15540521 | 1 | SCREW |
| 12 | 320971550 | 1 | WASHER |
| 13 | 28040170 | 1 | BEARING |
| 14 | 300132547 | 1 | WASHER |
| 16 | 350342520 | 1 | SCREW |
| 17 | 321807250 | 1 | SHOVEL |
| 18 | 355501120 | 1 | WASHER |
| 19 | 321890050 | 1 | BEATER |
| 20 | 320970550 | 1 | SHAFT |
| 21 | 353848110 | 1 | KEY |
| 22 | 300018047 | 1 | WASHER |
| 23 | 12166710 | 1 | WASHER,LOC |
| 24 | 15500511 | 1 | NUT |

DRUM

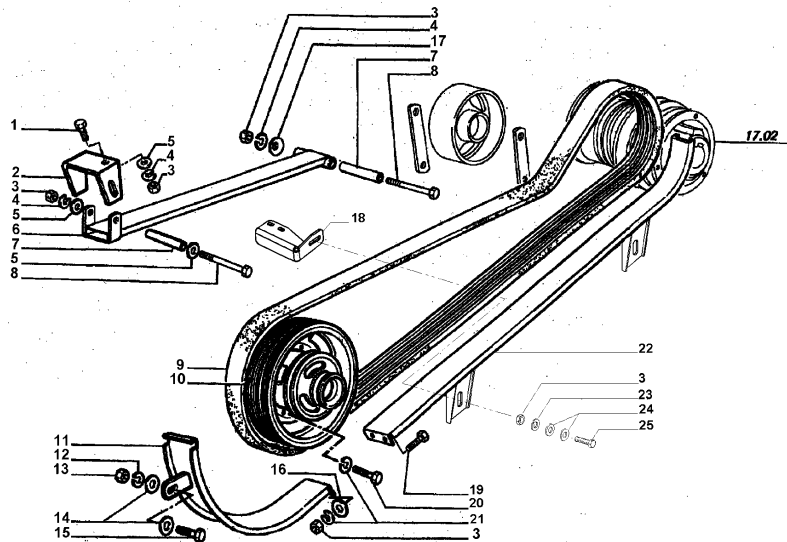
20.3
1_1

THRESING MECHANISM DRIVE

MTB "AL" AL quattro (552000130_552009999)



20.31_1



- | | | | | |
|----|------------------|--------------------|---|------------|
| 1 | 16043424 | | 1 | SCREW |
| 2 | 321951650 | | 1 | SUPPORT |
| 3 | 16100811 | | 1 | NUT |
| 4 | 12034571 | | 1 | LOCK WASHE |
| 5 | 355510820 | | 1 | WASHER |
| 6 | 0032338165
00 | | 1 | SUPPORT |
| 7 | 0034415815
50 | | 1 | SPACER |
| 8 | 0001604602 | ● 000160460310 (1) | 1 | SCREW |
| 9 | 344311318 | | 1 | BELT |
| 10 | 321904450 | | 1 | PULLEY |
| 11 | 321853750 | | 1 | SKATE |
| 12 | 12034671 | | 1 | LOCK WASHE |
| 13 | 11701721 | | 1 | NUT |
| 14 | 355511020 | | 1 | WASHER |
| 15 | 11106221 | | 1 | SCREW |
| 16 | 355510820 | | 1 | WASHER |
| 17 | 350356007 | | 1 | SPRING |
| 18 | 323083050 | | 1 | SUPPORT |
| 19 | 16043424 | | 1 | SCREW |
| 20 | 11112821 | | 1 | SCREW |
| 21 | 12034771 | | 1 | LOCK WASHE |
| 22 | 322962250 | | 1 | SKATE |
| 23 | 12034571 | | 1 | LOCK WASHE |
| 24 | 355500915 | | 1 | WASHER |
| 25 | 16043421 | | 1 | SCREW |

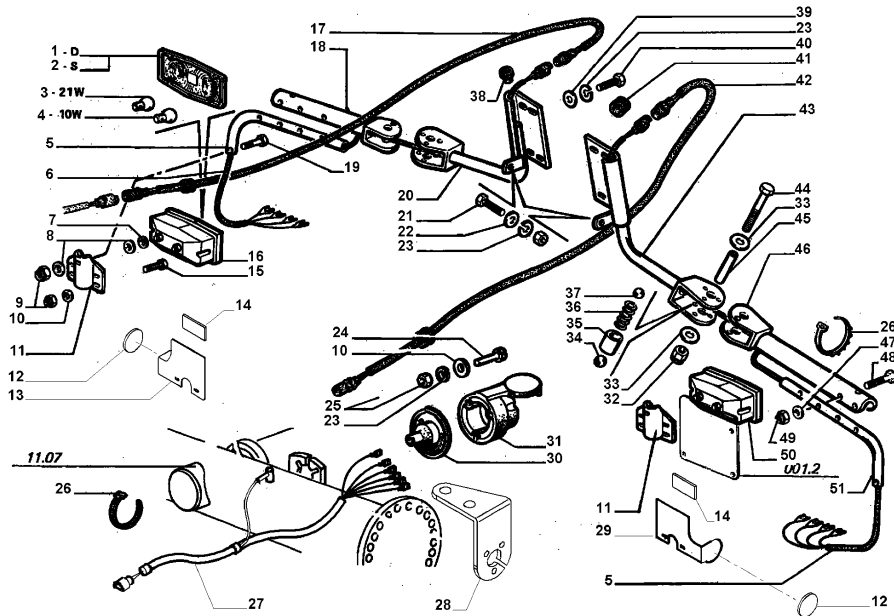
ELECTRIC SYSTEM

29.0
1_2

FRONT LIGHTING COMPONENTS page 2

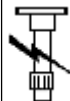
MTB "AL" AL quattro (552000130_552009999)

29.01_2



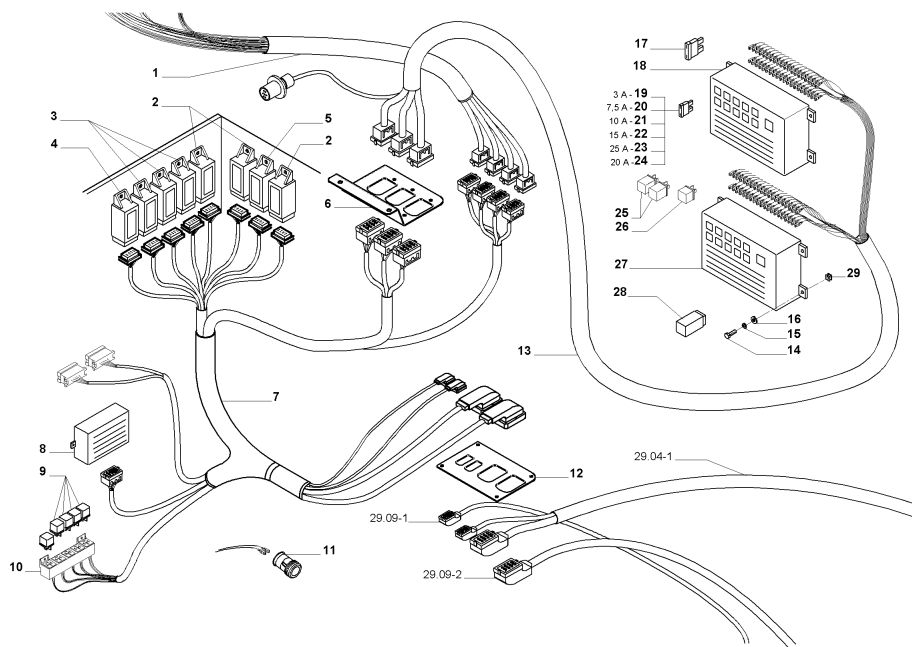
- | | | | | |
|----|-----------|--------------------|----------|------------|
| 34 | 20063520 | 1 | BALL | |
| 35 | 322065450 | 1 | BUSH | |
| 36 | 353561151 | 1 | SPRING | |
| 37 | 20063520 | 1 | BALL | |
| 38 | 321923650 | 1 | PLUG | |
| 39 | 355500920 | 1 | WASHER | |
| 40 | 16043224 | 1 | SCREW | |
| 41 | 10396580 | 1 | RING | |
| 42 | 321908800 | ● 003221429000 (1) | 1 | WIRE/CABLE |
| 43 | 322882150 | 1 | ARM | |
| 44 | 11107811 | 1 | SCREW | |
| 45 | 322065550 | 1 | BUSH | |
| 46 | 322396950 | 1 | ARM | |
| 47 | 355500915 | 1 | WASHER | |
| 48 | 16044224 | 1 | SCREW | |
| 49 | 16104111 | 1 | NUT | |
| 50 | 321951100 | 1 | HEADLAMP | |
| 51 | 322371450 | 1 | ARM | |

29.0
3_4



29.03_4

MTB "AL" AL quattro (552000130_552009999)



- | | | | |
|----|------------------|---|------------|
| 21 | 0001105499
00 | 1 | FUSE |
| 22 | 0001105509
00 | 1 | FUSE |
| 23 | 0001105529
00 | 1 | FUSE |
| 24 | 0001105519
00 | 1 | FUSE |
| 25 | 0032190905
00 | 1 | WARNING DE |
| 26 | 0032190845
00 | 1 | SWITCH, RE |
| 27 | 0032308060
00 | 1 | BOX |
| 28 | 0000515149
10 | 1 | FLASHER,12 |
| 29 | 0032131895
00 | 1 | NUT |

ELECTRIC SYSTEM

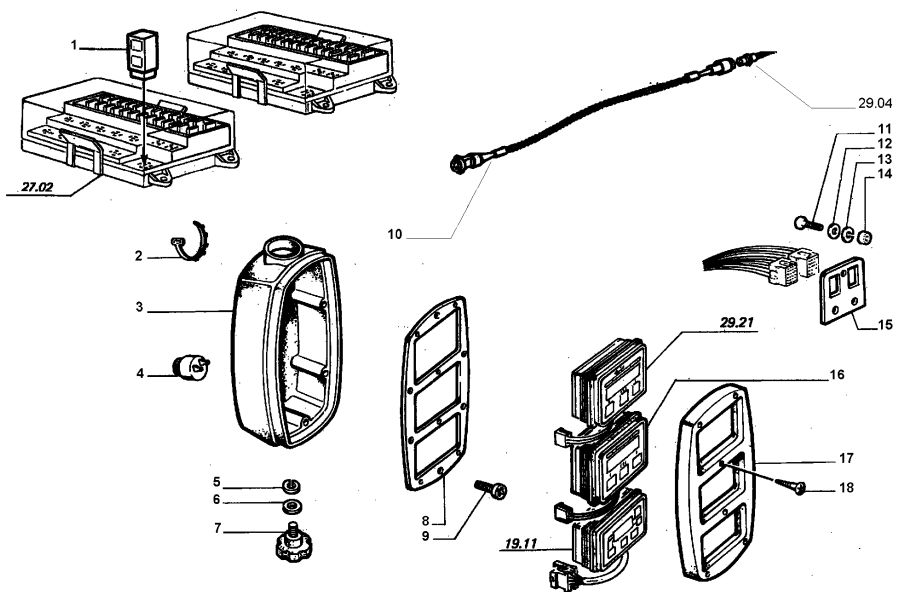
29.1
1_1

DIGITAL INSTRUMENTATION page1

MTB "AL" AL quattro (552000130_552009999)



29.11_1



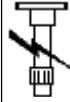
- | | | | |
|----|-----------|---|------------|
| 1 | 322361200 | 1 | TIMER |
| 2 | 340481810 | 1 | CLAMP |
| 3 | 322053750 | 1 | BODY |
| 4 | 322355400 | 1 | BUZZER |
| 5 | 12034571 | 1 | LOCK WASHE |
| 6 | 355510820 | 1 | WASHER |
| 7 | 322079650 | 1 | HANDWHEEL |
| 8 | 322054950 | 1 | FLANGE |
| 9 | 13276114 | 1 | SCREW |
| 10 | 322366700 | 1 | WIRE/CABLE |
| 11 | 10902124 | 1 | SCREW |
| 12 | 355500715 | 1 | WASHER |
| 13 | 12035670 | 1 | LOCK WASHE |
| 14 | 15896221 | 1 | NUT |
| 15 | 322076050 | 1 | PLATE |
| 16 | 322854500 | 1 | COMPUTER |
| 17 | 322055050 | 1 | FRONT |
| 18 | 15910107 | 1 | SCREW |
- 000120356710 (1)

Elevator

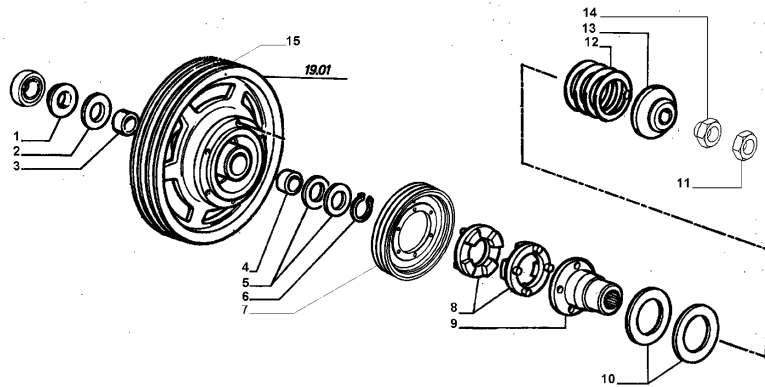
19.0
4_02

FRONT ELEVATOR

MTB "AL" AL quattro (552000130_552009999)



19.04_02



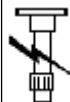
- | | | | | |
|----|-----------|--------------------|---|-------------|
| 1 | 322223150 | | 1 | WASHER |
| 2 | 322223250 | | 1 | WASHER |
| 3 | 322222950 | | 1 | BEARING |
| 4 | 321933750 | | 1 | BEARING |
| 5 | 355544610 | | 1 | WASHER |
| 6 | 11068876 | | 1 | SPRING LOC |
| 7 | 323215350 | | 1 | PULLEY |
| 8 | 322701550 | | 1 | SLEEVE |
| 9 | 321886750 | ● 003218867503 (1) | 1 | HUB |
| 10 | 321915150 | ● 003219151505 (1) | 1 | WASHER |
| 11 | 10726711 | | 1 | NUT |
| 12 | 353561115 | | 1 | SPRING |
| 13 | 322652250 | | 1 | PLATE, THRU |
| 14 | 323180050 | | 1 | NUT |
| 15 | 321950550 | | 1 | PULLEY |

Elevator

19.0
4_11

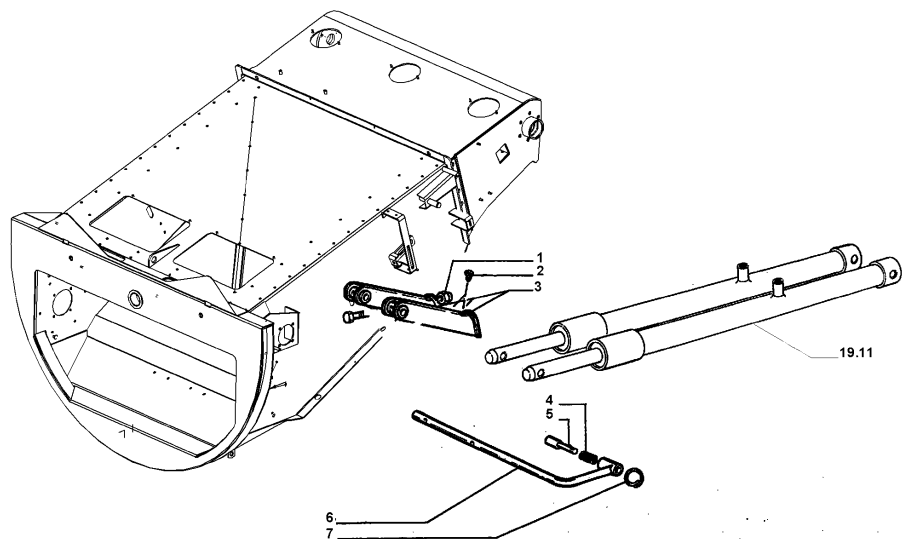
FRONT ELEVATOR

MTB "AL" AL quattro (552000130_552009999)



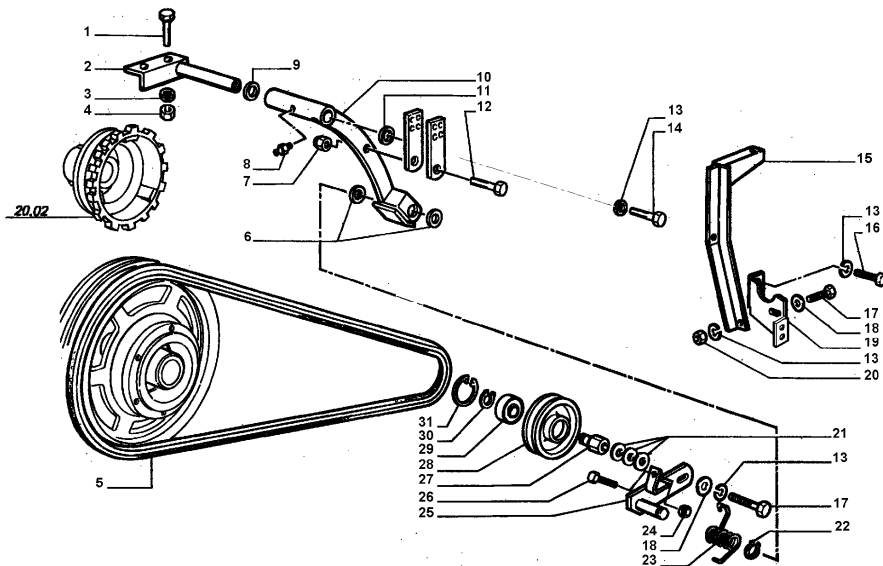
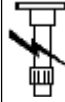
19.04_11

- | | | | |
|---|-----------|---|------------|
| 1 | 16104111 | 1 | NUT |
| 2 | 321289750 | 1 | GROMMET |
| 3 | 322860350 | 1 | RETAINER |
| 4 | 350356444 | 1 | SPRING |
| 5 | 301592030 | 1 | RUNG |
| 6 | 322860450 | 1 | LEVER LEAD |
| 7 | 301592031 | 1 | RING |



MTB "AL" AL quattro (552000130_552009999)

19.14_2



1	11106224	1	SCREW
2	322041350	1	PIN
3	12034671	1	LOCK WASHE
4	11701721	1	NUT
5	340433984	1	BELT
6	355535410	1	WASHER
7	12577511	1	NUT
8	350357852	1	NIPPLE, LU
9	355536720	1	WASHER
10	322041450	1	ARM
11	355511210	1	WASHER
12	11112824	1	SCREW
13	12034771	3	LOCK WASHE
14	11112221	1	SCREW
15	321864250	1	STRUT
16	16055221	1	SCREW
17	11112621	1	SCREW
18	355501330	2	WASHER
19	322860250	1	SUPPORT
20	11702921	1	NUT
21	355511220	1	WASHER
22	11067076	1	SPRING LOC
23	350356828	1	SPRING
24	16100811	1	NUT
25	322041150	1	SUPPORT
26	16043821	1	SCREW
27	322041250	1	PIN
28	300033832	1	TENSIONER,
29	322638450	1	BEARING
30	11067376	1	SPRING LOC
31	11060576	1	SPRING LOC

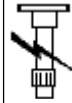
● 003000338323 (1)

ENGINE INSTALLATION

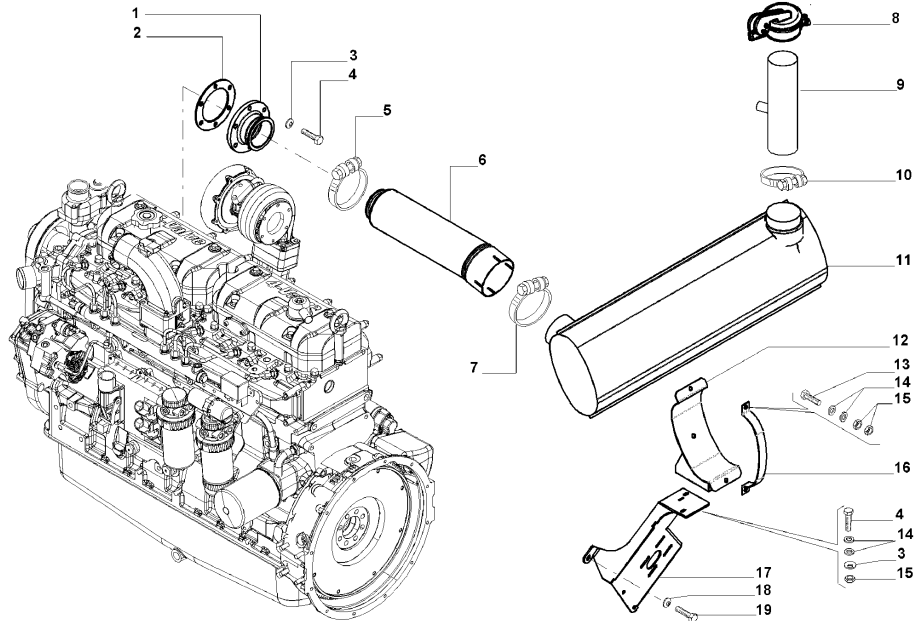
10.0
4_1

EXHAUST SILENCER

MTB "AL" AL quattro (552000130_552009999)



10.04_1



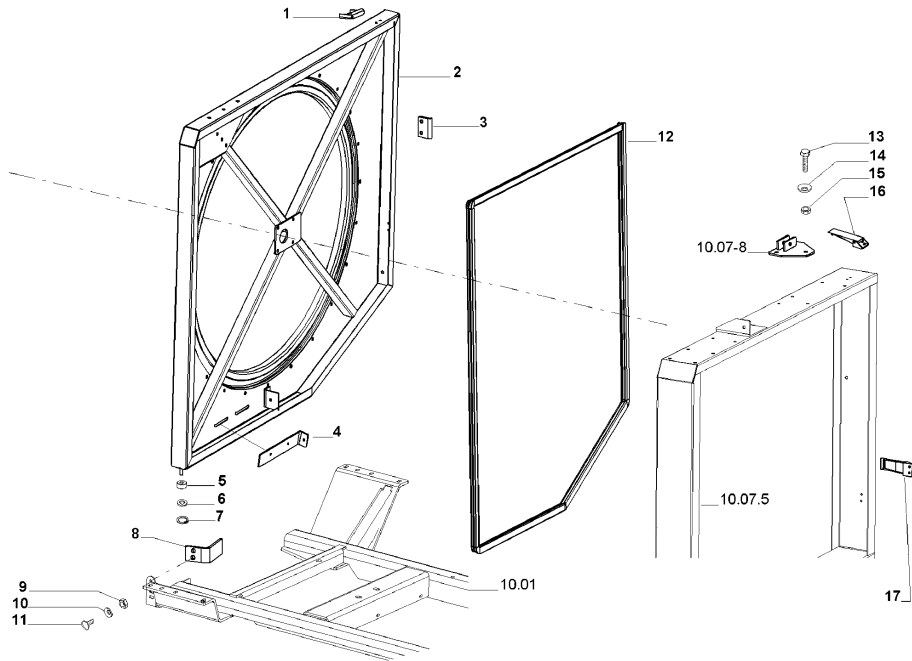
- | | | | |
|----|-----------|---|---------|
| 1 | 323111550 | 1 | FLANGE |
| 2 | 323128050 | 1 | GASKET |
| 3 | 322358 | 2 | WASHER |
| 4 | 16043621 | 2 | SCREW |
| 5 | 323051650 | 1 | BRIDLE |
| 6 | 323111850 | 1 | PIPE |
| 7 | 322559800 | 1 | BRIDLE |
| 8 | 321852200 | 1 | COVER |
| 9 | 323009750 | 1 | TUBE |
| 10 | 321816400 | 1 | BRIDLE |
| 11 | 322229550 | 1 | MUFFLER |
| 12 | 322871350 | 1 | BRIDLE |
| 13 | 16043924 | 1 | SCREW |
| 14 | 355500920 | 1 | WASHER |
| 15 | 16100811 | 1 | NUT |
| 16 | 321815750 | 1 | BRIDLE |
| 17 | 323263250 | 1 | SUPPORT |
| 18 | 140046 | 1 | WASHER |
| 19 | 11112421 | 1 | SCREW |

ENGINE INSTALLATION

10.0
7_07

RADIATOR FILTER page 7

MTB "AL" AL quattro (552000130_552009999)



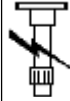
- | | | | |
|----|-----------|---|------------|
| 1 | 300132987 | 1 | PLATE |
| 2 | 322938550 | 1 | DOOR |
| 3 | 300132987 | 1 | PLATE |
| 4 | 322882650 | 1 | BASE PLATE |
| 5 | 322882550 | 1 | GUIDE ROLL |
| 6 | 355501125 | 1 | WASHER |
| 7 | 11087976 | 1 | SPRING LOC |
| 8 | 322910550 | 1 | CONTAINER |
| 9 | 16100811 | 1 | NUT |
| 10 | 322358 | 1 | WASHER |
| 11 | 350342511 | 1 | SCREW |
| 12 | 322827250 | 1 | GASKET |
| 13 | 16043221 | 1 | SCREW |
| 14 | 322358 | 1 | WASHER |
| 15 | 16100811 | 1 | NUT |
| 16 | 300132764 | 1 | BRIDLE |
| 17 | 300132764 | 1 | BRIDLE |

ENGINE INSTALLATION

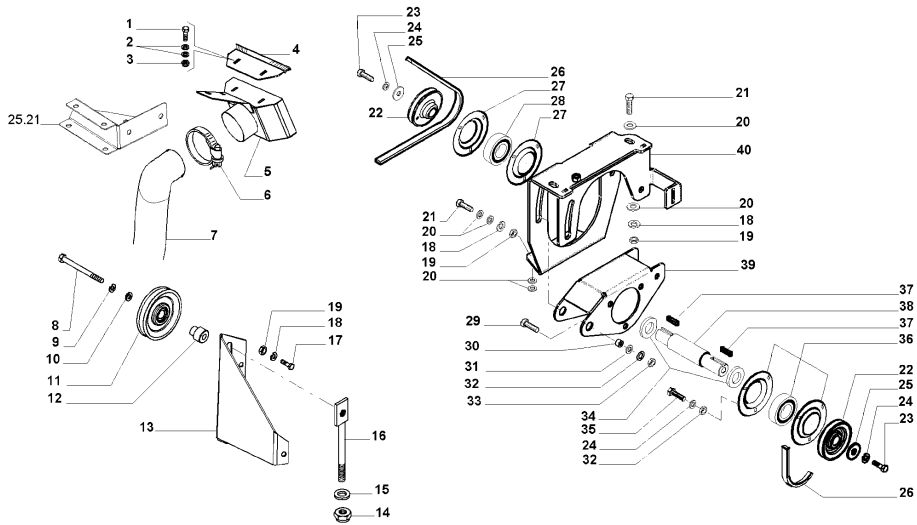
10.1
6_1

RADIATOR FILTER INTAKE

MTB "AL" AL quattro (552000130_552009999)



10.16_1



- | | | | | |
|----|-----------|----------------------------------------|---|---------|
| 35 | 350342520 | | 1 | SCREW |
| 36 | 340411009 | ● 003404114050 (1)
003404112050 (2) | 1 | SUPPORT |
| 37 | 350384228 | | 2 | KEY |
| 38 | 323111050 | | 1 | MAST |
| 39 | 323110950 | | 1 | SUPPORT |
| 40 | 323298450 | | 1 | SUPPORT |

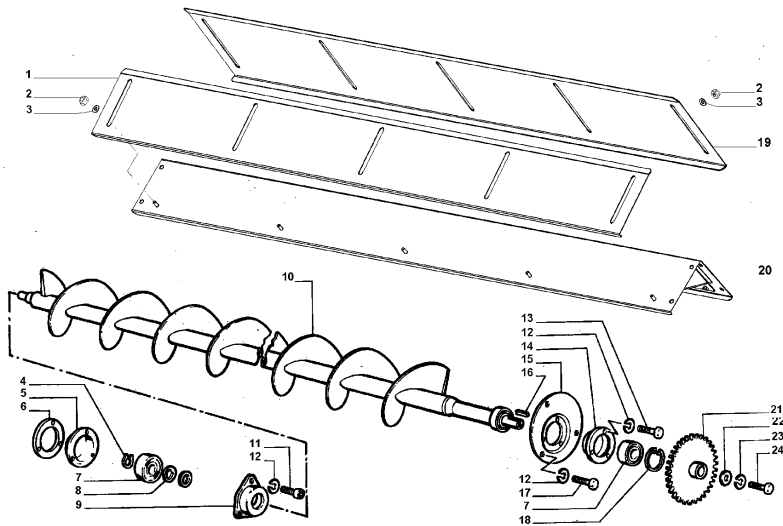
GRAIN TANK AND FAIRINGS

25.0
6_1

GRAIN TANK UNLOADING AUGER

MTB "AL" AL quattro (552000130_552009999)

25.06_1



- | | | | |
|----|------------------|---|------------|
| 1 | 0032304615
00 | 1 | PLATE, ADJ |
| 2 | 0001610411
10 | 1 | NUT, HEX. |
| 3 | 0035552083
00 | 1 | WASHER |
| 4 | 800-1130 | 1 | SPRING LOC |
| 5 | 300112176 | 1 | COVER |
| 6 | 321944750 | 1 | SHIM |
| 7 | 28996530 | 1 | BEARING |
| 8 | 0035553871
00 | 1 | WASHER |
| 9 | 300011962 | 1 | SUPPORT |
| 10 | 0032060335
00 | 1 | AUGER |
| 11 | 0001442022
10 | 1 | SCREW |
| 12 | 12034671 | 1 | LOCK WASHE |
| 13 | 850935 | 1 | SCREW |
| 14 | 0032185345
00 | 1 | SUPPORT |
| 15 | 321853550 | 1 | DISC |
| 16 | 350384428 | 1 | KEY |
| 17 | 850934 | 1 | SCREW |
| 18 | 11061076 | 1 | SPRING LOC |
| 19 | 0032304615
00 | 1 | PLATE, ADJ |
| 20 | 0032304595
00 | 1 | TROUGH |
| 21 | 300128263 | 1 | GEAR |
| 22 | 355511240 | 1 | WASHER |
| 23 | 850903 | 1 | LOCK WASHE |
| 24 | 850943 | 1 | SCREW |

CLICK HERE TO **DOWNLOAD** THE COMPLETE MANUAL

- Thank you very much for reading the preview of the manual.
- You can download the complete manual from: www.heydownloads.com by clicking the link below

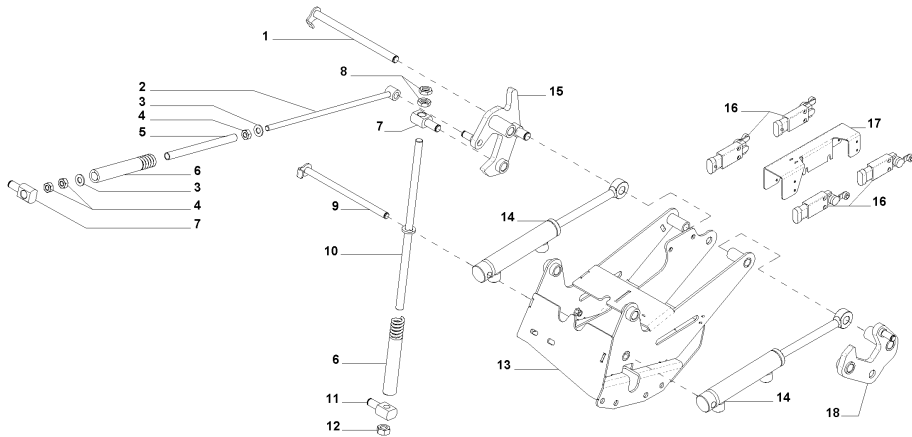


- Please note: If there is no response to CLICKING the link, please download this PDF first and then click on it.

CLICK HERE TO **DOWNLOAD** THE COMPLETE MANUAL

MTB "AL" AL quattro (552000130_552009999)

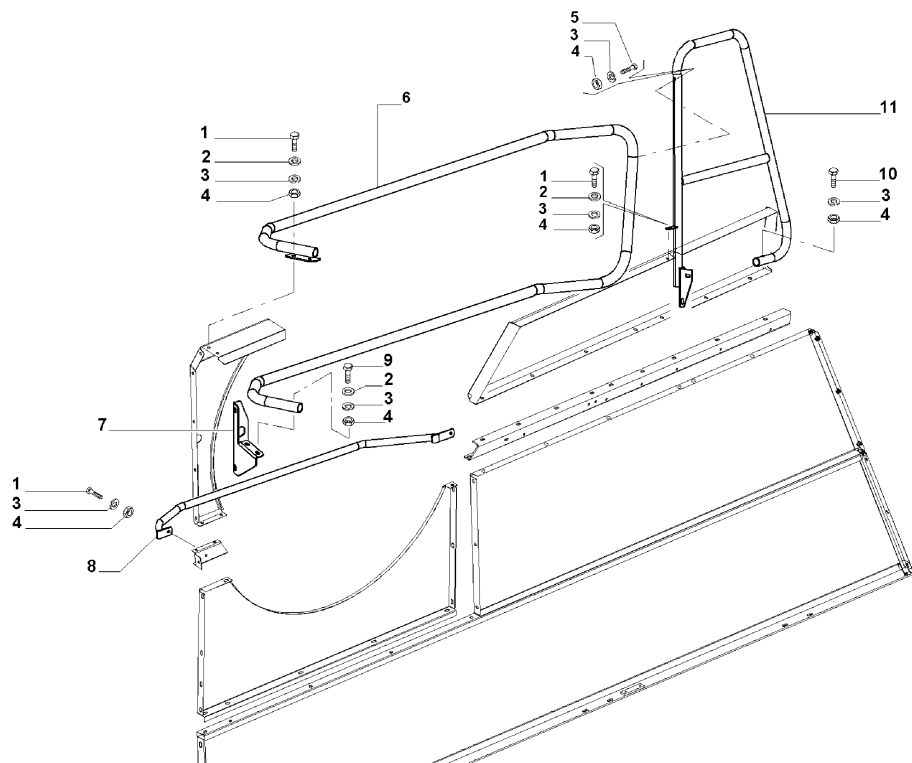
25.08_1



- | | | | |
|----|------------------|---|------------|
| 1 | 323380850 | 1 | PIN |
| 2 | 323380950 | 1 | TIE ROD |
| 3 | 895-11010 | 2 | WASHER |
| 4 | 825-1410 | 2 | NUT |
| 5 | 0032338105
00 | 1 | SPACER |
| 6 | 353561159 | 2 | SPRING |
| 7 | 322835850 | 2 | BALL JOINT |
| 8 | 850859 | 1 | NUT |
| 9 | 323380750 | 1 | PIN |
| 10 | 323006950 | 1 | TIE ROD |
| 11 | 0032281145
00 | 1 | BALL JOINT |
| 12 | 851022 | 1 | NUT |
| 13 | 0032337815
00 | 1 | SUPPORT |
| 14 | 323383500 | 2 | CYLINDER |
| 15 | 323378550 | 1 | LEVER |
| 16 | 0043017945
00 | 4 | SWITCH |
| 17 | 323378350 | 1 | STIRRUP |
| 18 | 323378450 | 1 | LEVER |

MTB "AL" AL quattro (552000130_552009999)

25.21_4

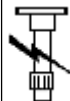


- | | | | |
|----|-----------|---|------------|
| 1 | 16043421 | 3 | SCREW |
| 2 | 355500920 | 3 | WASHER |
| 3 | 12034571 | 3 | LOCK WASHE |
| 4 | 16100811 | 3 | NUT |
| 5 | 16044521 | 1 | SCREW |
| 6 | 323298750 | 1 | SHIELD |
| 7 | 322945850 | 1 | STIRRUP |
| 8 | 323298850 | 1 | SHIELD |
| 9 | 16044021 | 1 | SCREW |
| 10 | 16044321 | 1 | SCREW |
| 11 | 323319250 | 1 | SHIELD |

HYDRAULIC SYSTEM

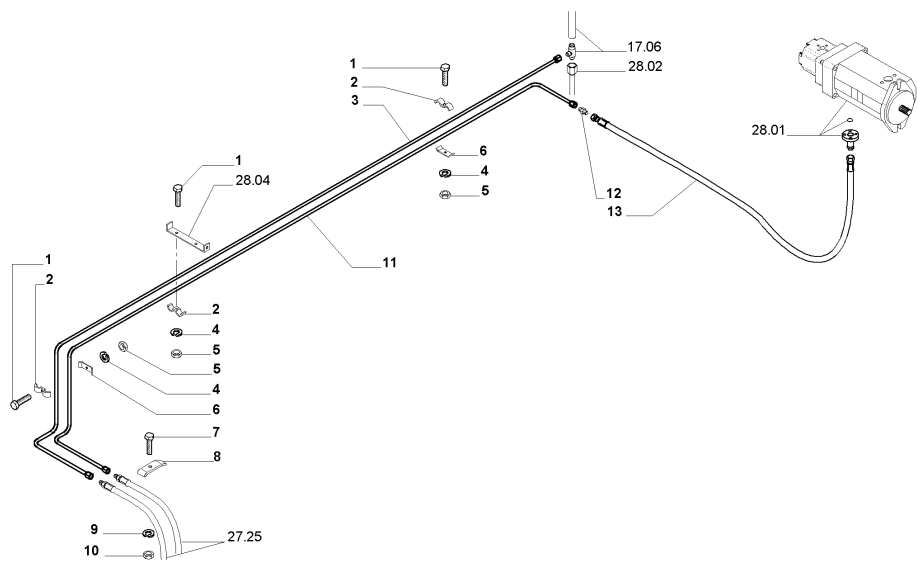
DRIVE HYDRAULIC CIRCUIT page 1

28.0
5_1



28.05_1

MTB "AL" AL quattro (552000130_552009999)



- | | | | | |
|----|------------------|--------------------|---|------------|
| 1 | 10902624 | | 3 | SCREW |
| 2 | 300136688 | | 3 | BRIDLE |
| 3 | 323217350 | | 3 | PIPE |
| 4 | 12035670 | ● 000120356710 (3) | 3 | LOCK WASHE |
| 5 | 15896221 | | 3 | NUT |
| 6 | 301378430 | | 2 | BRIDLE |
| 7 | 16043824 | | 1 | SCREW |
| 8 | 300015722 | | 1 | BRIDLE |
| 9 | 12034571 | | 1 | LOCK WASHE |
| 10 | 16100811 | | 1 | NUT |
| 11 | 323217450 | | 1 | PIPE |
| 12 | 321420150 | | 1 | UNION |
| 13 | 0032211005
00 | | 1 | PIPE |

HYDRAULIC SYSTEM

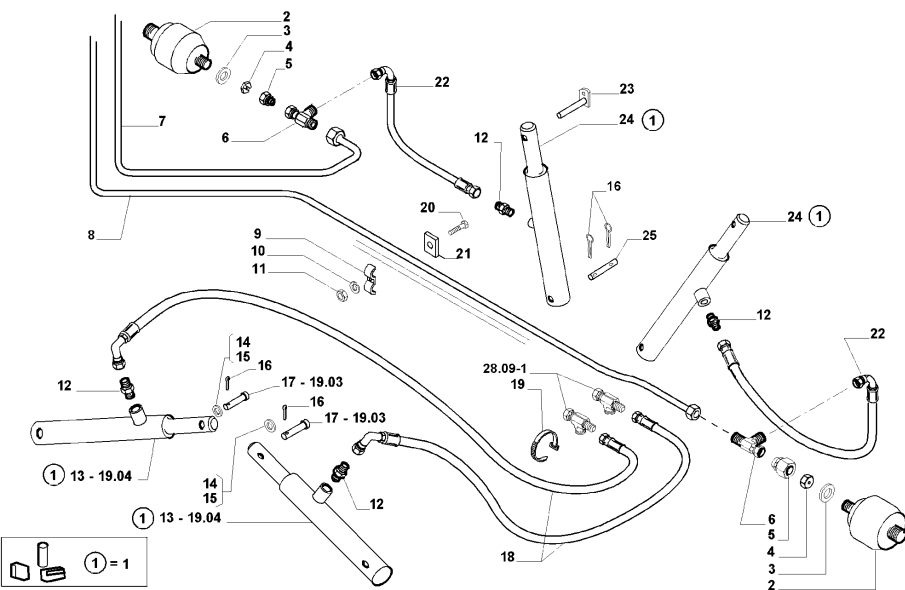
28.0
9_2

CUTTER BAR LEVELLING SYSTEM page 2

MTB "AL" AL quattro (552000130_552009999)



28.09_2



- | | | | |
|----|-----------|---|------------|
| 1 | 322873600 | 2 | KIT SEALS |
| 2 | 322745850 | 2 | HYDRAULIC |
| 3 | 322825350 | 2 | WASHER |
| 4 | 300016693 | 2 | VALVE |
| 5 | 322753250 | 2 | CONTROL BL |
| 6 | 321403650 | 2 | UNION |
| 7 | 322975250 | 2 | PIPE |
| 8 | 323025650 | 1 | PIPE |
| 9 | 300136688 | 1 | BRIDLE |
| 10 | 12035671 | 1 | LOCK WASHE |
| 11 | 15896211 | 1 | NUT |
| 12 | 321390950 | 4 | UNION |
| 13 | 322851200 | 2 | CYLINDER |
| 14 | 355533520 | 2 | WASHER |
| 15 | 355533530 | 2 | WASHER |
| 16 | 10733701 | 2 | LINCH PIN |
| 17 | 322856750 | 2 | COTTER |
| 18 | 323243350 | 2 | PIPE |
| 19 | 340481808 | 1 | CLAMP |
| 20 | 10902421 | 1 | SCREW |
| 21 | 301378460 | 1 | BRIDLE |
| 22 | 322335750 | 2 | HOSE |
| 23 | 321738050 | 1 | COTTER |
| 24 | 322851200 | 1 | CYLINDER |
| 25 | 321738150 | 1 | DOWEL |

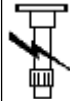
● 003404818090 (1)

reduced causeway

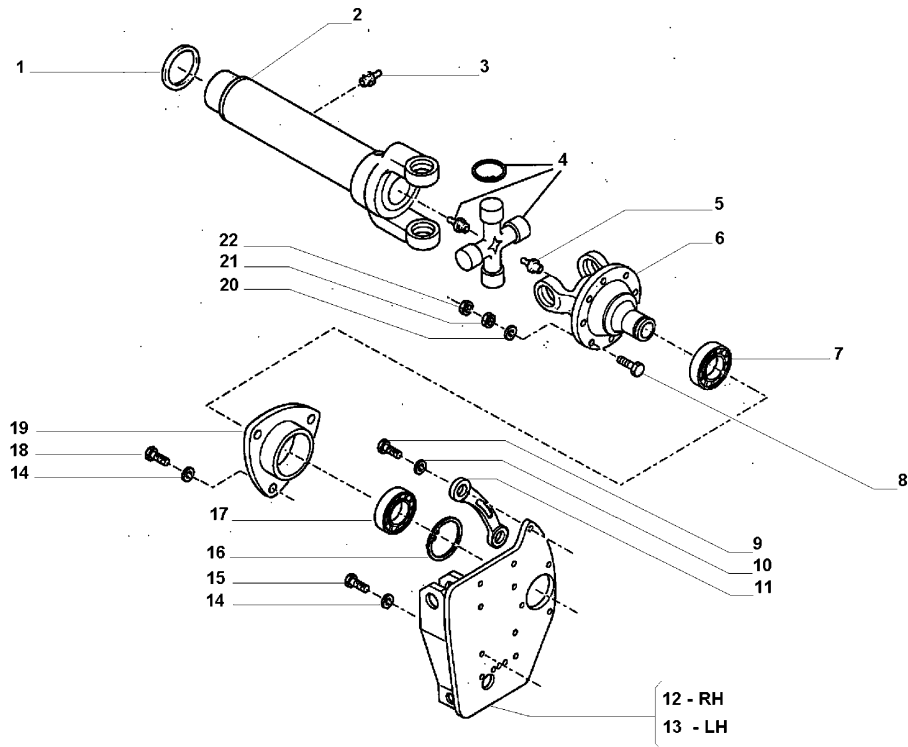
11.
04_4

FRONT AXLE (REDUCED WHEEL TRACK)

MTB "AL" AL quattro (552000130_552009999)



_11.04_4



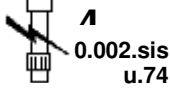
- | | | | | |
|----|-----------|--------------------|---|------------|
| 1 | 321736250 | | 1 | GASKET |
| 2 | 322357850 | | 1 | AXLE-RING |
| 3 | 350357851 | | 1 | NIPPLE, LU |
| 4 | 321735600 | | 1 | SPIDER |
| 5 | 350357804 | ● 000099625950 (1) | 1 | NIPPLE, LU |
| 6 | 321735550 | | 1 | YOKE |
| 7 | 340400390 | | 1 | BEARING |
| 8 | 15977521 | | 1 | SCREW |
| 9 | 15988521 | ● 000159885310 (1) | 1 | SCREW |
| 10 | 12035071 | | 1 | LOCK WASHE |
| 11 | 321731850 | | 1 | SUPPORT |
| 12 | 321730450 | | 1 | PLATE |
| 13 | 321731650 | | 1 | PLATE |
| 14 | 12034871 | | 2 | LOCK WASHE |
| 15 | 11119231 | | 1 | SCREW |
| 16 | 11070376 | | 1 | SPRING LOC |
| 17 | 24905180 | ● 000249053600 (1) | 1 | BEARING |
| 18 | 14426621 | | 1 | SCREW |
| 19 | 321736050 | | 1 | SUPPORT |
| 20 | 350356010 | | 1 | SPRING |
| 21 | 12164011 | ● 000121640210 (1) | 1 | NUT |
| 22 | 10791321 | | 1 | NUT |

SISU Diesel 74

0.00

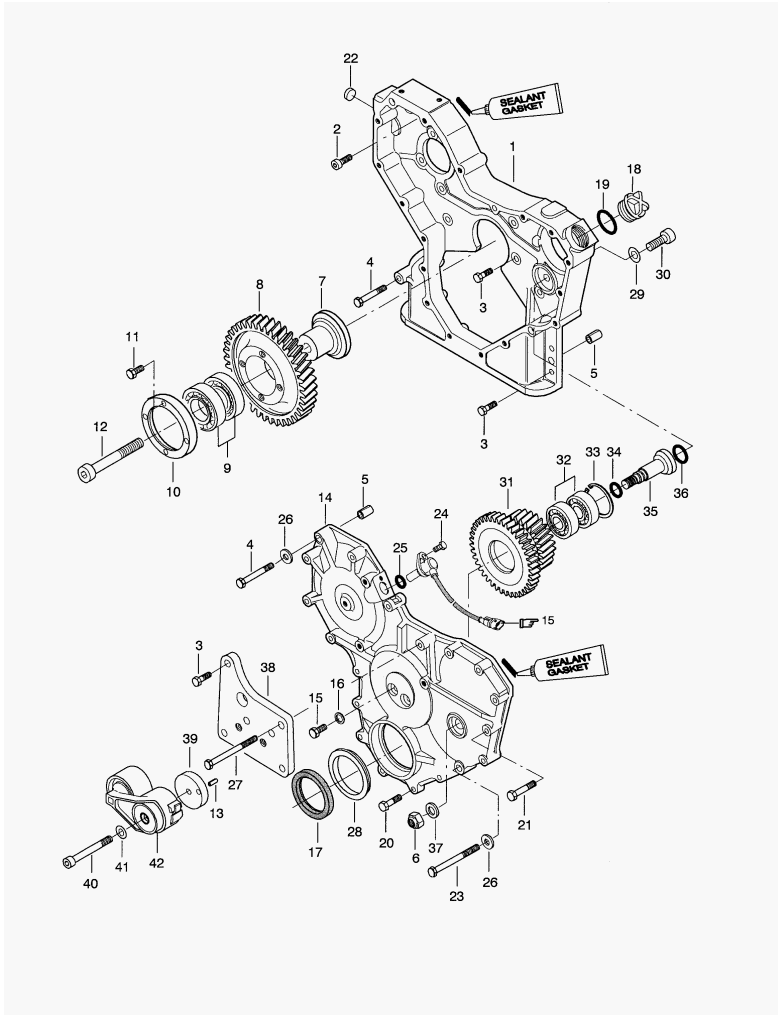
Housing

2 sisu.7



0.002.sis
u.74

MTB "AL" AL quattro (552000130_552009999)



837070001	1 GEAR
837070086	1 GEAR
1 837070062	1 GEAR
2 581804620	2 BOLT
3 528801400	14 BOLT
4 529801470	2 BOLT
5 598359850	2 PIN
6 614601924	1 O-RING
7 836855562	1 SHAFT
8 837070000	1 GEAR
9 610072109	1 BEARING
10 836855565	1 RING
11 528901400	4 BOLT
12 581705910	1 BOLT
13 598359860	2 PIN
14 837070162	1 COVER
15 528801380	2 BOLT
16 615870814	2 GASKET
17 836840883	1 GASKET
18 836017927	1 COVER
19 614603540	1 O-RING
20 528801410	6 BOLT
21 529801440	10 BOLT
22 640016016	1 PLUG
23 529801540	1 BOLT
24 528801062	1 BOLT
25 614601718	1 O-RING
26 836120989	2 WASHER
27 529801560	1 BOLT
28 836855636	1 SHIELD
29 500951200	1 WASHER
30 581705420	1 SCREW
31 837070112	1 GEAR

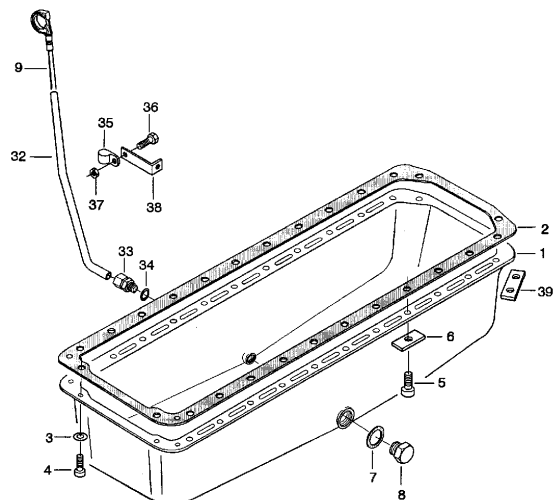
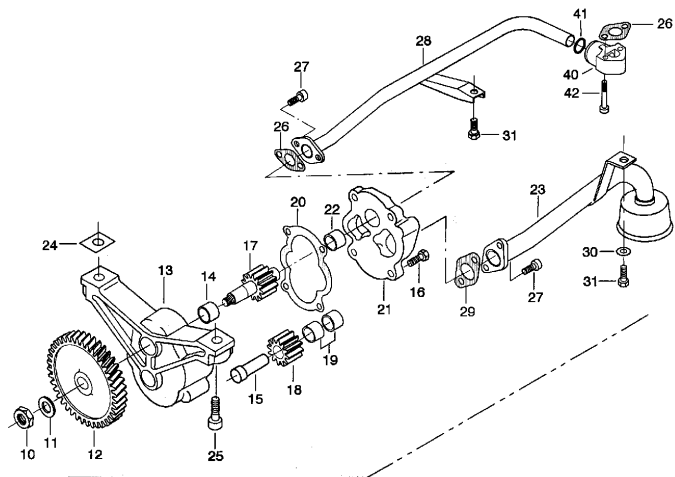
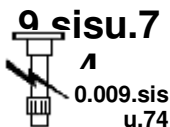
● 005298015500 (1)

SISU Diesel 74

0.00

LUBE OIL PUMP

MTB "AL" AL quattro (552000130_552009999)



- 35 602060612
- 36 528801400
- 37 504800800
- 38 836859955
- 39 836859561
- 40 836866563
- 41 614702230
- 42 581804680

- 1 CLAMP
- 2 BOLT
- 1 NUT
- 1 SUPPORT
- 2 WASHER
- 1 SOCKET
- 1 O-RING
- 2 BOLT

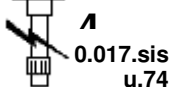
SISU Diesel 74

0.01

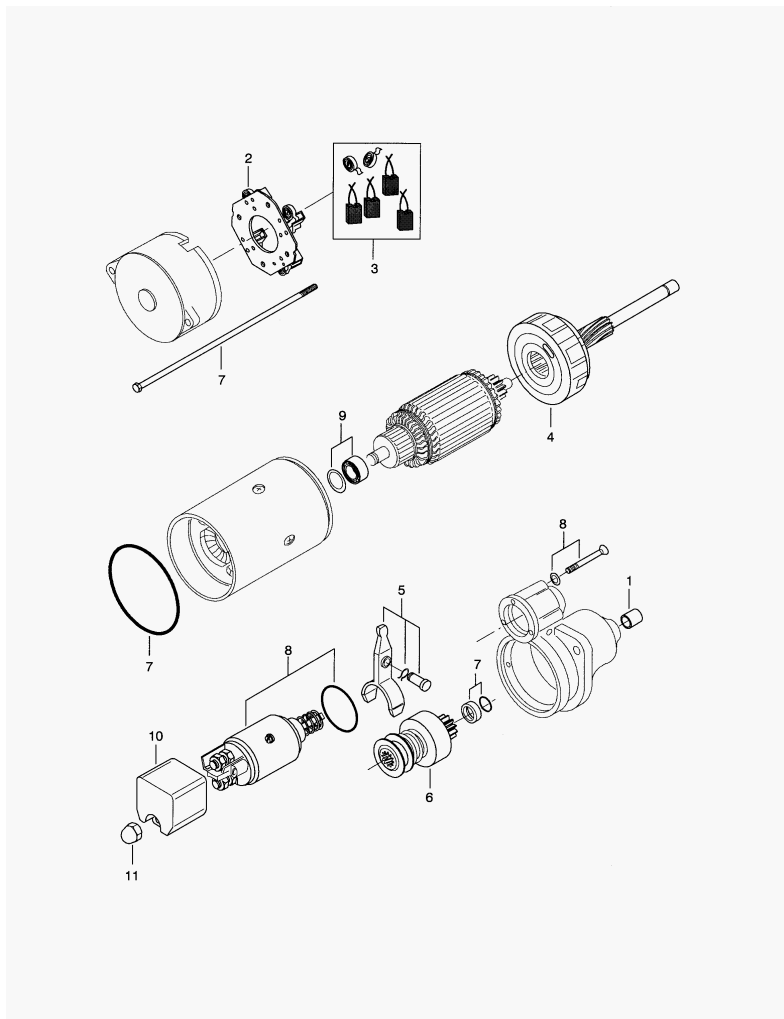
STARTER MOTOR

MTB "AL" AL quattro (552000130_552009999)

7 sisu.7



0.017.sis
u.74



- 836873290 ●
- 1 836862454
- 2 836862461
- 3 836862462
- 4 836862458
- 5 836862457
- 6 836862456
- 7 836862460
- 8 836662709
- 9 836862459
- 10 836662700
- 11 836662701

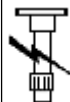
- STARTERMOT
- 1 BUSH
- 1 CONNECTOR
- 1 BRUSHES SE
- 1 GEAR
- 1 LEVER
- 1 GEAR
- 1 KIT REPAIR
- 1 SOLENOID
- 1 BEARING
- 1 SHIELD
- 1 NUT

STRAW WALKERS

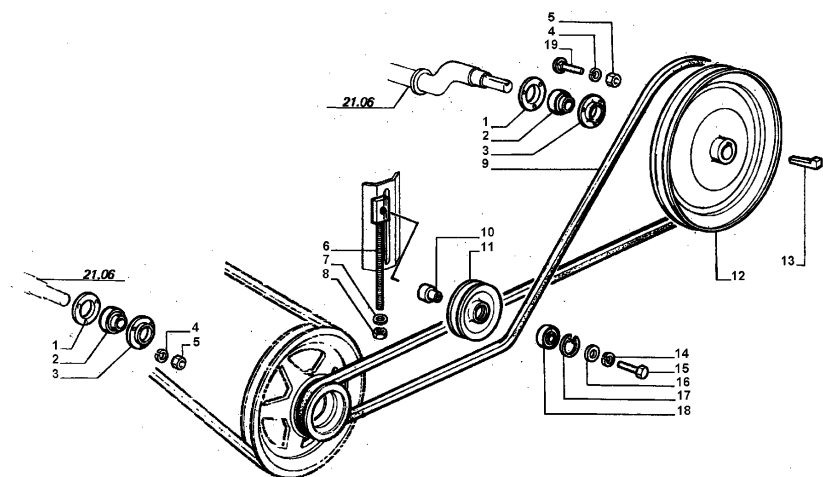
21.1
0_2

STRAW WALKER DRIVE page 2

MTB "AL" AL quattro (552000130_552009999)

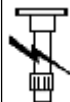


21.10_2



- | | | | | |
|----|-----------|--------------------|---|------------|
| 1 | 340411406 | | 1 | FLANGE COU |
| 2 | 340411206 | | 1 | BEARING |
| 3 | 340411406 | | 1 | FLANGE COU |
| 4 | 12034671 | | 1 | LOCK WASHE |
| 5 | 11701721 | | 1 | NUT |
| 6 | 300137498 | | 1 | TIE ROD |
| 7 | 355511020 | | 1 | WASHER |
| 8 | 12577211 | | 1 | NUT |
| 9 | 340433474 | | 1 | BELT |
| 10 | 321193650 | | 1 | BUSH |
| 11 | 300010534 | ● 003000105345 (1) | 1 | TENSIONER, |
| 12 | 322126250 | | 1 | PULLEY |
| 13 | 350380560 | | 1 | KEY |
| 14 | 12034771 | | 1 | LOCK WASHE |
| 15 | 15541124 | | 1 | SCREW |
| 16 | 355511260 | | 1 | WASHER |
| 17 | 11060576 | | 1 | SPRING LOC |
| 18 | 322638450 | | 1 | BEARING |

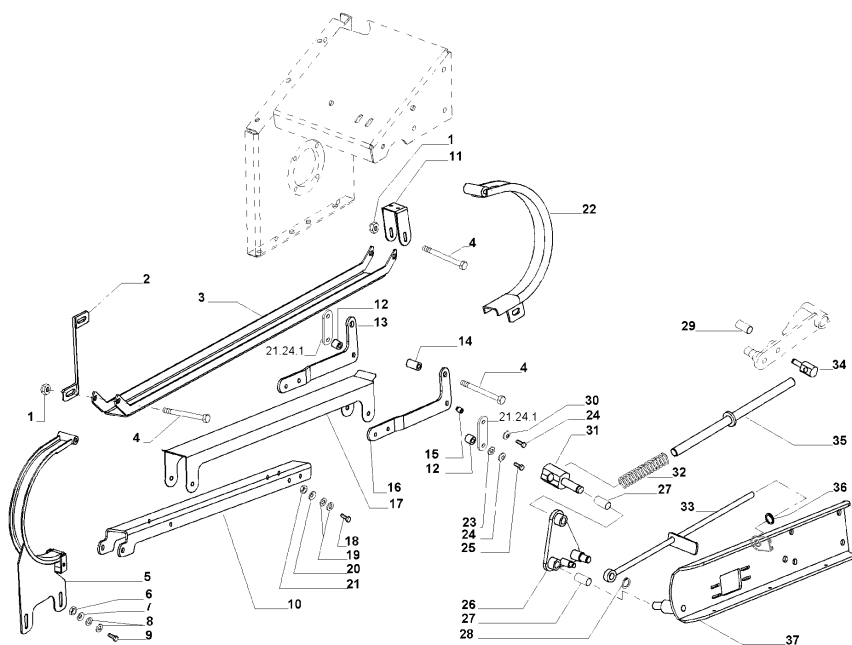
MTB "AL" AL quattro (552000130_552009999)



21.24_07

- 34 322811450
- 35 322839650
- 36 340481703
- 37 322836050

- 1 BALL JOINT
- 1 TIE ROD
- 1 GROMMET
- 1 PROFILE

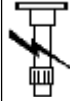


STRAW WALKERS

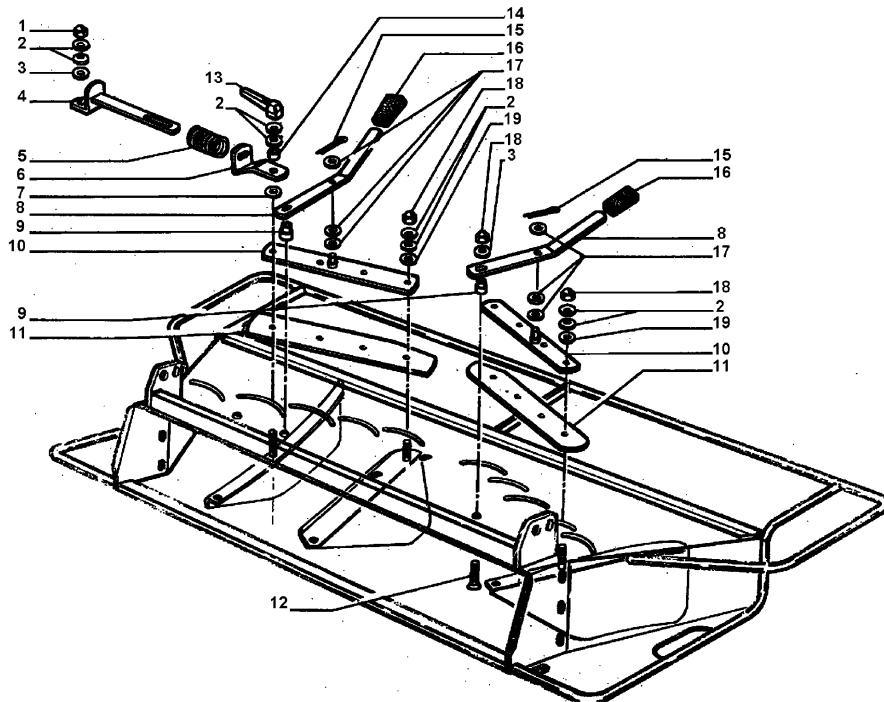
21.2
4_16

STRAW CHOPPER-DEFLECTORS page 2

MTB "AL" AL quattro (552000130_552009999)



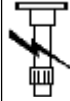
21.24_16



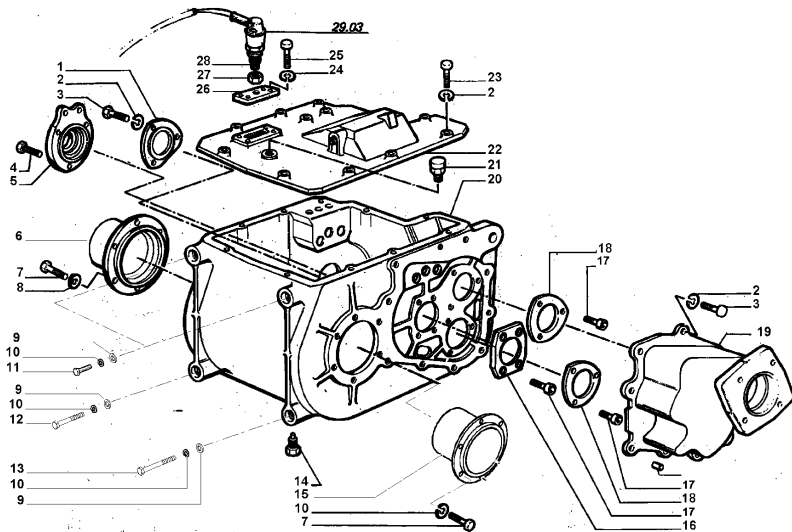
- | | | | |
|----|-----------|---|------------|
| 1 | 322218750 | 1 | NUT |
| 2 | 321365050 | 1 | SPRING |
| 3 | 355510820 | 1 | WASHER |
| 4 | 322338050 | 1 | TIE ROD |
| 5 | 353561167 | 1 | SPRING |
| 6 | 322338150 | 1 | SPRING STO |
| 7 | 355520860 | 1 | WASHER |
| 8 | 322336950 | 1 | LEVER LEAD |
| 9 | 322337250 | 1 | BUSH |
| 10 | 322336750 | 1 | ROD |
| 11 | 322336850 | 1 | SKATE |
| 12 | 14442321 | 1 | SCREW |
| 13 | 322354150 | 1 | HANDLE |
| 14 | 340415206 | 1 | SPACER |
| 15 | 10733601 | 1 | LINCH PIN |
| 16 | 322337750 | 1 | HANDLE GRI |
| 17 | 355532620 | 1 | WASHER |
| 18 | 322218750 | 1 | NUT |
| 19 | 355510810 | 1 | WASHER |

● 003555108200 (1)

MTB "AL" AL quattro (552000130_552009999)



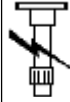
11.03_08



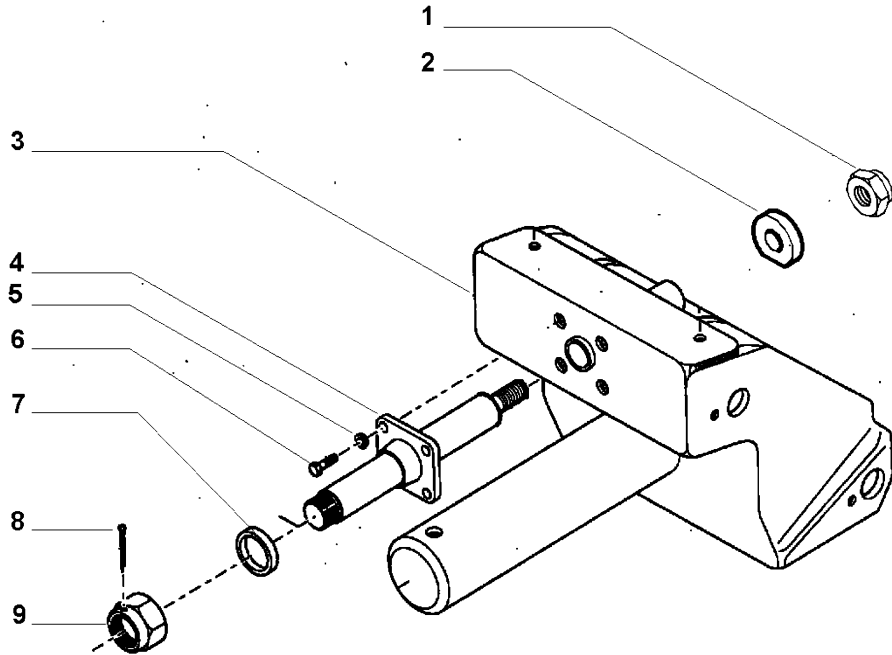
- | | | | |
|----|-----------|---|------------|
| 1 | 322066550 | 1 | COVER |
| 2 | 12034671 | 3 | LOCK WASHE |
| 3 | 11106431 | 3 | SCREW |
| 4 | 11107031 | 1 | SCREW |
| 5 | 321873950 | 1 | SUPPORT |
| 6 | 321732950 | 1 | SUPPORT |
| 7 | 11112431 | 2 | SCREW |
| 8 | 355561230 | 1 | WASHER |
| 9 | 355532750 | 3 | WASHER |
| 10 | 12034871 | 3 | LOCK WASHE |
| 11 | 16041221 | 3 | SCREW |
| 12 | 11120121 | 3 | SCREW |
| 13 | 11120921 | 1 | SCREW |
| 14 | 322062500 | 1 | PLUG |
| 15 | 321733050 | 1 | SUPPORT |
| 16 | 321873650 | 1 | COVER |
| 17 | 14420334 | 3 | SCREW |
| 18 | 322066450 | 2 | COVER |
| 19 | 322245550 | 1 | SUPPORT |
| 20 | 322534750 | 1 | GEARBOX |
| 21 | 312974500 | 1 | PLUG |
| 22 | 322068550 | 1 | COVER BOX |
| 23 | 11106631 | 1 | SCREW |
| 24 | 12034571 | 1 | LOCK WASHE |
| 25 | 16043424 | 1 | SCREW |
| 26 | 322861650 | 1 | COVER |
| 27 | 10726711 | 1 | NUT |
| 28 | 322861500 | 1 | SENSOR |

● 000800432600 (2)

MTB "AL" AL quattro (552000130_552009999)



11.06_5



- 1 12575111
- 2 322937750
- 3 321730250
- 4 322937650
- 5 12034771
- 6 15540521
- 7 320555250
- 8 10795401
- 9 360652736

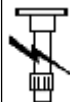
- 1 NUT
- 1 WASHER
- 1 AXLE CARRI
- 1 PIN
- 1 LOCK WASHE
- 1 SCREW
- 1 SPACER
- 1 LINCH PIN
- 1 NUT

TRACTION

11.1
8_B

BRAKES ELEMENTS

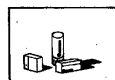
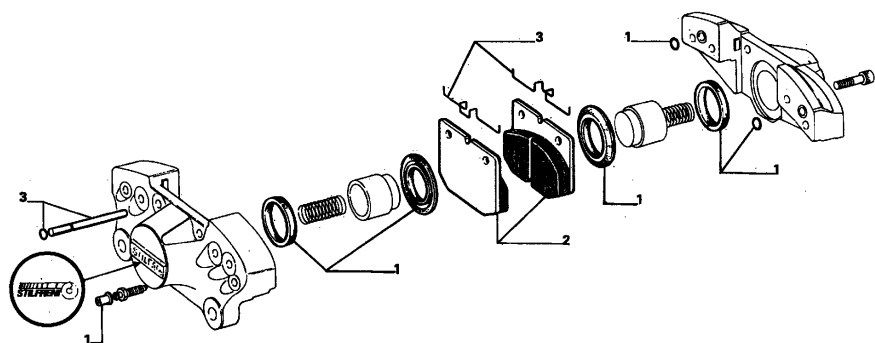
MTB "AL" AL quattro (552000130_552009999)



11.18_B

- 1 322166400
- 2 321981400
- 3 322166500

- 1 KIT SEALS
- 1 PAD SET
- 1 SET OF PIV



TRACTION

17.0
2_2

PUMP DRIVE page2

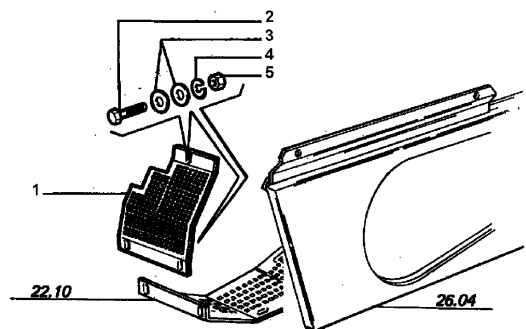
MTB "AL" AL quattro (552000130_552009999)



17.02_2

- 1 321930850
- 2 16043624
- 3 355510820
- 4 12034571
- 5 16100811

- 1 SHIELD
- 1 SCREW
- 1 WASHER
- 1 LOCK WASHE
- 1 NUT

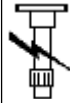


TRACTION

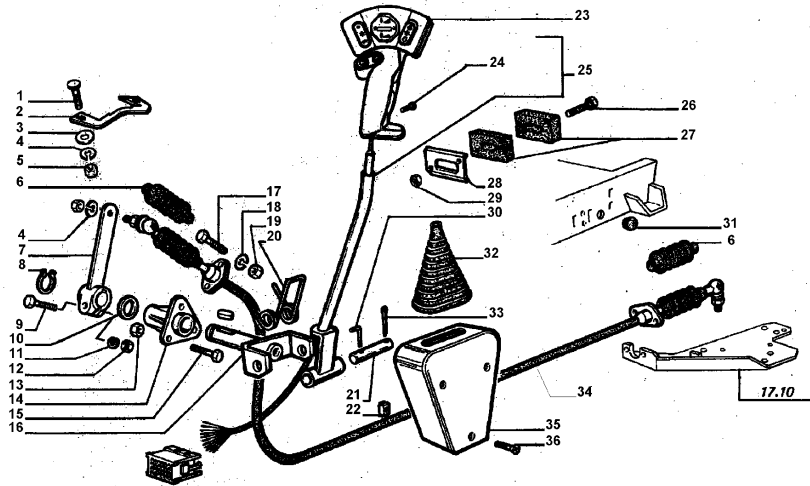
17.1
1_1

MULTIFUNCTIONS LEVER FOR HYDROSTATIC TRACTION

MTB "AL" AL quattro (552000130_552009999)




17.11_1



- | | | | |
|----|-----------|---|------------|
| 1 | 350342512 | 1 | SCREW |
| 2 | 322036450 | 1 | SECTOR |
| 3 | 355500920 | 1 | WASHER |
| 4 | 12034571 | 1 | LOCK WASHE |
| 5 | 16100811 | 1 | NUT |
| 6 | 300139049 | 1 | SLEEVE |
| 7 | 322127750 | 1 | LEVER |
| 8 | 11067476 | 1 | SPRING LOC |
| 9 | 11107321 | 1 | SCREW |
| 10 | 355536704 | 1 | WASHER |
| 11 | 12034671 | 1 | LOCK WASHE |
| 12 | 11701721 | 1 | NUT |
| 13 | 16104111 | 1 | NUT |
| 14 | 322090050 | 1 | SUPPORT |
| 15 | 16043824 | 1 | SCREW |
| 16 | 321980250 | 1 | PIN |
| 17 | 10902224 | 1 | SCREW |
| 18 | 12035670 | 1 | LOCK WASHE |
| 19 | 15896221 | 1 | NUT |
| 20 | 350356935 | 1 | SPRING |
| 21 | 321395750 | 1 | DOWEL |
| 22 | 321284450 | 1 | NUT |
| 23 | 322908700 | 1 | HANDLE GRI |
| 24 | 14418921 | 1 | SCREW |
| 25 | 322657950 | 1 | LEVER |
| 26 | 10902621 | 1 | SCREW |
| 27 | 322057150 | 1 | GASKET |
| 28 | 322057250 | 1 | STRAP |
| 29 | 12574211 | 1 | NUT |
| 30 | 300136233 | 1 | DOWEL |
| 31 | 350359452 | 1 | PLUG |
| 32 | 322134350 | 1 | BELLOWS |
| 33 | 10797001 | 1 | LINCH PIN |

● 000120356710 (1)

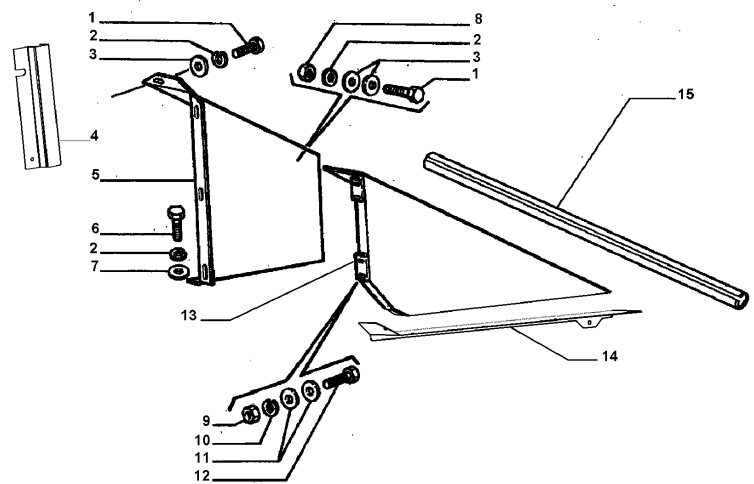
VARIATIONS

100
-
21.24.5
 10021.24
.5

STRAW CHOPPER-DRIVE GUARD

MTB "AL" AL quattro (552000130_552009999)

- | | | | |
|----|------------------|---|------------|
| 1 | 16043421 | 1 | SCREW |
| 2 | 12034571 | 1 | LOCK WASHE |
| 3 | 355510820 | 1 | WASHER |
| 4 | 323012150 | 1 | SHIELD |
| 5 | 323305050 | 1 | SHIELD |
| 6 | 16043221 | 1 | SCREW |
| 7 | 355500920 | 1 | WASHER |
| 8 | 16100811 | 1 | NUT |
| 9 | 15896211 | 1 | NUT |
| 10 | 12035671 | 1 | LOCK WASHE |
| 11 | 355500715 | 1 | WASHER |
| 12 | 10902221 | 1 | SCREW |
| 13 | 323320350 | 1 | SHIELD |
| 14 | 0032333825
00 | 1 | PANEL |
| 15 | 322795450 | 1 | PROFILE |



VARIATIONS

100
- 739_3

COMPRESSE AIR RECEIV pag 3

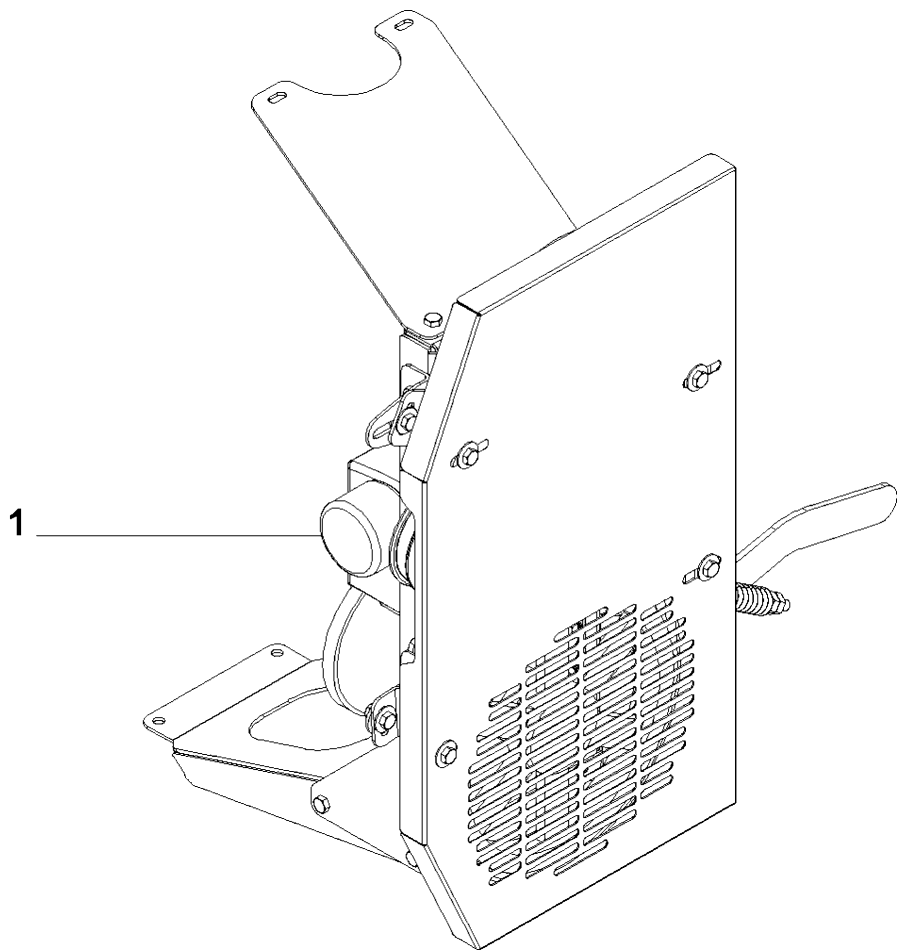
MTB "AL" AL quattro (552000130_552009999)



100739
3

1 323218000

1 COMPRESSOR

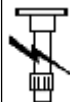


VARIATIONS

100
- 83.00

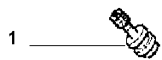
FRONT WHEELS

MTB "AL" AL quattro (552000130_552009999)



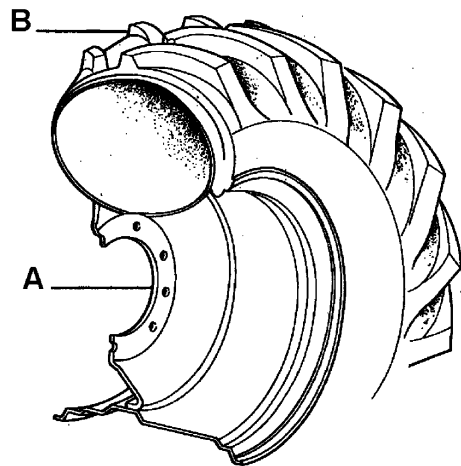
10083.00

- | | | | |
|---|------------------|---|------------|
| 1 | 322206200 | 1 | VALVE |
| 2 | 340478346 | 1 | DECAL |
| 3 | 340478342 | 1 | DECAL |
| 4 | 320838150 | 1 | DISC WHEEL |
| 5 | 0032329585
00 | 1 | HOOP |



2 BAR 2.6
PSI 37.7 ©

3 BAR 3.2
PSI 46.4 Ⓓ



MOD.	A	Spostamento Cerchio	B	
AL quattro	4	+ 120	620/75R26-166A8	©
AL quattro	5	+ 120	620/75R30-168A8	Ⓓ

CLICK HERE TO **DOWNLOAD** THE COMPLETE MANUAL

- Thank you very much for reading the preview of the manual.
- You can download the complete manual from: www.heydownloads.com by clicking the link below



- Please note: If there is no response to CLICKING the link, please download this PDF first and then click on it.

CLICK HERE TO **DOWNLOAD** THE COMPLETE MANUAL