

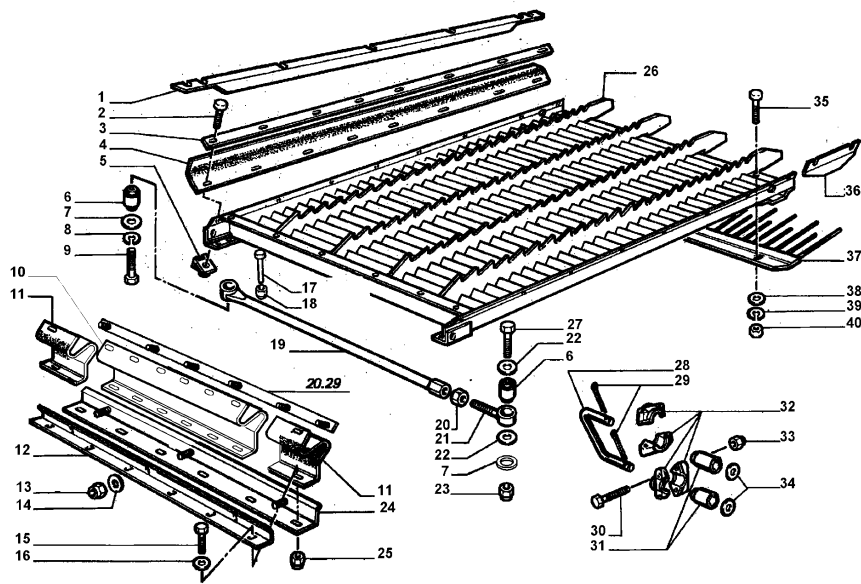
CLEANING

22.0  
1

GRAIN PAN

MTB "AL" AL quattro (55200001\_552000129)

22.01



- |    |           |                    |            |           |
|----|-----------|--------------------|------------|-----------|
| 1  | 321844050 | 1                  | PLATE      |           |
| 2  | 10977821  | 1                  | SCREW      |           |
| 3  | 321828350 | 1                  | STRAP      |           |
| 4  | 321828250 | 1                  | CONVEYOR   |           |
| 5  | 322121950 | 1                  | NUT        |           |
| 6  | 340449005 | 1                  | SILENTBLOC |           |
| 7  | 355531830 | 1                  | WASHER     |           |
| 8  | 12035571  | 1                  | LOCK WASHE |           |
| 9  | 11116221  | 1                  | SCREW      |           |
| 10 | 323119950 | 1                  | GASKET     |           |
| 11 | 323120150 | 1                  | GASKET     |           |
| 12 | 322125050 | 1                  | PROFILE    |           |
| 13 | 12574111  | 1                  | NUT        |           |
| 14 | 355500615 | 1                  | WASHER     |           |
| 15 | 16043624  | 1                  | SCREW      |           |
| 16 | 355510820 | 1                  | WASHER     |           |
| 17 | 10902621  | 1                  | SCREW      |           |
| 18 | 12574211  | 1                  | NUT        |           |
| 19 | 321840050 | 1                  | ARM        |           |
| 20 | 11702921  | 1                  | NUT        |           |
| 21 | 321839950 | 1                  | HEAD       |           |
| 22 | 340415093 | 1                  | SPACER     |           |
| 23 | 12577311  | 1                  | NUT        |           |
| 24 | 322124950 | 1                  | PROFILE    |           |
| 25 | 16104111  | 1                  | NUT        |           |
| 26 | 322135750 | ● 003233658505 (1) | 1          | GRAIN PAN |
| 27 | 11116621  | 1                  | SCREW      |           |
| 28 | 321828450 | 1                  | CONROD     |           |
| 29 | 10733801  | 1                  | LINCH PIN  |           |
| 30 | 11107621  | 1                  | SCREW      |           |
| 31 | 322203650 | 1                  | BUSH       |           |
| 32 | 322194750 | 1                  | SUPPORT    |           |
| 33 | 12577211  | 1                  | NUT        |           |

CLICK HERE TO **DOWNLOAD** THE COMPLETE MANUAL

- Thank you very much for reading the preview of the manual.
- You can download the complete manual from: [www.heydownloads.com](http://www.heydownloads.com) by clicking the link below



- Please note: If there is no response to CLICKING the link, please download this PDF first and then click on it.

CLICK HERE TO **DOWNLOAD** THE COMPLETE MANUAL

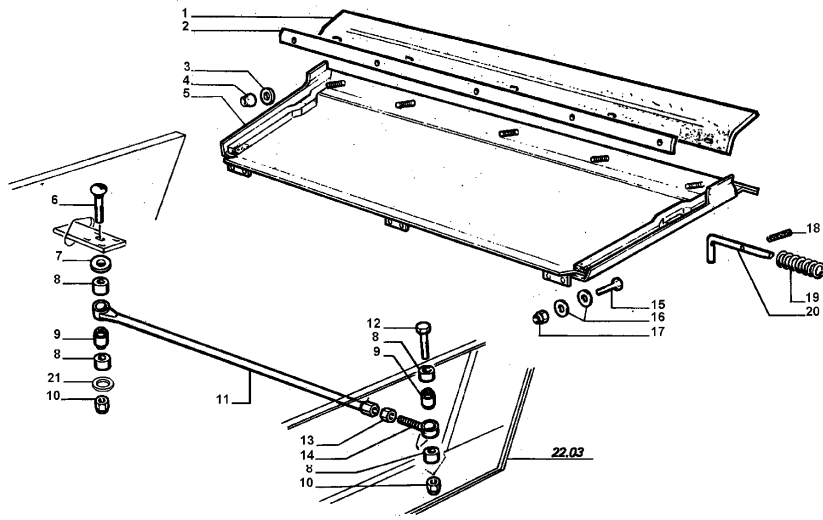
CLEANING

22.0  
4\_2

LOWER SHAKER SHOE page 2

MTB "AL" AL quattro (55200001\_552000129)

22.04\_2



- |    |           |   |            |
|----|-----------|---|------------|
| 1  | 322115450 | 1 | GASKET     |
| 2  | 322117250 | 1 | STRAP      |
| 3  | 355500715 | 1 | WASHER     |
| 4  | 360653406 | 1 | NUT        |
| 5  | 322115950 | 1 | LID        |
| 6  | 366001434 | 1 | SCREW      |
| 7  | 355531950 | 1 | WASHER     |
| 8  | 340415093 | 1 | SPACER     |
| 9  | 340449005 | 1 | SILENTBLOC |
| 10 | 12577311  | 1 | NUT        |
| 11 | 321840050 | 1 | ARM        |
| 12 | 11116421  | 1 | SCREW      |
| 13 | 11702921  | 1 | NUT        |
| 14 | 321839950 | 1 | HEAD       |
| 15 | 10902424  | 1 | SCREW      |
| 16 | 355500715 | 1 | WASHER     |
| 17 | 12574211  | 1 | NUT        |
| 18 | 13902570  | 1 | DOWEL      |
| 19 | 353561158 | 1 | SPRING     |
| 20 | 322115150 | 1 | LATCH      |
| 21 | 355531830 | 1 | WASHER     |

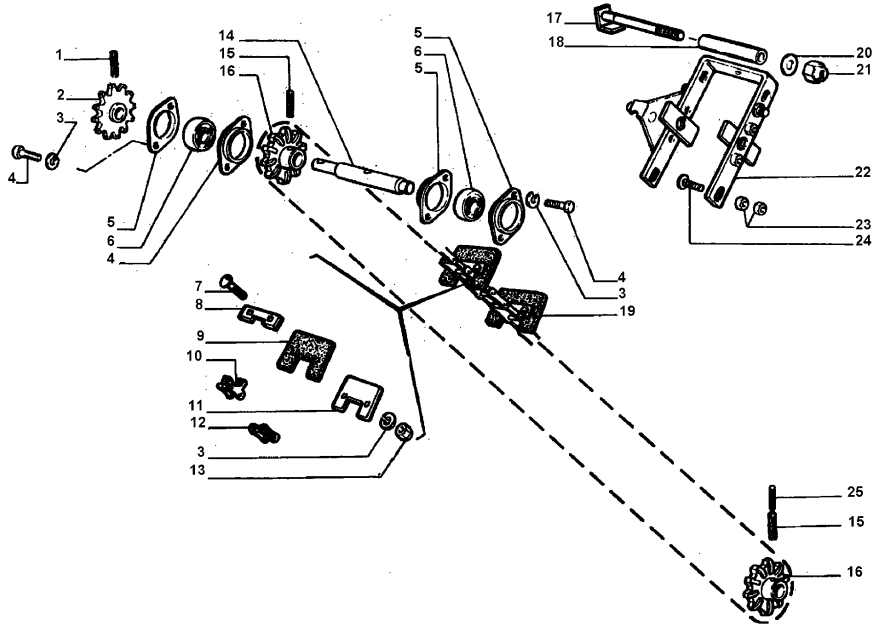
CLEANING

22.0  
7\_3

TAILINGS ELEVATOR (NORMAL) page 3

MTB "AL" AL quattro (55200001\_552000129)

22.07\_3



- |    |           |   |            |
|----|-----------|---|------------|
| 1  | 14607270  | 1 | PLUG       |
| 2  | 300110254 | 1 | GEAR       |
| 3  | 12034571  | 1 | LOCK WASHE |
| 4  | 16043424  | 1 | SCREW      |
| 5  | 340411458 | 1 | FLANGE     |
| 6  | 340411236 | 1 | BEARING    |
| 7  | 350342513 | 1 | SCREW      |
| 8  | 321814650 | 1 | STRAP      |
| 9  | 321821950 | 1 | PADDLE     |
| 10 | 344382162 | 1 | CONNECTING |
| 11 | 321822050 | 1 | AGAINST    |
| 12 | 344382163 | 1 | CONNECTING |
| 13 | 16104111  | 1 | NUT        |
| 14 | 322127050 | 1 | SHAFT      |
| 15 | 14610370  | 1 | PLUG       |
| 16 | 300132810 | 1 | GEAR       |
| 17 | 320592250 | 1 | PIN        |
| 18 | 321952850 | 1 | SPACER     |
| 19 | 321862400 | 1 | CHAIN      |
| 20 | 355511050 | 1 | WASHER     |
| 21 | 12577211  | 1 | NUT        |
| 22 | 321861050 | 1 | CHAIN ADJU |
| 23 | 16100811  | 1 | NUT        |
| 24 | 350342512 | 1 | SCREW      |
| 25 | 14604570  | 1 | PLUG       |

● 003001328103 (1)

CLEANING

23.0  
4

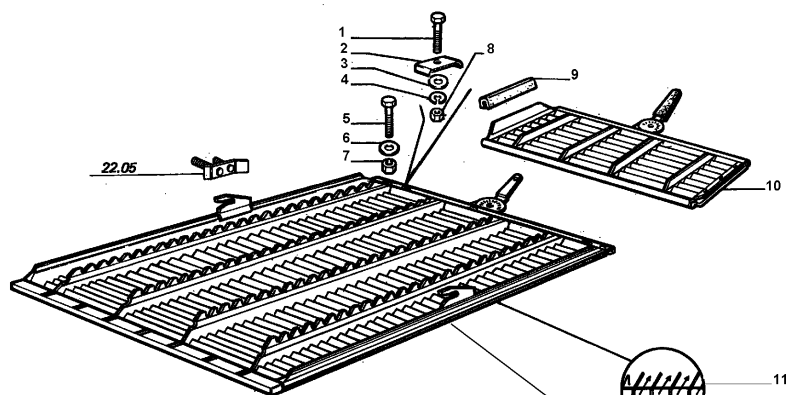
UPPER SIEVE ADJUSTABLE

MTB "AL" AL quattro (55200001\_552000129)

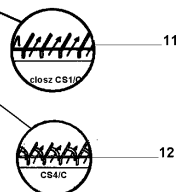
23.04



- |    |           |                    |   |            |
|----|-----------|--------------------|---|------------|
| 1  | 16040821  |                    | 1 | SCREW      |
| 2  | 321839150 |                    | 1 | PARABOLA S |
| 3  | 355501120 |                    | 1 | WASHER     |
| 4  | 12034671  |                    | 1 | LOCK WASHE |
| 5  | 11107311  | ● 000111073210 (1) | 1 | SCREW      |
| 6  | 355511030 |                    | 1 | WASHER     |
| 7  | 12577211  |                    | 1 | NUT        |
| 8  | 11701721  |                    | 1 | NUT        |
| 9  | 322204350 |                    | 1 | GASKET     |
| 10 | 322136700 |                    | 1 | SIEVE EXTE |
| 11 | 322136400 |                    | 1 | SIEVE      |
| 12 | 322230400 |                    | 1 | SIEVE      |



**LA DOTAZIONE DEI VAGLI VARIA SECONDO L'ALLEGSTIMENTO DELLA MACCHINA**  
*La dotation des cribles varie selon le standard de la machine*  
*Die siebeausstattung wechselt gemass der maschinenschausruerung*  
*The set of sieves varies according to the machines standard*  
*La dotacion de las cribes varian segun el alistamiento de la maquina*



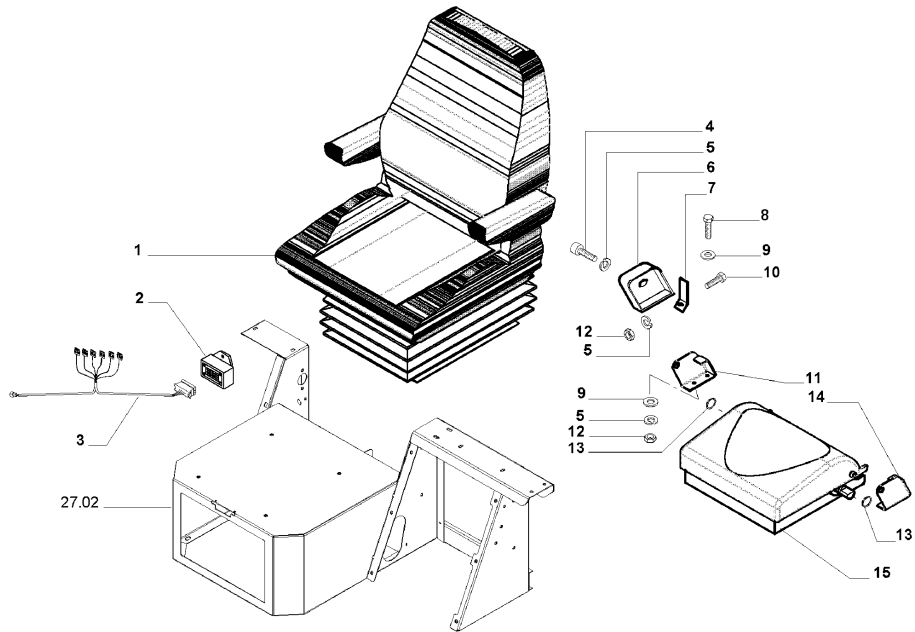
DRIV'S PLATFORM

27.0  
8\_1

SEAT

MTB "AL" AL quattro (55200001\_552000129)

27.08\_1



- |    |           |                    |              |
|----|-----------|--------------------|--------------|
| 1  | 323286850 | ● 003234022500 (1) | 1 SEAT       |
| 2  | 323189600 |                    | 1 ELECTRONIC |
| 3  | 323202100 |                    | 1 WIRE/CABLE |
| 4  | 13274211  |                    | 1 SCREW      |
| 5  | 12035471  |                    | 3 LOCK WASHE |
| 6  | 322805150 |                    | 1 SHIELD     |
| 7  | 322804550 |                    | 1 PARABOLA S |
| 8  | 16043624  |                    | 1 SCREW      |
| 9  | 355500820 |                    | 2 WASHER     |
| 10 | 16043424  |                    | 1 SCREW      |
| 11 | 322804350 |                    | 1 SUPPORT    |
| 12 | 16100811  |                    | 1 NUT        |
| 13 | 11066476  |                    | 1 SPRING LOC |
| 14 | 323196450 |                    | 1 SUPPORT    |
| 15 | 323101850 |                    | 1 SEAT       |

DRIV'S PLATFORM

27.1  
3.6\_1

CAB - HEADLIGHT page 1

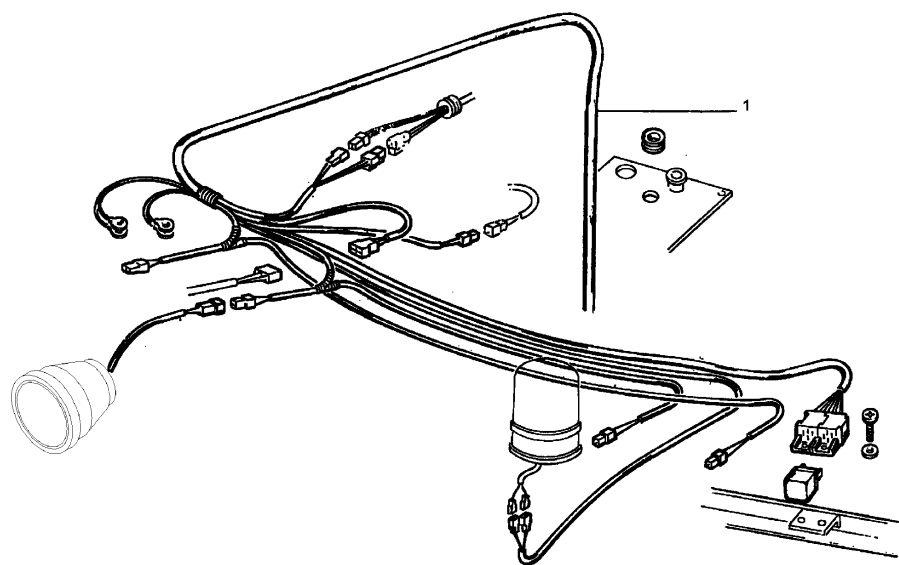
MTB "AL" AL quattro (55200001\_552000129)



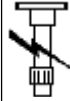
27.13.6  
1

1 323214000

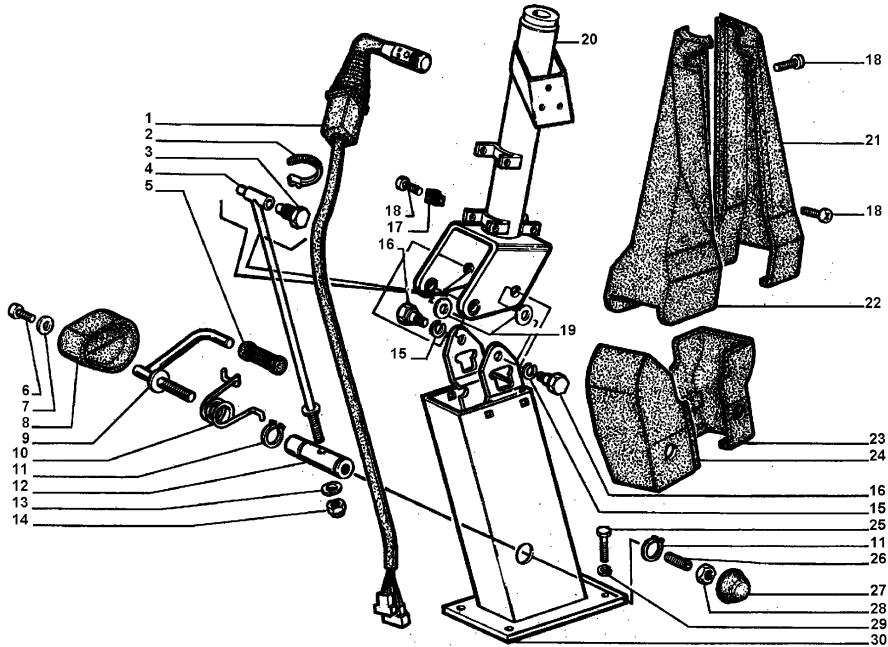
1 WIRING HAR



MTB "AL" AL quattro (55200001\_552000129)



27.25\_1



- |    |           |   |            |
|----|-----------|---|------------|
| 1  | 322118100 | 1 | SHUNTER    |
| 2  | 340481810 | 1 | CLAMP      |
| 3  | 322678450 | 1 | SCREW      |
| 4  | 322677950 | 1 | TIE ROD    |
| 5  | 340441012 | 1 | PAD,RUBBER |
| 6  | 10376511  | 1 | SCREW      |
| 7  | 355510615 | 1 | WASHER     |
| 8  | 321277750 | 1 | COVER      |
| 9  | 322677850 | 1 | PEDAL      |
| 10 | 322678050 | 1 | SPRING     |
| 11 | 11067676  | 2 | SPRING LOC |
| 12 | 300137550 | 1 | BUSH       |
| 13 | 355531830 | 1 | WASHER     |
| 14 | 12577311  | 1 | NUT        |
| 15 | 12034871  | 2 | LOCK WASHE |
| 16 | 322678350 | 2 | SCREW      |
| 17 | 14215282  | 1 | BLOCK      |
| 18 | 15959207  | 3 | SCREW      |
| 19 | 355532620 | 1 | WASHER     |
| 20 | 322678150 | 1 | SUPPORT    |
| 21 | 322395150 | 1 | SHIELD     |
| 22 | 322395250 | 1 | SHIELD     |
| 23 | 322395350 | 1 | SHIELD     |
| 24 | 322395450 | 1 | SHIELD     |
| 25 | 16043624  | 1 | SCREW      |
| 26 | 300137551 | 1 | TIE ROD    |
| 27 | 321254350 | 1 | COVER      |
| 28 | 10717421  | 1 | NUT        |
| 29 | 12034571  | 1 | LOCK WASHE |
| 30 | 322678250 | 1 | SUPPORT    |

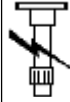
● N.A. (1)

DRUM

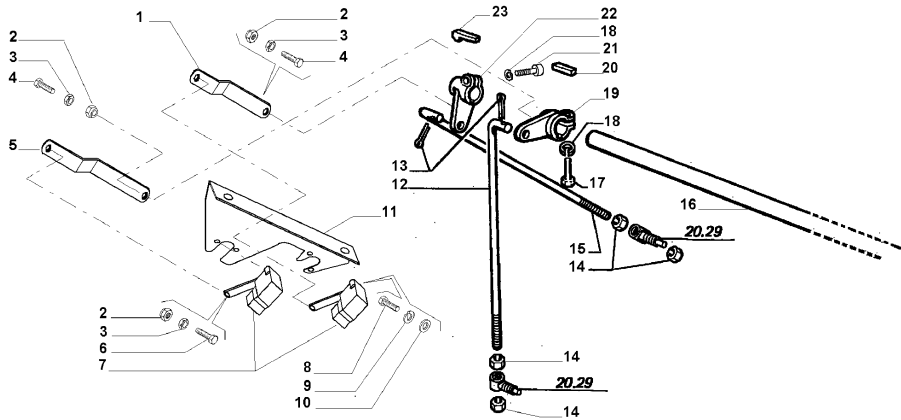
20.1  
2\_1

CONCAVE CONTROL DRIVE page 1

MTB "AL" AL quattro (55200001\_552000129)



20.12\_1



- |    |           |   |            |
|----|-----------|---|------------|
| 1  | 322955950 | 1 | ROD        |
| 2  | 12574211  | 2 | NUT        |
| 3  | 15896211  | 2 | NUT        |
| 4  | 10902821  | 1 | SCREW      |
| 5  | 322955850 | 1 | ROD        |
| 6  | 10902421  | 1 | SCREW      |
| 7  | 410000354 | 1 | SENSOR     |
| 8  | 10977621  | 1 | SCREW      |
| 9  | 12035471  | 1 | LOCK WASHE |
| 10 | 355500610 | 1 | WASHER     |
| 11 | 322955750 | 1 | SUPPORT    |
| 12 | 300136297 | 1 | TIE ROD    |
| 13 | 10734001  | 2 | LINCH PIN  |
| 14 | 12163321  | 4 | NUT        |
| 15 | 300136298 | 1 | TIE ROD    |
| 16 | 322077150 | 1 | SHAFT      |
| 17 | 14420421  | 1 | SCREW      |
| 18 | 12034671  | 2 | LOCK WASHE |
| 19 | 300136294 | 1 | LEVER      |
| 20 | 350384740 | 1 | KEY        |
| 21 | 14420321  | 1 | SCREW      |
| 22 | 300136293 | 1 | LEVER      |
| 23 | 350381730 | 1 | KEY        |

● 003555006150 (1)

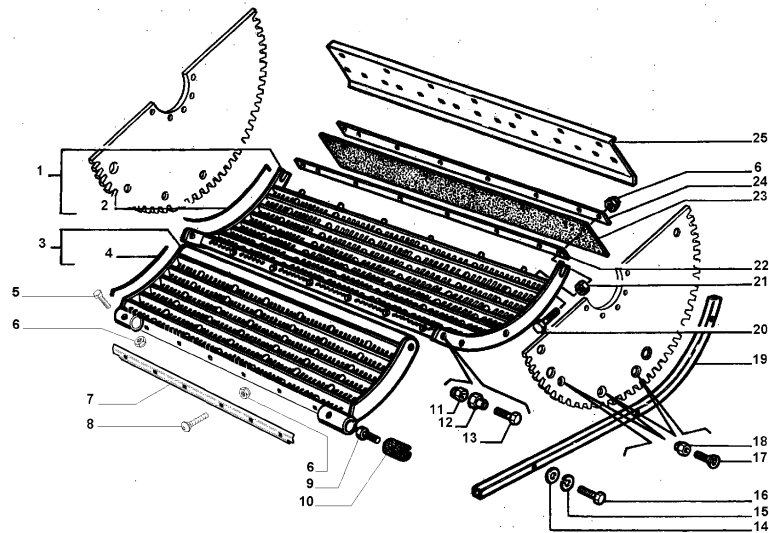
DRUM

20.4  
0\_5

MULTI CROP SEPARATOR page 5

MTB "AL" AL quattro (55200001\_552000129)

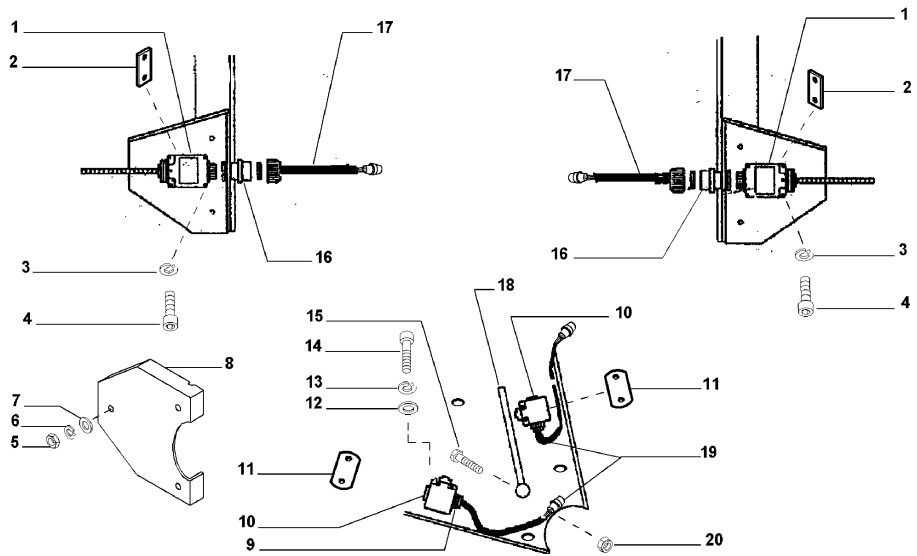
20.40\_5



1	322690200	●	003232763005 (1)	1	GRILLE
2	322688550			1	WIRE, RETA
3	323042750	●	003555335200 (1) 003232765005 (2)	1	FRAME
4	322097250			1	WIRE, RETA
5	16044321			1	SCREW
6	16104111			3	NUT
7	323045850			1	PROFILE
8	13180701			1	SCREW
9	14420121			1	SCREW
10	321812150			1	PAD
11	12577211			1	NUT
12	321809850			1	BUSH
13	16040821			1	SCREW
14	355500720	●	003555007150 (1)	1	WASHER
15	12035670	●	000120356710 (1)	1	LOCK WASHE
16	10902224			1	SCREW
17	14443431			1	SCREW
18	16105021	●	000161050110 (1)	1	NUT
19	321810450			1	GUIDE
20	16054621			1	SCREW
21	16102211			1	NUT
22	322687750			1	STRAP
23	322687850			1	CANVAS
24	322688350			1	STRAP
25	321822950	●	003218230500 (1)	1	PLATE

MTB "AL" AL quattro (55200001\_552000129)

29.02\_4



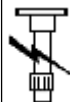
- |    |           |   |            |
|----|-----------|---|------------|
| 1  | 320571200 | 2 | SWITCH     |
| 2  | 320555550 | 2 | PLATE      |
| 3  | 12035471  | 2 | LOCK WASHE |
| 4  | 10390311  | 2 | SCREW      |
| 5  | 16100811  | 1 | NUT        |
| 6  | 12034571  | 1 | LOCK WASHE |
| 7  | 355510820 | 1 | WASHER     |
| 8  | 322858550 | 1 | COVER      |
| 9  | 321910400 | 1 | CABLE CLIP |
| 10 | 322622400 | 1 | SWITCH     |
| 11 | 322226450 | 2 | PLATE      |
| 12 | 355500515 | 1 | WASHER     |
| 13 | 12035371  | 1 | LOCK WASHE |
| 14 | 10375811  | 1 | SCREW      |
| 15 | 15213321  | 1 | SCREW      |
| 16 | 322278600 | 2 | CABLE CLIP |
| 17 | 322825800 | 2 | WIRE/CABLE |
| 18 | 321739350 | 1 | PARABOLA S |
| 19 | 322825800 | 1 | WIRE/CABLE |
| 20 | 16104111  | 1 | NUT        |

ELECTRIC SYSTEM

29.0  
4\_3

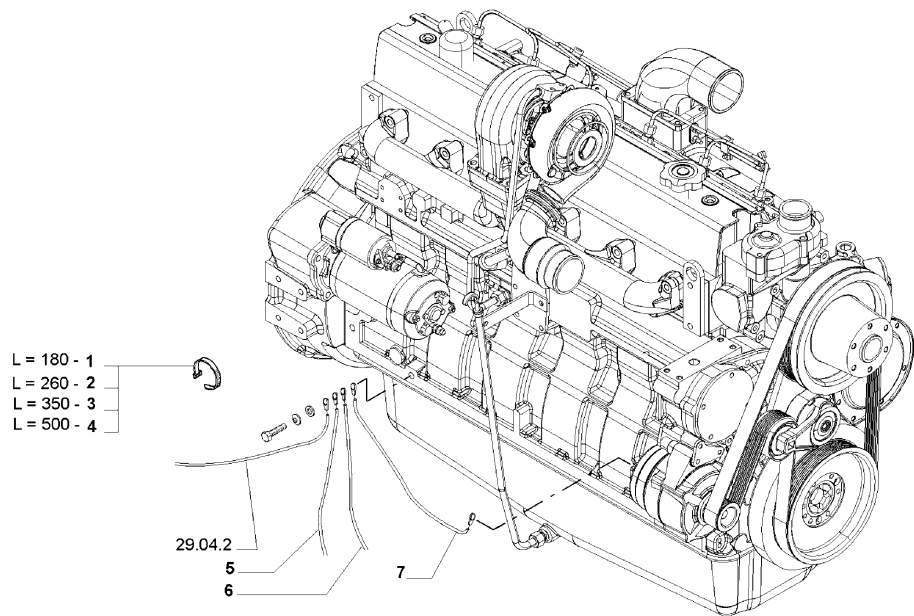
STARTING CIRCUITS page3

MTB "AL" AL quattro (55200001\_552000129)



29.04\_3

- |   |           |                    |   |            |
|---|-----------|--------------------|---|------------|
| 1 | 340481806 |                    | 1 | CLAMP      |
| 2 | 340481808 | ● 003404818090 (1) | 1 | CLAMP      |
| 3 | 340481809 |                    | 1 | CLAMP      |
| 4 | 340481811 |                    | 1 | CLAMP      |
| 5 | 322972350 |                    | 1 | WIRE/CABLE |
| 6 | 323061300 |                    | 1 | EARTH WIRE |
| 7 | 323153400 |                    | 1 | EARTH WIRE |



ELECTRIC SYSTEM

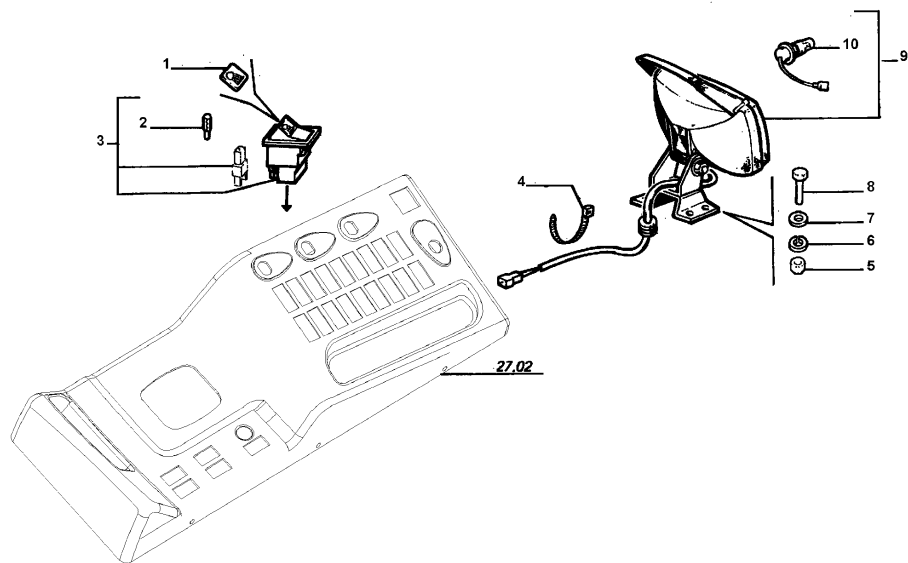
29.3  
5\_1

BACK-UP LAMP

MTB "AL" AL quattro (552000001\_552000129)



29.35\_1



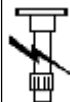
- |    |           |                    |   |            |
|----|-----------|--------------------|---|------------|
| 1  | 321932450 |                    | 1 | PLATE      |
| 2  | 14143790  |                    | 1 | LAMPADA    |
| 3  | 321848200 |                    | 1 | BUTTON     |
| 4  | 340481810 |                    | 1 | CLAMP      |
| 5  | 15896221  |                    | 1 | NUT        |
| 6  | 12035670  | ● 000120356710 (1) | 1 | LOCK WASHE |
| 7  | 355510620 | ● 003555106150 (1) | 1 | WASHER     |
| 8  | 10902224  |                    | 1 | SCREW      |
| 9  | 321932500 |                    | 1 | LIGHT      |
| 10 | 14151590  |                    | 1 | LAMPADA    |

Elevator

19.0  
4\_14

FRONT ELEVATOR

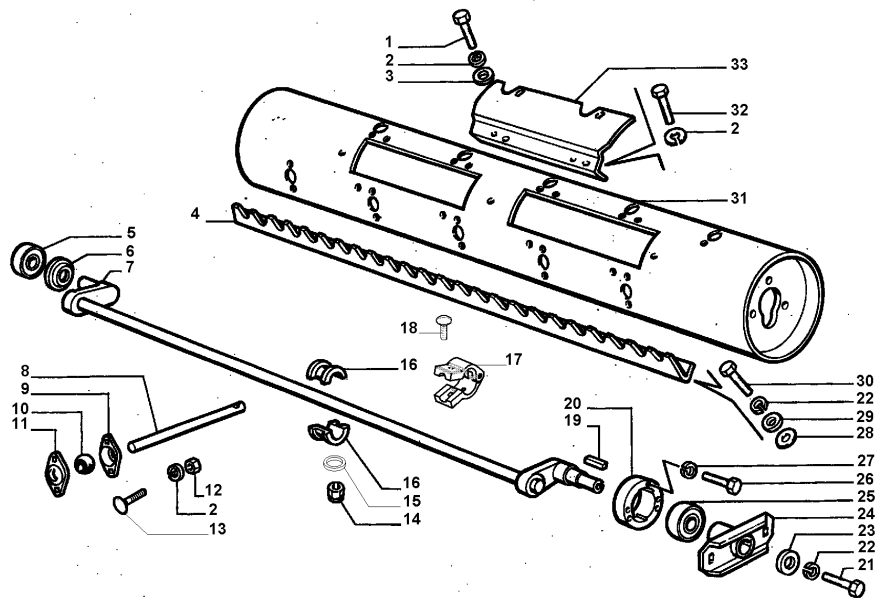
MTB "AL" AL quattro (55200001\_552000129)



19.04\_14

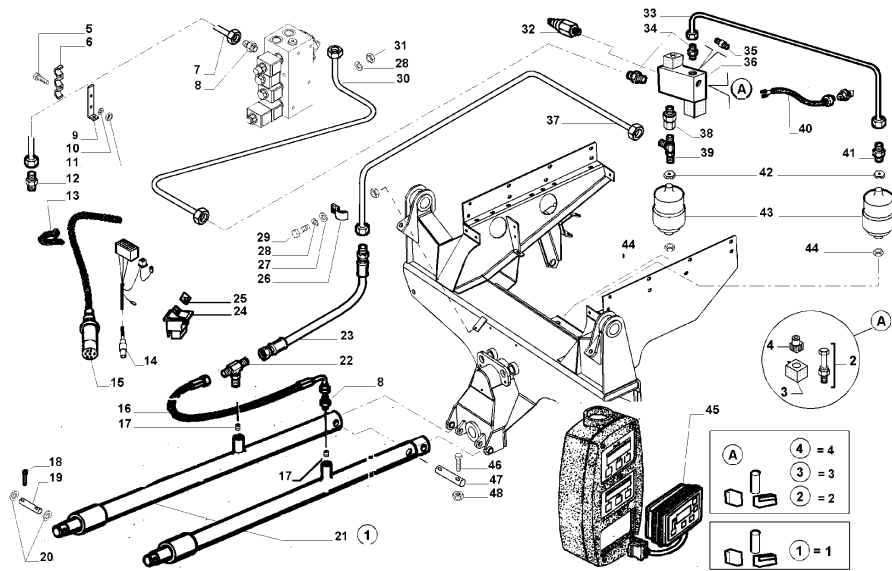
33 322197850

1 COVER



MTB "AL" AL quattro (55200001\_552000129)

19.12\_1



- |    |           |   |            |
|----|-----------|---|------------|
| 1  | 322546300 | 1 | KIT SEALS  |
| 2  | 322854750 | 1 | ELECTRO-VA |
| 3  | 322412950 | 1 | SOLENOID   |
| 4  | 322413000 | 1 | SOCKET     |
| 5  | 10902624  | 1 | SCREW      |
| 6  | 300136708 | 1 | BRIDLE     |
| 7  | 323160350 | 1 | PIPE       |
| 8  | 321875100 | 2 | UNION      |
| 9  | 322111550 | 1 | BRACKET, S |
| 10 | 12035670  | 1 | LOCK WASHE |
| 11 | 15896221  | 1 | NUT        |
| 12 | 321420150 | 1 | UNION      |
| 13 | 340481810 | 1 | CLAMP      |
| 14 | 322761100 | 1 | WIRE/CABLE |
| 15 | 322310100 | 1 | WIRE/CABLE |
| 16 | 321420650 | 1 | HOSE       |
| 17 | 322308350 | 2 | VALVE      |
| 18 | 10797401  | 1 | LINCH PIN  |
| 19 | 322859650 | 1 | COTTER     |
| 20 | 355536430 | 1 | WASHER     |
| 21 | 322852400 | 1 | JACK       |
| 22 | 322806600 | 1 | UNION      |
| 23 | 321957450 | 1 | HOSE       |
| 24 | 321848200 | 1 | BUTTON     |
| 25 | 322118450 | 1 | PLATE      |
| 26 | 300113894 | 1 | BRIDLE     |
| 27 | 355500915 | 1 | WASHER     |
| 28 | 12034571  | 2 | LOCK WASHE |
| 29 | 16043424  | 1 | SCREW      |
| 30 | 322852050 | 1 | PIPE       |
| 31 | 16100811  | 1 | NUT        |
| 32 | 322147250 | 1 | PRESSURE S |
| 33 | 322852150 | 1 | PIPE       |

● 000120356710 (1)

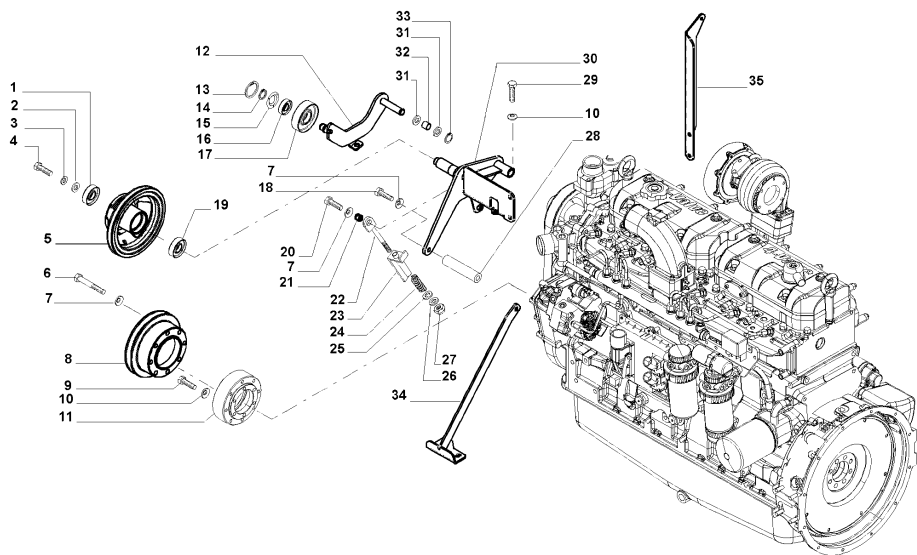
MTB "AL" AL quattro (55200001\_552000129)



10.01\_4

34 0032331825  
00

1 TIE ROD

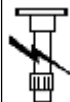


ENGINE INSTALLATION

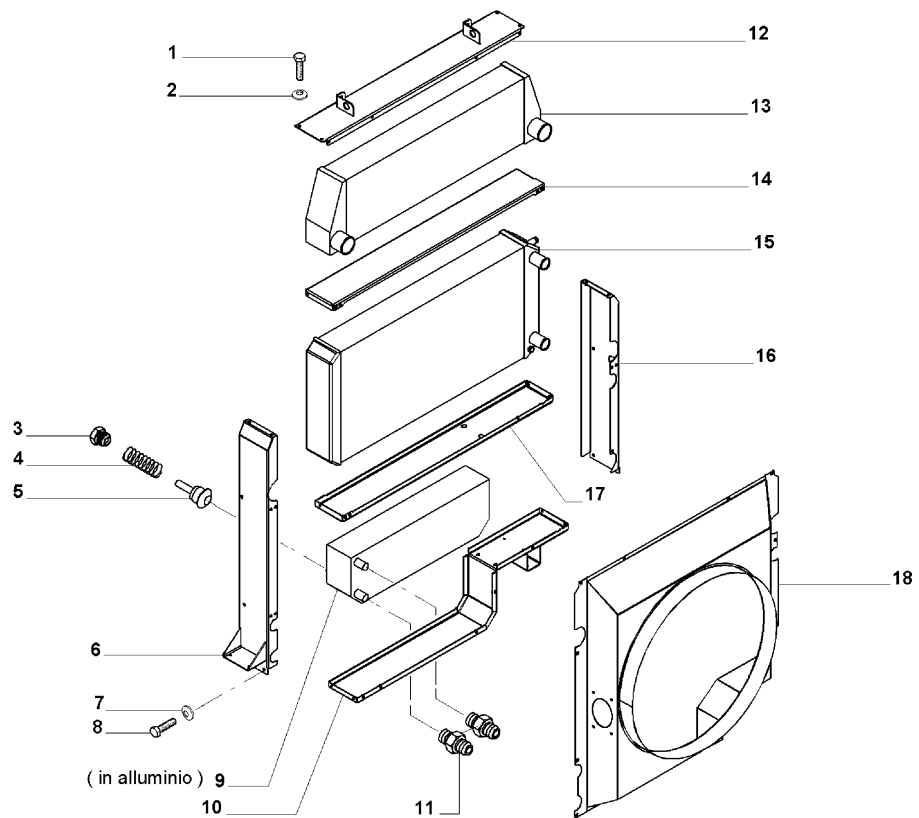
10.0  
7\_10

RADIATOR ELEMENTS

MTB "AL" AL quattro (55200001\_552000129)



10.07\_10



- |    |                  |   |            |
|----|------------------|---|------------|
| 1  | 16043221         | 4 | SCREW      |
| 2  | 322358           | 4 | WASHER     |
| 3  | 321230750        | 1 | PLUG       |
| 4  | 350356127        | 1 | SPRING     |
| 5  | 323105550        | 1 | COUNTER SE |
| 6  | 323096750        | 1 | BOARD      |
| 7  | 322358           |   | WASHER     |
| 8  | 16043221         |   | SCREW      |
| 9  | 323098250        | 1 | RADIATOR   |
| 10 | 323096650        | 1 | FRAME      |
| 11 | 323105400        | 2 | UNION      |
| 12 | 323096350        | 1 | COVER      |
| 13 | 323098050        | 1 | RADIATOR   |
| 14 | 323096450        | 1 | DIVIDER    |
| 15 | 0032328845<br>00 |   | RADIATOR   |
| 16 | 323096850        | 1 | BOARD      |
| 17 | 323096550        | 1 | PLATE      |
| 18 | 323096150        | 1 | AIR FUNNEL |

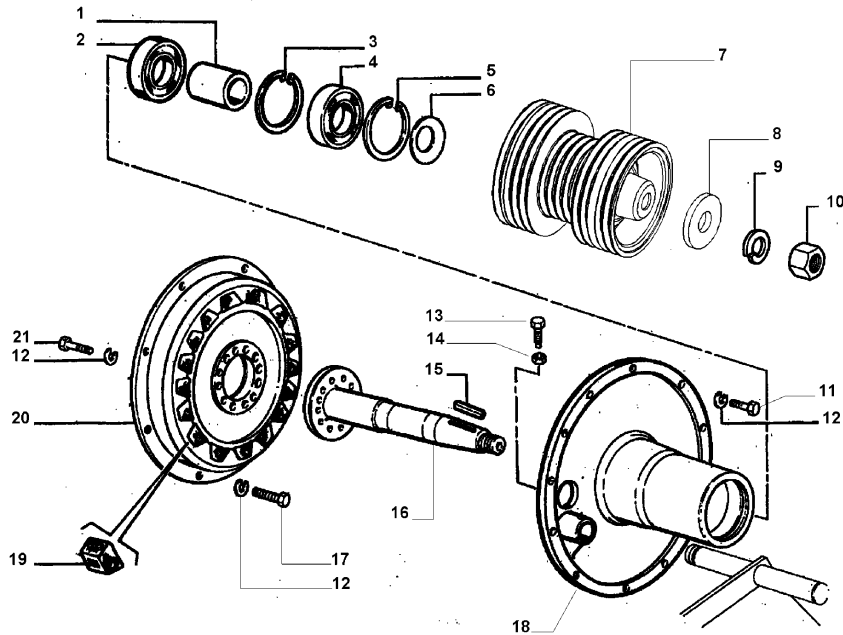
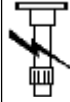
ENGINE INSTALLATION

10.0  
9\_1

POWER TAKE-OFF page 1

MTB "AL" AL quattro (55200001\_552000129)

10.09\_1



- |    |           |   |            |
|----|-----------|---|------------|
| 1  | 320583950 | 1 | SPACER     |
| 2  | 28996580  | 1 | BEARING    |
| 3  | 11062976  | 1 | SPRING LOC |
| 4  | 28996580  | 1 | BEARING    |
| 5  | 11062976  | 1 | SPRING LOC |
| 6  | 300112170 | 1 | WASHER     |
| 7  | 322810450 | 1 | PULLEY     |
| 8  | 300018047 | 1 | WASHER     |
| 9  | 350354030 | 1 | LOCK WASHE |
| 10 | 15500521  | 1 | NUT        |
| 11 | 11106621  | 1 | SCREW      |
| 12 | 12034671  | 3 | LOCK WASHE |
| 13 | 322867550 | 1 | SCREW      |
| 14 | 11702911  | 1 | NUT        |
| 15 | 350382975 | 1 | KEY        |
| 16 | 323173650 | 1 | SHAFT      |
| 17 | 350345213 | 1 | SCREW      |
| 18 | 322828250 | 1 | CRANKCASE  |
| 19 | 300135980 | 1 | PAD        |
| 20 | 313597700 | 1 | DISC       |
| 21 | 11306934  | 1 | SCREW      |

● 003001379320 (1)

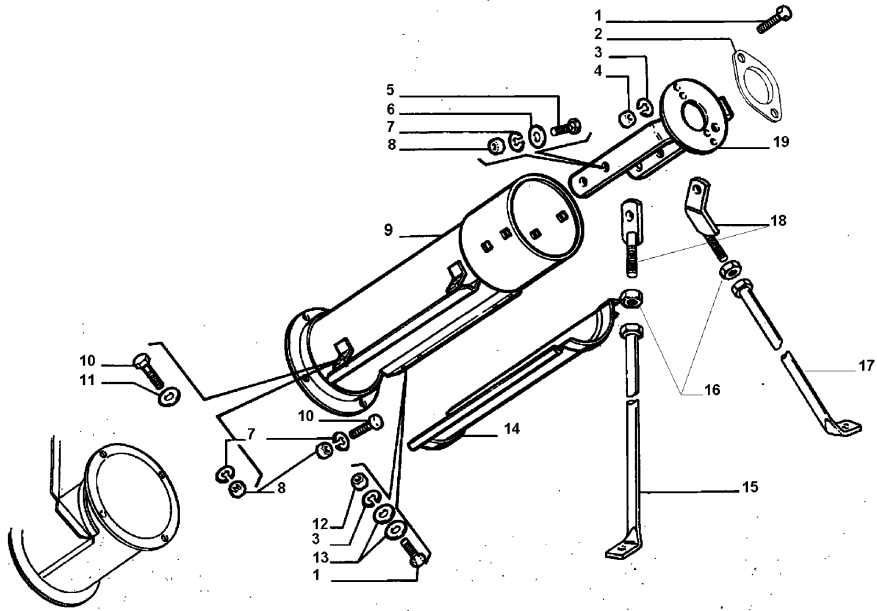
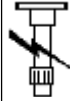
GRAIN TANK AND FAIRINGS

25.0  
5\_2

TANK FEED page2

MTB "AL" AL quattro (55200001\_552000129)

25.05\_2



- |    |           |   |            |
|----|-----------|---|------------|
| 1  | 10902224  | 2 | SCREW      |
| 2  | 323242550 | 1 | COVER      |
| 3  | 12035670  | 2 | LOCK WASHE |
| 4  | 15896221  | 1 | NUT        |
| 5  | 350342511 | 1 | SCREW      |
| 6  | 355500915 | 1 | WASHER     |
| 7  | 12034571  | 2 | LOCK WASHE |
| 8  | 16100811  | 2 | NUT        |
| 9  | 321851450 | 1 | PIPE       |
| 10 | 16043224  | 1 | SCREW      |
| 11 | 355510820 | 1 | WASHER     |
| 12 | 15896221  | 1 | NUT        |
| 13 | 355500715 | 1 | WASHER     |
| 14 | 321851550 | 1 | HATCH      |
| 15 | 322793550 | 1 | STRUT      |
| 16 | 16103611  | 2 | NUT        |
| 17 | 322744850 | 1 | STRUT      |
| 18 | 322793650 | 2 | TIE ROD    |
| 19 | 323114150 | 1 | BACKBONE   |

CLICK HERE TO **DOWNLOAD** THE COMPLETE MANUAL

- Thank you very much for reading the preview of the manual.
- You can download the complete manual from: [www.heydownloads.com](http://www.heydownloads.com) by clicking the link below



- Please note: If there is no response to CLICKING the link, please download this PDF first and then click on it.

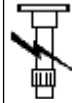
CLICK HERE TO **DOWNLOAD** THE COMPLETE MANUAL

GRAIN TANK AND FAIRINGS

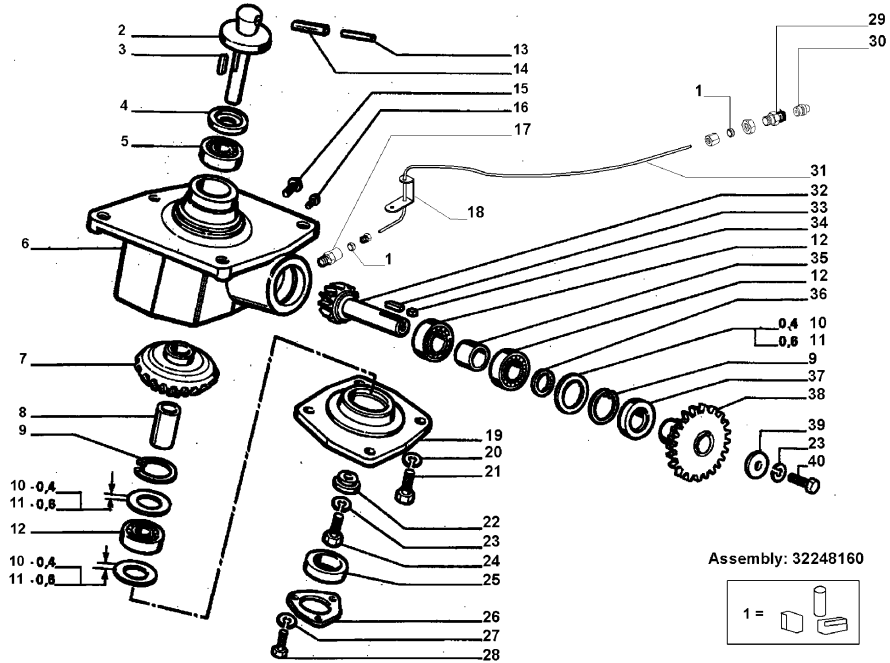
25.0  
7\_A

LOWER CASE ELEMENTS

MTB "AL" AL quattro (552000001\_552000129)



25.07\_A



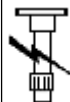
- |    |           |   |            |
|----|-----------|---|------------|
| 1  | 322930250 | 1 | RING       |
| 2  | 320949350 | 1 | SHAFT      |
| 3  | 10619920  | 1 | KEY        |
| 4  | 353583183 | 1 | GASKET     |
| 5  | 28996530  | 1 | BEARING    |
| 6  | 322481550 | 1 | BOX        |
| 7  | 320947350 | 1 | PINION     |
| 8  | 320948950 | 1 | SPACER     |
| 9  | 11061576  | 1 | SPRING LOC |
| 10 | 355547104 | 1 | WASHER     |
| 11 | 355547106 | 1 | WASHER     |
| 12 | 23111990  | 1 | BEARING    |
| 13 | 14607970  | 1 | PLUG       |
| 14 | 14617170  | 1 | PLUG       |
| 15 | 350359405 | 1 | PLUG       |
| 16 | 350359400 | 1 | PLUG       |
| 17 | 322881050 | 1 | UNION      |
| 18 | 323042550 | 1 | STIRRUP    |
| 19 | 320947250 | 1 | COVER BOX  |
| 20 | 12034571  | 1 | LOCK WASHE |
| 21 | 16043824  | 1 | SCREW      |
| 22 | 320948550 | 1 | WASHER     |
| 23 | 12034771  | 1 | LOCK WASHE |
| 24 | 15540521  | 1 | SCREW      |
| 25 | 320948650 | 1 | SPACER     |
| 26 | 300015238 | 1 | FLANGE     |
| 27 | 12034671  | 1 | LOCK WASHE |
| 28 | 10979224  | 1 | SCREW      |
| 29 | 322881150 | 1 | UNION      |
| 30 | 13407211  | 1 | NIPPLE, LU |
| 31 | 323041850 | 1 | PIPE       |
| 32 | 320948350 | 1 | PINION     |
| 33 | 350384636 | 1 | KEY        |
| 34 | 300135448 | 1 | GASKET     |

GRAIN TANK AND FAIRINGS

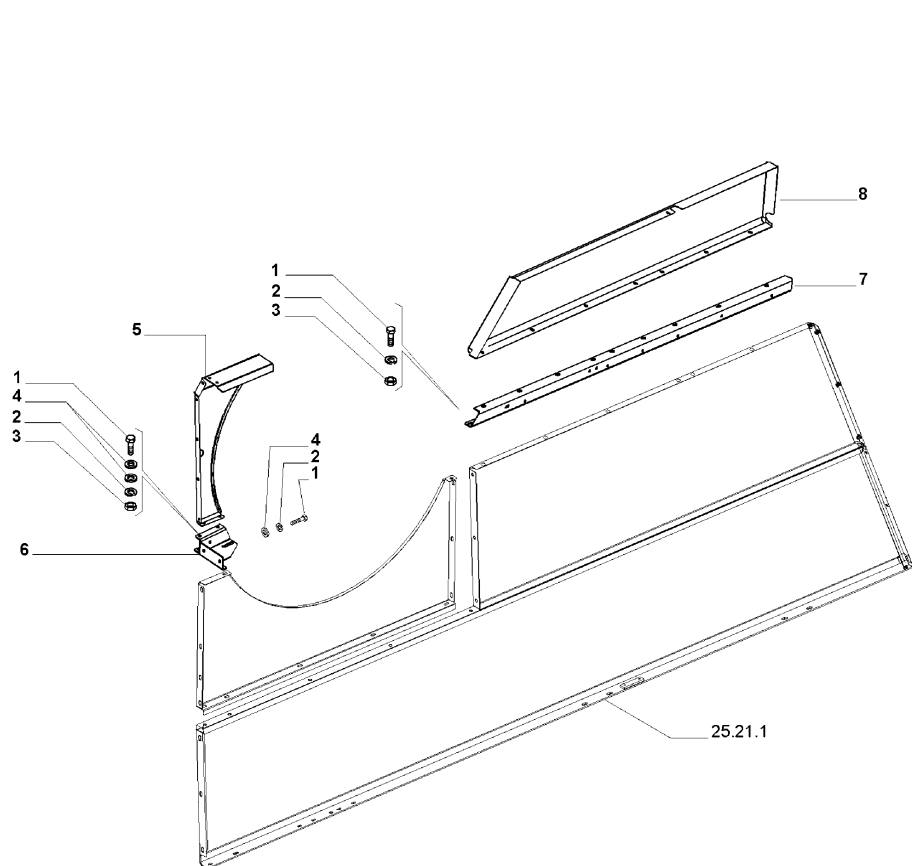
25.2  
1\_2

BODY, R.H. FOR ENGINE page 2

MTB "AL" AL quattro (55200001\_552000129)



25.21\_2



- |   |           |   |            |
|---|-----------|---|------------|
| 1 | 16043421  | 3 | SCREW      |
| 2 | 12034571  | 3 | LOCK WASHE |
| 3 | 16100811  | 2 | NUT        |
| 4 | 355510820 | 3 | WASHER     |
| 5 | 323301850 | 1 | COVER      |
| 6 | 323300250 | 1 | PROFILE    |
| 7 | 322943950 | 1 | PROFILE    |
| 8 | 323319150 | 1 | BANDAGE    |

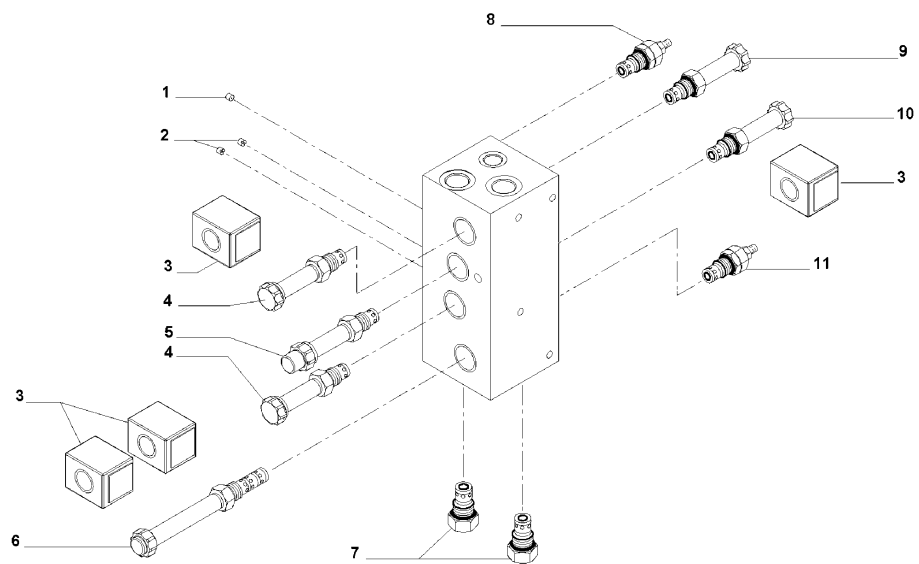
HYDRAULIC SYSTEM

28.0  
2\_2

VALVE-CHEST ELEMENTS

MTB "AL" AL quattro (55200001\_552000129)

28.02\_2



- |    |           |   |            |
|----|-----------|---|------------|
| 1  | 323267850 | 1 | PANEL      |
| 2  | 323163250 | 2 | VALVE      |
| 3  | 323109050 | 4 | COIL       |
| 4  | 323170850 | 2 | ELECTRO-VA |
| 5  | 323165650 | 1 | ELECTRO-VA |
| 6  | 322816450 | 1 | ELECTRO-VA |
| 7  | 323165950 | 2 | VALVE      |
| 8  | 323166050 | 1 | VALVE      |
| 9  | 322412850 | 1 | ELECTRO-VA |
| 10 | 322412850 | 1 | ELECTRO-VA |
| 11 | 323267950 | 1 | VALVE      |

HYDRAULIC SYSTEM

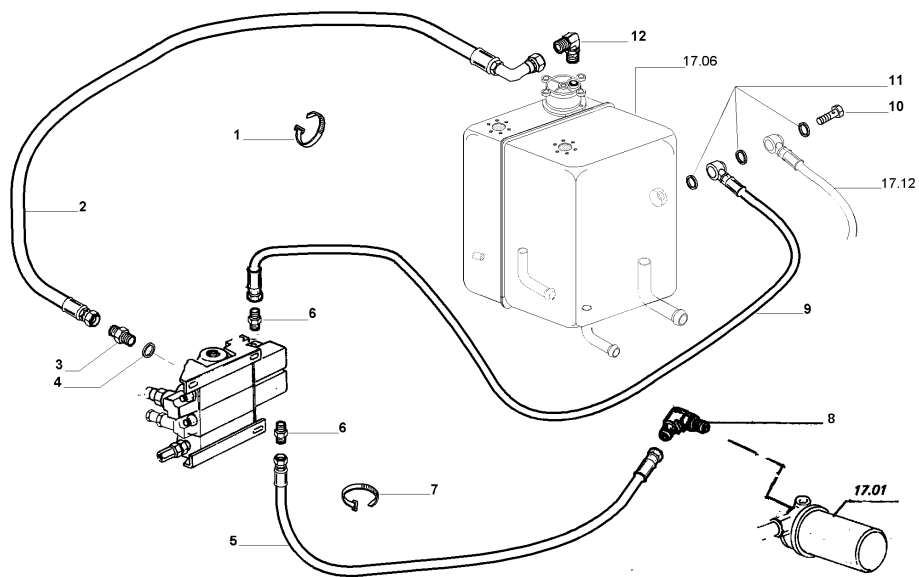
28.0  
8\_2

MACHINE LEVELLING SYSTEM

MTB "AL" AL quattro (55200001\_552000129)



28.08\_2



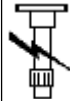
- |    |           |                    |   |        |
|----|-----------|--------------------|---|--------|
| 1  | 340481808 | ● 003404818090 (1) | 1 | CLAMP  |
| 2  | 322825650 |                    | 1 | PIPE   |
| 3  | 321142650 |                    | 1 | UNION  |
| 4  | 44019496  |                    | 1 | GASKET |
| 5  | 323060050 |                    | 1 | HOSE   |
| 6  | 322788600 |                    | 2 | UNION  |
| 7  | 340481806 |                    | 1 | CLAMP  |
| 8  | 322806850 |                    | 1 | UNION  |
| 9  | 322996450 |                    | 1 | HOSE   |
| 10 | 400853501 |                    | 1 | BOLT   |
| 11 | 410000794 |                    | 1 | WASHER |
| 12 | 322996650 |                    | 1 | UNION  |

reduced causeway

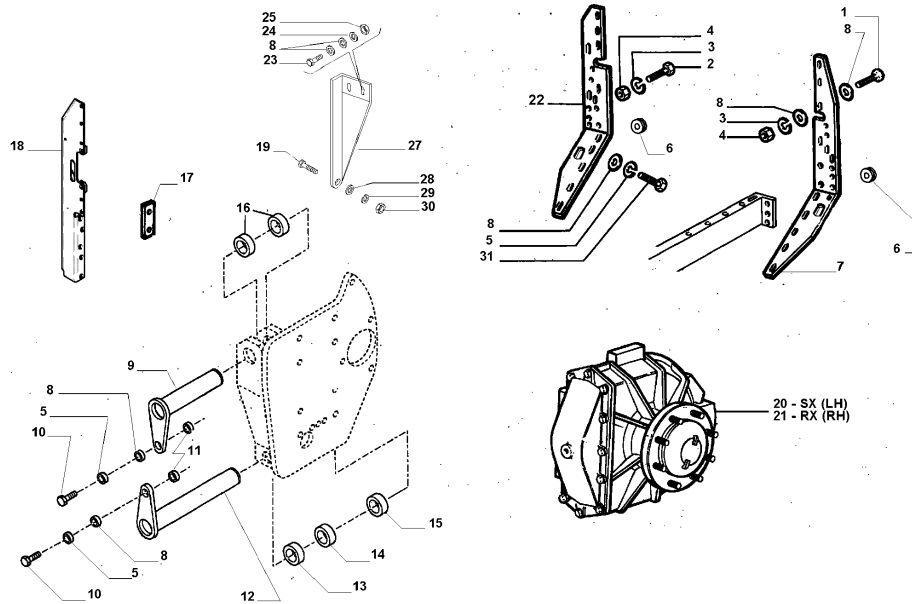
11.  
04\_1

FRONT AXLE (REDUCED WHEEL TRACK)

MTB "AL" AL quattro (55200001\_552000129)



\_11.04\_1



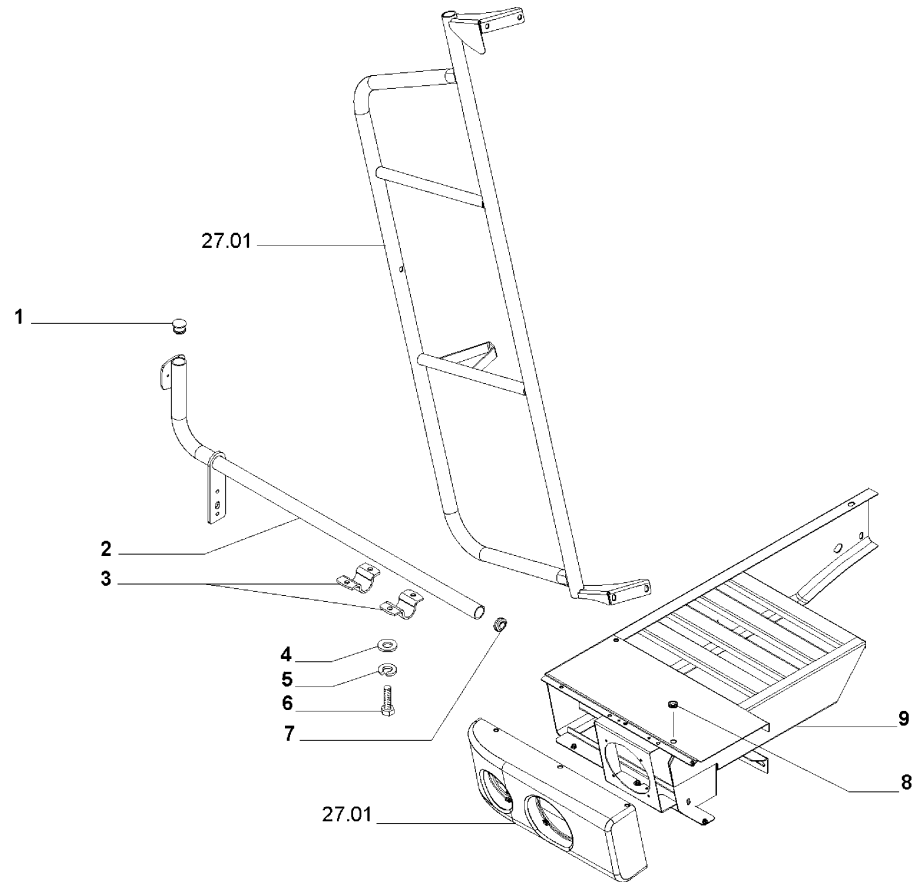
- |    |           |   |            |
|----|-----------|---|------------|
| 1  | 11106624  | 1 | SCREW      |
| 2  | 11106424  | 1 | SCREW      |
| 3  | 12034671  | 1 | LOCK WASHE |
| 4  | 11701721  | 1 | NUT        |
| 5  | 12034771  | 5 | LOCK WASHE |
| 6  | 301004831 | 1 | GROMMET    |
| 7  | 323029550 | 1 | PLATE      |
| 8  | 355530830 | 5 | WASHER     |
| 9  | 321733550 | 1 | PIN        |
| 10 | 11112421  | 2 | SCREW      |
| 11 | 321733450 | 2 | THIMBLE    |
| 12 | 321736850 | 1 | PIN        |
| 13 | 321731450 | 1 | WASHER     |
| 14 | 321731550 | 1 | WASHER     |
| 15 | 321731550 | 1 | WASHER     |
| 16 | 320552650 | 1 | SPACER     |
| 17 | 322519850 | 1 | SHIM       |
| 18 | 323280350 | 1 | REINFORCEM |
| 19 | 15988421  | 1 | SCREW      |
| 20 | 321739700 | 1 | GEAR REDUC |
| 21 | 321739800 | 1 | GEAR REDUC |
| 22 | 323029750 | 1 | PLATE      |
| 23 | 11255924  | 1 | SCREW      |
| 24 | 12035571  | 1 | LOCK WASHE |
| 25 | 12164021  | 1 | NUT        |
| 27 | 322924050 | 1 | PLATE RETA |
| 28 | 355502140 | 1 | WASHER     |
| 29 | 12035071  | 1 | LOCK WASHE |
| 30 | 10721121  | 1 | NUT        |
| 31 | 15540424  | 1 | SCREW      |

reduced causeway

27.  
04\_2

PLATFORM FOOTBOARDS (right)

MTB "AL" AL quattro (55200001\_552000129)



- 1 321454750
- 2 0032331715  
00
- 3 300114165
- 4 355510820
- 5 12034571
- 6 16043421
- 7 10397780
- 8 340481703
- 9 323200250

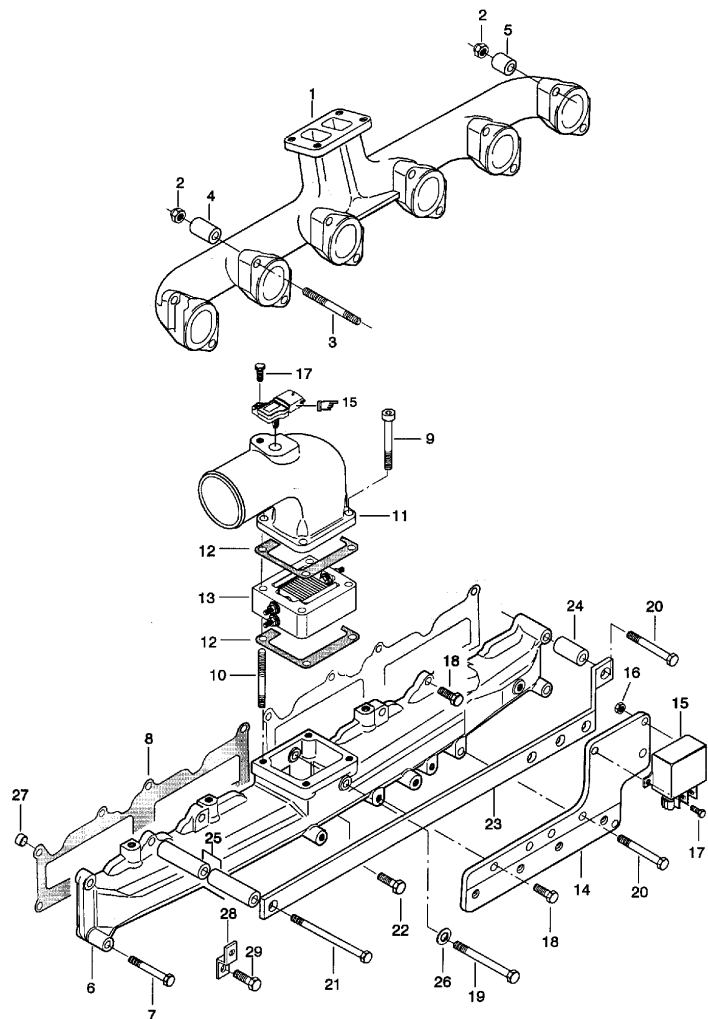
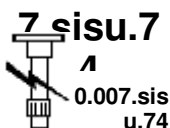
- 1 PLUG
- 1 SUPPORT
- 2 RETAINING
- 4 WASHER
- 4 LOCK WASHE
- 4 SCREW
- 1 RING
- 1 GROMMET
- 1 LANDING

SISU Diesel 74

0.00

MANIFOLD

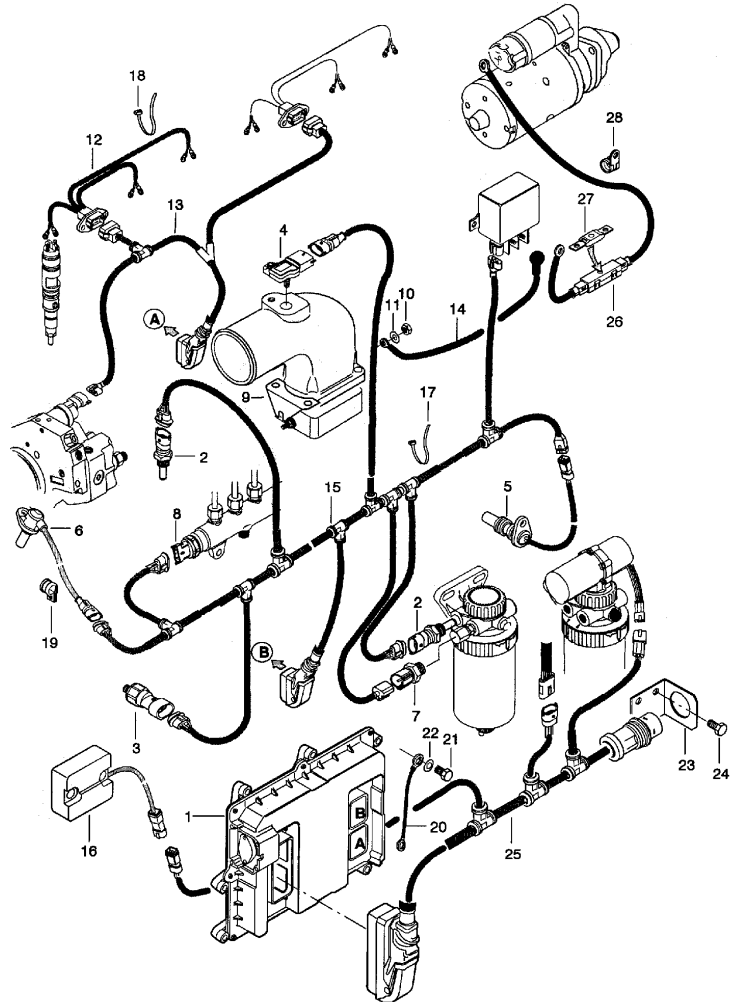
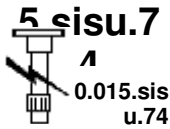
MTB "AL" AL quattro (55200001\_552000129)



- |    |           |    |          |
|----|-----------|----|----------|
| 1  | 836867065 | 1  | CONDUIT  |
| 2  | 513601002 | 12 | NUT      |
| 3  | 836859188 | 12 | STUD     |
| 4  | 836664013 | 10 | SLEEVE   |
| 5  | 836664012 | 2  | SLEEVE   |
| 6  | 837070219 | 1  | MANIFOLD |
| 7  | 529801470 | 2  | BOLT     |
| 8  | 837069009 | 2  | GASKET   |
| 9  | 581804702 | 4  | BOLT     |
| 10 | 546801490 | 2  | STUD     |
| 11 | 836867579 | 1  | PIPE     |
| 12 | 837067345 | 2  | GASKET   |
| 13 | 837067295 | 1  | HEATER   |
| 14 | 837069047 | 1  | SOLENOID |
| 15 | 510600602 | 2  | NUT      |
| 16 | 528801082 | 3  | BOLT     |
| 17 | 528801400 | 3  | BOLT     |
| 18 | 528801530 | 3  | BOLT     |
| 19 | 529801595 | 1  | BOLT     |
| 20 | 528801410 | 6  | BOLT     |
| 21 | 837070289 | 1  | SUPPORT  |
| 22 | 836652095 | 1  | SHIM     |
| 23 | 836759433 | 2  | SLEEVE   |
| 24 | 836015967 | 1  | GASKET   |
| 25 | 598355365 | 1  | PIN      |
| 26 | 836747849 | 2  | SUPPORT  |
| 27 | 528801360 | 2  | BOLT     |

● 003230417500 (1)

MTB "AL" AL quattro (55200001\_552000129)



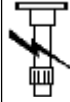
1	837069216	● 008370711890 (1)	1 ELECTRONIC
2	836667732		2 SENSOR
3	837070201		1 SENSOR
4	836666980	● 003230187500 (1)	1 SENSOR
5	837069150		1 SENSOR
6	837070189		1 SENSOR
7	837070209		1 PRESSURE S
8	837069410		1 SENSOR
9	837070130		1 EARTH WIRE
10	504600602		2 NUT
11	500050642		2 WASHER
12	837070048		2 SET OF CAB
13	837070049		1 SET OF CAB
14	837070055		1 SOCKET
15	837070050		1 SET OF CAB
16	837070198	● BAT09-07IT MTB (1)	1 ID-MODUL
17	651754720		5 CLAMP
18	651755320		10 CLAMP
19	602060610		2 CLAMP
20	837070292		1 EARTH WIRE
21	528801360		1 BOLT
22	500150842		1 WASHER
23	836866831		1 SUPPORT
24	528801340		1 BOLT
25	837070051		1 SET OF CAB
26	837070054		1 SOCKET
27	836864541		1 FUSE
28	602060612		2 CLAMP

STRAW WALKERS

21.0  
6\_2

PARTS FOR NORMALS SOILS page2

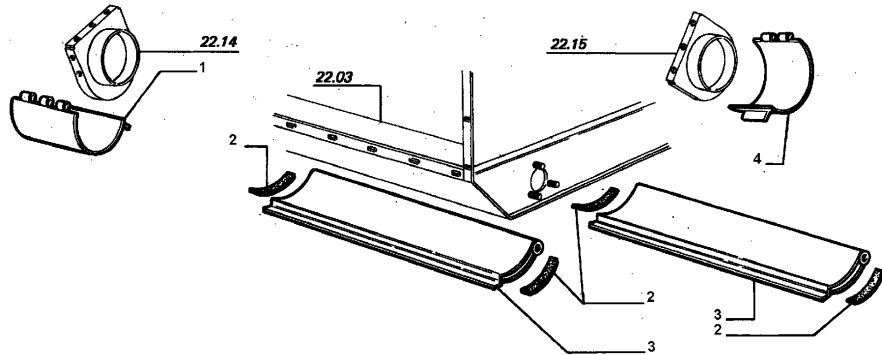
MTB "AL" AL quattro (552000001\_552000129)



21.06\_2

- 1 321850050
- 2 321843650
- 3 321841250
- 4 321826250

- 1 LID
- 4 GASKET
- 2 LID
- 1 LID

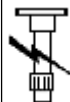


STRAW WALKERS

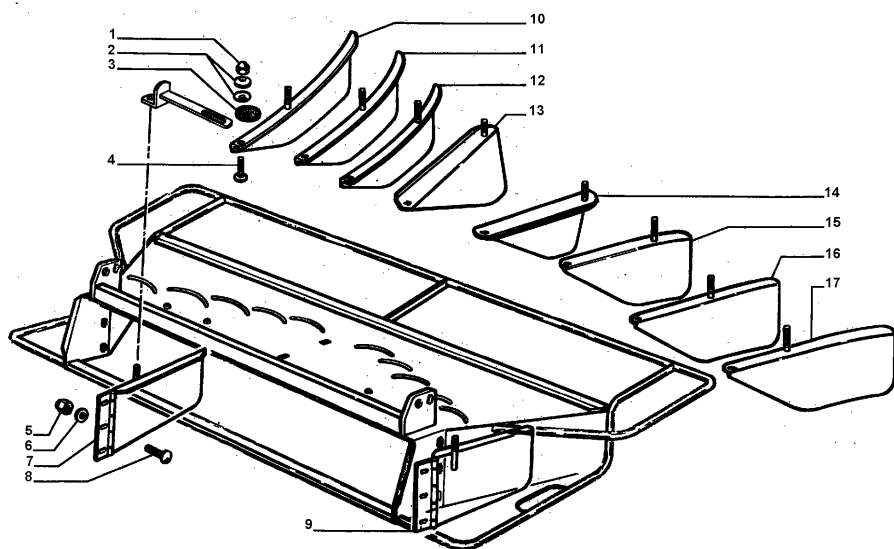
21.2  
4.15

STRAW CHOPPER-DEFLECTORS page 1

MTB "AL" AL quattro (552000001\_552000129)



21.24.15



- |    |           |                    |   |           |
|----|-----------|--------------------|---|-----------|
| 1  | 322218750 |                    | 1 | NUT       |
| 2  | 321365050 |                    | 1 | SPRING    |
| 3  | 322338450 |                    | 1 | DISC      |
| 4  | 350342512 |                    | 1 | SCREW     |
| 5  | 322218650 |                    | 1 | NUT       |
| 6  | 355510620 | ● 003555106150 (1) | 1 | WASHER    |
| 7  | 322258850 |                    | 1 | SHUNTER   |
| 8  | 366000614 |                    | 1 | SCREW     |
| 9  | 322258750 |                    | 1 | SHUNTER   |
| 10 | 322261550 |                    | 1 | DEFLECTOR |
| 11 | 322338550 |                    | 1 | DEFLECTOR |
| 12 | 322338650 |                    | 1 | DEFLECTOR |
| 13 | 322261150 |                    | 1 | DEFLECTOR |
| 14 | 322261050 |                    | 1 | DEFLECTOR |
| 15 | 322338750 |                    | 1 | DEFLECTOR |
| 16 | 322338850 |                    | 1 | DEFLECTOR |
| 17 | 322260950 |                    | 1 | DEFLECTOR |

STRAW WALKERS

21.2  
4.7

STRAW CHOPPER-SUPPORTS page 2

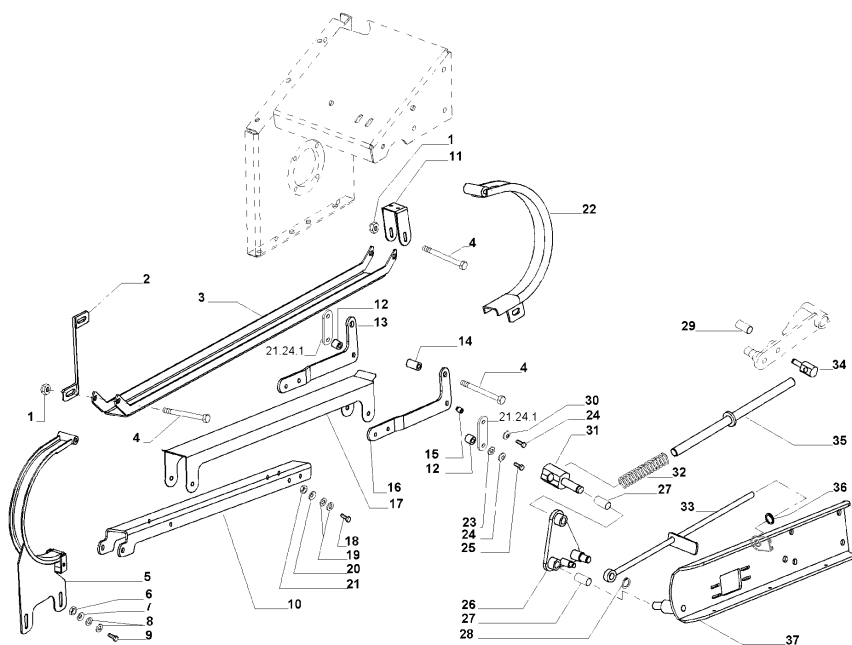
MTB "AL" AL quattro (55200001\_552000129)

21.24.7



- 34 322811450
- 35 322839650
- 36 340481703
- 37 322836050

- 1 BALL JOINT
- 1 TIE ROD
- 1 GROMMET
- 1 PROFILE



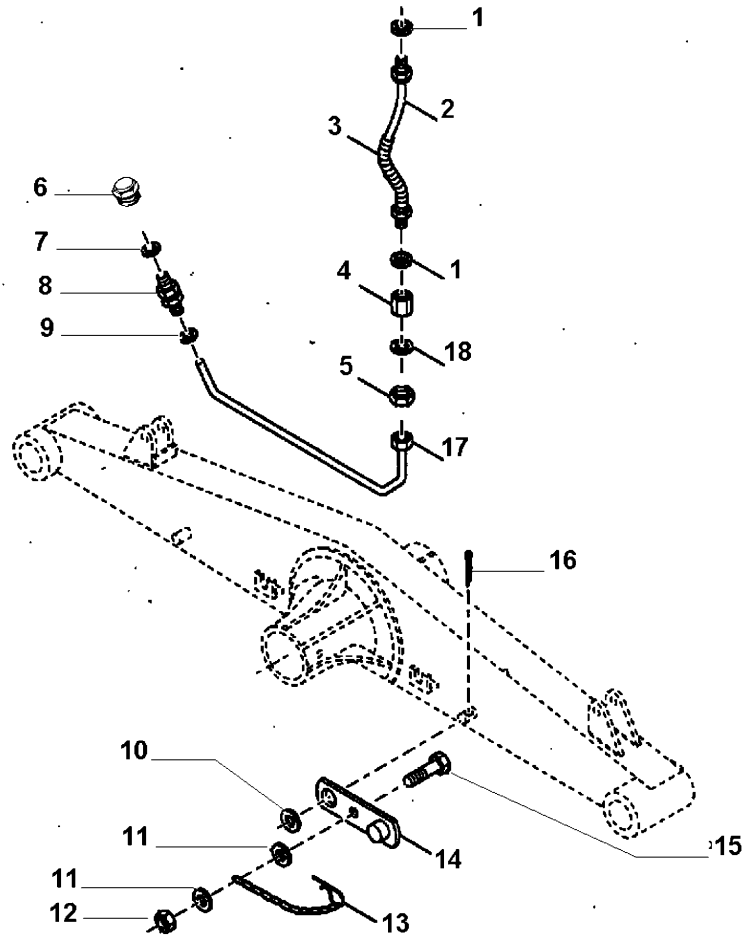
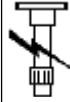
TRACTION

11.0  
3\_3

FRONT AXLE page3

MTB "AL" AL quattro (55200001\_552000129)

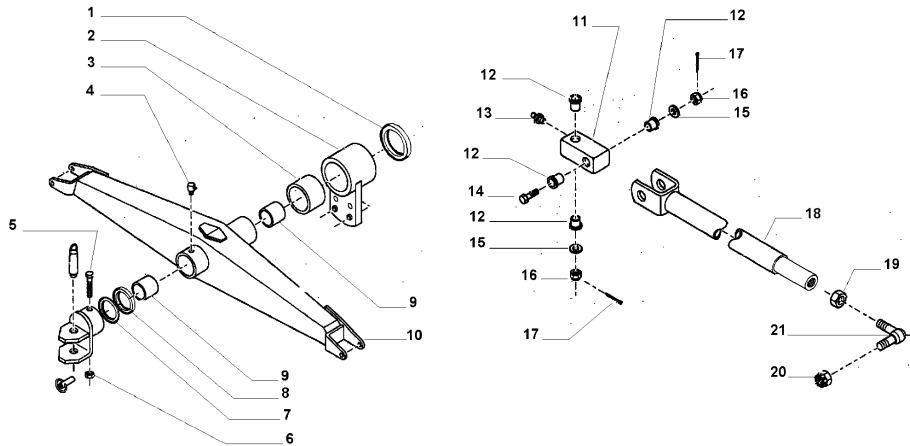
11.03\_3



- |    |           |                    |   |            |
|----|-----------|--------------------|---|------------|
| 1  | 355561430 |                    | 2 | WASHER     |
| 2  | 300129214 |                    | 1 | HOSE       |
| 3  | 321738950 |                    | 1 | SHEATH     |
| 4  | 320561550 |                    | 1 | UNION      |
| 5  | 10791311  |                    | 1 | NUT        |
| 6  | 320606950 |                    | 1 | PLUG       |
| 7  | 355501220 | ● 003555012300 (1) | 1 | WASHER     |
| 8  | 322405550 |                    | 1 | UNION      |
| 9  | 355501220 | ● 003555012300 (1) | 1 | WASHER     |
| 10 | 355502320 |                    | 1 | WASHER     |
| 11 | 355500730 |                    | 2 | WASHER     |
| 12 | 12574211  |                    | 1 | NUT        |
| 13 | 322366800 |                    | 1 | LATCH      |
| 14 | 321730350 |                    | 1 | ROD        |
| 15 | 10902621  |                    | 1 | SCREW      |
| 16 | 10735001  |                    | 1 | LINCH PIN  |
| 17 | 322406250 |                    | 1 | PIPE       |
| 18 | 12035571  |                    | 1 | LOCK WASHE |

MTB "AL" AL quattro (552000001\_552000129)

11.06\_3

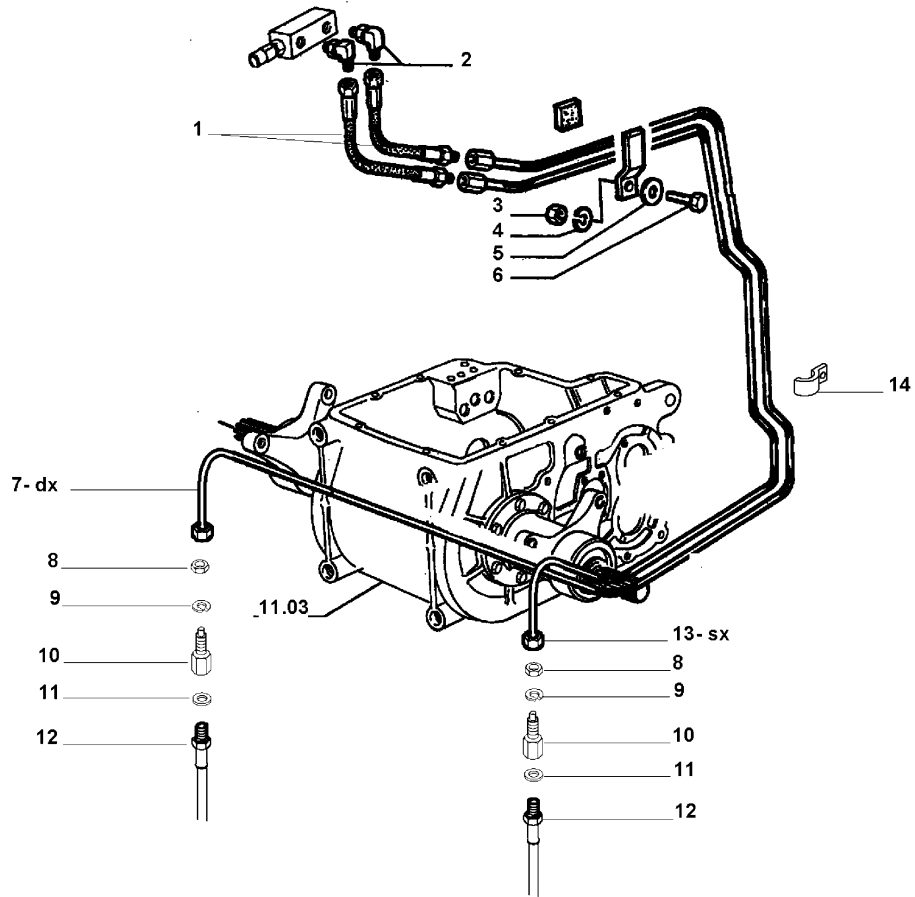
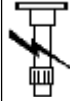


- |    |           |   |            |
|----|-----------|---|------------|
| 1  | 322863650 | 1 | WASHER     |
| 2  | 322854250 | 1 | LEVER      |
| 3  | 321733750 | 1 | BEARING    |
| 4  | 350357803 | 1 | NIPPLE, LU |
| 5  | 15990531  | 1 | SCREW      |
| 6  | 12575111  | 1 | NUT        |
| 7  | 321302050 | 1 | WASHER     |
| 8  | 321937450 | 1 | RING       |
| 9  | 322202250 | 2 | BUSH       |
| 10 | 322853450 | 1 | FINGER BAR |
| 11 | 321736150 | 1 | BALL JOINT |
| 12 | 322320550 | 4 | BUSH       |
| 13 | 350357805 | 1 | NIPPLE, LU |
| 14 | 322875850 | 1 | PIN        |
| 15 | 355502140 | 1 | WASHER     |
| 16 | 10724720  | 1 | NUT        |
| 17 | 10733701  | 1 | LINCH PIN  |
| 18 | 322936350 | 1 | BAR        |
| 19 | 10726914  | 1 | NUT        |
| 20 | 322517300 | 1 | BALL JOINT |
| 21 | 13680511  | 1 | NUT        |

● 000107269110 (1)

MTB "AL" AL quattro (552000001\_552000129)

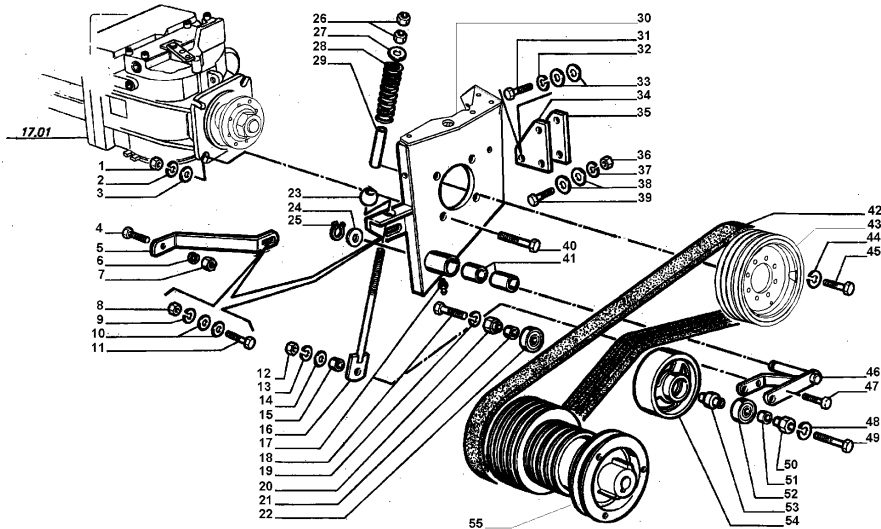
11.18\_2



- |    |           |                    |   |            |
|----|-----------|--------------------|---|------------|
| 1  | 321920850 |                    | 1 | HOSE       |
| 2  | 320832000 | ● 003218965500 (1) | 1 | UNION      |
| 3  | 15896221  |                    | 1 | NUT        |
| 4  | 12035670  | ● 000120356710 (1) | 1 | LOCK WASHE |
| 5  | 355510620 | ● 003555106150 (1) | 1 | WASHER     |
| 6  | 10902224  |                    | 1 | SCREW      |
| 7  | 323026850 |                    | 1 | BRAKE LINE |
| 8  | 10791321  |                    | 2 | NUT        |
| 9  | 12035571  |                    | 2 | LOCK WASHE |
| 10 | 320561550 |                    | 2 | UNION      |
| 11 | 355561430 |                    | 2 | WASHER     |
| 12 | 300129214 |                    | 2 | HOSE       |
| 13 | 323026950 |                    | 1 | BRAKE LINE |
| 14 | 301592731 |                    | 1 | CLAW       |

MTB "AL" AL quattro (55200001\_552000129)

17.02\_1



- |    |           |   |            |
|----|-----------|---|------------|
| 1  | 10790421  | 1 | NUT        |
| 2  | 12035571  | 1 | LOCK WASHE |
| 3  | 355501550 | 1 | WASHER     |
| 4  | 11112821  | 1 | SCREW      |
| 5  | 323003650 | 1 | STRUT      |
| 6  | 12034771  | 1 | LOCK WASHE |
| 7  | 11702921  | 1 | NUT        |
| 8  | 11702921  | 1 | NUT        |
| 9  | 12034771  | 1 | LOCK WASHE |
| 10 | 355501330 | 1 | WASHER     |
| 11 | 11112821  | 1 | SCREW      |
| 12 | 11702921  | 1 | NUT        |
| 13 | 12034771  | 1 | LOCK WASHE |
| 14 | 355501320 | 1 | WASHER     |
| 15 | 344158149 | 1 | BUSH       |
| 16 | 322071250 | 1 | TIE-ROD    |
| 17 | 350357851 | 1 | NIPPLE, LU |
| 18 | 15540521  | 1 | SCREW      |
| 19 | 12034771  | 1 | LOCK WASHE |
| 20 | 300134396 | 1 | BUSH       |
| 21 | 340415104 | 1 | BUSH       |
| 22 | 322638450 | 1 | BEARING    |
| 23 | 300015644 | 1 | TRACK ROD  |
| 24 | 355536410 | 1 | WASHER     |
| 25 | 11067376  | 1 | SPRING LOC |
| 26 | 12163211  | 1 | NUT        |
| 27 | 355531830 | 1 | WASHER     |
| 28 | 350356256 | 1 | SPRING     |
| 29 | 322071350 | 1 | BUSH       |
| 30 | 322939050 | 1 | SUPPORT    |
| 31 | 11107221  | 1 | SCREW      |
| 32 | 12034671  | 1 | LOCK WASHE |
| 33 | 355511040 | 1 | WASHER     |
| 34 | 321946150 | 1 | SHIM       |

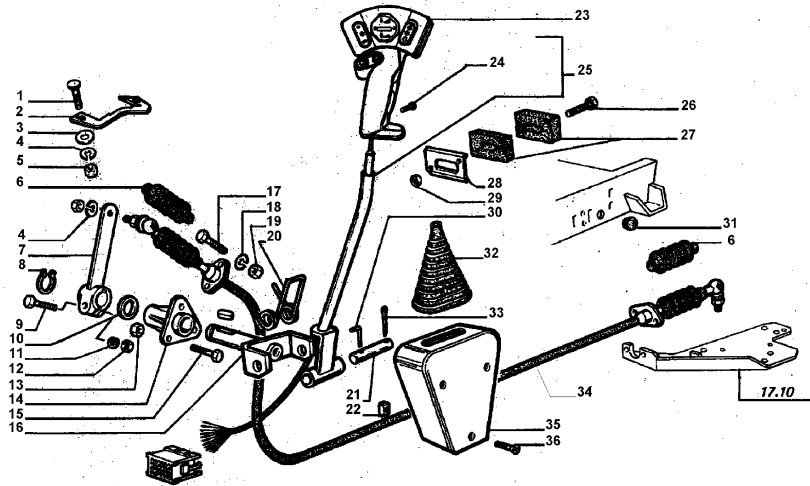
TRACTION

17.1  
1\_1

MULTIFUNCTIONS LEVER FOR HYDROSTATIC TRACTION

MTB "AL" AL quattro (55200001\_552000129)

17.11\_1



- |    |           |   |            |
|----|-----------|---|------------|
| 1  | 350342512 | 1 | SCREW      |
| 2  | 322036450 | 1 | SECTOR     |
| 3  | 355500920 | 1 | WASHER     |
| 4  | 12034571  | 1 | LOCK WASHE |
| 5  | 16100811  | 1 | NUT        |
| 6  | 300139049 | 1 | SLEEVE     |
| 7  | 322127750 | 1 | LEVER      |
| 8  | 11067476  | 1 | SPRING LOC |
| 9  | 11107321  | 1 | SCREW      |
| 10 | 355536704 | 1 | WASHER     |
| 11 | 12034671  | 1 | LOCK WASHE |
| 12 | 11701721  | 1 | NUT        |
| 13 | 16104111  | 1 | NUT        |
| 14 | 322090050 | 1 | SUPPORT    |
| 15 | 16043824  | 1 | SCREW      |
| 16 | 321980250 | 1 | PIN        |
| 17 | 10902224  | 1 | SCREW      |
| 18 | 12035670  | 1 | LOCK WASHE |
| 19 | 15896221  | 1 | NUT        |
| 20 | 350356935 | 1 | SPRING     |
| 21 | 321395750 | 1 | DOWEL      |
| 22 | 321284450 | 1 | NUT        |
| 23 | 322908700 | 1 | HANDLE GRI |
| 24 | 14418921  | 1 | SCREW      |
| 25 | 322657950 | 1 | LEVER      |
| 26 | 10902621  | 1 | SCREW      |
| 27 | 322057150 | 1 | GASKET     |
| 28 | 322057250 | 1 | STRAP      |
| 29 | 12574211  | 1 | NUT        |
| 30 | 300136233 | 1 | DOWEL      |
| 31 | 350359452 | 1 | PLUG       |
| 32 | 322134350 | 1 | BELLOWS    |
| 33 | 10797001  | 1 | LINCH PIN  |

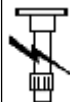
● 000120356710 (1)

VARIATIONS

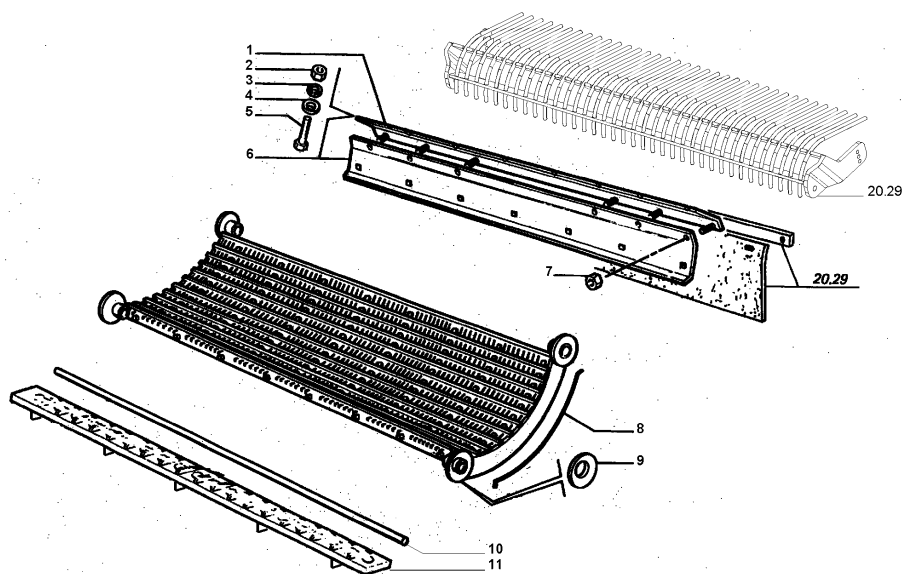
100  
- 264

RASP-BAR CONCAVE

MTB "AL" AL quattro (552000001\_552000129)



100264



- 1 322060750
- 2 321211250
- 3 12034571
- 4 355510820
- 5 16043424
- 6 322060850
- 7 16104111
- 8 300132830
- 9 322622850
- 10 322792950
- 11 322792550

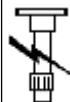
- 1 PLATE
- 6 NUT
- 6 LOCK WASHE
- 6 WASHER
- 6 SCREW
- 1 PROFILE
- 6 NUT
- 1 WIRE, RETA
- 2 WASHER
- 1 TIE-ROD
- 1 BAR

VARIATIONS

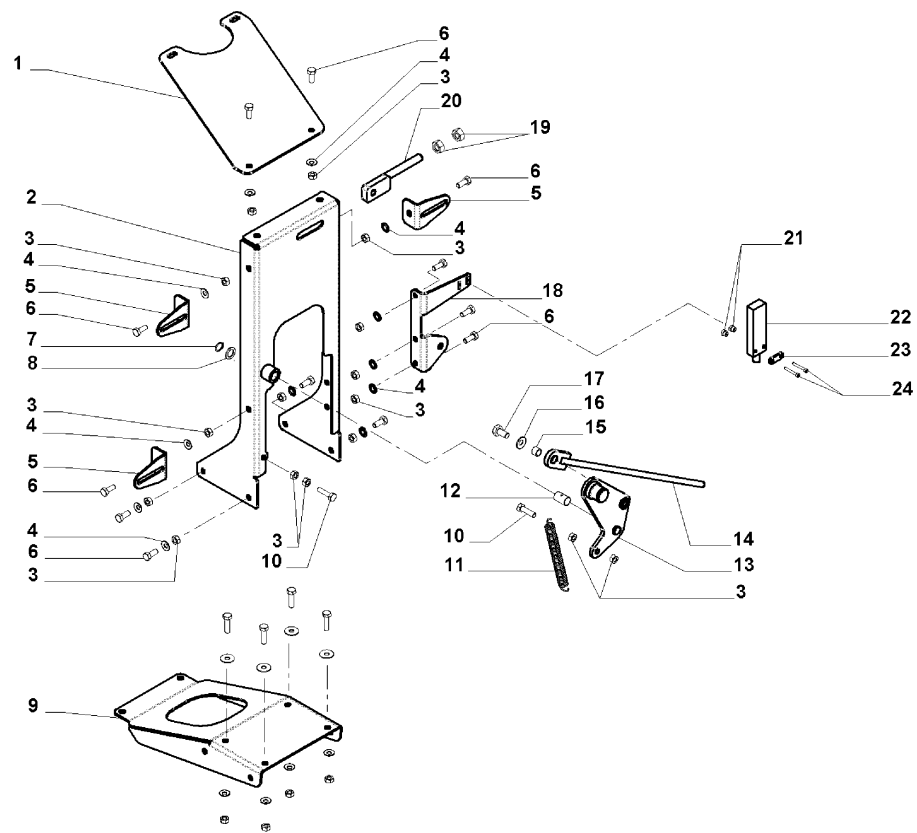
100  
- 739\_4

COMPRESSE AIR RECEIV pag 4

MTB "AL" AL quattro (55200001\_552000129)




100739  
4



- |    |           |   |            |
|----|-----------|---|------------|
| 1  | 323211050 | 1 | PLATE      |
| 2  | 323210950 | 1 | PLATE      |
| 3  | 16100811  | 7 | NUT        |
| 4  | 322358    | 6 | WASHER     |
| 5  | 323212750 | 3 | SUPPORT    |
| 6  | 16043421  | 3 | SCREW      |
| 7  | 11066276  | 1 | SPRING LOC |
| 8  | 355531220 | 1 | WASHER     |
| 9  | 323210850 | 1 | PLATE      |
| 10 | 16043821  | 2 | SCREW      |
| 11 | 350356510 | 1 | SPRING     |
| 12 | 322878750 | 1 | BEARING    |
| 13 | 323211450 | 1 | COUNTER WE |
| 14 | 323211350 | 1 | TIE ROD    |
| 15 | 340415508 | 1 | BUSH       |
| 16 | 140045    | 1 | WASHER     |
| 17 | 11106021  | 1 | SCREW      |
| 18 | 323211250 | 1 | SQUARE     |
| 19 | 11702911  | 1 | NUT        |
| 20 | 323211650 | 1 | TIE ROD    |
| 21 | 323153250 | 2 | BUSH       |
| 22 | 322864200 | 1 | SWITCH     |
| 23 | 323070850 | 1 | RETAINING  |
| 24 | 14303324  | 2 | SCREW      |

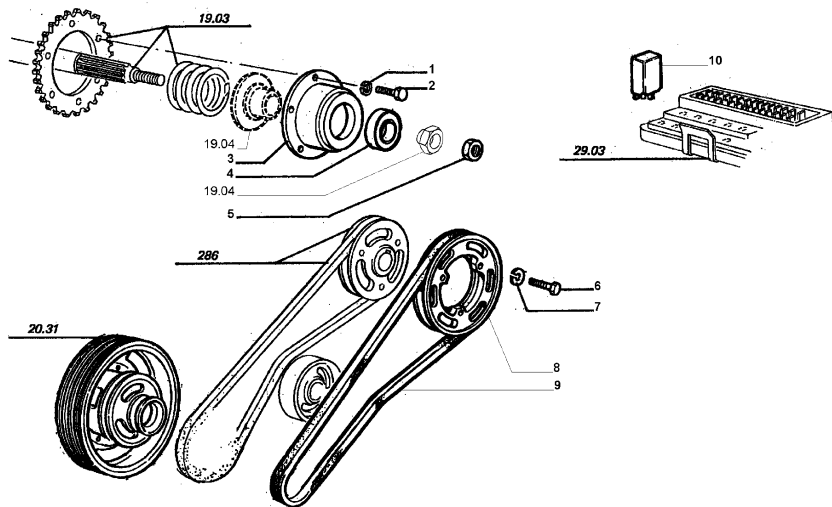
VARIATIONS

100  
-  
905.2\_1  
 100905.2  
\_1

SPEED REDUCTION

MTB "AL" AL quattro (552000001\_552000129)

- |    |           |   |            |
|----|-----------|---|------------|
| 1  | 12034671  | 1 | LOCK WASHE |
| 2  | 11106624  | 1 | SCREW      |
| 3  | 322652150 | 1 | SUPPORT    |
| 4  | 28996540  | 1 | BEARING    |
| 5  | 10726711  | 1 | NUT        |
| 6  | 16043824  | 1 | SCREW      |
| 7  | 12034571  | 1 | LOCK WASHE |
| 8  | 322869450 | 1 | PULLEY     |
| 9  | 340433476 | 1 | BELT       |
| 10 | 322876900 | 1 | WARNING DE |



CLICK HERE TO **DOWNLOAD** THE COMPLETE MANUAL

- Thank you very much for reading the preview of the manual.
- You can download the complete manual from: [www.heydownloads.com](http://www.heydownloads.com) by clicking the link below



- Please note: If there is no response to CLICKING the link, please download this PDF first and then click on it.

CLICK HERE TO **DOWNLOAD** THE COMPLETE MANUAL