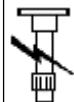
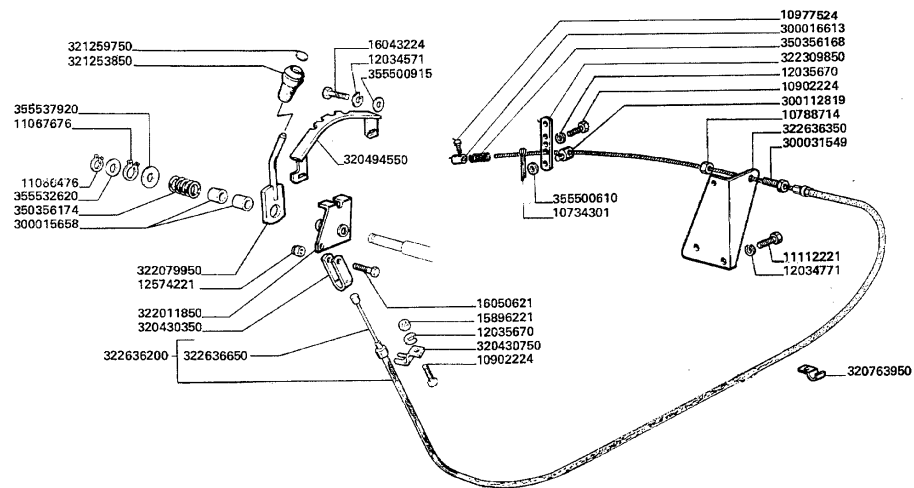


Drive's platform

MTB "3000" 3560 AL



ENGINE THROTTLE



- | | | |
|-----------|--------------------|--------------|
| 10734301 | | 1 LINCH PIN |
| 10788714 | | 1 NUT |
| 10902224 | | 3 SCREW |
| 10977524 | | 2 SCREW |
| 11066476 | | 1 SPRING LOC |
| 11067676 | | 1 SPRING LOC |
| 11112221 | | 2 SCREW |
| 12034571 | | 2 LOCK WASHE |
| 12034771 | | 2 LOCK WASHE |
| 12035670 | ● 000120356710 (3) | 3 LOCK WASHE |
| 12574221 | | 1 NUT |
| 15896221 | | 1 NUT |
| 16043224 | | 2 SCREW |
| 16050621 | | 1 SCREW |
| 300015658 | | 2 BUSH |
| 300016613 | | 1 CONNECTOR |
| 300031549 | | 1 SCREW |
| 300112819 | | 1 SUPPORT |
| 320430350 | | 1 BRIDLE |
| 320430750 | | 1 BRACKET, S |
| 320763950 | | 5 CLAW |
| 321253850 | | 1 HANDLE GRI |
| 321259750 | | 1 PLUG |
| 322011850 | | 1 SUPPORT |
| 322079950 | | 1 LEVER |
| 322094550 | | 1 SECTOR |
| 322309850 | | 1 LEVER |
| 322636200 | | 1 CABLE |
| 322636350 | | 1 SUPPORT |
| 322636650 | | 1 THROTTLE |
| 350356168 | | 1 SPRING |
| 350356174 | | 1 SPRING |
| 355500610 | ● 003555006150 (1) | 1 WASHER |

CLICK HERE TO **DOWNLOAD** THE COMPLETE MANUAL

- Thank you very much for reading the preview of the manual.
- You can download the complete manual from: www.heydownloads.com by clicking the link below

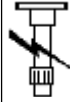


- Please note: If there is no response to CLICKING the link, please download this PDF first and then click on it.

CLICK HERE TO **DOWNLOAD** THE COMPLETE MANUAL

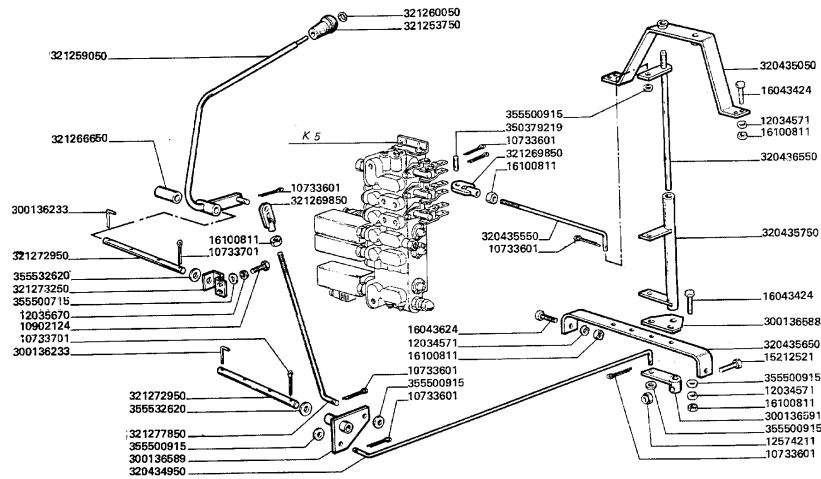
Drive's platform

MTB "3000" 3560 AL



UNLOADING TUBE CONTROL

C

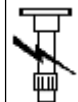


C 4546 aut. ← n.

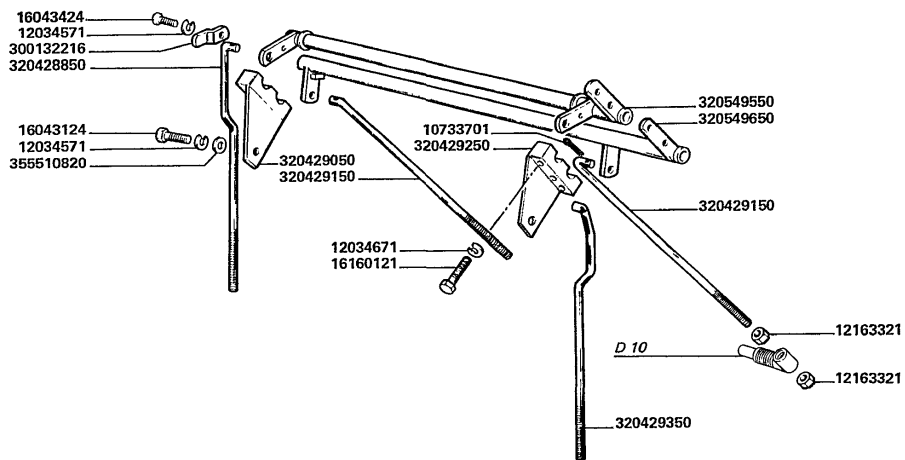
- | | | |
|-----------|--------------------|--------------|
| 10733601 | | 6 LINCH PIN |
| 10733701 | | 2 LINCH PIN |
| 10902124 | | 2 SCREW |
| 12034571 | | 8 LOCK WASHE |
| 12035670 | ● 000120356710 (2) | 2 LOCK WASHE |
| 12574211 | | 1 NUT |
| 15212521 | | 1 SCREW |
| 16043424 | | 6 SCREW |
| 16043624 | | 2 SCREW |
| 16100811 | | 10 NUT |
| 300136233 | | 2 DOWEL |
| 300136588 | | 1 SUPPORT |
| 300136589 | | 1 COUNTER WE |
| 300136591 | | 1 LEVER |
| 320434950 | | 1 TIE ROD |
| 320435050 | | 1 SUPPORT |
| 320435550 | | 1 TIE ROD |
| 320435650 | | 1 SUPPORT |
| 320435750 | | 1 COUNTER WE |
| 320436550 | | 1 PIN |
| 321253750 | | 1 HANDLE GRI |
| 321259050 | | 1 LEVER LEAD |
| 321260050 | | 1 PLUG |
| 321266650 | | 1 BUSH |
| 321269850 | | 2 END TIE RO |
| 321272950 | | 2 PIVOT |
| 321273250 | | 1 SUPPORT |
| 321277850 | | 1 TIE ROD |
| 350379219 | | 1 DOWEL |
| 355500715 | | 2 WASHER |
| 355500915 | | 7 WASHER |
| 355532620 | | 2 WASHER |

Drive's platform

CONCAVE CONTROL DRIVE page2



MTB "3000" 3560 AL

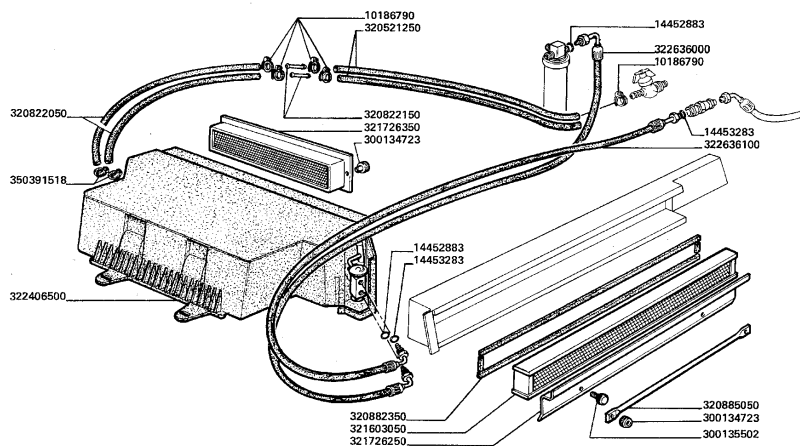


- | | |
|-----------|---------------|
| 10733701 | 2 LINCH PIN |
| 12034571 | 6 LOCK WASHE |
| 12034671 | 10 LOCK WASHE |
| 12163321 | 8 NUT |
| 16043124 | 2 SCREW |
| 16043424 | 3 SCREW |
| 16160121 | 6 SCREW |
| 300132216 | 2 RETAINER |
| 320428850 | 1 TIE ROD |
| 320429050 | 1 SUPPORT |
| 320429150 | 2 TIE ROD |
| 320429250 | 1 SUPPORT |
| 320429350 | 1 TIE ROD |
| 320549550 | 1 SHAFT |
| 320549650 | 1 SHAFT |
| 355510820 | 3 WASHER |

Drive's platform

CABINE ELEMENTS (conditioned) Page 6

MTB "3000" 3560 AL

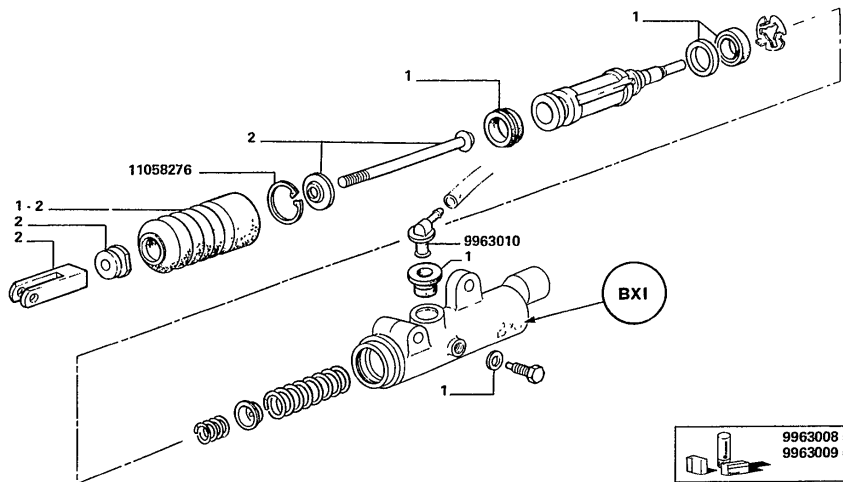


- | | |
|-----------|--------------|
| 10186790 | 5 COLLAR |
| 14452883 | 2 O-RING |
| 14453283 | 2 O-RING |
| 300134723 | 4 KNOB |
| 300135502 | 2 KNOB |
| 320521250 | 2 PIPE |
| 320822050 | 2 HOSE |
| 320822150 | 2 STANDPIPE |
| 320822350 | 1 EXTRUSION |
| 320885050 | 1 ROD |
| 321603050 | 1 ELEMENT, A |
| 321726350 | 1 ELEMENT, A |
| 322406500 | 1 AIR CONDIT |
| 322636000 | 1 HOSE |
| 322636100 | 1 HOSE |
| 350391518 | 2 COLLAR |

Drive's platform

BRAKE PUMP ELEMENTS (322584900)

MTB "3000" 3560 AL



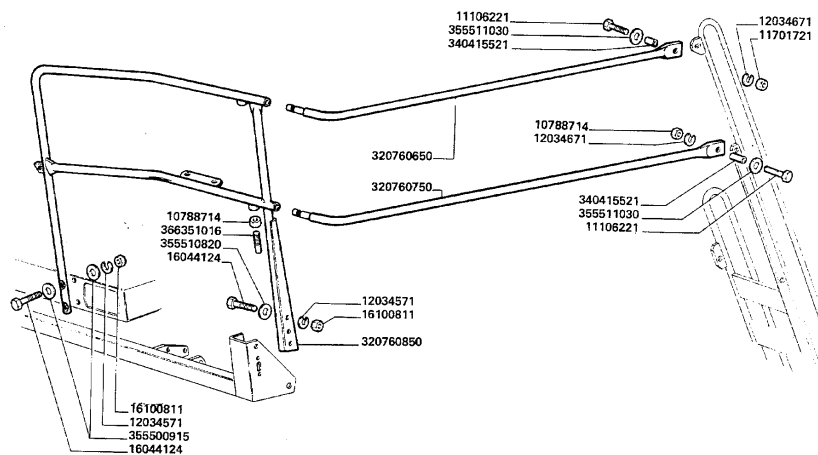
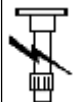
11058276
9963008
9963009
9963010

1 SPRING LOC
1 KIT, MISC
1 KIT, MISC
1 UNION

Drive's platform

GUARDRAIL FOR LEDDER (REDUCED WHEEL TRAC)

MTB "3000" 3560 AL

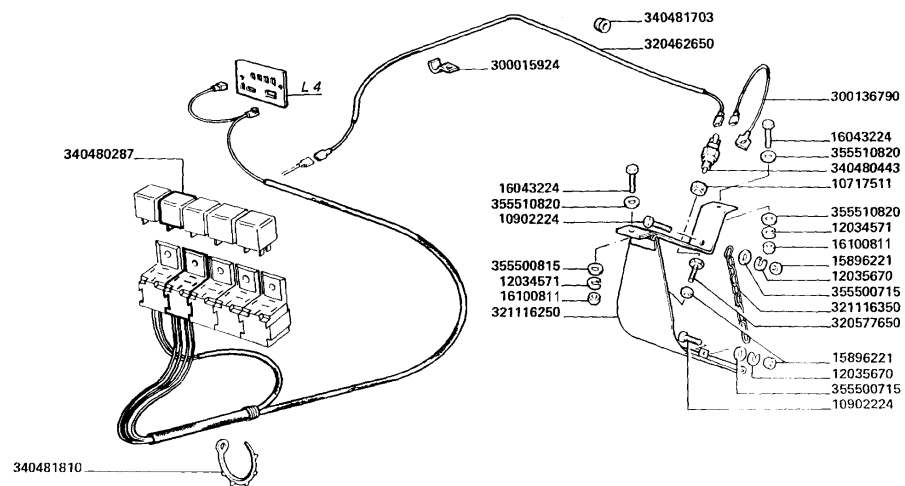
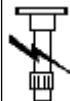


- | | |
|-----------|--------------|
| 10788714 | 2 NUT |
| 11106221 | 2 SCREW |
| 11701721 | 2 NUT |
| 12034571 | 5 LOCK WASHE |
| 12034671 | 2 LOCK WASHE |
| 16044124 | 5 SCREW |
| 16100811 | 5 NUT |
| 320760650 | 1 SHIELD |
| 320760750 | 1 SHIELD |
| 320760850 | 1 SHIELD |
| 340415521 | 2 BUSH |
| 355500915 | 2 WASHER |
| 355510820 | 5 WASHER |
| 355511030 | 2 WASHER |
| 366351016 | 2 SCREW |

Eletric system

STRAW WALKER CLOGGING WARNING DEVICE

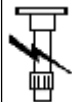
MTB "3000" 3560 AL



- 10717511
 - 10902224
 - 12034571
 - 12035670
 - 15896221
 - 16043224
 - 16100811
 - 300015924
 - 300136790
 - 320462650
 - 320577650
 - 321116250
 - 321116350
 - 340480287
 - 340480443
 - 340481703
 - 340481810
 - 355500715
 - 355500815
 - 355510820
- 1 NUT
 - 2 SCREW
 - 4 LOCK WASHE
 - 2 LOCK WASHE
 - 3 NUT
 - 4 SCREW
 - 4 NUT
 - 2 CLAW
 - 1 EARTH WIRE
 - 1 WIRE/CABLE
 - 1 REGULATOR,
 - 1 SUPPORT
 - 1 CHAIN
 - 1 RELAIS SWI
 - 1 BUTTON
 - 2 GROMMET
 - 5 CLAMP
 - 2 WASHER
 - 1 WASHER
 - 7 WASHER
- 000120356710 (2)

Eletric system

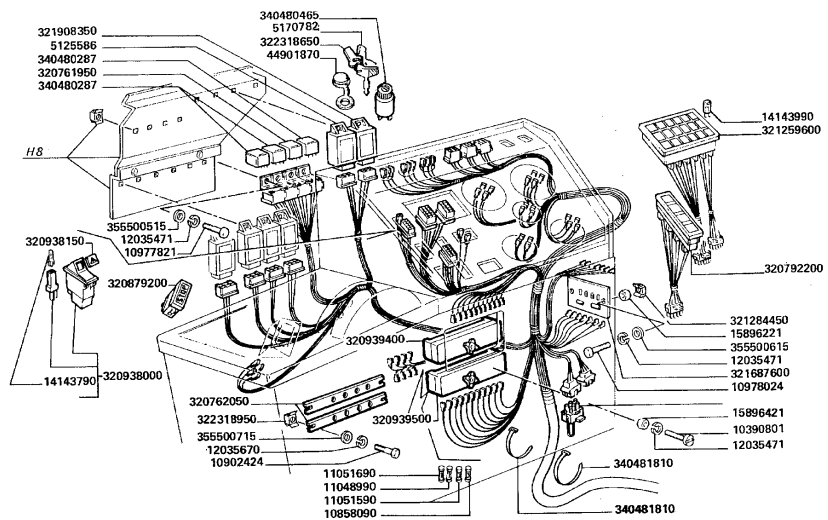
MTB "3000" 3560 AL



ELETRIC CONTROLS

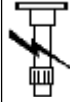
355500515
 355500615
 355500715
 44901870
 5154278
 5170782

6 WASHER
 2 WASHER
 4 WASHER
 1 PROTECTION
 1 FLASHER,12
 2 KEY

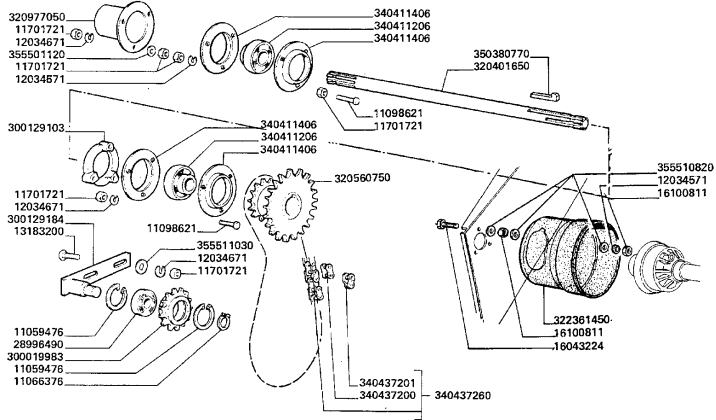


Elevator

MTB "3000" 3560 AL



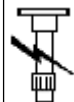
LOWER SHAFT



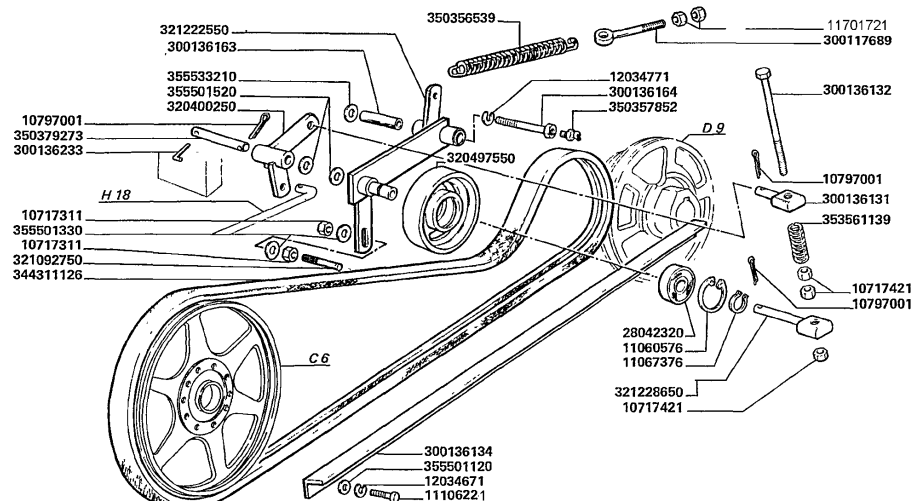
- | | | | |
|-----------|--------------------|----|------------|
| 10902224 | | 4 | SCREW |
| 11059476 | | 2 | SPRING LOC |
| 11066376 | | 1 | SPRING LOC |
| 11098621 | | 6 | SCREW |
| 11701721 | | 17 | NUT |
| 12034571 | | 6 | LOCK WASHE |
| 12034671 | | 14 | LOCK WASHE |
| 12035670 | ● 000120356710 (4) | 4 | LOCK WASHE |
| 13183200 | ● 000131832010 (2) | 2 | SCREW |
| 15896221 | | 5 | NUT |
| 16043224 | | 3 | SCREW |
| 16100811 | | 7 | NUT |
| 16102311 | | 1 | NUT |
| 28996490 | | 1 | BEARING |
| 300019983 | | 1 | CHAIN ADJU |
| 300129103 | | 1 | SPACER |
| 300129184 | | 1 | SUPPORT |
| 320401650 | | 1 | SHAFT |
| 320560750 | | 1 | GEAR |
| 320977050 | | 1 | PROTECTION |
| 322316750 | | 1 | LOCK |
| 322361450 | | 1 | SHIELD |
| 340411206 | | 2 | BEARING |
| 340411406 | | 4 | FLANGE COU |
| 340437200 | ● 003278401250 (1) | 1 | CONNECTING |
| 340437201 | ● 003278401290 (1) | 1 | PLATE |
| 340437260 | | 1 | CHAIN ASA |
| 350342511 | | 2 | SCREW |
| 350342512 | | 1 | SCREW |
| 350380770 | | 1 | KEY |

Elevator

TRANSMISSIONS

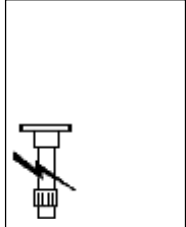


MTB "3000" 3560 AL



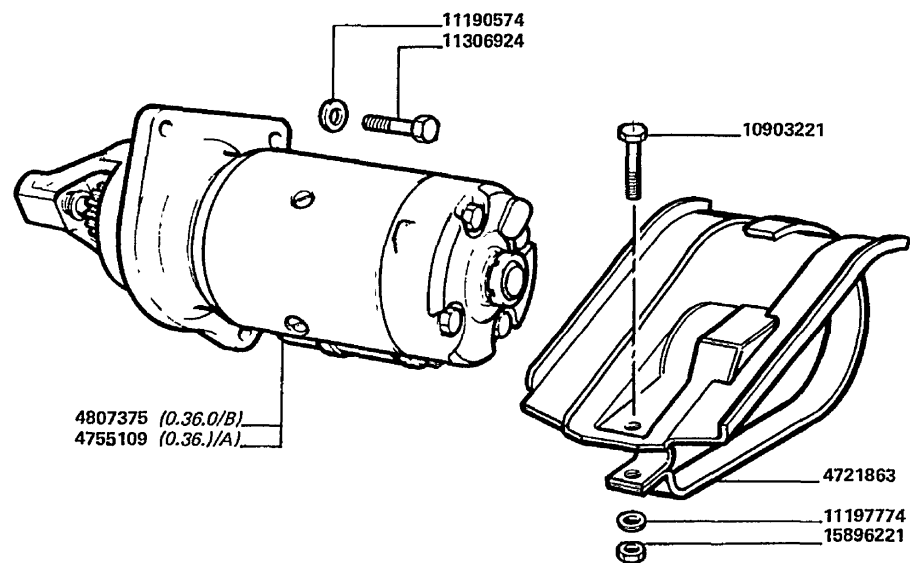
- 10717311
- 10717421
- 10797001
- 11060576
- 11106221
- 11701721
- 12034671
- 12034771
- 28042320
- 300117689
- 300136131
- 300136132
- 300136134
- 300136163
- 300136164
- 300136233
- 320400250
- 320497550
- 321092750
- 321222550
- 321228650
- 344311126
- 350356539
- 350357852
- 350379273
- 353561139
- 355501120
- 355501330
- 355501520
- 355533210
- 2 NUT
- 3 NUT
- 3 LINCH PIN
- 1 SPRING LOC
- 2 SCREW
- 2 NUT
- 2 LOCK WASHE
- 2 LOCK WASHE
- 1 BEARING
- 1 TIE ROD
- 1 BALL JOINT
- 1 TIE ROD
- 1 SKATE
- 1 BUSH
- 1 SCREW
- 1 DOWEL
- 1 COUNTER WE
- 1 TENSIONER,
- 1 PIN
- 1 ARM
- 1 BALL JOINT
- 1 BELT
- 1 SPRING
- 1 NIPPLE, LU
- 1 DOWEL
- 1 SPRING
- 2 WASHER
- 2 WASHER
- 2 WASHER
- 2 WASHER

Engine



STARTER

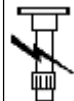
MTB "3000" 3560 AL



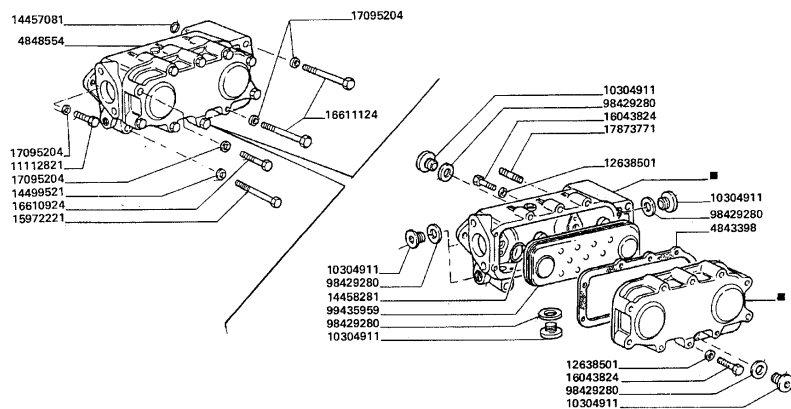
- | | | | |
|----------|--------------------|---|------------|
| 10903221 | | 1 | SCREW |
| 11190574 | | 3 | LOCK WASHE |
| 11197774 | | 1 | LOCK WASHE |
| 11306924 | | 3 | SCREW |
| 15896221 | | 1 | NUT |
| 4721863 | | 1 | GUARD |
| 4755109 | ● 005040592510 (1) | 1 | ELECTRIC M |

Engine

HEAT EXCHANGER



MTB "3000" 3560 AL

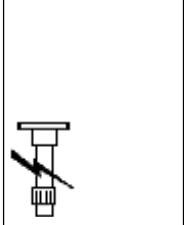


I PARTICOLARI CONTRASSEGNA TI CON ■ NON VENGONO FORNITI DI RICAMBIO
 PARTS MARKED ■ ARE NOT SUPPLIED AS SPARES

- | | |
|----------|---------------|
| 10304911 | 6 PLUG |
| 11112821 | 1 SCREW |
| 12638501 | 13 LOCK WASHE |
| 14457081 | 3 O-RING |
| 14458281 | 2 O-RING |
| 14499521 | 1 LOCK WASHE |
| 15972221 | 1 SCREW |
| 16043824 | 13 SCREW |
| 16610924 | 1 SCREW |
| 16611124 | 4 SCREW |
| 17095204 | 6 LOCK WASHE |
| 17873771 | 2 0 - MANCA |
| 4843398 | 1 GASKET |
| 4848554 | 1 HEAT EXANG |
| 98429280 | 6 GASKET |
| 99435959 | 1 ELEMENT |

Engine

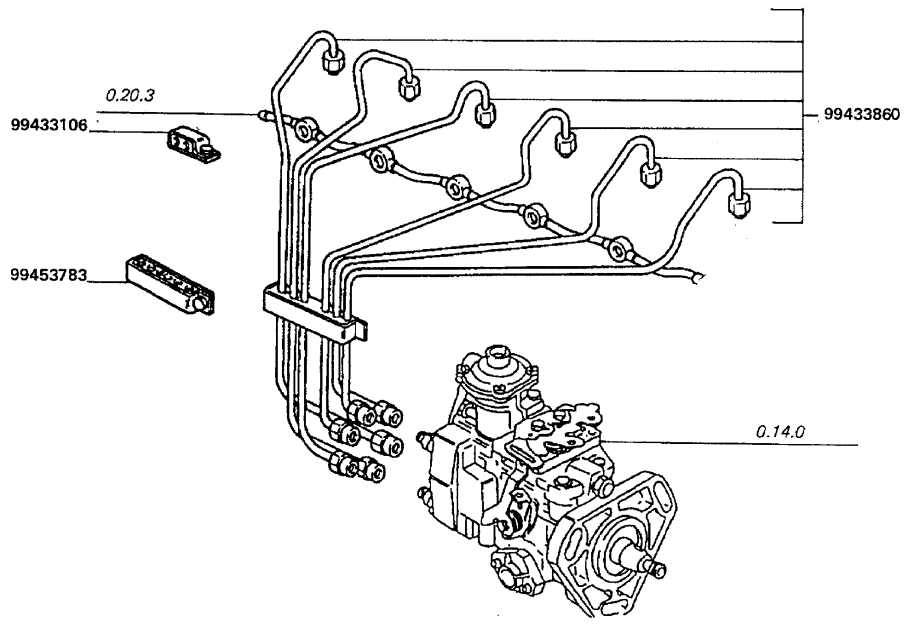
MTB "3000" 3560 AL



INIECTION PIPES

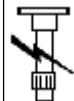
- 99433106
- 99433860
- 99453783

- 1 STIRRUP
- 1 KIT, MISC
- 1 STIRRUP

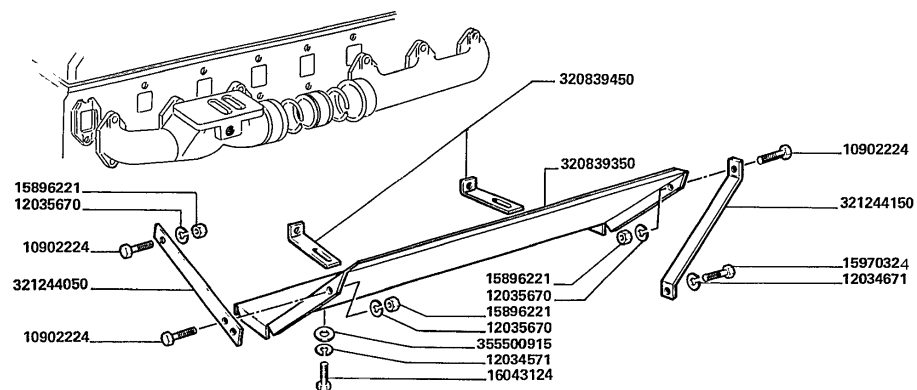


ENGINE INSTALLATION

MTB "3000" 3560 AL



EXHAUST MANIFOLD GUARD



- | | | |
|-----------|---|------------|
| 10902224 | 3 | SCREW |
| 12034571 | 2 | LOCK WASHE |
| 12034671 | 1 | LOCK WASHE |
| 12035670 | 3 | LOCK WASHE |
| 15896221 | 3 | NUT |
| 15970324 | 1 | SCREW |
| 16043124 | 2 | SCREW |
| 320839350 | 1 | SHIELD |
| 320839450 | 2 | BRACKET, S |
| 321244050 | 1 | REINFORCEM |
| 321244150 | 1 | REINFORCEM |
| 355500915 | 2 | WASHER |
- 000120356710 (3)

CLICK HERE TO **DOWNLOAD** THE COMPLETE MANUAL

- Thank you very much for reading the preview of the manual.
- You can download the complete manual from: www.heydownloads.com by clicking the link below



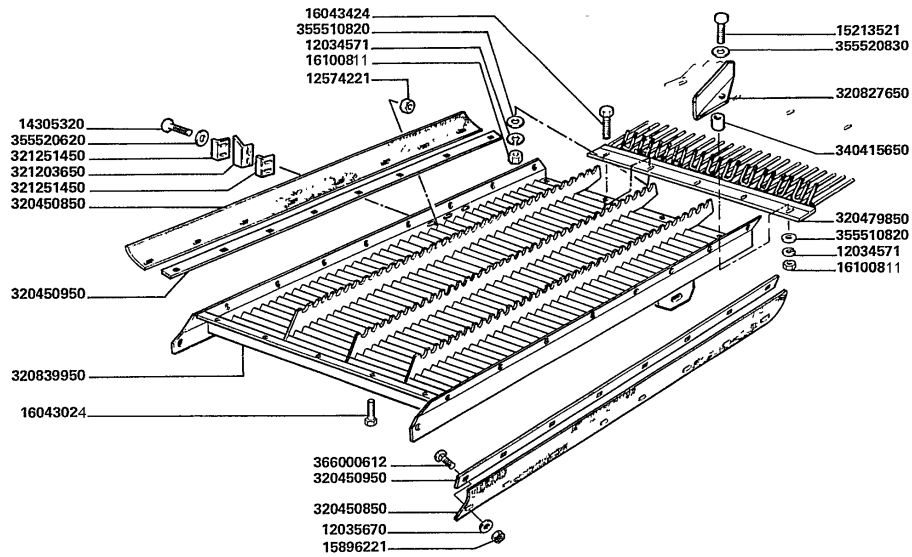
- Please note: If there is no response to CLICKING the link, please download this PDF first and then click on it.

CLICK HERE TO **DOWNLOAD** THE COMPLETE MANUAL

Guard

GRAIN PAN page2

MTB "3000" 3560 AL

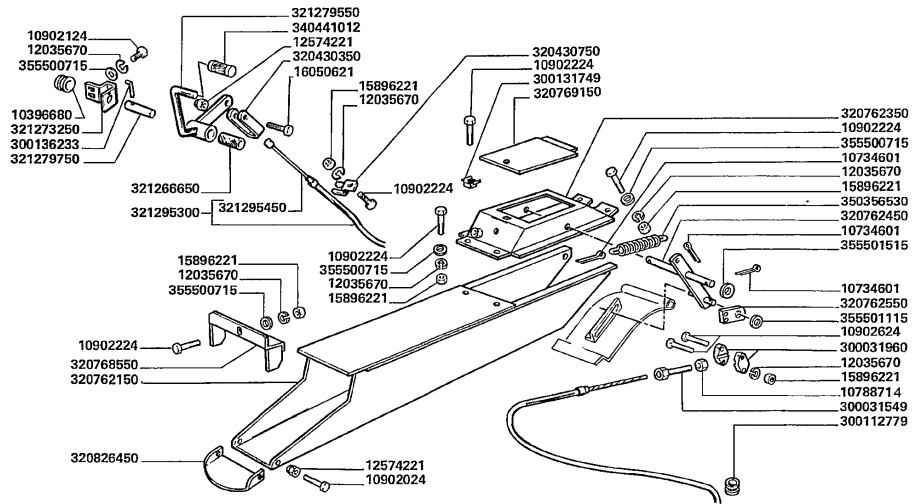


- 12034571
- 12035670 ● 000120356710 (16)
- 12574221
- 14305324
- 15213521
- 15896221
- 16043024 ● 000160430240 (4)
- 16043424
- 16100811
- 320450850
- 320450950
- 320479850
- 320827650
- 320839950
- 321203650
- 321251450
- 340415650
- 355510820
- 355520620
- 355520830
- 366000612
- 7 LOCK WASHE
- 16 LOCK WASHE
- 4 NUT
- 4 SCREW
- 7 SCREW
- 16 NUT
- 4 SCREW
- 16 SCREW
- 18 NUT
- 2 CONVEYOR
- 2 STRAP
- 1 RAKE
- 2 SHUNTER
- 1 GRAIN PAN
- 2 GASKET
- 4 STRAP
- 2 BUSH
- 7 WASHER
- 4 WASHER
- 2 WASHER
- 16 SCREW

Guard

TAILINGS INSPECTION

MTB "3000" 3560 AL



355501115
355501515

1 WASHER
2 WASHER

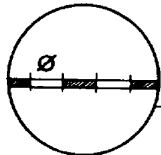
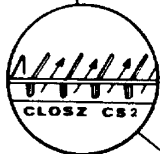
Guard

MTB "3000" 3560 AL

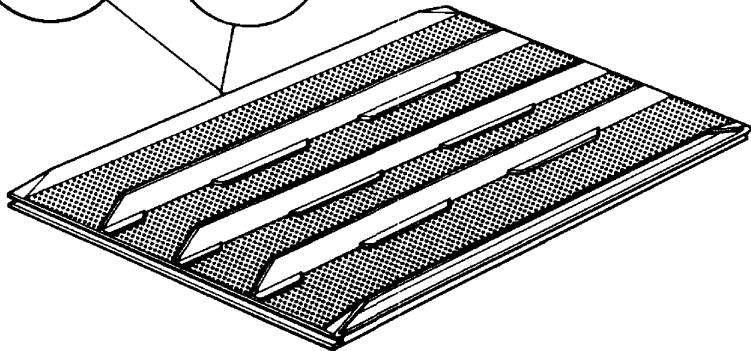


LOWER SIEVE

320458100



- 320458350 - 2
- 320458450 - 2,5
- 320458550 - 3
- 320458650 - 4
- 320458750 - 5
- 320458850 - 6
- 320458950 - 7
- 320459050 - 8
- 320459150 - 10
- 320459250 - 12
- 320459350 - 14
- 320459450 - 16
- 320459550 - 18
- 320459650 - 20
- 320459750 - 30



- | | |
|-----------|---------|
| 320458100 | 1 SIEVE |
| 320458350 | 1 SIEVE |
| 320458450 | 1 SIEVE |
| 320458550 | 1 SIEVE |
| 320458650 | 1 SIEVE |
| 320458750 | 1 SIEVE |
| 320458850 | 1 SIEVE |
| 320458950 | 1 SIEVE |
| 320459050 | 1 SIEVE |
| 320459150 | 1 SIEVE |
| 320459250 | 1 SIEVE |
| 320459350 | 1 SIEVE |
| 320459450 | 1 SIEVE |
| 320459550 | 1 SIEVE |
| 320459650 | 1 SIEVE |
| 320459750 | 1 SIEVE |

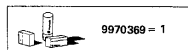
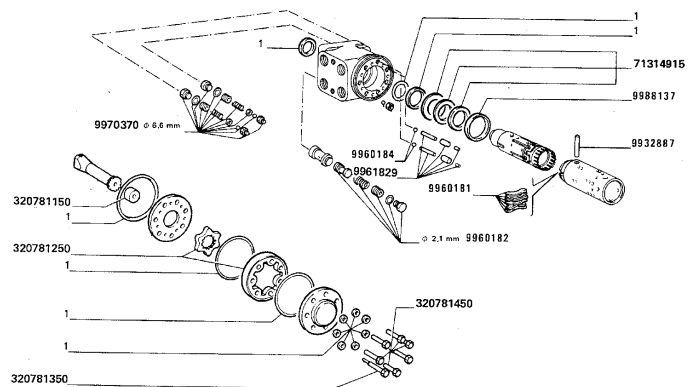
Hydraulic system

MTB "3000" 3560 AL



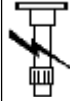
HYDRAULIC DRIVE ELEMENTS

- | | |
|-----------|--------------|
| 320781150 | 1 SPACER |
| 320781250 | 1 GEAR |
| 320781350 | 1 SCREW |
| 320781450 | 6 SCREW |
| 71314915 | 1 KIT, MISC |
| 9288137 | 1 RING |
| 9932887 | 1 O - MANCA |
| 9960181 | 1 SET OF PAR |
| 9960182 | 1 VALVE |
| 9960184 | 2 BALL |
| 9961829 | 2 PIN |
| 9970369 | 1 KIT, MISC |
| 9970370 | 1 VALVE |

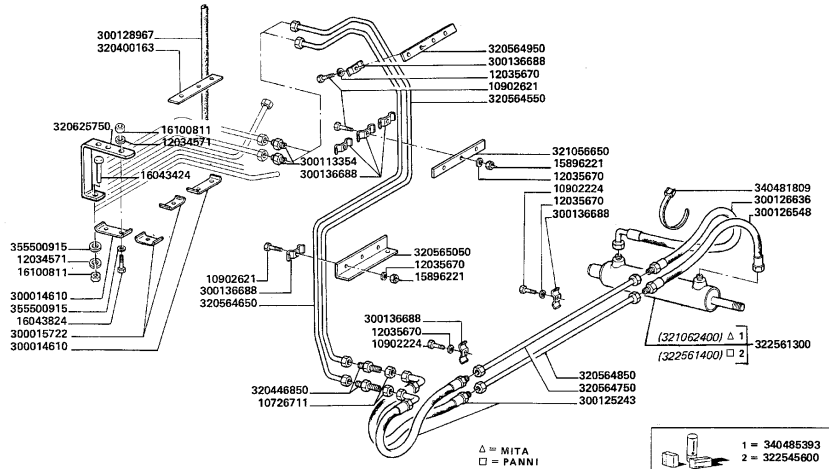


Hydraulic system

MTB "3000" 3560 AL



HYDRAULIC DRIVE RAM CONTROL TUBINGS

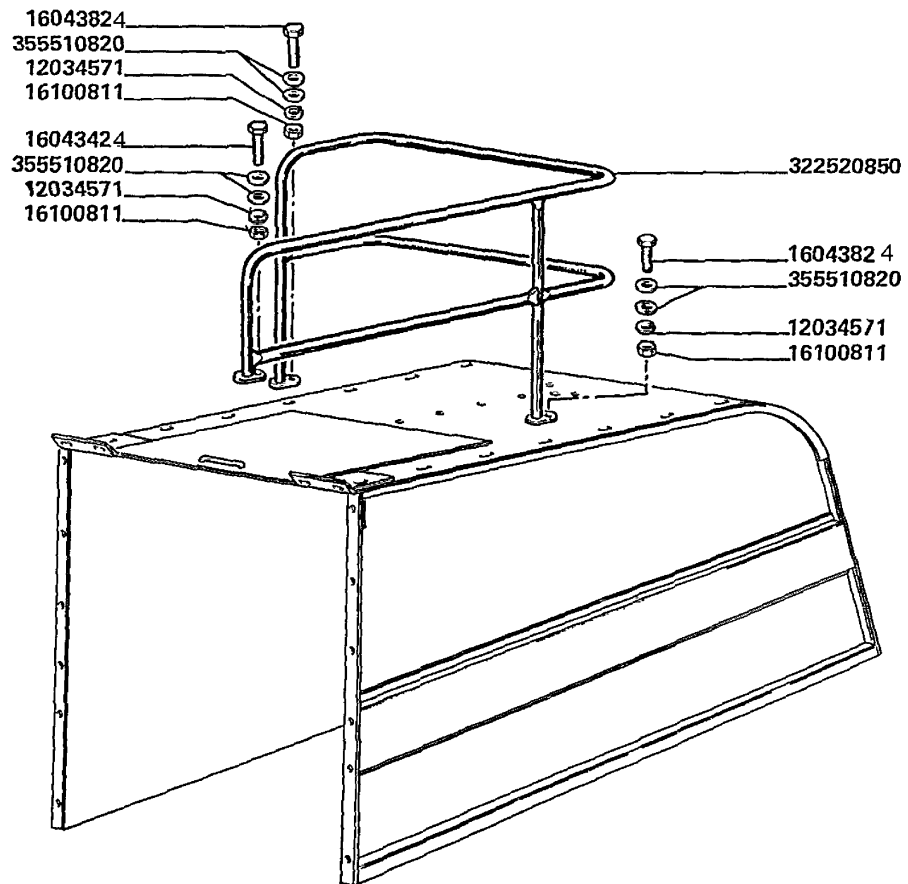


- 10726711
 - 10902224
 - 10902621
 - 12034571
 - 12035670
 - 15896221
 - 16043424
 - 16043824
 - 16100811
 - 300014610
 - 300015722
 - 300113354
 - 300125243
 - 300126548
 - 300126636
 - 300128967
 - 300136688
 - 320400163
 - 320446850
 - 320564550
 - 320564650
 - 320564750
 - 320564850
 - 320564950
 - 320565050
 - 320625750
 - 321056650
 - 322545600
 - 340481809
 - 340485393
 - 355500915
- 2 NUT
 - 3 SCREW
 - 4 SCREW
 - 5 LOCK WASHE
 - 2 LOCK WASHE
 - 1 NUT
 - 6 SCREW
 - 4 SCREW
 - 2 NUT
 - 2 BRIDLE
 - 2 BRIDLE
 - 2 UNION
 - 2 HOSE
 - 1 HOSE
 - 1 HOSE
 - 1 SHIELD
 - 6 BRIDLE
 - 1 BRIDLE
 - 2 UNION
 - 1 STANDPIPE
 - 1 PIPE
 - 1 PIPE
 - 1 PIPE
 - 1 SUPPORT
 - 1 SUPPORT
 - 1 SUPPORT
 - 1 STRAP
 - 1 KIT SEALS
 - 1 JACK
 - 1 CLAMP
 - 1 KIT SEALS
 - 4 WASHER
- 000120356710 (2)

Straw walkers

REAR BODY page2

MTB "3000" 3560 AL

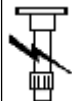


12034571
16043424
16043824
16100811
322520850
355510820

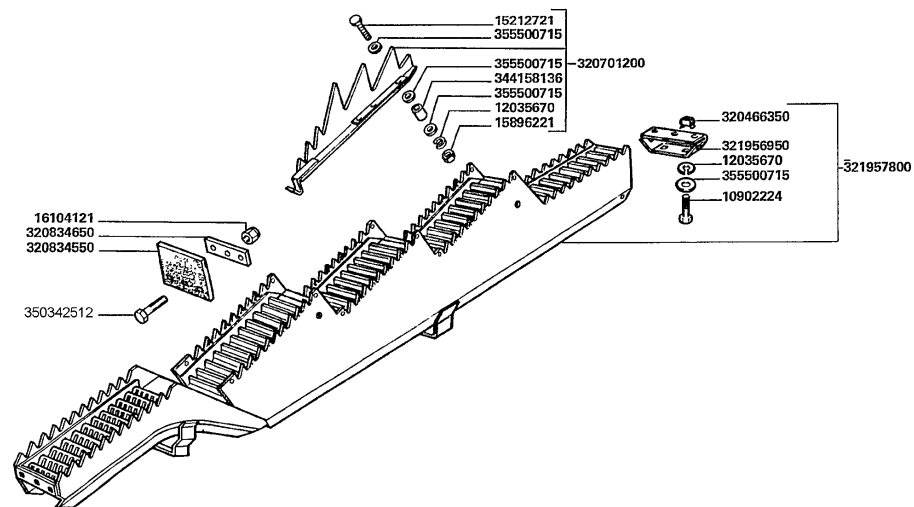
47 LOCK WASHE
2 SCREW
5 SCREW
61 NUT
1 SHIELD
90 WASHER

Straw walkers

MTB "3000" 3560 AL



STRAW WALKER

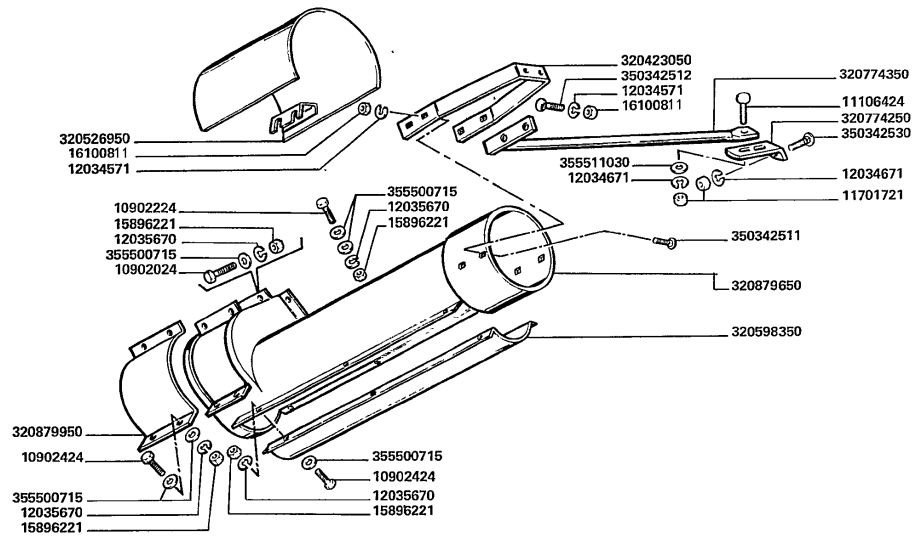
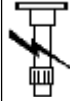


- | | | | |
|-----------|---------------------|----|------------|
| 10902224 | | 4 | SCREW |
| 12035670 | ● 000120356710 (5) | 5 | LOCK WASHE |
| 15212721 | | 1 | SCREW |
| 15896221 | | 1 | NUT |
| 16043624 | | 12 | SCREW |
| 16104121 | | 12 | NUT |
| 320466350 | | 4 | NUT |
| 320701200 | ● 000120356710 (24) | 12 | STRAW ELEV |
| | 000152127210 (12) | | |
| | 003441581360 (12) | | |
| | 000158962210 (12) | | |
| | 003206919500 (12) | | |
| | 000158962110 (12) | | |
| | 003555007150 (36) | | |
| 320834550 | | 4 | PANEL |
| 320834650 | | 4 | STRAP |
| 321956950 | | 1 | PANEL |
| 321957800 | | 4 | STRAW WALK |
| 344158136 | | 1 | BUSH |
| 355500715 | | 7 | WASHER |

Tank and fairings

TANK FILLING AUGER page1

MTB "3000" 3560 AL

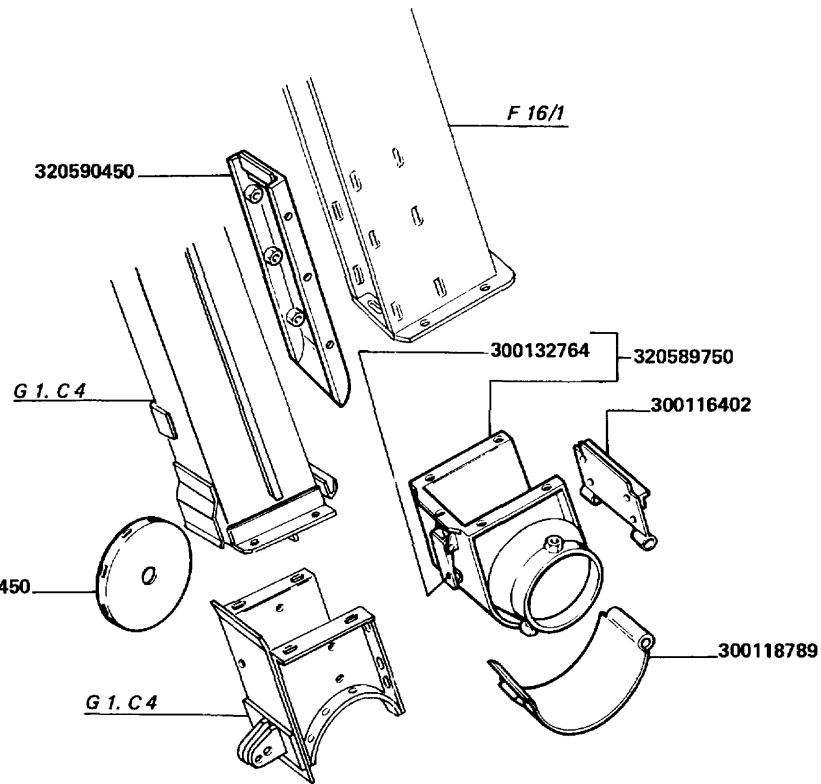
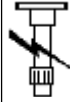


- | | | |
|-----------|---------------------|---------------|
| 10902024 | | 2 SCREW |
| 10902224 | | 2 SCREW |
| 10902424 | | 10 SCREW |
| 11106424 | | 1 SCREW |
| 11701721 | | 5 NUT |
| 12034571 | | 14 LOCK WASHE |
| 12034671 | | 5 LOCK WASHE |
| 12035670 | ● 000120356710 (12) | 12 LOCK WASHE |
| 15896221 | | 14 NUT |
| 16100811 | | 10 NUT |
| 320423050 | | 1 SUPPORT |
| 320526950 | | 1 TROUGH |
| 320598350 | | 1 LID |
| 320774250 | | 1 PLATE |
| 320774350 | | 1 PIPE |
| 320879650 | | 1 UNION |
| 320879950 | | 1 LID |
| 350342511 | | 2 SCREW |
| 350342512 | | 2 SCREW |
| 350342530 | | 1 SCREW |
| 355500715 | | 14 WASHER |
| 355511030 | | 1 WASHER |

Tank and fairings

ELEVATOR UNION

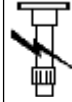
MTB "3000" 3560 AL



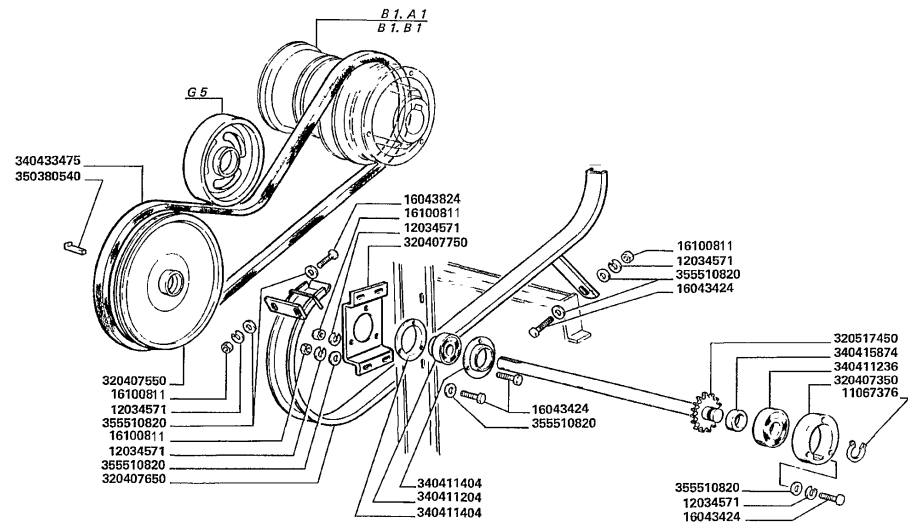
- | | | |
|-----------|---|------------|
| 300116402 | 1 | WALL |
| 300118789 | 1 | LID |
| 300132764 | 1 | BRIDLE |
| 320523450 | 1 | DISC |
| 320589750 | 1 | UNION |
| 320590450 | 1 | END ASSY,T |

Tank and fairings

MTB "3000" 3560 AL



TANK UNLOADING DRIVE

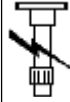


- 11067376
- 12034571
- 16043424
- 16043824
- 16100811
- 320407350
- 320407550
- 320407650
- 320407750
- 320517450
- 340411204
- 340411236
- 340411404
- 340415874
- 340433475
- 350380540
- 355510820

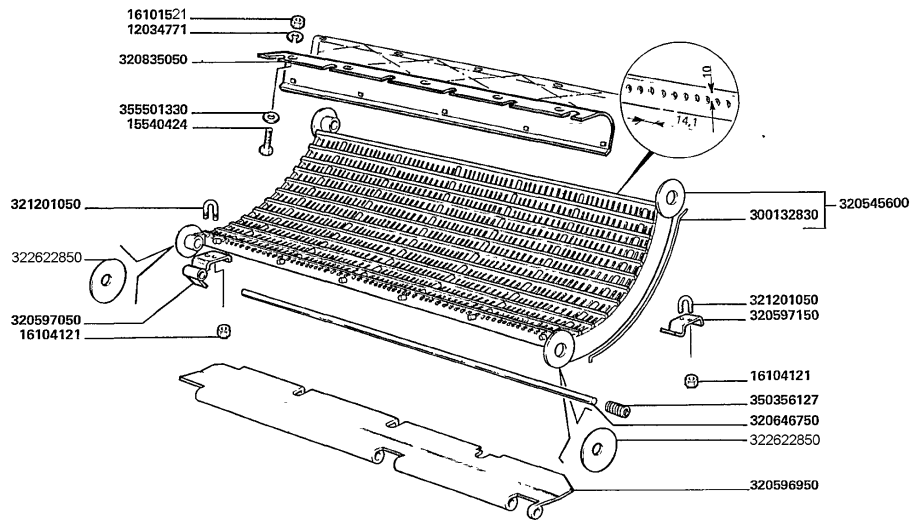
- 1 SPRING LOC
- 13 LOCK WASHE
- 11 SCREW
- 2 SCREW
- 10 NUT
- 1 SUPPORT
- 1 PULLEY
- 1 SKATE
- 1 SUPPORT
- 1 MAST
- 1 BEARING
- 1 BEARING
- 2 FLANGE COU
- 1 BUSH
- 1 BELT
- 1 KEY
- 17 WASHER

Thresher

MTB "3000" 3560 AL



RASP-BAR CONCAVE WITH NORMAL WIRE SPACING

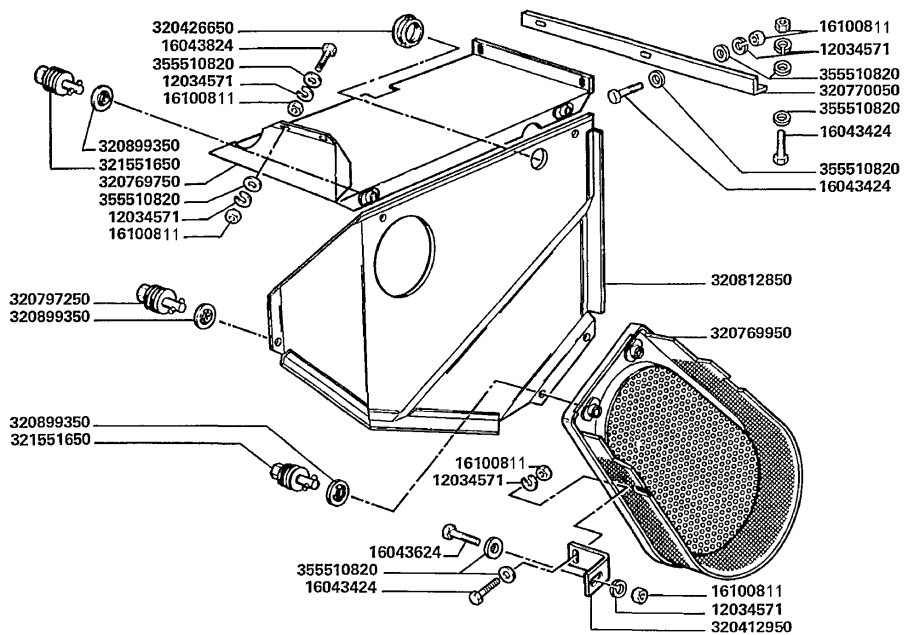
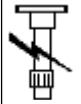


- | | |
|-----------|---------------|
| 12034771 | 5 LOCK WASHE |
| 15540424 | 5 SCREW |
| 16101521 | 5 NUT |
| 16104121 | 10 NUT |
| 300132830 | 74 WIRE, RETA |
| 320545600 | 1 CONCAVE |
| 320596950 | 1 PANEL |
| 320597050 | 3 HINGE |
| 320597150 | 2 SUPPORT |
| 320646750 | 1 DOWEL |
| 320835050 | 1 BACKBONE |
| 321201050 | 5 BRIDLE |
| 322622850 | 2 WASHER |
| 350356127 | 1 SPRING |
| 355501330 | 5 WASHER |

Thresher

DRUM VARIATOR GUARD

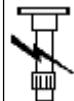
MTB "3000" 3560 AL



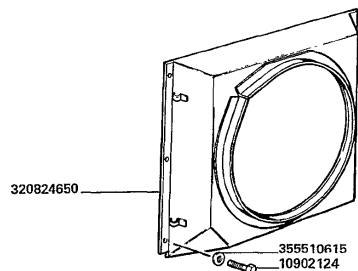
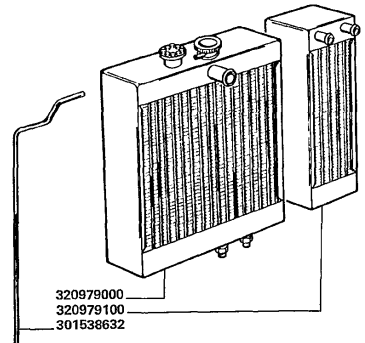
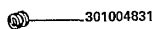
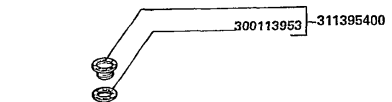
- | | |
|-----------|---------------|
| 12034571 | 14 LOCK WASHE |
| 16043424 | 7 SCREW |
| 16043624 | 3 SCREW |
| 16043824 | 2 SCREW |
| 16100811 | 14 NUT |
| 320412950 | 3 SUPPORT |
| 320426650 | 1 PLUG |
| 320769750 | 1 SHIELD |
| 320769950 | 1 SHIELD |
| 320770050 | 1 ANGULAR |
| 320797250 | 1 STEM |
| 320812850 | 1 SHIELD |
| 320899350 | 5 WASHER |
| 321551650 | 4 STEM |
| 355510820 | 18 WASHER |

Transmission

MTB "3000" 3560 AL



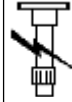
RADIATOR ELEMENTS



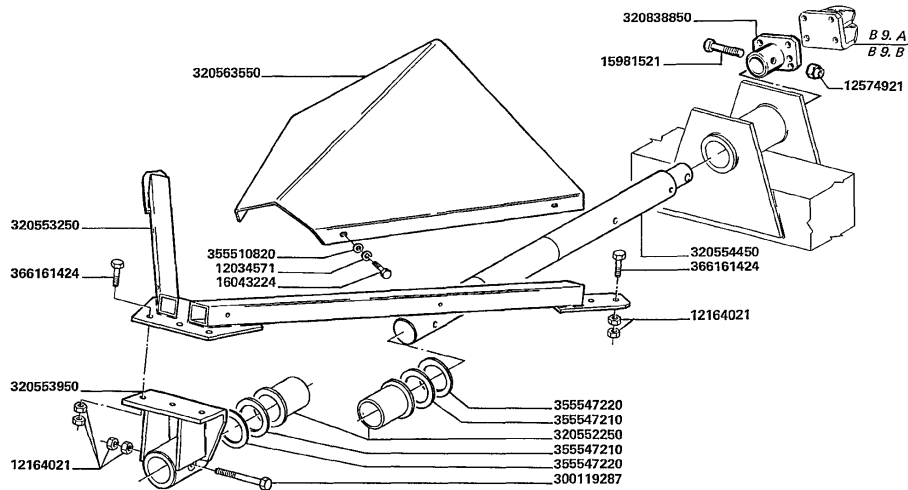
- 10902124
- 300113953 ● 003226383500 (1)
- 300113956
- 301004831
- 301538632
- 311395400
- 311395500
- 322634650
- 322637000
- 322637100
- 355510615
- 6 SCREW
- 1 GASKET
- 1 GASKET
- 1 GROMMET
- 1 PIPE
- 1 VALVE
- 1 PLUG
- 1 CONVEYOR
- 1 RADIATOR
- 1 RADIATOR
- 6 WASHER

Transmission

MTB "3000" 3560 AL



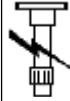
SUPPORT PIN FOR REAR AXLE



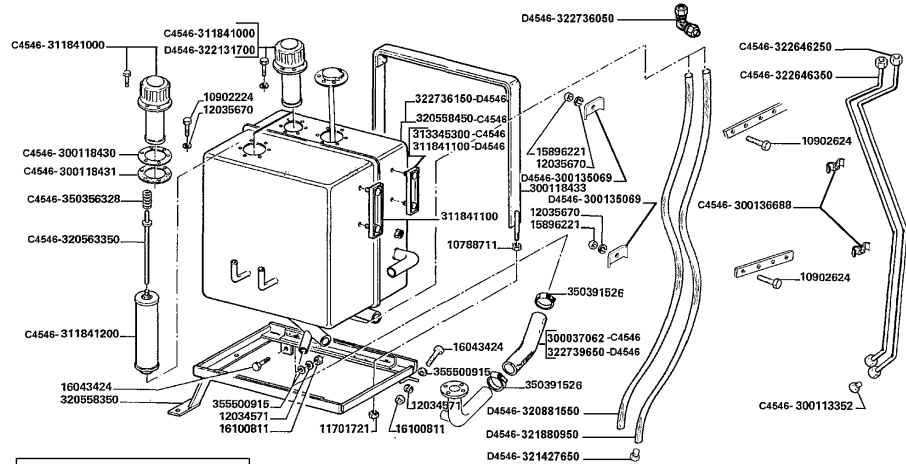
- | | | |
|-----------|--------------------|--------------|
| 12034571 | | 4 LOCK WASHE |
| 12164021 | | 16 NUT |
| 12574921 | | 4 NUT |
| 15981521 | ● 000159815310 (4) | 4 SCREW |
| 16043224 | | 4 SCREW |
| 300119287 | | 1 DOWEL |
| 320552250 | | 2 BEARING |
| 320553250 | | 1 FRAME |
| 320553950 | | 1 SUPPORT |
| 320554450 | | 1 PIVOT |
| 320563550 | | 1 SKID |
| 320838850 | | 1 SUPPORT |
| 355510820 | | 4 WASHER |
| 355547210 | | 4 WASHER |
| 355547220 | | 2 WASHER |
| 366161424 | | 7 SCREW |

Transmission

MTB "3000" 3560 AL



OIL TANK



- | | | |
|-----------|---|------------|
| 10788714 | 2 | NUT |
| 10902224 | 6 | SCREW |
| 10902621 | 4 | SCREW |
| 11701721 | 2 | NUT |
| 12034571 | 4 | LOCK WASHE |
| 12035670 | 8 | LOCK WASHE |
| 15896221 | 2 | NUT |
| 16043424 | 4 | SCREW |
| 16100811 | 4 | NUT |
| 300037062 | 1 | SLEEVE |
| 300113352 | 2 | PLUG |
| 300118430 | 1 | PLATE RETA |
| 300118431 | 1 | GASKET |
| 300118433 | 1 | COLLAR |
| 300135069 | 2 | PLATE |
| 300136688 | 2 | BRIDLE |
| 311841000 | 2 | CORK |
| 311841100 | 2 | INDICATOR |
| 311841200 | 1 | FILTER |
| 313345300 | 1 | INDICATOR |
| 320558350 | 1 | SUPPORT |
| 320558450 | 1 | OIL TANK |
| 320563350 | 1 | ROD |
| 320881550 | 1 | HOSE |
| 321427650 | 2 | PLUG |
| 321743150 | 1 | GASKET |
| 321880950 | 1 | HOSE |
| 322131700 | 2 | PLUG |
| 322646250 | 1 | PIPE |
| 322646350 | 1 | PIPE |
| 322736050 | 1 | UNION |
| 322736150 | 1 | OIL TANK |

● 000120356710 (8)

● N.A. (1)

CLICK HERE TO **DOWNLOAD** THE COMPLETE MANUAL

- Thank you very much for reading the preview of the manual.
- You can download the complete manual from: www.heydownloads.com by clicking the link below



- Please note: If there is no response to CLICKING the link, please download this PDF first and then click on it.

CLICK HERE TO **DOWNLOAD** THE COMPLETE MANUAL