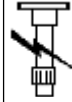
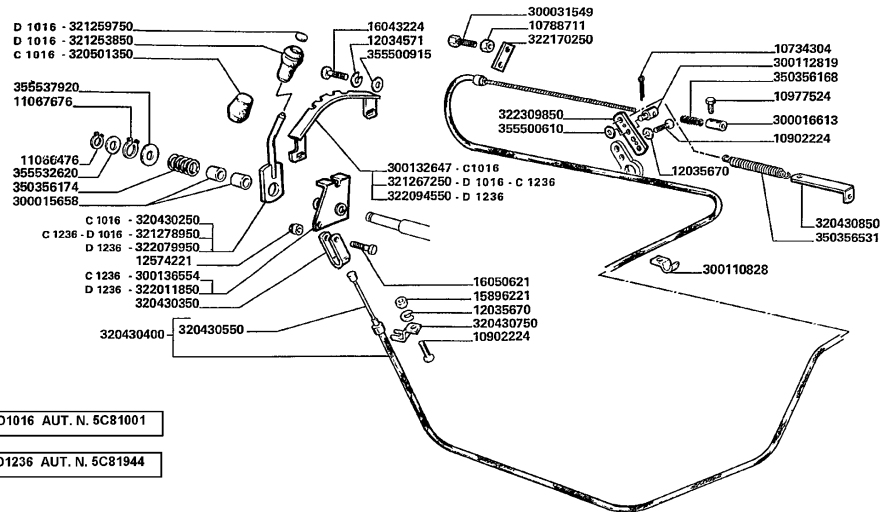


VARIOUS

MTB "3000" 3550 AL



ENGINE THROTTLE



- 10734304 ● 000107343010 (1) 1 REPLACE
- 10788711 ● 000107887140 (1) 1 NUT
- 10902224 3 SCREW
- 10977524 2 SCREW
- 11066476 1 SPRING LOC
- 11067676 1 SPRING LOC
- 12034571 2 LOCK WASHE
- 12035670 ● 000120356710 (3) 3 LOCK WASHE
- 12574221 1 NUT
- 15896221 1 NUT
- 16043224 2 SCREW
- 16050621 1 SCREW
- 300015658 2 BUSH
- 300016613 1 CONNECTOR
- 300031549 1 SCREW
- 300110828 4 BRIDLE
- 300112819 1 SUPPORT
- 300132647 1 SECTOR
- 300136554 1 SUPPORT
- 320430250 ● 003212538500 (1) 1 REPLACE
- 003212597500 (1)
- 003212789500 (1)
- 320430350 1 BRIDLE
- 320430400 1 CABLE
- 320430550 1 ROPE
- 320430750 1 BRACKET, S
- 320430850 1 BRACKET, S
- 320501350 1 KNOB
- 321253850 1 HANDLE GRI
- 321259750 1 PLUG

CLICK HERE TO **DOWNLOAD** THE COMPLETE MANUAL

- Thank you very much for reading the preview of the manual.
- You can download the complete manual from: [www.heydownloads.com](http://www.heydownloads.com) by clicking the link below



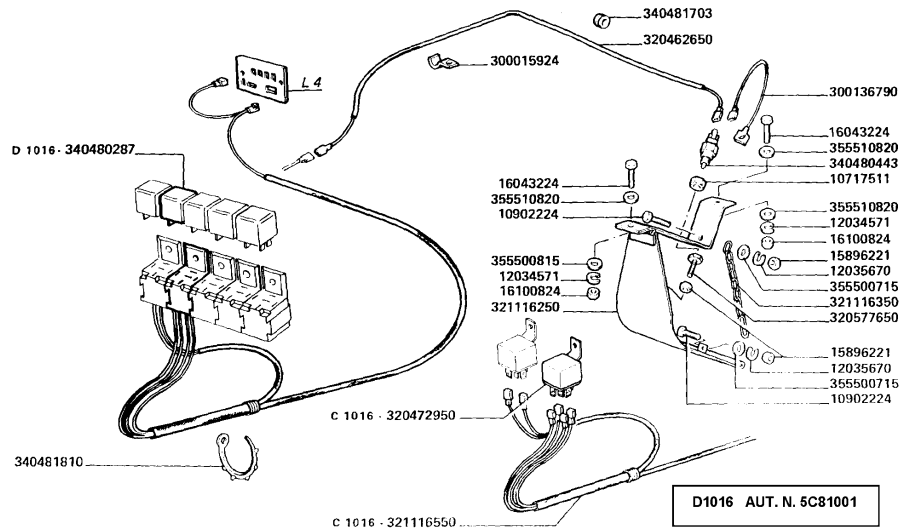
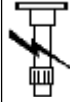
- Please note: If there is no response to CLICKING the link, please download this PDF first and then click on it.

CLICK HERE TO **DOWNLOAD** THE COMPLETE MANUAL

VARIOUS

STRAW WALKER CLOGGING WARNING DEVICE

MTB "3000" 3550 AL



- 10717511
- 10902224
- 12034571
- 12035670
- 15896221
- 16043224
- 16100824
- 300015924
- 300136790
- 320462650
- 320472950
- 320577650
- 321116250
- 321116350
- 321116550
- 340480287
- 340480443
- 340481703
- 340481810
- 355500715
- 355500815
- 355510820
- 000120356710 (2)
- 1 NUT
- 2 SCREW
- 4 LOCK WASHE
- 2 LOCK WASHE
- 3 NUT
- 4 SCREW
- 4 NUT
- 2 CLAW
- 1 EARTH WIRE
- 1 WIRE/CABLE
- 1 RELAIS SWI
- 1 REGULATOR,
- 1 SUPPORT
- 1 CHAIN
- 1 WIRE/CABLE
- 1 RELAIS SWI
- 1 BUTTON
- 2 GROMMET
- 5 CLAMP
- 2 WASHER
- 1 WASHER
- 7 WASHER

VARIOUS

MTB "3000" 3550 AL



INSTRUMENTS AND GAUGES

340481003

340486008 ● N.A. (1)

340486115 ● N.A. (1)

340486184

340486210 ● N.A. (1)

340486312

5 LAMPADA

1 PRESSURE G

1 THERMOMETE

1 INDICATOR

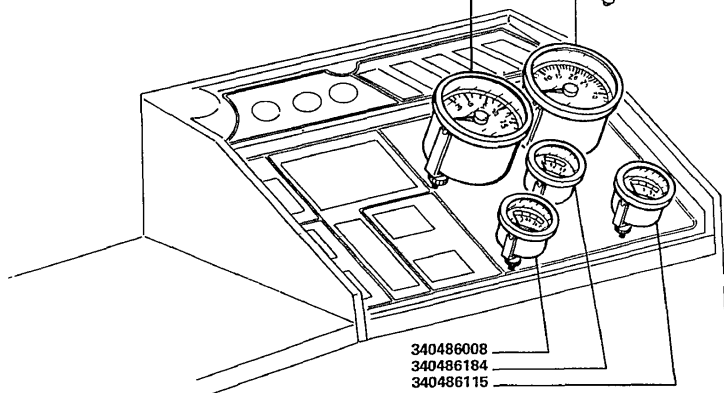
1 COUNTER, R

1 TACHOMETER

340486312  
340486210



340481003



340486008  
340486184  
340486115

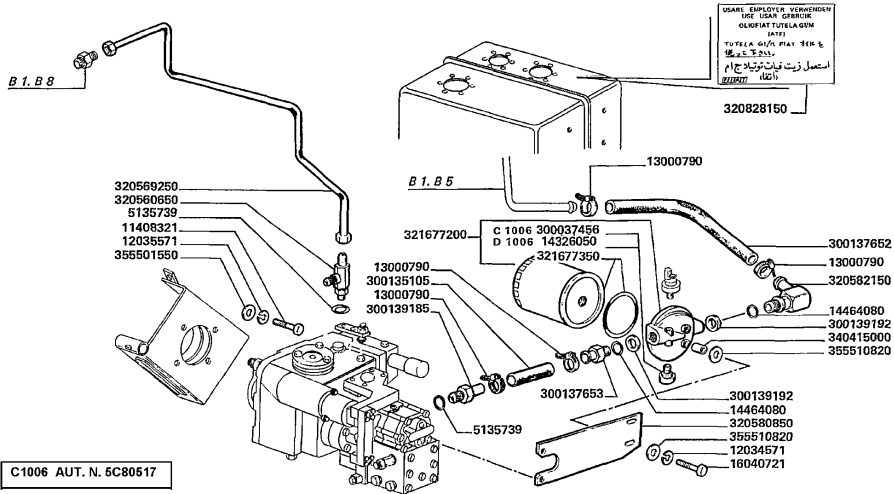
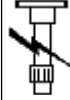
D1101 AUT. N. 5C81448



VARIOUS

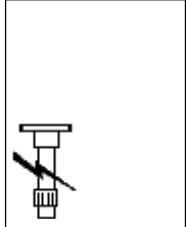
SAUER INSTALLATION

MTB "3000" 3550 AL



- |           |            |              |
|-----------|------------|--------------|
| 320621250 |            | 1 UNION      |
| 320621350 |            | 1 PLUG       |
| 320621450 |            | 2 UNION      |
| 320622200 | ● N.A. (1) | 1 TYRE       |
| 320631500 | ● N.A. (1) | 1 HYDRAULIC  |
| 320828150 |            | 1 DECAL      |
| 320898750 |            | 1 SHIELD     |
| 321118250 |            | 2 HOSE       |
| 321677200 |            | 1 FILTER     |
| 321677350 |            | 1 FILTER, EL |
| 321695950 |            | 1 SLEEVE     |
| 340415000 |            | 2 BUSH       |
| 350320430 |            | 2 SCREW      |
| 350345111 |            | 8 SCREW      |
| 355501550 |            | 4 WASHER     |
| 355510820 |            | 4 WASHER     |
| 355561630 |            | 1 WASHER     |
| 355562730 |            | 2 WASHER     |
| 5135739   |            | 4 O-RING     |

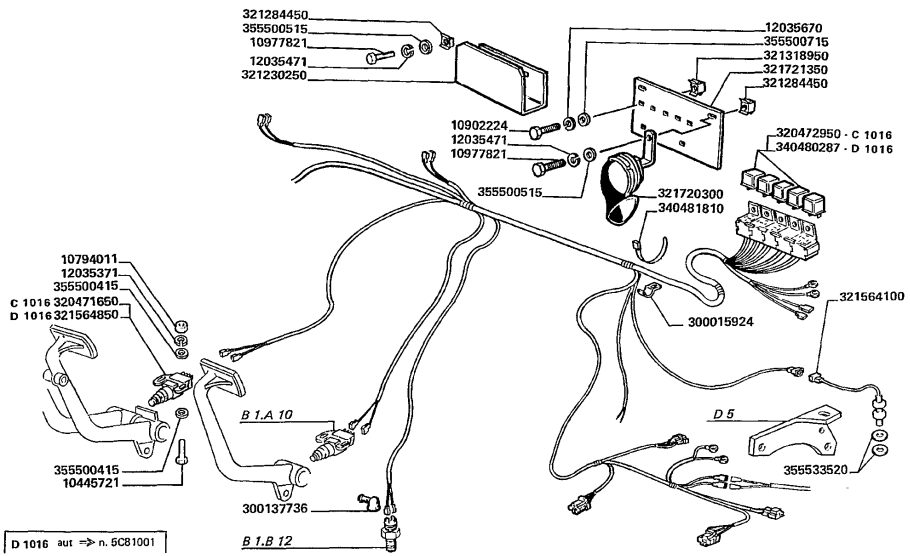
**VARIOUS**



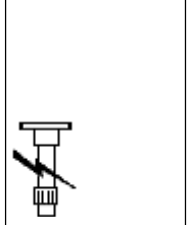
**MTB "3000" 3550 AL**

**HORN**

- |           |  |              |
|-----------|--|--------------|
| 10445721  |  | 2 SCREW      |
| 10794011  |  | 6 NUT        |
| 10902224  |  | 2 SCREW      |
| 10977821  |  | 7 SCREW      |
| 12035371  |  | 6 LOCK WASHE |
| 12035471  |  | 7 LOCK WASHE |
| 12035670  | ● 000120356710 (2)                     | 2 LOCK WASHE |
| 300015924 |  | 3 CLAW       |
| 300137736 |  | 2 PROTECTION |
| 320471650 |  | 3 BUTTON     |
| 320472950 |  | 2 RELAIS SWI |
| 321230250 |  | 1 SHIELD     |
| 321284450 |  | 7 NUT        |
| 321318950 |  | 1 NUT        |
| 321564100 |  | 1 SENSOR     |
| 321564850 |  | 3 SWITCH     |
| 321720300 | ● 003226924000 (1)<br>003226891000 (1) | 1 HORN       |
| 321721350 |  | 1 SUPPORT    |
| 340480287 |  | 2 RELAIS SWI |
| 340481810 |  | 35 CLAMP     |
| 355500515 |  | 21 WASHER    |
| 355500715 |  | 3 WASHER     |
| 355533520 |  | 2 WASHER     |

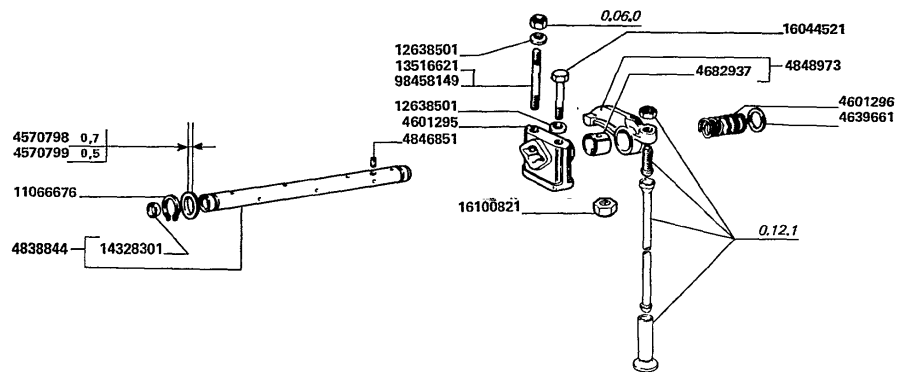


VARIOUS



ROCKER ARMS AND SUPPORTS

MTB "3000" 3550 AL



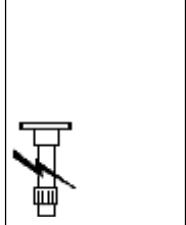
D aut. => n.

- 11066676
- 12638501
- 13516621
- 14328301
- 16044521
- 16100821
- 4570798
- 4570799
- 4601295
- 4601296
- 4639661
- 4682937
- 4838844
- 4846851
- 4848973
- 98458149
- 2 SPRING LOC
- 12 LOCK WASHE
- 6 REPLACE
- 2 PLUG
- 6 SCREW
- 6 NUT
- 4 SHIM
- 4 SHIM
- 6 SUPPORT
- 5 SPRING
- 10 LOCK WASHE
- 12 BUSH
- 1 SHAFT
- 1 SCREW
- 12 COUNTER WE
- 6 STUD

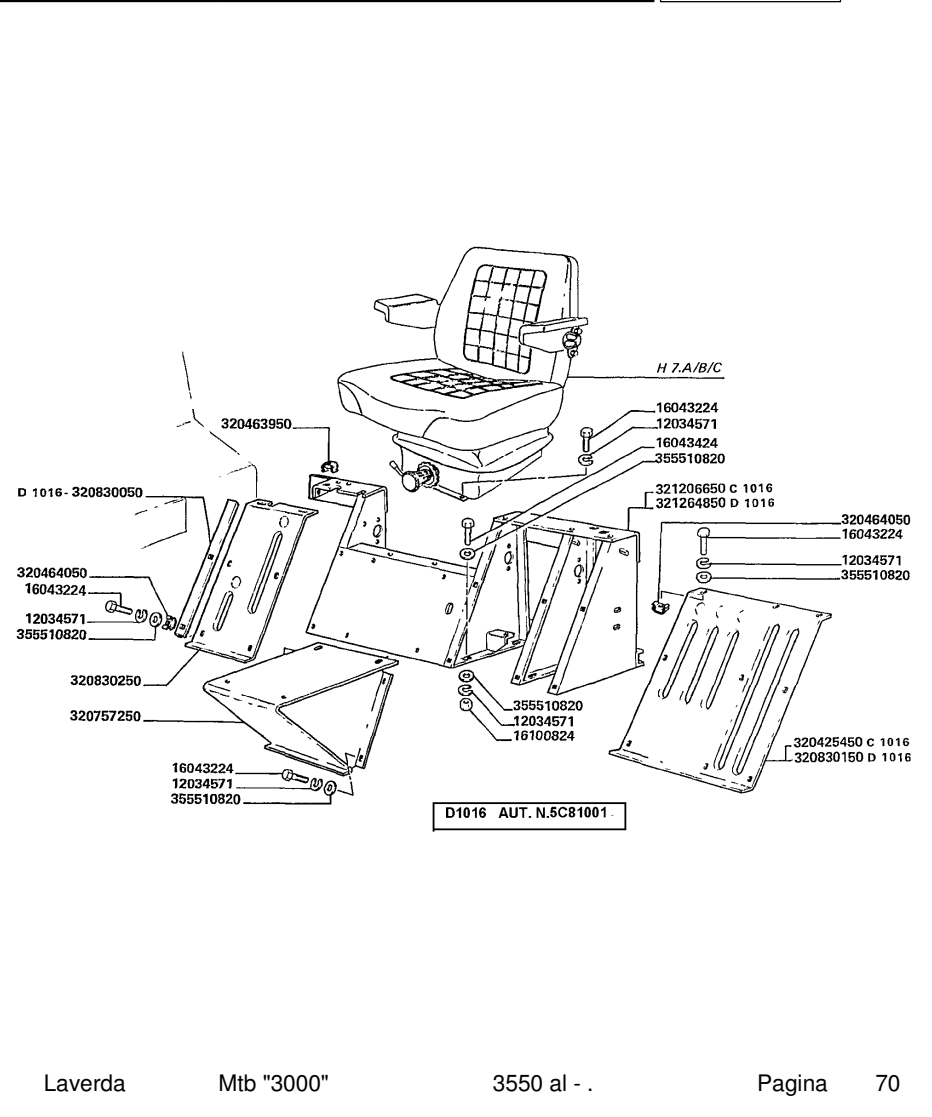
● 000135166240 (6)

**VARIOUS**

**MTB "3000" 3550 AL**



**LEVER GUARDS**



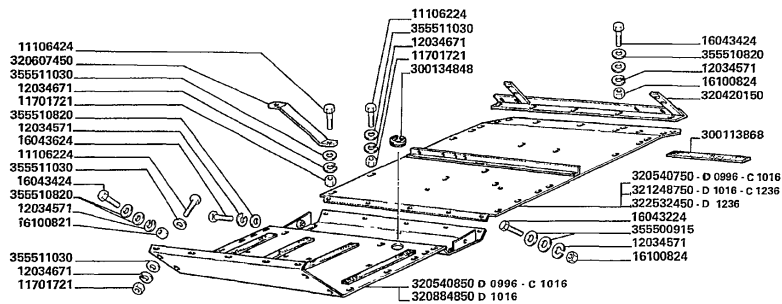
- 12034571
- 16043224
- 16043424
- 16100824
- 320425450
- 320463950
- 320464050
- 320757250
- 320830050
- 320830150
- 320830250
- 321206650
- 321264850
- 355510820

- 41 LOCK WASHE
- 30 SCREW
- 11 SCREW
- 11 NUT
- 1 COVER
- 1 NUT
- 15 NUT
- 1 SUPPORT
- 1 SUPPORT
- 1 COVER
- 1 COVER
- 1 COVER
- 1 COVER
- 48 WASHER

VARIOUS

STRAW WALKERS CASE

MTB "3000" 3550 AL

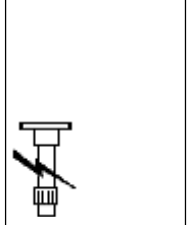


D0996 AUT. N. 5C80473    D1016 AUT. N. 5C81001    D1236 AUT. N. 5C81944



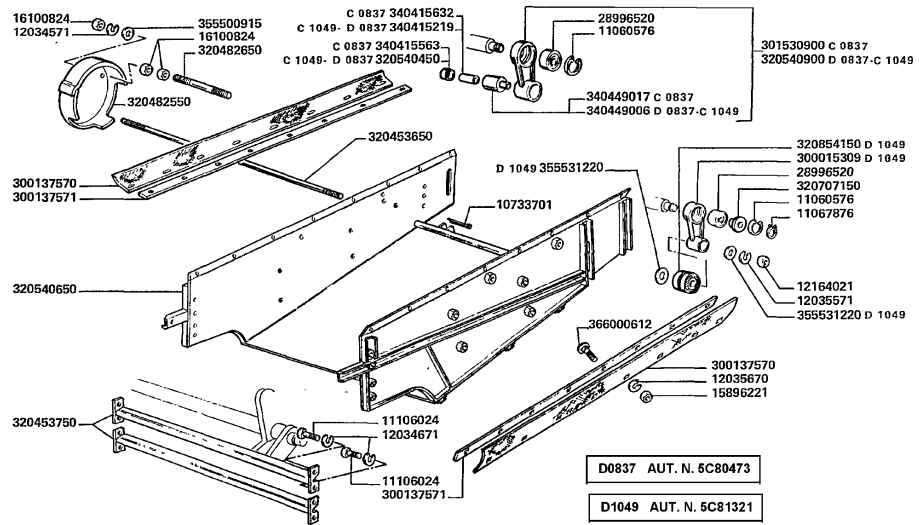
- |           |   |                  |
|-----------|---|------------------|
| 11106224  |   | 24 SCREW         |
| 11106424  |   | 32 SCREW         |
| 11701721  |   | 52 NUT           |
| 12034571  |   | 19 LOCK WASHE    |
| 12034671  |   | 58 LOCK WASHE    |
| 16043224  |   | 5 SCREW          |
| 16043424  |   | 8 SCREW          |
| 16043624  |   | 2 SCREW          |
| 300113868 |   | 5 NONSKID        |
| 300134848 |   | 1 GASKET         |
| 320420150 |   | 1 PROFILE        |
| 320540750 | ● | 003208848500 (1) |
|           |   | 003212487500 (1) |
| 320540850 | ● | 003208848500 (0) |
|           |   | 003212487500 (0) |
| 320607450 |   | 1 BASE PLATE     |
| 320713450 |   | 1 NONSKID        |
| 320884850 |   | 1 ROOF           |
| 321248750 |   | 0 ROOF           |
| 322532450 |   | 1 ROOF           |
| 355500915 |   | 14 WASHER        |
| 355510820 |   | 18 WASHER        |
| 355511030 |   | 78 WASHER        |

VARIOUS



SHAKER SHOE

MTB "3000" 3550 AL



- 320707150
- 320854150
- 340415219
- 340415563
- 340415632
- 340449006
- 340449017
- 355531220
- 366000612

- 2 BUSH
- 2 BUSH
- 0 BUSH
- 2 BUSH
- 2 BUSH
- 0 SILENTBLOC
- 1 SILENTBLOC
- 4 WASHER
- 16 SCREW

VARIOUS

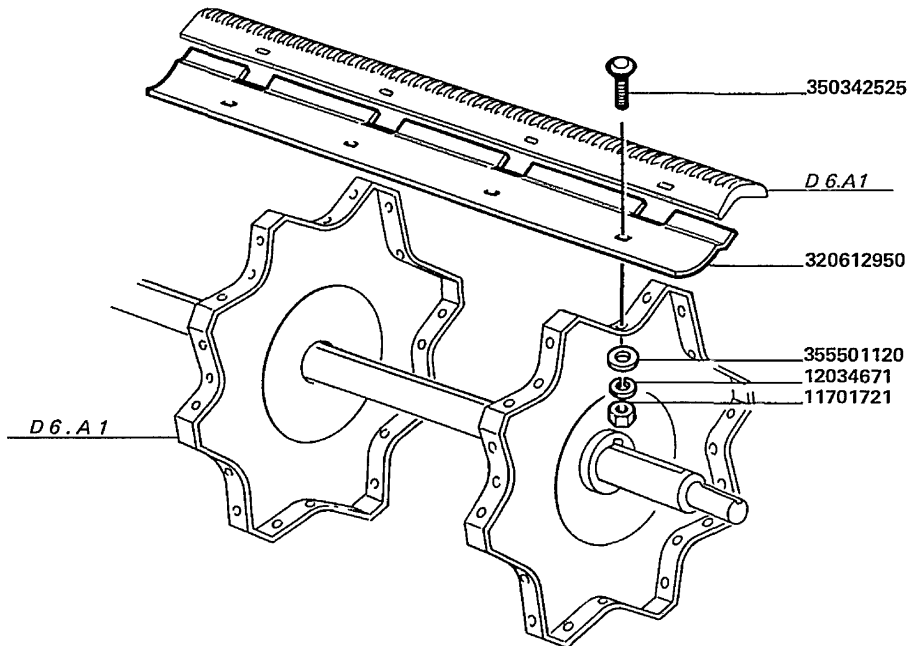
DRUM BAR PLATES

MTB "3000" 3550 AL



11701721  
12034671  
320612950  
350342525  
355501120

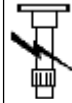
32 NUT  
32 LOCK WASHE  
8 PANEL  
32 SCREW  
32 WASHER



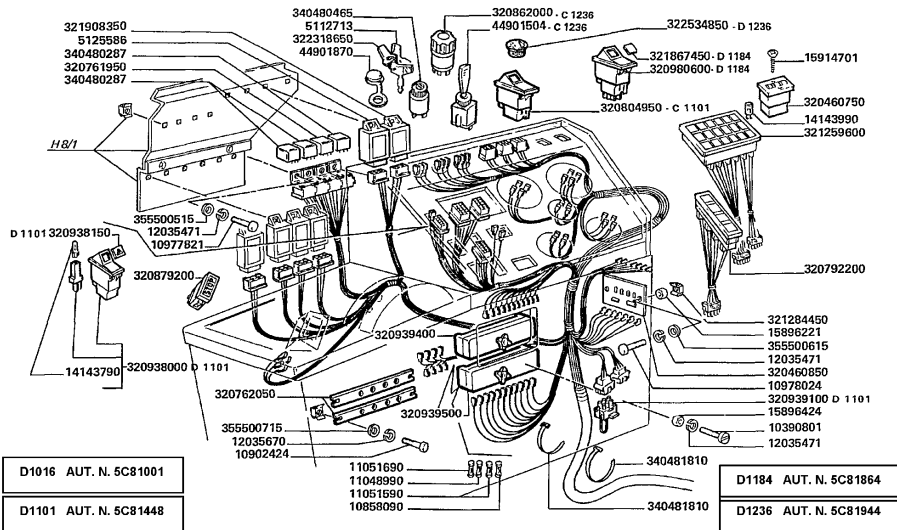


VARIOUS

MTB "3000" 3550 AL



ELECTRIC CONTROLS

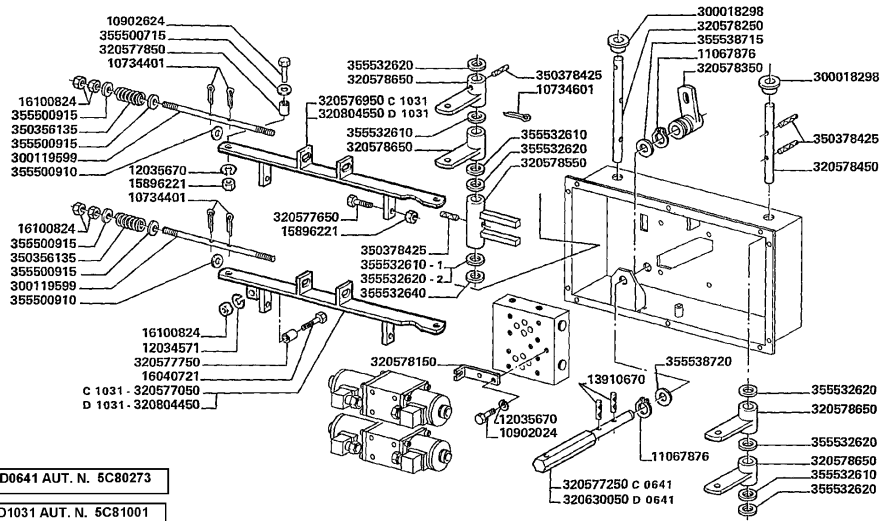
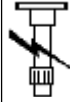


- |           |  |   |            |
|-----------|--|---|------------|
| 10390801  |  | 4 | SCREW      |
| 10858090  |  | 0 | VALVE      |
| 10902424  |  | 4 | SCREW      |
| 10977821  |  | 6 | SCREW      |
| 10978024  | ● 000109780240 (2)                     | 2 | SCREW      |
| 11048990  |  | 0 | VALVE      |
| 11051590  |  | 0 | VALVE      |
| 11051690  |  | 0 | VALVE      |
| 12035471  |  | 0 | LOCK WASHE |
| 12035670  | ● 000120356710 (4)                     | 4 | LOCK WASHE |
| 14143790  |  | 1 | LAMPADA    |
| 14143990  |  | 0 | LAMPADA    |
| 15896221  |  | 2 | NUT        |
| 15896424  | ● 000158964110 (4)                     | 4 | NUT        |
| 15914701  |  | 2 | SCREW      |
| 320460750 | ● 003217150000 (1)<br>003217110000 (1) | 1 | FRAME      |
| 320460850 | ● 003216876000 (1)                     | 1 | SIDEBOARDS |
| 320761950 |  | 1 | CONTAINER  |
| 320762050 |  | 2 | SUPPORT    |
| 320792200 |  | 1 | INDICATOR  |
| 320804950 |  | 1 | BUTTON     |
| 320862000 |  | 1 | DASH BOARD |
| 320879200 |  | 1 | HEADLAMP   |
| 320938000 |  | 1 | SWITCH     |
| 320938150 |  | 1 | PLATE      |
| 320939100 | ● N.A. (1)                             | 1 | BLOCK      |
| 320939400 |  | 1 | FUSE HOLDE |

VARIOUS

ELECTROVALVES CONTROL

MTB "3000" 3550 AL



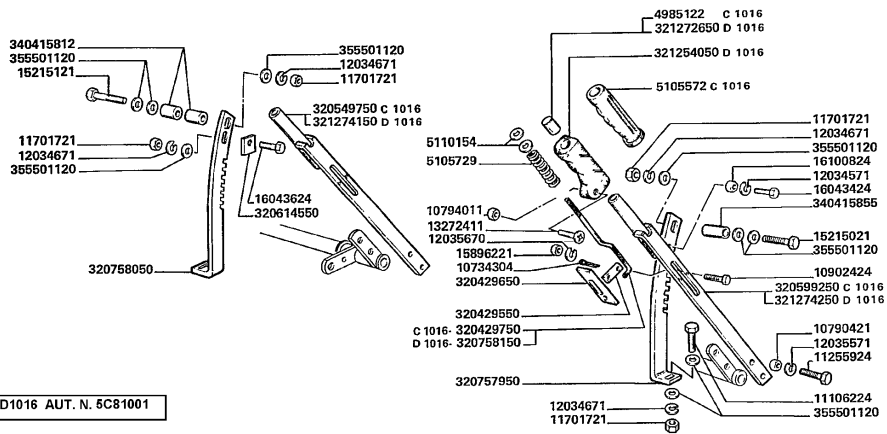
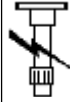
- |           |   |            |
|-----------|---|------------|
| 10734401  | 4 | LINCH PIN  |
| 10734601  | 1 | LINCH PIN  |
| 10902024  | 2 | SCREW      |
| 10902624  | 4 | SCREW      |
| 11067876  | 2 | SPRING LOC |
| 12034571  | 1 | LOCK WASHE |
| 12035670  | 6 | LOCK WASHE |
| 13910670  | 2 | DOWEL      |
| 15896221  | 8 | NUT        |
| 16040721  | 1 | SCREW      |
| 16100824  | 9 | NUT        |
| 300018298 | 2 | PLUG       |
| 300119599 | 2 | DOWEL      |
| 320576950 | 1 | ROD        |
| 320577050 | 1 | ROD        |
| 320577250 | 1 | ROD        |
| 320577650 | 4 | REGULATOR, |
| 320577750 | 1 | BUSH       |
| 320577850 | 5 | SPACER     |
| 320578150 | 1 | SUPPORT    |
| 320578250 | 1 | PIN        |
| 320578350 | 1 | THROTTLE   |
| 320578450 | 1 | PIN        |
| 320578550 | 1 | LEVER LEAD |
| 320578650 | 4 | COUNTER WE |
| 320630050 | 1 | ROD        |
| 320804450 | 1 | ROD        |
| 320804550 | 1 | ROD        |
| 350356135 | 4 | SPRING     |
| 350378425 | 4 | PLUG       |
| 355500715 | 4 | WASHER     |
| 355500910 | 4 | WASHER     |
| 355500915 | 8 | WASHER     |

● 000120356710 (6)

VARIOUS

CONCAVE CONTROL DRIVE

MTB "3000" 3550 AL



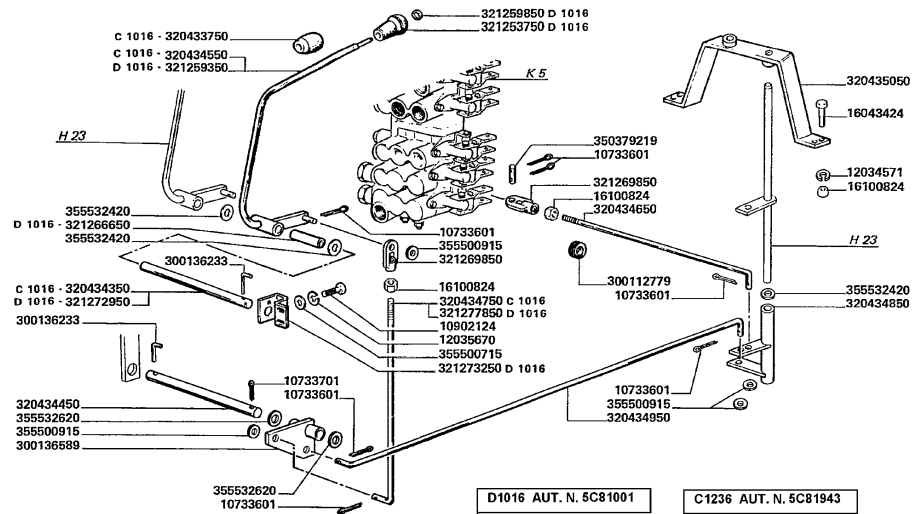
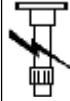
D1016 AUT. N. 5C81001

- 10734304 ● 000107343010 (2) 2 REPLACE
- 10790421 4 NUT
- 10794011 2 NUT
- 10902424 4 SCREW
- 11106224 2 SCREW
- 11255924 4 SCREW
- 11701721 4 NUT
- 12034571 6 LOCK WASHE
- 12034671 10 LOCK WASHE
- 12035571 4 LOCK WASHE
- 12035670 ● 000120356710 (4) 4 LOCK WASHE
- 13272411 2 SCREW
- 15215021 1 SCREW
- 15215121 1 SCREW
- 15896221 4 NUT
- 16043424 3 SCREW
- 16043624 1 SCREW
- 16100824 2 NUT
- 320429550 2 GUIDE
- 320429650 2 PLATE
- 320429750 2 TIE ROD
- 320549750 1 LEVER
- 320599250 1 LEVER
- 320614550 1 PLATE
- 320757950 1 SECTOR
- 320758050 1 SECTOR
- 320758150 2 TIE ROD
- 321254050 2 HANDLE GRI
- 321272650 2 BUTTON
- 321274150 1 LEVER REGU
- 321274250 1 LEVER REGU
- 340415812 2 BUSH

VARIOUS

CUTTING TABLE LIFTING CONTROL

MTB "3000" 3550 AL

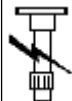


- 10733601
- 10733701
- 10902124
- 12034571
- 12035670
- 16043424
- 16100824
- 300112779
- 300136233
- 300136589
- 320433750
- 320434350
- 320434450
- 320434550
- 320434650
- 320434750
- 320434850
- 320434950
- 320435050
- 321253750
- 321259350
- 321259850
- 321266650
- 321269850
- 321272950
- 321273250
- 321277850
- 350379219
- 355500715
- 355500915
- 355532420
- 355532620
- 7 LINCH PIN
- 1 LINCH PIN
- 2 SCREW
- 4 LOCK WASHE
- 2 LOCK WASHE
- 4 SCREW
- 6 NUT
- 1 GROMMET
- 2 DOWEL
- 1 COUNTER WE
- 1 KNOB
- 1 PIN
- 1 PIN
- 1 LEVER
- 1 TIE ROD
- 1 TIE ROD
- 1 COUNTER WE
- 1 TIE ROD
- 1 SUPPORT
- 1 HANDLE GRI
- 1 LEVER LEAD
- 1 PLUG
- 1 BUSH
- 2 END TIE RO
- 1 PIVOT
- 1 SUPPORT
- 1 TIE ROD
- 1 DOWEL
- 2 WASHER
- 5 WASHER
- 3 WASHER
- 2 WASHER

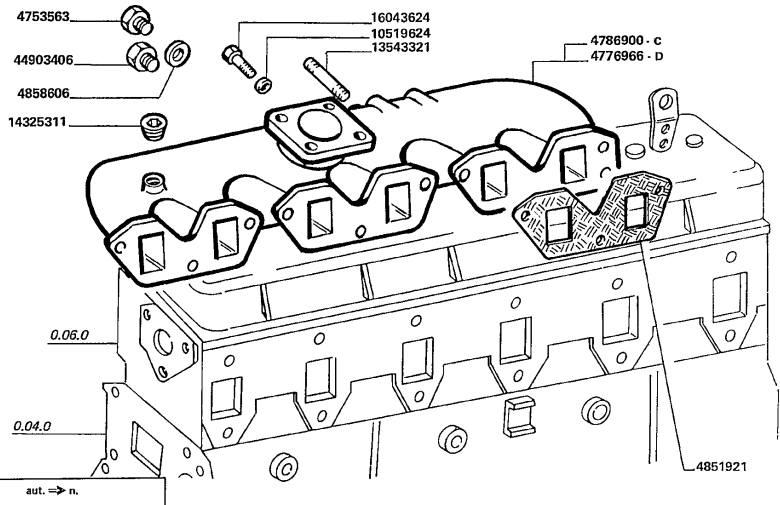
● 000120356710 (2)

VARIOUS

MTB "3000" 3550 AL



INTAKE ELBOW

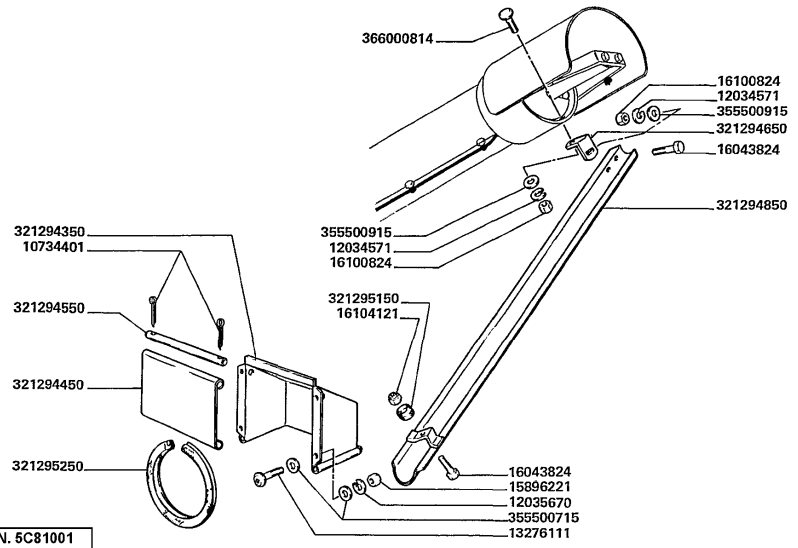
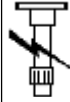


- |          |                    |              |
|----------|--------------------|--------------|
| 10519624 |                    | 9 LOCK WASHE |
| 13543321 |                    | 1 STUD       |
| 14325311 |                    | 1 PLUG       |
| 16043624 |                    | 8 SCREW      |
| 44903406 |                    | 1 PLUG       |
| 4753563  |                    | 1 PLUG       |
| 4776966  | ● 000048586080 (1) | 1 REPLACE    |
|          | 000119031110 (2)   |              |
|          | 000048143460 (2)   |              |
| 4786900  |                    | 1 CONDUIT    |
| 4851921  | ● 005040921090 (3) | 3 GASKET     |
| 4858606  |                    | 1 WASHER     |

VARIOUS

GRAIN INSPECTION DEVICE

MTB "3000" 3550 AL



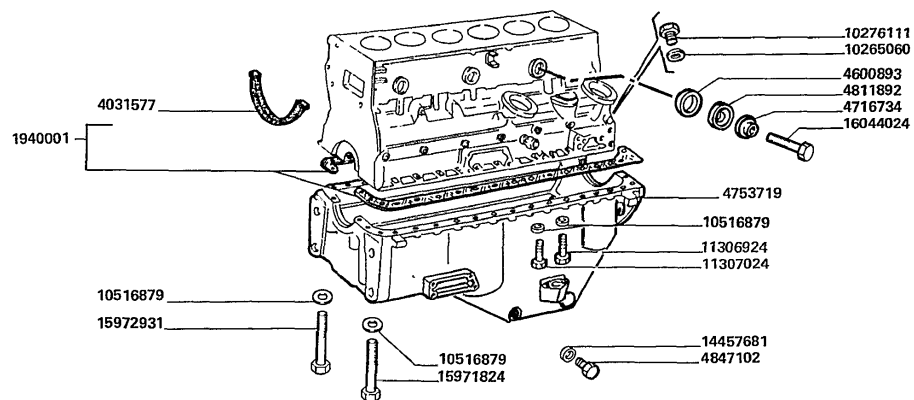
- 10734401
- 12034571
- 12035670
- 13276111
- 15896221
- 16043824
- 16100824
- 16104121
- 321294350
- 321294450
- 321294550
- 321294650
- 321294850
- 321295150
- 321295250
- 355500715
- 355500915
- 366000814
- 000120356710 (4)
- 2 LINCH PIN
- 2 LOCK WASHE
- 4 LOCK WASHE
- 4 SCREW
- 4 NUT
- 2 SCREW
- 2 NUT
- 1 NUT
- 1 BOLT, BANJ
- 1 LID
- 1 DOWEL
- 1 BRACKET, S
- 1 TROUGH
- 1 GROMMET
- 1 GASKET
- 8 WASHER
- 2 WASHER
- 1 SCREW

VARIOUS

MTB "3000" 3550 AL



OIL SUMP

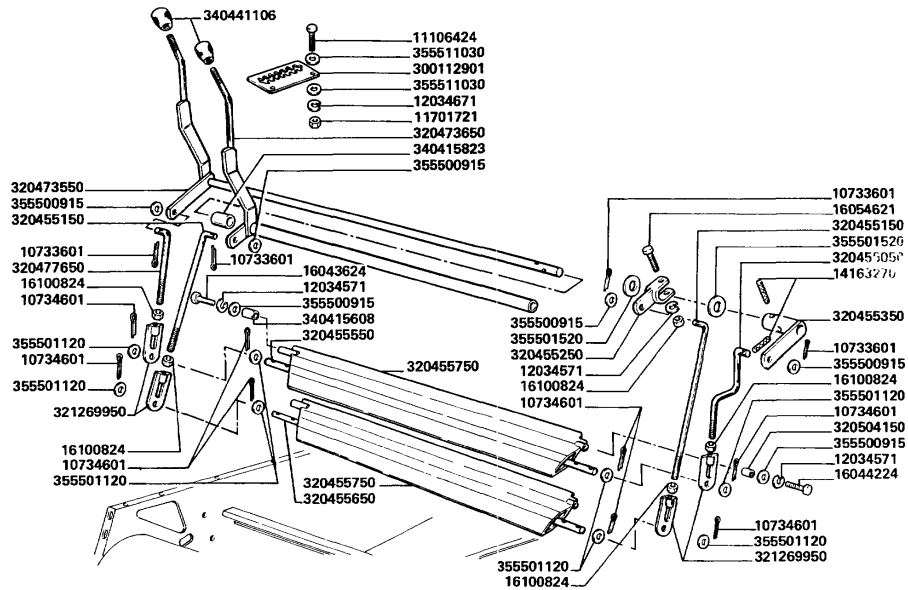
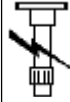


- 10265060
- 10276111 ● 169936110 (1)
- 10516879
- 11306924
- 11307024
- 14457681
- 15971824
- 15972931
- 16044024
- 1940001
- 4031577
- 4600893
- 4716734
- 4753719
- 4811892
- 4847102
- 1 GASKET
- 1 PLUG
- 35 LOCK WASHE
- 6 SCREW
- 22 SCREW
- 2 O-RING
- 6 SCREW
- 1 SCREW
- 1 SCREW
- 1 KIT SEALS
- 1 GASKET
- 1 GASKET
- 1 LOCK WASHE
- 1 OIL CUP
- 1 COVER
- 2 PLUG

VARIOUS

DEFLECTORS FOR FAN HOUSING

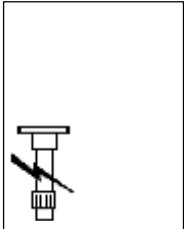
MTB "3000" 3550 AL



- 10733601
- 10734601
- 11106424
- 11701721
- 12034571
- 12034671
- 14163270
- 16043624
- 16044224
- 16054621
- 16100824
- 300112901
- 320455050
- 320455150
- 320455250
- 320455350
- 320455550
- 320455650
- 320455750
- 320473550
- 320473650
- 320477650
- 320504150
- 321269950
- 340415608
- 340415823
- 340441106
- 355500915
- 355501120
- 355501520
- 355511030
- 4 LINCH PIN
- 8 LINCH PIN
- 1 SCREW
- 1 NUT
- 5 LOCK WASHE
- 1 LOCK WASHE
- 2 PLUG
- 2 SCREW
- 2 SCREW
- 2 SCREW
- 5 NUT
- 1 PLATE
- 1 TIE ROD
- 2 TIE ROD
- 1 BRIDLE
- 1 LEVER
- 1 DOWEL
- 1 DOWEL
- 2 DEFLECTOR
- 1 LEVER REGU
- 1 LEVER REGU
- 1 TIE ROD
- 2 SPACER
- 4 END TIE RO
- 2 SPACER
- 1 BUSH
- 2 HANDLE GRI
- 4 WASHER
- 8 WASHER
- 2 WASHER
- 2 WASHER

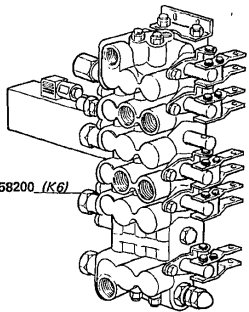
VARIOUS

MTB "3000" 3550 AL



VALVE-CHEST

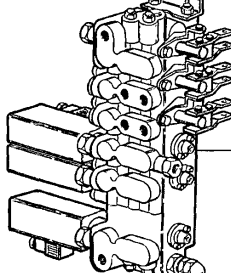
c 1236 - 320558200 (K6)



D1236 AUT. N. 5C81944

16100811  
 12034571  
 355500915  
 16043421

16100811  
 12034571  
 355500915  
 16043421  
 320447050



(K6/1) 322491700 - D 1236

12034571  
 16100811  
 16043421  
 355500915  
 12034571  
 16100811

320446950  
 355500915  
 16043421

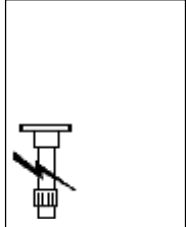
12034571  
 16043421  
 16100811  
 320446950  
 320447050  
 320558200  
 322491700  
 355500915

● 003227376500 (1)

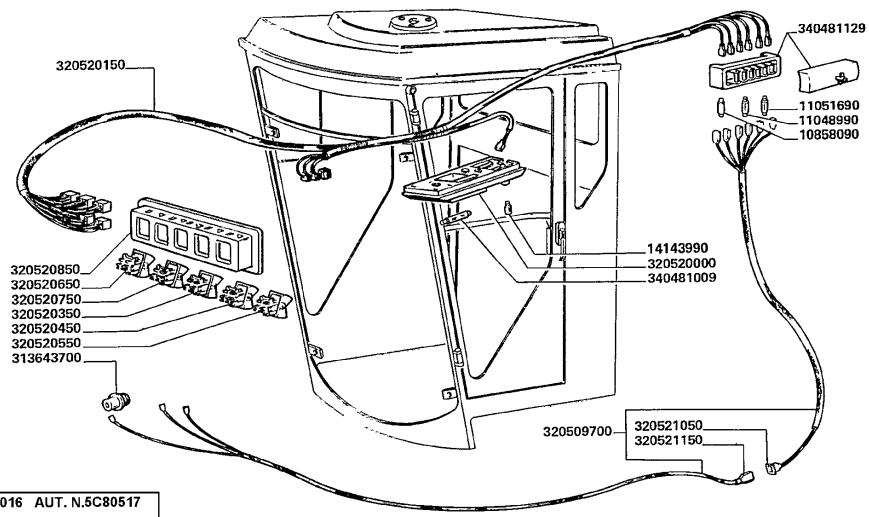
8 LOCK WASHE  
 8 SCREW  
 8 NUT  
 1 SUPPORT  
 1 SUPPORT  
 1 DISTRIBUTO  
 1 DISTRIBUTO  
 8 WASHER

**VARIOUS**

**MTB "3000" 3550 AL**



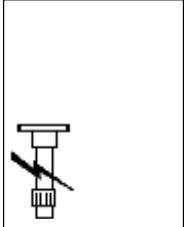
**CABINE ELEMENTS**



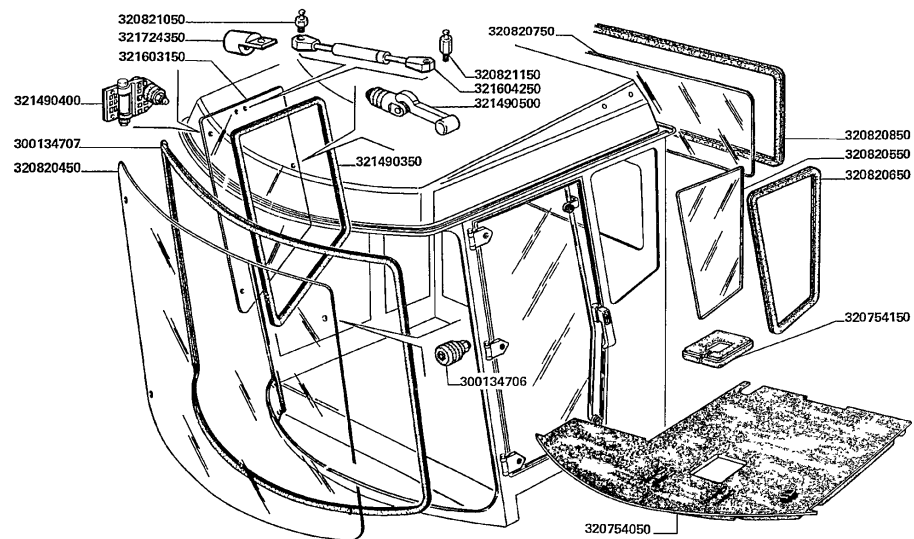
- |           |                    |              |
|-----------|--------------------|--------------|
| 10858090  |                    | 9 VALVE      |
| 11048990  |                    | 1 VALVE      |
| 11051690  |                    | 2 VALVE      |
| 14143990  |                    | 1 LAMPADA    |
| 313643700 | ● 000051481330 (1) | 1 LIGHTER, C |
|           | 000051481310 (1)   |              |
|           | 000051481320 (1)   |              |
| 320509700 |                    | 1 LIGHTER, C |
| 320520000 |                    | 1 LAMP, CEIL |
| 320520150 |                    | 1 SET OF CAB |
| 320520350 |                    | 1 BUTTON     |
| 320520450 |                    | 1 SWITCH     |
| 320520550 |                    | 1 SWITCH     |
| 320520650 |                    | 1 SWITCH     |
| 320520750 |                    | 1 SWITCH     |
| 320520850 |                    | 1 PAN        |
| 320521050 |                    | 1 BLOCK, CON |
| 320521150 |                    | 1 PLUG       |
| 340481009 |                    | 1 LAMPADA    |
| 340481129 |                    | 1 FUSE HOLDE |

**VARIOUS**

**MTB "3000" 3550 AL**



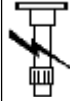
**CABINE ELEMENTS**



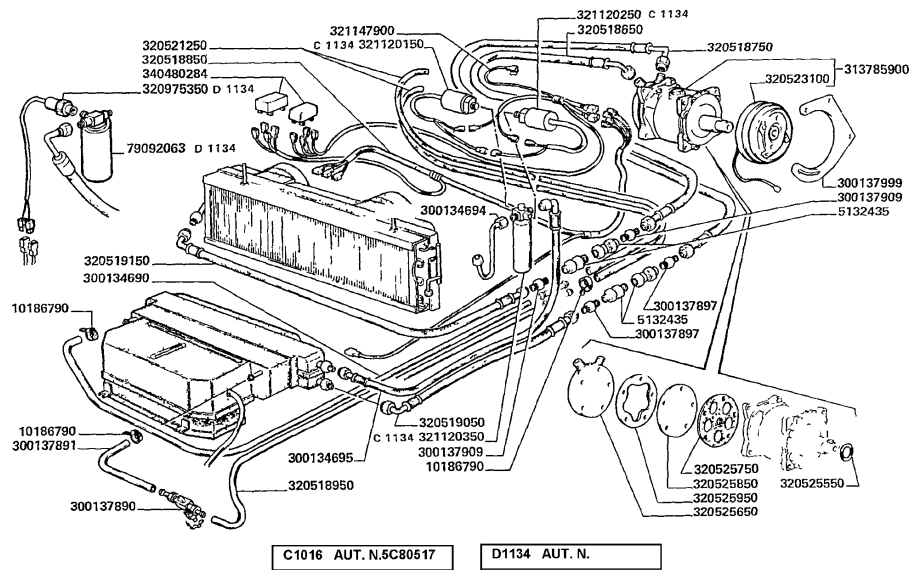
- |           |                    |              |
|-----------|--------------------|--------------|
| 300134706 |                    | 4 SCREW      |
| 300134707 |                    | 1 EXTRUSION  |
| 320754050 |                    | 1 CARPET     |
| 320754150 |                    | 1 COVER      |
| 320820450 |                    | 1 WINDGUARD  |
| 320820550 |                    | 2 GLASS ASSY |
| 320820650 |                    | 2 EXTRUSION  |
| 320820750 | ● 003205249500 (1) | 1 WINDGUARD  |
| 320820850 |                    | 1 EXTRUSION  |
| 320821050 | ● 003228087580 (1) | 1 REPLACE    |
| 320821150 |                    | 1 BALL JOINT |
| 321490350 |                    | 1 EXTRUSION  |
| 321490400 |                    | 3 HINGE      |
| 321490500 |                    | 1 HANDLE     |
| 321603150 |                    | 1 GLASS ASSY |
| 321604250 | ● 003228087600 (1) | 1 SHOCK ABSO |
| 321724350 |                    | 1 SUPPORT    |

VARIOUS

MTB "3000" 3550 AL



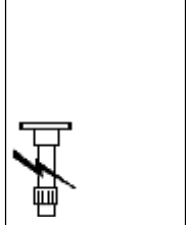
CABINE ELEMENTS (CONTIDIONED)



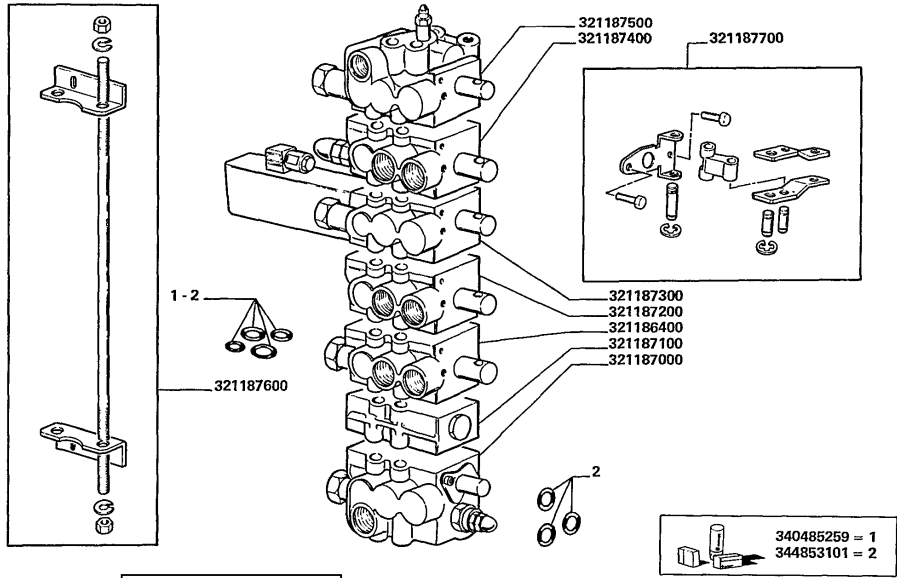
- |           |  |              |
|-----------|--|--------------|
| 10186790  |  | 8 COLLAR     |
| 300134690 |  | 1 HOSE       |
| 300134694 |  | 1 HOSE       |
| 300134695 |  | 1 HOSE       |
| 300137890 |  | 1 DRAINCOCK/ |
| 300137891 |  | 1 HOSE       |
| 300137897 |  | 2 UNION      |
| 300137909 |  | 2 UNION      |
| 300137999 |  | 2 STIRRUP    |
| 313785900 | ● 003223332000 (1)                     | 1 COMPRESSOR |
| 320518650 |  | 1 HOSE       |
| 320518750 |  | 1 HOSE       |
| 320518850 |  | 1 SET OF CAB |
| 320518950 |  | 1 HOSE       |
| 320519050 |  | 1 HOSE       |
| 320519150 |  | 1 HOSE       |
| 320521250 |  | 2 PIPE       |
| 320523100 |  | 1 PULLEY     |
| 320525550 | ● N.A. (1)                             | 1 GASKET     |
| 320525650 |  | 1 COVER      |
| 320525750 |  | 1 GASKET     |
| 320525850 |  | 1 WASHER     |
| 320525950 |  | 1 GASKET     |
| 320975350 | ● 004301217500 (1)<br>000099684340 (1) | 1 BUTTON     |
| 321120150 |  | 1 THERMOSTAT |
| 321120250 |  | 1 THERMOSTAT |
| 321120350 | ● 000790920630 (1)<br>004301217500 (1) | 1 REPLACE    |
| 321147900 |  | 1 WIRE/CABLE |

VARIOUS

MTB "3000" 3550 AL



VALVE-CHEST ELEMENTS

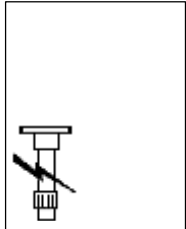


C1236 AUT. N. 5C81943

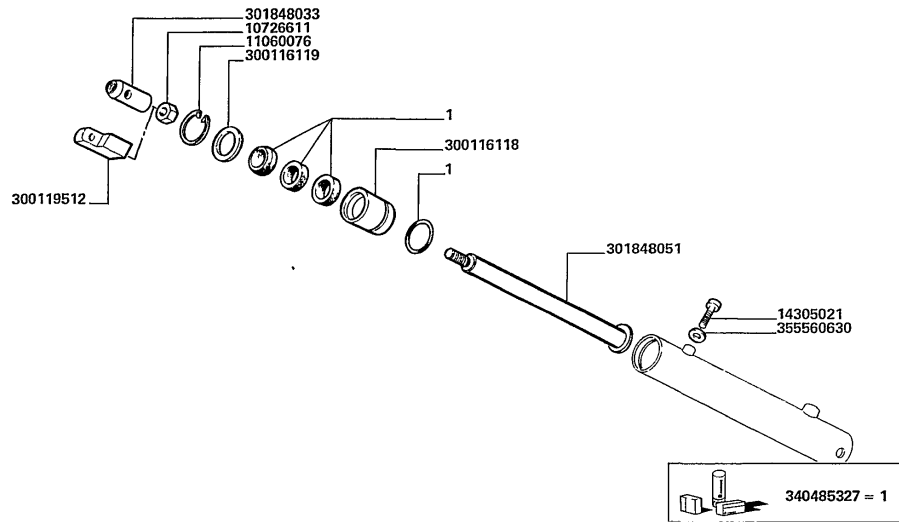
- 321186400 1 BODY
- 321187000 1 BODY
- 321187100 1 BODY
- 321187200 1 BODY
- 321187300 1 BODY
- 321187400 1 BODY
- 321187500 1 BODY
- 321187600 1 KIT, MISC
- 321187700 1 KIT, MISC
- 340485259 1 KIT SEALS
- 344853101 1 KIT SEALS

VARIOUS

MTB "3000" 3550 AL



RAMS ELEMENTS CUTTING TABLE CONTROL



- |           |                    |              |
|-----------|--------------------|--------------|
| 10726611  | ● 000004126240 (1) | 1 NUT        |
| 11060076  |                    | 1 SPRING LOC |
| 14305021  |                    | 1 SCREW      |
| 300116118 |                    | 1 HEAD       |
| 300116119 | ● N.A. (1)         | 1 WASHER     |
| 300119512 |                    | 1 END STEM   |
| 301848033 |                    | 1 END STEM   |
| 301848051 |                    | 1 STEM       |
| 340485327 |                    | 1 KIT SEALS  |
| 355560630 |                    | 1 WASHER     |

VARIOUS

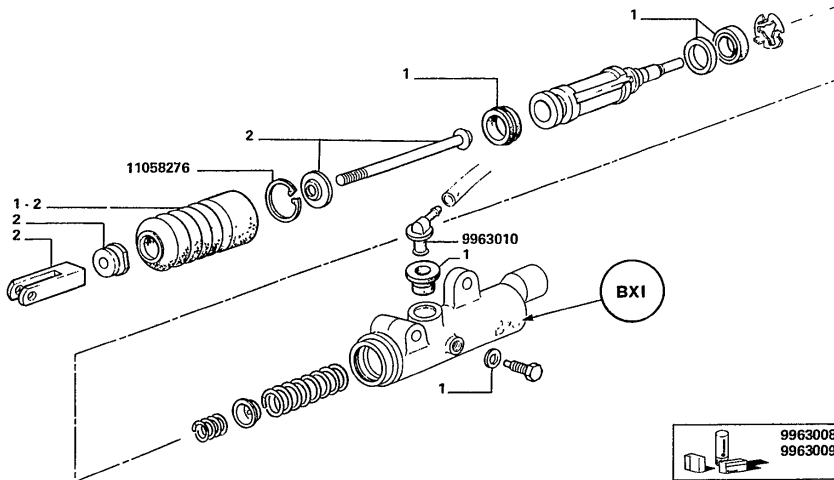
BRAKE PUMP ELEMENTS 320845700) - BENDITA

MTB "3000" 3550 AL



11058276  
9963008  
9963009  
9963010

1 SPRING LOC  
1 KIT, MISC  
1 KIT, MISC  
1 UNION

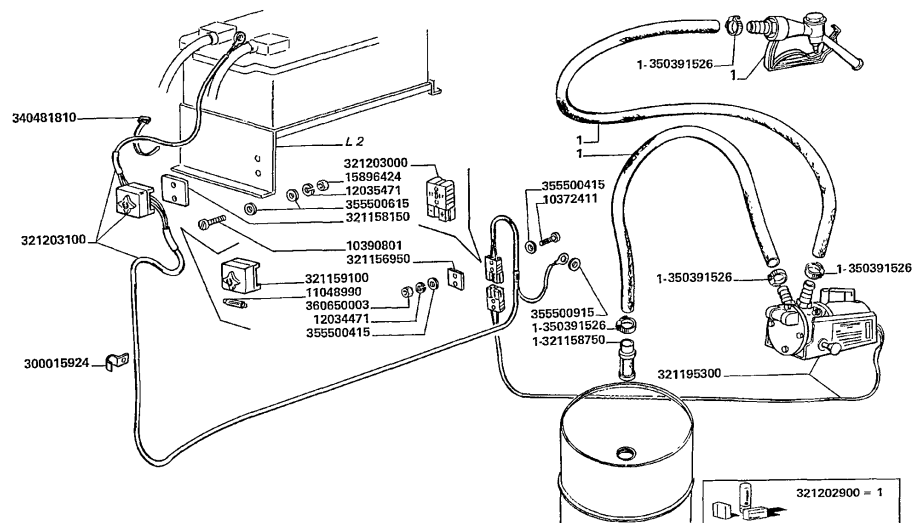
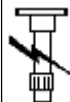


9963008 = 1  
9963009 = 2

VARIOUS

ELECT. PUMP FOR FUEL FILLING

MTB "3000" 3550 AL

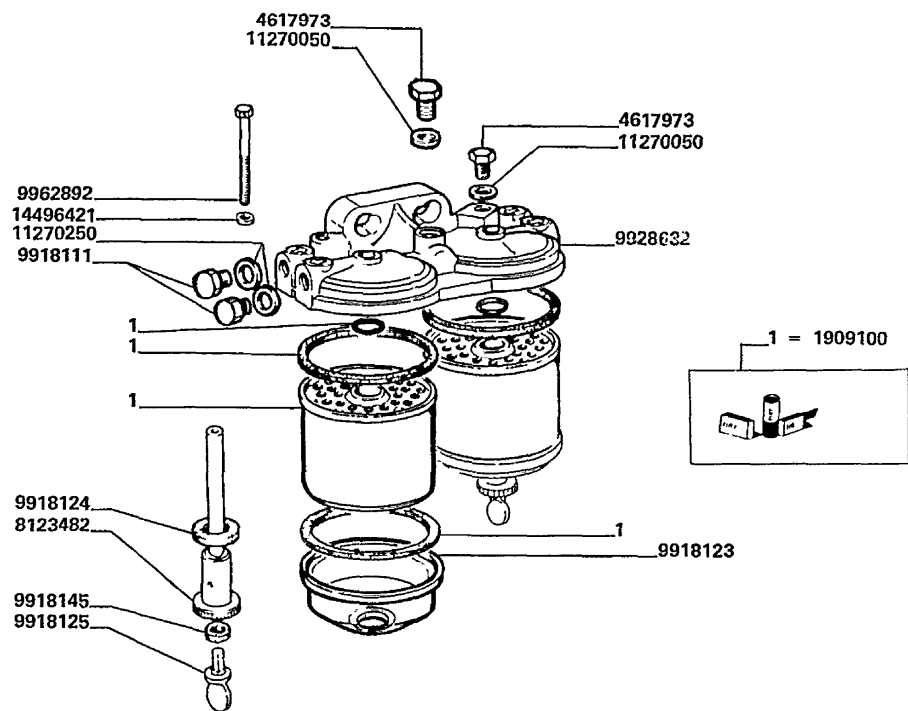


- 10372411
- 10390801
- 11048990
- 12034471
- 12035471
- 15896424
- 300015924
- 321156950
- 321158150
- 321158750
- 321159100
- 321195300
- 321202900
- 321203000
- 321203100
- 340481810
- 350391526
- 355500415
- 355500615
- 355500915
- 360650003
- 000158964110 (2)
- 2 SCREW
- 2 SCREW
- 1 VALVE
- 2 LOCK WASHE
- 2 LOCK WASHE
- 2 NUT
- 5 CLAW
- 1 PLATE
- 1 PLATE
- 1 FILTER
- 1 FUSE HOLDE
- 1 PUMP, ELEC
- 1 KIT PUMP
- 1 SOCKET
- 1 WIRE/CABLE
- 10 CLAMP
- 4 CLAMP
- 4 WASHER
- 4 WASHER
- 2 WASHER
- 2 NUT

VARIOUS

FUEL FILTER 4612230

MTB "3000" 3550 AL

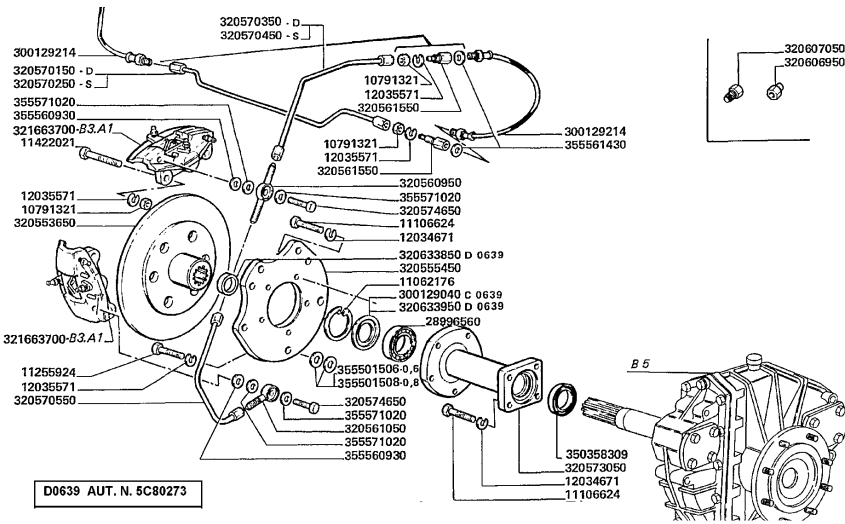
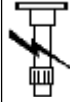


- |          |                    |              |
|----------|--------------------|--------------|
| 11270050 |                    | 3 LOCK WASHE |
| 11270250 |                    | 2 GASKET     |
| 14496421 | ● 000144964310 (2) | 2 REPLACE    |
| 1909100  |                    | 2 FILTER, EL |
| 4617973  |                    | 3 BOLT, BANJ |
| 8123482  |                    | 2 PROP       |
| 9918111  |                    | 2 PLUG       |
| 9918123  | ● 000818714790 (2) | 2 PAN        |
| 9918124  |                    | 2 LOCK WASHE |
| 9918125  |                    | 2 SCREW      |
| 9918145  |                    | 2 RING       |
| 9928632  |                    | 1 COVER      |
| 9962892  |                    | 2 SCREW      |

VARIOUS

BRAKES ON FINAL DRIVE (NORMAL WHEEL TRAC)

MTB "3000" 3550 AL



- |           |               |
|-----------|---------------|
| 10791321  | 8 NUT         |
| 11062176  | 2 SPRING LOC  |
| 11106624  | 18 SCREW      |
| 11255924  | 6 SCREW       |
| 11422021  | 8 SCREW       |
| 12034671  | 18 LOCK WASHE |
| 12035571  | 22 LOCK WASHE |
| 28996560  | 2 BEARING     |
| 300129040 | 2 PROTECTION  |
| 300129214 | 4 HOSE        |
| 320553650 | 2 BRAKE DISC  |
| 320555450 | 2 PLATE       |
| 320560950 | 2 UNION       |
| 320561050 | 2 UNION       |
| 320561550 | 8 UNION       |
| 320570150 | 1 PIPE        |
| 320570250 | 1 PIPE        |
| 320570350 | 1 BRAKE LINE  |
| 320570450 | 1 BRAKE LINE  |
| 320570550 | 2 BRAKE LINE  |
| 320573050 | 2 BRAKE CARR  |
| 320574650 | 4 SCREW       |
| 320606950 | 2 PLUG        |
| 320607050 | 2 PLUG        |
| 320633850 | 2 SPACER      |
| 320633950 | 2 WASHER      |
| 321663700 | 4 BRAKE CALI  |
| 350358309 | 2 GASKET      |
| 355501506 | 8 WASHER      |
| 355501508 | 9 WASHER      |
| 355560930 | 4 WASHER      |
| 355561430 | 8 WASHER      |
| 355571020 | 8 WASHER      |

CLICK HERE TO **DOWNLOAD** THE COMPLETE MANUAL

- Thank you very much for reading the preview of the manual.
- You can download the complete manual from: [www.heydownloads.com](http://www.heydownloads.com) by clicking the link below



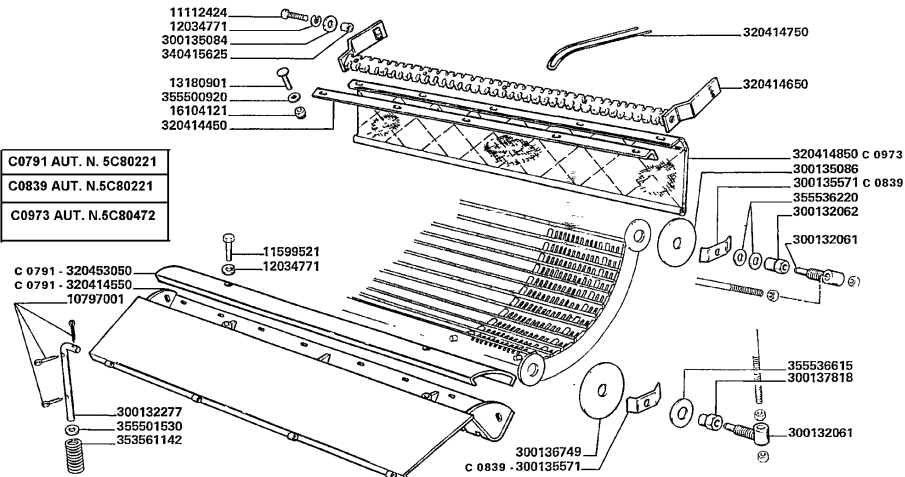
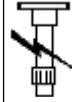
- Please note: If there is no response to CLICKING the link, please download this PDF first and then click on it.

CLICK HERE TO **DOWNLOAD** THE COMPLETE MANUAL

VARIOUS

CONVEYING AND CONCAVE RAKE

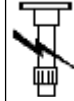
MTB "3000" 3550 AL



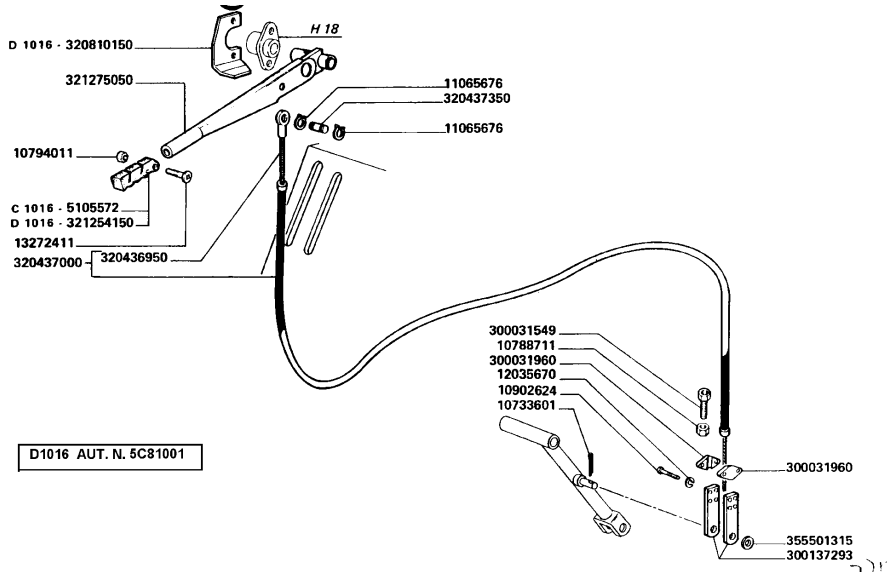
- 10797001
- 11112424
- 11599521
- 12034771
- 13180901
- 16104121
- 300132061
- 300132062
- 300132277
- 300135084
- 300135086
- 300135571
- 300136749
- 300137818
- 320414450
- 320414550
- 320414650
- 320414750
- 320414850
- 320414850 c 0973
- 300135086
- 300135571 c 0839
- 355536220
- 300132062
- 300132061
- 11599521
- 12034771
- c 0791 - 320453050
- c 0791 - 320414550
- 10797001
- 300132277
- 355501530
- 353561142
- 300136749
- c 0839 - 300135571
- 355536615
- 300137818
- 300132061
- 000155404210 (5)
- 003206459500 (5)
- 000161015110 (5)
- 003503425110 (5)
- 000120347710 (1)
- 003208456500 (1)
- 003555013300 (1)
- 000161041110 (5)
- 003206457500 (5)
- 12 LINCH PIN
- 2 SCREW
- 2 SCREW
- 4 LOCK WASHE
- 5 SCREW
- 5 NUT
- 4 PIN
- 2 NUT
- 3 DOWEL
- 2 WASHER
- 2 WASHER
- 4 SPRING
- 2 WASHER
- 2 NUT
- 1 ANGULAR
- 1 CONVEYING
- 1 RAKE
- 23 TINE
- 1 REPLACE
- 1 PANEL
- 2 BUSH
- 3 SPRING
- 5 WASHER
- 3 WASHER
- 2 WASHER

VARIOUS

MTB "3000" 3550 AL



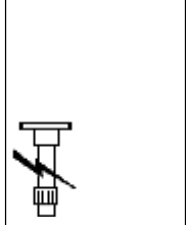
REVERSER



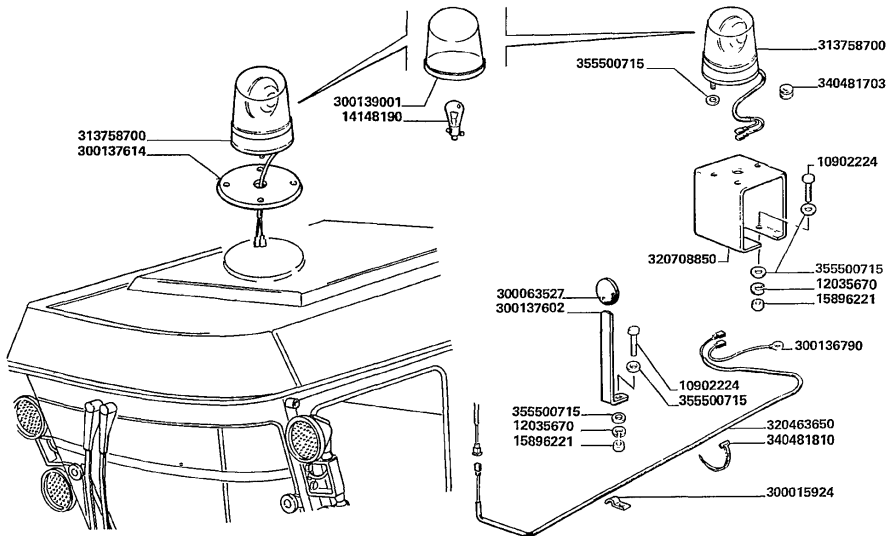
- |           |                    |              |
|-----------|--------------------|--------------|
| 10733601  |                    | 1 LINCH PIN  |
| 10788711  | ● 000107887140 (1) | 1 NUT        |
| 10794011  |                    | 1 NUT        |
| 10902624  |                    | 4 SCREW      |
| 11065676  |                    | 2 SPRING LOC |
| 12034871  |                    | 1 LOCK WASHE |
| 12035670  | ● 000120356710 (4) | 4 LOCK WASHE |
| 13272411  |                    | 1 SCREW      |
| 300015476 |                    | 1 WASHER     |
| 300031549 |                    | 1 SCREW      |
| 300031960 |                    | 4 ELEMENT    |
| 300137293 |                    | 2 PLATE      |
| 320436950 |                    | 1 ROPE       |
| 320437000 |                    | 1 CABLE      |
| 320437350 |                    | 1 PIN        |
| 320810150 |                    | 1 RETAINER   |
| 321254150 | ● 003234115500 (1) | 1 HANDLE GRI |
| 321275050 |                    | 1 LEVER      |
| 355501315 |                    | 1 WASHER     |
| 355501330 |                    | 1 WASHER     |
| 5105572   |                    | 1 HANDLE GRI |

VARIOUS

MTB "3000" 3550 AL



YELLOW BEACON LIGHT WITH CAB

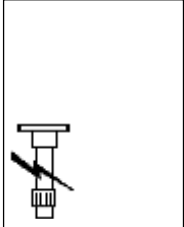


- 10902224
- 12035670 ● 000120356710 (4)
- 14148190
- 15896221
- 300015924
- 300063527 ● 003234156505 (1)
- 300136790
- 300137602
- 300137614
- 300139001 ● 000790704890 (1)
- 313758700 ● 003137415000 (2)
- 320463650
- 320708850
- 340481703
- 340481703
- 340481810
- 355500715
- 4 SCREW
- 4 LOCK WASHE
- 1 LAMPADA
- 4 NUT
- 6 CLAW
- 1 KNOB
- 1 EARTH WIRE
- 1 SUPPORT
- 1 DISC
- 1 REPLACE
- 2 LAMPADA
- 1 WIRE/CABLE
- 1 BRACKET PL
- 3 GROMMET
- 6 CLAMP
- 14 WASHER

C 1016 aut. ← n. 5C80517

VARIOUS

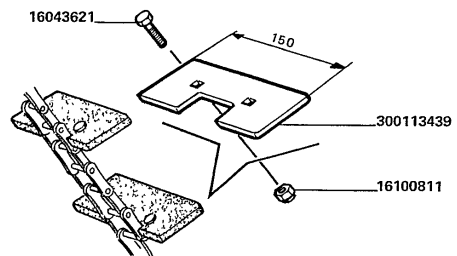
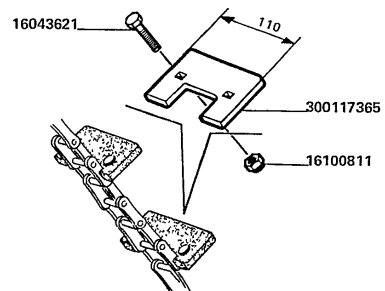
MTB "3000" 3550 AL



ELEVATOR CLEANING BLADES

16043621  
16100811  
300113439  
300117365

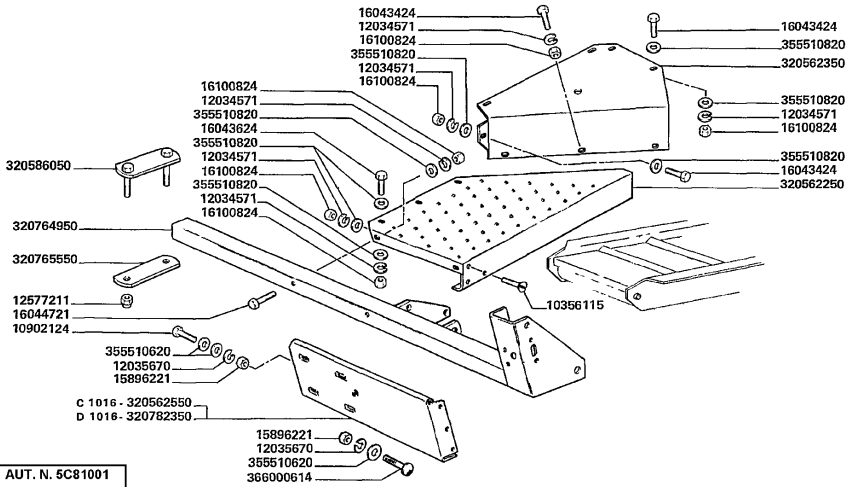
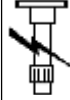
0 SCREW  
0 NUT  
2 PADDLE  
2 PADDLE



VARIOUS

LADDER PLATFORM (NORMAL WHEEL TRACK)

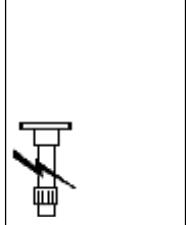
MTB "3000" 3550 AL



D1016 AUT. N. 5C81001

- |           |                    |    |            |
|-----------|--------------------|----|------------|
| 10356115  |                    | 3  | SCREW      |
| 10902124  |                    | 1  | SCREW      |
| 12034571  |                    | 16 | LOCK WASHE |
| 12035670  | ● 000120356710 (3) | 3  | LOCK WASHE |
| 12577211  |                    | 6  | NUT        |
| 15896221  |                    | 3  | NUT        |
| 16043424  |                    | 8  | SCREW      |
| 16043624  |                    | 3  | SCREW      |
| 16044721  |                    | 2  | SCREW      |
| 16100824  |                    | 16 | NUT        |
| 320562250 |                    | 1  | FLOOR      |
| 320562350 |                    | 1  | SHIELD     |
| 320562550 |                    | 1  | SHIELD     |
| 320586050 |                    | 3  | BRIDLE     |
| 320764950 |                    | 1  | BEAM       |
| 320765550 |                    | 3  | RETAINING  |
| 320782350 |                    | 1  | SHIELD     |
| 355510620 | ● 003555106150 (3) | 3  | WASHER     |
| 355510820 |                    | 20 | WASHER     |
| 366000614 |                    | 2  | SCREW      |

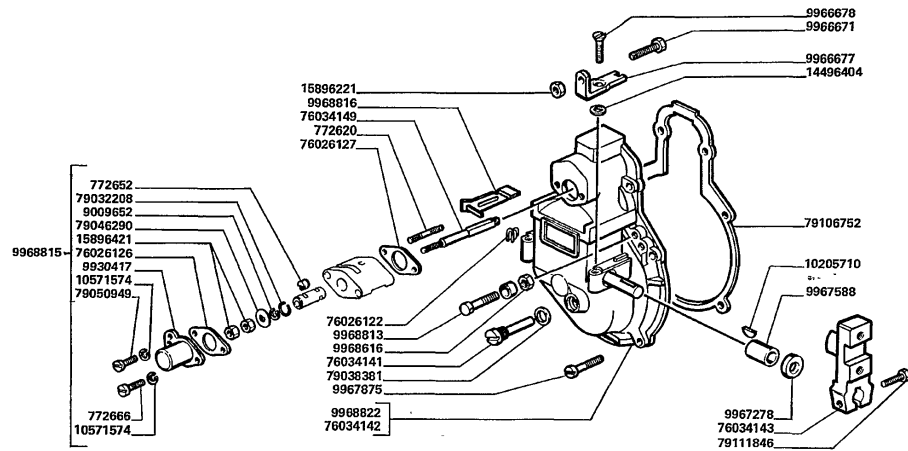
VARIOUS



INJECTION PUMP ( BOSCH )

MTB "3000" 3550 AL

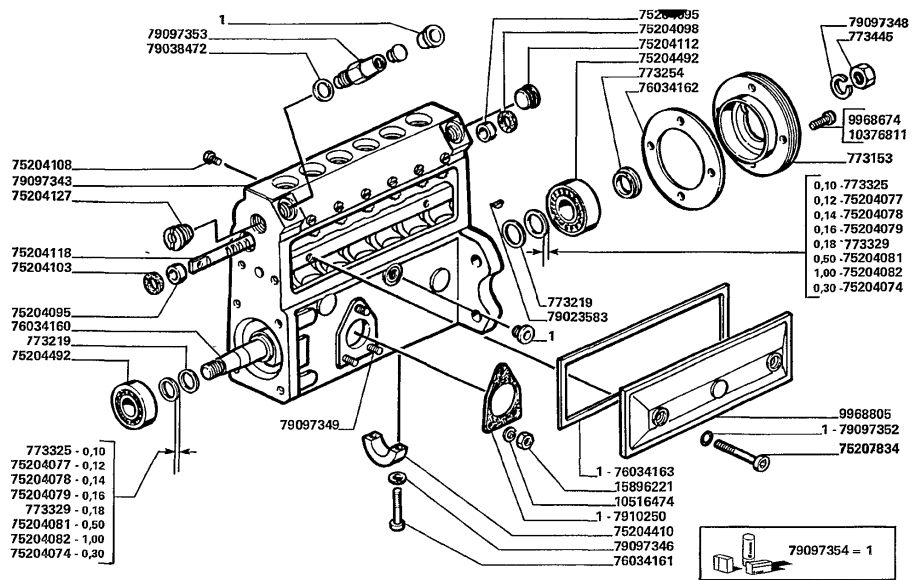
- 9967875 6
- 9968616 ● 000099678740 (1) 1 REPLACE
- 9968813 1 SCREW
- 9968815 1 CLIP
- 9968816 1 CLAMP
- 9968822 1 COVER



VARIOUS

INJECTION PUMP (BOSCH)

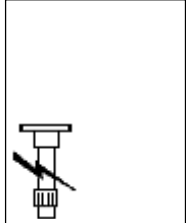
MTB "3000" 3550 AL



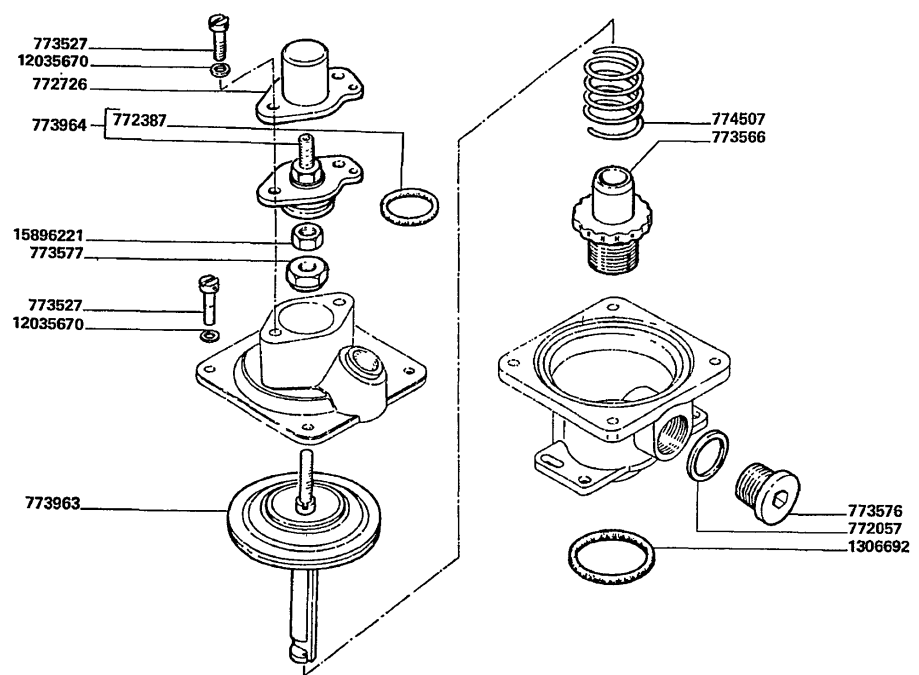
- 79023583
  - 79023644
  - 79038472
  - 79097343
  - 79097346
  - 79097348
  - 79097349
  - 79097352
  - 79097353
  - 79097354
  - 79102504
  - 9966702
  - 9967277
  - 9968674
  - 9968805
- 1 KEY
  - 4 LOCK WASHE
  - 1 GASKET
  - 1 GASKET
  - 2 GASKET
  - 1 GASKET
  - 3 GASKET
  - 2 GASKET
  - 1 VALVE
  - 1 VALVE
  - 1 GASKET
  - 1 BUSH
  - 1 SHAFT
  - 4 SHAFT
  - 1 COVER

VARIOUS

MTB "3000" 3550 AL



INJECTION PUMP

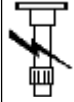


- 12035670 ● 000120356710 (16) 16 LOCK WASHE
- 1306692 1 GASKET
- 15896221 6 NUT
- 772057 ● 000007224410 (1) 1 REPLACE
- 772387 ● 000790384510 (1) 1 REPLACE
- 772726 ● 000790334490 (1) 1 REPLACE
- 773527 ● 000790334470 (6) 6 REPLACE
- 773566 ● 000790334580 (1) 1 REPLACE
- 773576 1 PLUG
- 773577 1 NUT
- 773963 ● 000760308470 (1) 1 REPLACE
- 773964 ● 000790462500 (1) 1 REPLACE
- 774420 2 SPRING
- 774507 1 SPRING
- 79023583 1 KEY

VARIOUS

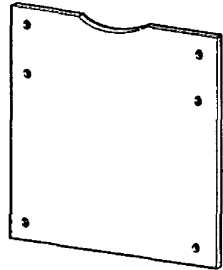
NUMBER PLATE HOLDER

MTB "3000" 3550 AL

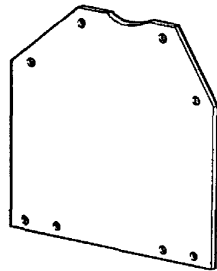


300112960  
300112961

1 NUMBERPLAT  
1 NUMBERPLAT



300112960

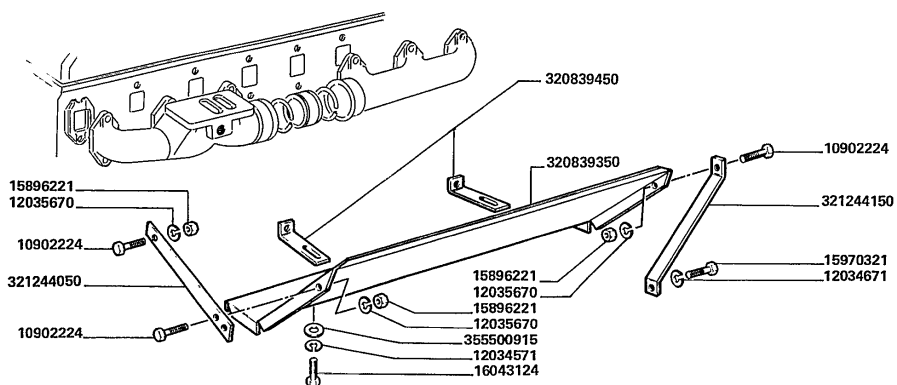


300112961

VARIOUS

EXHAUST MANIFOLD GUARD

MTB "3000" 3550 AL



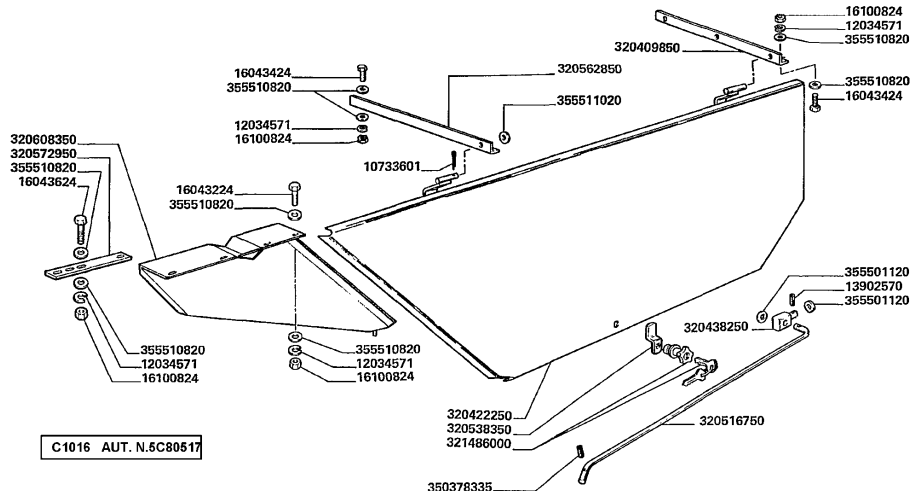
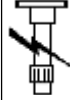
D 0825 aut. => n. 5C80473

- |           |   |            |
|-----------|---|------------|
| 10902224  | 3 | SCREW      |
| 12034571  | 2 | LOCK WASHE |
| 12034671  | 1 | LOCK WASHE |
| 12035670  | 3 | LOCK WASHE |
| 15896221  | 3 | NUT        |
| 15970321  | 1 | SCREW      |
| 16043124  | 2 | SCREW      |
| 320839350 | 1 | SHIELD     |
| 320839450 | 2 | BRACKET, S |
| 321244050 | 1 | REINFORCEM |
| 321244150 | 1 | REINFORCEM |
| 355500915 | 2 | WASHER     |

VARIOUS

STRAW WALKER AND TRASMISSION (REDUCED WH

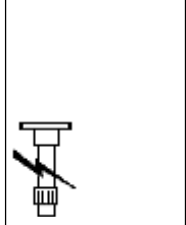
MTB "3000" 3550 AL



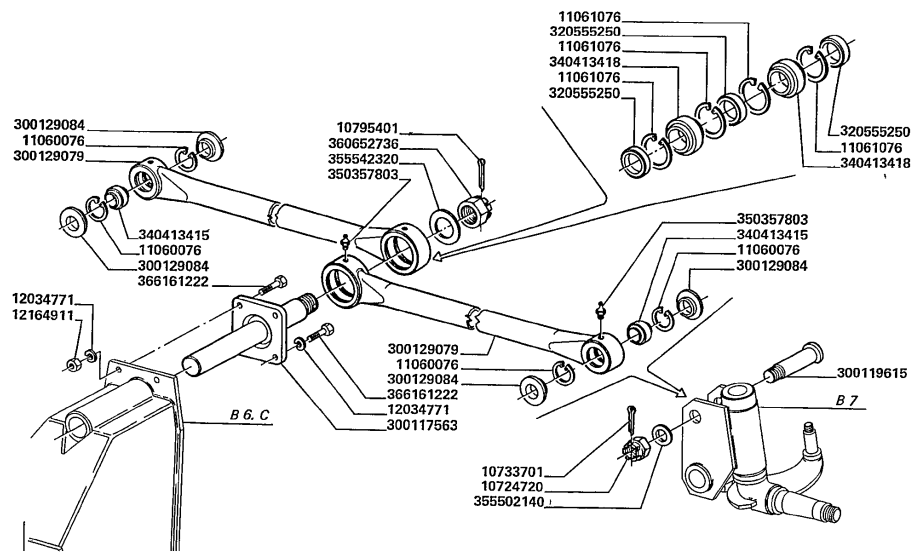
- 10733601
- 12034571
- 13902570
- 16043224
- 16043424
- 16043624
- 16100824
- 320409850
- 320422250
- 320438250
- 320516750
- 320538350
- 320562850
- 320572950
- 320608350
- 321486000 ● 003215707000 (1)
- 350378335
- 355501120
- 355510820
- 355511020
- 2 LINCH PIN
- 11 LOCK WASHE
- 1 DOWEL
- 3 SCREW
- 4 SCREW
- 4 SCREW
- 11 NUT
- 1 SUPPORT
- 1 SHIELD
- 1 BALL JOINT
- 1 ROD
- 1 BRACKET, S
- 1 SUPPORT
- 1 BASE PLATE
- 1 SHIELD
- 1 HANDWHEEL
- 1 PLUG
- 3 WASHER
- 22 WASHER
- 2 WASHER

VARIOUS

MTB "3000" 3550 AL



TRACK ROD FOR REAR AXLE



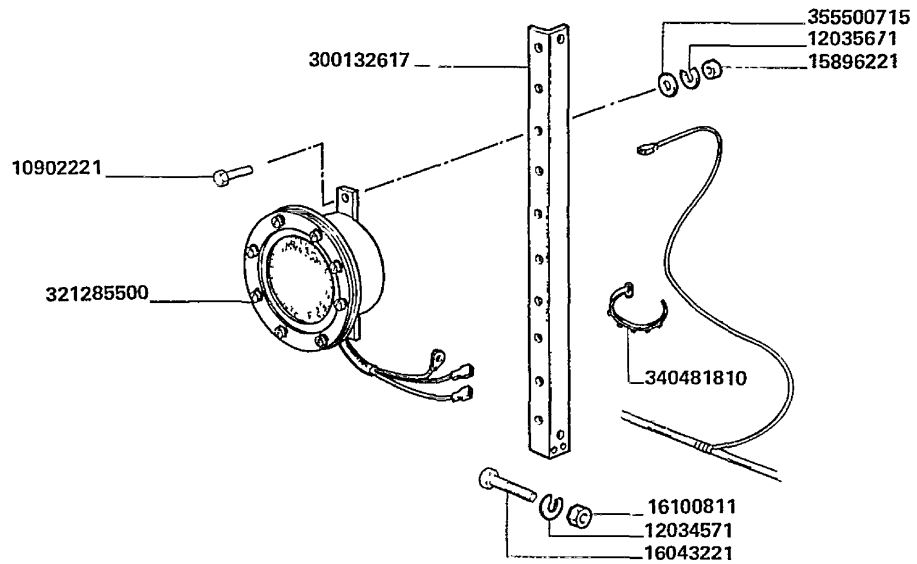
- 10724720
  - 10733701
  - 10795401
  - 11060076
  - 11061076
  - 12034771
  - 12164911
  - 300117563
  - 300119615
  - 300129079
  - 300129084
  - 320555250
  - 340413415
  - 340413418
  - 350357803
  - 355502140
  - 355542320
  - 360652736
  - 366161222
- 2 NUT
  - 2 LINCH PIN
  - 1 LINCH PIN
  - 4 SPRING LOC
  - 4 SPRING LOC
  - 4 LOCK WASHE
  - 2 NUT
  - 1 PIN
  - 2 PIN
  - 2 STRUT
  - 4 SPACER
  - 3 SPACER
  - 2 BALL JOINT
  - 2 BALL JOINT
  - 4 NIPPLE, LU
  - 2 WASHER
  - 1 WASHER
  - 1 NUT
  - 4 SCREW

● 003229376500 (1)

VARIOUS

GRAIN TANK EXTENSION

MTB "3000" 3550 AL

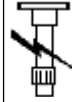


- 10902221
- 12034571
- 12035671
- 16043221
- 16100811
- 300132617
- 321285500
- 355500715

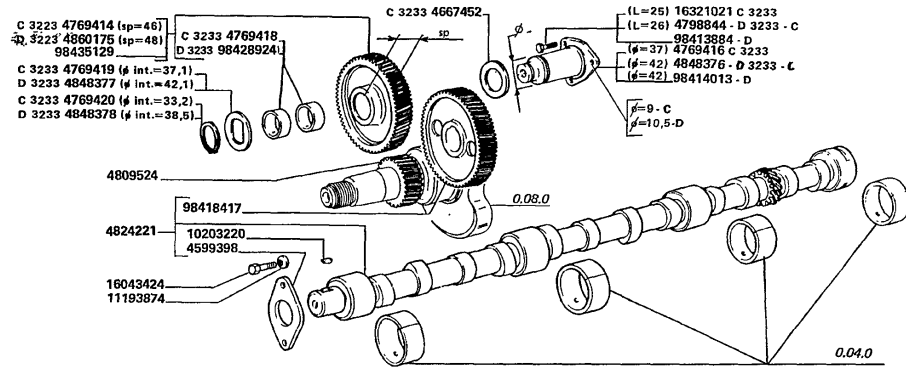
- 54 SCREW
- 16 LOCK WASHE
- 44 LOCK WASHE
- 10 SCREW
- 10 NUT
- 1 ANGULAR
- 1 SENSOR
- 4 WASHER

VARIOUS

MTB "3000" 3550 AL



DRIVE-GEARING



D 3223

- 10203220
- 11193874
- 16043424
- 16321021
- 4599398
- 4667452
- 4769414
- 4769416
- 4769418
- 4769419
- 4769420
- 4798844
- 4809524
- 4824221
- 4848376
- 4848377
- 4848378
- 98413884
- 98414013
- 98418417
- 98428924
- 98435129

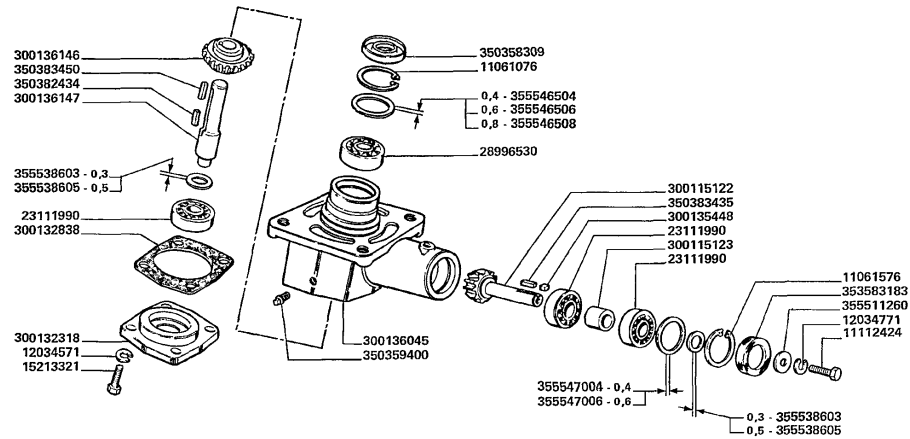
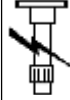
● N.A. (1)

- 1 KEY
- 2 LOCK WASHE
- 2 SCREW
- 3 SCREW
- 1 PLATE
- 1 LOCK WASHE
- 1 GEAR
- 1 PIN
- 2 BUSH
- 1 LOCK WASHE
- 1 RING
- 3 SCREW
- 1 GEAR
- 1 SHAFT
- 1 PIN
- 1 LOCK WASHE
- 1 RING
- 3 SCREW
- 1 PIN
- 1 GEAR
- 2 BUSH
- 1 GEAR

VARIOUS

UPRIGHT AUGER DRIVE GEARBOX 313604500

MTB "3000" 3550 AL

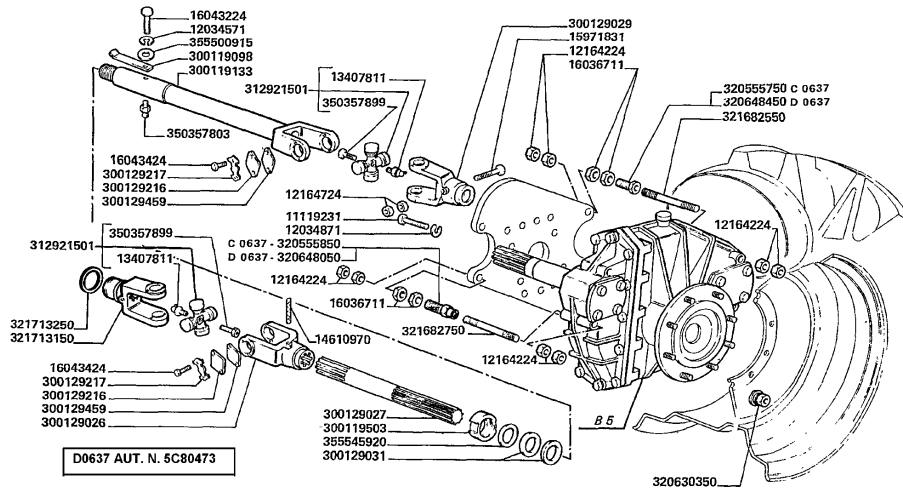


- 11061076 1 SPRING LOC
- 11061576 1 SPRING LOC
- 11112424 1 SCREW
- 12034571 4 LOCK WASHE
- 12034771 1 LOCK WASHE
- 15213321 4 SCREW
- 23111990 3 BEARING
- 28996530 1 BEARING
- 300115122 1 PINION
- 300115123 1 SPACER
- 300132318 1 COVER BOX
- 300132838 ● 003217429500 (1) 1 GASKET
- 300135448 1 GASKET
- 300136045 1 BOX
- 300136146 1 PINION
- 300136147 1 SHAFT
- 350358309 1 GASKET
- 350359400 2 PLUG
- 350382434 1 KEY
- 350383435 1 KEY
- 350383450 1 KEY
- 353583183 1 GASKET
- 355511260 1 WASHER
- 355538603 2 WASHER
- 355538605 2 WASHER
- 355546504 1 WASHER
- 355546506 1 WASHER
- 355546508 ● 003555465040 (1) 1 WASHER
- 355547004 1 WASHER
- 355547006 1 WASHER

VARIOUS

HALF-SHAFT AND FINAL DRIVES (REDUCED WHE

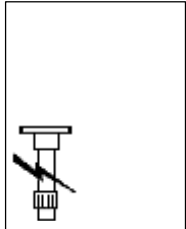
MTB "3000" 3550 AL



- 11119231
- 12034571
- 12034871
- 12164224
- 12164724
- 13407811
- 14610970
- 15971831
- 16036711
- 16043224
- 16043424
- 300119098
- 300119133
- 300119503
- 300129026
- 300129027
- 300129029
- 300129031
- 300129216
- 300129217
- 300129459
- 312921501
- 320555750
- 320555850
- 320630350
- 320648050
- 321682550
- 321682750
- 321713150
- 321713250
- 350357803
- 350357899
- 355500915
- 355545920
- 300129027
- 300119503
- 300129026
- 300129027
- 300119503
- 355545920
- 300129031
- 24 SCREW
- 2 LOCK WASHE
- 24 LOCK WASHE
- 32 0 - MANCA
- 4 NUT
- 1 NIPPLE, LU
- 2 PLUG
- 2 SCREW
- 16 NUT
- 2 SCREW
- 32 SCREW
- 2 BLADE CUTT
- 2 AXLE-RING
- 2 FERRULE
- 2 YOKE
- 2 HALFSHAFT
- 2 YOKE
- 4 FELT
- 16 PLATE
- 16 PLATE
- 16 SHIM
- 4 SPIDER
- 4 SPACER
- 4 SPACER
- 16 NUT
- 4 BUSH
- 4 SPACER
- 4 STUD
- 4 STUD
- 2 YOKE
- 2 SPACER
- 2 NIPPLE, LU
- 1 VALVE
- 2 WASHER

VARIOUS

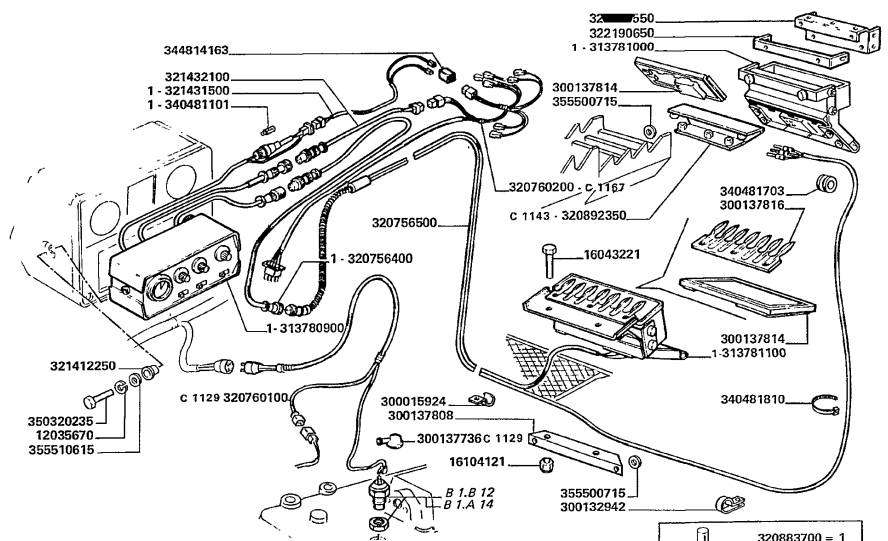
MTB "3000" 3550 AL



GRAIN LOSS SENSORS (DICKEY JOHN)

355500715  
355510615

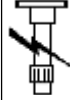
7 WASHER  
2 WASHER



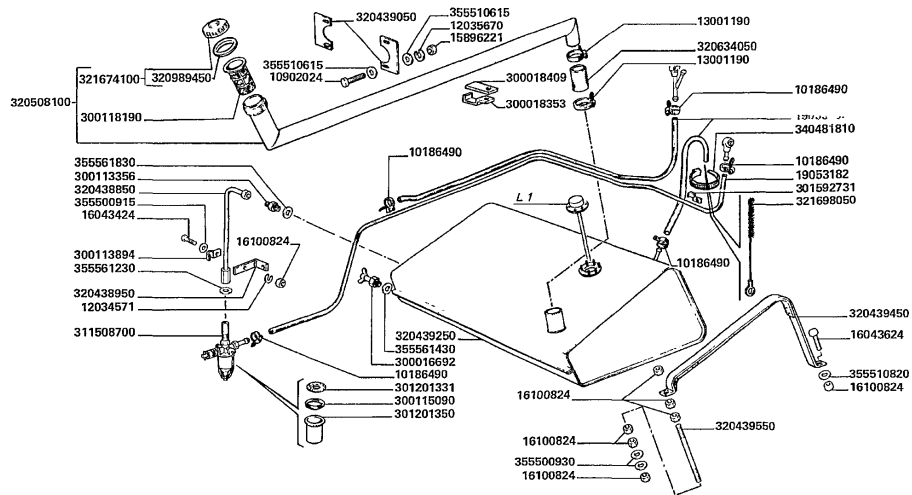
- D1016 AUT. N.5C81001
- C1129 AUT. N.5C81447
- C1167 AUT. N.5C81655
- C1167 AUT. N.5C81655
- 320883700 = 1

VARIOUS

MTB "3000" 3550 AL



FUEL TANK

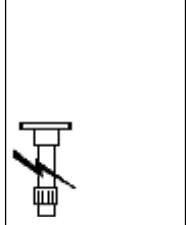


- 320438850
  - 320438950
  - 320439050
  - 320439250
  - 320439450
  - 320439550
  - 320508100
  - 320634050
  - 320989450
  - 321674100
  - 321698050
  - 340481810
  - 355500915
  - 355500930
  - 355510615
  - 355510820
  - 355561230
  - 355561430
  - 355561830
- 1 PIPE
  - 1 BRACKET, S
  - 2 PANEL
  - 1 TANK
  - 2 COLLAR
  - 2 TIE ROD
  - 1 PIPE
  - 1 SLEEVE
  - 1 GASKET
  - 1 PLUG
  - 1 BRUSH
  - 1 CLAMP
  - 1 WASHER
  - 4 WASHER
  - 4 WASHER
  - 2 WASHER
  - 1 WASHER
  - 1 WASHER
  - 1 WASHER

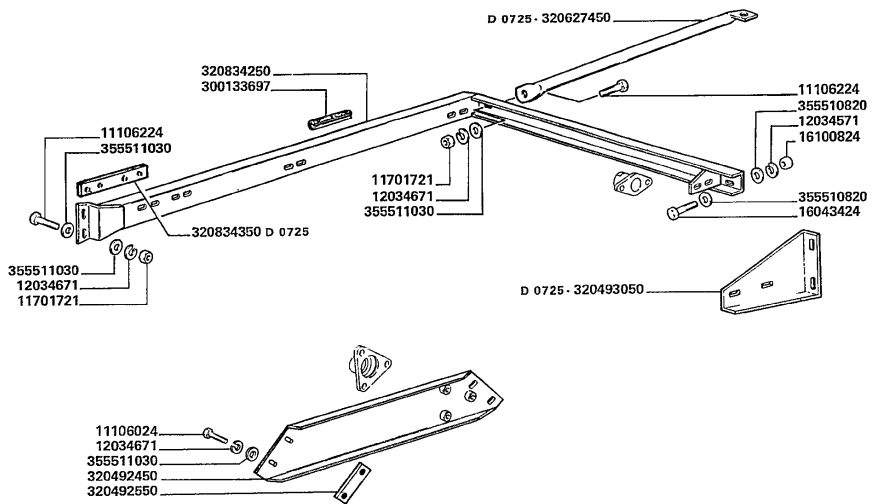
● 003209892000 (1)

VARIOUS

MTB "3000" 3550 AL



CASE SUSPENSION

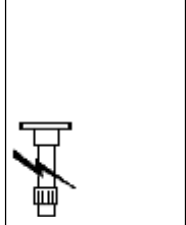


D 0725 aut. => n. 5C81241

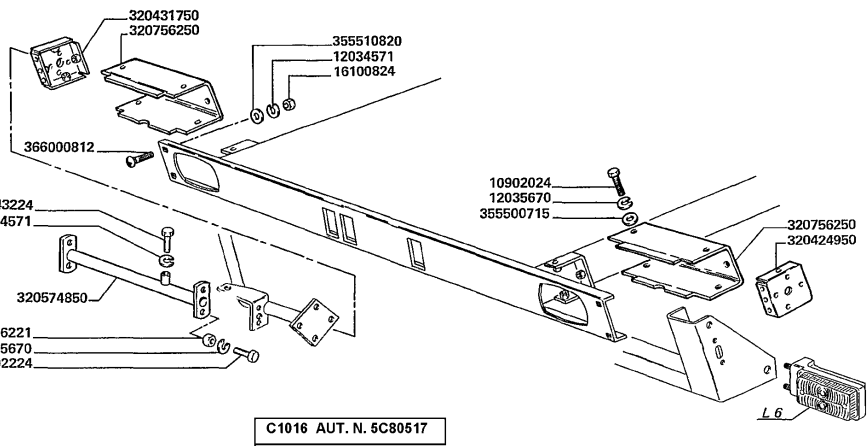
- |           |               |
|-----------|---------------|
| 11106024  | 6 SCREW       |
| 11106224  | 8 SCREW       |
| 11701721  | 10 NUT        |
| 12034571  | 14 LOCK WASHE |
| 12034671  | 14 LOCK WASHE |
| 16043424  | 10 SCREW      |
| 16100824  | 12 NUT        |
| 300133697 | 1 GASKET      |
| 320492450 | 1 PLATE       |
| 320492550 | 2 STRAP       |
| 320493050 | 1 PLATE       |
| 320627450 | 1 PIPE        |
| 320834250 | 1 FRAME       |
| 320834350 | 1 BASE PLATE  |
| 355510820 | 6 WASHER      |
| 355511030 | 13 WASHER     |

VARIOUS

MTB "3000" 3550 AL



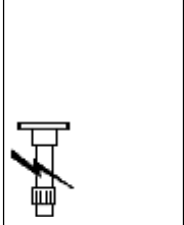
FRONT LIGHTS SUPPORTS (NORMAL WHEEL TRAC)



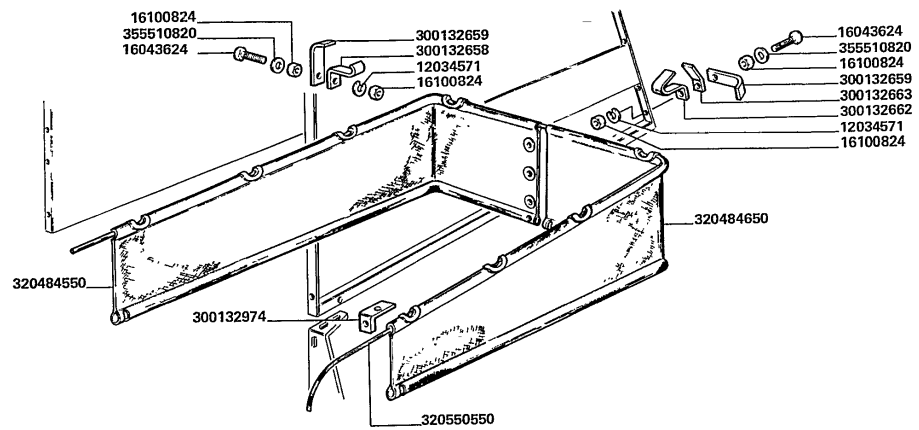
- |           |                     |               |
|-----------|---------------------|---------------|
| 10902024  |                     | 12 SCREW      |
| 10902224  |                     | 2 SCREW       |
| 12034571  |                     | 5 LOCK WASHE  |
| 12035670  | ● 000120356710 (14) | 14 LOCK WASHE |
| 15896221  |                     | 2 NUT         |
| 16043224  |                     | 1 SCREW       |
| 16100824  |                     | 4 NUT         |
| 320424950 |                     | 1 PANEL       |
| 320431750 |                     | 1 PANEL       |
| 320574850 |                     | 1 SUPPORT     |
| 320756250 |                     | 2 COVER       |
| 355500715 |                     | 12 WASHER     |
| 355510820 |                     | 4 WASHER      |
| 366000812 |                     | 4 SCREW       |

VARIOUS

MTB "3000" 3550 AL



CANVAS FOR STRAW WALKER BODY



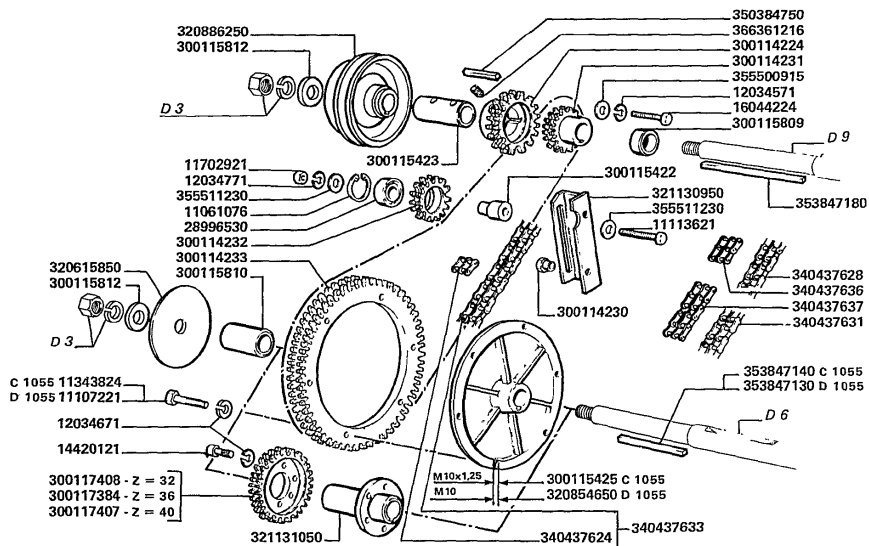
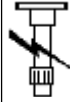
- 12034571
- 16043624
- 16100824
- 300132658
- 300132659
- 300132662
- 300132663
- 300132974
- 320484550
- 320484650
- 320550550
- 355510820

- 9 LOCK WASHE
- 9 SCREW
- 18 NUT
- 6 BRIDLE
- 8 BRIDLE
- 3 BRIDLE
- 3 PLATE
- 2 BRIDLE
- 1 CANVAS
- 1 CANVAS
- 1 CORD
- 9 WASHER

VARIOUS

CHAIN DRIVE FOR DRUM

MTB "3000" 3550 AL

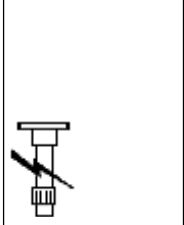


- 11061076 1 SPRING LOC
- 11107221 6 SCREW
- 11113621 1 SCREW
- 11343824 6 SCREW
- 11702921 1 NUT
- 12034571 2 LOCK WASHE
- 12034671 10 LOCK WASHE
- 12034771 1 LOCK WASHE
- 14420121 6 SCREW
- 16044224 2 SCREW
- 28996530 1 BEARING
- 300114224 1 GEAR
- 300114230 2 NUT
- 300114231 1 GEAR
- 300114232 1 GEAR
- 300114233 1 ANNULAR GE
- 300115422 1 SPACER
- 300115423 1 SPACER
- 300115425 1 HUB
- 300115809 1 SPACER
- 300115810 1 SPACER
- 300115812 2 WASHER
- 300117384 1 GEAR
- 300117407 1 GEAR
- 300117408 1 GEAR
- 320615850 1 DISC
- 320854650 1 HUB
- 320886250 1 PULLEY
- 321130950 1 SUPPORT
- 321131050 1 HUB
- 340437624 1 CONNECTING
- 340437628 1 LINK CHAIN

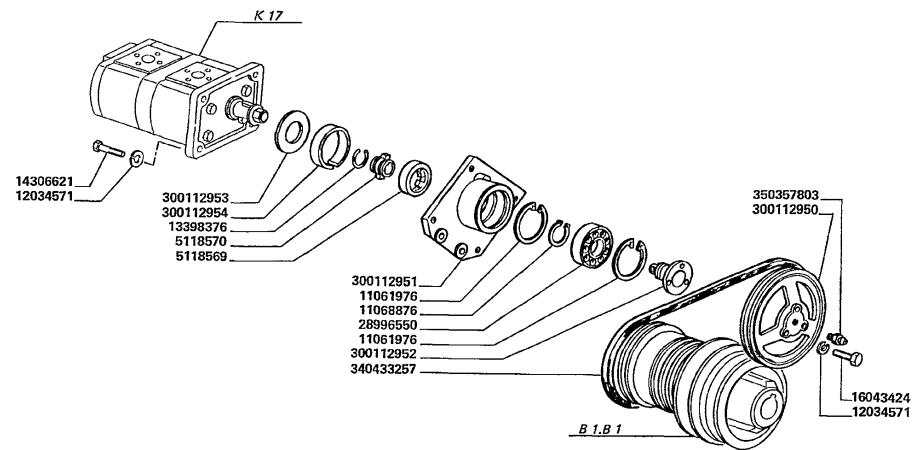
● 000111072210 (6)  
003208546500 (1)

VARIOUS

MTB "3000" 3550 AL



DRIVE LEVELING PUMP

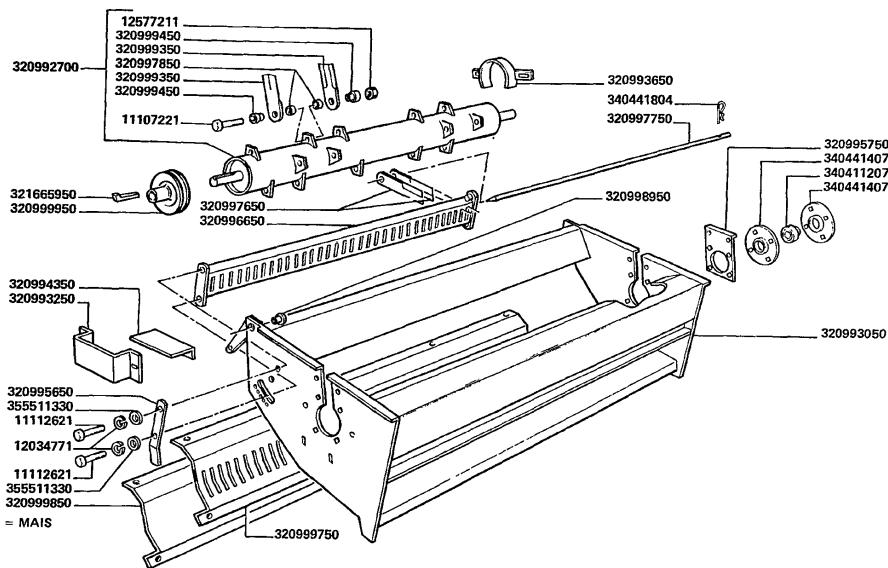
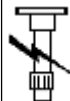


- |           |   |            |
|-----------|---|------------|
| 11061976  | 2 | SPRING LOC |
| 11068876  | 1 | SPRING LOC |
| 12034571  | 7 | LOCK WASHE |
| 13398376  | 1 | RING       |
| 14306621  | 4 | SCREW      |
| 16043424  | 3 | SCREW      |
| 28996550  | 1 | BEARING    |
| 300112950 | 1 | PULLEY     |
| 300112951 | 1 | SUPPORT    |
| 300112952 | 1 | HUB        |
| 300112953 | 1 | WASHER     |
| 300112954 | 1 | SPACER     |
| 340433257 | 1 | BELT       |
| 350357803 | 1 | NIPPLE, LU |
| 5118570   | 1 | HUB        |

VARIOUS

STRAW CHOPPER - ELEMENTS

MTB "3000" 3550 AL

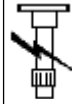


- |           |              |
|-----------|--------------|
| 11107221  | 20 SCREW     |
| 11112621  | 4 SCREW      |
| 12034771  | 6 LOCK WASHE |
| 12577211  | 20 NUT       |
| 320992700 | 1 ROTOR      |
| 320993050 | 1 CASE       |
| 320993250 | 1 SHIELD     |
| 320993650 | 2 SHIELD     |
| 320994350 | 1 SHIELD     |
| 320995650 | 1 LEVER LEAD |
| 320995750 | 2 PLATE      |
| 320996650 | 1 BEAM       |
| 320997650 | 42 SHEAR BAR |
| 320997750 | 1 DOWEL      |
| 320997850 | 40 BUSH      |
| 320998950 | 2 SPACER     |
| 320999350 | 40 KNIFE     |
| 320999450 | 40 BUSH      |
| 320999750 | 1 CONVEYOR   |
| 320999850 | 1 CONVEYOR   |
| 320999950 | 1 PULLEY     |
| 321665950 | 1 FLAT KEY   |
| 340411207 | 2 BEARING    |
| 340411407 | 4 FLANGE COU |
| 340441804 | 1 LATCH      |
| 355511330 | 6 WASHER     |

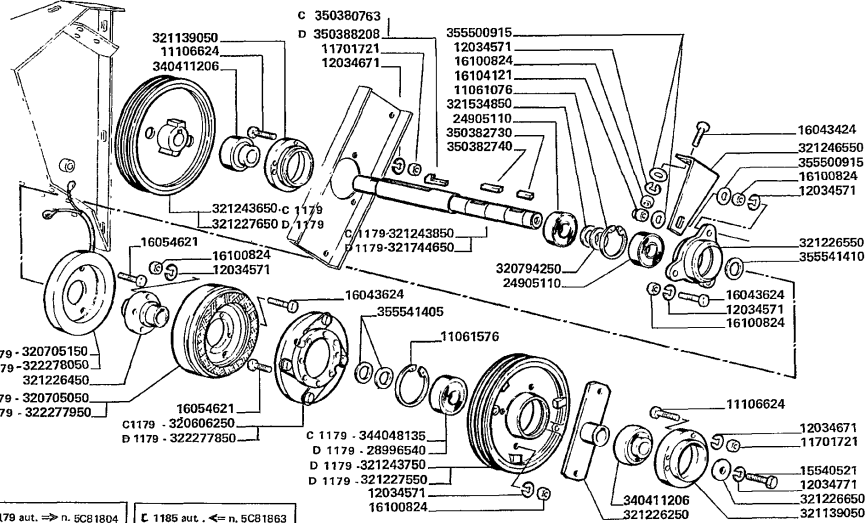
● 003209843500 (1)

VARIOUS

STRAW CHOPPER - CLUCH (MEZOGEP)



MTB "3000" 3550 AL



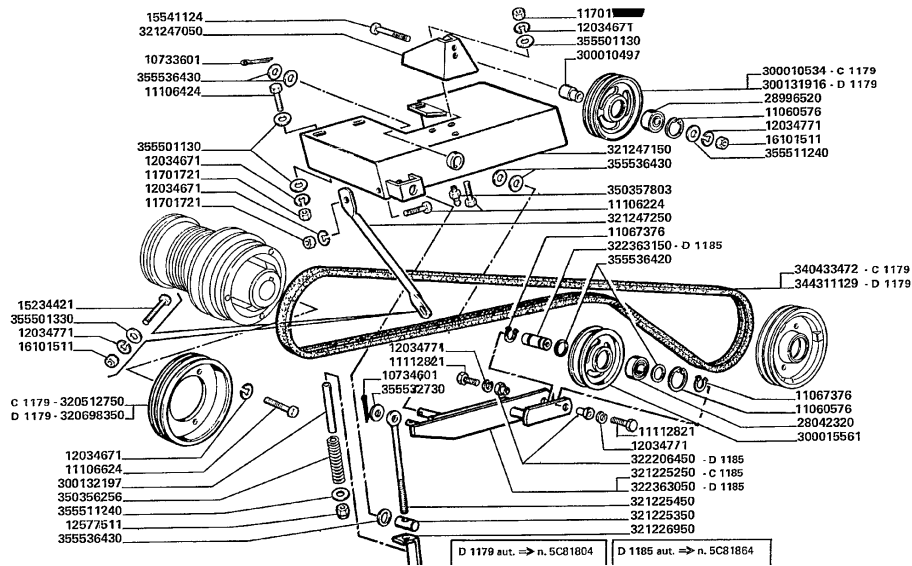
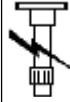
- 11061076 1 SPRING LOC
- 11061576 1 SPRING LOC
- 11106624 7 SCREW
- 11701721 26 NUT
- 12034571 13 LOCK WASHE
- 12034671 25 LOCK WASHE
- 12034771 3 LOCK WASHE
- 15540521 1 SCREW
- 16043424 1 SCREW
- 16043624 6 SCREW
- 16054621 5 SCREW
- 16100824 13 NUT
- 16104121 1 NUT
- 24905110 2 BEARING
- 28996540 1 BEARING
- 320606250 1 BOX
- 320705050 1 ROTOR
- 320705150 1 MAGNET
- 320794250 1 SPACER
- 321139050 2 SUPPORT
- 321226250 1 FLANGE
- 321226450 1 SUPPORT
- 321226550 1 SUPPORT
- 321226650 1 WASHER
- 321227550 1 PULLEY
- 321227650 1 PULLEY
- 321243650 1 PULLEY
- 321243750 1 PULLEY
- 321243850 1 MAST
- 321246550 1 STIRRUP
- 321534850 1 SPACER
- 321744650 1 MAST
- 322277850 1 ARMATURE
- 322277950 1 ROTOR

D 1179 aut. => n. 5CB1804 | C 1185 aut. <=> n. 5CB1863

VARIOUS

STRAW CHOPPER - RETURN (MEZOGEP)

MTB "3000" 3550 AL



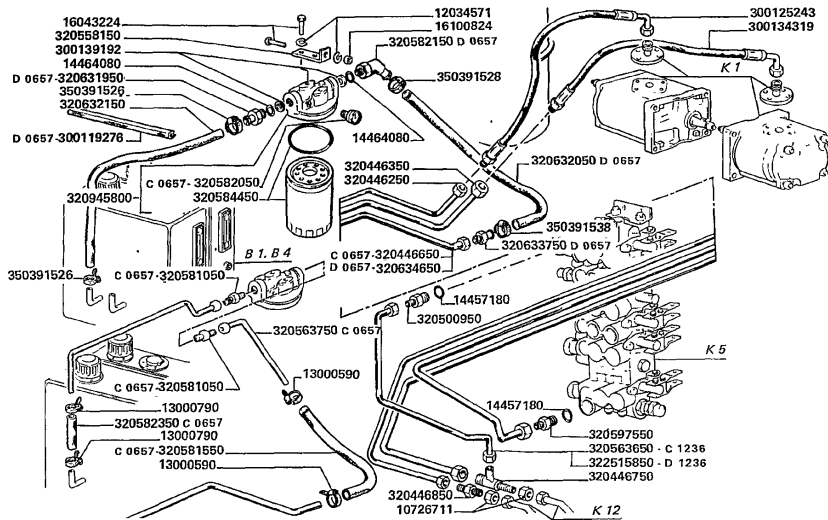
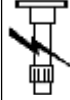
- 10733601
  - 10734601
  - 11060576
  - 11067376
  - 11106224
  - 11106424
  - 11106624
  - 11112821
  - 11701721
  - 12034671
  - 12034771
  - 12577511
  - 15234421
  - 15541124
  - 16101511
  - 28042320
  - 28986520
  - 300010497
  - 300010534
  - 300015561
  - 300131916
  - 300132197
  - 320512750
  - 320698350
  - 321225250
  - 321225350
  - 321225450
  - 321226950
  - 321247050
  - 321247150
  - 321247250
  - 322206450
  - 322363050
- 1 LINCH PIN
  - 1 LINCH PIN
  - 2 SPRING LOC
  - 2 SPRING LOC
  - 4 SCREW
  - 3 SCREW
  - 3 SCREW
  - 2 SCREW
  - 7 NUT
  - 10 LOCK WASHE
  - 4 LOCK WASHE
  - 1 NUT
  - 1 SCREW
  - 2 NUT
  - 1 BEARING
  - 1 BEARING
  - 1 SPACER
  - 1 TENSIONER,
  - 1 GEAR
  - 1 TENSION SL
  - 1 BUSH
  - 1 PULLEY
  - 1 PULLEY
  - 1 COUNTER WE
  - 1 PIN
  - 1 TIE ROD
  - 1 INDEX SPRI
  - 1 SUPPORT
  - 1 STIRRUP
  - 1 STRUT
  - 2 BUSH
  - 1 COUNTER WE

● 003000105345 (1)

VARIOUS

PUMP TO VALVE-CHEST PIPES

MTB "3000" 3550 AL



D0657 AUT. N. 5C80273

D1236 AUT. N. 5C81944

- |           |   |             |
|-----------|---|-------------|
| 10726711  | 2 | NUT         |
| 12034571  | 3 | LOCK WASHER |
| 14457180  | 2 | O-RING      |
| 14464080  | 2 | O-RING      |
| 16043224  | 3 | SCREW       |
| 16100811  | 3 | NUT         |
| 300119278 | 2 | GASKET      |
| 300125243 | 1 | HOSE        |
| 300134319 | 1 | HOSE        |
| 300139192 | 2 | WASHER      |
| 320446250 | 1 | PIPE        |
| 320446350 | 1 | PIPE        |
| 320446650 | 1 | PIPE        |
| 320446750 | 1 | UNION       |
| 320446850 | 1 | UNION       |
| 320500950 | 1 | UNION       |
| 320558150 | 1 | BRACKET, S  |
| 320563650 | 1 | PIPE        |
| 320563750 | 1 | STANDPIPE   |
| 320581050 | 2 | UNION       |
| 320581550 | 1 | HOSE        |
| 320582050 | 1 | INSTRUMENT  |
| 320582150 | 1 | UNION       |
| 320582350 | 1 | PIPE        |
| 320584450 | 1 | FILTER, EL  |
| 320597550 | 1 | UNION       |
| 320631950 | 1 | UNION       |
| 320632050 | 1 | PIPE        |
| 320632150 | 1 | PIPE        |
| 320633750 | 1 | UNION       |
| 320634650 | 1 | PIPE        |
| 320945800 | 1 | FILTER      |
| 322515850 | 1 | PIPE        |

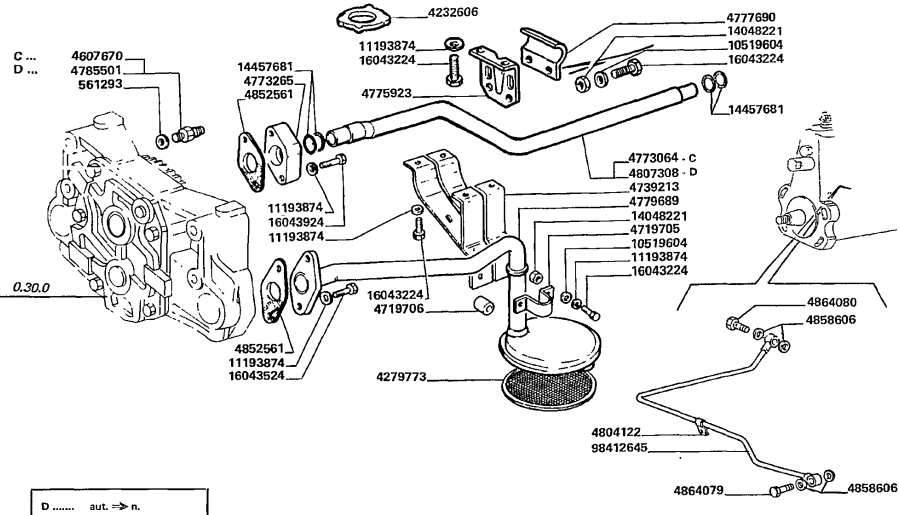
● 003204466500 (1)

VARIOUS

MTB "3000" 3550 AL



OIL LINES

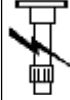


- |          |               |
|----------|---------------|
| 10519604 | 4 LOCK WASHE  |
| 11193874 | 13 LOCK WASHE |
| 14048221 | 4 NUT         |
| 14457681 | 4 O-RING      |
| 16043224 | 10 SCREW      |
| 16043524 | 2 SCREW       |
| 16043924 | 2 SCREW       |
| 4232606  | 1 PLUG        |
| 4279773  | 1 SCREEN      |
| 4607670  | 1 BOLT, BANJ  |
| 4719705  | 1 BRACKET     |
| 4719706  | 1 SLEEVE      |
| 4739213  | 1 STIRRUP     |
| 4773064  | 1 STANDPIPE   |
| 4773265  | 2 UNION       |
| 4775923  | 1 STIRRUP     |
| 4777690  | 1 COLLAR      |
| 4779689  | 1 STANDPIPE   |
| 4785501  | 1 UNION       |
| 4807308  | 1 STANDPIPE   |
| 4852561  | 3 GASKET      |
| 4858606  | 4 WASHER      |
| 4864079  | 1 BOLT, BANJ  |
| 4864080  | 1 BOLT, BANJ  |
| 561293   | 1 RING        |
| 98412645 | 1 STANDPIPE   |

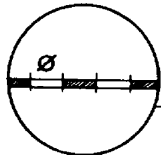
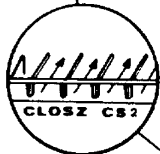
VARIOUS

LOWER SIEVE

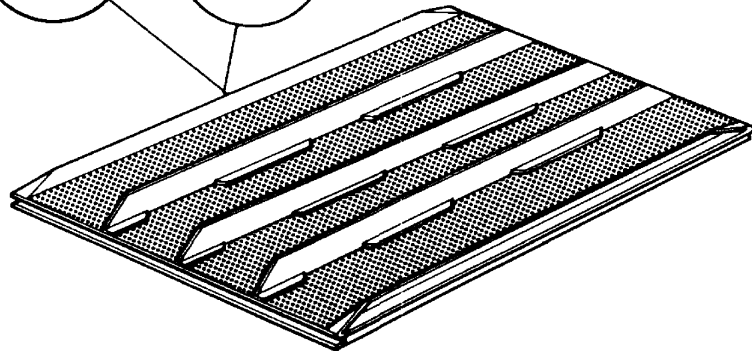
MTB "3000" 3550 AL



320458100



- 320458350 - 2
- 320458450 - 2,5
- 320458550 - 3
- 320458650 - 4
- 320458750 - 5
- 320458850 - 6
- 320458950 - 7
- 320459050 - 8
- 320459150 - 10
- 320459250 - 12
- 320459350 - 14
- 320459450 - 16
- 320459550 - 18
- 320459650 - 20
- 320459750 - 30

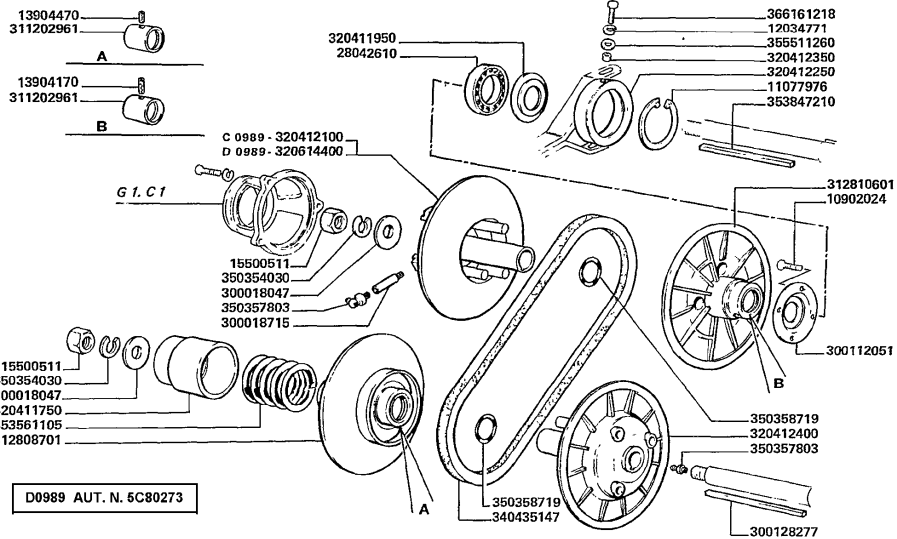
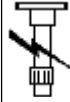


- |           |         |
|-----------|---------|
| 320458100 | 1 SIEVE |
| 320458350 | 1 SIEVE |
| 320458450 | 1 SIEVE |
| 320458550 | 1 SIEVE |
| 320458650 | 1 SIEVE |
| 320458750 | 1 SIEVE |
| 320458850 | 1 SIEVE |
| 320458950 | 1 SIEVE |
| 320459050 | 1 SIEVE |
| 320459150 | 1 SIEVE |
| 320459250 | 1 SIEVE |
| 320459350 | 1 SIEVE |
| 320459450 | 1 SIEVE |
| 320459550 | 1 SIEVE |
| 320459650 | 1 SIEVE |
| 320459750 | 1 SIEVE |

VARIOUS

DRUM VARIATOR

MTB "3000" 3550 AL



- |           |              |
|-----------|--------------|
| 10902024  | 4 SCREW      |
| 11077976  | 1 SPRING LOC |
| 12034771  | 2 LOCK WASHE |
| 13904170  | 2 DOWEL      |
| 13904470  | 2 DOWEL      |
| 15500511  | 2 NUT        |
| 28042610  | 1 BEARING    |
| 300018047 | 2 WASHER     |
| 300018715 | 1 EXTENSION  |
| 300112051 | 1 WASHER     |
| 300128277 | 1 KEY        |
| 311202961 | 4 BEARING    |
| 312808701 | 1 DISC       |
| 312810601 | 1 DISC       |
| 320411750 | 1 CONTAINER  |
| 320411950 | 3 WASHER     |
| 320412100 | 1 DISC       |
| 320412250 | 1 RING       |
| 320412350 | 2 BUSH       |
| 320412400 | 1 DISC       |
| 320614400 | 1 DISC       |
| 340435147 | 1 BELT       |
| 350354030 | 2 LOCK WASHE |
| 350357803 | 2 NIPPLE, LU |
| 350358719 | 7 GASKET     |
| 353561105 | 1 SPRING     |
| 353847210 | 1 KEY        |
| 355511260 | 2 WASHER     |
| 366161218 | 2 SCREW      |

CLICK HERE TO **DOWNLOAD** THE COMPLETE MANUAL

- Thank you very much for reading the preview of the manual.
- You can download the complete manual from: [www.heydownloads.com](http://www.heydownloads.com) by clicking the link below



- Please note: If there is no response to CLICKING the link, please download this PDF first and then click on it.

CLICK HERE TO **DOWNLOAD** THE COMPLETE MANUAL