

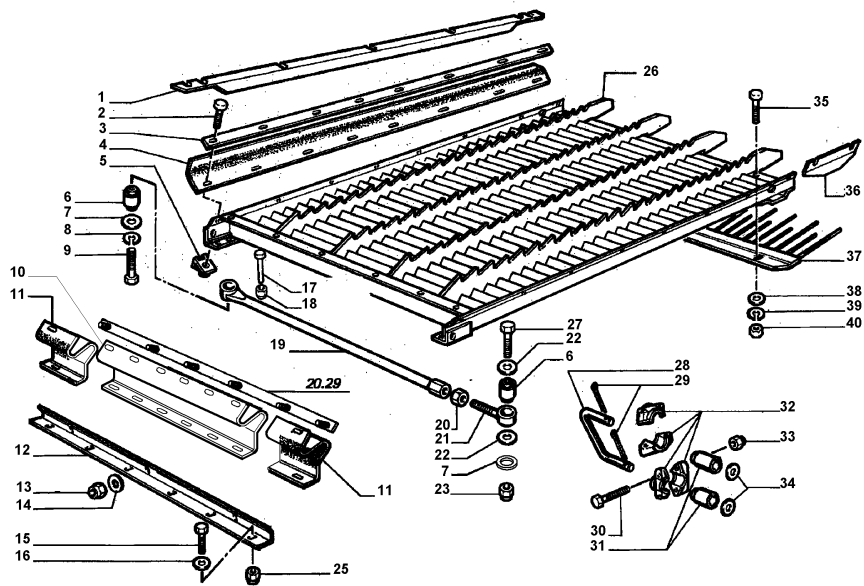
CLEANING

22 -  
22.01

GRAIN PAN

MTB "LCS" 296 lcs - ls (318200210\_318200999)

2222.01



- |    |            |   |            |
|----|------------|---|------------|
| 1  | 321844050  | 1 | PLATE      |
| 2  | 10977821   | 1 | SCREW      |
| 3  | 321828350  | 1 | STRAP      |
| 4  | 321828250  | 1 | CONVEYOR   |
| 5  | 322121950  | 1 | NUT        |
| 6  | 340449005  | 1 | SILENTBLOC |
| 7  | 355531830  | 1 | WASHER     |
| 8  | 12035571   | 1 | LOCK WASHE |
| 9  | 11116221   | 1 | SCREW      |
| 10 | 323119950  | 1 | GASKET     |
| 11 | 323120150  | 1 | GASKET     |
| 12 | 0032337095 | 1 | PROFILE    |
|    | 05         |   |            |
| 13 | 12574111   | 1 | NUT        |
| 14 | 355500615  | 1 | WASHER     |
| 15 | 16043624   | 1 | SCREW      |
| 16 | 355510820  | 1 | WASHER     |
| 17 | 10902621   | 1 | SCREW      |
| 18 | 12574211   | 1 | NUT        |
| 19 | 321840050  | 1 | ARM        |
| 20 | 11702921   | 1 | NUT        |
| 21 | 321839950  | 1 | HEAD       |
| 22 | 340415093  | 1 | SPACER     |
| 23 | 12577311   | 1 | NUT        |
| 25 | 16104111   | 1 | NUT        |
| 26 | 0032336595 | 1 | GRAIN PAN  |
|    | 05         |   |            |
| 27 | 11116621   | 1 | SCREW      |
| 28 | 321828450  | 1 | CONROD     |
| 29 | 10733801   | 1 | LINCH PIN  |
| 30 | 11107621   | 1 | SCREW      |
| 31 | 322203650  | 1 | BUSH       |
| 32 | 322194750  | 1 | SUPPORT    |
| 33 | 12577211   | 1 | NUT        |
| 34 | 355501930  | 1 | WASHER     |

CLICK HERE TO **DOWNLOAD** THE COMPLETE MANUAL

- Thank you very much for reading the preview of the manual.
- You can download the complete manual from: [www.heydownloads.com](http://www.heydownloads.com) by clicking the link below



- Please note: If there is no response to CLICKING the link, please download this PDF first and then click on it.

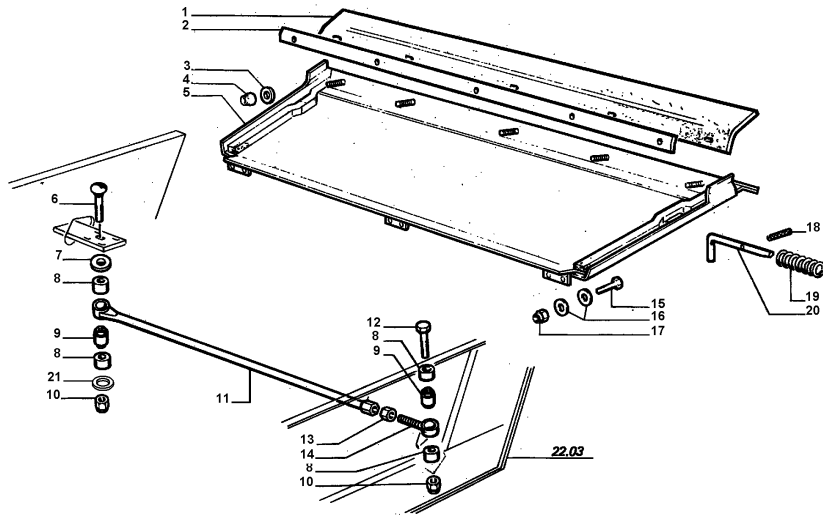
CLICK HERE TO **DOWNLOAD** THE COMPLETE MANUAL

CLEANING

22 -  
22.04\_2

LOWER SHAKER SHOE page 2

MTB "LCS" 296 lcs - ls (318200210\_318200999)



- |    |            |   |            |
|----|------------|---|------------|
| 1  | 0032211555 | 1 | GASKET     |
|    | 00         |   |            |
| 2  | 0032211735 | 1 | STRAP      |
|    | 00         |   |            |
| 3  | 355500715  | 1 | WASHER     |
| 4  | 360653406  | 1 | NUT        |
| 5  | 0032211605 | 1 | LID        |
|    | 00         |   |            |
| 6  | 366001434  | 1 | SCREW      |
| 7  | 355531950  | 1 | WASHER     |
| 8  | 340415093  | 1 | SPACER     |
| 9  | 340449005  | 1 | SILENTBLOC |
| 10 | 12577311   | 1 | NUT        |
| 11 | 321840050  | 1 | ARM        |
| 12 | 11116421   | 1 | SCREW      |
| 13 | 11702921   | 1 | NUT        |
| 14 | 321839950  | 1 | HEAD       |
| 15 | 10902424   | 1 | SCREW      |
| 16 | 355500715  | 1 | WASHER     |
| 17 | 12574211   | 1 | NUT        |
| 18 | 13902570   | 1 | DOWEL      |
| 19 | 353561158  | 1 | SPRING     |
| 20 | 322115150  | 1 | LATCH      |

CLEANING

22 -  
22.07\_2

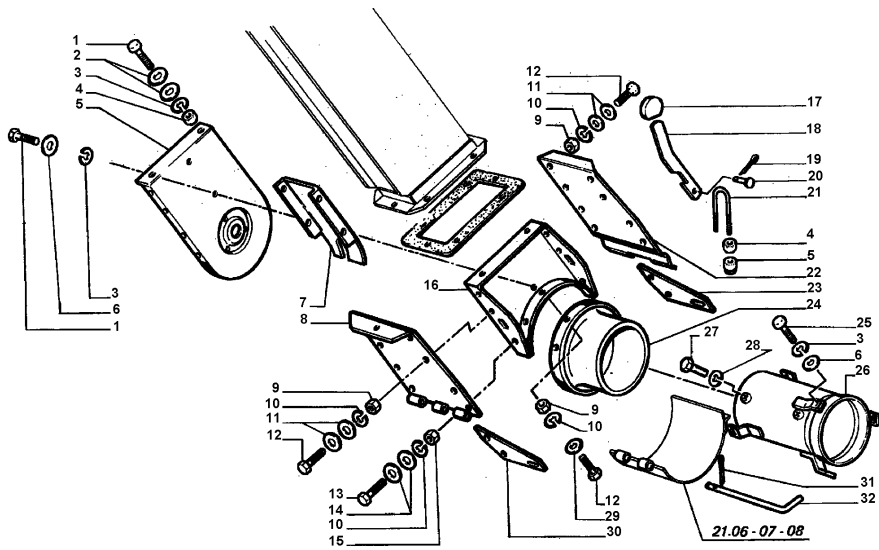
TAILINGS ELEVATOR (NORMAL) page 2

MTB "LCS" 296 lcs - ls (318200210\_318200999)



32 321848950

1 DOWEL

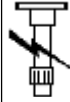


CLEANING

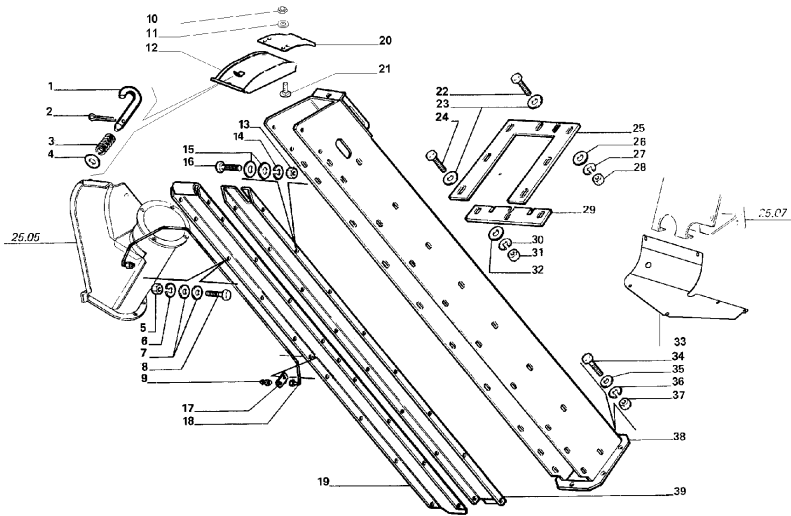
22 -  
22.14/1

GRAIN ELEVATOR (ANTHWEAR) page 1

MTB "LCS" 296 lcs - ls (318200210\_318200999)



2222.14/  
1



- |    |           |   |            |
|----|-----------|---|------------|
| 34 | 16043424  | 1 | SCREW      |
| 35 | 355500915 | 1 | WASHER     |
| 36 | 12034571  | 1 | LOCK WASHE |
| 37 | 16100811  | 1 | NUT        |
| 38 | 321855550 | 1 | GRAIN ELEV |
| 39 | 321855750 | 1 | PLATE      |

ELEVATORE GRANO (ANTIUSURA) (CASSA)

Elevateur grains (antiusure)  
Kornellevator (verschleissfrei)

Grain elevator (antiwear)  
Elevador de grano (antes usura)

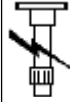
22.14

1/4 22140131002

CLEANING

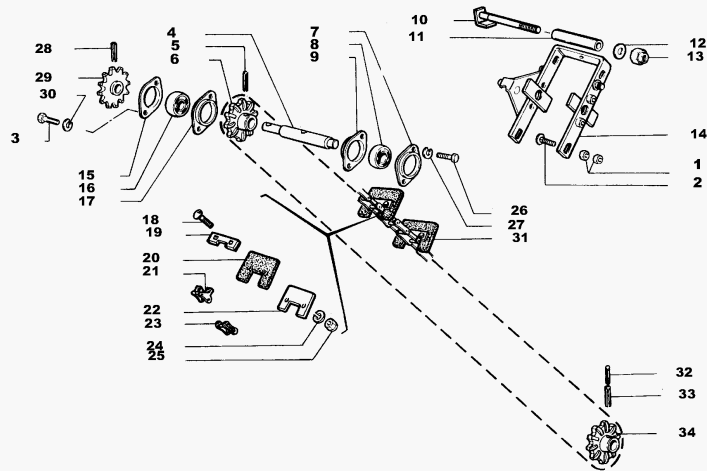
22 -  
22.15/3

TAILINGS ELEVATOR (ANTHWEAR)



2222.15/  
3

MTB "LCS" 296 lcs - ls (318200210\_318200999)



- |    |           |   |            |
|----|-----------|---|------------|
| 1  | 16100811  | 1 | NUT        |
| 2  | 350342512 | 1 | SCREW      |
| 3  | 16043424  | 1 | SCREW      |
| 4  | 322127050 | 1 | SHAFT      |
| 5  | 14610370  | 1 | PLUG       |
| 6  | 300132810 | 1 | GEAR       |
| 7  | 340411458 | 1 | FLANGE     |
| 8  | 340411236 | 1 | BEARING    |
| 9  | 340411458 | 1 | FLANGE     |
| 10 | 320592250 | 1 | PIN        |
| 11 | 321952850 | 1 | SPACER     |
| 12 | 355511050 | 1 | WASHER     |
| 13 | 12577211  | 1 | NUT        |
| 14 | 321861050 | 1 | CHAIN ADJU |
| 15 | 340411458 | 1 | FLANGE     |
| 16 | 340411236 | 1 | BEARING    |
| 17 | 340411458 | 1 | FLANGE     |
| 18 | 350342513 | 1 | SCREW      |
| 19 | 321814650 | 1 | STRAP      |
| 20 | 321821950 | 1 | PADDLE     |
| 21 | 344382162 | 1 | CONNECTING |
| 22 | 321822050 | 1 | AGAINST    |
| 23 | 344382163 | 1 | CONNECTING |
| 24 | 12034571  | 1 | LOCK WASHE |
| 25 | 16104111  | 1 | NUT        |
| 26 | 16043424  | 1 | SCREW      |
| 27 | 12034571  | 1 | LOCK WASHE |
| 28 | 14607270  | 1 | PLUG       |
| 29 | 300110254 | 1 | GEAR       |
| 30 | 12034571  | 1 | LOCK WASHE |
| 31 | 321862400 | 1 | CHAIN      |
| 32 | 14604570  | 1 | PLUG       |
| 33 | 14610370  | 1 | PLUG       |

● 003001328103 (1)

286 LCS

ELEVATORE RECUPERO (ANTIUSURA) (CATENA)

*Elevateur à otos (antiusure)  
Ueberkettenelevator (verschleissfreier)*

*Tailings elevator (anthwear)  
Caja elevador retorno (antes usura)*

22.15

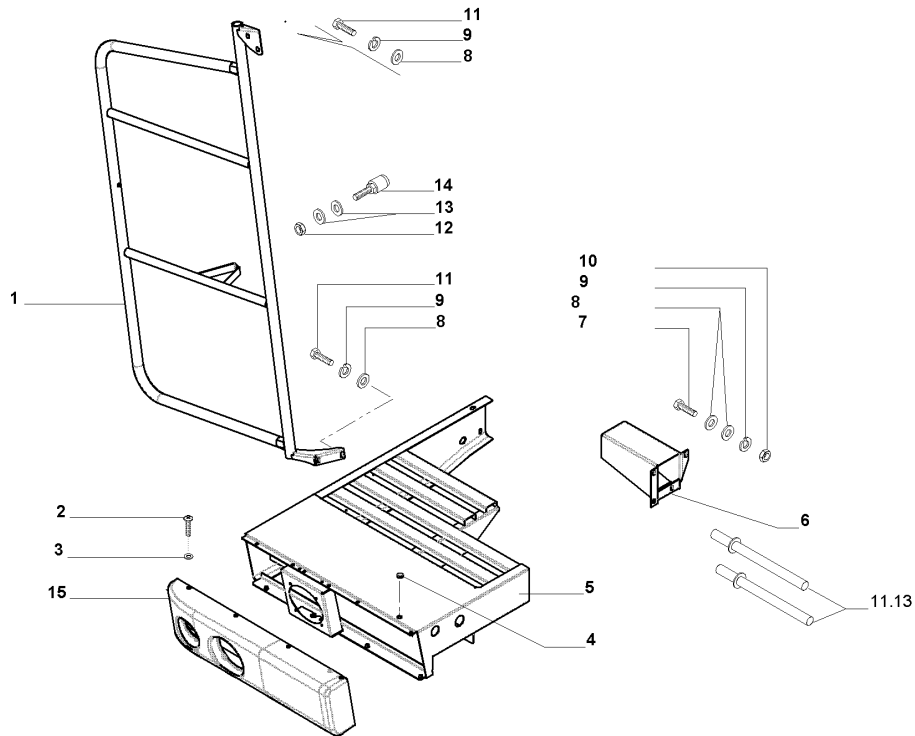
3/5 22150552006

DRIVES PLATFORM

27 -  
27.01\_2

PLATFORM SUPPORT page 2

MTB "LCS" 296 lcs - ls (318200210\_318200999)



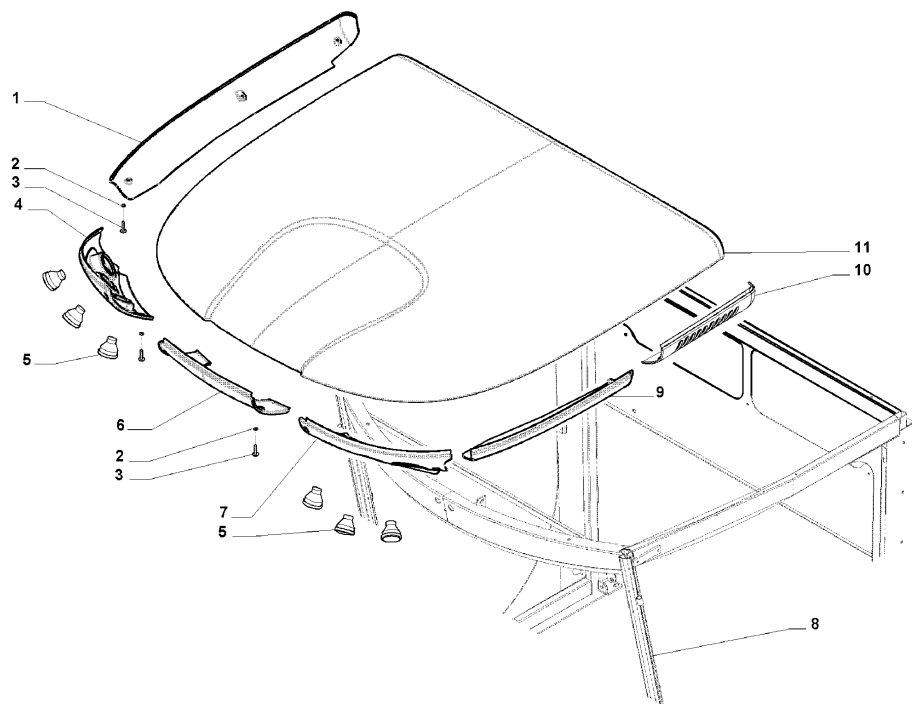
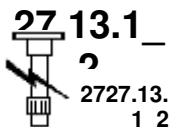
- |    |                                     |              |
|----|-------------------------------------|--------------|
| 1  | 0032324985<br>00                    | 1 SHIELD     |
| 2  | 0001327611<br>40                    | 1 SCREW      |
| 3  | 0035550091<br>50                    | 1 WASHER     |
| 4  | 0034048170<br>30                    | 1 GROMMET    |
| 5  | 0032321305<br>00                    | 1 LANDING    |
| 6  | 0032200605<br>00                    | 1 SUPPORT    |
| 7  | 0001604362<br>40                    | 1 SCREW      |
| 8  | 0035551082<br>00                    | 3 WASHER     |
| 9  | 0001203457<br>10                    | 3 LOCK WASHE |
| 10 | 0001610081<br>10                    | 1 NUT        |
| 11 | 0001604342 ● 000160434210 (2)<br>40 | 2 SCREW      |
| 12 | 0001589621<br>10                    | 1 NUT        |
| 13 | 0035550071<br>50                    | 1 WASHER     |
| 14 | 0032234060<br>00                    | 1 BLOCK      |
| 15 | 0032342905<br>00                    | 1 COACHWORK  |

DRIVES PLATFORM

27 -

CAB-CLIMATIZED CAB page 2

MTB "LCS" 296 lcs - ls (318200210\_318200999)



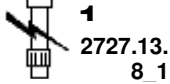
- |    |                  |   |        |
|----|------------------|---|--------|
| 1  | 323198450        | 1 | BOARD  |
| 2  | 355500715        | 2 | WASHER |
| 3  | 13276114         | 2 | SCREW  |
| 4  | 323198750        | 1 | COVER  |
| 5  | 323225600        | 1 | LAMP   |
| 6  | 0032343005<br>00 | 1 | COVER  |
| 7  | 323198650        | 1 | COVER  |
| 8  | 323196250        | 1 | FRAME  |
| 9  | 323198250        | 1 | BOARD  |
| 10 | 0032342985<br>00 | 1 | BOARD  |
| 11 | 0032342965<br>00 | 1 | ROOF   |

DRIVES PLATFORM

27 -

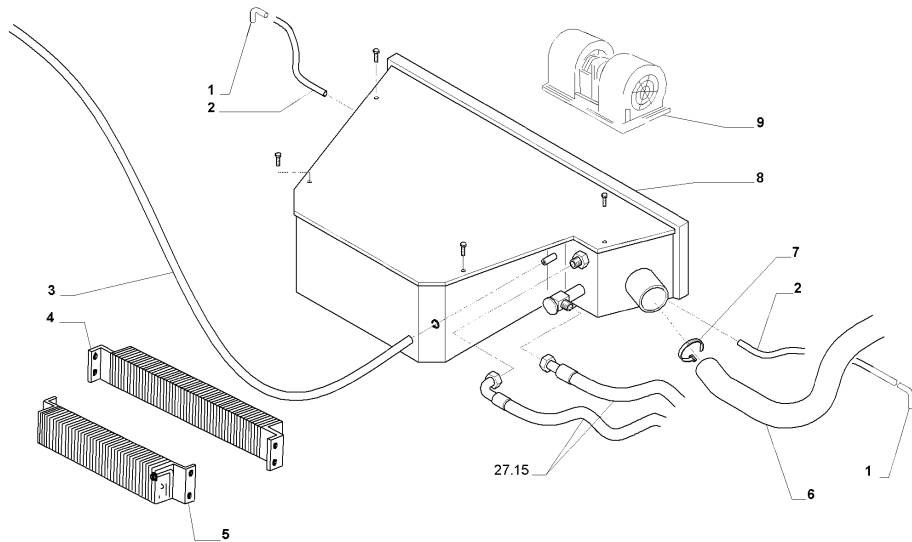
CABINE ELEMENTS page 1

27 13.8

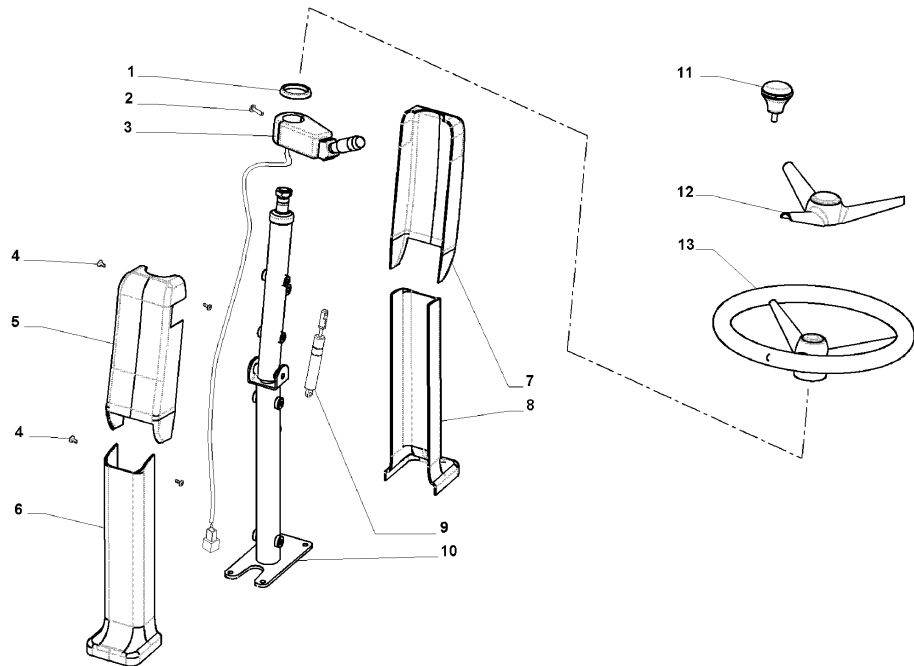


MTB "LCS" 296 lcs - ls (318200210\_318200999)

- |   |           |                    |   |            |
|---|-----------|--------------------|---|------------|
| 1 | 322794946 |                    | 2 | UNION      |
| 2 | 323228550 | ● 003208221500 (2) | 1 | PIPE       |
|   |           | 003205212500 (2)   |   |            |
|   |           | 000101867900 (1)   |   |            |
| 3 | 323228750 | ● 003001378910 (1) | 1 | PIPE       |
| 4 | 322794935 |                    | 1 | BATTERY    |
| 5 | 322794933 |                    | 1 | BATTERY    |
| 6 | 323226750 |                    | 1 | PIPE       |
| 7 | 13000790  |                    | 1 | COLLAR     |
| 8 | 323227650 |                    | 1 | CONTROL UN |
| 9 | 322794912 |                    | 1 | FAN        |



MTB "LCS" 296 lcs - ls (318200210\_318200999)



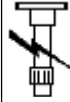
- |    |           |   |            |
|----|-----------|---|------------|
| 1  | 323230250 | 1 | FERRULE    |
| 2  | 13309211  | 2 | SCREW      |
| 3  | 323230150 | 1 | GEAR LEVER |
| 4  | 323174857 | 4 | SCREW      |
| 5  | 323230350 | 1 | SHIELD     |
| 6  | 323230550 | 1 | SHIELD     |
| 7  | 323230450 | 1 | SHIELD     |
| 8  | 323230650 | 1 | SHIELD     |
| 9  | 323231750 | 1 | JACK ASSY  |
| 10 | 323230750 | 1 | STEERING C |
| 11 | 323231650 | 1 | KNOB       |
| 12 | 323230050 | 1 | COVER      |
| 13 | 323229950 | 1 | STEERING W |

**DRUM**

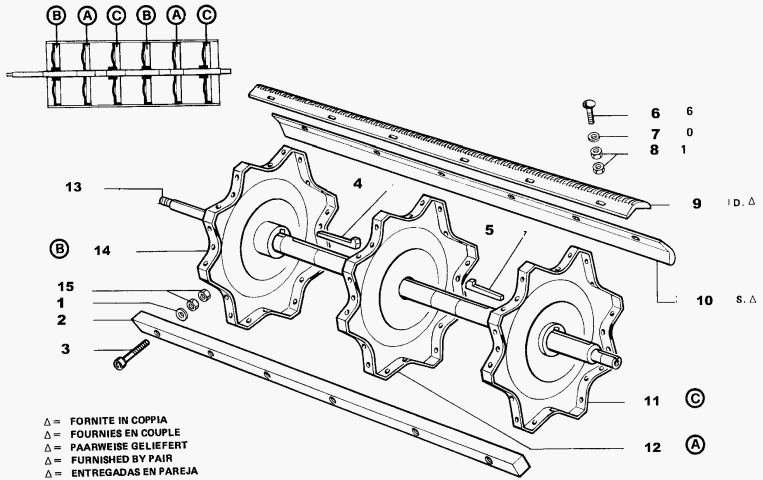
**20 -  
20.06/1**

**DRUM WITH BARS**

**MTB "LCS" 296 lcs - ls (318200210\_318200999)**



**2020.06/  
1**



- |    |           |   |            |
|----|-----------|---|------------|
| 1  | 355501320 | 1 | WASHER     |
| 2  | 321701350 | 1 | BAR        |
| 3  | 14331621  | 1 | SCREW      |
| 4  | 350380990 | 1 | KEY        |
| 5  | 350380990 | 1 | KEY        |
| 6  | 300015836 | 1 | SCREW      |
| 7  | 355501320 | 1 | WASHER     |
| 8  | 11702921  | 1 | NUT        |
| 9  | 313241700 | 1 | PAIR BAR P |
| 10 | 313241800 | 1 | PAIR BAR P |
| 11 | 320691450 | 1 | SUPPORT    |
| 12 | 320691250 | 1 | SUPPORT    |
| 13 | 322300950 | 1 | MAST       |
| 14 | 320691350 | 1 | SUPPORT    |
| 15 | 16101521  | 1 | NUT        |

**286 LCS**

*Variateur du batteur  
Dreschtrammelvariator*

**VARIATORE BATTITORE**

*Drum variator  
Variador del cilindro*

**20.06**

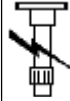
1/1 20060552023

DRUM

20 -  
20.24/1

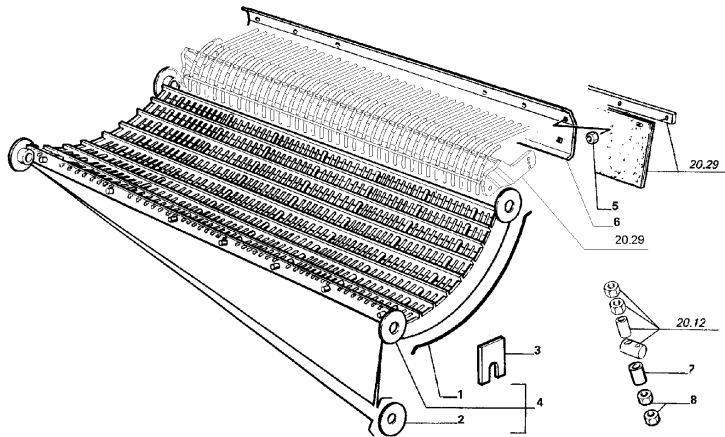
MAIZE CONCAVE AND SUN FLOWER page 1

MTB "LCS" 296 lcs - ls (318200210\_318200999)



2020.24/  
1

- |   |           |  |   |            |
|---|-----------|--|---|------------|
| 1 | 300132831 |  | 1 | WIRE, RETA |
| 2 | 322622850 |  | 1 | WASHER     |
| 3 | 321218050 |  | 1 | PLATE      |
| 4 | 322929000 | ● 003234133500 (1)<br>003234129005 (4) | 1 | CONCAVE    |
| 5 | 16104111  |  | 1 | NUT        |
| 6 | 322061150 |  | 1 | PROFILE    |
| 7 | 340415821 |  | 1 | BUSH       |
| 8 | 12163321  |  | 1 | NUT        |



286 LCS  
296 LCS

**CONTROBATTITORE DA MAIS E GIRASOLE**  
*Contre-batteur de maïs et tournesol*  
*Maiskorb und sonnenblumen*  
*maize concave and sun flower*  
*Concavo para maïs y girasol*

20.24

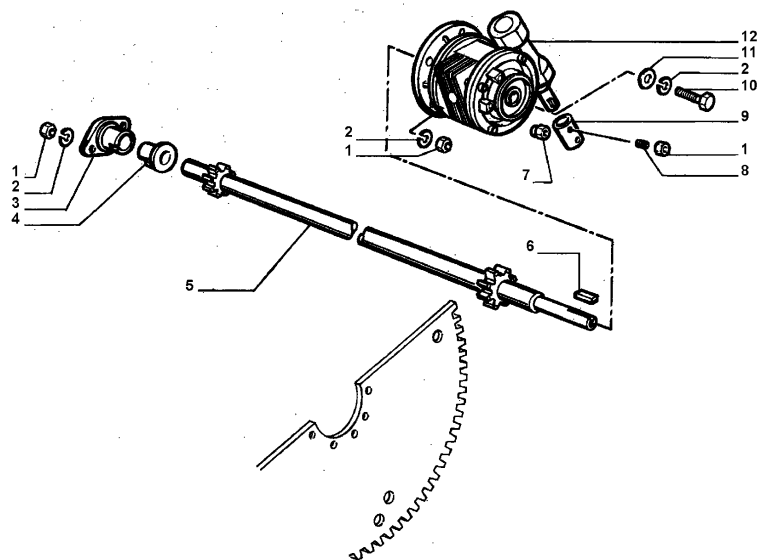
1/2 20240552022

DRUM

20 -  
20.40\_4

MULTI CROP SEPARATOR page 4

MTB "LCS" 296 lcs - ls (318200210\_318200999)



- |    |                  |                    |   |            |
|----|------------------|--------------------|---|------------|
| 1  | 16100811         |                    | 3 | NUT        |
| 2  | 12034571         |                    | 3 | LOCK WASHE |
| 3  | 321809550        | ● 003218095503 (1) | 1 | SUPPORT    |
| 4  | 300017381        |                    | 1 | BUSH       |
| 5  | 0032221735<br>00 |                    | 1 | SHAFT      |
| 6  | 350384228        |                    | 1 | KEY        |
| 7  | 12574211         |                    | 1 | NUT        |
| 8  | 366340814        |                    | 1 | SCREW      |
| 9  | 322217450        |                    | 1 | BUSH       |
| 10 | 16043424         |                    | 1 | SCREW      |
| 11 | 355520830        |                    | 1 | WASHER     |
| 12 | 322216900        |                    | 1 | GEAR REDUC |

ELECTRIC SYSTEM

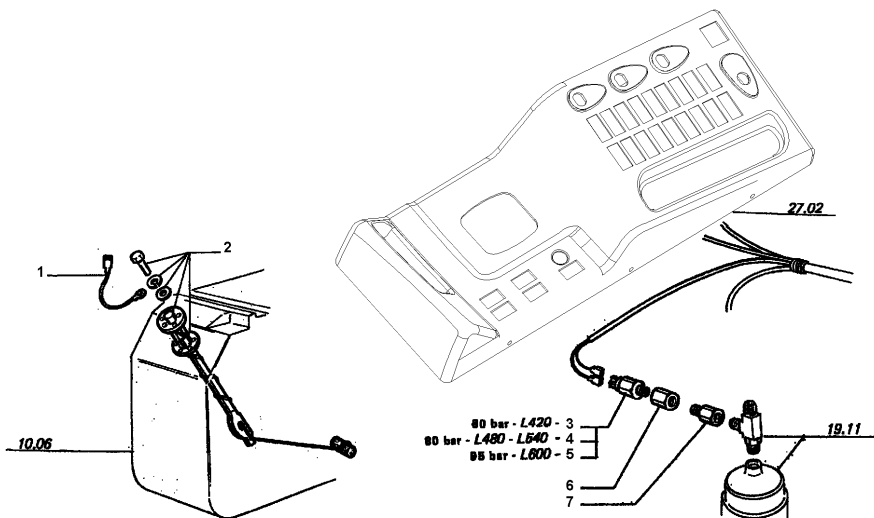
29 -  
29.03\_2

CONTROL CIRCUITS page 2

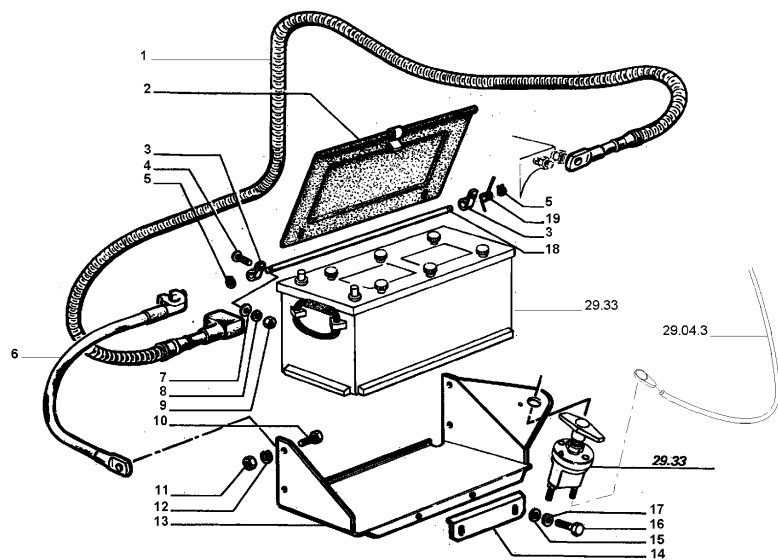
MTB "LCS" 296 lcs - ls (318200210\_318200999)



- |   |           |   |            |
|---|-----------|---|------------|
| 1 | 322207900 | 1 | EARTH WIRE |
| 2 | 322161800 | 1 | THROTTLE   |
| 3 | 322108750 | 1 | PRESSURE S |
| 4 | 321712050 | 1 | PRESSURE S |
| 5 | 322120950 | 1 | PRESSURE S |
| 6 | 321911550 | 1 | UNION      |
| 7 | 321896550 | 1 | UNION      |



MTB "LCS" 296 lcs - ls (318200210\_318200999)



- |    |           |   |            |
|----|-----------|---|------------|
| 1  | 322981100 | 1 | WIRE/CABLE |
| 2  | 322336350 | 1 | COVER      |
| 3  | 322337150 | 2 | CLAMP      |
| 4  | 366000614 | 1 | SCREW      |
| 5  | 11065676  | 2 | SPRING LOC |
| 6  | 313285900 | 1 | WIRE/CABLE |
| 7  | 355500715 | 1 | WASHER     |
| 8  | 12035670  | 1 | LOCK WASHE |
| 9  | 15896211  | 1 | NUT        |
| 10 | 11106424  | 1 | SCREW      |
| 11 | 11701721  | 1 | NUT        |
| 12 | 12034671  | 1 | LOCK WASHE |
| 13 | 322336150 | 1 | FRAME      |
| 14 | 322336250 | 1 | STRAP      |
| 15 | 355510820 | 1 | WASHER     |
| 16 | 16043424  | 1 | SCREW      |
| 17 | 12034571  | 1 | LOCK WASHE |
| 18 | 322393550 | 1 | PIN        |
| 19 | 350356934 | 1 | SPRING     |

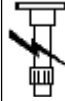
● 000120356710 (1)

ENGINE INSTALLATION

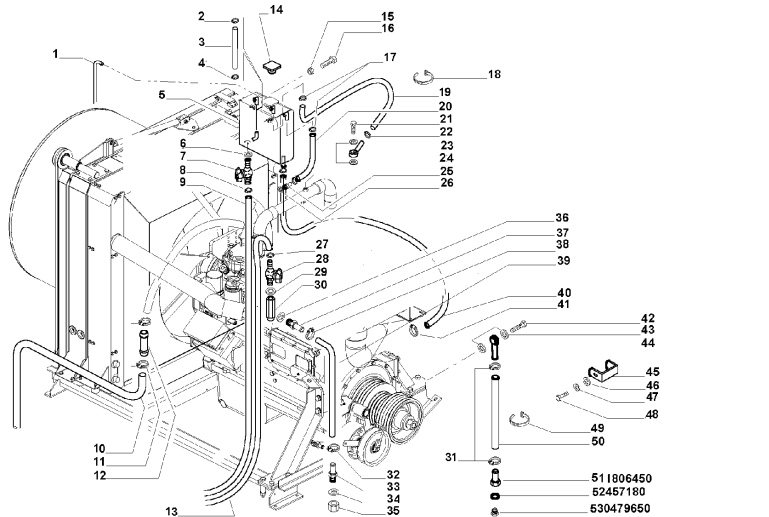
10 -  
10.01/2

ENGINE INSTALLATION page 2

MTB "LCS" 296 lcs - ls (318200210\_318200999)



1010.01/  
2



- |    |           |                    |   |            |
|----|-----------|--------------------|---|------------|
| 1  | 322327850 |                    | 1 | PIPE       |
| 2  | 350391506 |                    | 1 | CLAMP      |
| 3  | 19053182  | ● 000190531829 (1) | 1 | HOSE       |
| 4  | 350391506 |                    | 1 | CLAMP      |
| 5  | 322995200 | ● 003234344000 (1) | 1 | TANK       |
| 6  | 322731950 |                    | 1 | WASHER     |
| 7  | 322310850 |                    | 1 | DRAINCOCK/ |
| 8  | 350391506 |                    | 1 | CLAMP      |
| 9  | 322303850 |                    | 1 | HOSE       |
| 10 | 322895750 |                    | 1 | PIPE       |
| 11 | 350391526 |                    | 1 | CLAMP      |
| 12 | 322895650 |                    | 1 | PIPE       |
| 13 | 322303850 |                    | 1 | HOSE       |
| 14 | 322638350 |                    | 1 | PLUG       |
| 15 | 16104111  |                    | 1 | NUT        |
| 16 | 16043221  |                    | 1 | SCREW      |
| 17 | 350391506 |                    | 1 | CLAMP      |
| 18 | 340481806 |                    | 1 | CLAMP      |
| 19 | 322995450 | ● 003230134500 (1) | 1 | PIPE       |
| 20 | 323013550 |                    | 1 | PIPE       |
| 21 | 10184314  |                    | 1 | UNION      |
| 22 | 350391506 |                    | 1 | CLAMP      |
| 23 | 5150924   |                    | 1 | UNION      |
| 24 | 355571415 |                    | 1 | WASHER     |
| 25 | 321946550 |                    | 1 | BOLT, BANJ |
| 26 | 355571415 |                    | 1 | WASHER     |
| 27 | 350391506 |                    | 1 | CLAMP      |
| 28 | 322310850 |                    | 1 | DRAINCOCK/ |
| 29 | 410000794 |                    | 1 | WASHER     |
| 30 | 323143050 |                    | 1 | UNION      |
| 31 | 350391518 |                    | 1 | COLLAR     |

286 LCS  
296 LCS

Installation du moteur  
Motor installation

INSTALLAZIONE MOTORE

Engine installation  
Instalacion motor

10.01

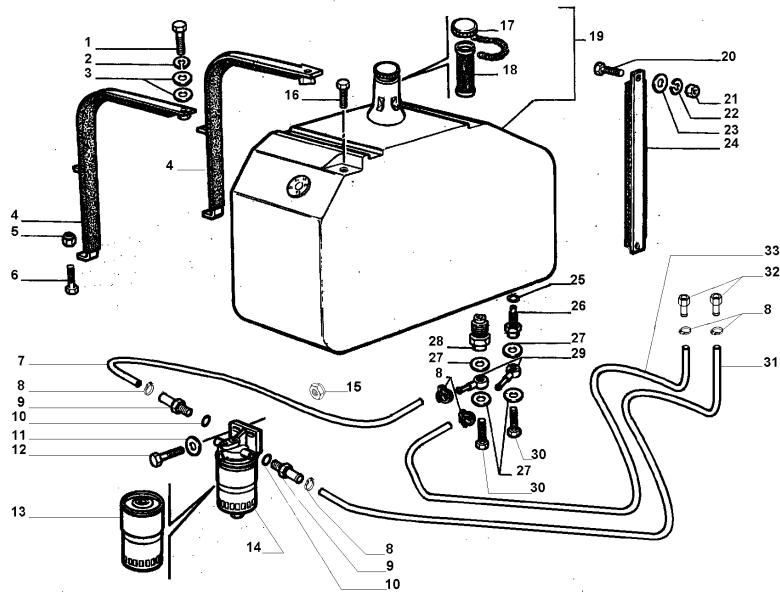
2/6 10010552007

ENGINE INSTALLATION

10 -  
10.06\_1

FUEL TANK page 1

MTB "LCS" 296 lcs - ls (318200210\_318200999)

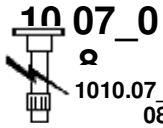


- |    |           |  |   |            |
|----|-----------|--|---|------------|
| 1  | 11106624  |  | 1 | SCREW      |
| 2  | 12034671  |  | 1 | LOCK WASHE |
| 3  | 355511030 |  | 1 | WASHER     |
| 4  | 322140850 |  | 1 | COLLAR     |
| 5  | 12577211  |  | 1 | NUT        |
| 6  | 15214821  |  | 1 | SCREW      |
| 7  | 322893150 |  | 1 | PIPE       |
| 8  | 350391506 |  | 5 | CLAMP      |
| 9  | 321946550 |  | 2 | BOLT, BANJ |
| 10 | 350358742 |  | 2 | GASKET     |
| 11 | 355510820 |  | 1 | WASHER     |
| 12 | 16043824  |  | 1 | SCREW      |
| 13 | 323208350 |  | 1 | FILTER, EL |
| 14 | 323256400 |  | 1 | FILTER     |
| 15 | 16104111  |  | 1 | NUT        |
| 16 | 11422324  | ● 000114223240 (1)                     | 1 | SCREW      |
| 17 | 323205550 |  | 1 | CORK       |
| 18 | 323205650 | ● 003221656500 (1)                     | 1 | FILTER     |
| 19 | 323194700 |  | 1 | TANK       |
| 20 | 10902224  |  | 1 | SCREW      |
| 21 | 15896221  |  | 1 | NUT        |
| 22 | 12035670  | ● 000120356710 (1)                     | 1 | LOCK WASHE |
| 23 | 355500720 | ● 003555007150 (1)                     | 1 | WASHER     |
| 24 | 322157450 |  | 1 | GASKET     |
| 25 | 14462880  |  | 1 | O-RING     |
| 26 | 322154150 |  | 1 | UNION      |
| 27 | 322325850 |  | 1 | WASHER     |
| 28 | 322223650 | ● 000144640810 (1)<br>003234447500 (1) | 1 | UNION      |

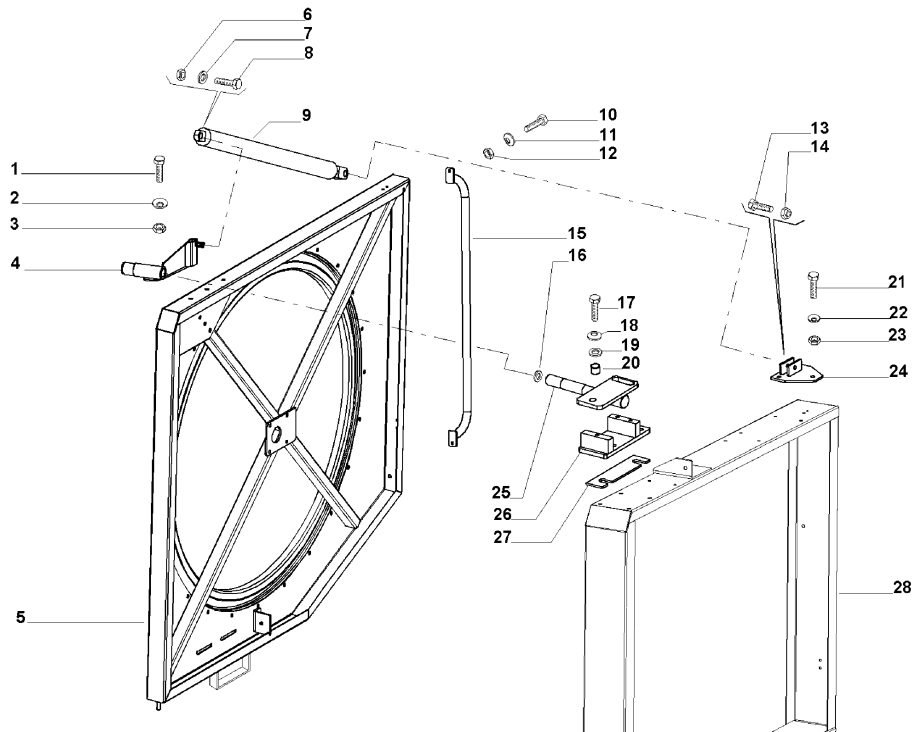
ENGINE INSTALLATION

10 -

RADIATOR FILTER page 8



MTB "LCS" 296 lcs - ls (318200210\_318200999)



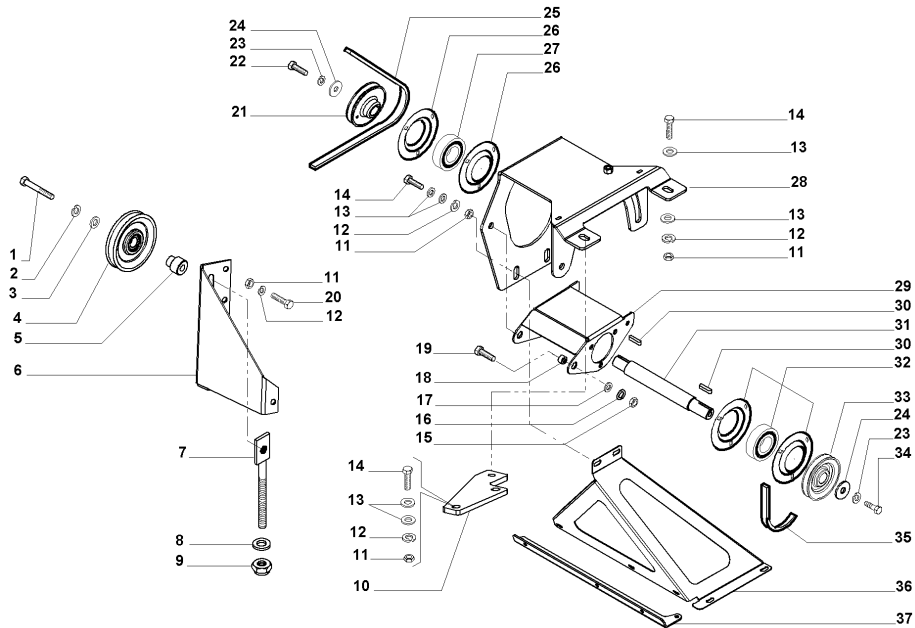
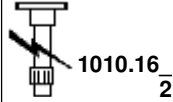
- |    |           |   |         |
|----|-----------|---|---------|
| 1  | 16043221  | 1 | SCREW   |
| 2  | 322358    | 1 | WASHER  |
| 3  | 16100811  | 1 | NUT     |
| 4  | 322938750 | 1 | HINGE   |
| 5  | 322938550 | 1 | DOOR    |
| 6  | 11701711  | 1 | NUT     |
| 7  | 355501120 | 1 | WASHER  |
| 8  | 15214821  | 1 | SCREW   |
| 9  | 322883050 | 1 | SPRING  |
| 10 | 16043221  | 1 | SCREW   |
| 11 | 322358    | 1 | WASHER  |
| 12 | 16100811  | 1 | NUT     |
| 13 | 11107221  | 1 | SCREW   |
| 14 | 12577211  | 1 | NUT     |
| 15 | 322883150 | 1 | HANDLE  |
| 16 | 355536430 | 1 | WASHER  |
| 17 | 11106421  | 1 | SCREW   |
| 18 | 140045    | 1 | WASHER  |
| 19 | 355511040 | 1 | WASHER  |
| 20 | 340415574 | 1 | BUSH    |
| 21 | 16043221  | 1 | SCREW   |
| 22 | 322358    | 1 | WASHER  |
| 23 | 16100811  | 1 | NUT     |
| 24 | 322957550 | 1 | SUPPORT |
| 25 | 323006750 | 1 | SUPPORT |
| 26 | 323006650 | 1 | PLATE   |
| 27 | 323006850 | 1 | SHIM    |
| 28 | 323102100 | 1 | FRAME   |

ENGINE INSTALLATION

10 -  
10.16\_2

RADIATOR ELEMENTS page 2

MTB "LCS" 296 lcs - ls (318200210\_318200999)



- |    |  |              |
|----|--|--------------|
| 21 | 0032301225<br>00                                     | 1 PULLEY     |
| 22 | 0001111242<br>10                                     | 1 SCREW      |
| 23 | 0001203477<br>10                                     | 2 LOCK WASHE |
| 24 | 0035551126<br>00                                     | 2 WASHER     |
| 25 | 0034043318<br>10                                     | 1 BELT       |
| 26 | 0034041140<br>40                                     | 1 FLANGE COU |
| 27 | 0034041123<br>60                                     | 1 BEARING    |
| 28 | 0032324575<br>00                                     | 1 SUPPORT    |
| 29 | 0032311095<br>00                                     | 1 SUPPORT    |
| 30 | 0035038422<br>80                                     | 1 KEY        |
| 31 | 0032311105<br>00                                     | 1 MAST       |
| 32 | 0034041100 ● 003404114050 (1)<br>90 003404112050 (2) | 1 SUPPORT    |

FRONT ELEVATOR

19 -

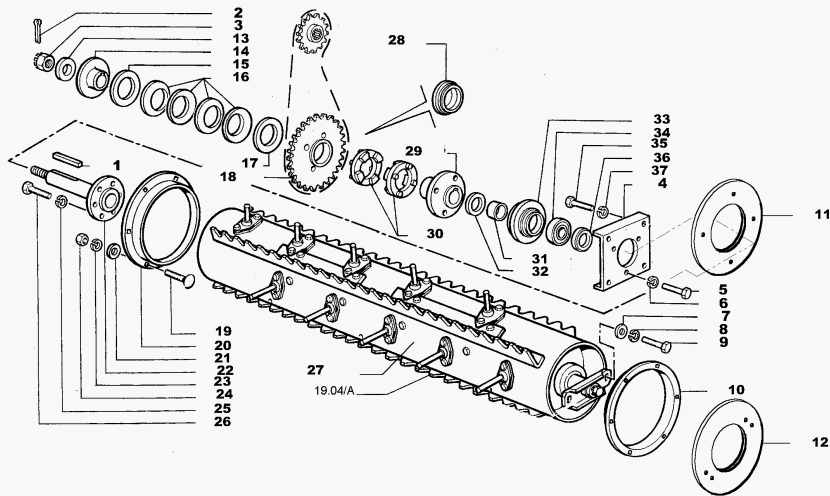
FEEDER ROLLER page 13

19 04/13



1919.04/  
13

MTB "LCS" 296 lcs - ls (318200210\_318200999)



- |    |           |                    |            |            |
|----|-----------|--------------------|------------|------------|
| 1  | 350384465 | 1                  | KEY        |            |
| 2  | 10733701  | 1                  | LINCH PIN  |            |
| 3  | 10723111  | 1                  | NUT        |            |
| 4  | 321869750 | 1                  | PLATE RETA |            |
| 5  | 11106021  | 1                  | SCREW      |            |
| 6  | 12034671  | 1                  | LOCK WASHE |            |
| 7  | 355511230 | 1                  | WASHER     |            |
| 8  | 12034771  | 1                  | LOCK WASHE |            |
| 9  | 15540521  | 1                  | SCREW      |            |
| 10 | 321869250 | 1                  | RING       |            |
| 11 | 322775450 | 1                  | DISC       |            |
| 12 | 322775550 | 1                  | DISC       |            |
| 13 | 355534350 | 1                  | WASHER     |            |
| 14 | 321869650 | 1                  | WASHER     |            |
| 15 | 300120563 | ● 003001205635 (1) | 1          | WASHER     |
| 16 | 350356058 | 1                  | SPRING     |            |
| 17 | 300114645 | 1                  | WASHER     |            |
| 18 | 322853350 | 1                  | GEAR       |            |
| 19 | 366000614 | 1                  | SCREW      |            |
| 20 | 321869250 | 1                  | RING       |            |
| 21 | 355510615 | 1                  | WASHER     |            |
| 22 | 320895850 | 1                  | SHAFT      |            |
| 23 | 12035670  | ● 000120356710 (1) | 1          | LOCK WASHE |
| 24 | 15896221  | 1                  | NUT        |            |
| 25 | 12034671  | 1                  | LOCK WASHE |            |
| 26 | 11106221  | 1                  | SCREW      |            |
| 27 | 322842800 | 1                  | ROLLER     |            |
| 28 | 312939360 | 1                  | BUSH       |            |
| 29 | 300131755 | 1                  | HUB        |            |
| 30 | 322701550 | 1                  | SLEEVE     |            |
| 31 | 300129094 | 1                  | BUSH       |            |
| 32 | 300019999 | 1                  | SPACER     |            |

286 LCS

Tambour d'alimentation  
Foerderwalze

RULLO ALIMENTATORE

Feeder roller  
Rodillo alimentador

19.04

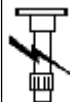
13/14 19040572000

FRONT ELEVATOR

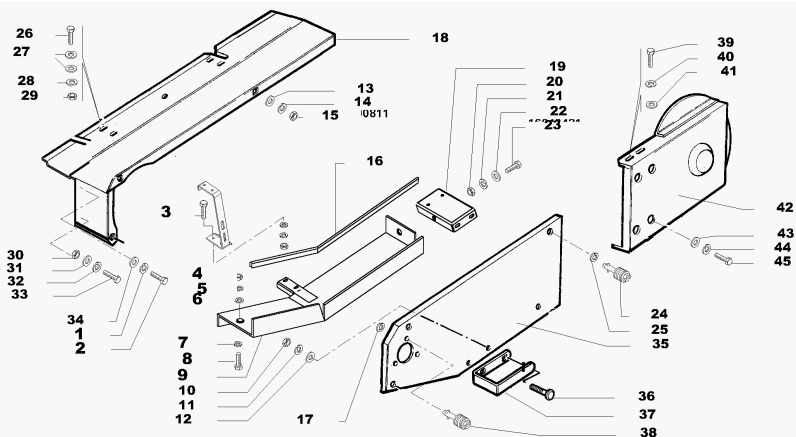
19 -  
19.04/7

FRONT ELEVATOR page 7

MTB "LCS" 296 lcs - ls (318200210\_318200999)



1919.04/  
7



- |    |           |   |            |
|----|-----------|---|------------|
| 1  | 12034571  | 1 | LOCK WASHE |
| 2  | 16043421  | 1 | SCREW      |
| 3  | 16043621  | 1 | SCREW      |
| 4  | 16100811  | 1 | NUT        |
| 5  | 12034571  | 1 | LOCK WASHE |
| 6  | 355510820 | 1 | WASHER     |
| 7  | 355510820 | 1 | WASHER     |
| 8  | 16043421  | 1 | SCREW      |
| 9  | 322776850 | 1 | SHIELD     |
| 10 | 16100811  | 1 | NUT        |
| 11 | 12034571  | 1 | LOCK WASHE |
| 12 | 355510820 | 1 | WASHER     |
| 13 | 355510820 | 1 | WASHER     |
| 14 | 12034571  | 1 | LOCK WASHE |
| 15 | 16100811  | 1 | NUT        |
| 16 | 322776150 | 1 | PROFILE    |
| 17 | 320899350 | 1 | WASHER     |
| 18 | 322776750 | 1 | SHIELD     |
| 19 | 322775950 | 1 | SUPPORT    |
| 20 | 16100811  | 1 | NUT        |
| 21 | 12034571  | 1 | LOCK WASHE |
| 22 | 355510820 | 1 | WASHER     |
| 23 | 16043421  | 1 | SCREW      |
| 24 | 321551650 | 1 | STEM       |
| 25 | 320899350 | 1 | WASHER     |
| 26 | 16043421  | 1 | SCREW      |
| 27 | 355510820 | 1 | WASHER     |
| 28 | 12034571  | 1 | LOCK WASHE |
| 29 | 16100811  | 1 | NUT        |
| 30 | 16100811  | 1 | NUT        |
| 31 | 355510820 | 1 | WASHER     |
| 32 | 12034571  | 1 | LOCK WASHE |
| 33 | 16043421  | 1 | SCREW      |
| 34 | 355510820 | 1 | WASHER     |

286 LCS

Elevateur avant  
Vorderelevator

ELEVATORE ANTERIORE (PROTEZIONI)

Front elevator  
Elevador anterior

19.04

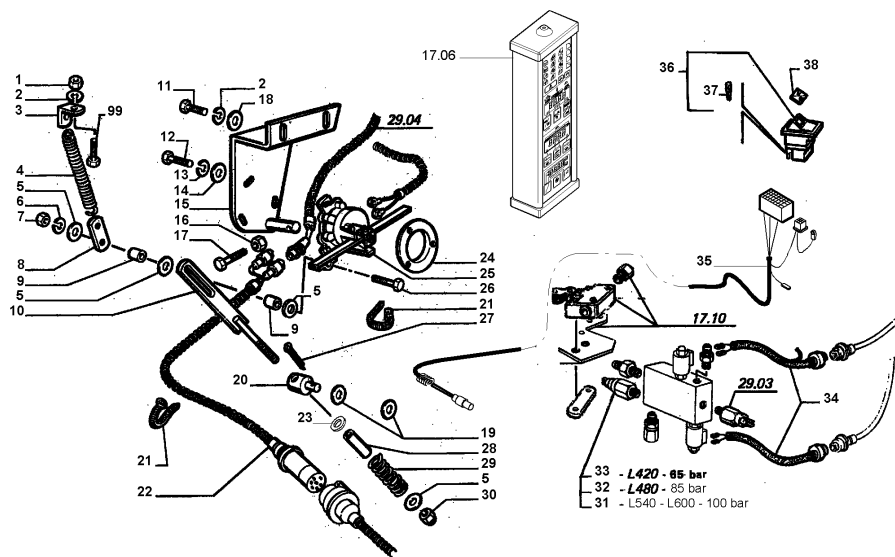
7/14 19040572000

FRONT ELEVATOR

19 -  
19.12\_2

CUTTER BAR LIFTING page 2

MTB "LCS" 296 lcs - ls (318200210\_318200999)



- |    |                  |   |            |
|----|------------------|---|------------|
| 32 | 0032214725<br>00 | 1 | PRESSURE S |
| 33 | 0032214715<br>00 | 1 | PRESSURE S |
| 34 | 0032194990<br>00 | 1 | WIRE/CABLE |
| 35 | 322761100        | 1 | WIRE/CABLE |
| 36 | 0032189680<br>00 | 1 | BUTTON     |
| 37 | 0001414379<br>00 | 1 | LAMPADA    |
| 38 | 0032186835<br>00 | 1 | PLATE      |
| 99 | 0001604362<br>40 |   | SCREW      |

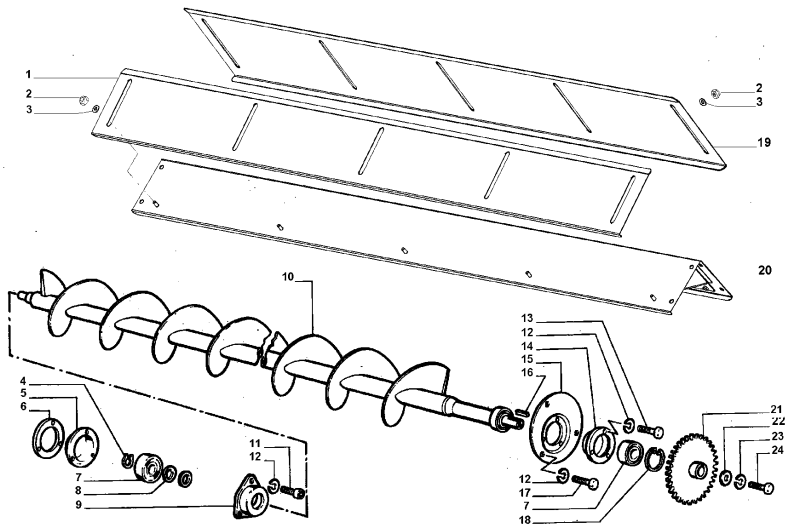


GRAIN TANK

25 -  
25.06\_1

GRAIN TANK UNLOADING AUGER

MTB "LCS" 296 lcs - ls (318200210\_318200999)



- |    |                  |   |            |
|----|------------------|---|------------|
| 1  | 323046150        | 1 | SPRING PLA |
| 2  | 16104111         | 1 | NUT        |
| 3  | 355520830        | 1 | WASHER     |
| 4  | 11067876         | 1 | SPRING LOC |
| 5  | 300112176        | 1 | COVER      |
| 6  | 321944750        | 1 | SHIM       |
| 7  | 28996530         | 1 | BEARING    |
| 8  | 355538710        | 1 | WASHER     |
| 9  | 300011962        | 1 | SUPPORT    |
| 10 | 0032185365<br>00 | 1 | AUGER      |
| 11 | 14420221         | 1 | SCREW      |
| 12 | 12034671         | 1 | LOCK WASHE |
| 13 | 11106221         | 1 | SCREW      |
| 14 | 321853450        | 1 | SUPPORT    |
| 15 | 321853550        | 1 | DISC       |
| 16 | 350384428        | 1 | KEY        |
| 17 | 11106021         | 1 | SCREW      |
| 18 | 11061076         | 1 | SPRING LOC |
| 19 | 323046150        | 1 | SPRING PLA |
| 20 | 0032304605<br>00 | 1 | TROUGH     |
| 21 | 300128263        | 1 | GEAR       |
| 22 | 355511240        | 1 | WASHER     |
| 23 | 12034771         | 1 | LOCK WASHE |
| 24 | 11112424         | 1 | SCREW      |

CLICK HERE TO **DOWNLOAD** THE COMPLETE MANUAL

- Thank you very much for reading the preview of the manual.
- You can download the complete manual from: [www.heydownloads.com](http://www.heydownloads.com) by clicking the link below



- Please note: If there is no response to CLICKING the link, please download this PDF first and then click on it.

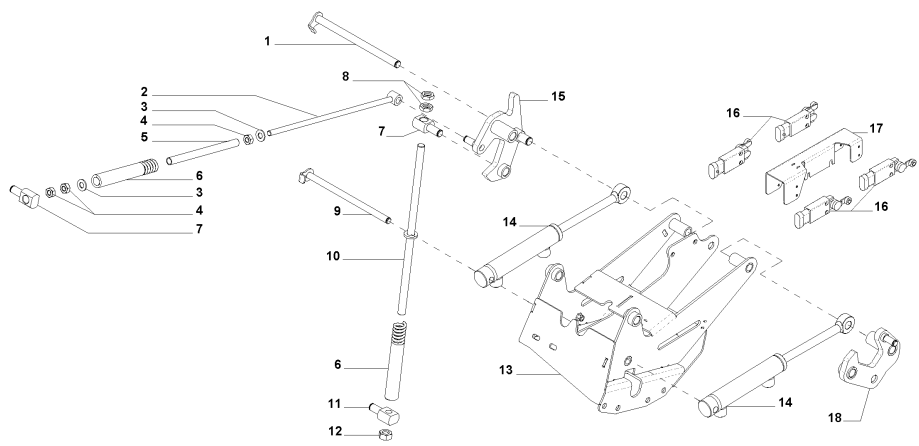
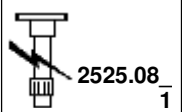
CLICK HERE TO **DOWNLOAD** THE COMPLETE MANUAL

GRAIN TANK

25 -  
25.08\_1

DRIVE AND UNLOADING TANK CLUTCH page 1

MTB "LCS" 296 lcs - ls (318200210\_318200999)



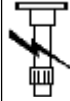
- |    |                  |   |            |
|----|------------------|---|------------|
| 1  | 0032338085<br>00 | 1 | PIN        |
| 2  | 0032338095<br>00 | 1 | TIE ROD    |
| 3  | 0035550112<br>00 | 2 | WASHER     |
| 4  | 0001170171<br>10 | 2 | NUT        |
| 5  | 0032338105<br>00 | 1 | SPACER     |
| 6  | 0035356115<br>90 | 2 | SPRING     |
| 7  | 0032283585<br>00 | 2 | BALL JOINT |
| 8  | 0001071742<br>10 | 1 | NUT        |
| 9  | 0032338075<br>00 | 1 | PIN        |
| 10 | 0032300695<br>00 | 1 | TIE ROD    |
| 11 | 0032281145<br>00 | 1 | BALL JOINT |
| 12 | 0001216321<br>10 | 1 | NUT        |
| 13 | 0032337815<br>00 | 1 | SUPPORT    |
| 14 | 0032338350<br>00 | 2 | CYLINDER   |
| 15 | 0032337855<br>00 | 1 | LEVER      |
| 16 | 0043017945<br>00 | 4 | SWITCH     |
| 17 | 0032337835<br>00 | 1 | STIRRUP    |
| 18 | 0032337845<br>00 | 1 | LEVER      |

GRAIN TANK

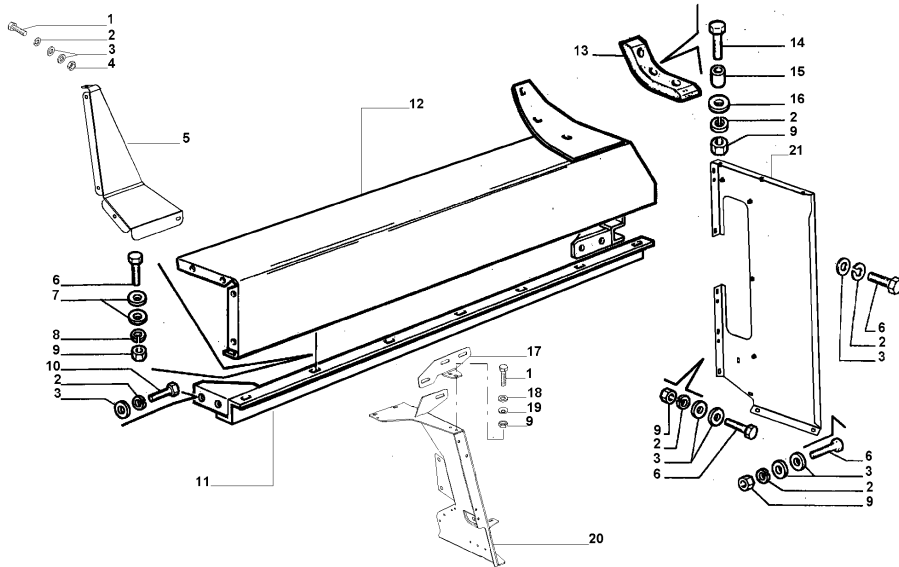
25 -  
25.22

BODY, L.H. FOR ENGINE

MTB "LCS" 296 lcs - ls (318200210\_318200999)



2525.22



- |    |           |   |            |
|----|-----------|---|------------|
| 1  | 16043421  | 1 | SCREW      |
| 2  | 12034571  | 1 | LOCK WASHE |
| 3  | 355510820 | 1 | WASHER     |
| 4  | 16100811  | 1 | NUT        |
| 5  | 322967150 | 1 | MOLDING    |
| 6  | 16043424  | 1 | SCREW      |
| 7  | 355510820 | 1 | WASHER     |
| 8  | 12034571  | 1 | LOCK WASHE |
| 9  | 16100811  | 1 | NUT        |
| 10 | 16100824  | 1 | NUT        |
| 11 | 323041350 | 1 | PROFILE    |
| 12 | 322950050 | 1 | COVER      |
| 13 | 321876350 | 1 | ABUTMENT   |
| 14 | 16043624  | 1 | SCREW      |
| 15 | 344158144 | 1 | BUSH       |
| 16 | 355500915 | 1 | WASHER     |
| 17 | 323004250 | 1 | SUPPORT    |
| 18 | 355500920 | 1 | WASHER     |
| 19 | 322358    | 1 | WASHER     |
| 20 | 323033150 | 1 | STIRRUP    |
| 21 | 323041250 | 1 | COVER      |

GUARD AND FAIRINGS

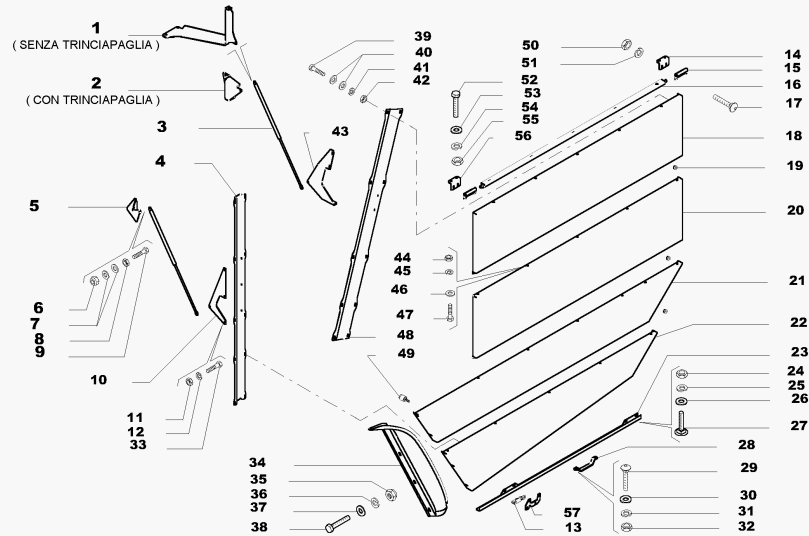
26 -  
26.06/2

L.H. REAR SIDE WALL GUARD page2

MTB "LCS" 296 lcs - ls (318200210\_318200999)



2626.06/  
2



- |    |           |   |            |
|----|-----------|---|------------|
| 34 | 323074150 | 1 | FENDER     |
| 35 | 12574211  | 1 | NUT        |
| 36 | 12035671  | 1 | LOCK WASHE |
| 37 | 355500615 | 1 | WASHER     |
| 38 | 10902221  | 1 | SCREW      |
| 39 | 16043221  | 1 | SCREW      |
| 40 | 355500920 | 1 | WASHER     |
| 41 | 12034571  | 1 | LOCK WASHE |
| 42 | 16100811  | 1 | NUT        |
| 43 | 323087350 | 1 | CONSOLE    |
| 44 | 16100811  | 1 | NUT        |
| 45 | 12034571  | 1 | LOCK WASHE |
| 46 | 355500920 | 1 | WASHER     |
| 47 | 16043221  | 1 | SCREW      |
| 48 | 323081550 | 1 | PROFILE    |
| 49 | 201139752 | 1 | RUBBER STO |
| 50 | 16100811  | 1 | NUT        |
| 51 | 12034571  | 1 | LOCK WASHE |
| 52 | 16043421  | 1 | SCREW      |
| 53 | 355500920 | 1 | WASHER     |
| 54 | 12034571  | 1 | LOCK WASHE |
| 55 | 16100811  | 1 | NUT        |
| 56 | 323041550 | 1 | STIRRUP    |
| 57 | 323083950 | 1 | PLATE      |

286 LCS

Protection arriere flanc gauche  
Hinterschutzblech seitenwand links

PROTEZIONE POSTERIORE LATO SINISTRO

L.H. rear side wall guard  
Proteccion posterior costado izquierdo

26.06

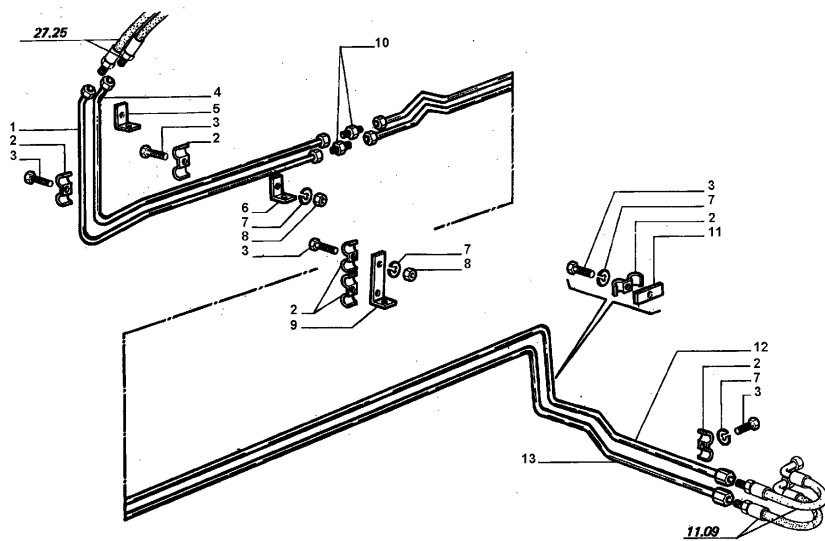
2/3 26060152006

HYDRAULIC SYSTEM

28 -  
28.05\_2

DRIVE HYDRAULIC CIRCUIT page 2

MTB "LCS" 296 lcs - ls (318200210\_318200999)



- |    |           |                    |   |            |
|----|-----------|--------------------|---|------------|
| 1  | 321881050 |                    | 1 | PIPE       |
| 2  | 300136688 |                    | 1 | BRIDLE     |
| 3  | 10902621  |                    | 1 | SCREW      |
| 4  | 321881250 |                    | 1 | PIPE       |
| 5  | 300132974 |                    | 1 | BRIDLE     |
| 6  | 300132973 |                    | 1 | BRIDLE     |
| 7  | 12035670  | ● 000120356710 (1) | 1 | LOCK WASHE |
| 8  | 15896221  |                    | 2 | NUT        |
| 9  | 321963750 |                    | 1 | BRIDLE     |
| 10 | 321420150 |                    | 1 | UNION      |
| 11 | 301378460 |                    | 1 | BRIDLE     |
| 12 | 321881150 |                    | 1 | STANDPIPE  |
| 13 | 321881350 |                    | 1 | PIPE       |

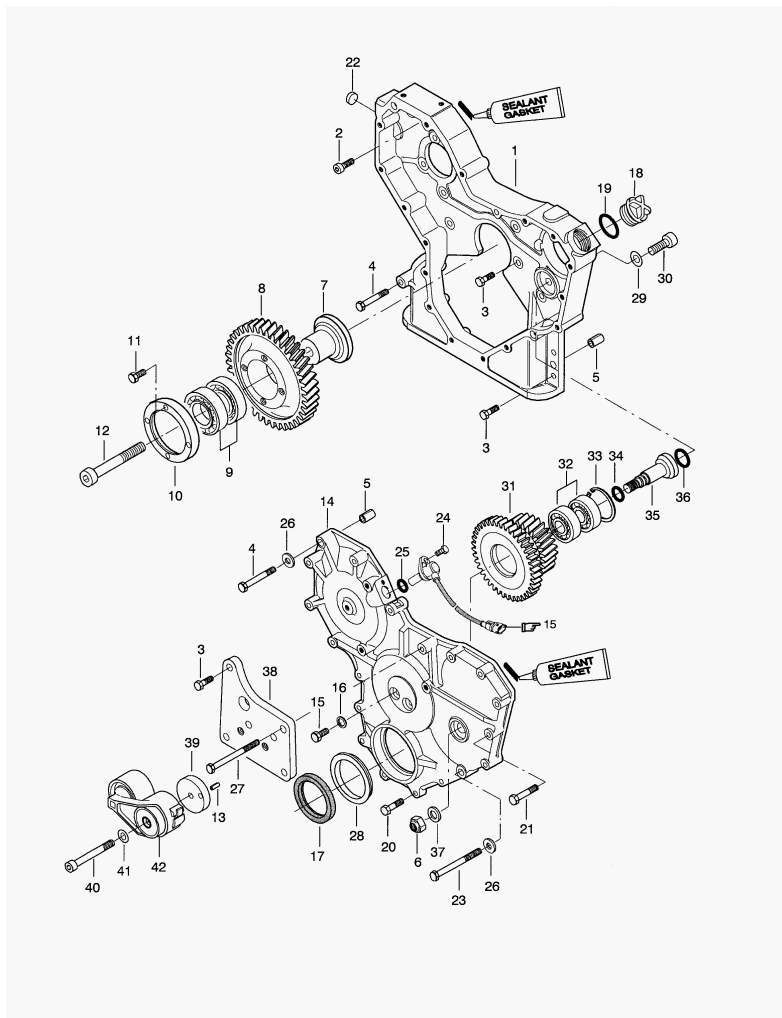
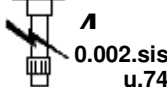
SISU Diesel 74

0.00

Housing

MTB "LCS" 296 lcs - ls (318200210\_318200999)

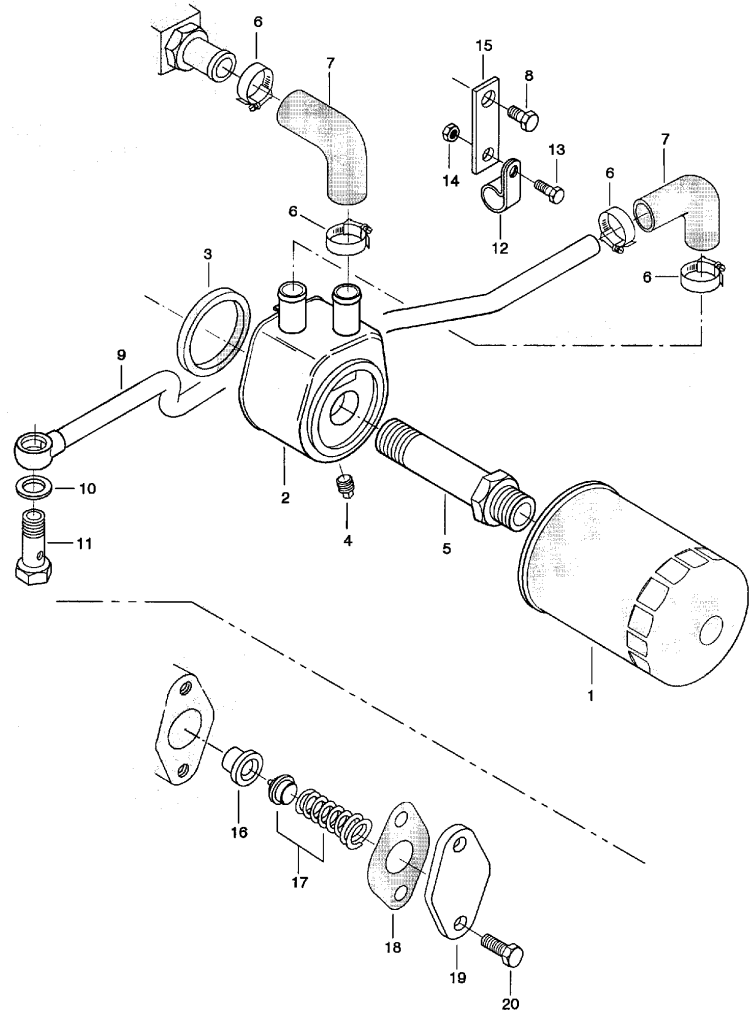
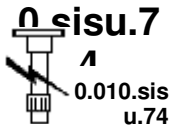
2 sisu.7



- 32 610073040
- 33 617330052
- 34 614601324
- 35 837069069
- 36 504601400
- 37 837069070
- 38 837070288
- 39 837067787
- 40 581805170
- 41 500951000
- 42 836667411

- 2 BEARING
- 1 CIRCLIP
- 1 O-RING
- 1 SHAFT
- 1 NUT
- 1 FLANGE
- 1 BASE PLATE
- 1 FLANGE
- 1 BOLT
- 1 WASHER
- 1 TENSIONER,

MTB "LCS" 296 lcs - ls (318200210\_318200999)



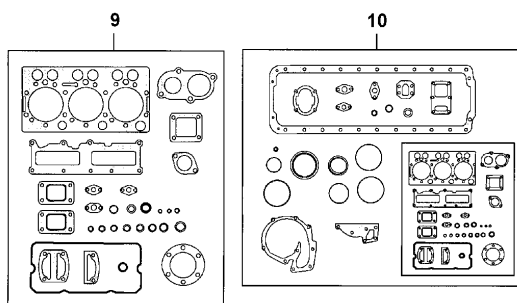
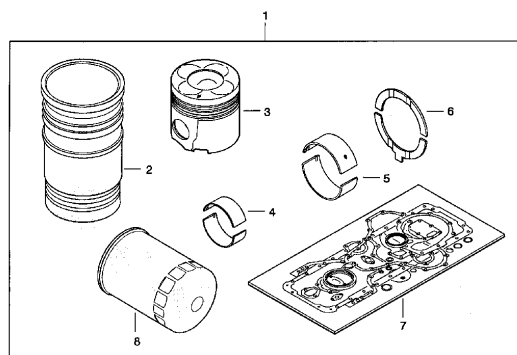
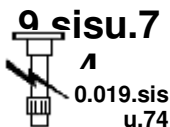
|              |                    |              |
|--------------|--------------------|--------------|
| 836662130    |                    | 1 CHECK CONT |
| 1 836662580  | ● 003231706500 (1) | 1 OIL FILTER |
| 2 836859699  |                    | 1 OIL COOLER |
| 3 836862235  |                    | 1 GASKET     |
| 4 836131366  | ● 006400040040 (1) | 1 PLUG       |
| 5 836859700  |                    | 1 UNION      |
| 6 602079516  |                    | 4 KNOTTER    |
| 7 836859899  |                    | 2 PIPE       |
| 8 528801760  |                    | 1 BOLT       |
| 9 837070173  |                    | 1 PIPE       |
| 10 615881822 |                    | 2 GASKET     |
| 11 640435015 |                    | 1 BOLT       |
| 12 602074615 |                    | 1 CLAMP      |
| 13 529801380 |                    | SCREW        |
| 14 504800800 |                    | 1 NUT        |
| 15 837070143 |                    | 1 SUPPORT    |
| 16 836659521 |                    | 1 VALVE SEAT |
| 17 836667650 |                    | 1 VALVE      |
| 18 836322190 |                    | 1 GASKET     |
| 19 836659524 |                    | 1 COVER      |
| 20 528801380 |                    | 2 BOLT       |

SISU Diesel 74

0.01

KIT ENGINE OVERHAUL

MTB "LCS" 296 lcs - ls (318200210\_318200999)



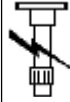
- |    |           |                    |   |            |
|----|-----------|--------------------|---|------------|
| 1  | 837062648 |                    | 1 | KIT REPAIR |
| 2  | 83666990  |                    | 6 | CYLINDER   |
| 3  | 837064948 |                    | 6 | PISTON     |
| 4  | 836110552 |                    | 6 | HALF-RING  |
| 5  | 836840944 |                    | 7 | HALF BEARI |
| 6  | 836840945 |                    | 2 | BACKBONE   |
| 7  | 837062644 |                    | 1 | GASKET     |
| 8  | 836662580 | ● 003231706500 (1) | 1 | OIL FILTER |
| 9  | 837062643 |                    | 1 | GASKET     |
| 10 | 837062644 |                    | 1 | GASKET     |

STRAW WALKERS

21 -  
21.12/1

SWATH RAKE

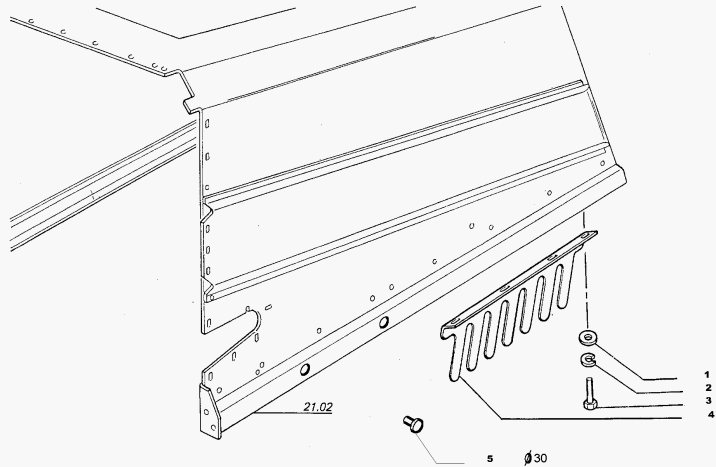
MTB "LCS" 296 lcs - ls (318200210\_318200999)



2121.12/  
1

- 1 355510820
- 2 12034571
- 3 16043424
- 4 322342250
- 5 5120060

- 1 WASHER
- 1 LOCK WASHE
- 1 SCREW
- 1 RAKE
- 1 PLUG



286 LCS

Carenage arrière  
Hintere Karosserie

PETTINE ANDANATORE

Rear body  
Carenado posterior

21.12

1/1 21120552006

STRAW WALKERS

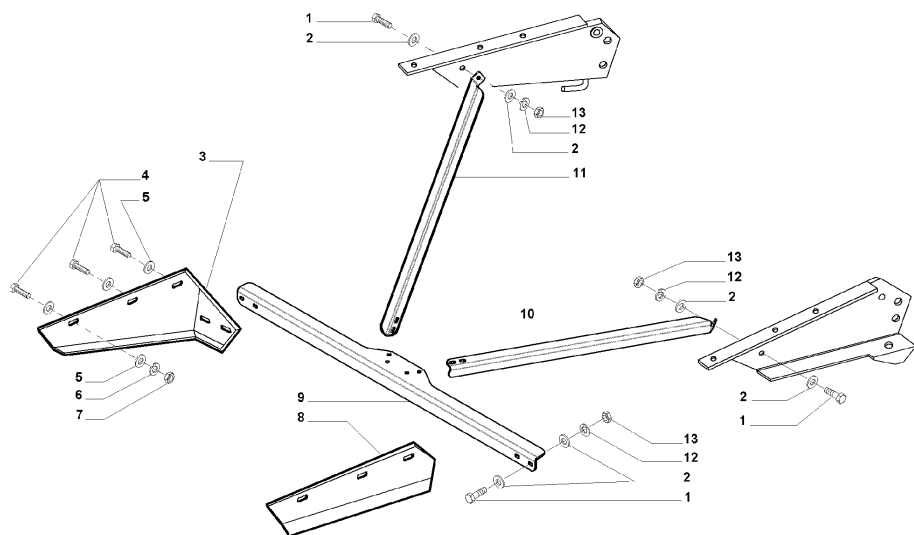
21 -

STRAW-CHOPPER-BODY STIFFENER

21 24\_0



MTB "LCS" 296 lcs - ls (318200210\_318200999)

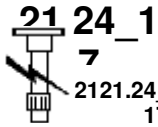


- |    |           |   |            |
|----|-----------|---|------------|
| 1  | 11106421  | 3 | SCREW      |
| 2  | 355501120 | 4 | WASHER     |
| 3  | 322873250 | 1 | STIRRUP    |
| 4  | 16043621  | 3 | SCREW      |
| 5  | 355500920 | 6 | WASHER     |
| 6  | 12034571  | 1 | LOCK WASHE |
| 7  | 16100811  | 1 | NUT        |
| 8  | 322873350 | 1 | STIRRUP    |
| 9  | 323308650 | 1 | BRACKET    |
| 10 | 323308750 | 1 | BRACKET    |
| 11 | 323308850 | 1 | BRACKET    |
| 12 | 12034671  | 3 | LOCK WASHE |
| 13 | 11701711  | 3 | NUT        |

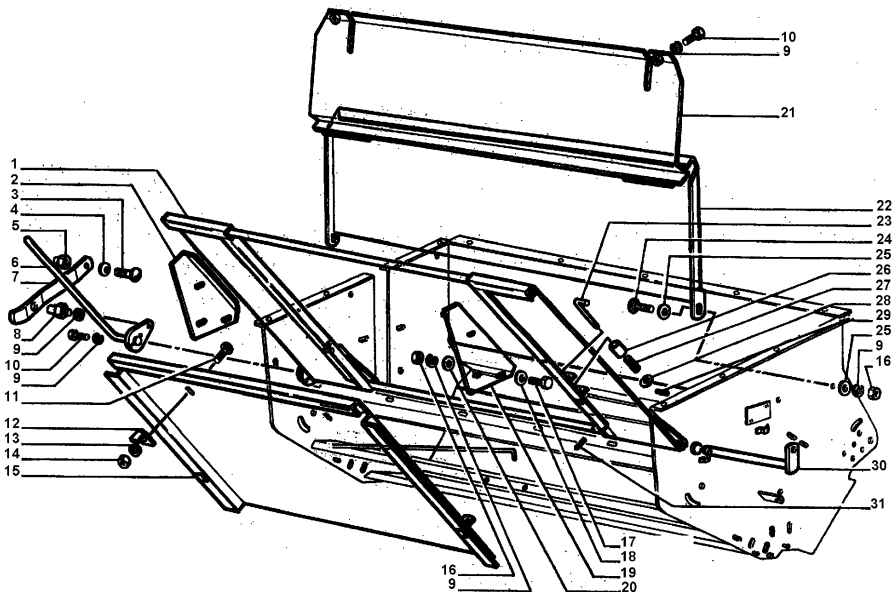
STRAW WALKERS

21 -

STRAW CHOPPER-STRAW CHOPPER EXCLUSION DEVICE



MTB "LCS" 296 lcs - ls (318200210\_318200999)



- |    |           |   |            |
|----|-----------|---|------------|
| 1  | 322346950 | 1 | FRAME      |
| 2  | 322161050 | 1 | SUPPORT    |
| 3  | 366000612 | 1 | SCREW      |
| 4  | 321365050 | 1 | SPRING     |
| 5  | 322218650 | 1 | NUT        |
| 6  | 322324150 | 1 | LEVER LEAD |
| 7  | 322413750 | 1 | PLATE      |
| 8  | 322413650 | 1 | PIN        |
| 9  | 12034571  | 1 | LOCK WASHE |
| 10 | 16043424  | 1 | SCREW      |
| 11 | 366000607 | 1 | SCREW      |
| 12 | 322326150 | 1 | BRACKET, S |
| 13 | 12035670  | 1 | LOCK WASHE |
| 14 | 15896221  | 1 | NUT        |
| 15 | 322347050 | 1 | SKID       |
| 16 | 16100811  | 1 | NUT        |
| 17 | 16043224  | 1 | SCREW      |
| 18 | 355500915 | 1 | WASHER     |
| 19 | 322161150 | 1 | SUPPORT    |
| 20 | 355500915 | 1 | WASHER     |
| 21 | 322347850 | 1 | SKID       |
| 22 | 322347950 | 1 | SKID       |
| 23 | 322324250 | 1 | LATCH      |
| 24 | 350342513 | 1 | SCREW      |
| 25 | 355510820 | 1 | WASHER     |
| 26 | 322331250 | 1 | SPACER     |
| 27 | 350356208 | 1 | SPRING     |
| 28 | 355530130 | 1 | WASHER     |
| 29 | 13902070  | 1 | DOWEL      |
| 30 | 322348250 | 1 | LEVER LEAD |
| 31 | 14600970  | 1 | PLUG       |

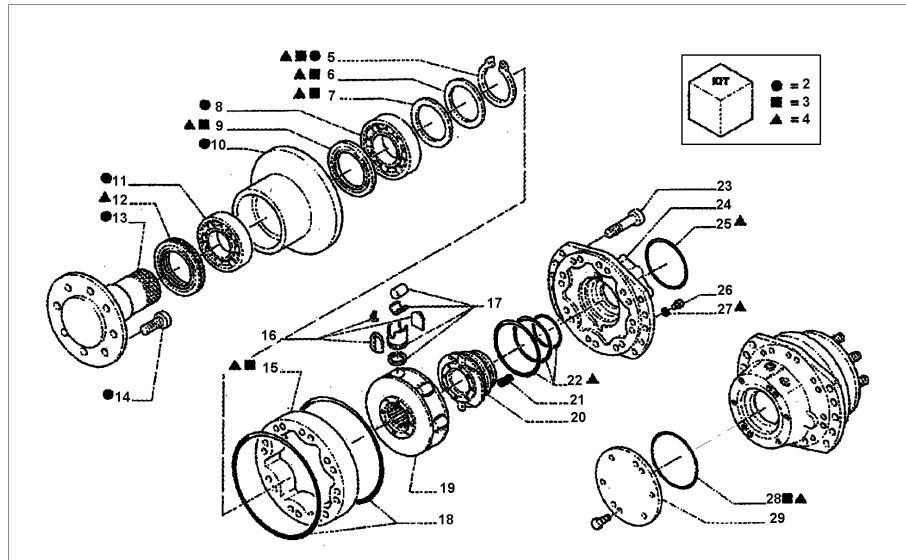
● 000120356710 (1)

TRACTION

11 -  
11.06\_3

POWERED REAR AXLE FOUR WD page 3

MTB "LCS" 296 lcs - ls (318200210\_318200999)



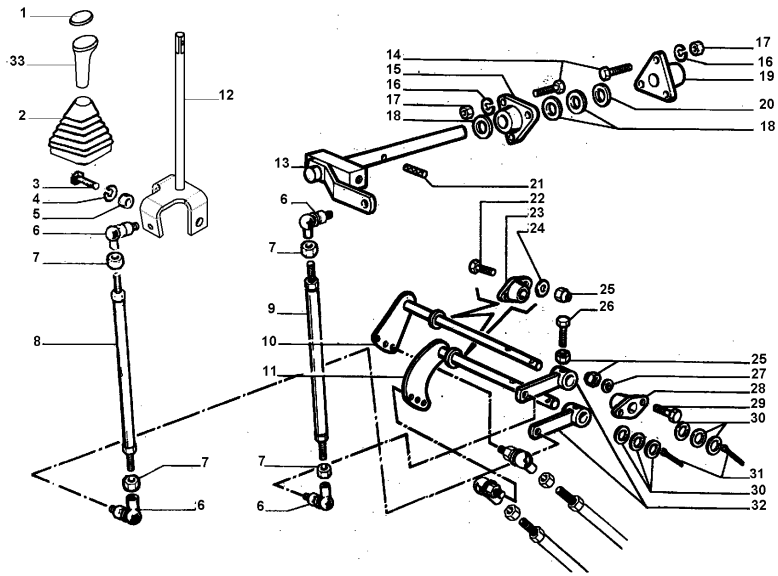
- |    |           |   |            |
|----|-----------|---|------------|
| 1  | 9512176   | 1 | HYDRAULIC  |
| 2  | 84018659  | 1 | SUPPORT    |
| 3  | 89512219  | 1 | KIT SEALS  |
| 4  | 89512220  | 1 | KIT SEALS  |
| 5  | 89512190  | 1 | RING       |
| 6  | 89512189  | 1 | WASHER     |
| 7  | 89512217  | 1 | RING       |
| 8  | 89512188  | 1 | BEARING    |
| 9  | 89512187  | 1 | GASKET     |
| 10 | 89512186  | 1 | SUPPORT    |
| 11 | 89512185  | 1 | BEARING    |
| 12 | 322718650 | 1 | GASKET     |
| 13 | 89512181  | 1 | SUPPORT    |
| 14 | 89512182  | 1 | COLUMN     |
| 15 | 89512192  | 1 | RING       |
| 16 | 84018631  | 1 | KIT SEALS  |
| 17 | 89512215  | 1 | KIT SEALS  |
| 18 | 89512199  | 1 | O-RING     |
| 19 | 84018630  | 1 | IMPELLER   |
| 20 | 89512193  | 1 | DISTRIBUTO |
| 21 | 89512195  | 1 | SPRING     |
| 22 | 89512218  | 1 | KIT SEALS  |
| 23 | 84018635  | 1 | SCREW      |
| 24 | 84018632  | 1 | COVER      |
| 25 | 89512197  | 1 | O-RING     |
| 26 | 84018634  | 1 | SCREW      |
| 27 | 84018633  | 1 | AIRTIGHT E |
| 28 | 89512197  | 1 | O-RING     |
| 29 | 323100650 | 1 | COVER      |

TRACTION

11 -  
11.13\_1

SHIFT LEVERS page 1

MTB "LCS" 296 lcs - ls (318200210\_318200999)



TRACTION

11 -  
11.19\_A

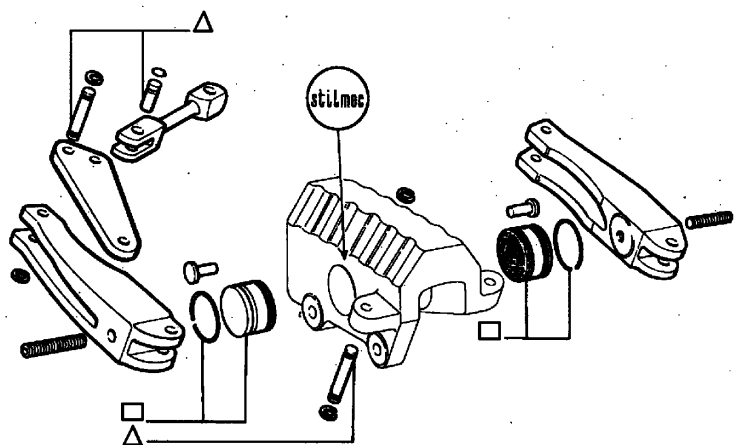
PARKING BRAKE ELEMENTS

MTB "LCS" 296 lcs - ls (318200210\_318200999)



- 1 322482200
- 2 321155400

- 1 SET OF PAS
- 1 SET OF PLU

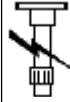


TRACTION

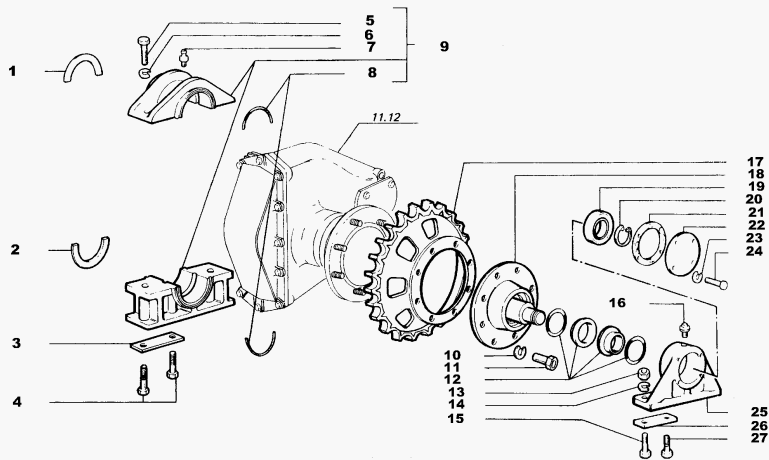
11 -  
13.88/2

CRAWLER TRACKS page 2

MTB "LCS" 296 lcs - ls (318200210\_318200999)



1113.88/  
2



- |    |           |   |            |
|----|-----------|---|------------|
| 1  | 300132992 | 1 | HALF-RING  |
| 2  | 300132992 | 1 | HALF-RING  |
| 3  | 300132996 | 1 | PLATE      |
| 4  | 366172030 | 1 | SCREW      |
| 5  | 15988531  | 1 | SCREW      |
| 6  | 12035071  | 1 | LOCK WASHE |
| 7  | 350357803 | 1 | NIPPLE, LU |
| 8  | 300134550 | 1 | GASKET     |
| 9  | 313299000 | 1 | SUPPORT    |
| 10 | 350354533 | 1 | LOCK WASHE |
| 11 | 321119750 | 1 | NUT        |
| 12 | 311455700 | 1 | GASKET     |
| 13 | 10721121  | 1 | NUT        |
| 14 | 12035071  | 1 | LOCK WASHE |
| 15 | 15988521  | 1 | SCREW      |
| 16 | 350359405 | 1 | PLUG       |
| 17 | 322581850 | 1 | WHEEL      |
| 18 | 320779450 | 1 | PIN        |
| 19 | 340405365 | 1 | BEARING    |
| 20 | 11070076  | 1 | SPRING LOC |
| 21 | 300132994 | 1 | GASKET     |
| 22 | 300132997 | 1 | COVER      |
| 23 | 12034571  | 1 | LOCK WASHE |
| 24 | 16043424  | 1 | SCREW      |
| 25 | 300132991 | 1 | SUPPORT    |
| 26 | 300132996 | 1 | PLATE      |
| 27 | 366172030 | 1 | SCREW      |

● 000159885310 (1)

286 LCS

Chenilles  
Raupenkettan

CINGOLATURA - A 7 RULLI

Crawler tracks  
Orugas

13.88

2/6 00711181601

TRACTION

11 -  
17.02\_1

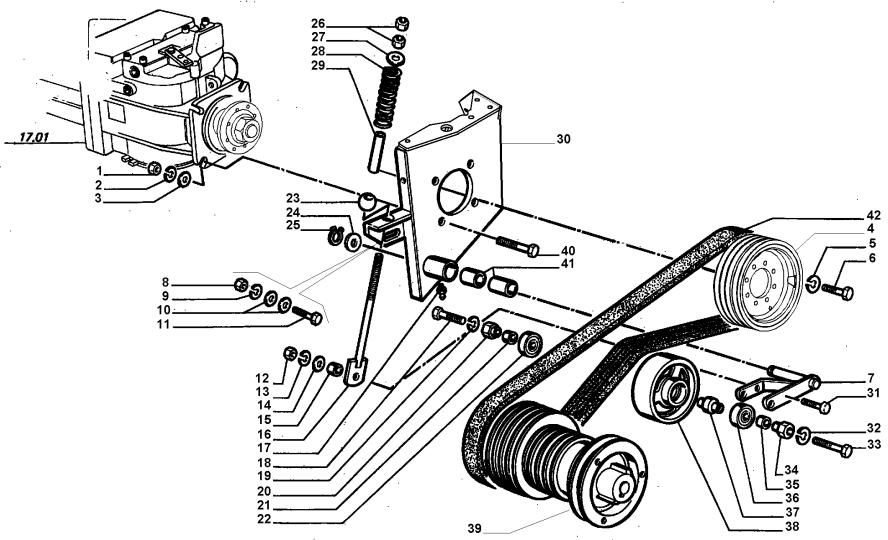
PUMP DRIVE page 1

MTB "LCS" 296 lcs - ls (318200210\_318200999)



- 30 0032337685  
00
- 31 11112424
- 32 12034771
- 33 15232821
- 34 300134396

- 1 PLATE
- 1 SCREW
- 1 LOCK WASHE
- 1 SCREW
- 1 BUSH

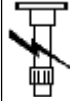


TRACTION

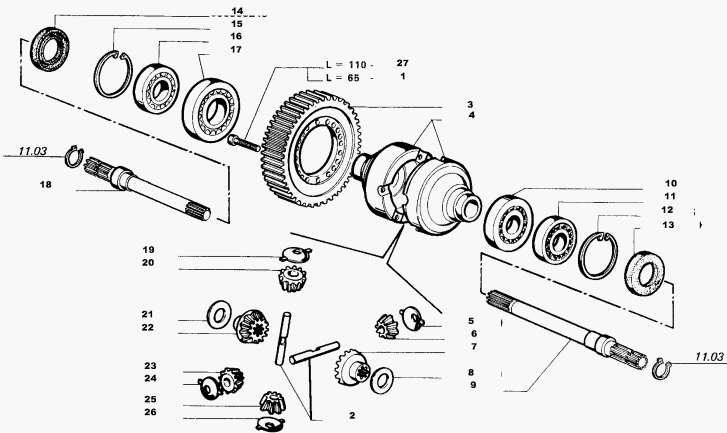
11 -  
17.03/6

GEAR BOX page 4

MTB "LCS" 296 lcs - ls (318200210\_318200999)



1117.03/  
6



- |    |           |   |            |
|----|-----------|---|------------|
| 1  | 14422634  | 1 | SCREW      |
| 2  | 321913250 | 1 | PIN        |
| 3  | 322099550 | 1 | CROWNWHEEL |
| 4  | 321873500 | 1 | BOX        |
| 5  | 321913350 | 1 | WASHER     |
| 6  | 322095450 | 1 | PINION, ID |
| 7  | 322095350 | 1 | GEAR, PLAN |
| 8  | 321913450 | 1 | WASHER     |
| 9  | 321900450 | 1 | HALFSHAFT  |
| 10 | 20645490  | 1 | BEARING    |
| 11 | 20973340  | 1 | BEARING    |
| 12 | 11062976  | 1 | SPRING LOC |
| 13 | 353583240 | 1 | GASKET     |
| 14 | 353583240 | 1 | GASKET     |
| 15 | 11062976  | 1 | SPRING LOC |
| 16 | 20973340  | 1 | BEARING    |
| 17 | 28042550  | 1 | BEARING    |
| 18 | 321900550 | 1 | HALFSHAFT  |
| 19 | 321913350 | 1 | WASHER     |
| 20 | 322095450 | 1 | PINION, ID |
| 21 | 321913450 | 1 | WASHER     |
| 22 | 322095350 | 1 | GEAR, PLAN |
| 23 | 322095450 | 1 | PINION, ID |
| 24 | 321913350 | 1 | WASHER     |
| 25 | 322095450 | 1 | PINION, ID |
| 26 | 321913350 | 1 | WASHER     |
| 27 | 14423534  | 1 | SCREW      |

286 LCS

Boîte de vitesses  
Getriebegehäuse

CAMBIO

Gear box  
Caja del cambio

17.03

6/6 17030332000

TRACTION

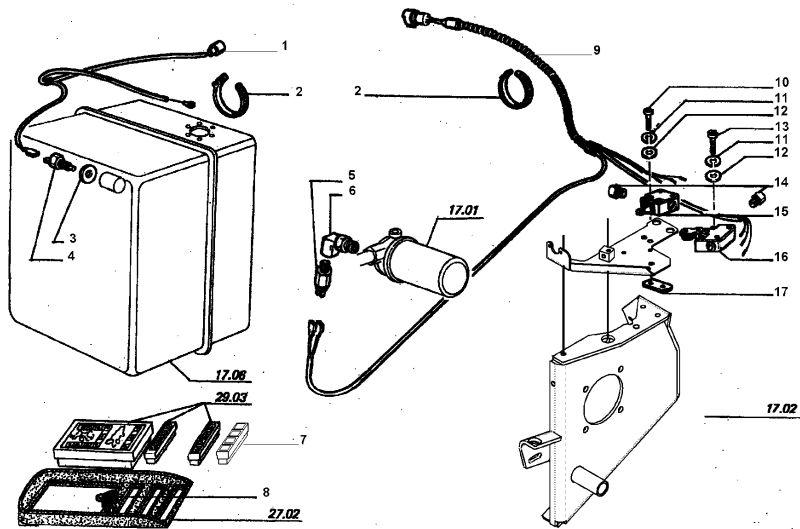
11 -  
17.10\_2

MULTIFUNCTIONS LEVER FOR HYDROSTATIC TRACT. page2

MTB "LCS" 296 lcs - ls (318200210\_318200999)



- |    |           |   |            |
|----|-----------|---|------------|
| 1  | 322876800 | 1 | WIRE/CABLE |
| 2  | 340481806 | 2 | CLAMP      |
| 3  | 355561430 | 1 | WASHER     |
| 4  | 321708050 | 1 | CONTACT    |
| 5  | 321701450 | 1 | PRESSURE S |
| 6  | 322764350 | 1 | UNION      |
| 7  | 323001200 | 1 | INDICATOR  |
| 8  | 321919750 | 1 | DIODE      |
| 9  | 322864500 | 1 | CABLE      |
| 10 | 13273221  | 1 | SCREW      |
| 11 | 12035371  | 1 | LOCK WASHE |
| 12 | 355500515 | 1 | WASHER     |
| 13 | 13273021  | 1 | SCREW      |
| 14 | 321910400 | 1 | CABLE CLIP |
| 15 | 322622400 | 1 | SWITCH     |
| 16 | 322622500 | 1 | SWITCH     |
| 17 | 322226450 | 1 | PLATE      |

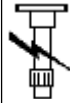


VARIATIONS

100  
- 074/1

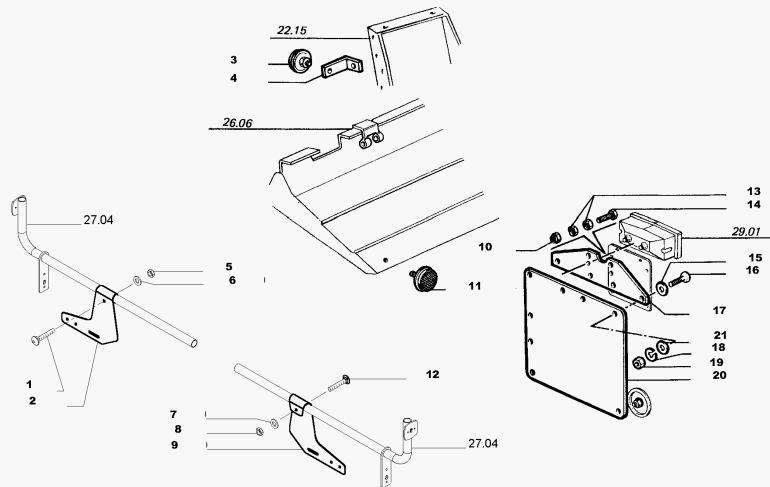
SWITZERLAND VERSION

MTB "LCS" 296 lcs - ls (318200210\_318200999)



100074/1

- |    |           |                    |   |            |
|----|-----------|--------------------|---|------------|
| 1  | 13178601  |                    | 1 | SCREW      |
| 2  | 323201650 |                    | 1 | SUPPORT    |
| 3  | 320968900 |                    | 1 | REFLECTOR  |
| 4  | 322194950 |                    | 1 | BRACKET, S |
| 5  | 12574211  |                    | 1 | NUT        |
| 6  | 355510620 | ● 003555106150 (1) | 1 | WASHER     |
| 7  | 355510620 | ● 003555106150 (1) | 1 | WASHER     |
| 8  | 12574211  |                    | 1 | NUT        |
| 9  | 323201650 |                    | 1 | SUPPORT    |
| 10 | 12574211  |                    | 1 | NUT        |
| 11 | 320968900 |                    | 1 | REFLECTOR  |
| 12 | 13178601  |                    | 1 | SCREW      |
| 13 | 15896211  |                    | 1 | NUT        |
| 14 | 16050621  |                    | 1 | SCREW      |
| 15 | 355510615 |                    | 1 | WASHER     |
| 16 | 10902224  |                    | 1 | SCREW      |
| 17 | 322397050 |                    | 1 | SUPPORT    |
| 18 | 12035671  |                    | 1 | LOCK WASHE |
| 19 | 15896211  |                    | 1 | NUT        |
| 20 | 321999050 |                    | 1 | PANEL      |
| 21 | 355510615 |                    | 1 | WASHER     |



286 LCS

Equipment Suisse  
Ausrustung fuer Schweiz

ALLESTIMENTO SVIZZERA

Switzerland version  
Alislarmento Suiza

074

1/1 30040172005

VARIATIONS

100  
- 290/2

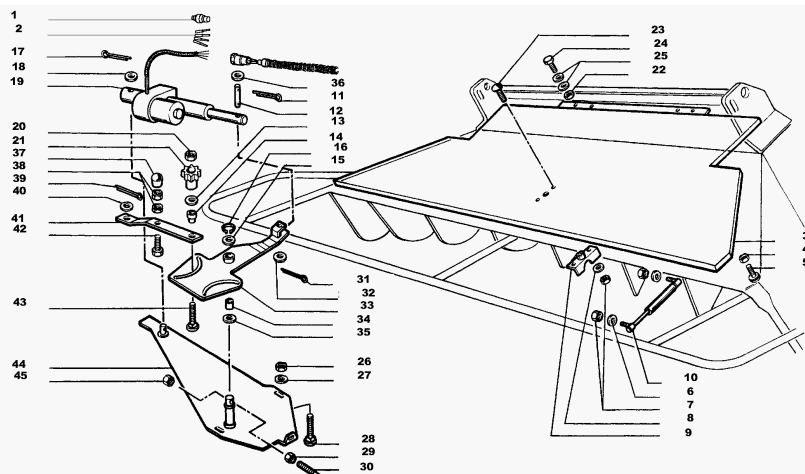
ELECTRICAL ADJUSTMENT DEFLECTORS page2

MTB "LCS" 296 lcs - ls (318200210\_318200999)



100290/2

- |    |            |                    |   |          |
|----|------------|--------------------|---|----------|
| 21 | 0008070327 |                    | 1 | KNOB     |
|    | 00         |                    |   |          |
| 22 | 0008970669 |                    | 1 | NUT,HEX. |
|    | 00         |                    |   |          |
| 23 | 0008012003 | ● 000865074860 (1) | 1 | BOLT     |
|    | 70         |                    |   |          |



286 LCS

REGOLAZIONE ELETTRICA DEFLETTORI

*Deflecteur réglable électrique*  
*Elektrische einstellbare ableitblech*

*Electrical adjustment deflectors*  
*Deflector regulable electrica*

290

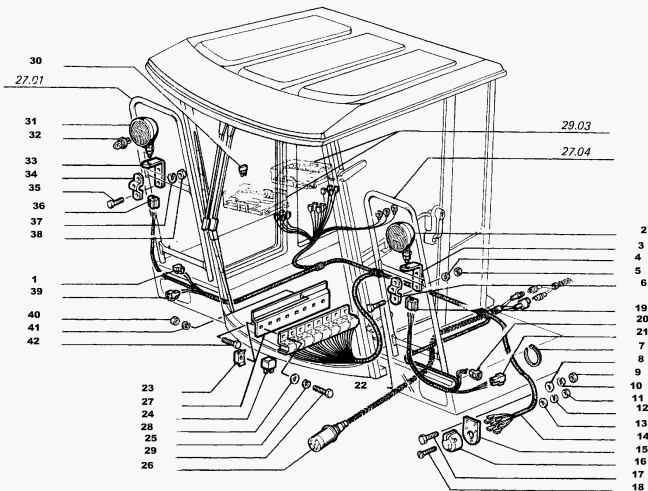
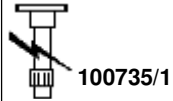
2/2 21250131003

VARIATIONS

100  
- 735/1

ADDITIONAL ELECTRIC SYSTEM

MTB "LCS" 296 lcs - ls (318200210\_318200999)



- |    |           |  |   |            |
|----|-----------|--|---|------------|
| 1  | 12066780  |  | 1 | UNIVERSAL  |
| 2  | 322313600 | ● 000804188630 (1)                     | 1 | LAMP       |
| 3  | 322516950 |  | 1 | BRACKET PL |
| 4  | 12034571  |  | 1 | LOCK WASHE |
| 5  | 16100811  |  | 1 | NUT        |
| 6  | 300114165 |  | 1 | RETAINING  |
| 7  | 340481810 |  | 1 | CLAMP      |
| 8  | 355510615 |  | 1 | WASHER     |
| 9  | 15896221  |  | 1 | NUT        |
| 10 | 12035670  | ● 000120356710 (1)                     | 1 | LOCK WASHE |
| 11 | 15896421  | ● 000158964110 (1)                     | 1 | NUT        |
| 12 | 12035471  |  | 1 | LOCK WASHE |
| 13 | 355510615 |  | 1 | WASHER     |
| 14 | 322602250 |  | 1 | WIRE/CABLE |
| 15 | 322602150 |  | 1 | SUPPORT    |
| 16 | 12053790  | ● 000051021560 (1)<br>000051022340 (1) | 1 | REAR SOCKE |
| 17 | 10902424  |  | 1 | SCREW      |
| 18 | 10390311  |  | 1 | SCREW      |
| 19 | 12057980  |  | 1 | UNIVERSAL  |
| 20 | 12066780  |  | 1 | UNIVERSAL  |
| 21 | 12066880  |  | 1 | UNIVERSAL  |
| 22 | 16043424  |  | 1 | SCREW      |
| 23 | 321284450 |  | 1 | NUT        |
| 24 | 321908450 |  | 1 | SWITCH, RE |
| 25 | 12035471  |  | 1 | LOCK WASHE |
| 26 | 322313400 |  | 1 | WIRE/CABLE |
| 27 | 322516850 |  | 1 | SUPPORT    |
| 28 | 355500510 |  | 1 | WASHER     |
| 29 | 10977621  |  | 1 | SCREW      |

286 LCS

IMPIANTO ELETTRICO BARRA RIPIEGHEVOLE  
Installation électrique  
Zusätzlicher elektrischer

735

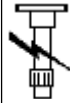
1/1 7117351790

VARIATIONS

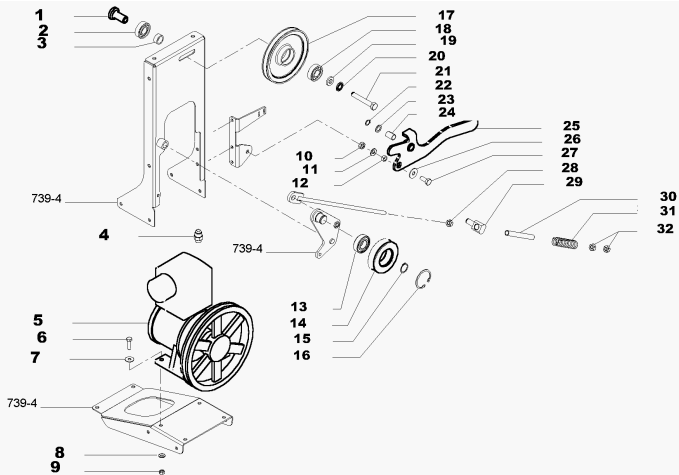
**100**  
**- 739/5**

COMPRESSE AIR RECEIV pag 5

MTB "LCS" 296 lcs - ls (318200210\_318200999)



100739/5



- |    |           |                    |   |            |
|----|-----------|--------------------|---|------------|
| 1  | 323211750 |                    | 1 | BUSH       |
| 2  | 28996510  |                    | 1 | BEARING    |
| 3  | 323211850 |                    | 1 | SPACER     |
| 4  | 321875100 |                    | 1 | UNION      |
| 5  | 323213350 |                    | 1 | COMPRESSOR |
| 6  | 16043821  |                    | 1 | SCREW      |
| 7  | 355510815 | ● 003555108200 (1) | 1 | WASHER     |
| 8  | 322358    |                    | 1 | WASHER     |
| 9  | 16100811  |                    | 1 | NUT        |
| 10 | 11701711  |                    | 1 | NUT        |
| 11 | 140045    |                    | 1 | WASHER     |
| 12 | 340415521 |                    | 1 | BUSH       |
| 13 | 322638450 |                    | 1 | BEARING    |
| 14 | 322936450 |                    | 1 | BUSH       |
| 15 | 11067376  |                    | 1 | SPRING LOC |
| 16 | 11060676  |                    | 1 | SPRING LOC |
| 17 | 323211550 |                    | 1 | PULLEY     |
| 18 | 28996510  |                    | 1 | BEARING    |
| 19 | 355501340 |                    | 1 | WASHER     |
| 20 | 140046    |                    | 1 | WASHER     |
| 21 | 15216221  |                    | 1 | SCREW      |
| 22 | 11066276  |                    | 1 | SPRING LOC |
| 23 | 355531220 |                    | 1 | WASHER     |
| 24 | 322878750 |                    | 1 | BEARING    |
| 25 | 323211150 |                    | 1 | LEVER      |
| 26 | 355511020 |                    | 1 | WASHER     |
| 27 | 11106221  |                    | 1 | SCREW      |
| 28 | 11701711  |                    | 1 | NUT        |
| 29 | 323007050 | ● 003228358500 (1) | 1 | BALL JOINT |
| 30 | 323214650 |                    | 1 | BUSH       |
| 31 | 350356184 |                    | 1 | SPRING     |
| 32 | 11701711  |                    | 1 | NUT        |

286 LCS

Reservoir a air comprime  
Druckbehälter

COMPRESSORE ARIA


Compresso air receiv  
Compressore de aria

**739**

5/7 711739001

VARIATIONS

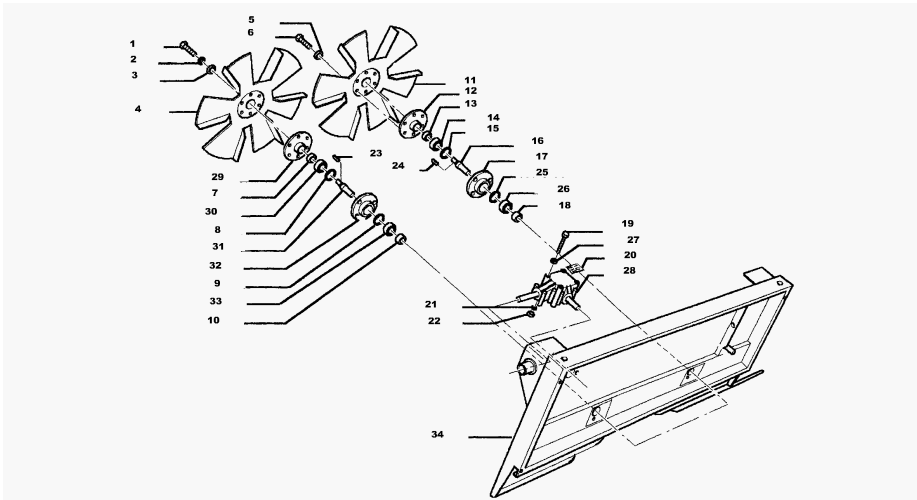
MTB "LCS" 296 lcs - ls (318200210\_318200999)

100  
-  
776.3/1  
 100776.3  
/1

CHAFF SPREADER - BODY

34 322740250

1 BODY



|                |  |                                |
|----------------|--|--------------------------------|
| <b>286 LCS</b> | <i>Epandeur de balle - Chassis</i><br><i>Spreuverteiler - Rhamen</i> | <b>776.3</b><br>1/1 7117765510 |
|                | <b>SPARGIPULA - CASSA</b>  |                                |
|                | <i>Chaff spreader - Body</i><br><i>Espaciador de tamo - Bastidor</i> |                                |

VARIATIONS

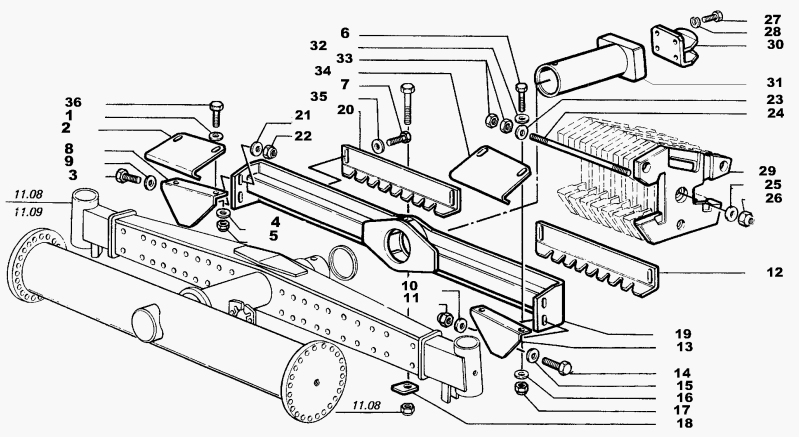
100  
- 878/1

BALLST WEIGHT ON REAR AXLE

MTB "LCS" 296 lcs - ls (318200210\_318200999)



- |    |           |   |         |
|----|-----------|---|---------|
| 32 | 355501330 | 1 | WASHER  |
| 33 | 10791411  | 1 | NUT     |
| 34 | 322299750 | 1 | STIRRUP |
| 35 | 355530840 | 1 | WASHER  |
| 36 | 11112821  | 1 | SCREW   |



286 LCS

ZAVORRA SU ASSALE POSTERIORE  
*Masses sur l'essieu arrière*  
*Bilastgewichte am hinterachse*

878  
 1/1 11300172002

CLICK HERE TO **DOWNLOAD** THE COMPLETE MANUAL

- Thank you very much for reading the preview of the manual.
- You can download the complete manual from: [www.heydownloads.com](http://www.heydownloads.com) by clicking the link below



- Please note: If there is no response to CLICKING the link, please download this PDF first and then click on it.

CLICK HERE TO **DOWNLOAD** THE COMPLETE MANUAL