

CLEANING

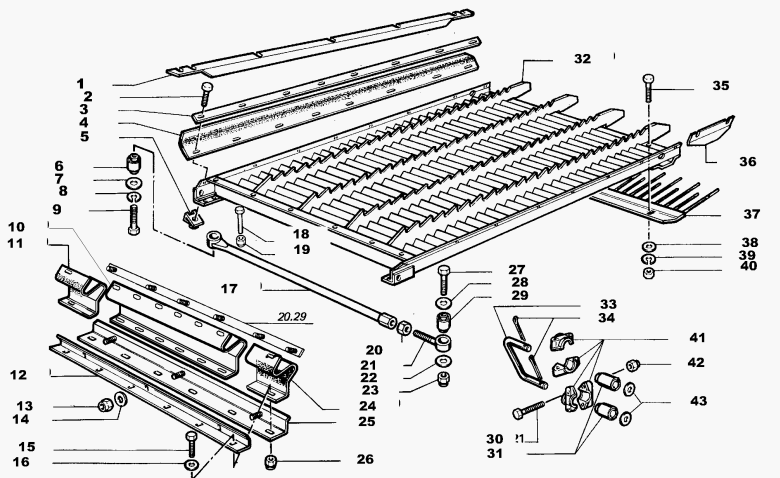
22 -
22.01/1

GRAIN PAN

MTB "LCS" 296 lcs (318200001_318200209)



2222.01/
1



- | | | | |
|----|-----------|--------------------|------------|
| 1 | 321844050 | 1 | PLATE |
| 2 | 10977821 | 1 | SCREW |
| 3 | 321828350 | 1 | STRAP |
| 4 | 321828250 | 1 | CONVEYOR |
| 5 | 322121950 | 1 | NUT |
| 6 | 340449005 | 1 | SILENTBLOC |
| 7 | 355501530 | 1 | WASHER |
| 8 | 12035571 | 1 | LOCK WASHE |
| 9 | 11116221 | 1 | SCREW |
| 10 | 323119850 | 1 | GASKET |
| 11 | 323120150 | 1 | GASKET |
| 12 | 322125250 | 1 | PROFILE |
| 13 | 12574111 | 1 | NUT |
| 14 | 355500615 | 1 | WASHER |
| 15 | 16043624 | 1 | SCREW |
| 16 | 355510820 | 1 | WASHER |
| 17 | 321839850 | 1 | ARM |
| 18 | 10902621 | 1 | SCREW |
| 19 | 12574211 | 1 | NUT |
| 20 | 11702921 | 1 | NUT |
| 21 | 321839950 | 1 | HEAD |
| 22 | 340415093 | 1 | SPACER |
| 23 | 12577311 | 1 | NUT |
| 24 | 323120150 | 1 | GASKET |
| 25 | 322125150 | 1 | PLATE |
| 26 | 16104111 | 1 | NUT |
| 27 | 11116421 | 1 | SCREW |
| 28 | 340415093 | 1 | SPACER |
| 29 | 340449005 | 1 | SILENTBLOC |
| 30 | 11107621 | 1 | SCREW |
| 31 | 322203650 | 1 | BUSH |
| 32 | 322135850 | ● 003233659505 (1) | GRAIN PAN |
| 33 | 321828450 | 1 | CONROD |

286 LCS

Table de reception
Foederboden

PIANO ALIMENTATORE

22.01

Grain pan
Zaranda

1/1 22010552002

CLICK HERE TO **DOWNLOAD** THE COMPLETE MANUAL

- Thank you very much for reading the preview of the manual.
- You can download the complete manual from: www.heydownloads.com by clicking the link below



- Please note: If there is no response to CLICKING the link, please download this PDF first and then click on it.

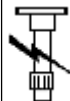
CLICK HERE TO **DOWNLOAD** THE COMPLETE MANUAL

CLEANING

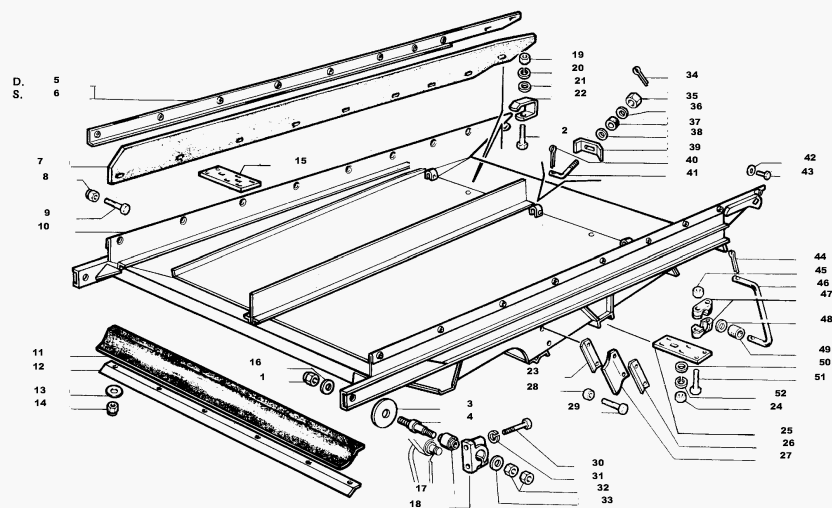
22 -
22.04/1

LOWER SHAKER SHOE page1

MTB "LCS" 296 lcs (318200001_318200209)



2222.04/
1



- | | | | | |
|----|-----------|--------------------|---|------------|
| 34 | 10734301 | | 1 | LINCH PIN |
| 35 | 16102211 | | 1 | NUT |
| 36 | 355510820 | | 1 | WASHER |
| 37 | 321831050 | | 1 | PAD |
| 38 | 355510820 | | 1 | WASHER |
| 39 | 321830950 | | 1 | STIRRUP |
| 40 | 10734301 | | 1 | LINCH PIN |
| 41 | 321830850 | | 1 | TIE ROD |
| 42 | 355500610 | ● 003555006150 (1) | 1 | WASHER |
| 43 | 10977524 | | 1 | SCREW |
| 44 | 10797501 | ● 000107350010 (1) | 1 | LINCH PIN |
| 45 | 12577211 | | 1 | NUT |
| 46 | 321830550 | | 1 | CONROD |
| 47 | 322194750 | | 1 | SUPPORT |
| 48 | 355501930 | | 1 | WASHER |
| 49 | 322203650 | | 1 | BUSH |
| 50 | 355510820 | | 1 | WASHER |
| 51 | 11107621 | | 1 | SCREW |
| 52 | 12034571 | | 1 | LOCK WASHE |

286 LCS

Hotte de nettoyage inférieure
Unterschwingkasten

CASSONE OSCILLANTE INFERIORE

Lower shaker shoe
Zaranda inferior

22.04

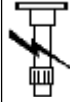
1/2 22040552002

CLEANING

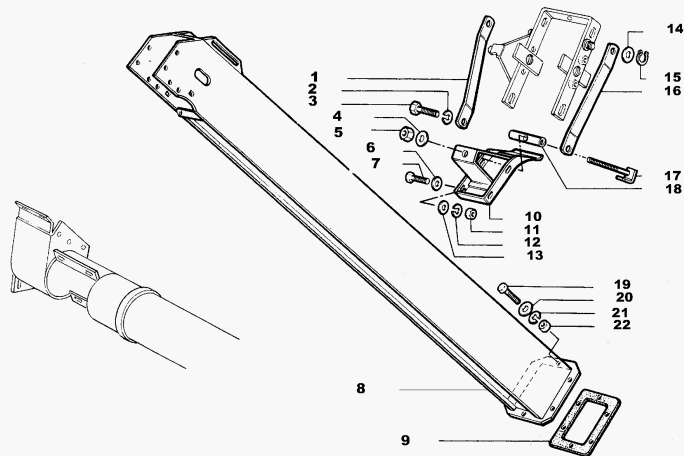
22 -
22.07/1

TAILINGS ELEVATOR (NORMAL) page1

MTB "LCS" 296 lcs (318200001_318200209)



2222.07/
1



- | | | | | |
|----|-----------|--------------------|---|------------|
| 1 | 321951950 | | 1 | BASE PLATE |
| 2 | 12034671 | | 1 | LOCK WASHE |
| 3 | 11106021 | | 1 | SCREW |
| 4 | 355511030 | | 1 | WASHER |
| 5 | 12577211 | | 1 | NUT |
| 6 | 355500715 | | 1 | WASHER |
| 7 | 10902124 | | 1 | SCREW |
| 8 | 323039750 | | 1 | TAILINGS E |
| 9 | 321861150 | | 1 | SHIM |
| 10 | 323045450 | | 1 | COVER |
| 11 | 15896221 | | 1 | NUT |
| 12 | 12035670 | ● 000120356710 (1) | 1 | LOCK WASHE |
| 13 | 355500715 | | 1 | WASHER |
| 14 | 355501920 | | 1 | WASHER |
| 15 | 11066676 | | 1 | SPRING LOC |
| 16 | 321951950 | | 1 | BASE PLATE |
| 17 | 321952050 | | 1 | TIE-ROD |
| 18 | 321951850 | | 1 | PIN |
| 19 | 16043424 | | 1 | SCREW |
| 20 | 355500915 | | 1 | WASHER |
| 21 | 12034571 | | 1 | LOCK WASHE |
| 22 | 16100811 | | 1 | NUT |

286 LCS

ELEVATORE RECUPERO (NORMALE) (CASSA)
Elévateur à otos
Ueberkerelevator

Tailings elevator
Caja elevador retorno

22.07

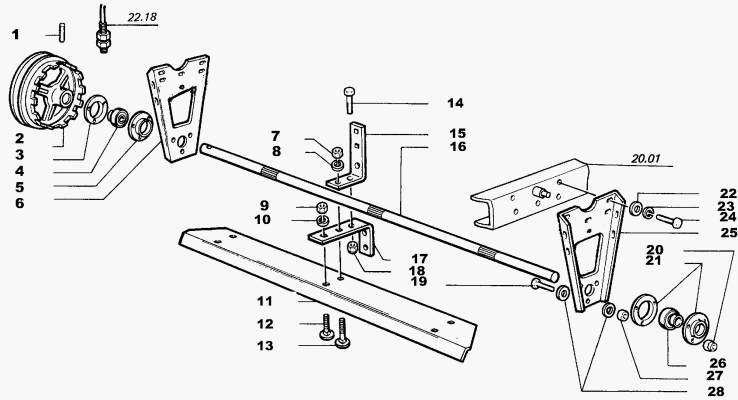
1/5 22070552006

CLEANING

22 -
22.10/3

FAN page3

MTB "LCS" 296 lcs (318200001_318200209)



- | | | | |
|----|-----------|---|------------|
| 1 | 13917170 | 1 | DOWEL |
| 2 | 321837950 | 1 | PULLEY |
| 3 | 340411406 | 1 | FLANGE COU |
| 4 | 340411206 | 1 | BEARING |
| 5 | 340411406 | 1 | FLANGE COU |
| 6 | 322768250 | 1 | SUPPORT |
| 7 | 16100811 | 1 | NUT |
| 8 | 12034571 | 1 | LOCK WASHE |
| 9 | 16100811 | 1 | NUT |
| 10 | 12034571 | 1 | LOCK WASHE |
| 11 | 321838450 | 1 | SHOVEL |
| 12 | 350342511 | 1 | SCREW |
| 13 | 350342513 | 1 | SCREW |
| 14 | 11112621 | 1 | SCREW |
| 15 | 321838250 | 1 | SPOKE |
| 16 | 321837750 | 1 | SHAFT |
| 17 | 321838250 | 1 | SPOKE |
| 18 | 12577511 | 1 | NUT |
| 19 | 16040821 | 1 | SCREW |
| 20 | 12577211 | 1 | NUT |
| 21 | 340411406 | 1 | FLANGE COU |
| 22 | 355511030 | 1 | WASHER |
| 23 | 12034671 | 1 | LOCK WASHE |
| 24 | 11106624 | 1 | SCREW |
| 25 | 322768250 | 1 | SUPPORT |
| 26 | 340411206 | 1 | BEARING |
| 27 | 10788221 | 1 | NUT |
| 28 | 355511020 | 1 | WASHER |

286 LCS

Ventilateur
Gebläse

VENTILATORE

Fan
Ventilador

22.10

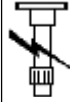
3/3 22100552002

CLEANING

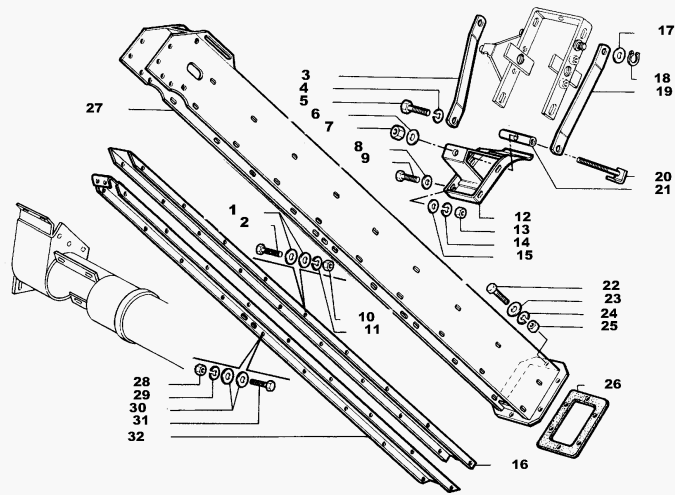
22 -
22.15/1

TAILINGS ELEVATOR (ANTHWEAR)

MTB "LCS" 296 lcs (318200001_318200209)



2222.15/
1



- | | | | | |
|----|-----------|--------------------|---|------------|
| 1 | 355500715 | | 1 | WASHER |
| 2 | 10902124 | | 1 | SCREW |
| 3 | 321951950 | | 1 | BASE PLATE |
| 4 | 12034671 | | 1 | LOCK WASHE |
| 5 | 11106021 | | 1 | SCREW |
| 6 | 355511030 | | 1 | WASHER |
| 7 | 12577211 | | 1 | NUT |
| 8 | 355500715 | | 1 | WASHER |
| 9 | 10902124 | | 1 | SCREW |
| 10 | 15896221 | | 1 | NUT |
| 11 | 12035670 | ● 000120356710 (1) | 1 | LOCK WASHE |
| 12 | 323045450 | | 1 | COVER |
| 13 | 15896221 | | 1 | NUT |
| 14 | 12035670 | ● 000120356710 (1) | 1 | LOCK WASHE |
| 15 | 355500715 | | 1 | WASHER |
| 16 | 321855450 | | 1 | PLATE |
| 17 | 355501920 | | 1 | WASHER |
| 18 | 11066676 | | 1 | SPRING LOC |
| 19 | 321951950 | | 1 | BASE PLATE |
| 20 | 321952050 | | 1 | TIE-ROD |
| 21 | 321951850 | | 1 | PIN |
| 22 | 16043424 | | 1 | SCREW |
| 23 | 355500915 | | 1 | WASHER |
| 24 | 12034571 | | 1 | LOCK WASHE |
| 25 | 16100811 | | 1 | NUT |
| 26 | 321861150 | | 1 | SHIM |
| 27 | 323039850 | | 1 | CASHIER |
| 28 | 15896221 | | 1 | NUT |
| 29 | 12035670 | ● 000120356710 (1) | 1 | LOCK WASHE |
| 30 | 355500715 | | 1 | WASHER |
| 31 | 10902124 | | 1 | SCREW |

286 LCS

ELEVATORE RECUPERO (ANTIUSURA) (CASSA)
Elevateur à otos (normale) *Tailing elevator (normal)*
Ueberkehrelevator (normal) *Caja elevador retorno (normal)*

22.15

1/5 22150552006

CLEANING

22 -
23.04/1

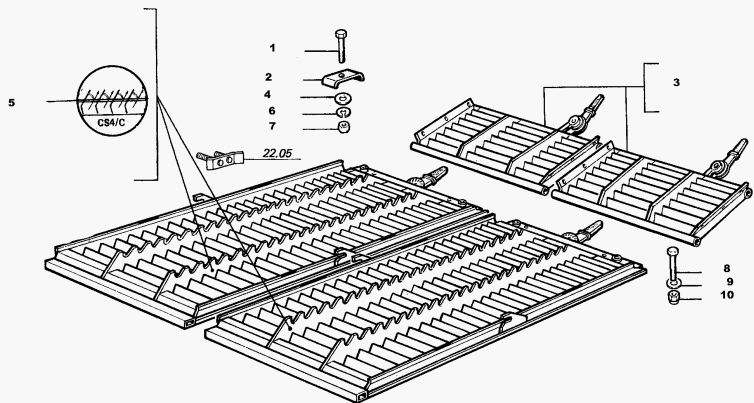
UPPER SIEVE, ADJUSTABLE

MTB "LCS" 296 lcs (318200001_318200209)



2223.04/
1

LA DOTAZIONE DEI VAGLI VARIA SECONDO L'ALLESTIMENTO DELLA MACCHINA
La dotation des cribles varie selon le standard de la machine
Die siebeausstattung wechselt gemäss der mähderscherausruistung
The set of sieves varies according to the machines standard
La dotacion de las cribas varian segun el alistamiento de la maquina



- | | | | | |
|----|-----------|--------------------|---|------------|
| 1 | 16040821 | | 1 | SCREW |
| 2 | 321839150 | | 1 | PARABOLA S |
| 3 | 322137100 | | 1 | SIEVE EXTE |
| 4 | 355501120 | | 1 | WASHER |
| 5 | 322279900 | | 1 | SIEVE |
| 6 | 12034671 | | 1 | LOCK WASHE |
| 7 | 11701721 | | 1 | NUT |
| 8 | 11107311 | ● 000111073210 (1) | 1 | SCREW |
| 9 | 355511030 | | 1 | WASHER |
| 10 | 12577211 | | 1 | NUT |

286 LCS

Crible supérieur réglable
Obersieb, verstellbar

VAGLIO SUPERIORE REGOLABILE

Upper sieve, adjustable
Criba superior regulable

23.04

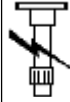
1/1 23040552002

DRIVES PLATFORM

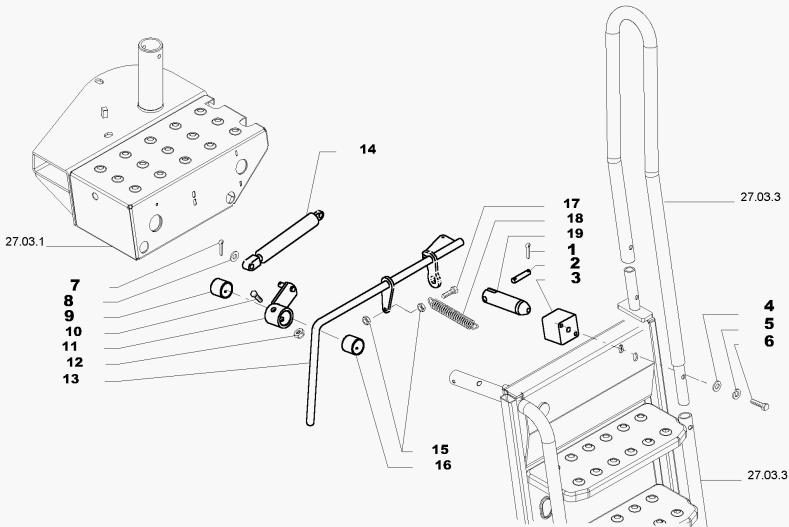
27 -
27.03/2

LADDER FOOTBOARD page 2

MTB "LCS" 296 lcs (318200001_318200209)



2727.03/
2



- | | | | |
|----|-----------|---|------------|
| 1 | 10734601 | 1 | LINCH PIN |
| 2 | 350379344 | 1 | DOWEL |
| 3 | 322317750 | 1 | BLOCK |
| 4 | 355510820 | 1 | WASHER |
| 5 | 12034571 | 1 | LOCK WASHE |
| 6 | 16043624 | 1 | SCREW |
| 7 | 10734601 | 1 | LINCH PIN |
| 8 | 355501115 | 1 | WASHER |
| 9 | 322002050 | 1 | BEARING |
| 10 | 11107421 | 1 | SCREW |
| 11 | 322317850 | 1 | LEVER |
| 12 | 12577211 | 1 | NUT |
| 13 | 323171250 | 1 | LEVER LEAD |
| 14 | 322952750 | 1 | SPRING |
| 15 | 15896211 | 1 | NUT |
| 16 | 322002050 | 1 | BEARING |
| 17 | 10902621 | 1 | SCREW |
| 18 | 350356530 | 1 | SPRING |
| 19 | 323187650 | 1 | PIN |

286 LCS

Support escalier
Leitertreibrett

PEDANA SCALA

Ladder footboard
Estribo escalera

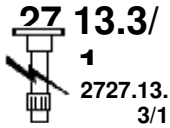
27.03

2/3 27030332000

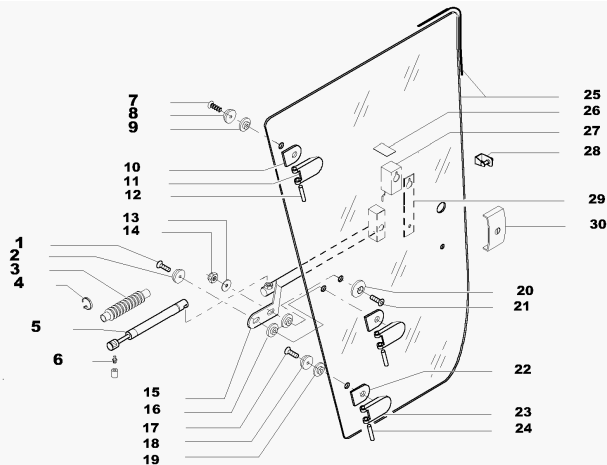
DRIVES PLATFORM

27 -

CAB - DOOR, LEFT



MTB "LCS" 296 lcs (318200001_318200209)



- | | | | | | |
|----|-----------|---|--------------------------------------|---|------------|
| 1 | 14442221 | ● | 000144422270 (1) | 1 | SCREW |
| 2 | 322808651 | | | 1 | BOSS |
| 3 | 322932450 | | | 1 | CAP |
| 4 | 340481806 | | | 1 | CLAMP |
| 5 | 322932650 | | | 1 | JACK ASSY |
| 6 | 322808758 | | | 1 | BALL JOINT |
| 7 | 14442221 | ● | 000144422270 (1) | 1 | SCREW |
| 8 | 322808651 | | | 1 | BOSS |
| 9 | 323043950 | | | 1 | GASKET |
| 10 | 323043850 | | | 1 | STRAP |
| 11 | 323043750 | | | 1 | HINGE |
| 12 | 323043650 | | | 1 | PIN |
| 13 | 355510820 | | | 1 | WASHER |
| 14 | 16104111 | | | 1 | NUT |
| 15 | 323043550 | | | 1 | HANDLE |
| 16 | 322808653 | | | 1 | GROMMET |
| 17 | 14442221 | ● | 000144422270 (1) | 1 | SCREW |
| 18 | 322808651 | | | 1 | BOSS |
| 19 | 323043950 | | | 1 | GASKET |
| 20 | 322808651 | | | 1 | BOSS |
| 21 | 14442221 | ● | 000144422270 (1) | 1 | SCREW |
| 22 | 323043850 | | | 1 | STRAP |
| 23 | 323043750 | | | 1 | HINGE |
| 24 | 323043650 | | | 1 | PIN |
| 25 | 322932200 | ● | 003229790500 (1)
003232624500 (1) | 1 | GLASS |
| 26 | 322808764 | | | 1 | PLUG |
| 27 | 322808855 | | | 1 | LOCK |
| 28 | 322820050 | | | 1 | STRAP |

286 LCS

Cabine - Porte gauche
Kabine - Tueren links

CABINA - PORTA SINISTRA

Cab - Door, left
Cabina - Puerta izquierda

27.13.3

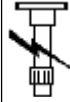
1/2 27130152006

DRIVES PLATFORM

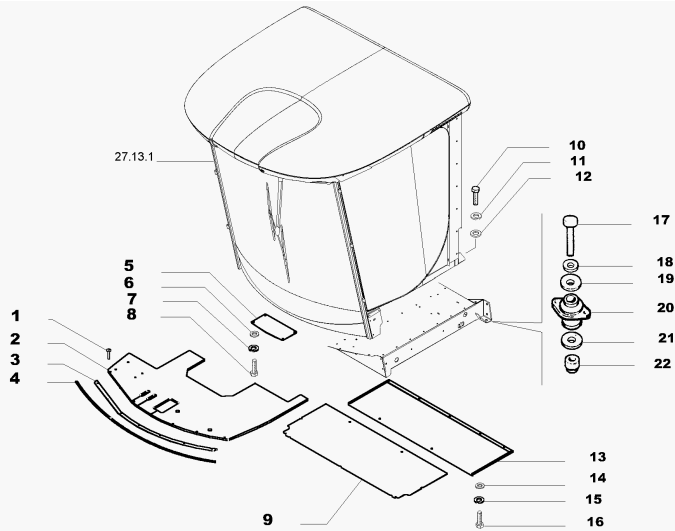
27 -
27.13/1

CAB - ROOF PANEL

MTB "LCS" 296 lcs (318200001_318200209)



2727.13/
1



- | | | | |
|----|-----------|---|------------|
| 1 | 322898250 | 1 | SCREW |
| 2 | 323206550 | 1 | MATTING |
| 3 | 323206150 | 1 | SKIRT |
| 4 | 323208150 | 1 | PROFILE |
| 5 | 323212450 | 1 | PANEL |
| 6 | 355500715 | 1 | WASHER |
| 7 | 12035671 | 1 | LOCK WASHE |
| 8 | 10902424 | 1 | SCREW |
| 9 | 323190350 | 1 | PANEL |
| 10 | 11112421 | 1 | SCREW |
| 11 | 12034771 | 1 | LOCK WASHE |
| 12 | 355501320 | 1 | WASHER |
| 13 | 323190250 | 1 | PANEL |
| 14 | 355500715 | 1 | WASHER |
| 15 | 12035671 | 1 | LOCK WASHE |
| 16 | 10902424 | 1 | SCREW |
| 17 | 15981524 | 1 | SCREW |
| 18 | 322133950 | 1 | WASHER |
| 19 | 322017550 | 1 | WASHER |
| 20 | 322017250 | 1 | SILENTBLOC |
| 21 | 322017650 | 1 | WASHER |
| 22 | 12574921 | 1 | NUT |

● 000159815310 (1)

286 LCS

Installation cabine
Kabine installation

INSTALLAZIONE CABINA

Cab installation
Instalacion cabina

27.13

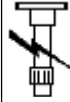
1/3 27130152006

DRUM

20 -
20.01/1

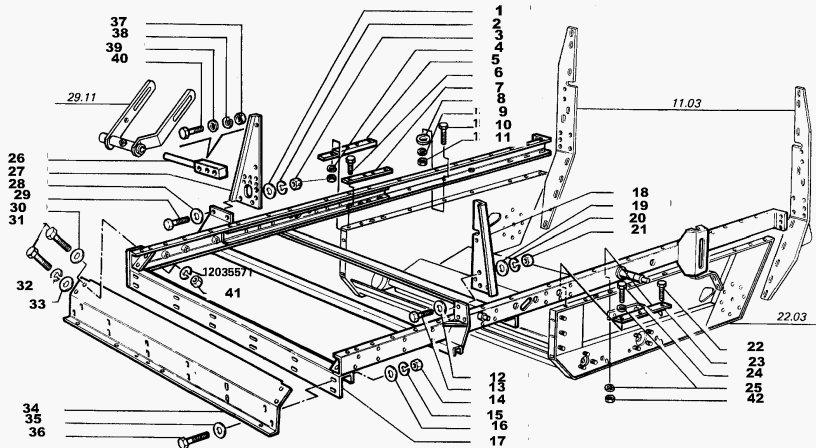
FRAME

MTB "LCS" 296 lcs (318200001_318200209)



2020.01/
1

- | | | | | | |
|----|-----------|---|------------------|---|------------|
| 31 | 11408324 | ● | 000114083240 (1) | 1 | SCREW |
| 32 | 12035571 | | | 1 | LOCK WASHE |
| 33 | 355501530 | | | 1 | WASHER |
| 34 | 321868250 | | | 1 | CROSSPIECE |
| 35 | 355530830 | | | 1 | WASHER |
| 36 | 15540521 | | | 1 | SCREW |
| 37 | 11701721 | | | 1 | NUT |
| 38 | 12034671 | | | 1 | LOCK WASHE |
| 39 | 355530220 | | | 1 | WASHER |
| 40 | 11107311 | ● | 000111073210 (1) | 1 | SCREW |
| 41 | 10790421 | | | 1 | NUT |
| 42 | 12164911 | | | 1 | NUT |



286 LCS

Chassis
Rahmen

TELAIO

Frame
Bastidor

20.01

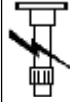
1/1 20010552002

DRUM

20 -
20.07/1

PEG DRUM

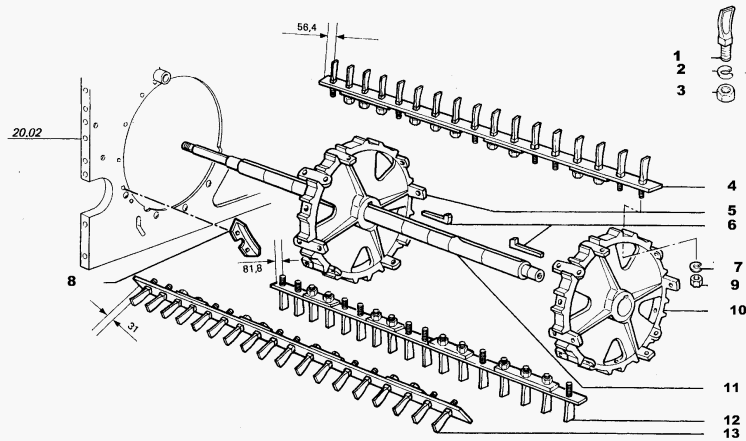
MTB "LCS" 296 lcs (318200001_318200209)



2020.07/
1

- 1 301172230
- 2 12034771
- 3 12164911
- 4 313282100
- 5 300135656
- 6 350380990
- 7 12034771
- 8 321871450
- 9 12164911
- 10 300135656
- 11 322300950
- 12 313282200
- 13 313282000

- 1 TINE
- 1 LOCK WASHE
- 1 NUT
- 1 BAR
- 1 SUPPORT
- 1 KEY
- 1 LOCK WASHE
- 1 SCRAPER
- 1 NUT
- 1 SUPPORT
- 1 MAST
- 1 BAR
- 1 BAR



286 LCS

Batteurs a dents
Stiftendreschtrammel

BATTITORE RISO

Peg drum
Cilindro de dientes

20.07

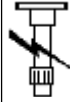
1/1 20070552132

DRUM

20 -
20.24/2

MAIZE CONCAVE AND SUN FLOWER page 2

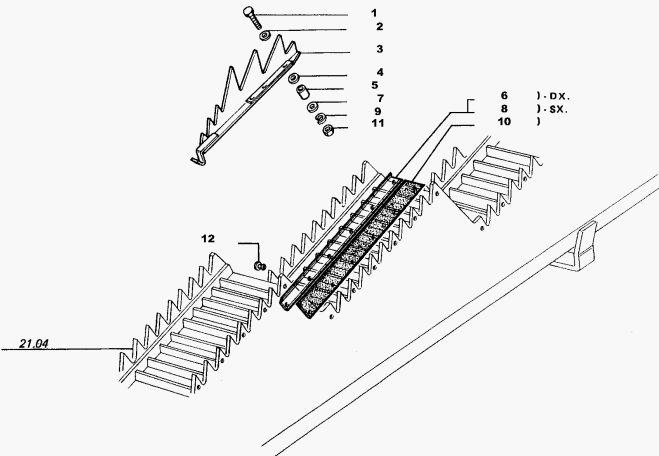
MTB "LCS" 296 lcs (318200001_318200209)



2020.24/
2

- | | | | |
|----|-----------|---|------------|
| 1 | 15212721 | 1 | SCREW |
| 2 | 355500715 | 1 | WASHER |
| 3 | 320691950 | 1 | STRAW ELEV |
| 4 | 355500715 | 1 | WASHER |
| 5 | 344158136 | 1 | BUSH |
| 6 | 322306450 | 1 | STRAP |
| 7 | 355500715 | 1 | WASHER |
| 8 | 322306350 | 1 | STRAP |
| 9 | 12035670 | 1 | LOCK WASHE |
| 10 | 322306250 | 1 | GASKET |
| 11 | 15896221 | 1 | NUT |
| 12 | 14643292 | 1 | RIVET |

● 000120356710 (1)



286 LCS

CONTROBATTITORE DA MAIS E GIRASOLE
Contre-batteur de maïs et tournesol
Maiskorb und sonnenblumen
maize concave and sun flower
Concavo para maïs y girasol

20.24

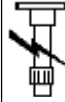
2/2 20240552022

DRUM

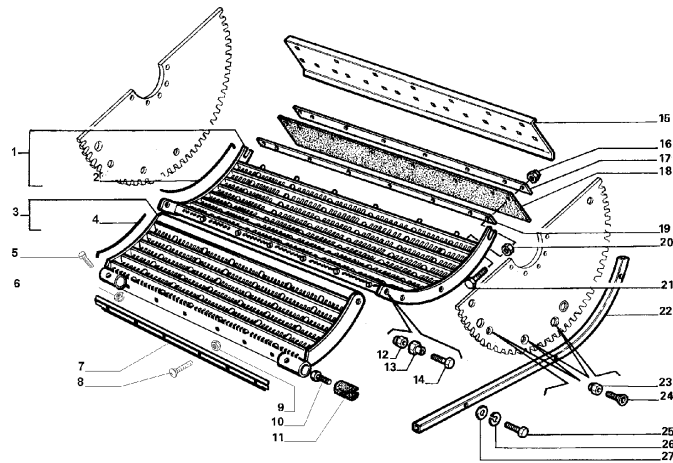
20 -
20.40/5

MULTI CROP SEPARATOR

MTB "LCS" 296 lcs (318200001_318200209)



2020.40/
5



- | | | | | |
|----|------------|--------------------|---|------------|
| 1 | 322690300 | ● 003232759005 (1) | 1 | GRILLE |
| 2 | 322688550 | | 1 | WIRE, RETA |
| 4 | 322097250 | | 1 | WIRE, RETA |
| 5 | 16044321 | | 1 | SCREW |
| 6 | 16104111 | | 1 | NUT |
| 7 | 0032309975 | | 1 | PROFILE |
| | 00 | | | |
| 8 | 13180701 | | 1 | SCREW |
| 9 | 16104111 | | 1 | NUT |
| 10 | 14420121 | | 1 | SCREW |
| 11 | 321812150 | | 1 | PAD |
| 12 | 12577211 | | 1 | NUT |
| 13 | 321809850 | | 1 | BUSH |
| 14 | 16040821 | | 1 | SCREW |
| 15 | 321823050 | | 1 | PLATE |
| 16 | 16104111 | | 1 | NUT |
| 17 | 322688450 | | 1 | STRAP |
| 18 | 322688050 | | 1 | CANVAS |
| 19 | 322687950 | | 1 | STRAP |
| 20 | 16102211 | | 1 | NUT |
| 21 | 16054621 | | 1 | SCREW |
| 22 | 321810450 | | 1 | GUIDE |
| 23 | 16105021 | ● 000161050110 (1) | 1 | NUT |
| 24 | 14443431 | | 1 | SCREW |
| 25 | 10902224 | | 1 | SCREW |
| 26 | 12035670 | ● 000120356710 (1) | 1 | LOCK WASHE |
| 27 | 355500720 | ● 003555007150 (1) | 1 | WASHER |

286 LCS
296 LCS

MULTI CROP SEPARATOR (SEPARATORE ROTANTE)
Multi crop separator
Multi crop separator

20.40

Multi crop separator
Multi crop separator

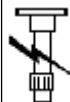
5/6 20400332020

ELETRIC SYSTEM

29 -
29.03/2

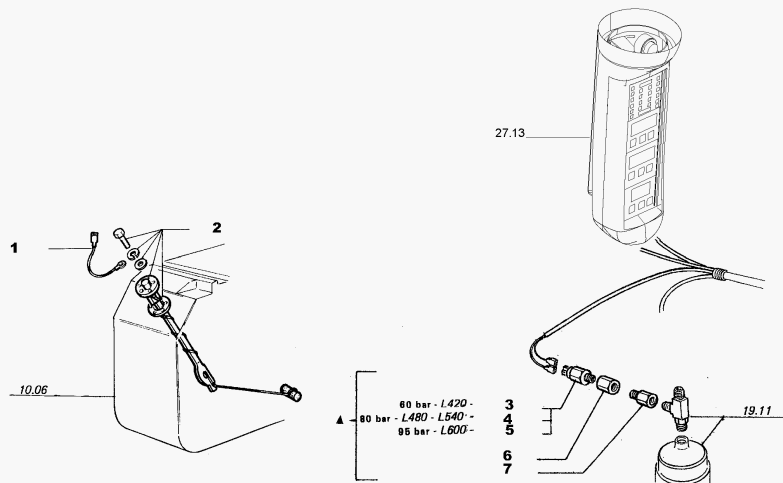
CONTROL CIRCUITS page2

MTB "LCS" 296 lcs (318200001_318200209)



2929.03/
2

- | | | | |
|---|-----------|---|------------|
| 1 | 322207900 | 1 | EARTH WIRE |
| 2 | 322161800 | 1 | THROTTLE |
| 3 | 322108750 | 1 | PRESSURE S |
| 4 | 321712050 | 1 | PRESSURE S |
| 5 | 322120950 | 1 | PRESSURE S |
| 6 | 321911550 | 1 | UNION |
| 7 | 321896550 | 1 | UNION |



286 LCS

Circuits de contrôle
Kontrollekreis

CIRCUITI DI CONTROLLO

Control circuits
Circuitos de control

29.03

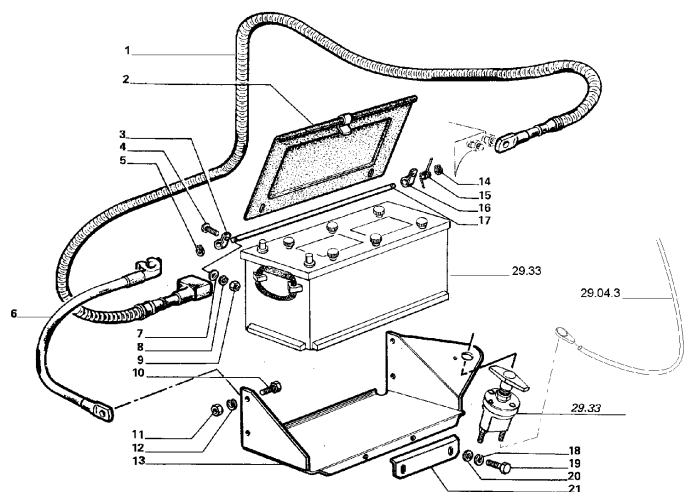
2/7 29030152006

ELETRIC SYSTEM

29 -
29.04/4

STARTING CIRCUITS page4

MTB "LCS" 296 lcs (318200001_318200209)



- | | | | |
|----|-----------|---|------------|
| 1 | 322981100 | 1 | WIRE/CABLE |
| 2 | 322336350 | 1 | COVER |
| 3 | 322337150 | 1 | CLAMP |
| 4 | 366000614 | 1 | SCREW |
| 5 | 11065676 | 1 | SPRING LOC |
| 6 | 313285900 | 1 | WIRE/CABLE |
| 7 | 355500715 | 1 | WASHER |
| 8 | 12035670 | 1 | LOCK WASHE |
| 9 | 15896211 | 1 | NUT |
| 10 | 11106424 | 1 | SCREW |
| 11 | 11701721 | 1 | NUT |
| 12 | 12034671 | 1 | LOCK WASHE |
| 13 | 322336150 | 1 | FRAME |
| 14 | 11065676 | 1 | SPRING LOC |
| 15 | 350356934 | 1 | SPRING |
| 16 | 322337150 | 1 | CLAMP |
| 17 | 322393550 | 1 | PIN |
| 18 | 12034571 | 1 | LOCK WASHE |
| 19 | 16043424 | 1 | SCREW |
| 20 | 355510820 | 1 | WASHER |
| 21 | 322336250 | 1 | STRAP |

286 LCS
296 LCS

CIRCUITI DI AVVIAMENTO MOTORE
Circuits électriques du lancement moteur
Starting circuits
Circuitos de arranque motor

29.04

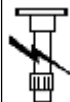
4/4 29040552006

ENGINE INSTALLATION

10 -
10.01/1

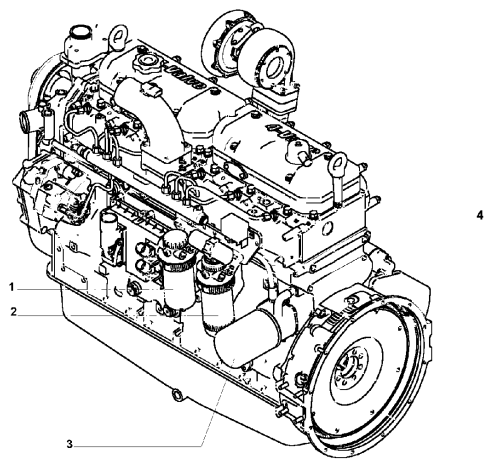
ENGINE INSTALLATION page 1

MTB "LCS" 296 lcs (318200001_318200209)



1010.01/
1

- | | | | |
|---|-----------|--------------------|------------|
| 1 | 323208250 | 1 | FILTER, EL |
| 2 | 323208350 | 1 | FILTER, EL |
| 3 | 323170650 | 1 | FILTER, EL |
| 4 | 323200500 | ● 003233294000 (1) | 1 ENGINE |



286 LCS
296 LCS

Moteur
Motor

MOTORE SISU 7.4

Engine
Motor

10.01

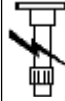
1/6 10010552007

ENGINE INSTALLATION

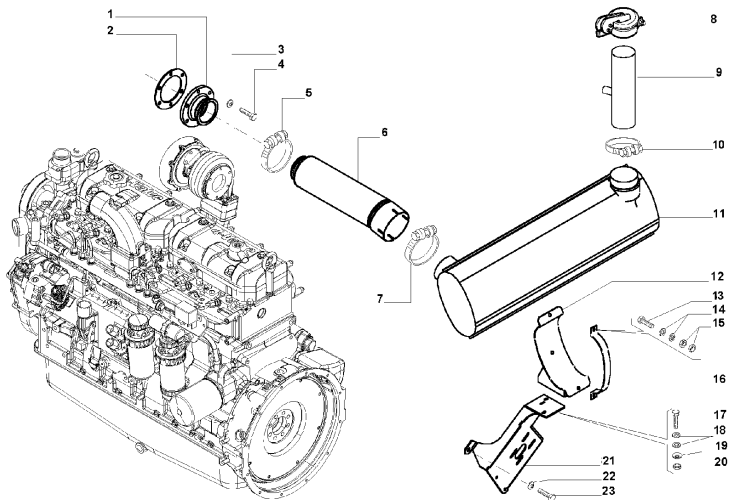
10 -
10.04/1

EXHAUST SILENCER

MTB "LCS" 296 lcs (318200001_318200209)



1010.04/
1



- | | | | |
|----|-----------|---|---------|
| 1 | 323111550 | 1 | FLANGE |
| 2 | 323128050 | 1 | GASKET |
| 3 | 322358 | 1 | WASHER |
| 4 | 16043621 | 1 | SCREW |
| 5 | 323051650 | 1 | BRIDLE |
| 6 | 323111850 | 1 | PIPE |
| 7 | 322559800 | 1 | BRIDLE |
| 8 | 321852200 | 1 | COVER |
| 9 | 323009750 | 1 | TUBE |
| 10 | 321816400 | 1 | BRIDLE |
| 11 | 322229550 | 1 | MUFFLER |
| 12 | 322871350 | 1 | BRIDLE |
| 13 | 16043924 | 1 | SCREW |
| 14 | 355500920 | 1 | WASHER |
| 15 | 16100811 | 1 | NUT |
| 16 | 321815750 | 1 | BRIDLE |
| 17 | 16043621 | 1 | SCREW |
| 18 | 355500920 | 1 | WASHER |
| 19 | 322358 | 1 | WASHER |
| 20 | 16100811 | 1 | NUT |
| 21 | 323263250 | 1 | SUPPORT |
| 22 | 140046 | 1 | WASHER |
| 23 | 11112421 | 1 | SCREW |

286 LCS
296 LCS

Filtere a air mator
Motor luftfilter

SCARICO MOTORE

Engine air cleaner
Filtere de aire motor

10.04

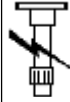
1/1 10040232001

ENGINE INSTALLATION

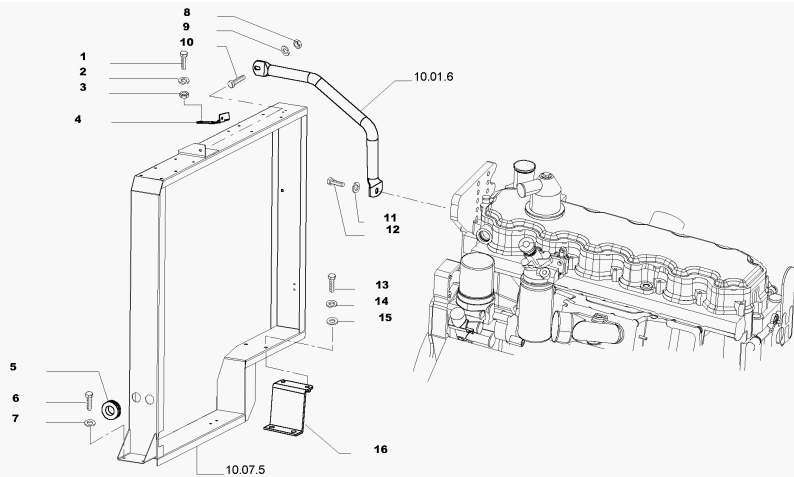
10 -
10.07/6

RADIATOR FILTER page6

MTB "LCS" 296 lcs (318200001_318200209)



1010.07/
6



- | | | | |
|----|-----------|---|------------|
| 1 | 16043421 | 1 | SCREW |
| 2 | 12034571 | 1 | LOCK WASHE |
| 3 | 16100811 | 1 | NUT |
| 4 | 322957650 | 1 | STIRRUP |
| 5 | 320432450 | 1 | GROMMET |
| 6 | 11106621 | 1 | SCREW |
| 7 | 12034671 | 1 | LOCK WASHE |
| 8 | 16100811 | 1 | NUT |
| 9 | 12034571 | 1 | LOCK WASHE |
| 10 | 16043221 | 1 | SCREW |
| 11 | 12034571 | 1 | LOCK WASHE |
| 12 | 16043624 | 1 | SCREW |
| 13 | 11106421 | 1 | SCREW |
| 14 | 12034671 | 1 | LOCK WASHE |
| 15 | 355501120 | 1 | WASHER |
| 16 | 322910850 | 1 | STIRRUP |

286 LCS

*Filtre radiateur
Kuehlerfilter*

FILTRO ROTANTE - RADIATORE

*Radiator filter
Filtro radiador*

10.07

6/10 10070552005

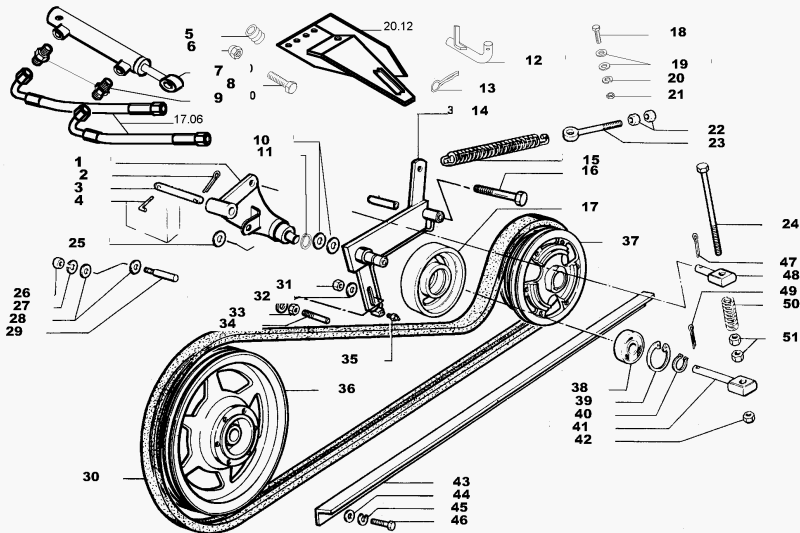
FRONT ELEVATOR

19 -
19.01/1

ELEVATOR TRANSMISSION

MTB "LCS" 296 lcs (318200001_318200209)

1919.01/
1



- | | | | |
|----|-----------|---|------------|
| 1 | 322784250 | 1 | LEVER LEAD |
| 2 | 10797001 | 1 | LINCH PIN |
| 3 | 350379273 | 1 | DOWEL |
| 4 | 300136233 | 1 | DOWEL |
| 5 | 10398480 | 1 | RING |
| 6 | 12577511 | 1 | NUT |
| 7 | 322770900 | 1 | JACK |
| 8 | 11114221 | 1 | SCREW |
| 9 | 322788600 | 1 | UNION |
| 10 | 355501520 | 1 | WASHER |
| 11 | 11066476 | 1 | SPRING LOC |
| 12 | 322784050 | 1 | TIE ROD |
| 13 | 10733601 | 1 | LINCH PIN |
| 14 | 322229050 | 1 | ARM |
| 15 | 350356539 | 1 | SPRING |
| 16 | 15541721 | 1 | SCREW |
| 17 | 320653650 | 1 | GEAR |
| 18 | 16043821 | 1 | SCREW |
| 19 | 355520830 | 1 | WASHER |
| 20 | 12034571 | 1 | LOCK WASHE |
| 21 | 16100811 | 1 | NUT |
| 22 | 10788714 | 1 | NUT |
| 23 | 300117689 | 1 | TIE ROD |
| 24 | 300136132 | 1 | TIE ROD |
| 25 | 355532620 | 1 | WASHER |
| 26 | 11701721 | 1 | NUT |
| 27 | 12034671 | 1 | LOCK WASHE |
| 28 | 355501120 | 1 | WASHER |
| 29 | 300138006 | 1 | PIN |
| 30 | 344312128 | 1 | BELT |
| 31 | 10717311 | 1 | NUT |
| 32 | 355501330 | 1 | WASHER |
| 33 | 10717311 | 1 | NUT |
| 34 | 321092750 | 1 | PIN |

286 LCS

Transmission élévateur
Elevatortrieb

TRASMISSIONE ELEVATORE

Elevator transmission
Trasmision elevador

19.01

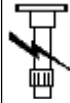
1/1 19010131003

FRONT ELEVATOR

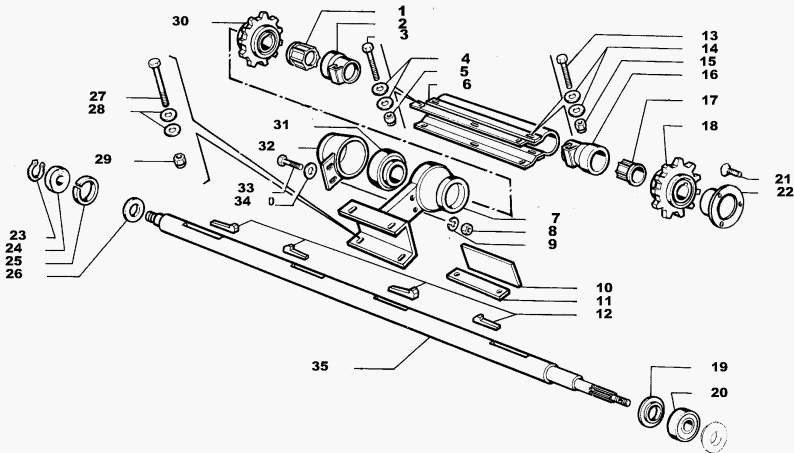
19 -
19.04/3

FRONT ELEVATOR page 3

MTB "LCS" 296 lcs (318200001_318200209)



1919.04/
3



- | | | | | |
|----|-----------|--------------------|---|------------|
| 1 | 322225250 | | 1 | RING |
| 2 | 320973750 | | 1 | SHIELD |
| 3 | 16045024 | ● 000160450240 (1) | 1 | SCREW |
| 4 | 355510820 | | 1 | WASHER |
| 5 | 16104111 | | 1 | NUT |
| 6 | 321692850 | | 1 | PROTECTION |
| 7 | 322225150 | | 1 | SUPPORT |
| 8 | 16100811 | | 1 | NUT |
| 9 | 12034571 | | 1 | LOCK WASHE |
| 10 | 300134590 | | 1 | SHIM |
| 11 | 322153750 | | 1 | SHIM |
| 12 | 350380763 | | 1 | KEY |
| 13 | 16044631 | | 1 | SCREW |
| 14 | 355510820 | | 1 | WASHER |
| 15 | 16104111 | | 1 | NUT |
| 16 | 320973750 | | 1 | SHIELD |
| 17 | 322225250 | | 1 | RING |
| 18 | 322225350 | ● 003233170500 (1) | 1 | PINION |
| 19 | 322223050 | | 1 | WASHER |
| 20 | 340411277 | | 1 | BEARING |
| 21 | 14441331 | | 1 | SCREW |
| 22 | 320973650 | | 1 | SHIELD |
| 23 | 11068376 | | 1 | SPRING LOC |
| 24 | 340411238 | | 1 | BEARING |
| 25 | 300116217 | | 1 | BUSH |
| 26 | 320402050 | ● 003204020503 (1) | 1 | WASHER |
| 27 | 11108221 | | 1 | SCREW |
| 28 | 355501130 | | 1 | WASHER |
| 29 | 12577211 | | 1 | NUT |
| 30 | 322225350 | ● 003233170500 (1) | 1 | PINION |

286 LCS

ELEVATORE ANTERIORE (ALBERO SUPERIORE)
Elevateur avant
Vorderelevator

Front elevator
Elevador anterior

19.04

3/14 19040572000

FRONT ELEVATOR

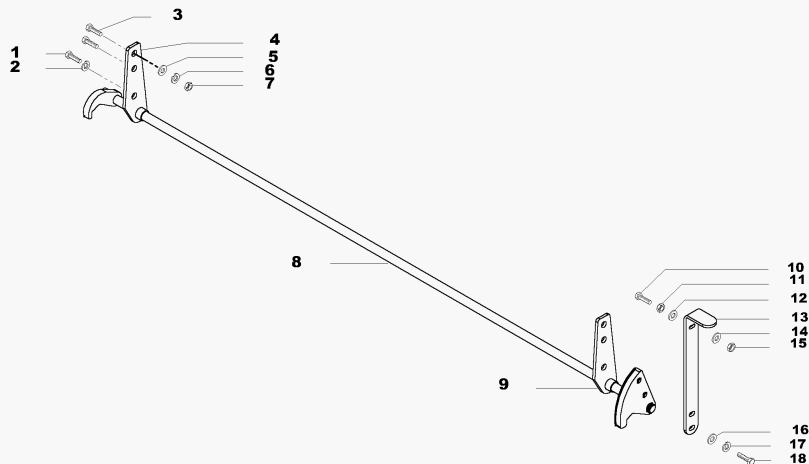
19 -
19.04/9

FRONT ELEVATOR page 9

MTB "LCS" 296 lcs (318200001_318200209)



1919.04/
9



- | | | | |
|----|-----------|--------------------|------------|
| 1 | 11408621 | 1 | SCREW |
| 2 | 12035071 | 1 | LOCK WASHE |
| 3 | 11408621 | 1 | SCREW |
| 4 | 322774050 | 1 | SUPPORT |
| 5 | 355502140 | 1 | WASHER |
| 6 | 12035071 | 1 | LOCK WASHE |
| 7 | 12164311 | ● 000121643210 (1) | NUT |
| 8 | 322773850 | 1 | LEVER |
| 9 | 322774050 | 1 | SUPPORT |
| 10 | 11113821 | 1 | SCREW |
| 11 | 11702911 | 1 | NUT |
| 12 | 355501320 | 1 | WASHER |
| 13 | 322776050 | 1 | LEVER LEAD |
| 14 | 355501320 | 1 | WASHER |
| 15 | 11702911 | 1 | NUT |
| 16 | 355501740 | 1 | WASHER |
| 17 | 12034871 | 1 | LOCK WASHE |
| 18 | 11127521 | 1 | SCREW |

286 LCS

ELEVATORE ANTERIORE STANDARD (AGGANCIIO TESTATA)
Elevateur avant
Vorderelevator

19.04

Front elevator
Elevador anterior
9/14 19040572000

FRONT ELEVATOR

19 -
19.14/2

REVERSER page2

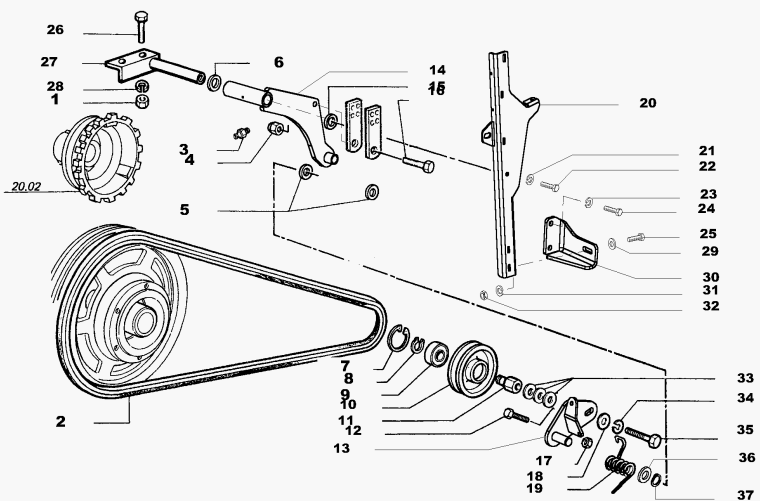
MTB "LCS" 296 lcs (318200001_318200209)



1919.14/
2

- 34 12034771
- 35 11112621
- 36 355533810
- 37 11066876

- 1 LOCK WASHE
- 1 SCREW
- 1 WASHER
- 1 SPRING LOC



286 LCS

Inverseur
Ruecklaufvorrichtung

INVERSOIRE

Reverser
Inversor

19.14

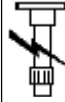
2/2 19140131003

GRAIN TANK

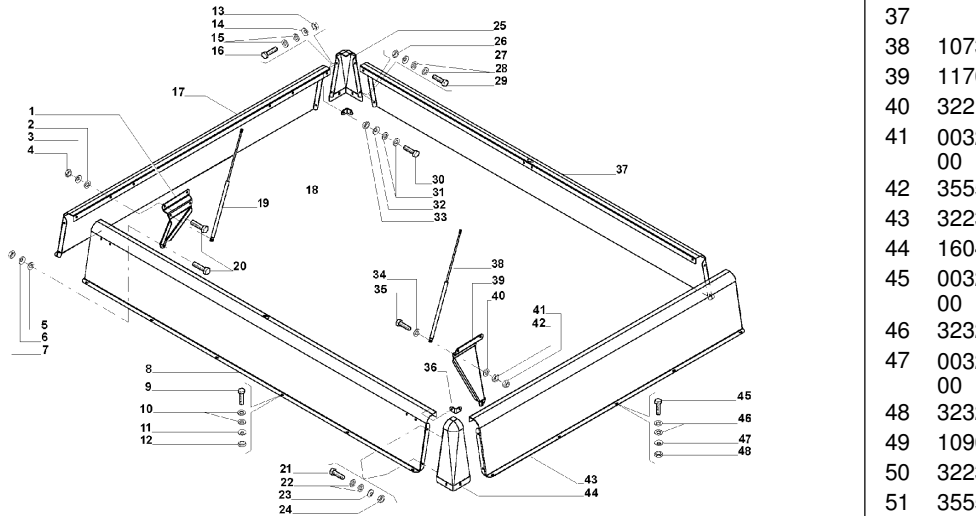
25 -
25.04/2

RETRACTABLE GRAIN TANK EXTENSION page2

MTB "LCS" 296 lcs (318200001_318200209)



2525.04/
2



296 LCS LS

ESTENSIONE SERBATOIO RETRATTILE

Extension de la trémie escamotable
Einziehbar korntank erhoeung

Retractabile grain tank extension
Alzas deposito retractor

25.04

2/2 25040172006

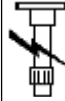
32	322833000		1	SWITCH
33	323247650	● 003232476500 (1)	1	STIRRUP
34	322100750		1	BEARING
35	003232477500		1	STIRRUP
36	355501330		1	WASHER
37				WASHER
38	10733601		1	LINCH PIN
39	11701721		1	NUT
40	322100750		1	BEARING
41	003232466500		1	STIRRUP
42	355510815	● 003555108200 (1)	1	WASHER
43	322358		1	WASHER
44	16043421		1	SCREW
45	003232483500		1	CANVAS
46	323248850	● 003232488500 (1)	1	BASE PLATE
47	003232484500		1	CANVAS
48	323248950	● 003232489500 (1)	1	BASE PLATE
49	10902421		1	SCREW
50	322357		1	WASHER
51	355510615		1	WASHER
52	16100811		1	NUT
53	355510815	● 003555108200 (1)	1	WASHER
54	16043421		1	SCREW
55	323248850	● 003232488500 (1)	1	BASE PLATE
56	003232483500		1	CANVAS
57	16100811		1	NUT
58	322358		1	WASHER
59	355510815	● 003555108200 (1)	1	WASHER

GRAIN TANK

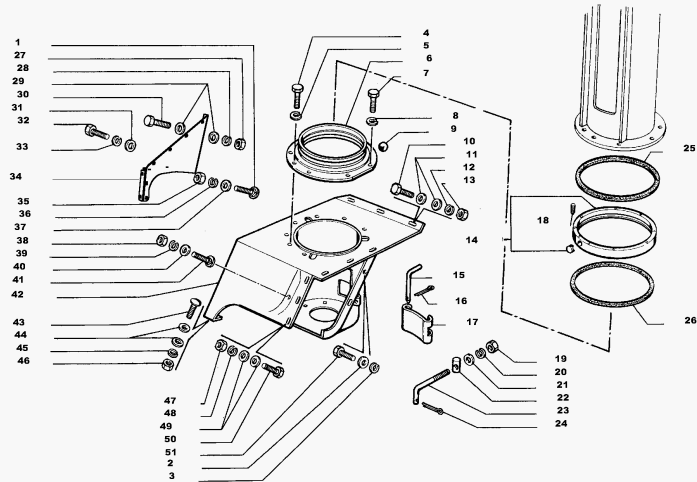
25 -
25.07/1

GRAIN TANK UNLOADING VERTICAL TUBE page1

MTB "LCS" 296 lcs (318200001_318200209)



2525.07/
1



- | | | | | |
|----|-----------|--------------------|---|------------|
| 1 | 350342511 | | 1 | SCREW |
| 2 | 355500715 | | 1 | WASHER |
| 3 | 12035670 | ● 000120356710 (1) | 1 | LOCK WASHE |
| 4 | 16043421 | | 1 | SCREW |
| 5 | 12034571 | | 1 | LOCK WASHE |
| 6 | 322363750 | | 1 | RING |
| 7 | 16043621 | | 1 | SCREW |
| 8 | 12034571 | | 1 | LOCK WASHE |
| 9 | 20063520 | | 1 | BALL |
| 10 | 16043621 | | 1 | SCREW |
| 11 | 355510820 | | 1 | WASHER |
| 12 | 12034571 | | 1 | LOCK WASHE |
| 13 | 16100811 | | 1 | NUT |
| 14 | 322364800 | | 1 | RING |
| 15 | 300018233 | | 1 | LATCH |
| 16 | 10733601 | | 1 | LINCH PIN |
| 17 | 321953750 | | 1 | LID |
| 18 | 13798870 | | 1 | SCREW |
| 19 | 16100811 | | 1 | NUT |
| 20 | 12034571 | | 1 | LOCK WASHE |
| 21 | 355500930 | | 1 | WASHER |
| 22 | 322001750 | | 1 | PIN |
| 23 | 321953650 | | 1 | TIE ROD |
| 24 | 10733601 | | 1 | LINCH PIN |
| 25 | 320405350 | | 1 | GASKET |
| 26 | 320405250 | | 1 | GASKET |
| 27 | 16100811 | | 1 | NUT |
| 28 | 12034571 | | 1 | LOCK WASHE |
| 29 | 355500915 | | 1 | WASHER |
| 30 | 16043421 | | 1 | SCREW |
| 31 | 355500915 | | 1 | WASHER |
| 32 | 16043221 | | 1 | SCREW |
| 33 | 12034571 | | 1 | LOCK WASHE |

286 LCS

TUBO VERTICALE SCARICO SERBATOIO
 Tube vertical de vidange de la trémie
 Kartankauslauf/vertikalrohr
 Grain tank unloading vertical tube
 Tubo vertical descarga de la tolva

25.07

1/5 2507012006

CLICK HERE TO **DOWNLOAD** THE COMPLETE MANUAL

- Thank you very much for reading the preview of the manual.
- You can download the complete manual from: www.heydownloads.com by clicking the link below



- Please note: If there is no response to CLICKING the link, please download this PDF first and then click on it.

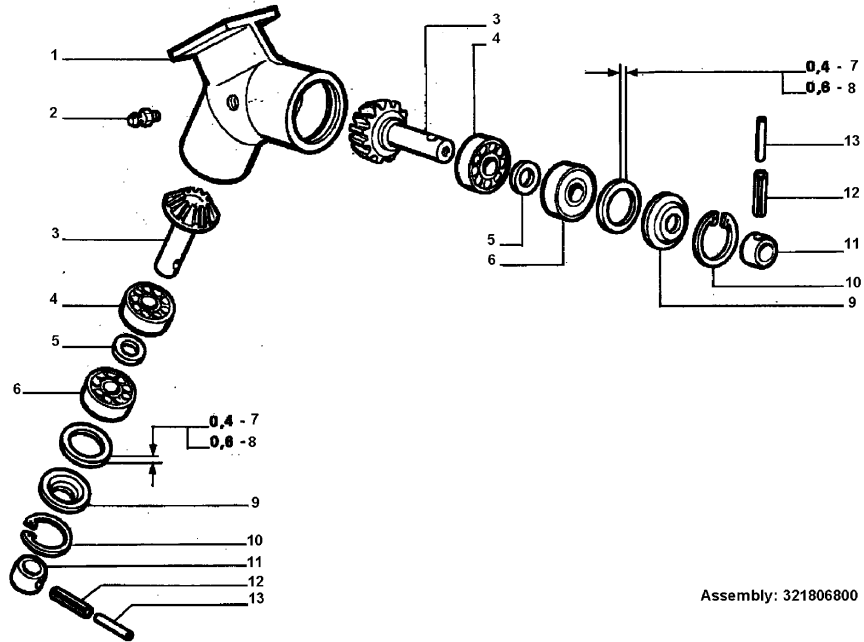
CLICK HERE TO **DOWNLOAD** THE COMPLETE MANUAL

GRAIN TANK

25 -
25.07_B

UPPER CASE ELEMENTS

MTB "LCS" 296 lcs (318200001_318200209)



Assembly: 321806800

- 1 320946950
- 2 350357803
- 3 320949250
- 4 20705250
- 5 355541410
- 6 24905470
- 7 355547104
- 8 355547106
- 9 320948750
- 10 11061576
- 11 320948450
- 12 14617170
- 13 350378685

- 1 BOX
- 1 NIPPLE, LU
- 1 PINION
- 1 BEARING
- 1 WASHER
- 1 BEARING
- 1 WASHER
- 1 WASHER
- 1 PROTECTION
- 1 SPRING LOC
- 1 BALL JOINT
- 1 PLUG
- 1 PLUG

GRAIN TANK

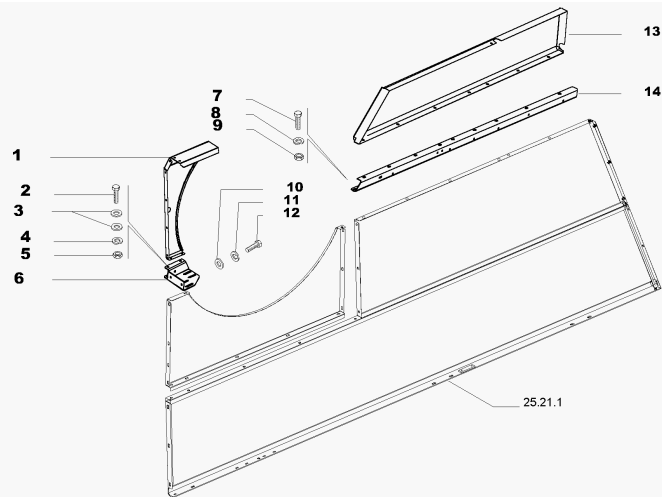
25 -
25.21/2

BODY, R.H. FOR ENGINE page2

MTB "LCS" 296 lcs (318200001_318200209)



2525.21/
2



- | | | | |
|----|-----------|---|------------|
| 1 | 322942350 | 1 | COVER |
| 2 | 16043421 | 1 | SCREW |
| 3 | 355510820 | 1 | WASHER |
| 4 | 12034571 | 1 | LOCK WASHE |
| 5 | 16100811 | 1 | NUT |
| 6 | 322990650 | 1 | PROFILE |
| 7 | 16043421 | 1 | SCREW |
| 8 | 12034571 | 1 | LOCK WASHE |
| 9 | 16100811 | 1 | NUT |
| 10 | 355510820 | 1 | WASHER |
| 11 | 12034571 | 1 | LOCK WASHE |
| 12 | 16043421 | 1 | SCREW |
| 13 | 322944550 | 1 | BANDAGE |
| 14 | 322943950 | 1 | PROFILE |

286 LCS

Carenage droite du moteur
Motorhaube rechts

CARENATURA DESTRA MOTORE

Body, R.H. for engine
carenado derecho del motor

25.21

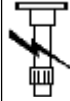
2/4 25210552006

GUARD AND FAIRINGS

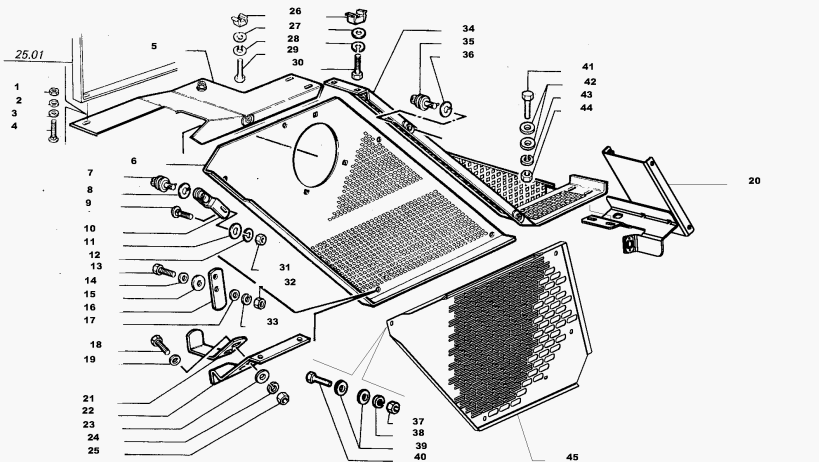
26 -
26.03/1

R.H. front side wall guard

MTB "LCS" 296 lcs (318200001_318200209)



2626.03/
1



- | | | | |
|----|-----------|---|------------|
| 34 | 322219250 | 1 | SHIELD |
| 35 | 321551650 | 1 | STEM |
| 36 | 320899350 | 1 | WASHER |
| 37 | 16100811 | 1 | NUT |
| 38 | 12034571 | 1 | LOCK WASHE |
| 39 | 355510820 | 1 | WASHER |
| 40 | 16043424 | 1 | SCREW |
| 41 | 16043424 | 1 | SCREW |
| 42 | 355510820 | 1 | WASHER |
| 43 | 12034571 | 1 | LOCK WASHE |
| 44 | 16100811 | 1 | NUT |
| 45 | 323184050 | 1 | SHIELD |

● 003231840503 (1)

286 LCS

PROTEZIONE ANTERIORE LATO DESTRO
Protection avant flanc droite
Vornschutzblich seitenwand rechts
R.H. front side wall guard
Proteccion anterior costado derecho

26.03

1/1 26030552003

HYDRAULIC SYSTEM

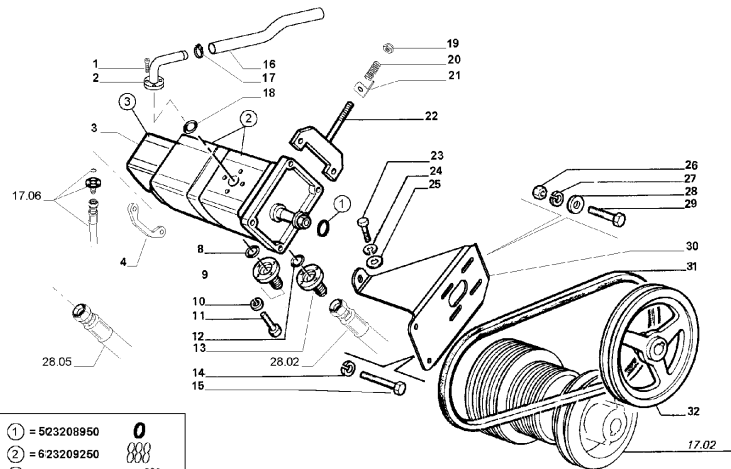
MTB "LCS" 296 lcs (318200001_318200209)

28 -
28.01/1



2828.01/
1

HYDRAULIC PUMP



- ① = 523208950
- ② = 623209250
- ③ = 71#215050 2 cc

286 LCS
296 LCS

Pompe hydraulique
Hydraulikpumpe

POMPA IDRAULICA SERVIZI

Hydraulic pump
Bomba hidráulica

28.01

111 28010552007

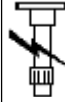
- | | | | | |
|----|-----------|--------------------|---|------------|
| 1 | 14306321 | | 1 | SCREW |
| 2 | 322881750 | | 1 | MANIFOLD |
| 3 | 323160600 | ● 003001352040 (8) | 1 | PUMP |
| | | 003503915260 (8) | | |
| | | 003503915140 (1) | | |
| | | 003503587420 (1) | | |
| | | 000120354710 (1) | | |
| | | 003221223000 (1) | | |
| | | 003231507500 (1) | | |
| | | 003233173000 (2) | | |
| | | 000143042210 (1) | | |
| | | 003233169500 (3) | | |
| | | 003233798500 (2) | | |
| 4 | 323008350 | | 1 | PLATE |
| 5 | 323208950 | ● N.A. (1) | 1 | GASKET |
| 6 | 323209250 | | 1 | KIT GASKET |
| 7 | 323215050 | | 1 | KIT GASKET |
| 8 | 14457180 | | 1 | O-RING |
| 9 | 321409350 | | 1 | FLANGE |
| 10 | 12035670 | ● 000120356710 (1) | 1 | LOCK WASHE |
| 11 | 14305324 | | 1 | SCREW |
| 12 | 14457180 | | 1 | O-RING |
| 13 | 321409550 | | 1 | FLANGE |
| 14 | 12034671 | | 1 | LOCK WASHE |
| 15 | 11106821 | | 1 | SCREW |
| 16 | 322005350 | | 1 | BREATHER P |
| 17 | 350391526 | | 1 | CLAMP |
| 18 | 14457780 | ● 000051357400 (1) | 1 | O-RING |
| 19 | 12577211 | | 1 | NUT |
| 20 | 350356943 | | 1 | SPRING |

HYDRAULIC SYSTEM

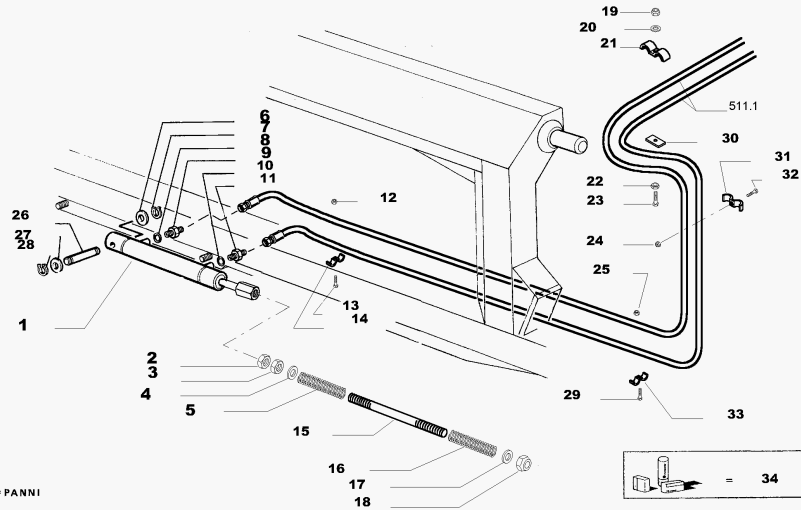
28 -
28.09/2

HYDRAULIC DEVICE FOR HEADER ORIENTATION

MTB "LCS" 296 lcs (318200001_318200209)



2828.09/
2



= PANNI

286 LCS

IMPIANTO LIVELLAMENTO BARRA

Installation de mise à niveau barre de coupe
Ausgleichsanlage masserbalken

Cutter bar levelling system
Equipo de nivelación barra de corte

28.09

2/2 28090552005

- | | | | |
|----|-----------|---|------------|
| 1 | 322773900 | 1 | JACK |
| 2 | 10726711 | 1 | NUT |
| 3 | 12575111 | 1 | NUT |
| 4 | 355502140 | 1 | WASHER |
| 5 | 350356938 | 1 | SPRING |
| 6 | 355532620 | 1 | WASHER |
| 7 | 11066476 | 1 | SPRING LOC |
| 8 | 14456881 | 1 | O-RING |
| 9 | 321390950 | 1 | UNION |
| 10 | 14456881 | 1 | O-RING |
| 11 | 321390950 | 1 | UNION |
| 12 | 12574211 | 1 | NUT |
| 13 | 10902421 | 1 | SCREW |
| 14 | 300136688 | 1 | BRIDLE |
| 15 | 322774350 | 1 | TIE-ROD |
| 16 | 350356938 | 1 | SPRING |
| 17 | 355502140 | 1 | WASHER |
| 18 | 12575111 | 1 | NUT |
| 19 | 12574211 | 1 | NUT |
| 20 | 355500720 | 1 | WASHER |
| 21 | 300136688 | 1 | BRIDLE |
| 22 | 15896211 | 1 | NUT |
| 23 | 10902821 | 1 | SCREW |
| 24 | 12574211 | 1 | NUT |
| 25 | 12574211 | 1 | NUT |
| 26 | 322213150 | 1 | DOWEL |
| 27 | 355532620 | 1 | WASHER |
| 28 | 11066476 | 1 | SPRING LOC |
| 29 | 10902421 | 1 | SCREW |
| 30 | 301378460 | 1 | BRIDLE |
| 31 | 300136688 | 1 | BRIDLE |
| 32 | 10902421 | 1 | SCREW |
| 33 | 300136688 | 1 | BRIDLE |

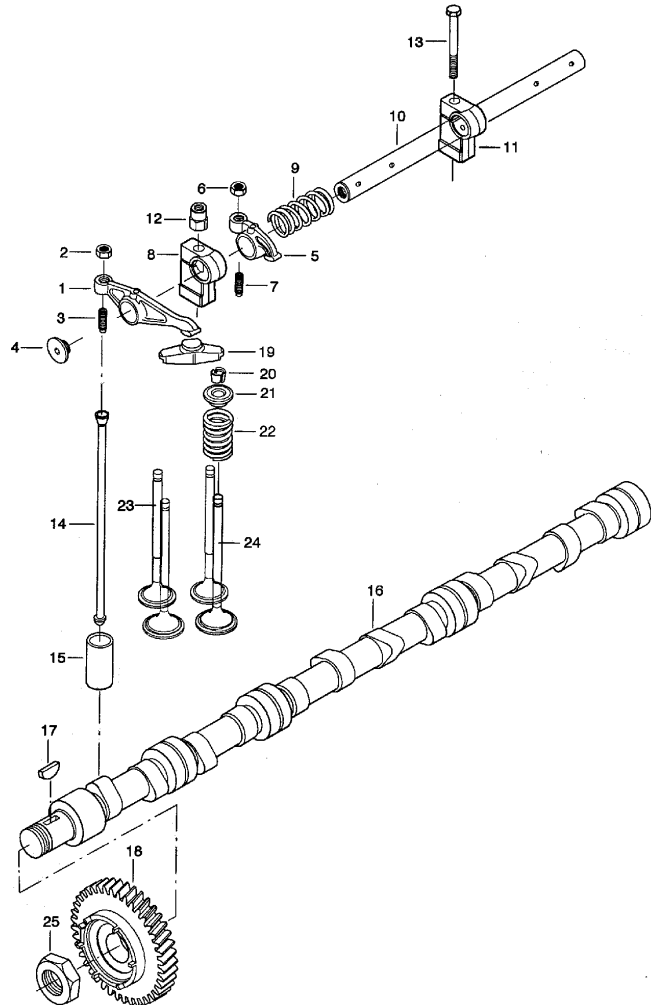
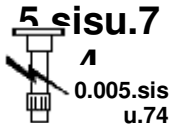
● 003555007150 (1)

SISU Diesel 74

0.00

MECHANISM

MTB "LCS" 296 lcs (318200001_318200209)



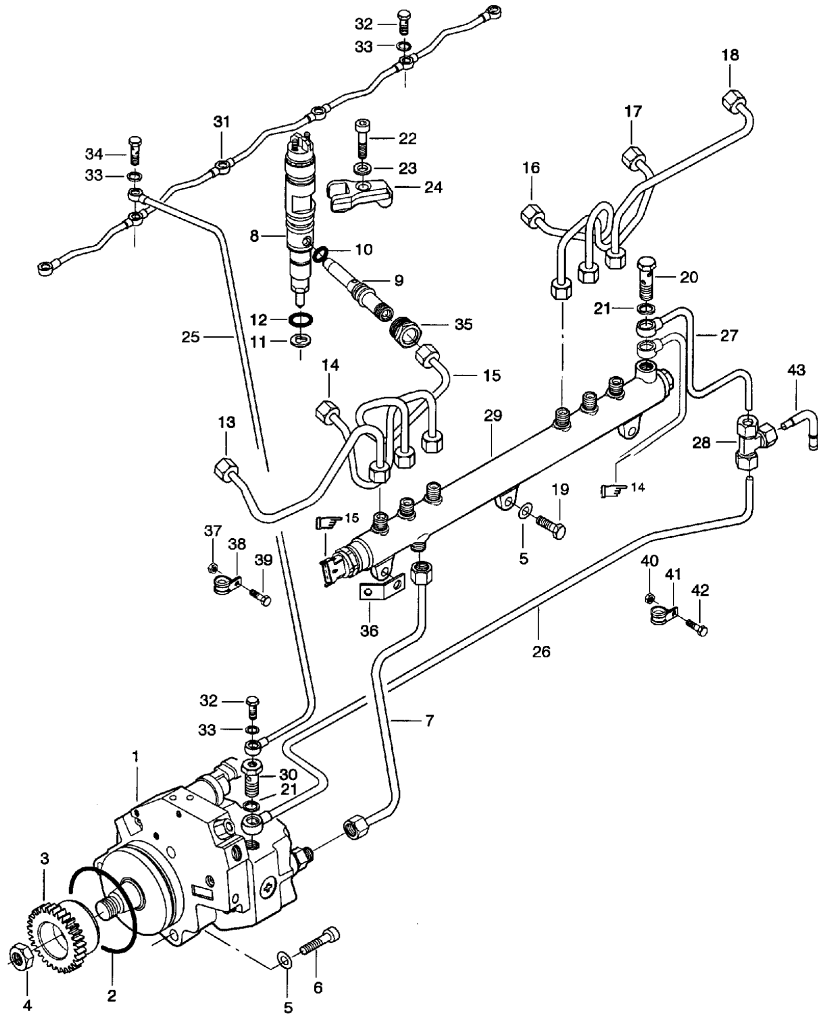
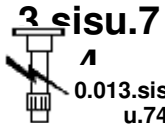
- | | | | |
|----|-----------|----|------------|
| 1 | 837069011 | 6 | LEVER |
| 2 | 512861000 | 6 | NUT |
| 3 | 837069023 | 6 | SCREW |
| 4 | 837069020 | 4 | PLUG |
| 5 | 837069013 | 6 | LEVER |
| 6 | 512861000 | 6 | NUT |
| 7 | 837069023 | 6 | SCREW |
| 8 | 837069017 | 4 | STIRRUP |
| 9 | 837069019 | 4 | SPRING |
| 10 | 837069015 | 2 | SHAFT |
| 11 | 837069018 | 2 | STIRRUP |
| 12 | 836655406 | 4 | NUT |
| 13 | 529801920 | 2 | BOLT |
| 14 | 837070119 | 12 | BUTTON |
| 15 | 836014264 | 12 | BUSH |
| 16 | 837070148 | 1 | CAMSHAFT |
| 17 | 603305760 | 1 | KEY |
| 18 | 837070036 | 1 | GEAR |
| 19 | 837069006 | 12 | SOCKET |
| 20 | 837064910 | 48 | COTTER, RO |
| 21 | 837069004 | 24 | PLATE |
| 22 | 837069005 | 24 | SPRING |
| 23 | 837069002 | 12 | VALVE |
| 24 | 837069003 | 12 | VALVE |
| 25 | 837069085 | 1 | NUT |

SISU Diesel 74

0.01

GAS PUMP

MTB "LCS" 296 lcs (318200001_318200209)



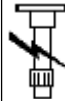
- | | | | |
|----|-----------|----|------------|
| 1 | 837069146 | 1 | PUMP |
| 2 | 837069147 | 1 | O-RING |
| 3 | 837070087 | 1 | GEAR |
| 4 | 504611802 | 1 | NUT |
| 5 | 500950800 | 6 | WASHER |
| 7 | 837070246 | 1 | PIPE |
| 10 | 837069314 | 1 | O-RING |
| 11 | 837069032 | 1 | GASKET |
| 12 | 837069313 | 1 | O-RING |
| 13 | 837070077 | 1 | PIPE |
| 14 | 837070078 | 1 | PIPE |
| 15 | 837070079 | 1 | PIPE |
| 16 | 837070080 | 1 | PIPE |
| 17 | 837070081 | 1 | PIPE |
| 18 | 837070082 | 1 | PIPE |
| 19 | 528801380 | 3 | BOLT |
| 20 | 640425008 | 1 | BOLT |
| 21 | 615881216 | 5 | GASKET |
| 22 | 581704660 | 6 | BOLT |
| 23 | 837070121 | 6 | WASHER |
| 24 | 837069007 | 6 | HOLDER ELE |
| 25 | 837070273 | 1 | PIPE |
| 26 | 837070257 | 1 | PIPE |
| 27 | 837070254 | 1 | PIPE |
| 28 | 641436008 | 1 | CONNECTION |
| 29 | 837069050 | 1 | CROSSPIECE |
| 30 | 837070314 | 1 | BOLT |
| 31 | 837069027 | 1 | PIPE |
| 32 | 640435005 | 6 | BOLT |
| 33 | 615870812 | 14 | GASKET |
| 34 | 640425005 | 1 | BOLT |
| 35 | 837069268 | 6 | NUT |
| 36 | 837070327 | 1 | SUPPORT |
| 37 | 504600502 | 1 | NUT |

STRAW WALKERS

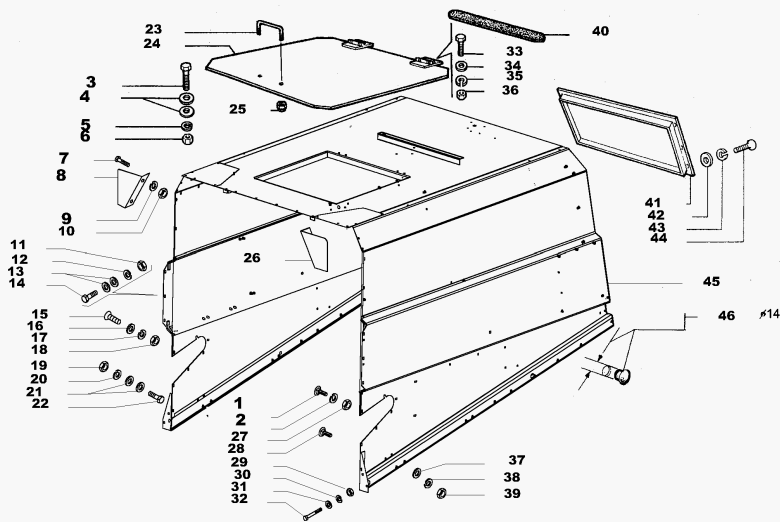
21 -
21.02/1

REAR BODY page1

MTB "LCS" 296 lcs (318200001_318200209)



2121.02/
1



- | | | | |
|----|-----------|---|------------|
| 1 | 350342525 | 1 | SCREW |
| 2 | 12035671 | 1 | LOCK WASHE |
| 3 | 16043424 | 1 | SCREW |
| 4 | 355510820 | 1 | WASHER |
| 5 | 12034571 | 1 | LOCK WASHE |
| 6 | 16100811 | 1 | NUT |
| 7 | 16043221 | 1 | SCREW |
| 8 | 322901750 | 1 | PANEL |
| 9 | 12034571 | 1 | LOCK WASHE |
| 10 | 16100811 | 1 | NUT |
| 11 | 11701721 | 1 | NUT |
| 12 | 12034671 | 1 | LOCK WASHE |
| 13 | 355501120 | 1 | WASHER |
| 14 | 11106221 | 1 | SCREW |
| 15 | 14442031 | 1 | SCREW |
| 16 | 355510820 | 1 | WASHER |
| 17 | 12034571 | 1 | LOCK WASHE |
| 18 | 16100811 | 1 | NUT |
| 19 | 16100811 | 1 | NUT |
| 20 | 12034571 | 1 | LOCK WASHE |
| 21 | 355510820 | 1 | WASHER |
| 22 | 16043424 | 1 | SCREW |
| 23 | 322342350 | 1 | HANDLE |
| 24 | 322342750 | 1 | COVER |
| 25 | 12574211 | 1 | NUT |
| 26 | 322901850 | 1 | PANEL |
| 27 | 11701721 | 1 | NUT |
| 28 | 350342511 | 1 | SCREW |
| 29 | 11702911 | 1 | NUT |
| 30 | 12034771 | 1 | LOCK WASHE |
| 31 | 355501330 | 1 | WASHER |
| 32 | 11114221 | 1 | SCREW |
| 33 | 10902224 | 1 | SCREW |
| 34 | 355500715 | 1 | WASHER |

286 LCS

Carenage arriere
Hintere Karosserie

CARENATURA POSTERIORE

Rear body
Carenado posterior

21.02

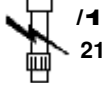
1/2 21020552005

STRAW WALKERS

21 -

STRAW CHOPPER - ELECTRIC SYSTEM

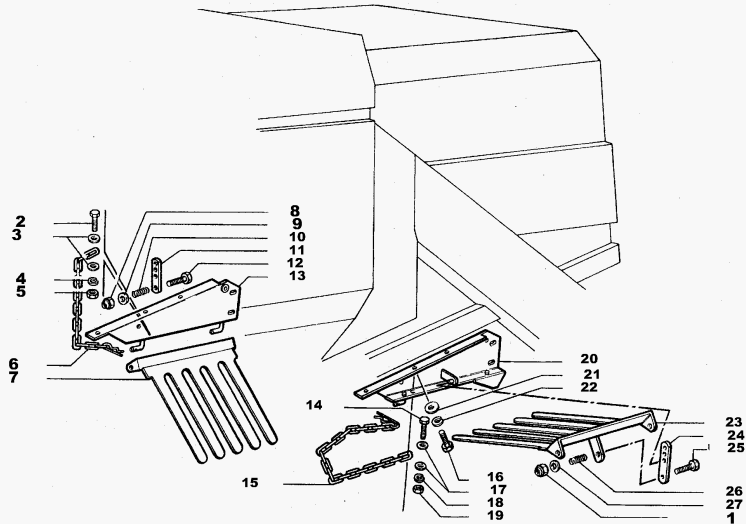
21 24.10



/1

2121.24.
10/1

MTB "LCS" 296 lcs (318200001_318200209)



- | | | | | |
|----|-----------|--------------------|---|------------|
| 1 | 12577211 | | 1 | NUT |
| 2 | 10902424 | | 1 | SCREW |
| 3 | 355500720 | ● 003555007150 (1) | 1 | WASHER |
| 4 | 12035670 | ● 000120356710 (1) | 1 | LOCK WASHE |
| 5 | 15896221 | | 1 | NUT |
| 6 | 322366800 | | 1 | LATCH |
| 7 | 322342650 | | 1 | RAKE |
| 8 | 12577211 | | 1 | NUT |
| 9 | 355501130 | | 1 | WASHER |
| 10 | 353561162 | | 1 | SPRING |
| 11 | 322267550 | | 1 | PLATE |
| 12 | 16040821 | | 1 | SCREW |
| 13 | 322350250 | | 1 | BOARD |
| 14 | 10902424 | | 1 | SCREW |
| 15 | 322366800 | | 1 | LATCH |
| 16 | 11106424 | | 1 | SCREW |
| 17 | 355500720 | ● 003555007150 (1) | 1 | WASHER |
| 18 | 12035670 | ● 000120356710 (1) | 1 | LOCK WASHE |
| 19 | 15896221 | | 1 | NUT |
| 20 | 322795650 | | 1 | BOARD |
| 21 | 355501130 | | 1 | WASHER |
| 22 | 12034671 | | 1 | LOCK WASHE |
| 23 | 322342650 | | 1 | RAKE |
| 24 | 322267550 | | 1 | PLATE |
| 25 | 16040821 | | 1 | SCREW |
| 26 | 353561162 | | 1 | SPRING |
| 27 | 355501130 | | 1 | WASHER |

286 LCS

TRINCIAPAGLIA - SUPPORTI

Hache-paille - Installation electrico
Strohhaeckler - Elektrische anlage

Straw chopper - Electric system
Cortador de paja - Sistema electrico

21.24.10

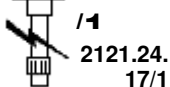
10/17 21240552006

STRAW WALKERS

21 -

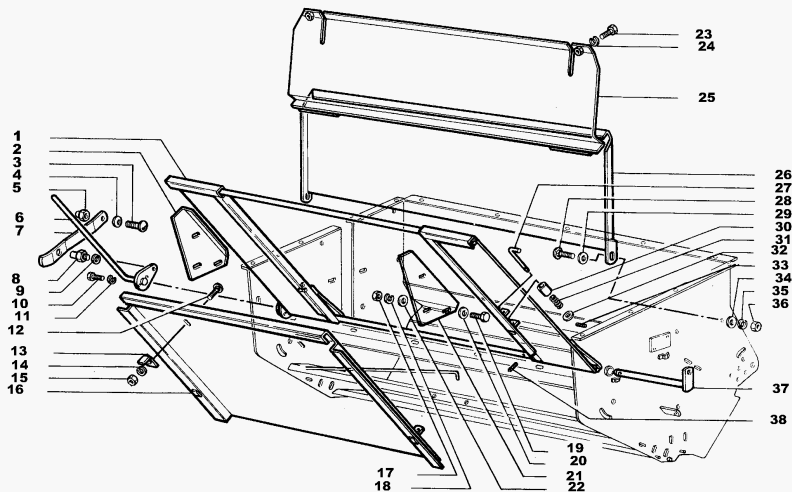
STRAW CHOPPER - STRAW CHOPPER EXCLUSION DEVICE

21 24.17



MTB "LCS" 296 lcs (318200001_318200209)

- | | | | |
|----|-----------|---|------------|
| 34 | 355510820 | 1 | WASHER |
| 35 | 12034571 | 1 | LOCK WASHE |
| 36 | 16100811 | 1 | NUT |
| 37 | 322348250 | 1 | LEVER LEAD |
| 38 | 14600970 | 1 | PLUG |



286 LCS

TRINCIAPAGLIA - DISPOSITIVO ESCLUSIONE TRINCIAPAGLIA
 Hache-paille - Dispositif d'exclusionhache-paille Straw chopper - Straw chopper exclusion device
 Strohaecksler - Ausschaltenrichtung Cortador de paja - Dispositif exclusion cortador de paja

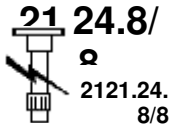
21.24.17

17/17 21240552006

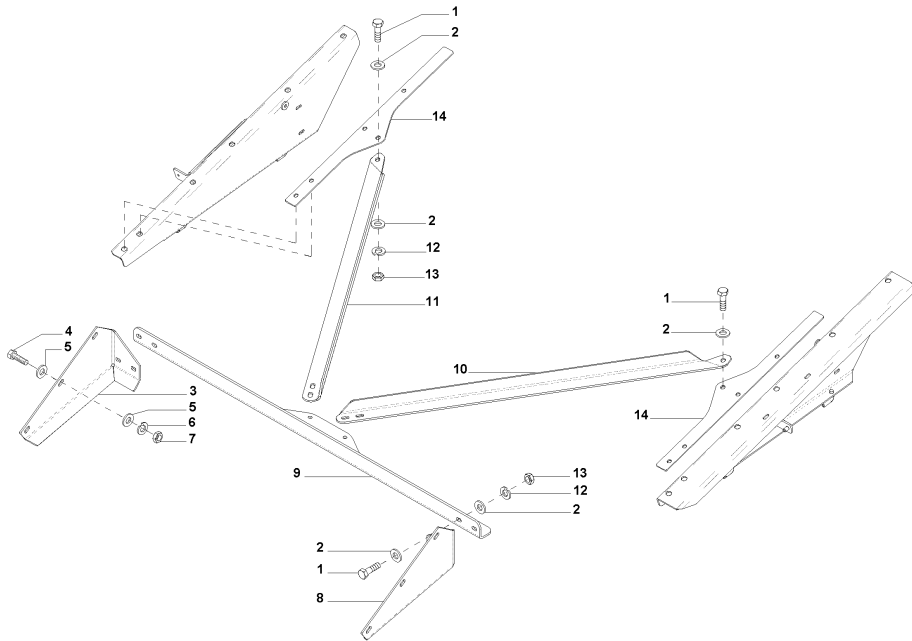
STRAW WALKERS

21 -

STRAW-CHOPPER - BODY STIFFENER



MTB "LCS" 296 lcs (318200001_318200209)



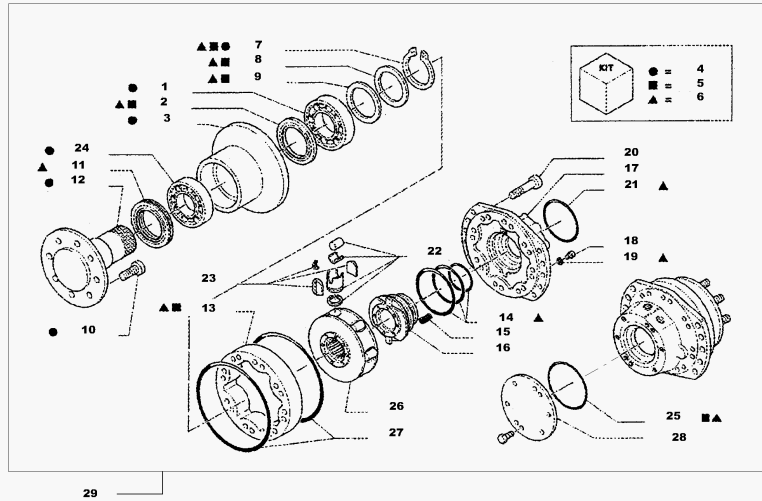
- | | | | |
|----|------------------|---|------------|
| 1 | 0001110642
10 | 3 | SCREW |
| 2 | 0035550112
00 | 3 | WASHER |
| 3 | 0032287325
00 | 1 | STIRRUP |
| 4 | 0001604362
10 | 3 | SCREW |
| 5 | 0035550092
00 | 3 | WASHER |
| 6 | 0001203457
10 | 3 | LOCK WASHE |
| 7 | 0001610081
10 | 3 | NUT |
| 8 | 0032287335
00 | 1 | STIRRUP |
| 9 | 0032326835
00 | 1 | ANGULAR |
| 10 | 0032349225
00 | 1 | ANGULAR |
| 11 | 0032349235
00 | 1 | ANGULAR |
| 12 | 0001203467
10 | 2 | LOCK WASHE |
| 13 | 0001170171
10 | 2 | NUT |
| 14 | 0032349125
00 | 2 | BLADE CUTT |

TRACTION

11 -
11.06/3

POWERED REAR AXLE FOUR WD page3

MTB "LCS" 296 lcs (318200001_318200209)



- | | | | |
|----|-----------|---|------------|
| 1 | 89512188 | 1 | BEARING |
| 2 | 89512187 | 1 | GASKET |
| 3 | 89512186 | 1 | SUPPORT |
| 4 | 84018659 | 1 | SUPPORT |
| 5 | 89512219 | 1 | KIT SEALS |
| 6 | 89512220 | 1 | KIT SEALS |
| 7 | 89512190 | 1 | RING |
| 8 | 89512189 | 1 | WASHER |
| 9 | 89512217 | 1 | RING |
| 10 | 89512182 | 1 | COLUMN |
| 11 | 322718650 | 1 | GASKET |
| 12 | 89512181 | 1 | SUPPORT |
| 13 | 89512192 | 1 | RING |
| 14 | 89512218 | 1 | KIT SEALS |
| 15 | 89512195 | 1 | SPRING |
| 16 | 89512193 | 1 | DISTRIBUTO |
| 17 | 84018632 | 1 | COVER |
| 18 | 84018634 | 1 | SCREW |
| 19 | 84018633 | 1 | AIRTIGHT E |
| 20 | 84018635 | 1 | SCREW |
| 21 | 89512197 | 1 | O-RING |
| 22 | 89512215 | 1 | KIT SEALS |
| 23 | 84018631 | 1 | KIT SEALS |
| 24 | 89512185 | 1 | BEARING |
| 25 | 89512197 | 1 | O-RING |
| 26 | 84018630 | 1 | IMPELLER |
| 27 | 89512199 | 1 | O-RING |
| 28 | 323100650 | 1 | COVER |
| 29 | 9512176 | 1 | HYDRAULIC |

286 LCS

Essieu arriere
Hinterachse

TRAZIONE A 4 RUOTE MOTRICI

Powered rear axle four wd
Puente posterior

11.06

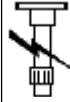
3/5 11060152022

TRACTION

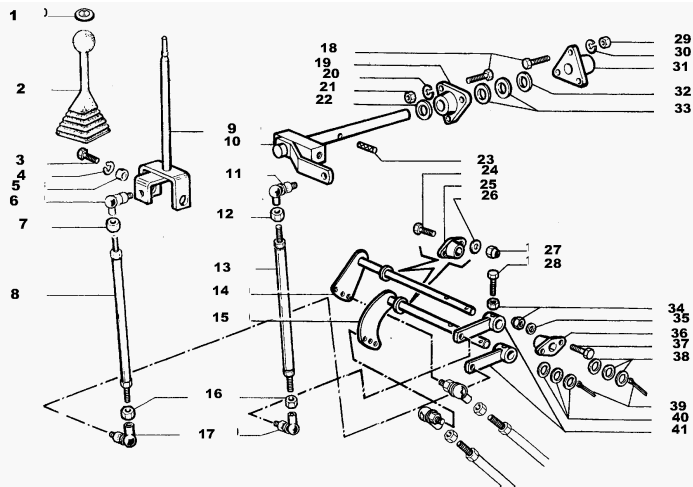
11 -
11.13/1

SHIFT LEVERS page1

MTB "LCS" 296 lcs (318200001_318200209)



1111.13/
1



- | | | | |
|----|-----------|---|-----------|
| 32 | 355536230 | 1 | WASHER |
| 33 | 355536220 | 1 | WASHER |
| 34 | 16104121 | 1 | NUT |
| 35 | 355510820 | 1 | WASHER |
| 36 | 321907050 | 1 | SUPPORT |
| 37 | 16043624 | 1 | SCREW |
| 38 | 355533830 | 1 | WASHER |
| 39 | 10734901 | 1 | LINCH PIN |
| 40 | 355533830 | 1 | WASHER |
| 41 | 322078250 | 1 | LEVER |

286 LCS

Levier de boîte à vitesses
Schalthebel

LEVE CAMBIO

Shift levers
Palanca cambio

11.13

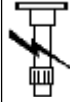
1/2 11130552002

TRACTION

11 -
11.21/1

FRONT AXLE SPACER (MM. 250)

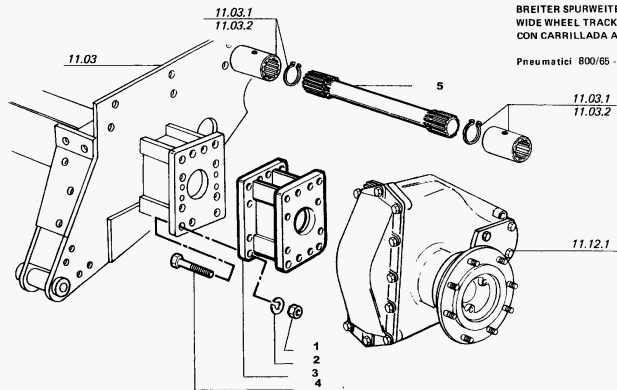
MTB "LCS" 296 lcs (318200001_318200209)



1111.21/
1

- 1 10790521
- 2 12034871
- 3 320719950
- 4 11254134
- 5 321987750

- 1 NUT
- 1 LOCK WASHE
- 1 EXTENSION
- 1 SCREW
- 1 HALFSHAFT



CON CARREGGIATA LARGA
AVEC VOIE AVANT LARGE
BREITER SPURWEITE
WIDE WHEEL TRACK
CON CARRILLADA ANCHA
Pneumatici 800/65 - R 32

286 LCS

DISTANZIATORE ASSALE ANTERIORE (mm. 250)

Entretoise essieu avant
Vorderachse abstandstueck

Front axle spacer
Separador eje anterior

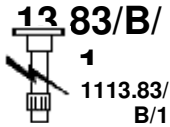
11.21

1/1 11210552013

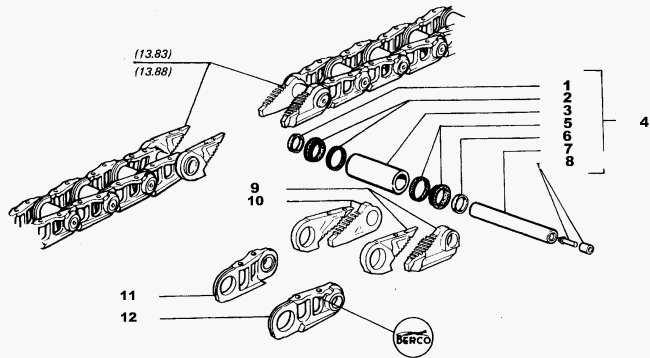
TRACTION

11 -

CHAIN ELEMENTS (Berco) 322483000 322483200



MTB "LCS" 296 lcs (318200001_318200209)



AUTOLUBRIFICATA - GRAISSAGE-AUTOMATIQUE -
SELF-LUBRICATING - SELBST-SCHMIERUNG - AUTOLUBRIFICATING

- | | | | |
|----|-----------|---|------------|
| 1 | 322507650 | 1 | SPACER |
| 2 | 322581100 | 1 | SET OF RIN |
| 3 | 322507450 | 1 | BUSH |
| 4 | 322583800 | 1 | KIT, MISC |
| 5 | 322581100 | 1 | SET OF RIN |
| 6 | 322507650 | 1 | SPACER |
| 7 | 322507550 | 1 | PIN |
| 8 | 322580500 | 1 | KIT, MISC |
| 9 | 313545400 | 1 | CONNECTING |
| 10 | 313545500 | 1 | CONNECTING |
| 11 | 300134635 | 1 | TRACK LINK |
| 12 | 300134628 | 1 | TRACK LINK |

286 LCS

ELEMENTI CATENARIA (BERCO) 322483000 - 322483200

Elements chaines
Kettenelemente

Chain elements
Elementos cadenas

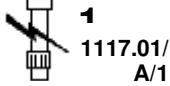
13.83/B

TRACTION

11 -

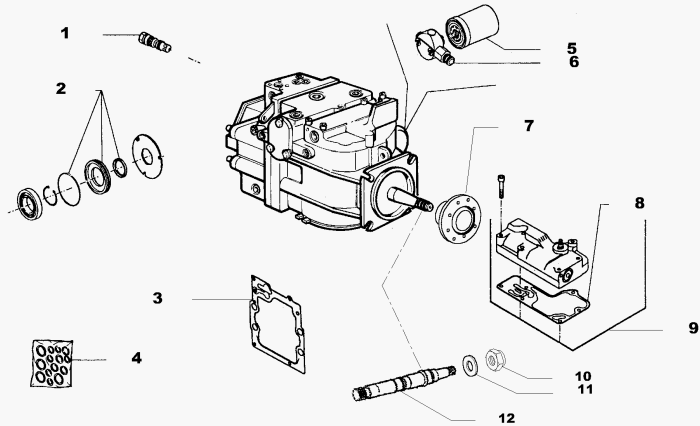
HYDROSTATIC PUMP ELEMENTS

17 01/A/



MTB "LCS" 296 lcs (318200001_318200209)

- | | | | |
|----|-----------|---|------------|
| 1 | 322180000 | 1 | VALVE |
| 2 | 322180400 | 1 | KIT SEALS |
| 3 | 322329450 | 1 | GASKET |
| 4 | 322179900 | 1 | KIT SEALS |
| 5 | 322104400 | 1 | FILTER, EL |
| 6 | 322180550 | 1 | HEAD |
| 7 | 322981650 | 1 | HUB |
| 8 | 322180250 | 1 | GASKET |
| 9 | 322180100 | 1 | VALVE |
| 10 | 323076050 | 1 | NUT |
| 11 | 355502540 | 1 | WASHER |
| 12 | 323075850 | 1 | SHAFT |



286 LCS

ELEMENTI POMPA IDROSTATICA 323071400
Elements pompe hydrostatique
Hydrostatischenpumpenelemente
Hydrostatic pump elements
Elementos bomba hidrostática

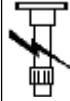
17.01/A

TRACTION

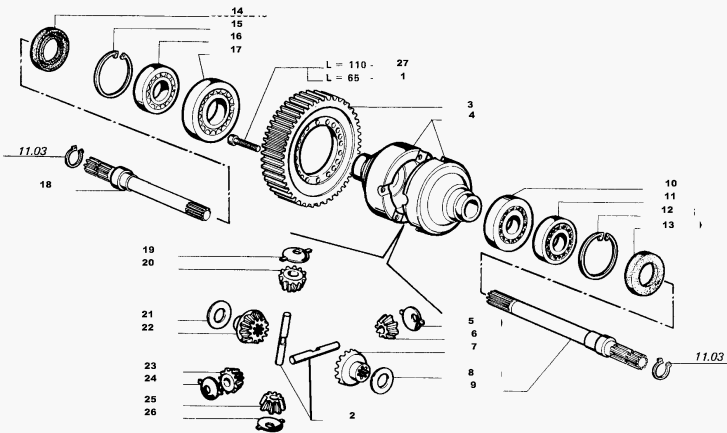
11 -
17.03/6

GEAR BOX page 4

MTB "LCS" 296 lcs (318200001_318200209)



1117.03/
6



- | | | | |
|----|-----------|---|------------|
| 1 | 14422634 | 1 | SCREW |
| 2 | 321913250 | 1 | PIN |
| 3 | 322099550 | 1 | CROWNWHEEL |
| 4 | 321873500 | 1 | BOX |
| 5 | 321913350 | 1 | WASHER |
| 6 | 322095450 | 1 | PINION, ID |
| 7 | 322095350 | 1 | GEAR, PLAN |
| 8 | 321913450 | 1 | WASHER |
| 9 | 321900450 | 1 | HALFSHAFT |
| 10 | 20645490 | 1 | BEARING |
| 11 | 20973340 | 1 | BEARING |
| 12 | 11062976 | 1 | SPRING LOC |
| 13 | 353583240 | 1 | GASKET |
| 14 | 353583240 | 1 | GASKET |
| 15 | 11062976 | 1 | SPRING LOC |
| 16 | 20973340 | 1 | BEARING |
| 17 | 28042550 | 1 | BEARING |
| 18 | 321900550 | 1 | HALFSHAFT |
| 19 | 321913350 | 1 | WASHER |
| 20 | 322095450 | 1 | PINION, ID |
| 21 | 321913450 | 1 | WASHER |
| 22 | 322095350 | 1 | GEAR, PLAN |
| 23 | 322095450 | 1 | PINION, ID |
| 24 | 321913350 | 1 | WASHER |
| 25 | 322095450 | 1 | PINION, ID |
| 26 | 321913350 | 1 | WASHER |
| 27 | 14423534 | 1 | SCREW |

286 LCS

Boîte de vitesses
Getriebegehäuse

CAMBIO

Gear box
Caja del cambio

17.03

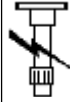
6/6 17030332000

TRACTION

11 -
17.10/2

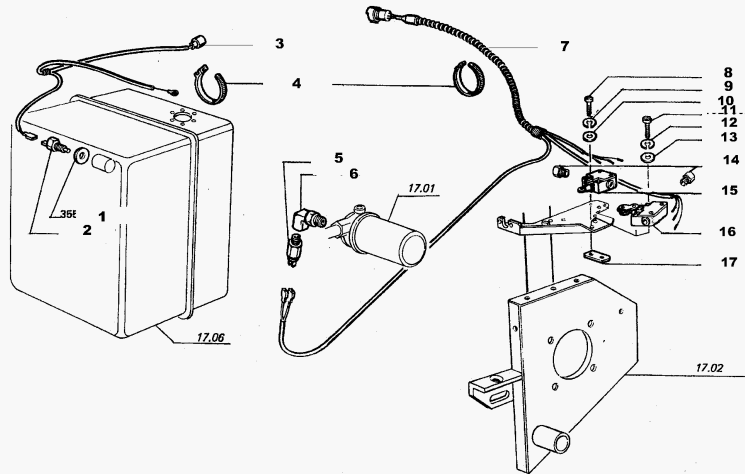
SAFETY DISPOSAL HYDROSTATIC TRACTION page2

MTB "LCS" 296 lcs (318200001_318200209)



1117.10/
2

- | | | | |
|----|-----------|---|------------|
| 1 | 355561430 | 1 | WASHER |
| 2 | 321708050 | 1 | CONTACT |
| 3 | 322876800 | 1 | WIRE/CABLE |
| 4 | 340481806 | 1 | CLAMP |
| 5 | 321701450 | 1 | PRESSURE S |
| 6 | 322764350 | 1 | UNION |
| 7 | 322864500 | 1 | CABLE |
| 8 | 13273221 | 1 | SCREW |
| 9 | 12035371 | 1 | LOCK WASHE |
| 10 | 355500515 | 1 | WASHER |
| 11 | 13273021 | 1 | SCREW |
| 12 | 12035371 | 1 | LOCK WASHE |
| 13 | 355500515 | 1 | WASHER |
| 14 | 321910400 | 1 | CABLE CLIP |
| 15 | 322622400 | 1 | SWITCH |
| 16 | 322622500 | 1 | SWITCH |
| 17 | 322226450 | 1 | PLATE |



286 LCS

DISPOSITIVO DI SICUREZZA PER TRAZIONE IDROSTATICA

Lever multifonctions pour traction hydrostatique
Mehrfunktionsehebel fuer hydrostatischen antrieb
Multifunctions lever for hydrostatic traction
Palanca multifunciones por traccion hidrostatica

17.10

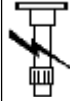
2/2 17100172005

VARIATIONS

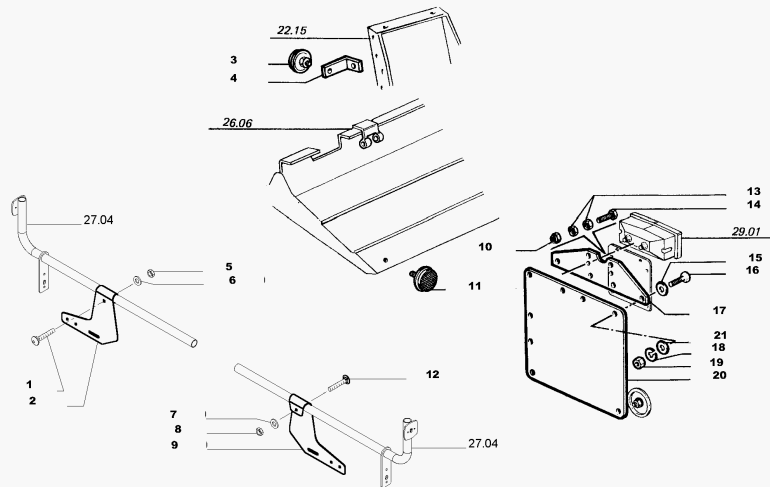
**100
- 074/1**

SWITZERLAND VERSION

MTB "LCS" 296 lcs (318200001_318200209)



100074/1



- | | | | | |
|----|-----------|--------------------|---|------------|
| 1 | 13178601 | | 1 | SCREW |
| 2 | 323201650 | | 1 | SUPPORT |
| 3 | 320968900 | | 1 | REFLECTOR |
| 4 | 322194950 | | 1 | BRACKET, S |
| 5 | 12574211 | | 1 | NUT |
| 6 | 355510620 | ● 003555106150 (1) | 1 | WASHER |
| 7 | 355510620 | ● 003555106150 (1) | 1 | WASHER |
| 8 | 12574211 | | 1 | NUT |
| 9 | 323201650 | | 1 | SUPPORT |
| 10 | 12574211 | | 1 | NUT |
| 11 | 320968900 | | 1 | REFLECTOR |
| 12 | 13178601 | | 1 | SCREW |
| 13 | 15896211 | | 1 | NUT |
| 14 | 16050621 | | 1 | SCREW |
| 15 | 355510615 | | 1 | WASHER |
| 16 | 10902224 | | 1 | SCREW |
| 17 | 322397050 | | 1 | SUPPORT |
| 18 | 12035671 | | 1 | LOCK WASHE |
| 19 | 15896211 | | 1 | NUT |
| 20 | 321999050 | | 1 | PANEL |
| 21 | 355510615 | | 1 | WASHER |

286 LCS

Equipment Suisse
Ausrustung fuer Schweiz

ALLESTIMENTO SVIZZERA

Switzerland version
Alislarmento Suiza

074

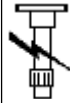
1/1 30040172005

VARIATIONS

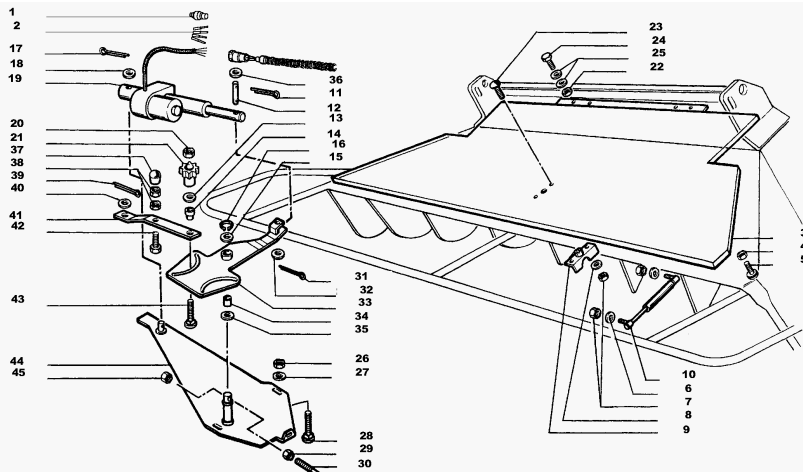
100
- 290/2

ELECTRICAL ADJUSTMENT DEFLECTORS page2

MTB "LCS" 296 lcs (318200001_318200209)



100290/2



- 24 0008012010 1 SCREW
40
- 25 0000032235 1 WASHER,LOC
80
- 26 0008010001 ● 000117017110 (1) 1 NUT,HEX.
60
- 27 0008014004 ● 000001400450 (1) 1 LOCK WASHE
50
- 28 0008012004 ● 003660010160 (1) 1 SCREW
10
- 29 0008010001 ● 000117017110 (1) 1 NUT,HEX.
60
- 30 0008401859 1 ROD,THREADED
70
- 31 0008013000 ● 000107668010 (1) 1 PIN,SPLIT
30
- 32 0008037824 1 WASHER
50
- 33 0008432004 ● 000840183450 (1) 1 LEVER
50
- 34 0008039558 ● 000003955890 (1) 1 SLEEVE
90
- 35 0008014010 ● 003555367100 (1) 1 WASHER
30
- 36 0008037824 1 WASHER
50
- 37 0008037278 1 KNOB
30
- 38 0008032323 1 NUT,HEX.
80
- 39 0008013000 ● 000107346010 (1) 1 PIN,SPLIT
40
- 40 0008037824 1 WASHER
60
- 41 0008401832 1 PAD,ADJUSTING
20
- 42 0008030038 ● 000111126210 (1) 1 SCREW
90

286 LCS

REGOLAZIONE ELETTRICA DEFLETTORI
Deflecteur réglable électrique
Elektrische einstellbare ablenkblech

Electrical adjustment deflectors
Deflector regulable electrica

290

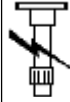
2/2 21250131003

VARIATIONS

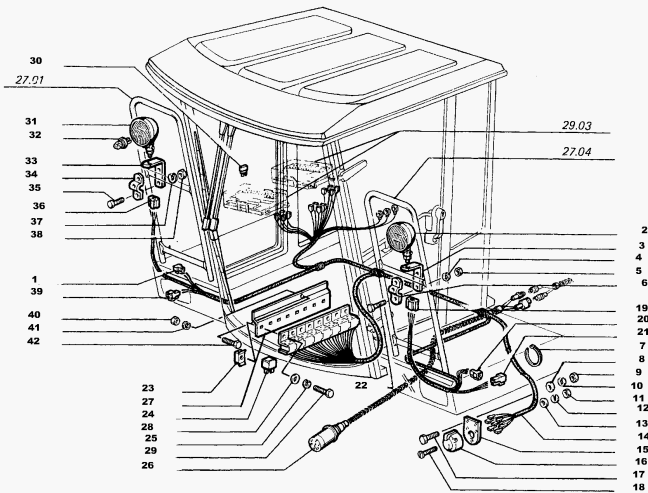
100
- 735/1

ADDITIONAL ELECTRIC SYSTEM

MTB "LCS" 296 lcs (318200001_318200209)



100735/1



- | | | | | |
|----|-----------|--------------------|---|------------|
| 30 | 11055190 | | 1 | FUSE |
| 31 | 322313600 | ● 000804188630 (1) | 1 | LAMP |
| 32 | 14147590 | ● 000141520900 (1) | 1 | LAMPADA |
| 33 | 322516950 | | 1 | BRACKET PL |
| 34 | 300114165 | | 1 | RETAINING |
| 35 | 16043424 | | 1 | SCREW |
| 36 | 12057980 | | 1 | UNIVERSAL |
| 37 | 12034571 | | 1 | LOCK WASHE |
| 38 | 16100811 | | 1 | NUT |
| 39 | 12066880 | | 1 | UNIVERSAL |
| 40 | 16100811 | | 1 | NUT |
| 41 | 12034571 | | 1 | LOCK WASHE |
| 42 | 16043424 | | 1 | SCREW |

286 LCS

IMPIANTO ELETTRICO BARRA RIPIEGHEVOLE

Installation électrique
Zusätzlicher elektrischer

Additional electric system
Instalacion eléctrica

735

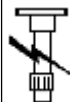
1/1 7117351790

VARIATIONS

100
- 739/6

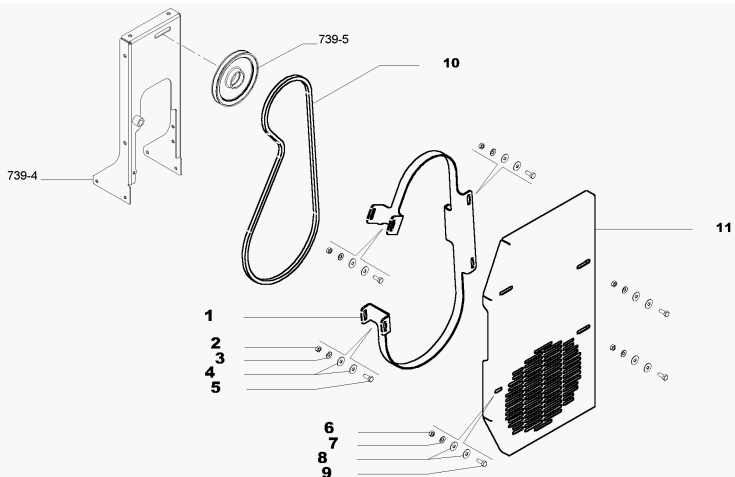
COMPRESSE AIR RECEIV pag 6

MTB "LCS" 296 lcs (318200001_318200209)



100739/6

- | | | | | |
|----|-----------|--------------------|---|--------|
| 1 | 323212050 | | 1 | SKATE |
| 2 | 16100811 | | 1 | NUT |
| 3 | 322358 | | 1 | WASHER |
| 4 | 355510815 | ● 003555108200 (1) | 1 | WASHER |
| 5 | 16043421 | | 1 | SCREW |
| 6 | 16100811 | | 1 | NUT |
| 7 | 322358 | | 1 | WASHER |
| 8 | 355510815 | ● 003555108200 (1) | 1 | WASHER |
| 9 | 16043421 | | 1 | SCREW |
| 10 | 340433152 | | 1 | BELT |
| 11 | 323211950 | | 1 | SHIELD |



286 LCS

Reservoir a air comprime
Druckluftbehälter

COMPRESSORE ARIA

Comprese air receiv
Compressore de aria

739

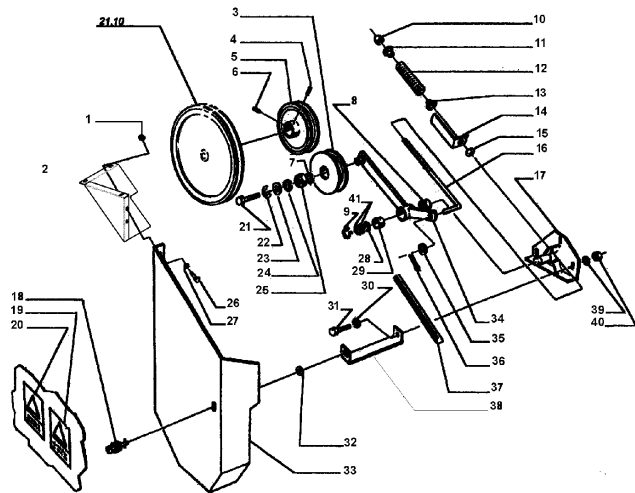
6/7 711739001

VARIATIONS

100
-
776.5/1
100776.5
/1

CHAFF SPREADER - GUARDS

MTB "LCS" 296 lcs (318200001_318200209)



- | | | | | |
|----|-----------|--|---|------------|
| 1 | 15896421 | ● 000158964110 (1) | 1 | NUT |
| 2 | 323194550 | | 1 | SHIELD |
| 3 | 84056790 | | 1 | PULLEY |
| 4 | 80120109 | ● 003663610160 (1)
000117017110 (1) | 1 | SCREW |
| 5 | 322741250 | | 1 | PULLEY |
| 6 | 80120109 | ● 003663610160 (1)
000117017110 (1) | 1 | SCREW |
| 7 | 11060576 | | 1 | SPRING LOC |
| 8 | 84058148 | | 1 | BUSHING |
| 9 | 11087376 | | 1 | SPRING LOC |
| 10 | 12577511 | | 1 | NUT |
| 11 | 320998950 | | 1 | SPACER |
| 12 | 84056167 | | 1 | SPRING |
| 13 | 320998950 | | 1 | SPACER |
| 14 | 84056164 | | 1 | SUPPORT |
| 15 | 84043655 | | 1 | NUT |
| 16 | 84056165 | | 1 | TIE ROD |
| 17 | 322741150 | | 1 | SUPPORT |
| 18 | 321551650 | | 1 | STEM |
| 19 | 84014117 | ● 003410000190 (1) | 1 | DECAL |
| 20 | 84056170 | ● 003410000220 (1) | 1 | DECAL |
| 21 | 11112424 | | 1 | SCREW |
| 22 | 12034771 | | 1 | LOCK WASHE |
| 23 | 84056166 | | 1 | BUSH |
| 24 | 11060576 | | 1 | SPRING LOC |
| 25 | 322838450 | | 1 | EXTENSION, |
| 26 | 10977524 | | 1 | SCREW |
| 27 | 355500715 | | 1 | WASHER |

SPARGIPULA - PROTEZIONI

Epandeur de balle - Protections
Spreuverteiler - Schutz

Chaff spreader - Guards
Españador de tamo - Protecciones

776.5

1/1 7117761310

VARIATIONS

100
- 881/1

WEIGHT TRAY ON REAR TYRES

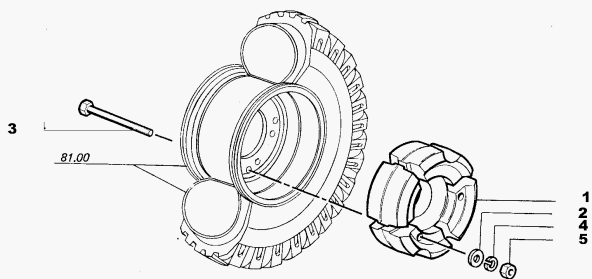
MTB "LCS" 296 lcs (318200001_318200209)



100881/1

- 1 300137455
- 2 355530960
- 3 300111034
- 4 12034771
- 5 12164911

- 1 WIGHT
- 1 WASHER
- 1 SCREW
- 1 LOCK WASHE
- 1 NUT



286 LCS

*Masses sur roues arrières
Ballastgewichte am hinterachse*

ZAVORRE SU RUOTE POSTERIORI

*Weight tray on rear tyres
Lastres sobre ruedas posterior*

881

1/1 11320131000

CLICK HERE TO **DOWNLOAD** THE COMPLETE MANUAL

- Thank you very much for reading the preview of the manual.
- You can download the complete manual from: www.heydownloads.com by clicking the link below



- Please note: If there is no response to CLICKING the link, please download this PDF first and then click on it.

CLICK HERE TO **DOWNLOAD** THE COMPLETE MANUAL