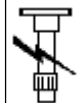


Drive's platform

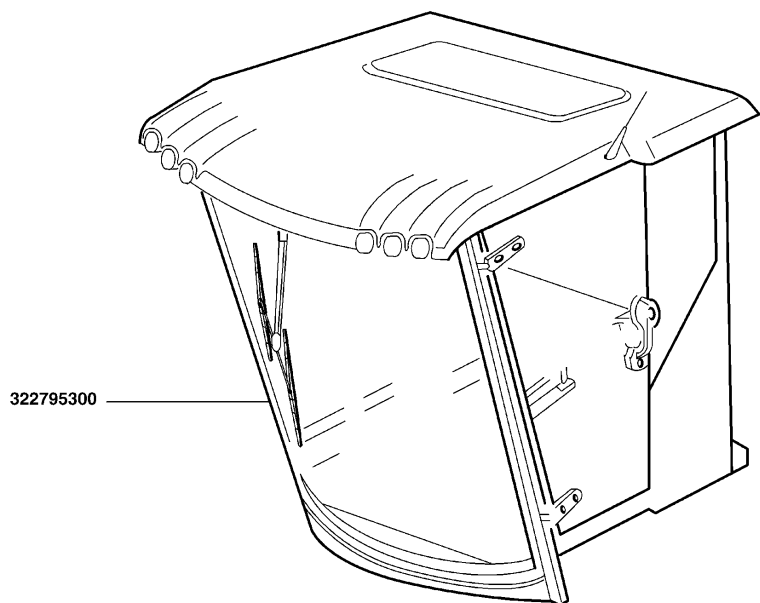


MTB "MCS - LX - 2560 LX
LXE - LS"

CAB - CLIMATIZED CAB

322795300

1 CAB



322795300

CLICK HERE TO **DOWNLOAD** THE COMPLETE MANUAL

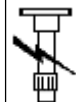
- Thank you very much for reading the preview of the manual.
- You can download the complete manual from: www.heydownloads.com by clicking the link below



- Please note: If there is no response to CLICKING the link, please download this PDF first and then click on it.

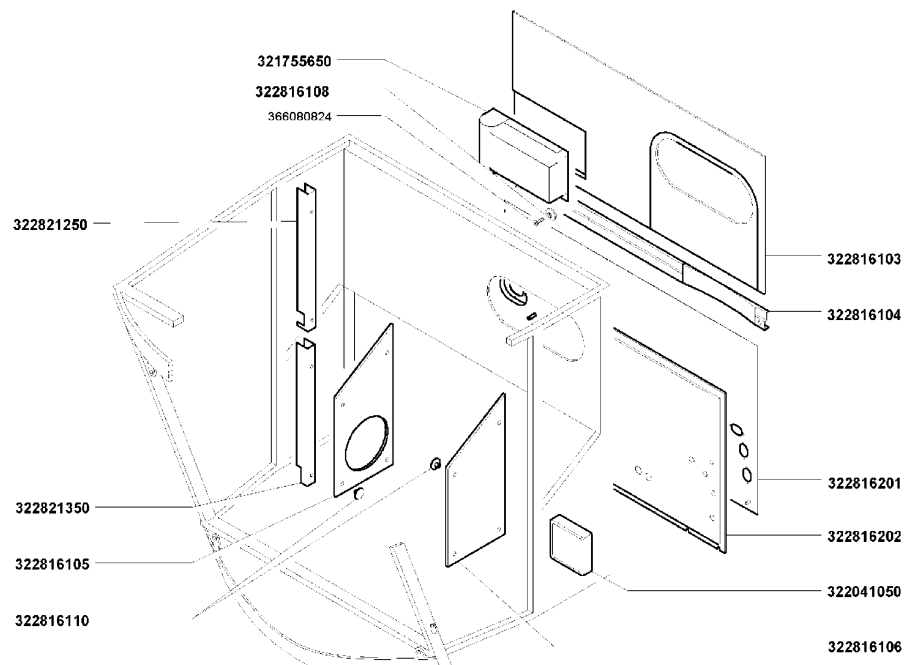
CLICK HERE TO **DOWNLOAD** THE COMPLETE MANUAL

Drive's platform



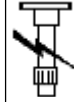
MTB "MCS - LX - 2560 LX
LXE - LS"

CAB - UPHOLSTERY



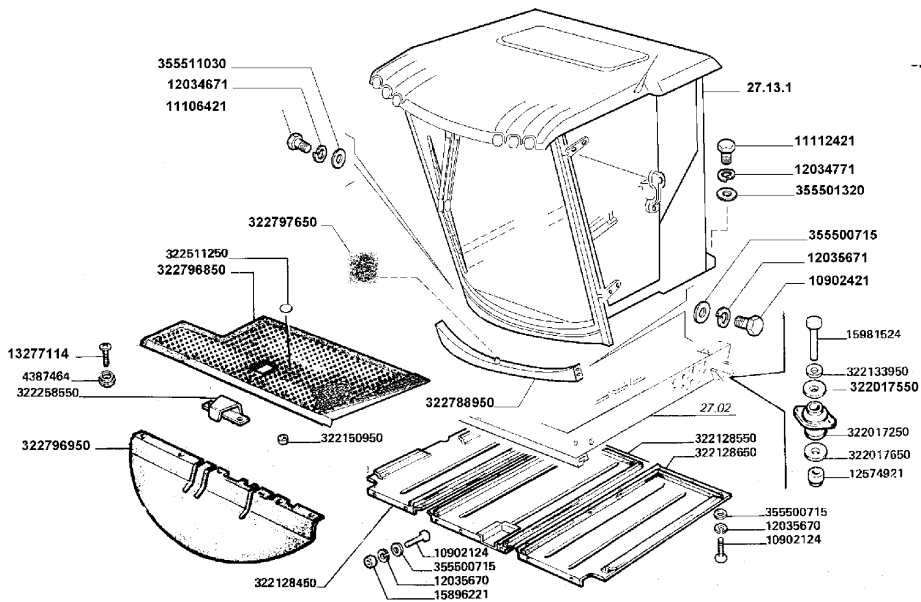
- | | |
|-----------|-------------|
| 321755650 | 1 BAG |
| 322041050 | 1 LID |
| 322816103 | 1 SOFT TRIM |
| 322816104 | 1 SOFT TRIM |
| 322816105 | 1 SOFT TRIM |
| 322816106 | 1 SOFT TRIM |
| 322816108 | 1 BOSS |
| 322816110 | 1 PLUG |
| 322816201 | 1 PANEL |
| 322816202 | 1 SOFT TRIM |
| 322821250 | 1 COVER |
| 322821350 | 1 COVER |
| 366080824 | 1 SCREW |

Drive's platform



MTB "MCS - LX - 2560 LX
LXE - LS"

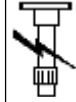
CAB INSTALLATION page 1



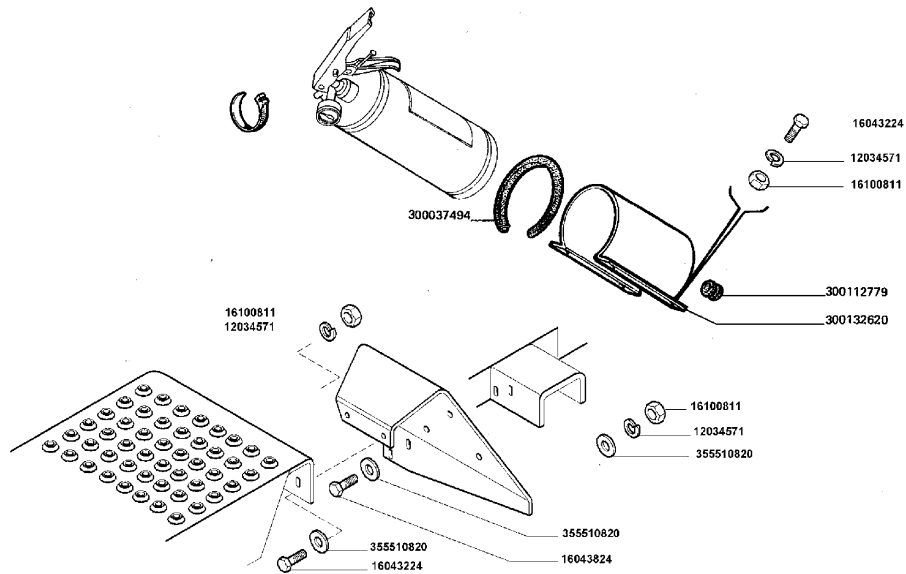
10902124		23	SCREW
10902421		2	SCREW
11106421		1	SCREW
11112421		1	SCREW
12034671		1	LOCK WASHE
12034771		1	LOCK WASHE
12035670	● 000120356710 (31)	31	LOCK WASHE
12035671		1	LOCK WASHE
12574921		4	NUT
13277114	● 000132771010 (1)	1	SCREW
15896221		15	NUT
15981524	● 000159815310 (1)	1	SCREW
322017250		4	SILENTBLOC
322017550		1	WASHER
322017650		4	WASHER
322128450		1	PANEL
322128550		1	PANEL
322128650		1	PANEL
322133950		4	WASHER
322150950		6	BUSH
322258550		1	PLATE
322511250		1	PLAQUE, DA
322788950		1	MOLDING
322796850		1	CARPET
322796950		1	MATTING
322797650		1	LOGO
355500715		26	WASHER
355501320		1	WASHER
355511030		1	WASHER
4387464		6	WASHER

Drive's platform

PLATFORM FOOTBOARDS page2



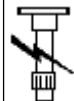
MTB "MCS - LX - 2560 LX
LXE - LS"



12034571
16043224
16043424
16043624
16043824
16100811
300037494
300112779
300132620
322789950
350342511
355500915
355510820

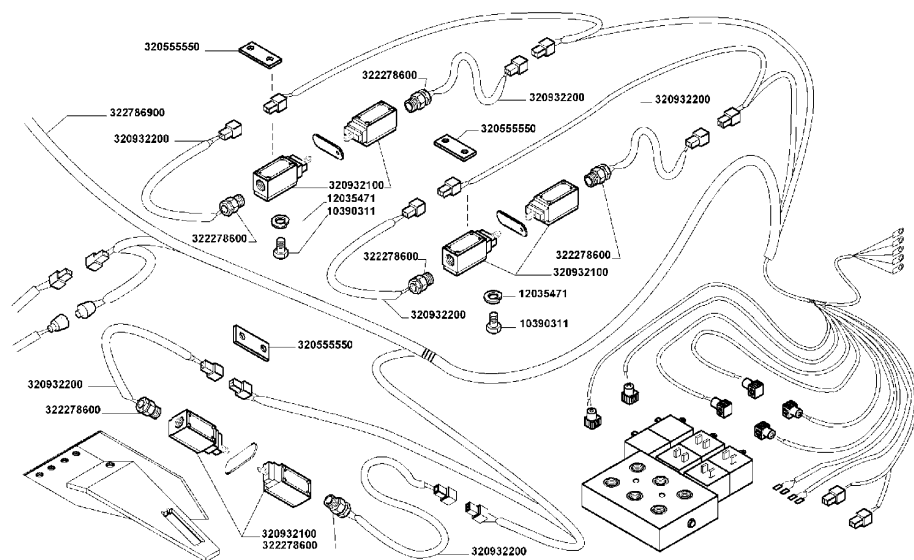
46 LOCK WASHE
4 SCREW
15 SCREW
13 SCREW
4 SCREW
28 NUT
1 GASKET
1 GROMMET
1 SUPPORT
1 STIRRUP
8 SCREW
2 WASHER
47 WASHER

Eletric system



MTB "MCS - LX - 2560 LX
LXE - LS"

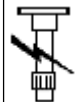
VALVE-CHEST CONTROL CIRCUITS page 3



10390311
12035471
32055550
320932100
320932200
322278600
322786900

16 SCREW
21 LOCK WASHE
8 PLATE
8 SWITCH
8 WIRE/CABLE
8 CABLE CLIP
1 WIRE/CABLE

Eletric system

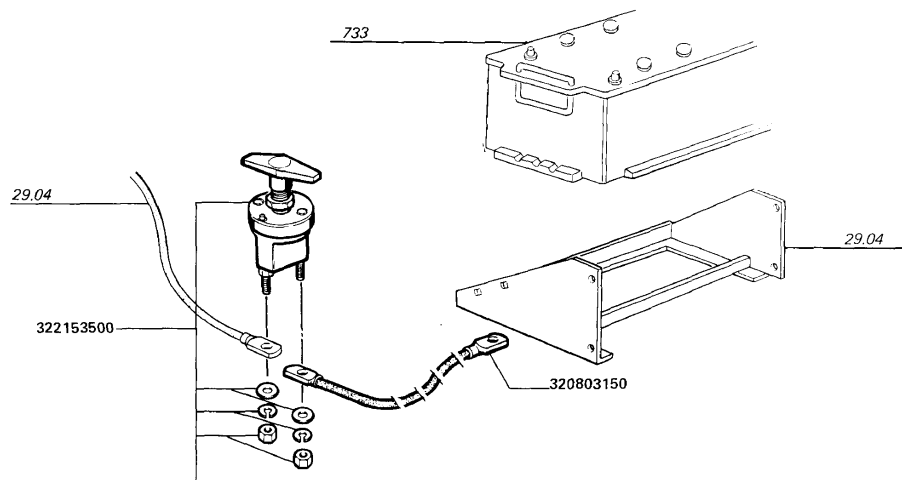


MTB "MCS - LX - 2560 LX
LXE - LS"

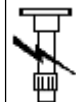
BATTERY DISENGAGING DEVICE

320803150
322153500

1 WIRE/CABLE
1 BATTERY RE



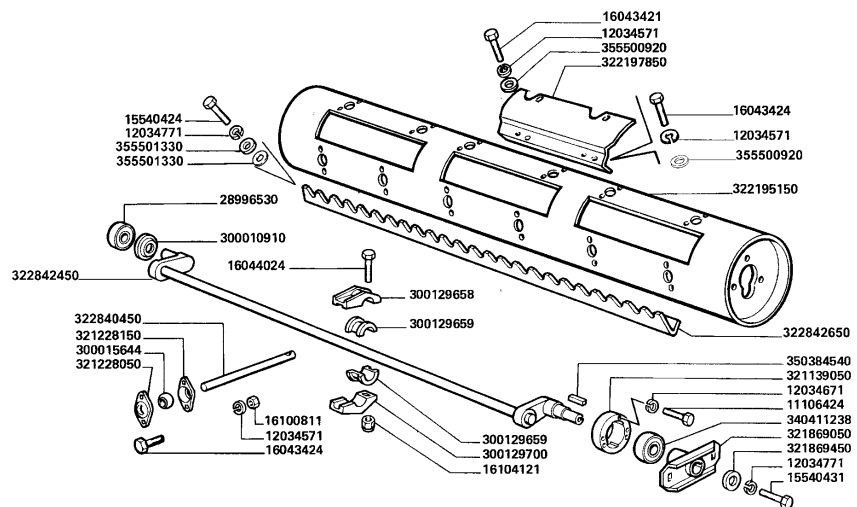
Elevator

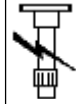


MTB "MCS - LX - 2560 LX
LXE - LS"

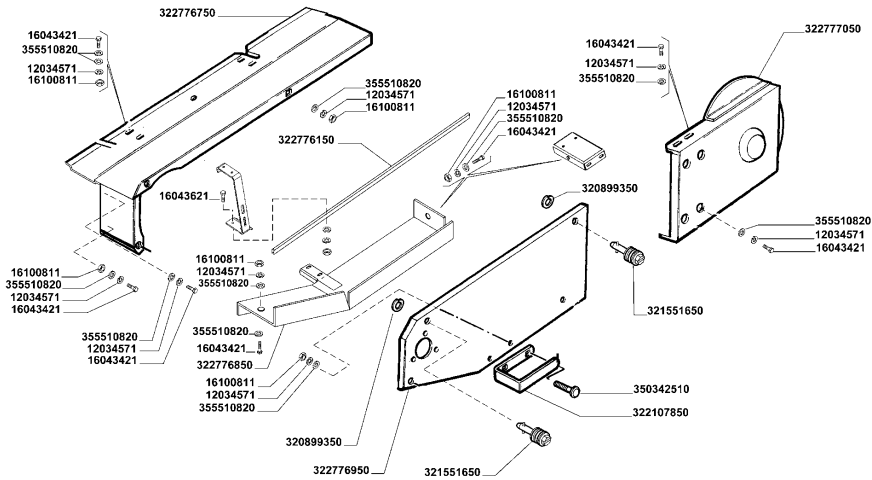
FEEDER ROLLER ELEMENTS

355501220	●	003555012300 (3)	3	WASHER
355501230			12	WASHER
355501330			2	WASHER





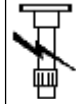
MTB "MCS - LX - 2560 LX
LXE - LS"



- 12034571
- 16043421
- 16043621
- 16100811
- 320899350
- 321551650
- 322107850
- 322776150
- 322776750
- 322776850
- 322776950
- 322777050
- 350342510
- 355510820

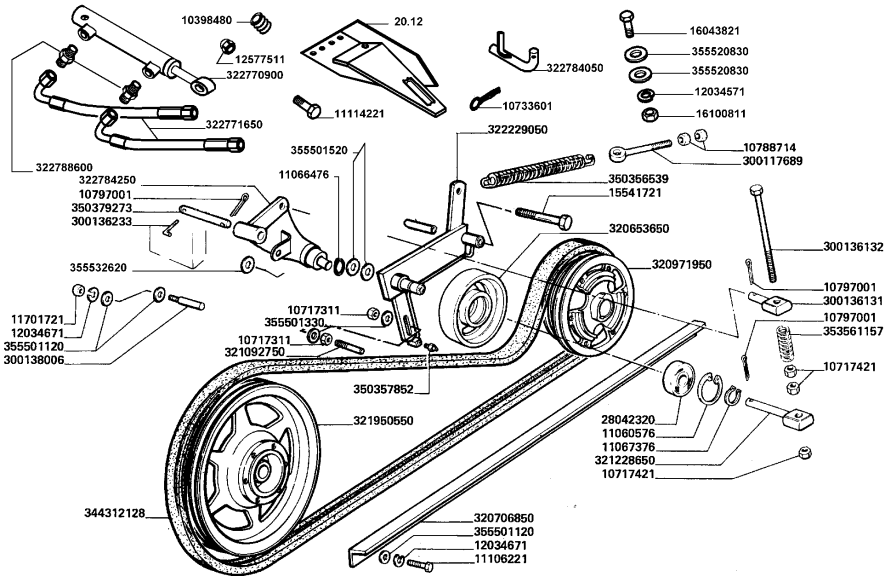
- 39 LOCK WASHE
- 190 SCREW
- 15 SCREW
- 27 NUT
- 5 WASHER
- 5 STEM
- 1 SUPPORT
- 1 PROFILE
- 1 SHIELD
- 1 SHIELD
- 1 PROTECTION
- 1 SHIELD
- 2 SCREW
- 75 WASHER

Elevator



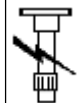
MTB "MCS - LX - 2560 LX
LXE - LS"

ELEVATOR TRANSMISSION



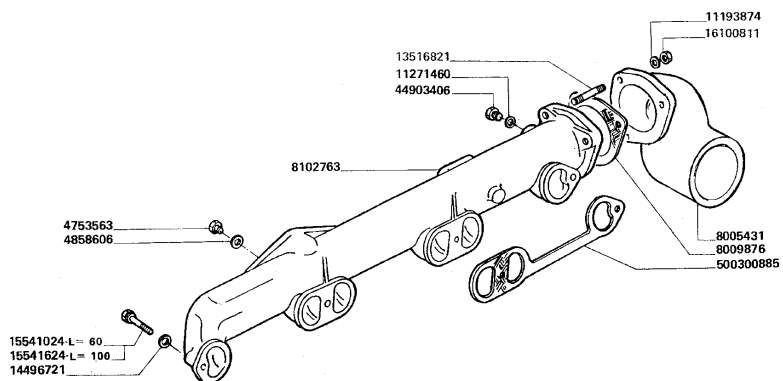
- 10398480 1 RING
- 10717311 2 NUT
- 10717421 3 NUT
- 10733601 1 LINCH PIN
- 10788714 2 NUT
- 10797001 2 LINCH PIN
- 11060576 1 SPRING LOC
- 11066476 1 SPRING LOC
- 11067376 1 SPRING LOC
- 11106221 2 SCREW
- 11114221 1 SCREW
- 11701721 5 NUT
- 12034571 8 LOCK WASHE
- 12034671 7 LOCK WASHE
- 12577511 1 NUT
- 15541721 1 SCREW
- 16043821 4 SCREW
- 16100811 8 NUT
- 28042320 1 BEARING
- 300117689 1 TIE ROD
- 300136131 1 BALL JOINT
- 300136132 1 TIE ROD
- 300136233 1 DOWEL
- 300138006 1 PIN
- 320653650 1 GEAR
- 320706850 1 SKATE
- 320971950 1 HUB
- 321092750 1 PIN
- 321228650 1 BALL JOINT
- 321950550 1 PULLEY
- 322229050 1 ARM
- 322770900 1 JACK
- 322771650 2 HOSE
- 322784050 1 TIE ROD

Engine



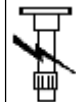
MTB "MCS - LX - 2560 LX
LXE - LS"

INTAKE MANIFOLD



- | | | |
|-----------|---|------------|
| 11193874 | 3 | LOCK WASHE |
| 11271460 | 1 | GASKET |
| 13516821 | 3 | STUD |
| 15541024 | 1 | SCREW |
| 15541624 | 3 | SCREW |
| 16100811 | 3 | NUT |
| 44903406 | 1 | PLUG |
| 4753563 | 1 | PLUG |
| 4858606 | 1 | WASHER |
| 500300885 | 2 | GASKET |
| 8005431 | 1 | ELBOW |
| 8009876 | 1 | GASKET |
| 8102763 | 1 | CONDUIT |

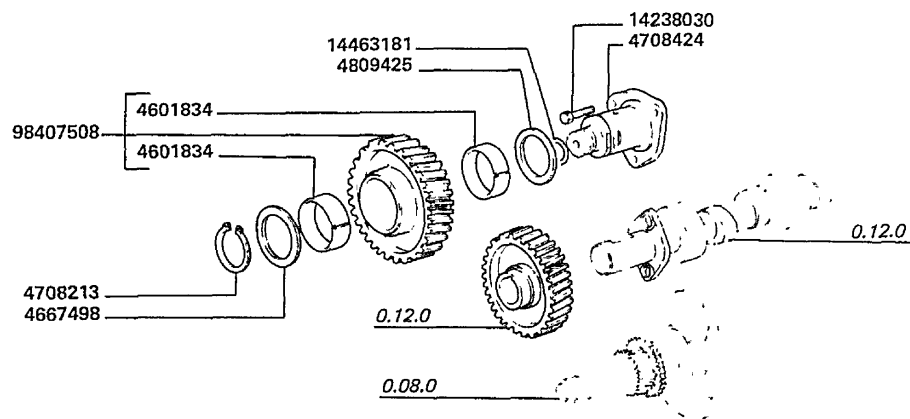
Engine



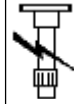
MTB "MCS - LX - 2560 LX
LXE - LS"

INTERMEDIATE DRIVE GEARS AND SHAFTS

- | | |
|----------|--------------|
| 14238030 | 3 SCREW |
| 14463181 | 1 O-RING |
| 4601834 | 2 BUSH |
| 4667498 | 1 LOCK WASHE |
| 4708213 | 1 RING |
| 4708424 | 1 PIN |
| 4809425 | 1 LOCK WASHE |
| 98407508 | 1 GEAR |

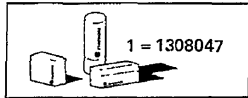
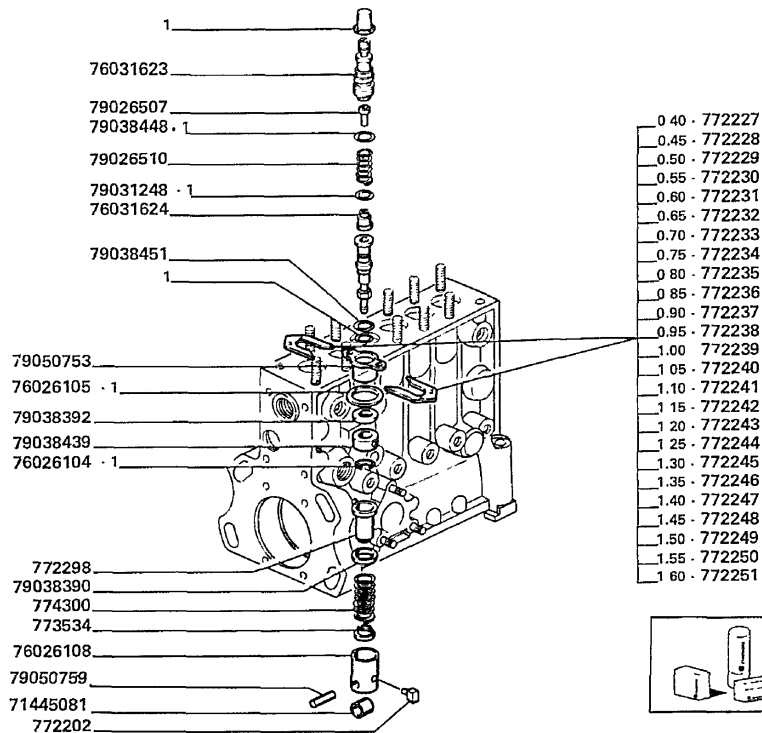


Engine



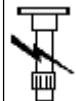
MTB "MCS - LX - 2560 LX
LXE - LS"

INJECTION PUMP (COMPONENTS) page2



- | | |
|----------|--------------|
| 1308047 | 1 KIT, MISC |
| 71445081 | 6 ROLLER |
| 76026104 | 12 RING |
| 76026105 | 6 LOCK WASHE |
| 76026108 | 6 TAPPET |
| 76031623 | 6 UNION |
| 76031624 | 6 VALVE |
| 772202 | 6 SKATE |
| 772227 | 12 SHIM |
| 772228 | 12 SHIM |
| 772230 | 12 SHIM |
| 772231 | 12 SHIM |
| 772232 | 12 SHIM |
| 772234 | 12 SHIM |
| 772236 | 12 SHIM |
| 772238 | 12 SHIM |
| 772239 | 12 SHIM |
| 772240 | 12 SHIM |
| 772241 | 12 SHIM |
| 772242 | 12 SHIM |
| 772243 | 12 SHIM |
| 772244 | 12 SHIM |
| 772245 | 12 SHIM |
| 772246 | 12 SHIM |
| 772247 | 12 SHIM |
| 772248 | 12 SHIM |
| 772249 | 12 SHIM |
| 772250 | 12 SHIM |
| 772251 | 12 SHIM |
| 772298 | 6 SLEEVE |
| 773534 | 6 WASHER |
| 774300 | 6 SPRING |
| 79026507 | 6 GUIDE |
| 79026510 | 6 SPRING |

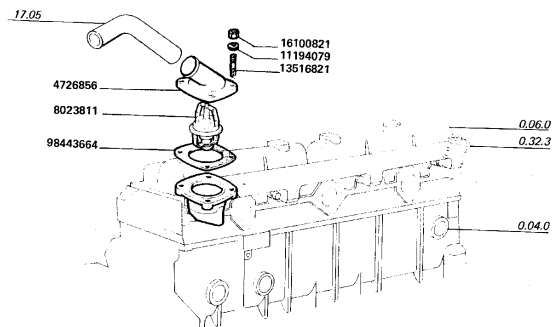
Engine



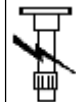
MTB "MCS - LX - 2560 LX
LXE - LS"

TEMPERATUR CONTROL

- | | | | |
|----------|--------------------|---|------------|
| 11194079 | | 4 | LOCK WASHE |
| 13516821 | | 4 | STUD |
| 16100811 | | 4 | NUT |
| 4726856 | | 1 | ELBOW |
| 8023811 | ● 000080288190 (1) | 1 | THERMOSTAT |
| 98443664 | | 1 | GASKET |



Engine

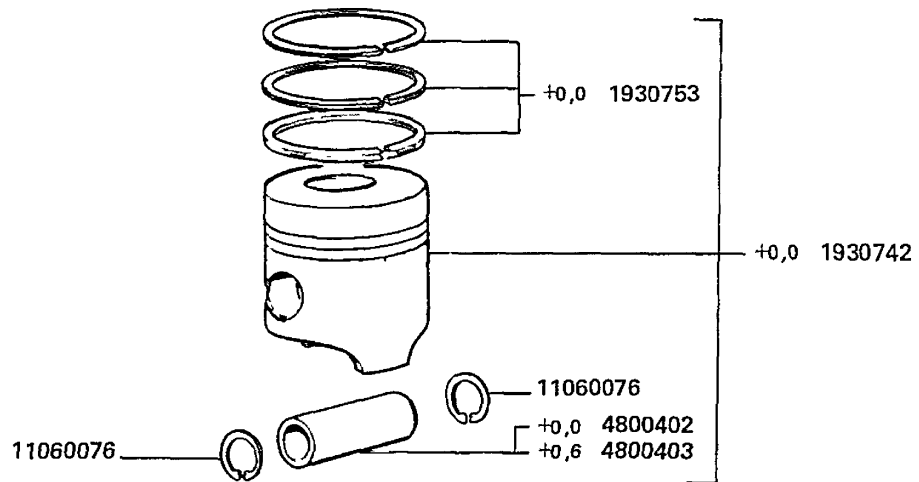


MTB "MCS - LX - 2560 LX
LXE - LS"

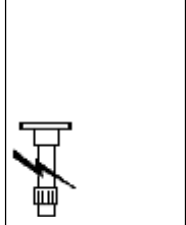
PISTONS

11060076
1930742
1930753
4800402
4800403

12 SPRING LOC
6 PISTON
6 SET OF RIN
6 PISTON PIN
6 PIN



Engine

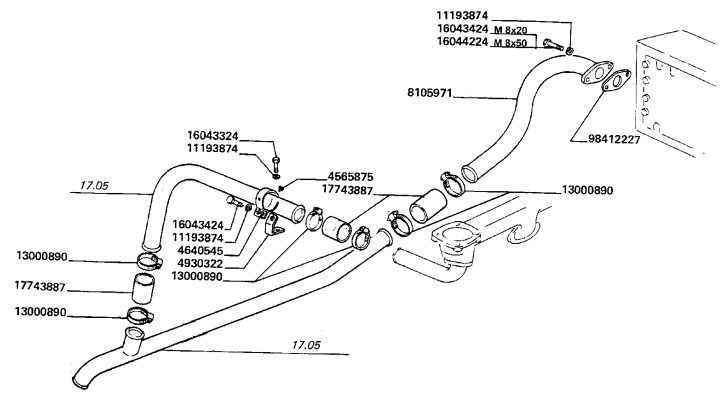


COOLING LINES page2

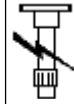
MTB "MCS - LX - 2560 LX
LXE - LS"

- 11193874
- 13000890
- 16043324
- 16043424
- 16044224
- 17743887
- 4565875
- 4640545
- 4930322
- 8105971
- 98412227

- 6 LOCK WASHE
- 12 COLLAR
- 4 SCREW
- 2 SCREW
- 1 SCREW
- 5 SLEEVE
- 3 GASKET
- 1 COLLAR
- 1 BRACKET, S
- 1 ELBOW
- 3 GASKET

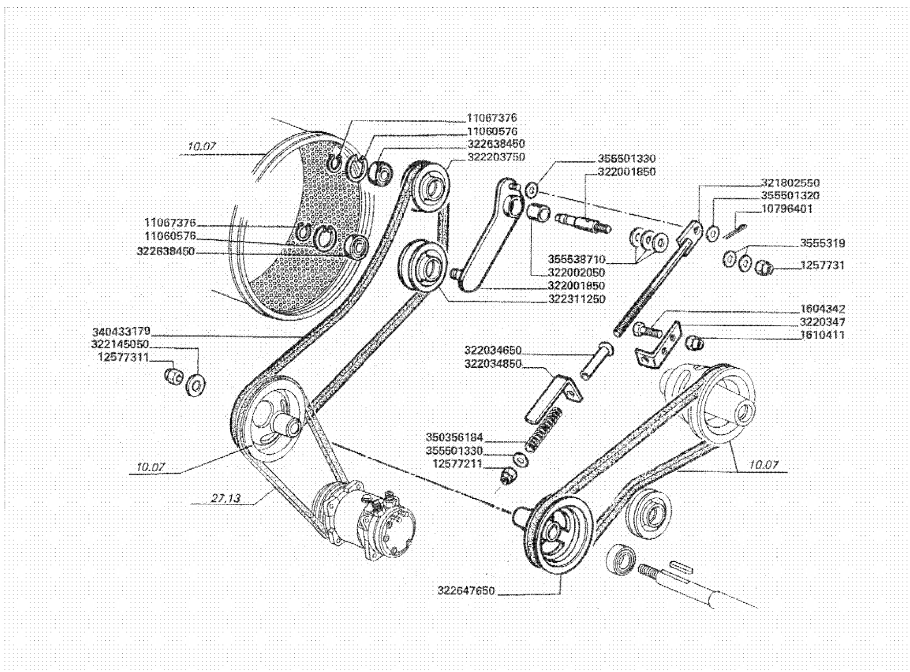


ENGINE INSTALLATION



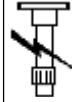
MTB "MCS - LX - 2560 LX
LXE - LS"

FILTER TRANSMISSION RADIATOR page3



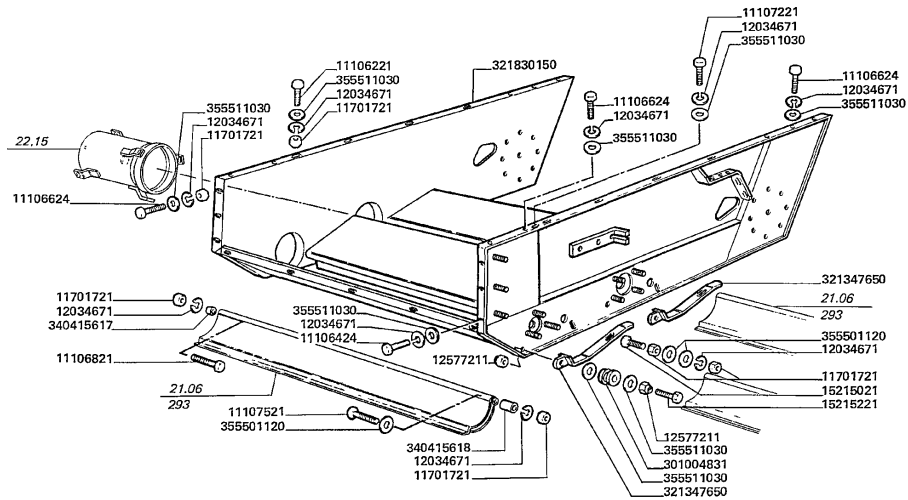
- | | |
|-----------|--------------|
| 10796401 | 2 LINCH PIN |
| 11060576 | 3 SPRING LOC |
| 11067376 | 4 SPRING LOC |
| 12577211 | 3 NUT |
| 12577311 | 3 NUT |
| 16043421 | 2 SCREW |
| 16104111 | 2 NUT |
| 321802550 | 1 TIE ROD |
| 322001850 | 1 PIN |
| 322001950 | 1 SUPPORT |
| 322002050 | 1 BEARING |
| 322034650 | 1 BUSH |
| 322034750 | 1 PLATE |
| 322034850 | 1 INDEX SPRI |
| 322145050 | 1 WASHER |
| 322145450 | 1 PULLEY |
| 322203750 | 1 TENSIONER, |
| 322311250 | 1 TENSION SL |
| 322638450 | 1 BEARING |
| 322647650 | 1 PULLEY |
| 340433179 | 1 BELT |
| 350356184 | 1 SPRING |
| 355501320 | 2 WASHER |
| 355501330 | 2 WASHER |
| 355531950 | 2 WASHER |
| 355538710 | 3 WASHER |

Guard



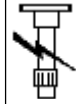
SHAKER SHOE page1

MTB "MCS - LX - 2560 LX
LXE - LS"



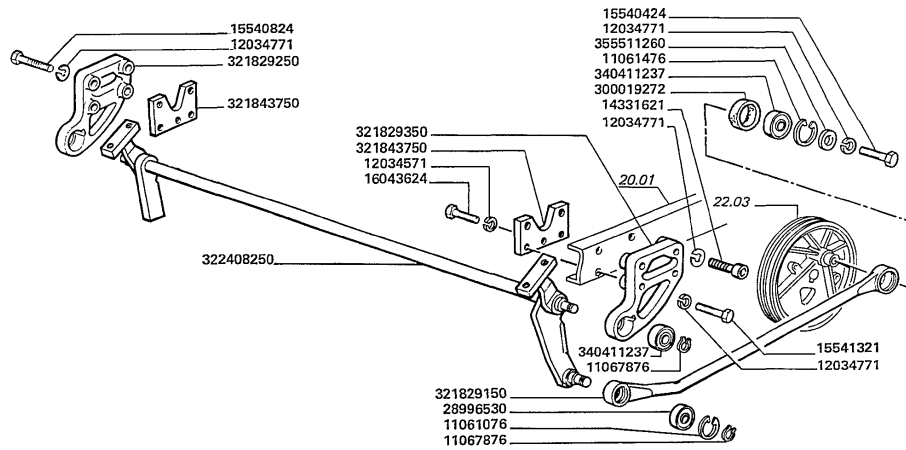
- 11106221
- 11106424
- 11106624
- 11106821
- 11107221
- 11107521
- 11701721
- 12034671
- 12577211
- 15215021
- 15215221
- 301004831
- 321347650
- 321830150
- 340415617
- 340415618
- 355501120
- 355511030
- 16 SCREW
- 8 SCREW
- 7 SCREW
- 2 SCREW
- 2 SCREW
- 2 SCREW
- 42 NUT
- 48 LOCK WASHE
- 8 NUT
- 4 SCREW
- 4 SCREW
- 4 GROMMET
- 4 LEVER
- 1 CASHIER
- 2 BUSH
- 2 SPACER
- 8 WASHER
- 38 WASHER

Guard



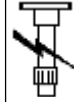
MTB "MCS - LX - 2560 LX
LXE - LS"

GRAIN PAN DRIVE



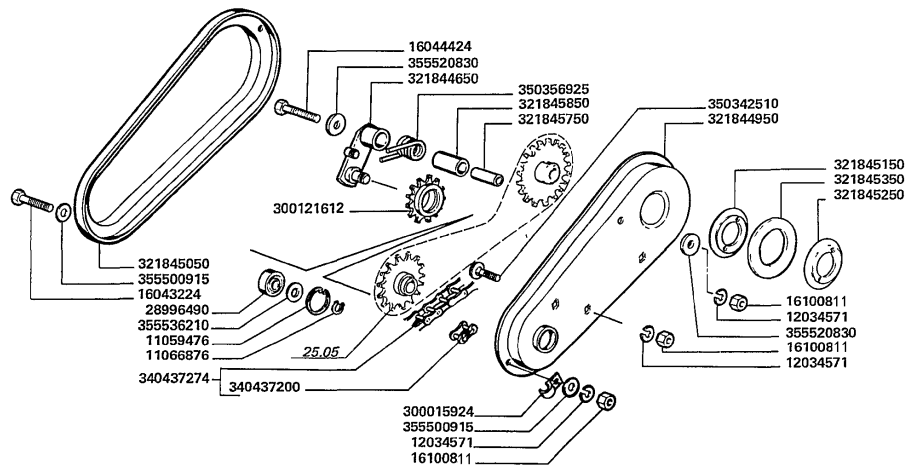
- 11061076 1 SPRING LOC
- 11061476 1 SPRING LOC
- 11067876 2 SPRING LOC
- 12034571 2 LOCK WASHE
- 12034771 19 LOCK WASHE
- 14331621 1 SCREW
- 15540424 7 SCREW
- 15540824 ● 000155408240 (4) 4 SCREW
- 15541321 3 SCREW
- 16043624 14 SCREW
- 28996530 1 BEARING
- 300019272 1 BUSH
- 321829150 1 CONROD
- 321829250 ● 003218292503 (1) 1 SUPPORT
- 321829350 1 SUPPORT
- 321843750 2 PLATE RETA
- 322408250 1 SHAFT
- 340411237 3 BEARING
- 355511260 1 WASHER

Guard



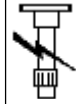
MTB "MCS - LX - 2560 LX
LXE - LS"

GRAIN ELEVATOR (NORMAL) page4



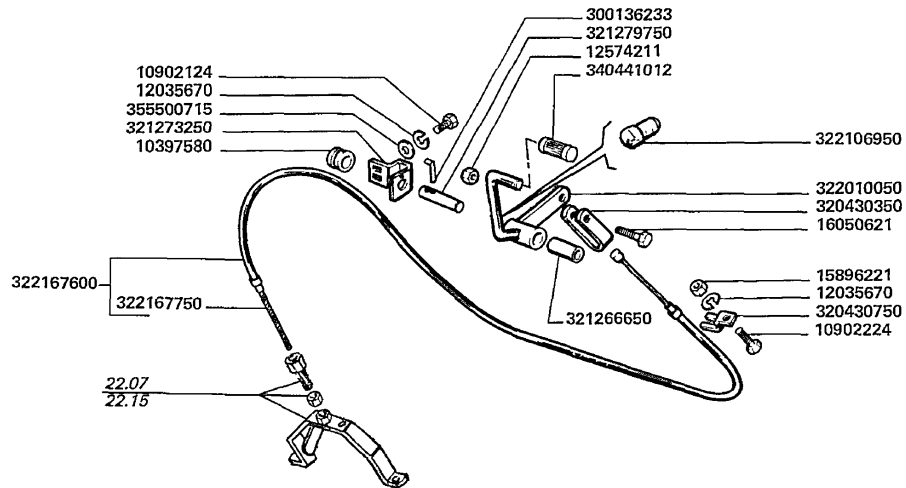
- | | | | |
|-----------|--------------------|----|------------|
| 11059476 | | 1 | SPRING LOC |
| 11066876 | | 1 | SPRING LOC |
| 12034571 | | 99 | LOCK WASHE |
| 16043224 | | 6 | SCREW |
| 16044424 | | 1 | SCREW |
| 16100811 | | 29 | NUT |
| 28996490 | | 1 | BEARING |
| 300015924 | | 1 | CLAW |
| 300121612 | ● 003232915500 (1) | 1 | CHAIN ADJU |
| 321844650 | | 1 | ARM |
| 321844950 | | 1 | SHIELD |
| 321845050 | | 1 | SHIELD |
| 321845150 | | 1 | DISC |
| 321845250 | | 1 | DISC |
| 321845350 | | 1 | GASKET |
| 321845750 | | 1 | SPACER |
| 321845850 | | 1 | SPACER |
| 340437200 | ● 003278401250 (1) | 1 | CONNECTING |
| 340437274 | | 1 | CHAIN ASA |
| 350342510 | | 3 | SCREW |
| 350356925 | | 1 | SPRING |
| 355500915 | | 26 | WASHER |
| 355520830 | | 2 | WASHER |
| 355536210 | | 3 | WASHER |

Guard



TAILINGS ELEVATOR (NORMAL) page6

MTB "MCS - LX - 2560 LX
LXE - LS"



- 10397580
- 10902124
- 10902224
- 12035670
- 12574211
- 15896221
- 16050621
- 300136233
- 320430350
- 320430750
- 321266650
- 321273250
- 321279750
- 322010050
- 322106950
- 322167600
- 322167750
- 340441012
- 355500715
- 1 RING
- 8 SCREW
- 40 SCREW
- 48 LOCK WASHE
- 1 NUT
- 44 NUT
- 1 SCREW
- 1 DOWEL
- 1 BRIDLE
- 1 BRACKET, S
- 1 BUSH
- 1 SUPPORT
- 1 PIN
- 1 PEDAL
- 1 PLUG
- 1 CABLE
- 1 ROPE
- 1 PAD,RUBBER
- 41 WASHER

CLICK HERE TO **DOWNLOAD** THE COMPLETE MANUAL

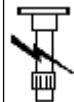
- Thank you very much for reading the preview of the manual.
- You can download the complete manual from: www.heydownloads.com by clicking the link below



- Please note: If there is no response to CLICKING the link, please download this PDF first and then click on it.

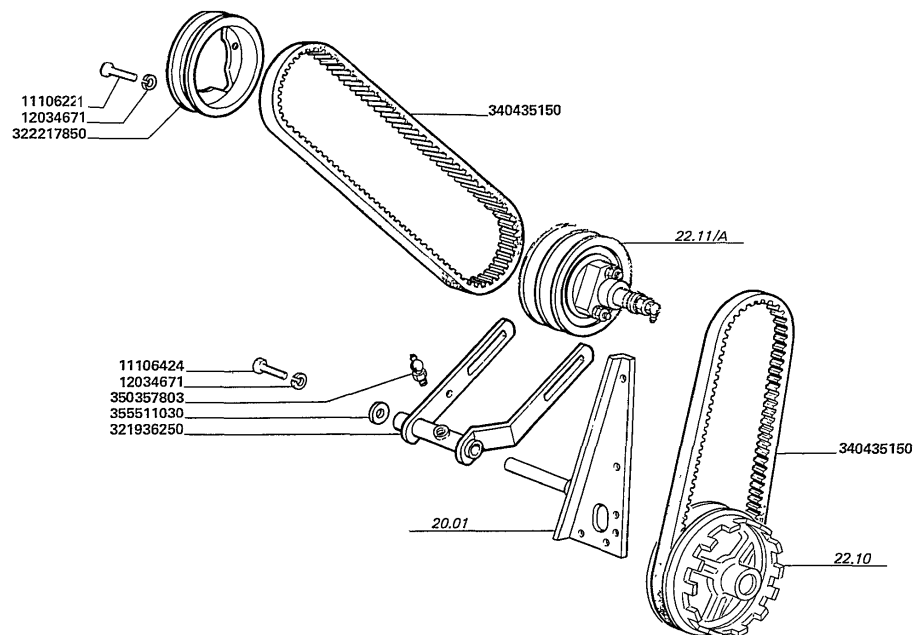
CLICK HERE TO **DOWNLOAD** THE COMPLETE MANUAL

Guard



MTB "MCS - LX - 2560 LX
LXE - LS"

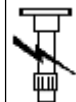
FAN VARIATOR



11106221
11106424
12034671
321936250
322217850
340435150
350357803
355511030

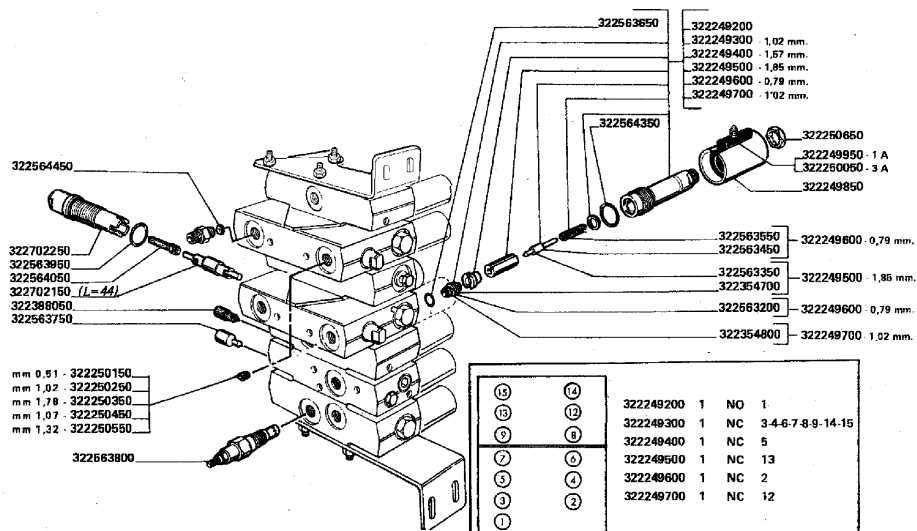
3 SCREW
1 SCREW
4 LOCK WASHE
1 YOKE
1 PULLEY
2 BELT
1 NIPPLE, LU
1 WASHER

Hydraulic system



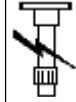
MTB "MCS - LX - 2560 LX
LXE - LS"

VALVE-CHEST ELEMENTS page 2



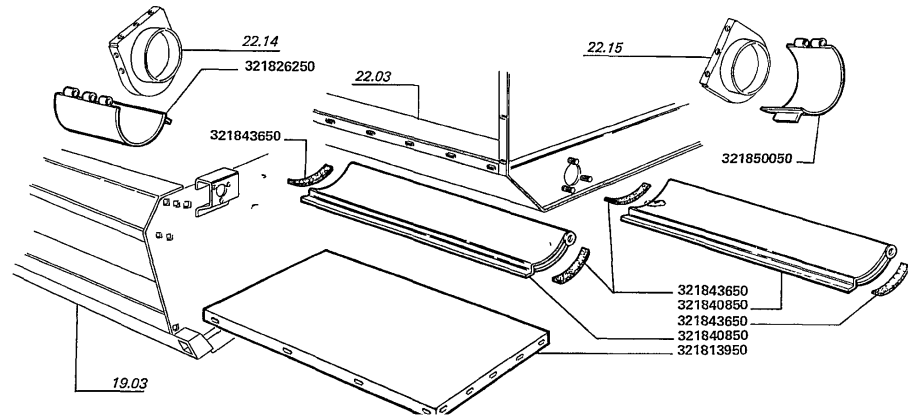
- 322249200 1 VALVE
- 322249300 1 VALVE
- 322249400 1 VALVE
- 322249500 1 VALVE
- 322249600 1 VALVE
- 322249700 1 VALVE
- 322249850 15 SHIELD
- 322249950 2 MAGNET
- 322250050 13 MAGNET
- 322250150 1 VALVE
- 322250250 1 VALVE
- 322250350 2 VALVE
- 322250550 1 VALVE
- 322250650 15 NUT
- 322354700 1 VALVE
- 322354800 1 VALVE
- 322388050 1 VALVE
- 322563200 1 VALVE
- 322563350 1 PIN
- 322563450 1 PIN
- 322563550 1 SPRING
- 322563650 1 GASKET
- 322563750 1 VALVE
- 322563800 1 VALVE
- 322563950 1 GASKET
- 322564050 1 PLUNGER
- 322564350 1 GASKET
- 322564450 1 BRAKE, PAD
- 322702150 1 PLUNGER
- 322702250 1 PROTECTION

Straw walkers



MTB "MCS - LX - 2560 LX
LXE - LS"

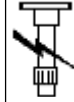
PARTS FOR NORMALS SOILS page2



321813950
321826250
321840850
321843650
321850050

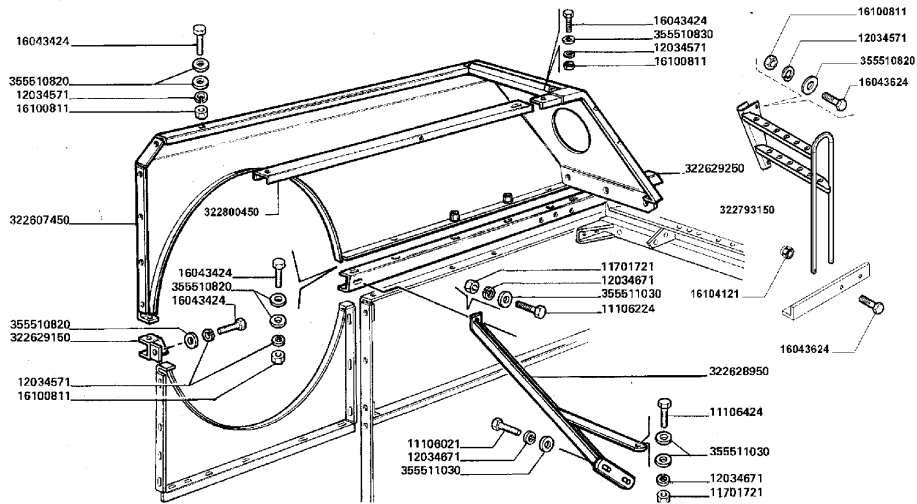
1 PLATE
1 LID
2 HATCH
4 GASKET
1 LID

Tank and fairings



MTB "MCS - LX - 2560 LX
LXE - LS"

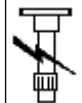
BODY, R.H. FOR ENGINE page2



- 11106021 2 SCREW
- 11106224 2 SCREW
- 11106424 1 SCREW
- 11701721 3 NUT
- 12034571 68 LOCK WASHE
- 12034671 5 LOCK WASHE
- 16043424 45 SCREW
- 16043624 2 SCREW
- 16100811 46 NUT
- 16104121 2 NUT
- 322607450 1 COVER
- 322628950 1 STRUT
- 322629150 1 PROFILE
- 322629250 1 PROFILE
- 322793150 1 LADDER
- 322800450 1 REINFORCEM
- 355510820 104 WASHER
- 355510830 1 WASHER
- 355511030 6 WASHER

Tank and fairings

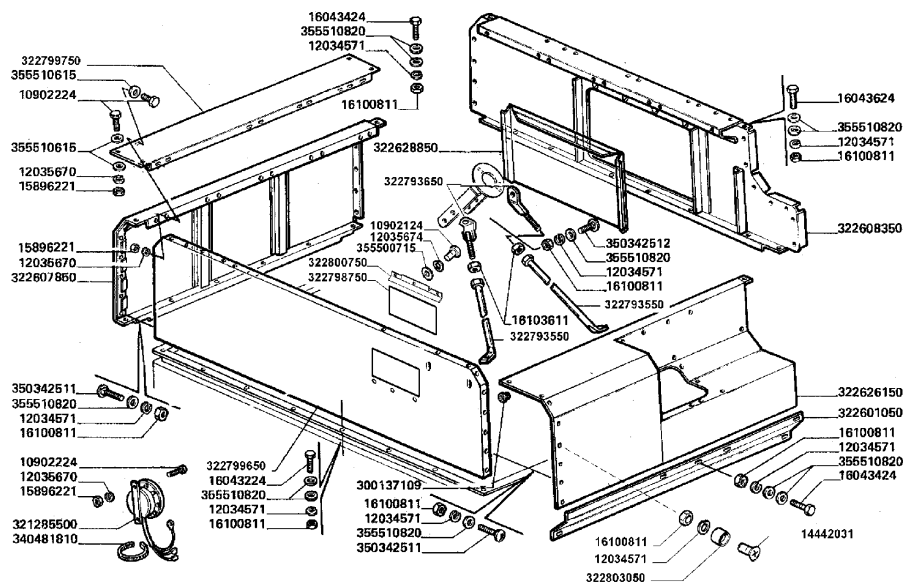
GRAIN TANK page2



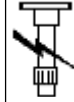
MTB "MCS - LX - 2560 LX
LXE - LS"

355500715
355510615
355510820

4 WASHER
12 WASHER
156 WASHER

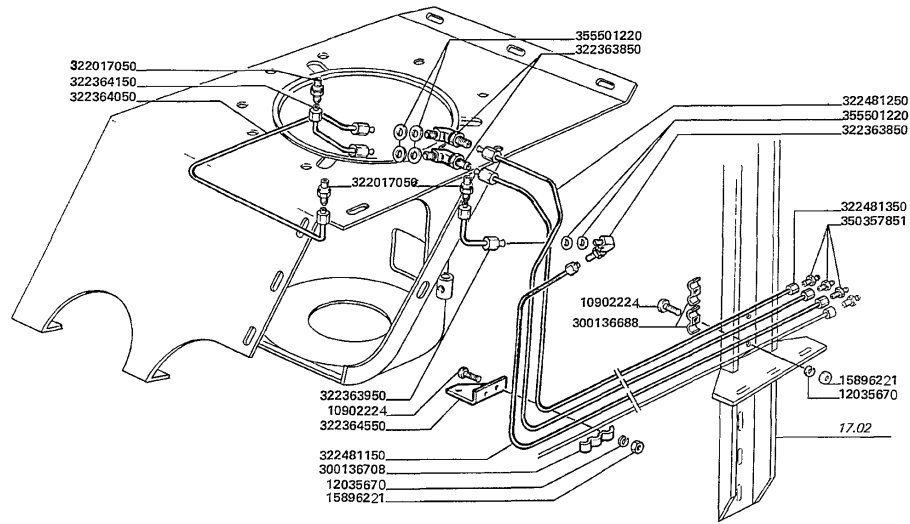


Tank and fairings



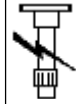
MTB "MCS - LX - 2560 LX
LXE - LS"

GRAIN TANK UNLOADING VERTICAL TUBE page5



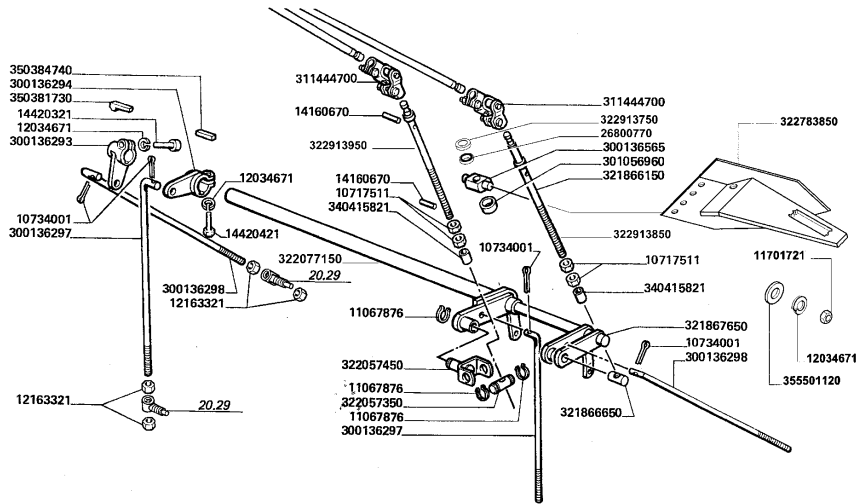
- 10902221
- 12035670 ● 000120356710 (13)
- 15896221
- 300136688
- 300136708
- 322017050
- 322363850
- 322363950
- 322364050
- 322364150
- 322364550
- 322481150
- 322481250
- 322481350
- 350357851
- 355501220 ● 003555012300 (6)
- 12 SCREW
- 13 LOCK WASHER
- 12 NUT
- 2 BRIDLE
- 1 BRIDLE
- 3 UNION
- 3 UNION
- 1 STANDPIPE
- 1 STANDPIPE
- 1 STANDPIPE
- 1 BRACKET, S
- 1 PIPE
- 1 PIPE
- 1 PIPE
- 3 NIPPLE, LU
- 6 WASHER

Thresher



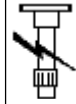
CONCAVE CONTROL DRIVE page2

MTB "MCS - LX - 2560 LX
LXE - LS"



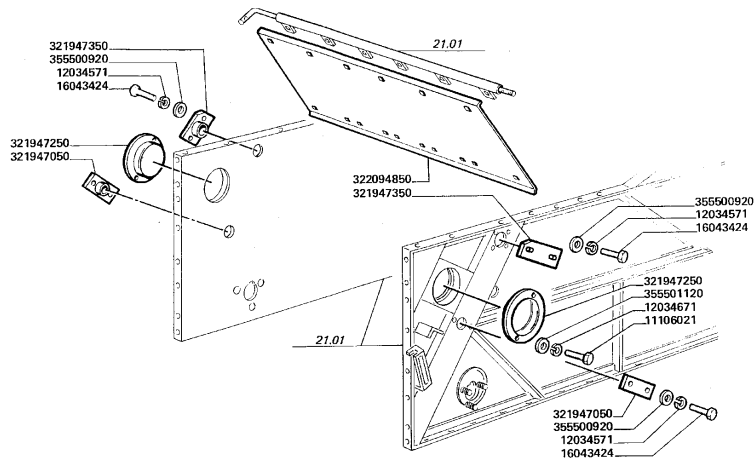
- 10717511 4 NUT
- 10734001 4 LINCH PIN
- 11067876 3 SPRING LOC
- 11701721 2 NUT
- 12034671 4 LOCK WASHE
- 12163321 8 NUT
- 14160670 4 PLUG
- 14420321 1 SCREW
- 14420421 1 SCREW
- 300132339 2 WASHER
- 300136293 1 LEVER
- 300136294 1 LEVER
- 300136297 2 TIE ROD
- 300136298 2 TIE ROD
- 300136565 2 PIN
- 301056960 2 BUSH
- 311444700 2 UNIVERSAL
- 321866150 1 ROD
- 321866250 1 ROD
- 321866650 1 PIVOT
- 321867650 1 SHAFT
- 322056850 1 PLATE RETA
- 322057350 1 PIVOT
- 322057450 1 BALL JOINT
- 322077250 1 SHAFT
- 322783850 1 SUPPORT
- 340415821 2 BUSH
- 350381730 1 KEY
- 350384740 1 KEY
- 355501120 2 WASHER

Thresher



MTB "MCS - LX - 2560 LX
LXE - LS"

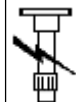
WITHOUT MULTI CROP SEPARATOR



- 11106021
- 12034571
- 12034671
- 16043424
- 321947050
- 321947250
- 321947350
- 322094850
- 355500920
- 355501120

- 4 SCREW
- 8 LOCK WASHE
- 4 LOCK WASHE
- 8 SCREW
- 2 PANEL
- 2 PANEL
- 2 PANEL
- 1 PLATE
- 8 WASHER
- 4 WASHER

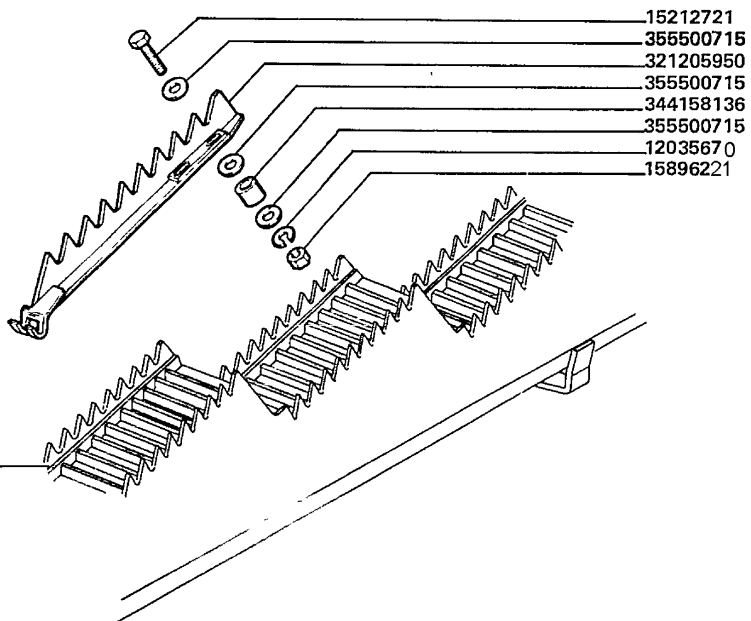
Tools



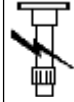
MTB "MCS - LX - 2560 LX
LXE - LS"

STRAW-LIFTER RIDER

- | | | |
|-----------|--------------------|--------------|
| 12035670 | ● 000120356710 (1) | 1 LOCK WASHE |
| 15212721 | | 1 SCREW |
| 15896221 | | 1 NUT |
| 321205950 | | 1 STRAW ELEV |
| 344158136 | | 1 BUSH |
| 355500715 | | 3 WASHER |

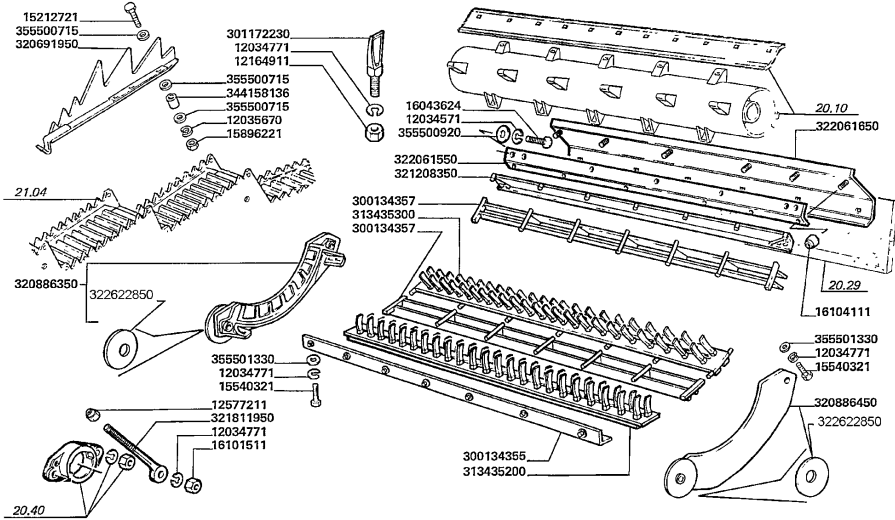


Tools



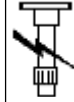
MTB "MCS - LX - 2560 LX
LXE - LS"

SPIKE TOOTH CONCAVE WITH 2 COMPLETE THRESING SECT.



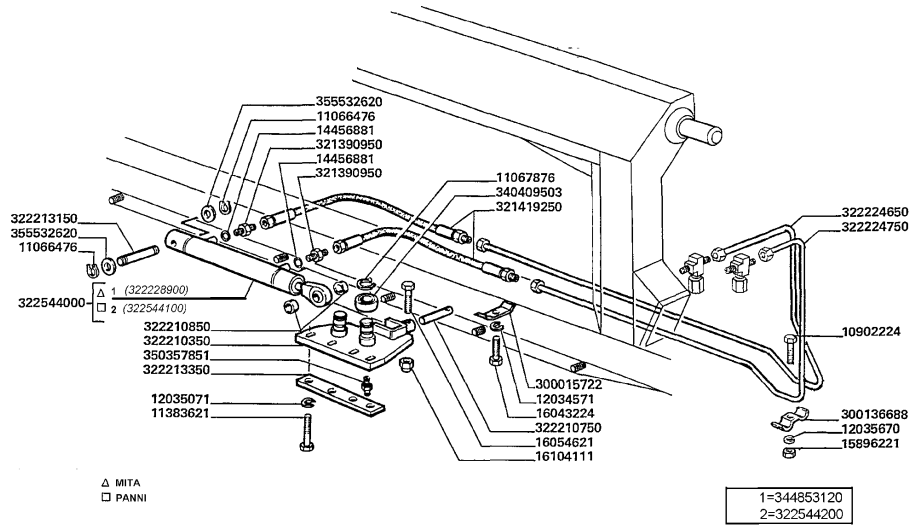
- | | | |
|-----------|---------------------|---------------|
| 12034571 | | 3 LOCK WASHE |
| 12034771 | | 11 LOCK WASHE |
| 12035670 | ● 000120356710 (12) | 12 LOCK WASHE |
| 12164911 | | 1 NUT |
| 12577211 | | 2 NUT |
| 15212721 | | 12 SCREW |
| 15540321 | | 8 SCREW |
| 15896221 | | 12 NUT |
| 16043624 | | 3 SCREW |
| 16101511 | | 2 NUT |
| 16104111 | | 6 NUT |
| 300134355 | | 1 CROSSPIECE |
| 300134357 | | 2 GRILLE |
| 301172230 | | 1 TINE |
| 313435200 | | 1 CONCAVE |
| 313435300 | | 1 CONCAVE |
| 320691950 | | 12 STRAW ELEV |
| 320886350 | | 1 BOARD |
| 320886450 | | 1 BOARD |
| 321208350 | | 1 CROSSPIECE |
| 321811950 | | 2 TIE ROD |
| 322061550 | | 1 PLATE |
| 322061650 | | 1 PROFILE |
| 322622850 | | 2 WASHER |
| 344158136 | | 12 BUSH |
| 355500715 | | 36 WASHER |
| 355500920 | | 3 WASHER |
| 355501330 | | 8 WASHER |

Tools



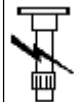
MTB "MCS - LX - 2560 LX
LXE - LS"

FRONT ELEVATOR - HEADER ORIENTATION pag.2



- | | | |
|-----------|---|------------|
| 10902224 | 5 | SCREW |
| 11066476 | 2 | SPRING LOC |
| 11067876 | 4 | SPRING LOC |
| 11383621 | 4 | SCREW |
| 12034571 | 3 | LOCK WASHE |
| 12035071 | 5 | LOCK WASHE |
| 12035670 | 9 | LOCK WASHE |
| 14456881 | 2 | O-RING |
| 15896221 | 6 | NUT |
| 16043224 | 1 | SCREW |
| 16054621 | 1 | SCREW |
| 16104111 | 3 | NUT |
| 300015722 | 1 | BRIDLE |
| 300136688 | 3 | BRIDLE |
| 321390950 | 2 | UNION |
| 321419250 | 2 | HOSE |
| 322210350 | 1 | PLATE |
| 322210750 | 1 | PIN |
| 322210850 | 2 | SPACER |
| 322213150 | 1 | DOWEL |
| 322213350 | 1 | STRAP |
| 322224650 | 1 | STANDPIPE |
| 322224750 | 1 | PIPE |
| 322228900 | 1 | JACK |
| 322544000 | 1 | JACK |
| 322544200 | 1 | KIT SEALS |
| 340409503 | 4 | GUIDE ROLL |
| 344853120 | 1 | KIT SEALS |
| 350357851 | 4 | NIPPLE, LU |
| 355532620 | 2 | WASHER |
- 000120356710 (9)
- 003225440000 (1)

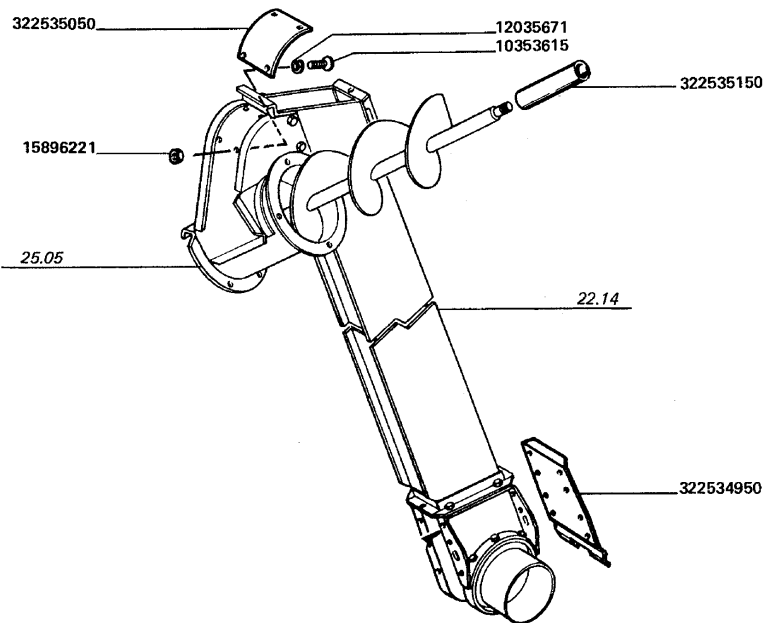
Tools



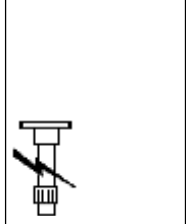
MTB "MCS - LX - 2560 LX
LXE - LS"

ANTHWEAR PARTS

- | | | |
|-----------|---|------------|
| 10353615 | 4 | SCREW |
| 12035671 | 4 | LOCK WASHE |
| 15896221 | 4 | NUT |
| 322534950 | 1 | WALL |
| 322535050 | 1 | PLATE |
| 322535150 | 1 | SHIELD |



Tools

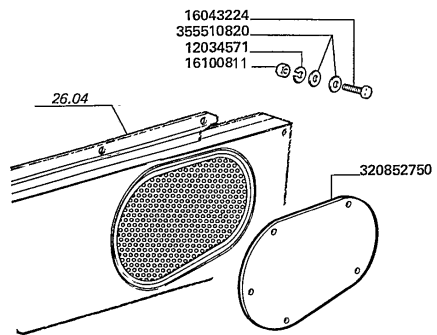
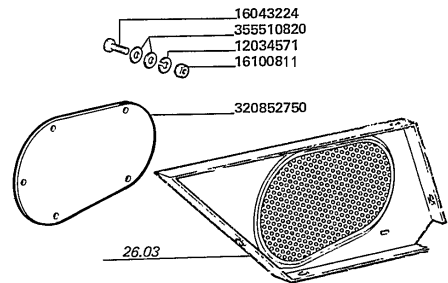


MUDDY SOIL GUARDS

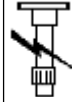
MTB "MCS - LX - 2560 LX
LXE - LS"

- 12034571
- 16043224
- 16100811
- 320852750
- 355510820

- 10 LOCK WASHE
- 10 SCREW
- 10 NUT
- 2 PANEL
- 20 WASHER

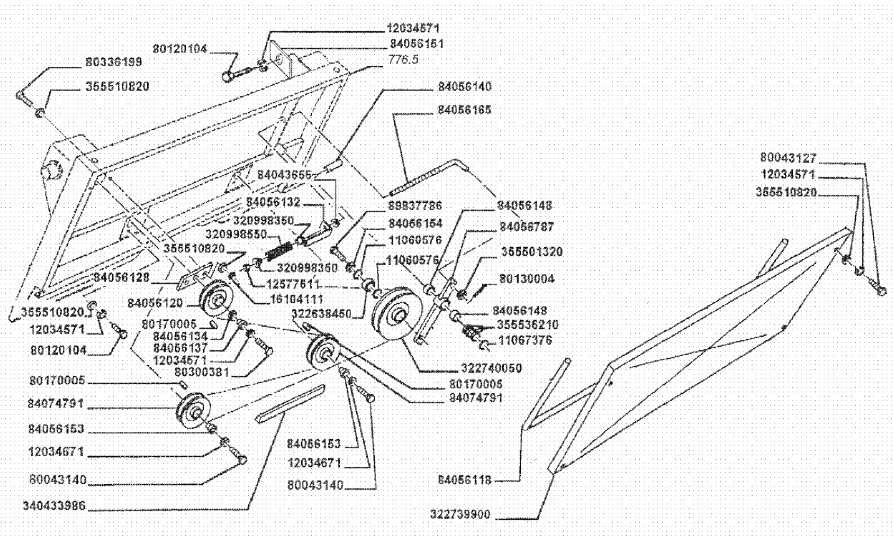


Tools



MTB "MCS - LX - 2560 LX
LXE - LS"

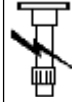
CHAFF SPREADER - DRIVE



- | | | |
|-----------|----|------------|
| 11060576 | 2 | SPRING LOC |
| 11067376 | 1 | SPRING LOC |
| 12034571 | 12 | LOCK WASHE |
| 12034671 | 2 | LOCK WASHE |
| 12577511 | 1 | NUT |
| 16104111 | 2 | NUT |
| 320998350 | 2 | WASHER |
| 320998550 | 1 | SPRING |
| 322638450 | 1 | BEARING |
| 322739900 | 1 | COVER |
| 322740050 | 1 | PULLEY |
| 340433986 | 1 | BELT |
| 355501320 | 1 | WASHER |
| 355510820 | 15 | WASHER |
| 355536210 | 3 | WASHER |
| 80043127 | 5 | SCREW |
| 80043140 | 2 | SCREW |
| 80120104 | 7 | SCREW |
| 80130004 | 1 | LINCH PIN |
| 80170005 | 3 | KEY |
| 80300381 | 1 | SCREW |
| 80336199 | 2 | 0 - MANCA |
| 84043655 | 1 | NUT |
| 84056118 | 1 | GASKET COV |
| 84056120 | 1 | PULLEY |
| 84056128 | 1 | PLATE |
| 84056132 | 1 | SUPPORT |
| 84056134 | 1 | BUSH |
| 84056137 | 1 | BUSH |
| 84056140 | 1 | BUSH |
| 84056148 | 2 | BUSH |
| 84056151 | 1 | PLATE |

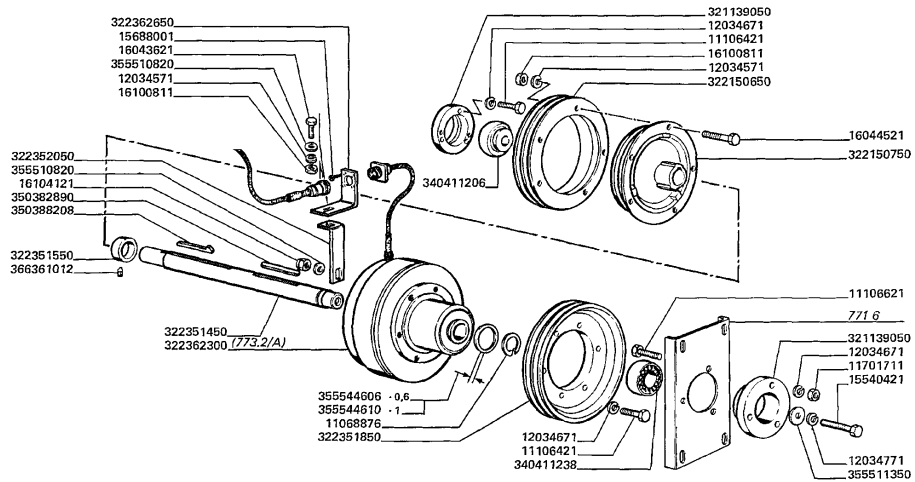
- 000111064210 (2)
- 000107346010 (1)

Tools



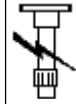
MTB "MCS - LX - 2560 LX
LXE - LS"

STRAW CHOPPER - ELECTRO-MAGNETIC CLUTCH Page 1



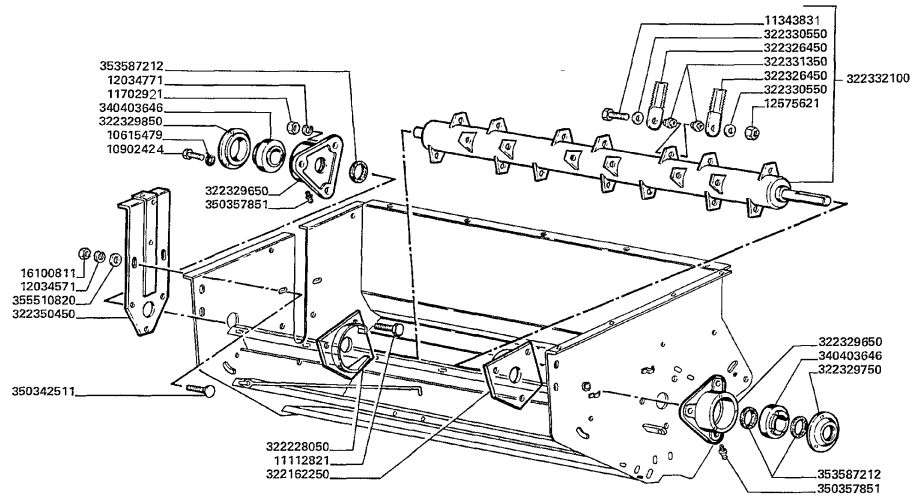
- 11068876 1 SPRING LOC
- 11106421 9 SCREW
- 11106624 3 SCREW
- 11701711 3 NUT
- 12034571 6 LOCK WASHE
- 12034671 12 LOCK WASHE
- 12034771 1 LOCK WASHE
- 15540421 1 SCREW
- 15688001 4 SCREW
- 16043624 1 SCREW
- 16044521 5 SCREW
- 16100811 6 NUT
- 16104121 1 NUT
- 321139050 2 SUPPORT
- 322150650 1 PULLEY
- 322150750 1 PULLEY
- 322351450 1 MAST
- 322351550 1 NUT, RING
- 322351850 1 PULLEY
- 322352050 1 PLATE
- 322362300 1 CLUTCH
- 322362650 1 SUPPORT
- 322363200 1 WIRE/CABLE
- 340411206 1 BEARING
- 340411238 1 BEARING
- 350382890 1 KEY
- 350388208 1 FLAT KEY
- 355510820 2 WASHER
- 355511350 1 WASHER
- 355544606 1 WASHER
- 355544610 1 WASHER
- 366361012 1 SCREW

Tools



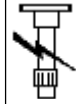
MTB "MCS - LX - 2560 LX
LXE - LS"

STRAW CHOPPER - CHOPPER DRUM



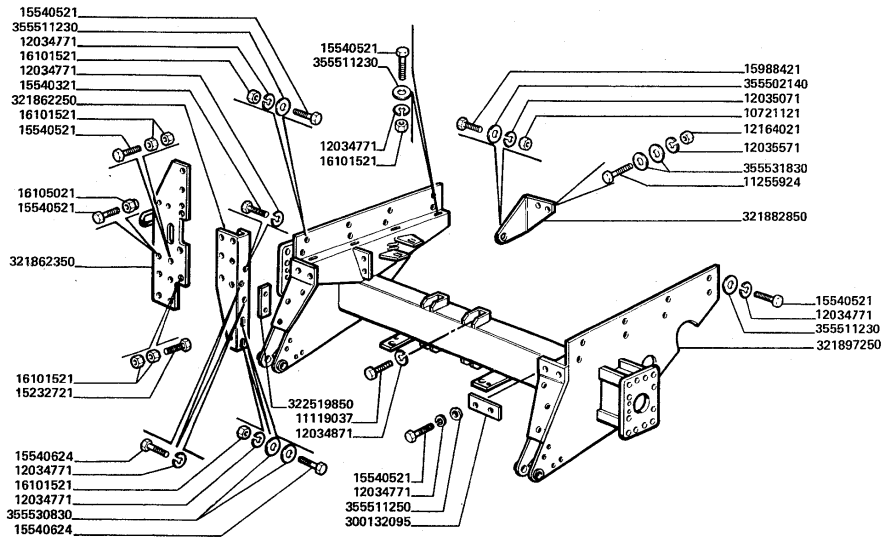
- | | |
|-----------|--------------|
| 10615479 | 6 LOCK WASHE |
| 10902424 | 6 SCREW |
| 11112821 | 6 SCREW |
| 11343831 | 26 SCREW |
| 11702921 | 6 NUT |
| 12034571 | 2 LOCK WASHE |
| 12034771 | 6 LOCK WASHE |
| 12575621 | 26 NUT |
| 16100811 | 2 NUT |
| 322162250 | 1 SUPPORT |
| 322228050 | 1 SUPPORT |
| 322326450 | 52 KNIFE |
| 322329650 | 2 SUPPORT |
| 322329750 | 1 COVER |
| 322329850 | 1 COVER |
| 322330550 | 52 WASHER |
| 322331350 | 52 BUSH |
| 322332100 | 1 ROTOR |
| 322350450 | 1 PANEL |
| 340403646 | 2 BEARING |
| 350342511 | 2 SCREW |
| 350357851 | 2 NIPPLE, LU |
| 353587212 | 3 GASKET |
| 355510820 | 2 WASHER |

Transmission



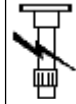
MTB "MCS - LX - 2560 LX
LXE - LS"

FRONT AXLE page1



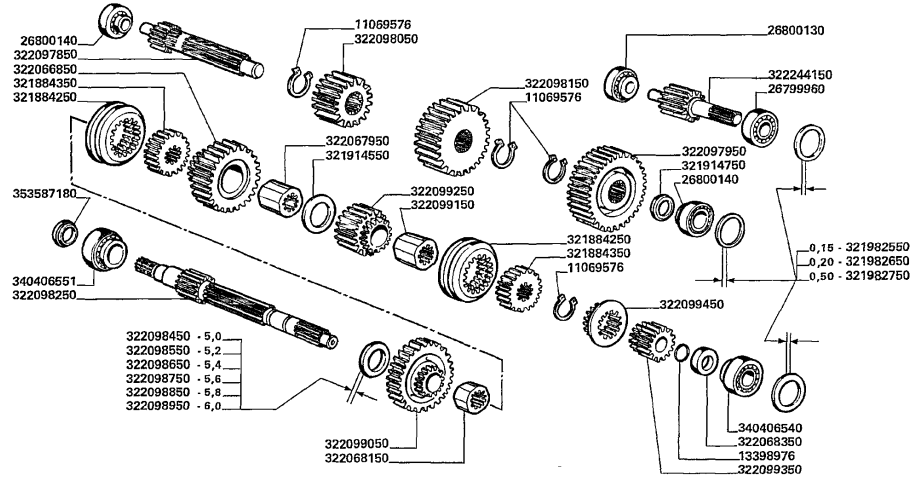
- | | | |
|-----------|---------------------|---------------|
| 10721121 | | 1 NUT |
| 11106424 | | 6 SCREW |
| 11106624 | | 10 SCREW |
| 11119037 | | 2 SCREW |
| 11255924 | | 2 SCREW |
| 11701721 | | 16 NUT |
| 12034671 | | 16 LOCK WASHE |
| 12034771 | | 51 LOCK WASHE |
| 12034871 | | 48 LOCK WASHE |
| 12035071 | | 1 LOCK WASHE |
| 12035571 | | 2 LOCK WASHE |
| 12164021 | | 2 NUT |
| 12164911 | | 20 NUT |
| 15202734 | | 2 SCREW |
| 15232721 | | 2 SCREW |
| 15540321 | | 1 SCREW |
| 15540424 | | 14 SCREW |
| 15540521 | | 39 SCREW |
| 15540624 | ● 000155406240 (4) | 4 SCREW |
| 15988421 | | 1 SCREW |
| 16101524 | ● 000161015210 (16) | 16 NUT |
| 16105021 | ● 000161050110 (2) | 2 NUT |
| 300132095 | | 7 SHIM |
| 321817750 | | 1 REINFORCEM |
| 321817850 | | 1 REINFORCEM |
| 321882750 | | 1 SUPPORT |
| 321894950 | | 1 AXLE |
| 322198750 | | 1 PLATE |
| 322198850 | | 1 PLATE |
| 355502140 | | 1 WASHER |
| 355511230 | | 40 WASHER |

Transmission



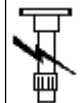
MTB "MCS - LX - 2560 LX
LXE - LS"

GEAR BOX page3



- | | | |
|-----------|---|------------|
| 11069576 | 4 | SPRING LOC |
| 13398976 | 1 | SPRING LOC |
| 26799960 | 1 | BEARING |
| 26800130 | 1 | BEARING |
| 26800140 | 2 | BEARING |
| 321884250 | 2 | SLEEVE |
| 321884350 | 2 | HUB |
| 321914550 | 1 | WASHER |
| 321914750 | 1 | WASHER |
| 321982550 | 6 | WASHER |
| 321982650 | 7 | WASHER |
| 321982750 | 6 | WASHER |
| 322066850 | 1 | GEAR |
| 322067950 | 1 | BEARING |
| 322068350 | 1 | SPACER |
| 322097850 | 1 | SHAFT |
| 322097950 | 1 | GEAR |
| 322098050 | 1 | GEAR |
| 322098150 | 1 | GEAR |
| 322098250 | 1 | SHAFT |
| 322098450 | 1 | WASHER |
| 322098550 | 1 | WASHER |
| 322098650 | 1 | WASHER |
| 322098850 | 1 | WASHER |
| 322098950 | 1 | WASHER |
| 322099050 | 1 | GEAR |
| 322099150 | 1 | BEARING |
| 322099250 | 1 | GEAR |
| 322099350 | 1 | GEAR |
| 322099450 | 1 | SLEEVE |
| 322244150 | 1 | SHAFT |
| 340406540 | 1 | BEARING |
| 340406551 | 1 | BEARING |
| 353587180 | 1 | GASKET |

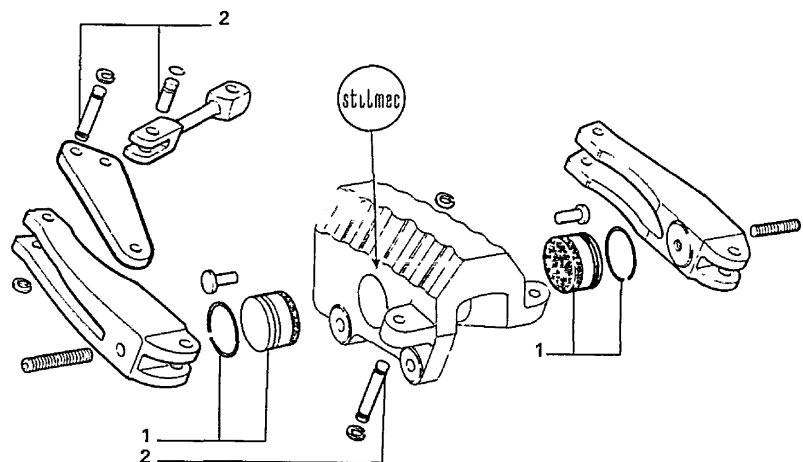
Transmission



MTB "MCS - LX - 2560 LX
LXE - LS"

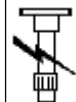
PARKING BRAKE ELEMENTS 322362200

321155400 1 SET OF PLU
321980800 ● 003224822000 (1) 1 PAD SET



321980800 = 1
321155400 = 2

Transmission

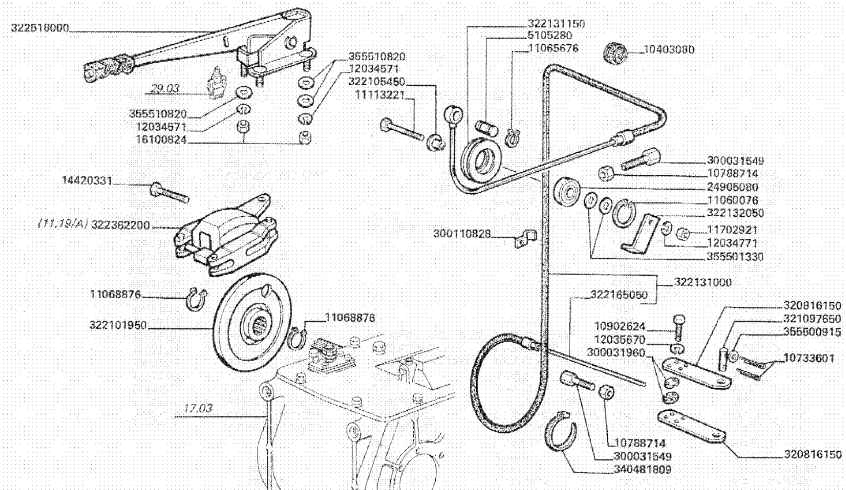


MTB "MCS - LX - 2560 LX
LXE - LS"

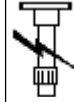
PARKING BRAKE

5105280

1 PIN

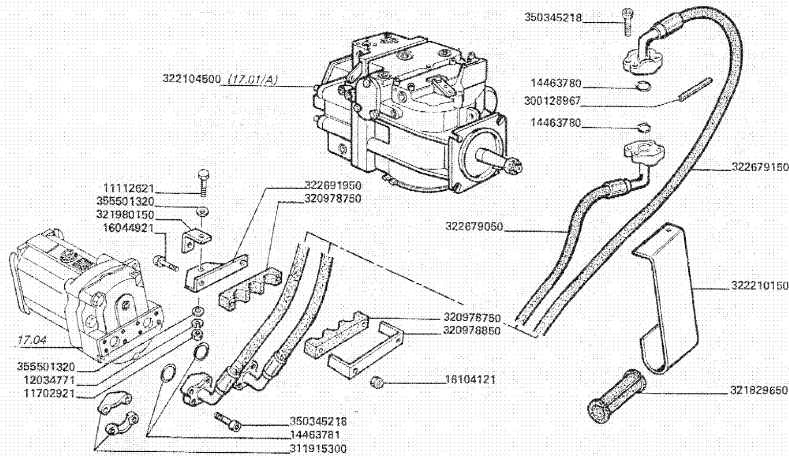


Transmission



MTB "MCS - LX - 2560 LX
LXE - LS"

HYDROSTATIC PUMP Page 1



- | | |
|-----------|--------------|
| 11112621 | 1 SCREW |
| 12034771 | 8 LOCK WASHE |
| 14463780 | 2 O-RING |
| 14463781 | 2 O-RING |
| 16044921 | 2 SCREW |
| 16104121 | 1 NUT |
| 300128967 | 1 SHIELD |
| 311915300 | 2 HALF-FLANG |
| 320978750 | 2 CONNECTOR |
| 320978850 | 1 STRAP |
| 321829650 | 1 SUPPORT |
| 321980150 | 1 BRACKET, S |
| 322104500 | 1 PUMP |
| 322210150 | 1 SUPPORT |
| 322679050 | 1 HOSE |
| 322679150 | 1 HOSE |
| 322691950 | 1 SUPPORT |
| 350345218 | 8 SCREW |
| 355501320 | 2 WASHER |

003230714000 (1)

CLICK HERE TO **DOWNLOAD** THE COMPLETE MANUAL

- Thank you very much for reading the preview of the manual.
- You can download the complete manual from: www.heydownloads.com by clicking the link below



- Please note: If there is no response to CLICKING the link, please download this PDF first and then click on it.

CLICK HERE TO **DOWNLOAD** THE COMPLETE MANUAL