

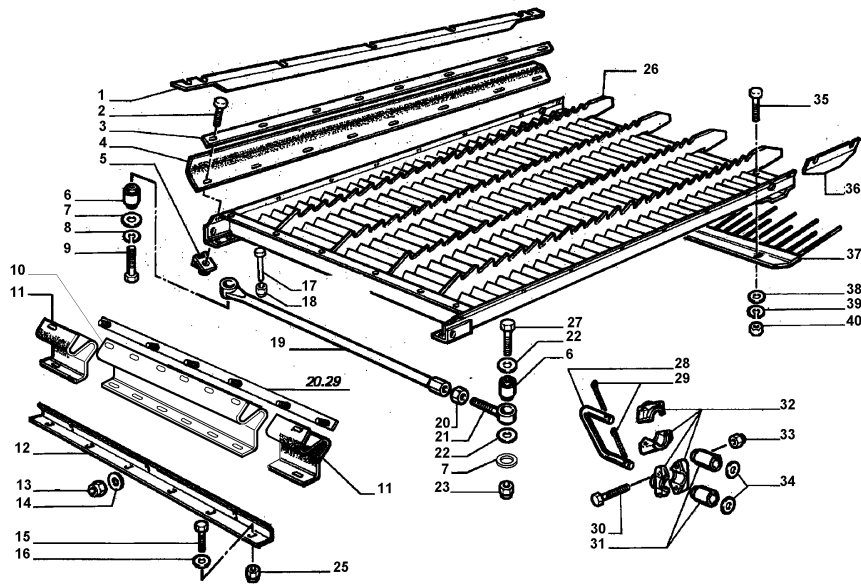
CLEANING

22.0
1

GRAIN PAN

MTB "REV" 255 REV (551700045_551700999)

22.01



- | | | | |
|----|------------------|---|------------|
| 1 | 321844050 | 1 | PLATE |
| 2 | 10977821 | 1 | SCREW |
| 3 | 321828350 | 1 | STRAP |
| 4 | 0032182825
00 | 1 | CANVAS |
| 5 | 0032212195
00 | 1 | NUT,HEX. |
| 6 | 0034044900
50 | 1 | SILENTBLOC |
| 7 | 355531830 | 1 | WASHER |
| 8 | 12035571 | 1 | LOCK WASHE |
| 9 | 850959 | 1 | SCREW |
| 10 | 0032311995
00 | 1 | GASKET |
| 11 | 0032312015
00 | 1 | GASKET |
| 12 | 323356350 | 1 | PROFILE |
| 13 | 12574111 | 1 | NUT |
| 14 | 355500615 | 1 | WASHER |
| 15 | 850019 | 1 | SCREW |
| 16 | 895-25008 | 1 | WASHER |
| 17 | 10902624 | 1 | SCREW |
| 18 | 12574211 | 1 | NUT |
| 19 | 321840050 | 1 | ARM |
| 20 | 829-1412 | 1 | NUT |
| 21 | 321839950 | 1 | HEAD |
| 22 | 340415093 | 1 | SPACER |
| 23 | 851105 | 1 | NUT |
| 24 | 0001610411
10 | 1 | NUT,HEX. |
| 25 | 323365850 | 1 | GRAIN PAN |
| 26 | 0001111662
10 | 1 | SCREW |
| 27 | 321828450 | 1 | CONROD |
| 28 | 852331 | 1 | LINCH PIN |
| 29 | 814-10070 | 1 | SCREW |
| 30 | | | |

CLICK HERE TO **DOWNLOAD** THE COMPLETE MANUAL

- Thank you very much for reading the preview of the manual.
- You can download the complete manual from: www.heydownloads.com by clicking the link below



- Please note: If there is no response to CLICKING the link, please download this PDF first and then click on it.

CLICK HERE TO **DOWNLOAD** THE COMPLETE MANUAL

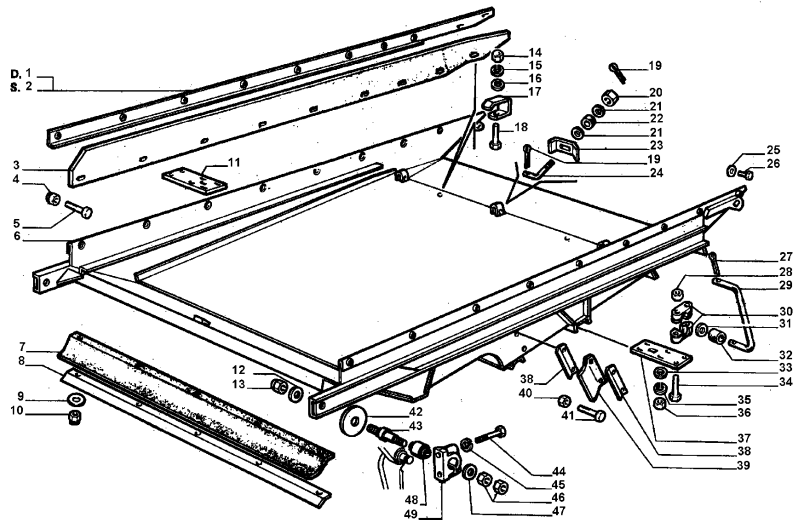
CLEANING

22.0
4_1

LOWER SHAKER SHOE page 1

MTB "REV" 255 REV (551700045_551700999)

22.04_1



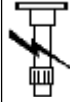
32	0032220365 00	1	BUSH,RUBBER
33	0035551082 00	1	WASHER
34	850823	1	SCREW
35	0001203457 10	1	WASHER,LOC
36	851019	1	NUT
37	322193650	1	SUPPORT
38	0032183165 00	1	REINFORCEME NT
39	321831550	1	GASKET
40	851101	1	NUT
41	06338377	1	SCREW
42	321831750	1	FLANGE
43	321937350	1	PIN
44	15542821	1	SCREW
45	0001203477 10	1	SPRING WASHER
46	12164321	1	NUT
47	355502150	1	WASHER
48	0034044902 20	1	SILENTBLOC
49	321829850	1	THIMBLE

CLEANING

22.0
7_2

TAILINGS ELEVATOR (NORMAL) page 2

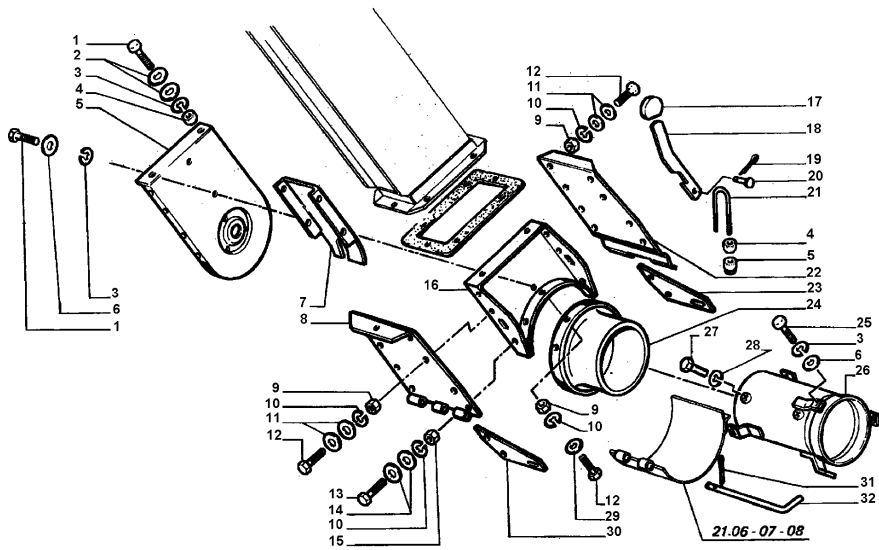
MTB "REV" 255 REV (551700045_551700999)



22.07_2

32 321848950

1 DOWEL



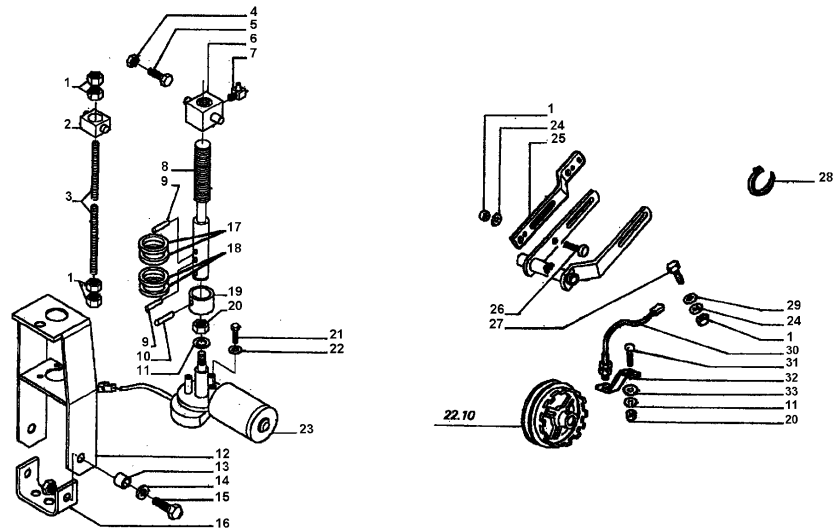
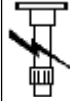
CLEANING

22.1
8

FAN SPEED VARIATOR ELECTRIC DIGITAL CONTROL

MTB "REV" 255 REV (551700045_551700999)

22.18

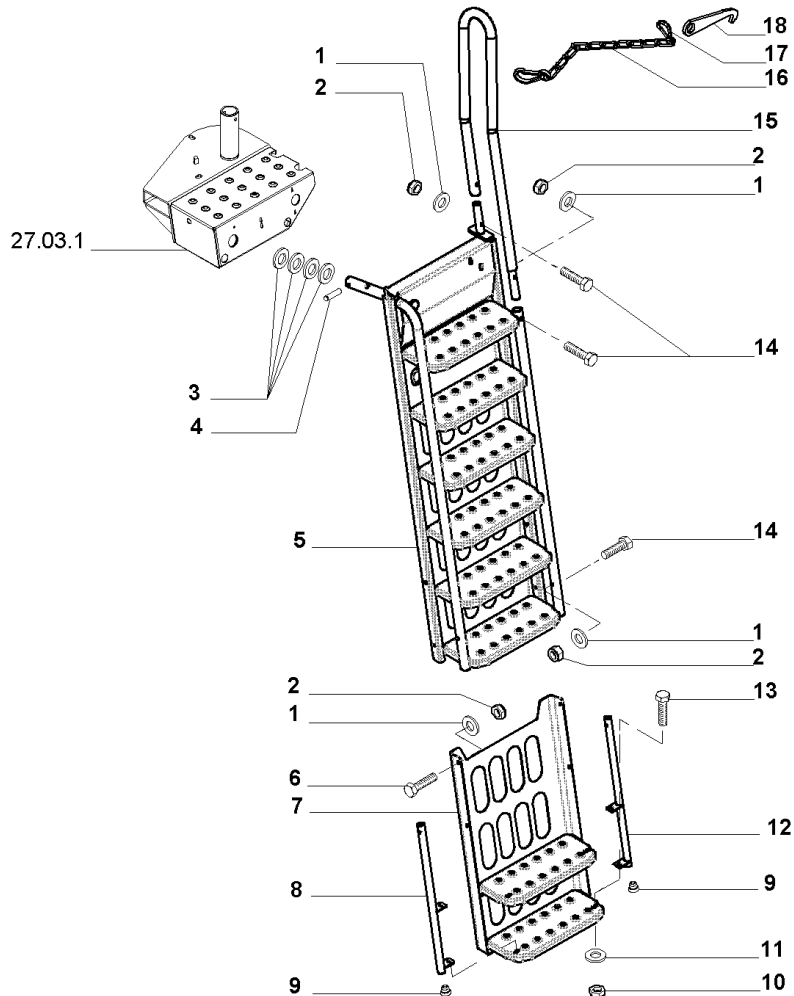
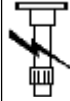


- 30 322861400
- 31 16043424
- 32 322768350
- 33 355510820

- 1 SENSOR
- 1 SCREW
- 1 SUPPORT
- 1 WASHER

MTB "REV" 255 REV (551700045_551700999)

27.03_3



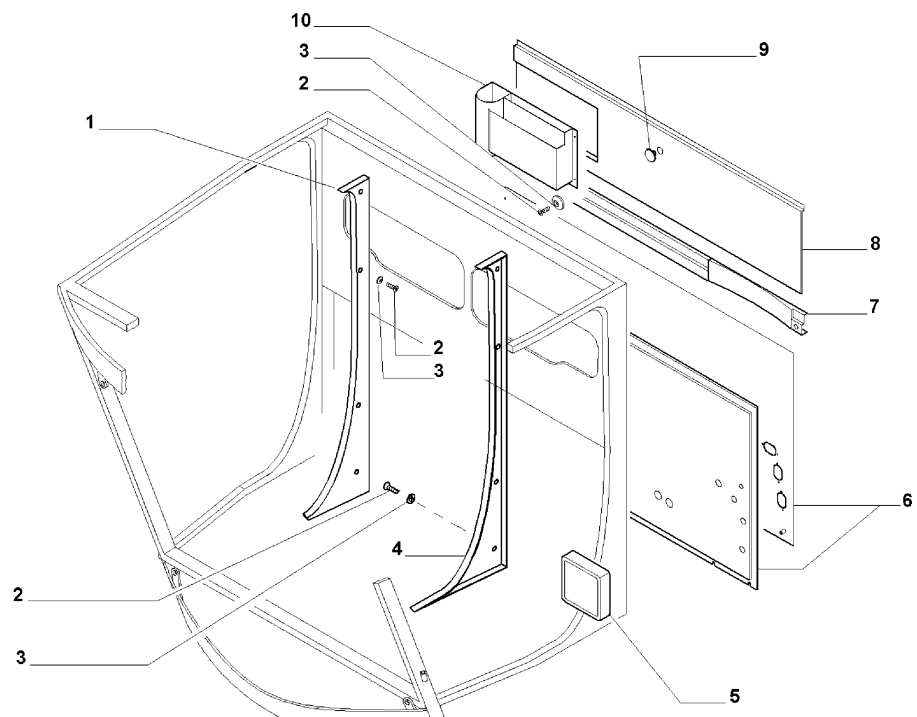
- | | | | |
|----|-------------------------------------|---|------------|
| 1 | 0035550071
50 | 4 | WASHER |
| 2 | 0001257421
10 | 4 | NUT |
| 3 | 0035553861
00 | 4 | WASHER |
| 4 | 0001460457
00 | 1 | PLUG |
| 5 | 0032317145
00 | 1 | LADDER |
| 6 | 0001090322
10 | 1 | SCREW |
| 7 | 0032318775
00 | 1 | EXTENSION |
| 8 | 0032318785
00 | 1 | SHIELD |
| 9 | 0032210695
00 | 1 | PLUG |
| 10 | 0001610411
10 | 1 | NUT |
| 11 | 0035551082
00 | 1 | WASHER |
| 12 | 0032318795
00 | 1 | SHIELD |
| 13 | 0001604342 ● 000160434210 (1)
40 | 1 | SCREW |
| 14 | 0001090322
10 | 3 | SCREW |
| 15 | 0032319435
00 | 1 | SHIELD |
| 16 | 0032341545
00 | 1 | CHAIN |
| 17 | 0032341555
00 | 2 | SPRING HOO |
| 18 | 0032341525
00 | 1 | CLEVIS |

MTB "REV" 255 REV (551700045_551700999)



27.13.4
2

- | | | | | |
|----|-----------|--------------------|---|-----------|
| 1 | 322934550 | | 1 | SOFT TRIM |
| 2 | 14441327 | ● 000144413310 (2) | 2 | REPLACE |
| 3 | 322816108 | | 2 | BOSS |
| 4 | 322934450 | | 1 | SOFT TRIM |
| 5 | 322041050 | | 1 | LID |
| 6 | 322816200 | | 1 | PANEL |
| 7 | 322816104 | | 1 | SOFT TRIM |
| 8 | 322934650 | | 1 | SOFT TRIM |
| 9 | 322816110 | | 1 | PLUG |
| 10 | 321755650 | | 1 | BAG |

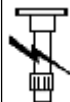


DRIV'S PLATFORM

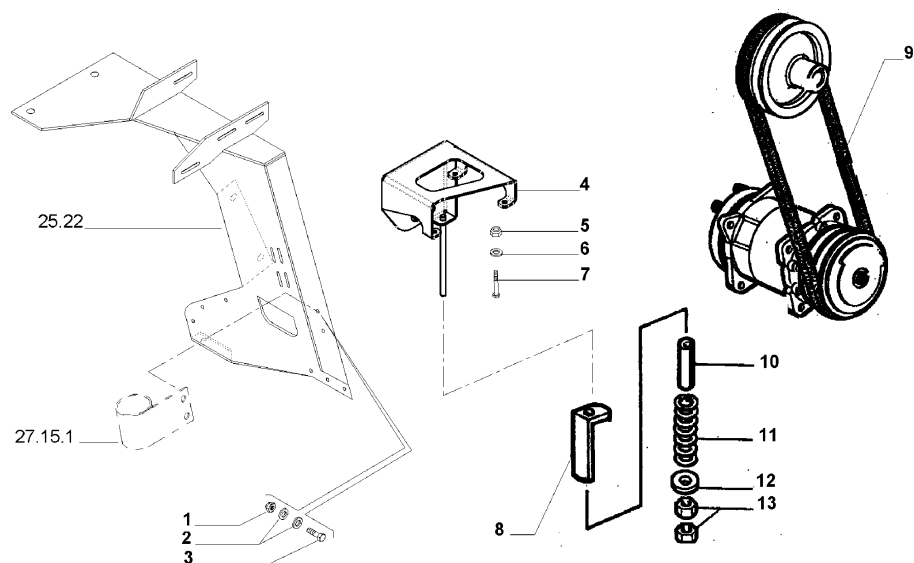
27.1
5_2

CABINE ELEMENTS page 2

MTB "REV" 255 REV (551700045_551700999)



27.15_2



- | | | | | |
|----|-----------|--------------------|---|------------|
| 1 | 12574211 | | 1 | NUT |
| 2 | 355510620 | ● 003555106150 (2) | 2 | WASHER |
| 3 | 10902621 | | 2 | SCREW |
| 4 | 323235850 | | 1 | SUPPORT |
| 5 | 16104111 | | 3 | NUT |
| 6 | 355501120 | | 3 | WASHER |
| 7 | 16045021 | ● 000160450240 (1) | 1 | SCREW |
| 8 | 322096350 | | 1 | INDEX PRES |
| 9 | 340433154 | | 1 | BELT |
| 10 | 322024350 | | 1 | SPACER |
| 11 | 350356153 | | 1 | SPRING |
| 12 | 355511050 | | 1 | WASHER |
| 13 | 11701721 | | 2 | NUT |

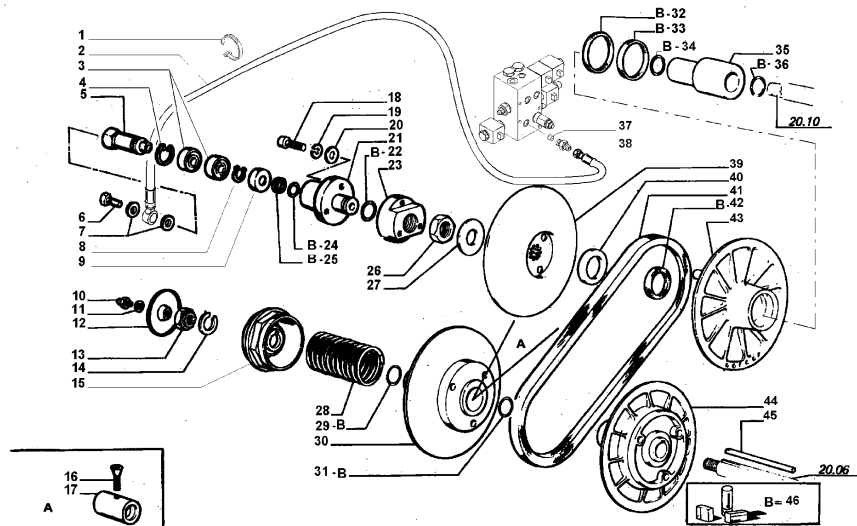
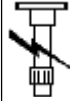
DRUM

20.0
3

DRUM VARIATOR

MTB "REV" 255 REV (551700045_551700999)

20.03



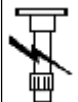
- | | | | | |
|----|-----------|--------------------|---|------------|
| 1 | 340481808 | ● 003404818090 (1) | 1 | CLAMP |
| 2 | 323161950 | | 1 | HOSE |
| 3 | 28996490 | | 1 | BEARING |
| 4 | 11059476 | | 1 | SPRING LOC |
| 5 | 322126750 | | 1 | UNION |
| 6 | 5103908 | | 1 | SCREW |
| 7 | 4858606 | | 1 | WASHER |
| 8 | 11066376 | | 1 | SPRING LOC |
| 9 | 300136161 | | 1 | WASHER |
| 10 | 350357803 | | 1 | NIPPLE, LU |
| 11 | 355530220 | | 1 | WASHER |
| 12 | 322301150 | | 1 | SHIELD |
| 13 | 322300650 | | 1 | NUT |
| 14 | 350354548 | | 1 | LOCK WASHE |
| 15 | 322300750 | | 1 | CONTAINER |
| 16 | 13806570 | | 1 | SCREW |
| 17 | 322108250 | | 1 | BEARING |
| 18 | 14305420 | | 1 | SCREW |
| 19 | 12035670 | ● 000120356710 (1) | 1 | LOCK WASHE |
| 20 | 355500715 | | 1 | WASHER |
| 21 | 321204250 | | 1 | SUPPORT |
| 22 | 350358101 | | 1 | GASKET |
| 23 | 321204350 | | 1 | NUT |
| 24 | 14452880 | | 1 | O-RING |
| 25 | 353587148 | | 1 | RING |
| 26 | 300136457 | | 1 | NUT |
| 27 | 300136411 | | 1 | LOCK WASHE |
| 28 | 353561149 | | 1 | SPRING |
| 29 | 350358719 | | 1 | GASKET |
| 30 | 322315900 | | 1 | DISC |
| 31 | 350358719 | | 1 | GASKET |
| 32 | 353587155 | | 1 | GASKET |

DRUM

20.2
2_2

SPIKE TOOTH CONCAVE page 2

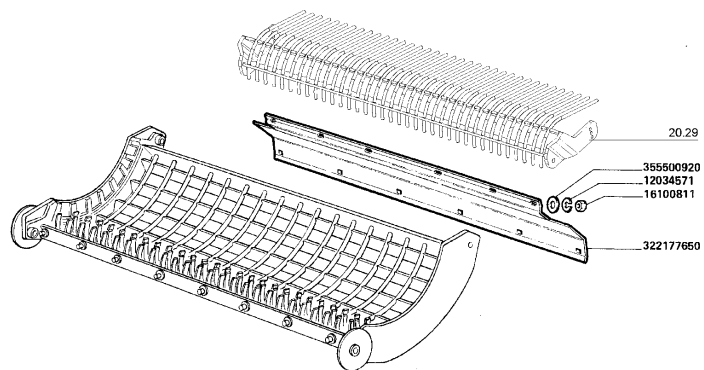
MTB "REV" 255 REV (551700045_551700999)



20.22_2

12034571
16100811
322177650
355500920

6 LOCK WASHE
6 NUT
1 SUPPORT
6 WASHER



255 REV

Contre-batteur a dents
Stiffendresch korb

CONTROBATTITORE RISO

Spike tooth concave
Concavo de d'ents

20.22

2/2 20220131132

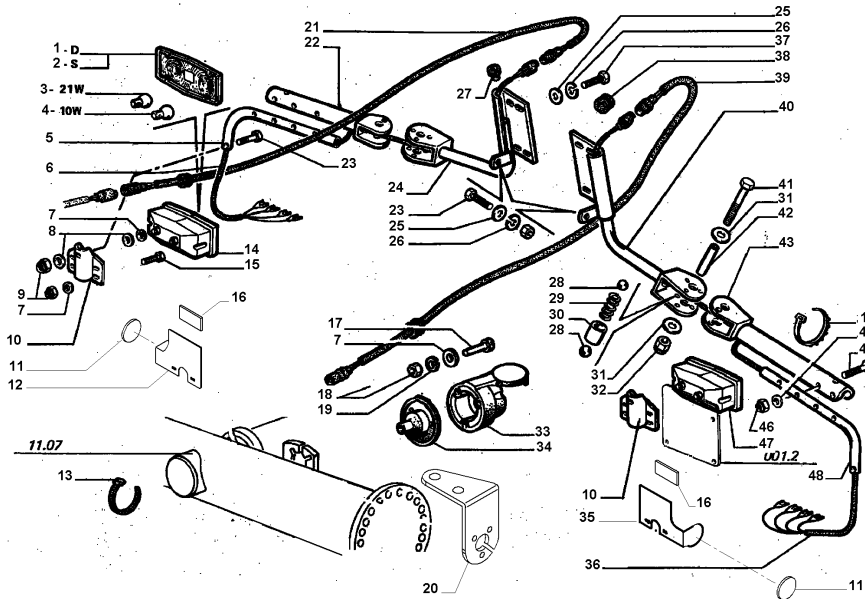
ELECTRIC SYSTEM

29.0
1_2

FRONT LIGHTING COMPONENTS page 2

MTB "REV" 255 REV (551700045_551700999)

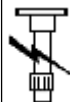
29.01_2



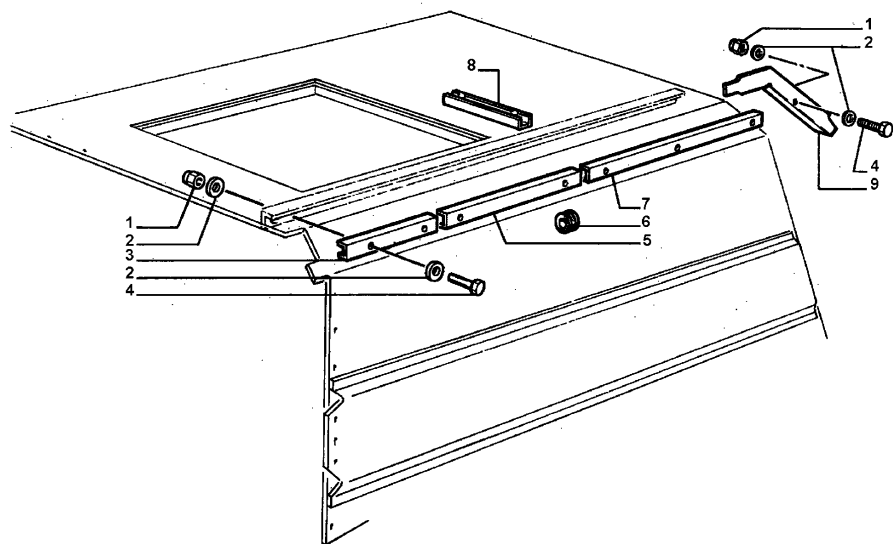
- | | | | |
|----|-----------|---|------------|
| 1 | 322191450 | 1 | LENS |
| 2 | 322191550 | 1 | LENS |
| 3 | 14148190 | 2 | LAMPADA |
| 4 | 14149590 | 2 | LAMPADA |
| 5 | 322371450 | 1 | ARM |
| 6 | 322393200 | 1 | WIRE/CABLE |
| 7 | 355500615 | 2 | WASHER |
| 8 | 355500715 | 2 | WASHER |
| 9 | 12574211 | 4 | NUT |
| 10 | 322489950 | 2 | BRACKET PL |
| 11 | 322508750 | 2 | REFLECTOR |
| 12 | 322865250 | 1 | SUPPORT |
| 13 | 340481810 | 2 | CLAMP |
| 14 | 321951000 | 1 | HEADLAMP |
| 15 | 10902424 | 2 | SCREW |
| 16 | 322689350 | 2 | REFLECTOR |
| 17 | 10390311 | 2 | SCREW |
| 18 | 15896421 | 2 | NUT |
| 19 | 12035471 | 5 | LOCK WASHE |
| 20 | 322684450 | 1 | SUPPORT |
| 21 | 322142900 | 1 | WIRE/CABLE |
| 22 | 322396850 | 1 | ARM |
| 23 | 10903424 | 2 | SCREW |
| 24 | 322885750 | 1 | ARM |
| 25 | 355500920 | 2 | WASHER |
| 26 | 12034571 | 1 | LOCK WASHE |
| 27 | 321923650 | 2 | PLUG |
| 28 | 20063520 | 1 | BALL |
| 29 | 353561151 | 1 | SPRING |
| 30 | 322065450 | 1 | BUSH |
| 31 | 355501130 | 2 | WASHER |
| 32 | 12577211 | 1 | NUT |
| 33 | 5102156 | 1 | UNIVERSAL |

● 000158964110 (2)

MTB "REV" 255 REV (551700045_551700999)



29.03_6



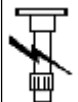
- | | | | |
|---|-----------|---|---------|
| 1 | 12574221 | 1 | NUT |
| 2 | 355500715 | 2 | WASHER |
| 3 | 321931750 | 1 | SHIELD |
| 4 | 10903021 | 1 | SCREW |
| 5 | 321931850 | 1 | SHIELD |
| 6 | 340481703 | 1 | GROMMET |
| 7 | 321931950 | 1 | SHIELD |
| 8 | 321932050 | 1 | SHIELD |
| 9 | 322329250 | 1 | SHIELD |

ELECTRIC SYSTEM

29.3
3_1

BATTERY DISENGAGING DEVICE

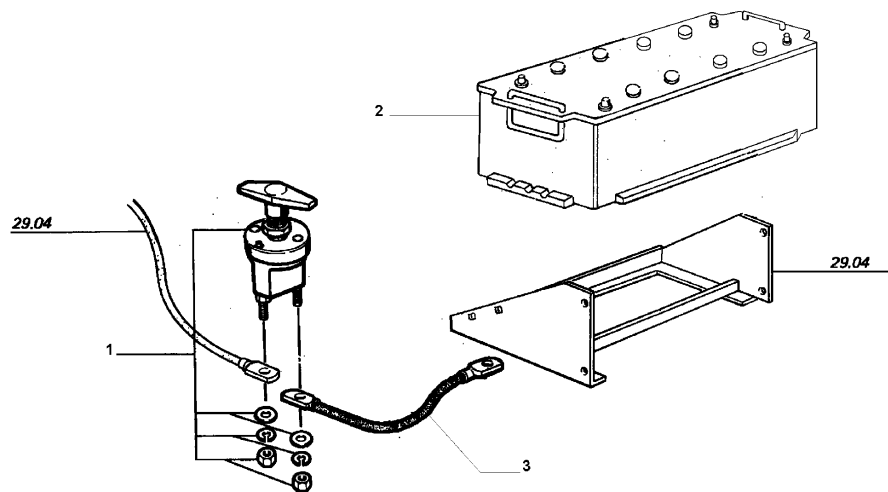
MTB "REV" 255 REV (551700045_551700999)



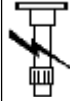
29.33_1

- 1 322153500
- 2 320445050
- 3 323061200

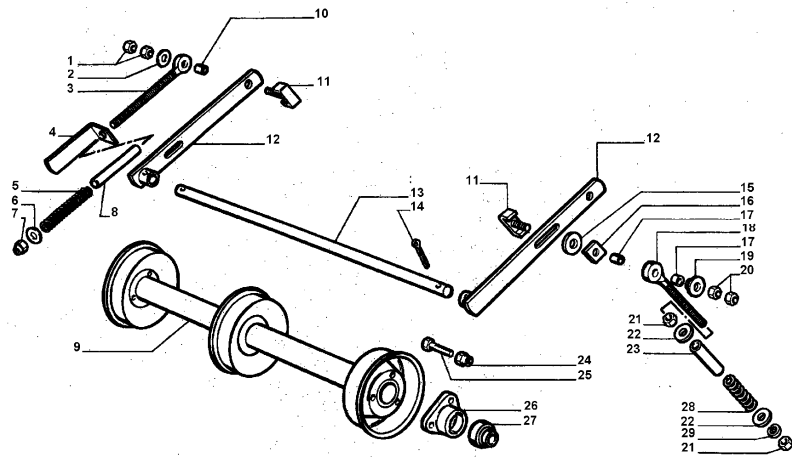
- 1 BATTERY RE
- 1 BATTERY
- 1 EARTH WIRE



MTB "REV" 255 REV (551700045_551700999)



19.03_05



- | | | | |
|----|-----------|---|------------|
| 1 | 10717511 | 1 | NUT |
| 2 | 355532830 | 1 | WASHER |
| 3 | 322170950 | 1 | TIE ROD |
| 4 | 322171650 | 1 | INDEX PRES |
| 5 | 353561156 | 1 | SPRING |
| 6 | 355511240 | 1 | WASHER |
| 7 | 12577511 | 1 | NUT |
| 8 | 322122050 | 1 | SPACER |
| 9 | 321833350 | 1 | ROLLER |
| 10 | 322171250 | 1 | BUSH |
| 11 | 321948150 | 1 | SCREW |
| 12 | 322170050 | 1 | ARM |
| 13 | 321833650 | 1 | SHAFT |
| 14 | 10797801 | 1 | LINCH PIN |
| 15 | 355502320 | 1 | WASHER |
| 16 | 322171850 | 1 | SHIM |
| 17 | 322171050 | 1 | BUSH |
| 18 | 322780150 | 1 | TIE ROD |
| 19 | 300114963 | 1 | WASHER |
| 20 | 10717511 | 1 | NUT |
| 21 | 12163321 | 1 | NUT |
| 22 | 355501740 | 1 | WASHER |
| 23 | 344158141 | 1 | BUSH |
| 24 | 12577211 | 1 | NUT |
| 25 | 11106424 | 1 | SCREW |
| 26 | 321833550 | 1 | SUPPORT |
| 27 | 340411205 | 1 | BEARING |
| 28 | 353561131 | 1 | SPRING |
| 29 | 12034871 | 1 | LOCK WASHE |

Elevator

19.0
9_1

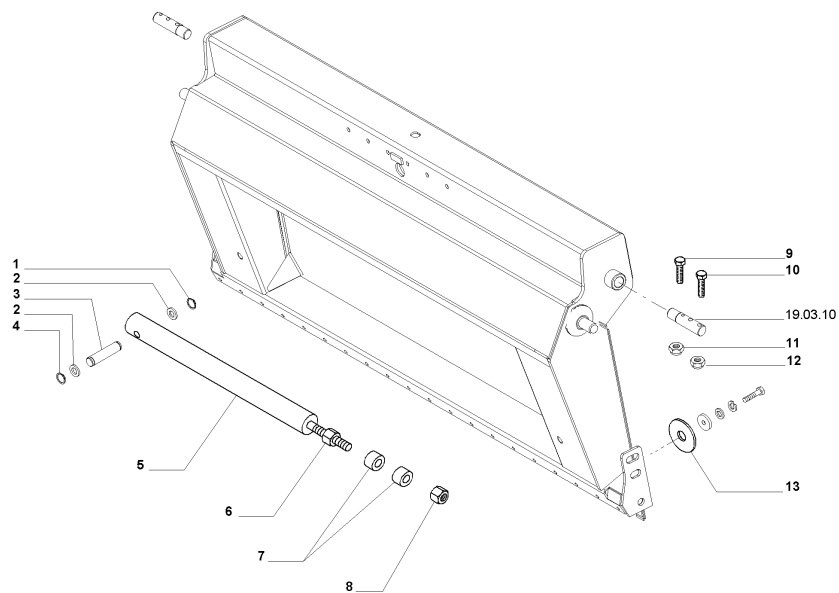
CUTTER BAR

MTB "REV" 255 REV (551700045_551700999)

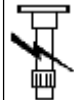


19.09_1

- | | | | |
|----|------------------|---|------------|
| 1 | 11066476 | 2 | SPRING LOC |
| 2 | 355532620 | 1 | WASHER |
| 3 | 322213150 | 1 | DOWEL |
| 4 | 0001106647
60 | | SPRING LOC |
| 5 | 322899550 | 1 | STRUT |
| 6 | 12163511 | 2 | NUT |
| 7 | 340415074 | 1 | BUSH |
| 8 | 0001216351
10 | | NUT |
| 9 | 16044521 | 1 | SCREW |
| 10 | 10903221 | 1 | SCREW |
| 11 | 16104111 | 1 | NUT |
| 12 | 12574211 | 1 | NUT |
| 13 | 323099350 | 1 | WASHER |



Engine IVECO NEF TIER 3



ACCESSORIES

MTB "REV" 255 REV (551700045_551700999)

1 504101411

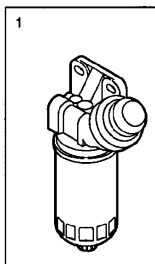
1 FILTER

ACCESSORIES

Accessori
Accessoires
Zusatzteile
Accesorios

8600.195

1/1



Engine IVECO NEF TIER 3

WATER PUMP DRIVE

MTB "REV" 255 REV (551700045_551700999)

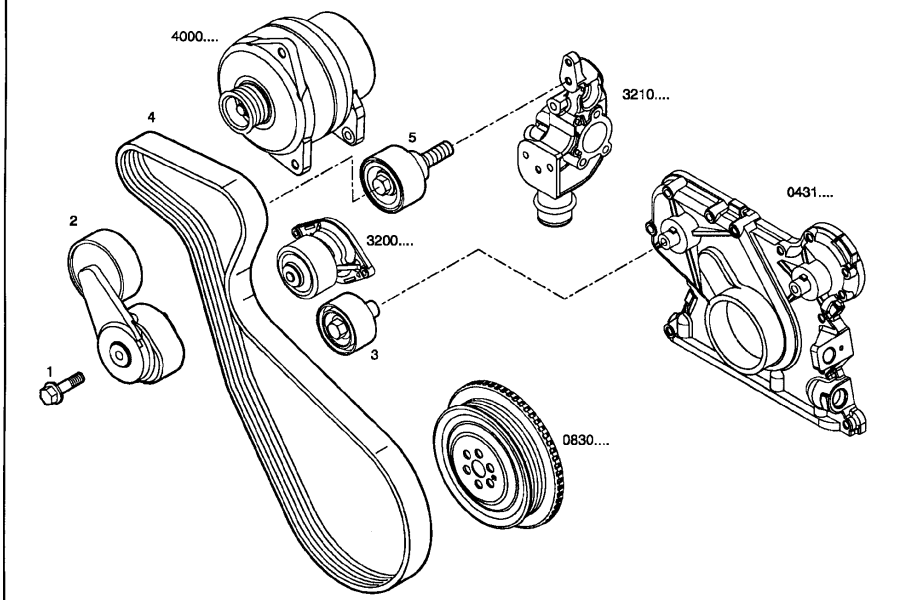


WATER PUMP DRIVE
Comando pompa acqua
Commande de pompe à eau
Wasserpumpe Antrieb
Mando bomba de agua

3400.030

1/1

- | | | | | |
|---|-----------|--------------------|---|------------|
| 1 | 16692824 | | 1 | SCREW |
| 2 | 504065874 | ● 005043157850 (1) | 1 | TENSIONER, |
| 3 | 504065878 | | 1 | PULLEY |
| 4 | 4898546 | | 1 | BELT |
| 5 | 504065877 | | 1 | PULLEY |



Engine IVECO NEF TIER 3

MTB "REV" 255 REV (551700045_551700999)



Complete Engine

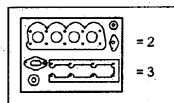
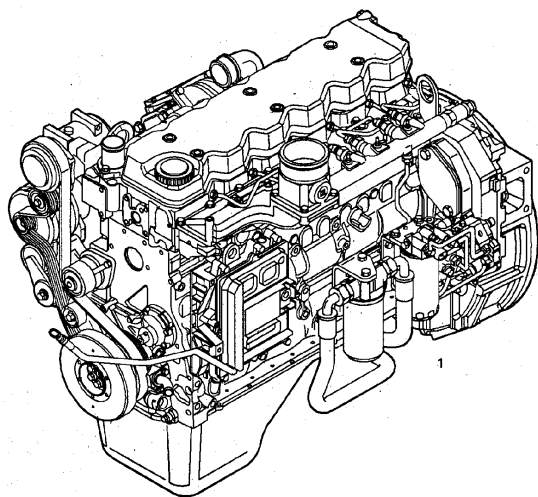
- 1 323200300
- 2 2992641
- 3 2992643

- 1 ENGINE
- 1 VALVES GRI
- 1 KIT SEALS

COMPLETE ENGINE

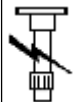
Motore completo
Moteur complet
Motor komplett
Motor completo

0100.182



Engine IVECO NEF TIER 3

TEMPERATUR CONTROL



MTB "REV" 255 REV (551700045_551700999)

5 4895118

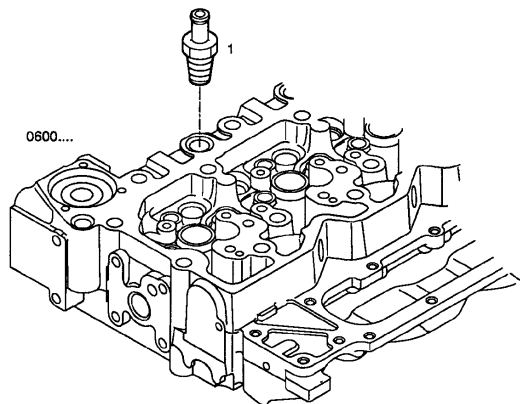
1 UNION

TEMPERATURE REGULATOR

Regolatore di temperatura
Régulateur de température
Temperaturregler
Regulador de temperatura

3260.000

1/1



Engine IVECO NEF TIER 3

Thermostat

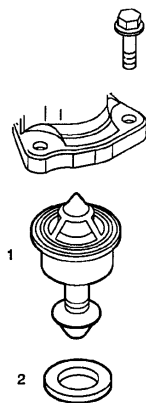
MTB "REV" 255 REV (551700045_551700999)



- 1 504031212
- 2 504030960

- 1 THERMOSTAT
- 1 GASKET

THERMOSTAT	3263.004
Termostato	
Thermostat	
Thermostat	
Termostato	1/1



Engine IVECO NEF TIER 3

MTB "REV" 255 REV (551700045_551700999)



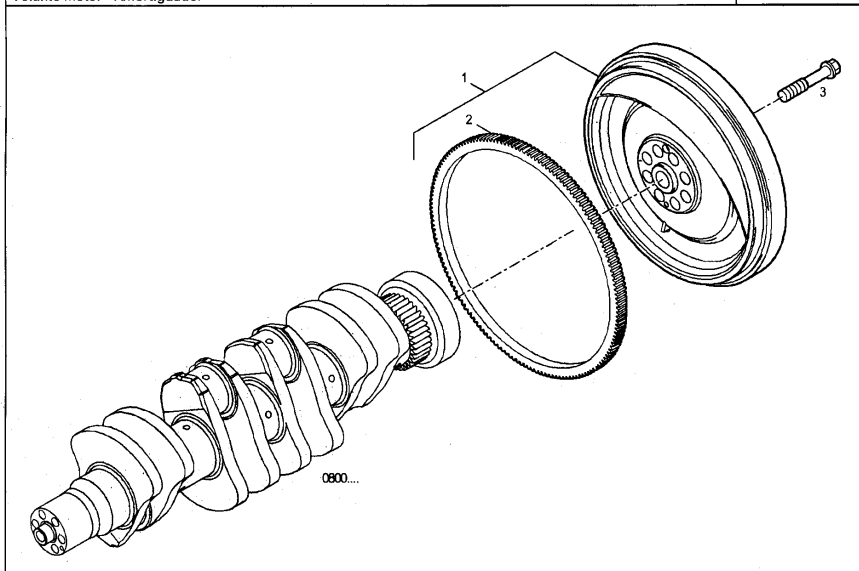
Engine flywheel - damper

- 1 504006952
- 2 500388140
- 3 4894641

- 1 FLYWHEEL
- 1 ANNULAR GE
- 8 SCREW

ENGINE FLYWHEEL - DAMPER
Volano motore - smorzatore
Volant moteur - damper
Schwungrad - Schwingungsdämpfer
Volante motor - Amortiguador

0830.217



CLICK HERE TO **DOWNLOAD** THE COMPLETE MANUAL

- Thank you very much for reading the preview of the manual.
- You can download the complete manual from: www.heydownloads.com by clicking the link below



- Please note: If there is no response to CLICKING the link, please download this PDF first and then click on it.

CLICK HERE TO **DOWNLOAD** THE COMPLETE MANUAL

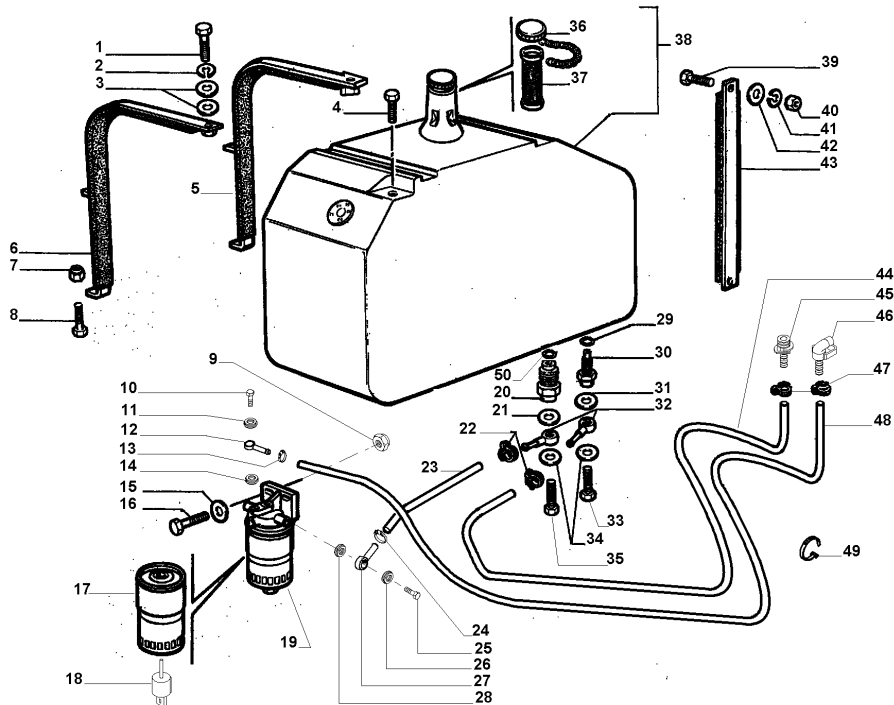
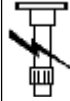
ENGINE INSTALLATION

10.0
6_1

FUEL TANK page 1

MTB "REV" 255 REV (551700045_551700999)

10.06_1



- | | | | |
|----|------------------|---|------------|
| 1 | 11106624 | 1 | SCREW |
| 2 | 12034671 | 1 | LOCK WASHE |
| 3 | 355511030 | 1 | WASHER |
| 4 | 11422324 | 1 | SCREW |
| 5 | 322140850 | 1 | COLLAR |
| 6 | 323091150 | 1 | COLLAR |
| 7 | 12577211 | 1 | NUT |
| 8 | 15214821 | 1 | SCREW |
| 9 | 16104111 | 1 | NUT |
| 10 | 10184314 | 2 | UNION |
| 11 | 322325850 | 5 | WASHER |
| 12 | 5150924 | 4 | UNION |
| 13 | 350391506 | 6 | CLAMP |
| 14 | 322325850 | 1 | WASHER |
| 15 | 355510820 | 1 | WASHER |
| 16 | 16043824 | 1 | SCREW |
| 17 | 323273250 | 1 | FILTER, EL |
| 18 | 323273350 | 1 | INDICATOR |
| 19 | 323271500 | 1 | FILTER |
| 20 | 0032344475
00 | 1 | UNION |
| 21 | 322325850 | 1 | WASHER |
| 22 | 350391506 | 1 | CLAMP |
| 23 | 323006550 | 1 | PIPE |
| 24 | 350391506 | 1 | CLAMP |
| 25 | 10184314 | 1 | UNION |
| 26 | 322325850 | 1 | WASHER |
| 27 | 321946550 | 1 | BOLT, BANJ |
| 28 | 322325850 | 1 | WASHER |
| 29 | 0001446298
10 | 1 | O-RING |
| 30 | 322154150 | 1 | UNION |
| 31 | 322325850 | 1 | WASHER |
| 32 | 5150924 | 1 | UNION |
| 33 | 10184314 | 1 | UNION |

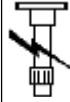
● 000114223240 (1)

ENGINE INSTALLATION

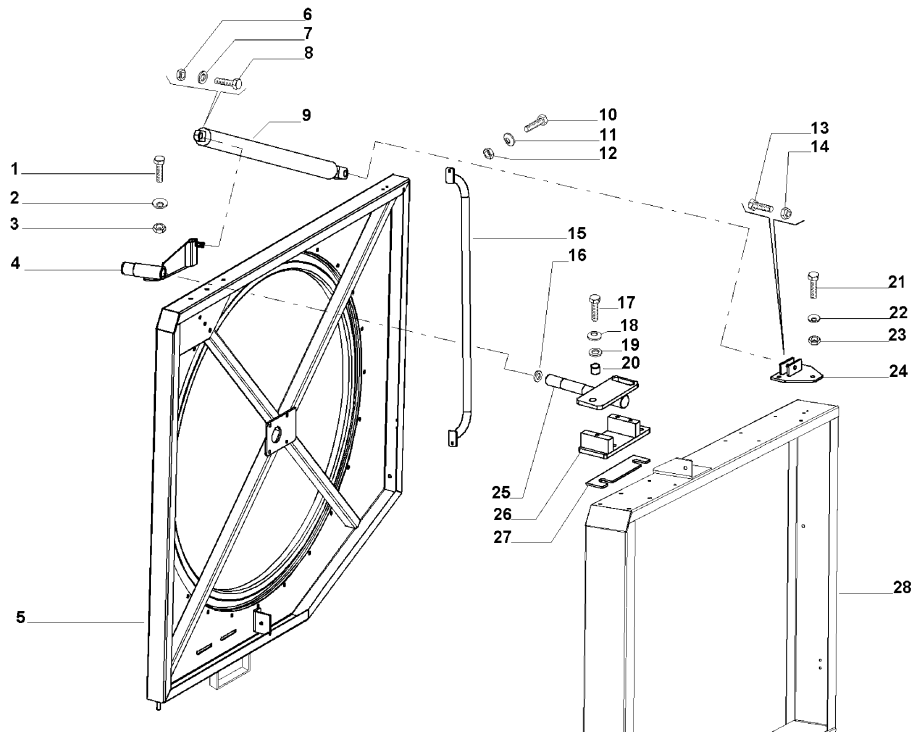
10.0
7_08

RADIATOR FILTER page 8

MTB "REV" 255 REV (551700045_551700999)



10.07_08



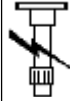
- | | | | |
|----|-----------|---|---------|
| 1 | 16043221 | 1 | SCREW |
| 2 | 322358 | 1 | WASHER |
| 3 | 16100811 | 1 | NUT |
| 4 | 322938750 | 1 | HINGE |
| 5 | 322938550 | 1 | DOOR |
| 6 | 11701711 | 1 | NUT |
| 7 | 355501120 | 1 | WASHER |
| 8 | 15214821 | 1 | SCREW |
| 9 | 322883050 | 1 | SPRING |
| 10 | 16043221 | 1 | SCREW |
| 11 | 322358 | 1 | WASHER |
| 12 | 16100811 | 1 | NUT |
| 13 | 11107221 | 1 | SCREW |
| 14 | 12577211 | 1 | NUT |
| 15 | 322883150 | 1 | HANDLE |
| 16 | 355536430 | 1 | WASHER |
| 17 | 11106421 | 1 | SCREW |
| 18 | 140045 | 1 | WASHER |
| 19 | 355511040 | 1 | WASHER |
| 20 | 340415574 | 1 | BUSH |
| 21 | 16043221 | 1 | SCREW |
| 22 | 322358 | 1 | WASHER |
| 23 | 16100811 | 1 | NUT |
| 24 | 322957550 | 1 | SUPPORT |
| 25 | 323006750 | 1 | SUPPORT |
| 26 | 323006650 | 1 | PLATE |
| 27 | 323006850 | 1 | SHIM |
| 28 | 323102100 | 1 | FRAME |

GRAIN TANK AND FAIRINGS

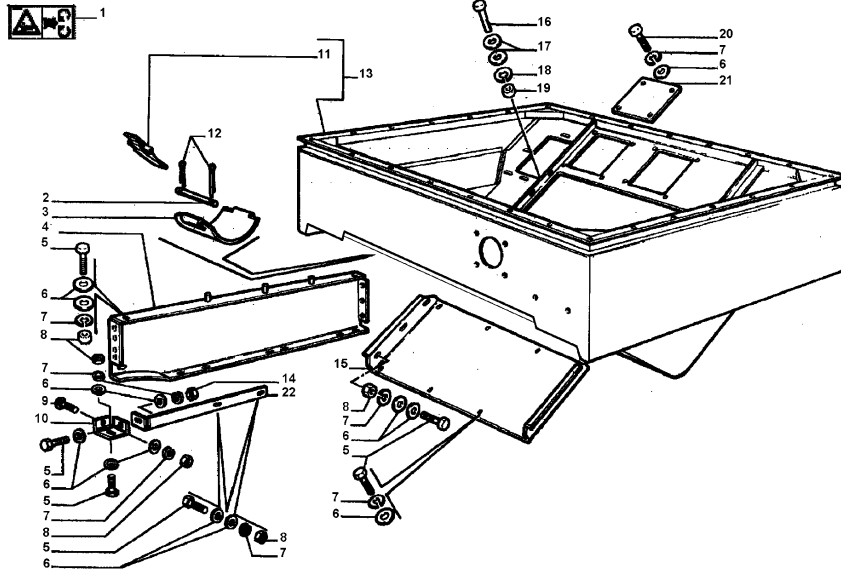
25.0
1_1

GRAIN TANK page 1

MTB "REV" 255 REV (551700045_551700999)



25.01_1



- | | | | |
|----|-----------|---|------------|
| 1 | 341000033 | 1 | DECAL |
| 2 | 320547450 | 1 | DOWEL |
| 3 | 320547350 | 1 | HATCH |
| 4 | 322802650 | 1 | PANEL |
| 5 | 16043424 | 1 | SCREW |
| 6 | 355510820 | 1 | WASHER |
| 7 | 12034571 | 1 | LOCK WASHE |
| 8 | 16100811 | 1 | NUT |
| 9 | 350342511 | 1 | SCREW |
| 10 | 322320150 | 1 | ANGULAR |
| 11 | 300134779 | 1 | HITCH |
| 12 | 10734401 | 1 | LINCH PIN |
| 13 | 323085850 | 1 | GRAIN TANK |
| 14 | 16100811 | 1 | NUT |
| 15 | 321808150 | 1 | HATCH |
| 16 | 11106424 | 1 | SCREW |
| 17 | 355511030 | 1 | WASHER |
| 18 | 12034671 | 1 | LOCK WASHE |
| 19 | 11701721 | 1 | NUT |
| 20 | 16043224 | 1 | SCREW |
| 21 | 322152050 | 1 | PANEL |
| 22 | 322314650 | 1 | ANGULAR |

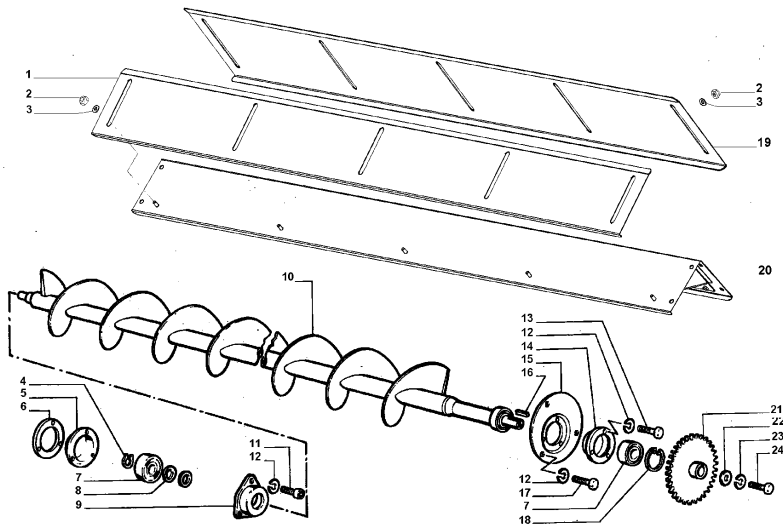
GRAIN TANK AND FAIRINGS

25.0
6_1

GRAIN TANK UNLOADING AUGER

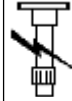
MTB "REV" 255 REV (551700045_551700999)

25.06_1

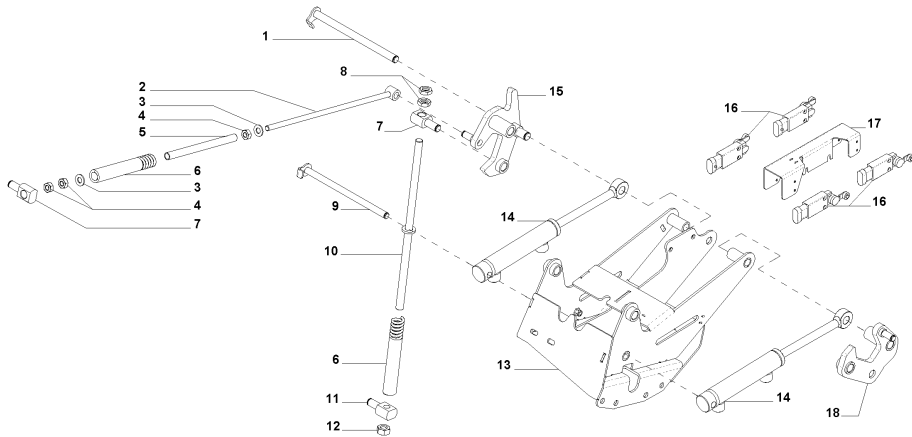


- | | | | |
|----|-----------|---|------------|
| 1 | 323046150 | 1 | SPRING PLA |
| 2 | 16104111 | 1 | NUT |
| 3 | 355520830 | 1 | WASHER |
| 4 | 11067876 | 1 | SPRING LOC |
| 5 | 300112176 | 1 | COVER |
| 6 | 321944750 | 1 | SHIM |
| 7 | 28996530 | 1 | BEARING |
| 8 | 355538710 | 1 | WASHER |
| 9 | 300011962 | 1 | SUPPORT |
| 10 | 320603350 | 1 | AUGER |
| 11 | 14420221 | 1 | SCREW |
| 12 | 12034671 | 1 | LOCK WASHE |
| 13 | 11106221 | 1 | SCREW |
| 14 | 321853450 | 1 | SUPPORT |
| 15 | 321853550 | 1 | DISC |
| 16 | 350384428 | 1 | KEY |
| 17 | 11106021 | 1 | SCREW |
| 18 | 11061076 | 1 | SPRING LOC |
| 19 | 323046150 | 1 | SPRING PLA |
| 20 | 323045950 | 1 | TROUGH |
| 21 | 300128263 | 1 | GEAR |
| 22 | 355511240 | 1 | WASHER |
| 23 | 12034771 | 1 | LOCK WASHE |
| 24 | 11112424 | 1 | SCREW |

MTB "REV" 255 REV (551700045_551700999)



25.08_1



1	0032338085 00	1	PIN
2	0032338095 00	1	TIE ROD
3	0035550112 00	2	WASHER
4	0001170171 10	2	NUT
5	0032338105 00	1	SPACER
6	0035356115 90	2	SPRING
7	0032283585 00	2	BALL JOINT
8	0001071742 10	1	NUT
9	0032338075 00	1	PIN
10	0032300695 00	1	TIE ROD
11	0032281145 00	1	BALL JOINT
12	0001216321 10	1	NUT
13	0032337815 00	1	SUPPORT
14	0032338350 00	2	CYLINDER
15	0032337855 00	1	LEVER
16	0043017945 00	4	SWITCH
17	0032337835 00	1	STIRRUP
18	0032337845 00	1	LEVER

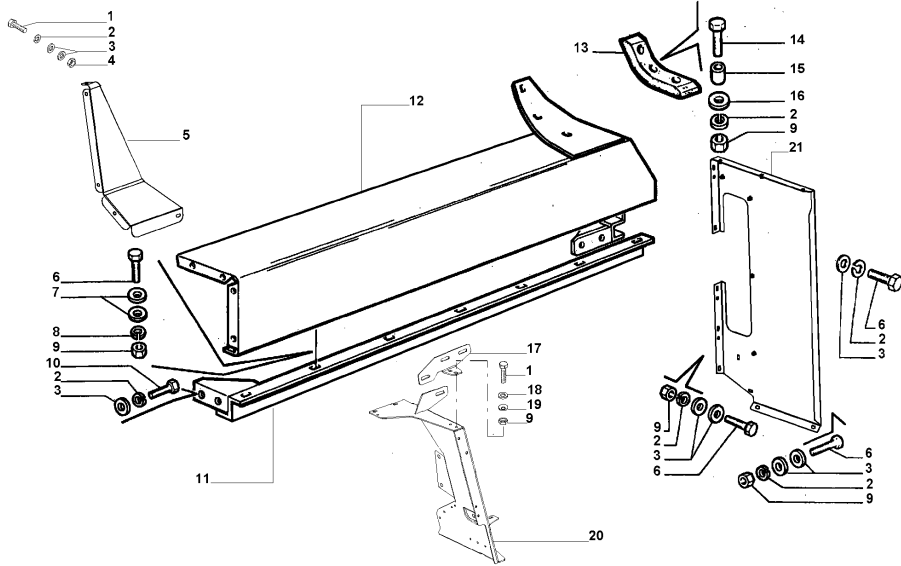
GRAIN TANK AND FAIRINGS

25.2
2

BODY, L.H. FOR ENGINE

MTB "REV" 255 REV (551700045_551700999)

25.22



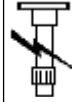
- | | | | |
|----|-----------|---|------------|
| 1 | 16043421 | 1 | SCREW |
| 2 | 12034571 | 1 | LOCK WASHE |
| 3 | 355510820 | 1 | WASHER |
| 4 | 16100811 | 1 | NUT |
| 5 | 322967150 | 1 | MOLDING |
| 6 | 16043424 | 1 | SCREW |
| 7 | 355510820 | 1 | WASHER |
| 8 | 12034571 | 1 | LOCK WASHE |
| 9 | 16100811 | 1 | NUT |
| 10 | 16100824 | 1 | NUT |
| 11 | 323041350 | 1 | PROFILE |
| 12 | 322950050 | 1 | COVER |
| 13 | 321876350 | 1 | ABUTMENT |
| 14 | 16043624 | 1 | SCREW |
| 15 | 344158144 | 1 | BUSH |
| 16 | 355500915 | 1 | WASHER |
| 17 | 323004250 | 1 | SUPPORT |
| 18 | 355500920 | 1 | WASHER |
| 19 | 322358 | 1 | WASHER |
| 20 | 323033150 | 1 | STIRRUP |
| 21 | 323041250 | 1 | COVER |

HYDRAULIC SYSTEM

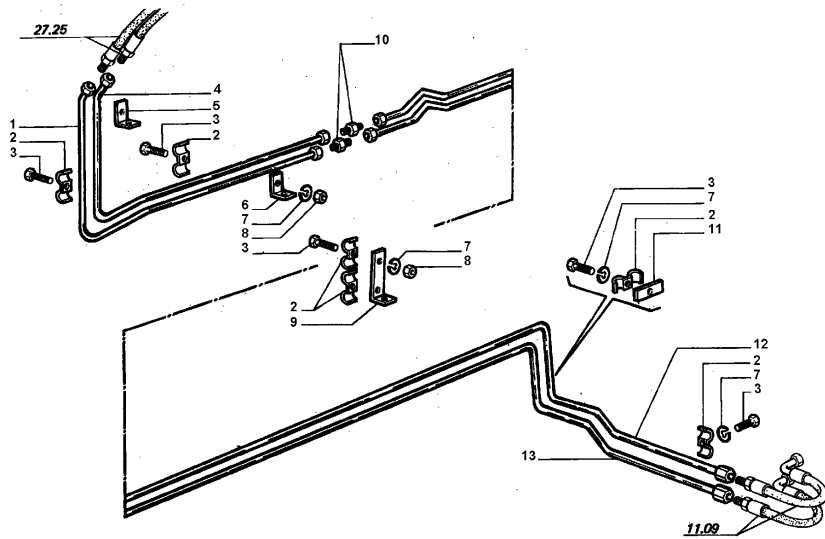
28.0
5_2

DRIVE HYDRAULIC CIRCUIT page 2

MTB "REV" 255 REV (551700045_551700999)



28.05_2



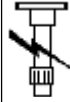
- | | | | | |
|----|-----------|--------------------|---|------------|
| 1 | 321881050 | | 1 | PIPE |
| 2 | 300136688 | | 1 | BRIDLE |
| 3 | 10902621 | | 1 | SCREW |
| 4 | 321881250 | | 1 | PIPE |
| 5 | 300132974 | | 1 | BRIDLE |
| 6 | 300132973 | | 1 | BRIDLE |
| 7 | 12035670 | ● 000120356710 (1) | 1 | LOCK WASHE |
| 8 | 15896221 | | 2 | NUT |
| 9 | 321963750 | | 1 | BRIDLE |
| 10 | 321420150 | | 1 | UNION |
| 11 | 301378460 | | 1 | BRIDLE |
| 12 | 321881150 | | 1 | STANDPIPE |
| 13 | 321881350 | | 1 | PIPE |

STRAW WALKERS

21.0
6_2

PARTS FOR NORMALS SOILS page2

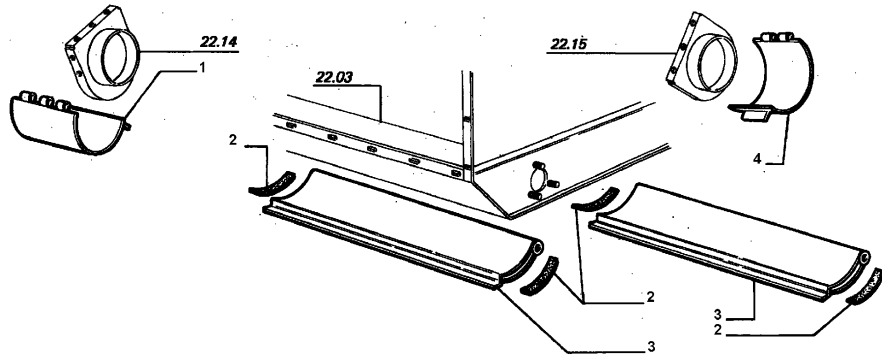
MTB "REV" 255 REV (551700045_551700999)



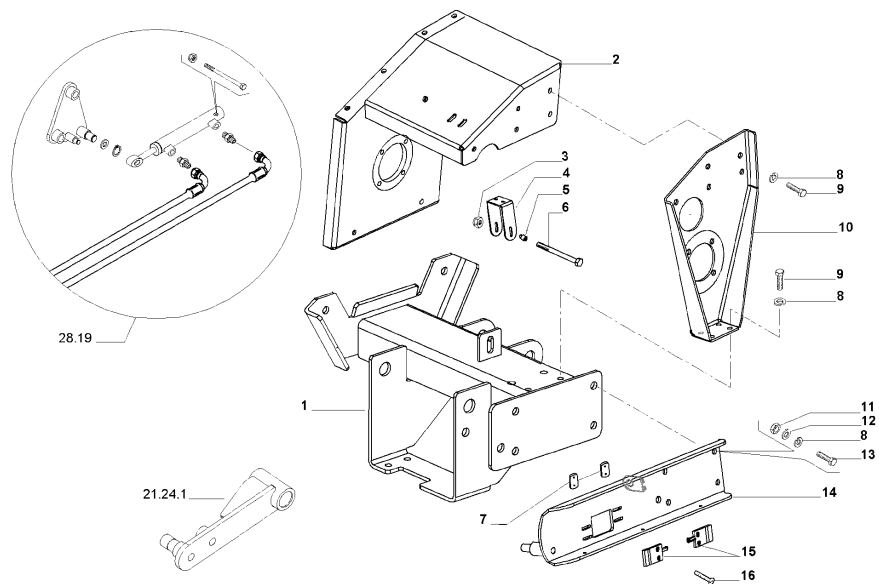
21.06_2

- 1 321850050
- 2 321843650
- 3 321841250
- 4 321826250

- 1 LID
- 4 GASKET
- 2 LID
- 1 LID



MTB "REV" 255 REV (551700045_551700999)



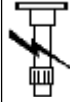
- | | | | |
|----|-----------|---|------------|
| 1 | 322835150 | 1 | STIRRUP |
| 2 | 322952850 | 1 | PLATE |
| 3 | 16104111 | 1 | NUT |
| 4 | 322837950 | 1 | YOKE |
| 5 | 322839450 | 1 | BUSH |
| 6 | 16044521 | 1 | SCREW |
| 7 | 322836150 | 1 | RETAINING |
| 8 | 12034671 | 1 | LOCK WASHE |
| 9 | 11106221 | 1 | SCREW |
| 10 | 322952950 | 1 | STIRRUP |
| 11 | 11701711 | 1 | NUT |
| 12 | 355501130 | 1 | WASHER |
| 13 | 11106421 | 1 | SCREW |
| 14 | 322836050 | 1 | PROFILE |
| 15 | 322864200 | 1 | SWITCH |
| 16 | 10375811 | 1 | SCREW |

STRAW WALKERS

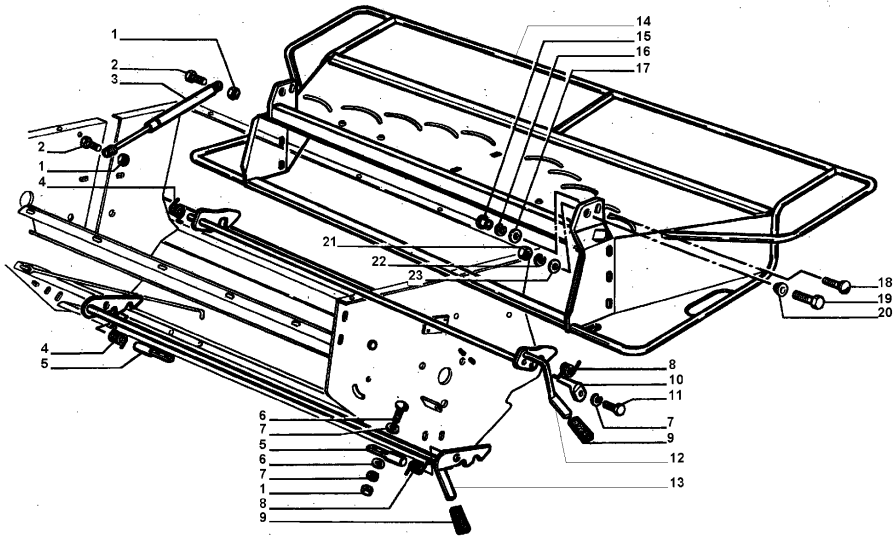
21.2
4_14

STRAW CHOPPER-SPREADER HOUSING

MTB "REV" 255 REV (551700045_551700999)



21.24_14



- | | | | | |
|----|-----------|--------------------|---|------------|
| 1 | 16100811 | | 1 | NUT |
| 2 | 16043621 | | 1 | SCREW |
| 3 | 322325550 | | 1 | SPRING |
| 4 | 350356937 | | 1 | SPRING |
| 5 | 322328450 | | 1 | PIN |
| 6 | 350342512 | | 1 | SCREW |
| 7 | 355510810 | ● 003555108200 (1) | 1 | WASHER |
| 8 | 350356936 | | 1 | SPRING |
| 9 | 322328750 | | 1 | HANDLE GRI |
| 10 | 322413450 | | 1 | PIVOT |
| 11 | 350342542 | | 1 | SCREW |
| 12 | 322347450 | | 1 | LEVER |
| 13 | 322347550 | | 1 | LEVER |
| 14 | 322342450 | | 1 | BODY |
| 15 | 322328550 | | 1 | THIMBLE |
| 16 | 12034771 | | 1 | LOCK WASHE |
| 17 | 355501330 | | 1 | WASHER |
| 18 | 350342542 | | 1 | SCREW |
| 19 | 11118921 | ● 000111189310 (1) | 1 | SCREW |
| 20 | 322268450 | | 1 | BUSH |
| 21 | 12163311 | | 1 | NUT |
| 22 | 12034871 | | 1 | LOCK WASHE |
| 23 | 355532830 | | 1 | WASHER |

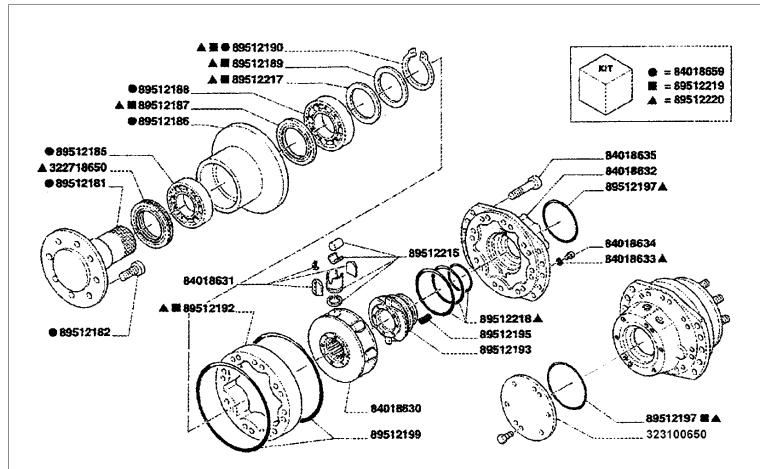
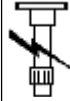
TRACTION

11.0
6_3

POWERED REAR AXLE FOUR WD page 3

MTB "REV" 255 REV (551700045_551700999)

11.06_3



- 322718650 1 GASKET
- 323100650 1 COVER
- 84018630 1 IMPELLER
- 84018631 1 KIT SEALS
- 84018632 1 COVER
- 84018633 1 AIRTIGHT E
- 84018634 1 SCREW
- 84018635 1 SCREW
- 84018659 1 SUPPORT
- 89512181 1 SUPPORT
- 89512182 8 COLUMN
- 89512185 1 BEARING
- 89512186 1 SUPPORT
- 89512187 1 GASKET
- 89512188 1 BEARING
- 89512189 1 WASHER
- 89512190 1 RING
- 89512192 1 RING
- 89512193 1 DISTRIBUTO
- 89512195 1 SPRING
- 89512197 2 O-RING
- 89512199 2 O-RING
- 89512215 1 KIT SEALS
- 89512217 1 RING
- 89512218 3 KIT SEALS
- 89512219 1 KIT SEALS
- 89512220 1 KIT SEALS
- 9512176 1 HYDRAULIC

255 REV

Essieu arriere
Hinterachse

TRAZIONE A 4 RUOTE MOTRICI

Powered rear axle four wd
Puente posterior

11.06

3/5 11060131022

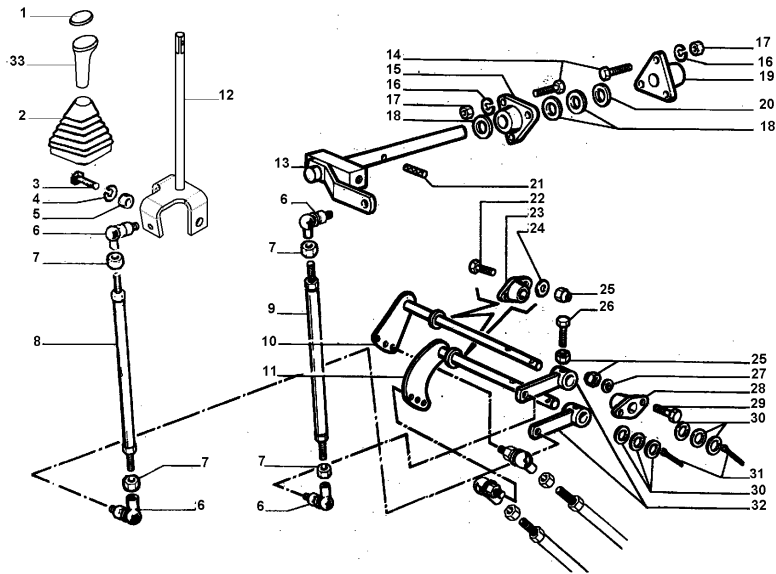
TRACTION

11.1
3_1

SHIFT LEVERS page 1

MTB "REV" 255 REV (551700045_551700999)

11.13_1



- | | | | |
|----|-----------|---|------------|
| 1 | 323302650 | 1 | PLAQUE, DA |
| 2 | 323302250 | 1 | BELLOWS |
| 3 | 15540424 | 1 | SCREW |
| 4 | 12034771 | 1 | LOCK WASHE |
| 5 | 340415528 | 1 | BUSH |
| 6 | 301614600 | 1 | BALL JOINT |
| 7 | 11701721 | 1 | NUT |
| 8 | 320426850 | 1 | ROD |
| 9 | 320426850 | 1 | ROD |
| 10 | 322211050 | 1 | SHAFT |
| 11 | 322210950 | 1 | SHAFT |
| 12 | 323302050 | 1 | LEVER |
| 13 | 322014050 | 1 | SHAFT |
| 14 | 16043624 | 1 | SCREW |
| 15 | 300033199 | 1 | SUPPORT |
| 16 | 12034571 | 1 | LOCK WASHE |
| 17 | 16100811 | 1 | NUT |
| 18 | 355536220 | 1 | WASHER |
| 19 | 300033199 | 1 | SUPPORT |
| 20 | 355536230 | 1 | WASHER |
| 21 | 14604370 | 1 | PLUG |
| 22 | 16043624 | 1 | SCREW |
| 23 | 321907050 | 1 | SUPPORT |
| 24 | 355510820 | 1 | WASHER |
| 25 | 16104121 | 1 | NUT |
| 26 | 16044031 | 1 | SCREW |
| 27 | 355510820 | 1 | WASHER |
| 28 | 321907050 | 1 | SUPPORT |
| 29 | 16043624 | 1 | SCREW |
| 30 | 355533830 | 1 | WASHER |
| 31 | 10734901 | 1 | LINCH PIN |
| 32 | 322078250 | 1 | LEVER |
| 33 | 323302150 | 1 | HANDLE GRI |

TRACTION

11.2
0_1

AXLE SHAFT

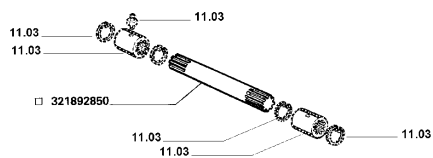
MTB "REV" 255 REV (551700045_551700999)



11.20_1

321892850

2 HALFSHAFT



- GRANO
- BLÉ
- KORN
- WHEAT
- TRIGD

255 REV

Demi-arbre
Vorderstueck

SEMI-ASSE ANTERIORE

Axle shaft
Semiyejs

11.20

1/1 11200131022

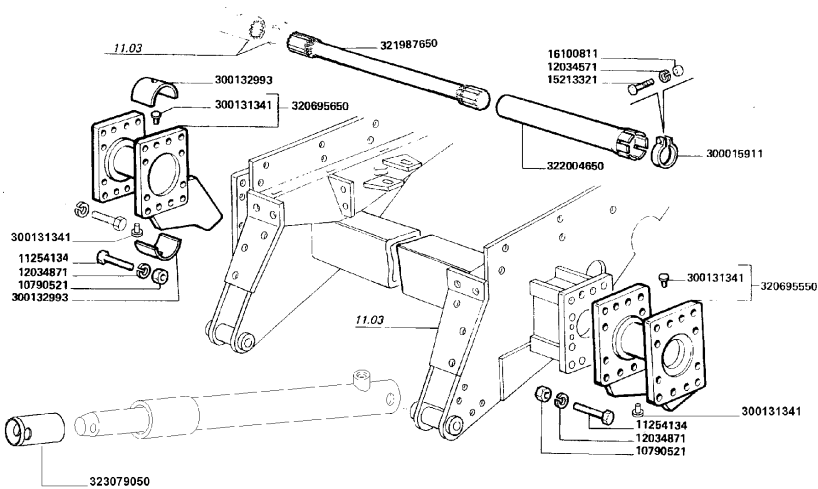
TRACTION

13.8
8_1

CRAWLER TRACKS (7 ROLLER) page 1

MTB "REV" 255 REV (551700045_551700999)

13.88_1



- 10790521
- 11254134
- 12034871
- 15213321
- 16100811
- 300015911
- 300131341
- 300132993
- 320695650
- 321987650
- 322004650
- 323079050

- 32 NUT
- 24 SCREW
- 88 LOCK WASHE
- 1 SCREW
- 1 NUT
- 1 CLAMP
- 4 RUNG
- 4 HALF ROUND
- 2 EXTENSION
- 2 HALFSHAFT
- 2 SHIELD
- 2 SPACER

205 REV

Cherilles
Raupeketten

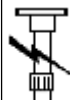
CINGOLATURA - A 7 RULLI

Crawler tracks
Orugas

13.88

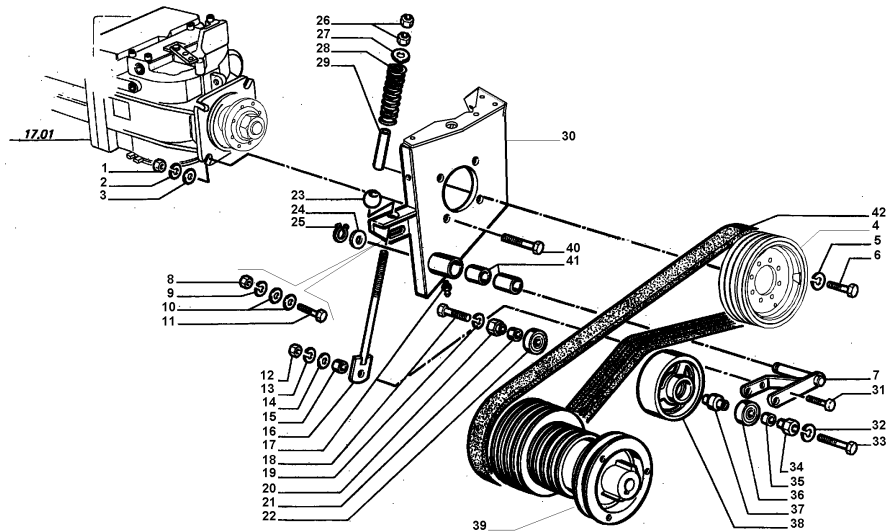
1/6 13880131130

MTB "REV" 255 REV (551700045_551700999)



17.02_1

- | | | | |
|----|------------------|---|------------|
| 30 | 0032337685
00 | 1 | PLATE |
| 31 | 11112424 | 1 | SCREW |
| 32 | 12034771 | 1 | LOCK WASHE |
| 33 | 15232821 | 1 | SCREW |
| 34 | 300134396 | 1 | BUSH |



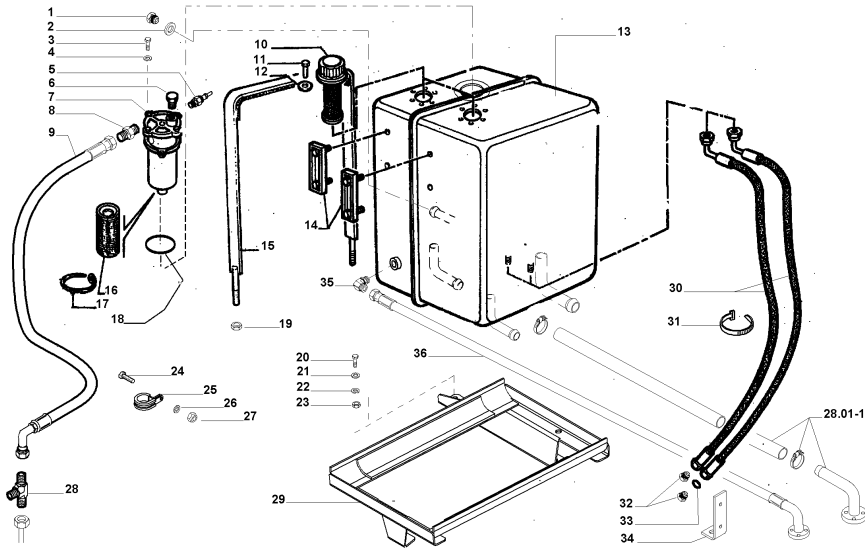
TRACTION

17.0
6_1

OIL TANK page 1

MTB "REV" 255 REV (551700045_551700999)

17.06_1



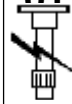
- | | | | |
|----|--------------|---|------------|
| 1 | 350359406 | 1 | PLUG |
| 2 | 322731950 | 1 | WASHER |
| 3 | 16043424 | 1 | SCREW |
| 4 | 12034571 | 1 | LOCK WASHE |
| 5 | 320582450 | 1 | PRESSURE S |
| 6 | 322747450 | 1 | PLUG |
| 7 | 322736500 | 1 | FILTER |
| 8 | 322968200 | 1 | UNION |
| 9 | 322085250 | 1 | PIPE |
| 10 | 322131700 | 1 | PLUG |
| 11 | 13274214 | 1 | SCREW |
| 12 | 355500615 | 1 | WASHER |
| 13 | 322943550 | 1 | OIL TANK |
| 14 | 311841100 | 1 | INDICATOR |
| 15 | 300118433 | 1 | COLLAR |
| 16 | 322736650 | 1 | ELEMENT,FI |
| 17 | 340481809 | 1 | CLAMP |
| 18 | 14472380 | 1 | O-RING |
| 19 | 12577211 | 1 | NUT |
| 20 | 16043421 | 1 | SCREW |
| 21 | 355500915 | 1 | WASHER |
| 22 | 12034571 | 1 | LOCK WASHE |
| 23 | 16100811 | 1 | NUT |
| 24 | 10902421 | 1 | SCREW |
| 25 | 10451090 | 1 | BRACKET |
| 26 | 355510615 | 1 | WASHER |
| 27 | 12574211 | 1 | NUT |
| 28 | 322870950 | 1 | UNION |
| 29 | 003234142000 | 1 | SUPPORT |
| 30 | 322159250 | 1 | PIPE |
| 31 | 340481809 | 1 | CLAMP |
| 32 | 321871950 | 1 | PLUG |
| 33 | 14462880 | 1 | O-RING |

VARIATIONS

100

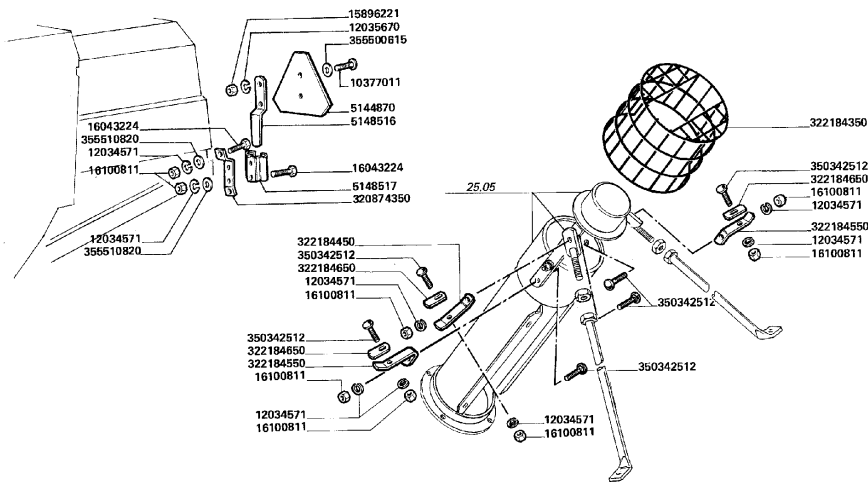
DENMARK - SWEDEN VERSION

017.2_1



100017.2
_1

MTB "REV" 255 REV (551700045_551700999)



- 10377011
- 12034571
- 12035670
- 15896221
- 16043224
- 16100811
- 320874350
- 322184350
- 322184450
- 322184550
- 322184650
- 350342512
- 355500615
- 355510820
- 5144870
- 5148516
- 5148517
- 2 SCREW
- 10 LOCK WASHE
- 2 LOCK WASHE
- 3 NUT
- 4 SCREW
- 10 NUT
- 1 BASE PLATE
- 1 SHIELD
- 1 SUPPORT
- 2 SUPPORT
- 3 RETAINING
- 6 SCREW
- 2 WASHER
- 4 WASHER
- 1 REFLECTOR
- 1 STIRRUP
- 1 SUPPORT

255 REV

ALLESTIMENTO DANIMARCA - SVEZIA

Equipment Danmark - Suède
Ausrustung fuer Daenemarck - Schweden

017.2

Denmark - Sweden version
Alistamiento Dinamarca - Suecia

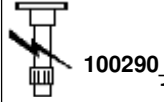
1/1 3005013000

VARIATIONS

100
- 290_1

ELECTRICAL ADJUSTMENT DEFLECTORS page 1

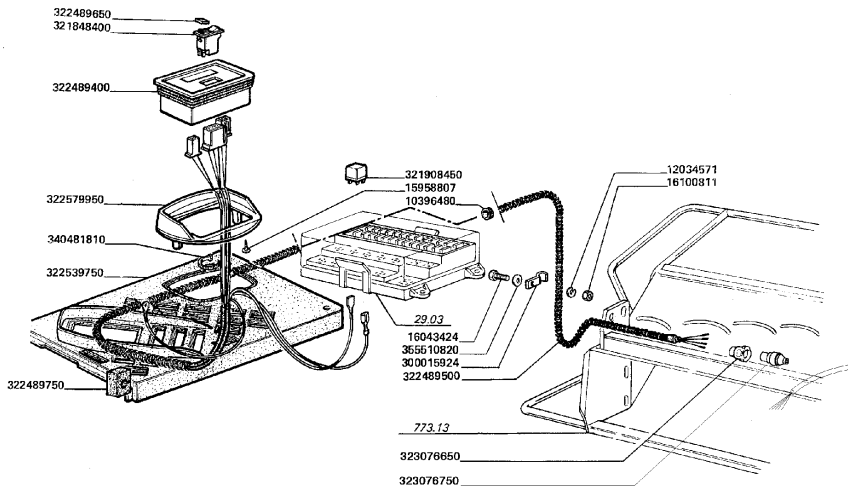
MTB "REV" 255 REV (551700045_551700999)



100290

1

- | | |
|-----------|--------------|
| 10396480 | 1 RING |
| 12034571 | 2 LOCK WASHE |
| 15958807 | 2 SCREW |
| 16043424 | 2 SCREW |
| 16100811 | 2 NUT |
| 300015924 | 2 CLAW |
| 321848400 | 1 BUTTON |
| 321908450 | 1 SWITCH, RE |
| 322489400 | 1 ELECTRONIC |
| 322489500 | 1 WIRE/CABLE |
| 322489650 | 1 PLATE |
| 322489750 | 1 BLOCK |
| 322539750 | 1 DASH BOARD |
| 322579950 | 1 SUPPORT |
| 323076650 | 1 SOCKET |
| 323076750 | 1 SOCKET |
| 340481810 | 1 CLAMP |
| 355510820 | 2 WASHER |



255 REV

Deflecteur réglable électrique
Elektrische einstellbare ableitblech

REGOLAZIONE ELETTRICA DEFLETTORI

Electrical adjustment deflectors
Deflector regulable electrica

290

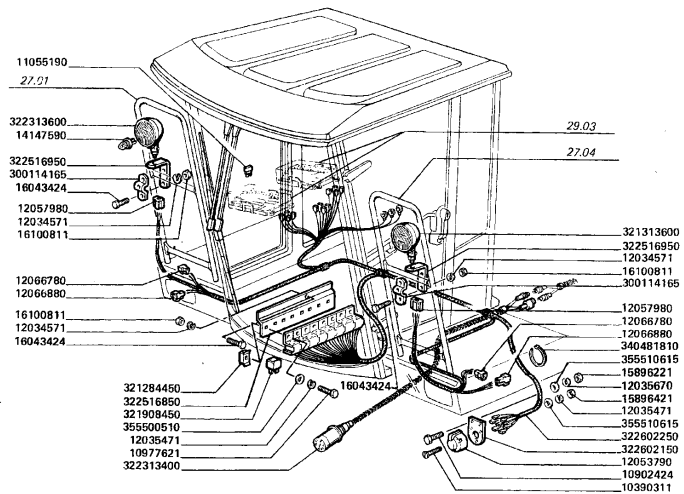
1/2 21250131003

VARIATIONS

100
- 735_1

ADDITIONAL ELECTRIC SYSTEM FOR FLIP-UP MAIZE

MTB "REV" 255 REV (551700045_551700999)



- | | | | |
|-----------|--|---|------------|
| 10390311 | | 1 | SCREW |
| 10902424 | | 1 | SCREW |
| 10977621 | | 1 | SCREW |
| 11055190 | | 1 | FUSE |
| 12034571 | | 3 | LOCK WASHE |
| 12035471 | | 2 | LOCK WASHE |
| 12035670 | ● 000120356710 (1) | 1 | LOCK WASHE |
| 12053790 | ● 000051021560 (1)
000051022340 (1) | 1 | REAR SOCKE |
| 12057980 | | 2 | UNIVERSAL |
| 12066780 | | 2 | UNIVERSAL |
| 12066880 | | 2 | UNIVERSAL |
| 14147590 | ● 000141520900 (1) | 1 | LAMPADA |
| 15896221 | | 1 | NUT |
| 15896421 | ● 000158964110 (1) | 1 | NUT |
| 16043424 | | 3 | SCREW |
| 16100811 | | 3 | NUT |
| 300114165 | | 2 | RETAINING |
| 321284450 | | 1 | NUT |
| 321908450 | | 1 | SWITCH, RE |
| 322313400 | | 1 | WIRE/CABLE |
| 322313600 | ● 000804188630 (2) | 2 | LAMP |
| 322516850 | | 1 | SUPPORT |
| 322516950 | | 2 | BRACKET PL |
| 322602150 | | 1 | SUPPORT |
| 322602250 | | 1 | WIRE/CABLE |
| 340481810 | | 1 | CLAMP |
| 355500510 | | 1 | WASHER |
| 355510615 | | 2 | WASHER |

255 REV

Installation électrique
Zusätzlicher elektrischer

IMPIANTO ELETTRICO BARRA RIPIEGHEVOLE

Additional electric system
Instalacion electrica

735

1/1 7117351790

VARIATIONS

100
- 789_1

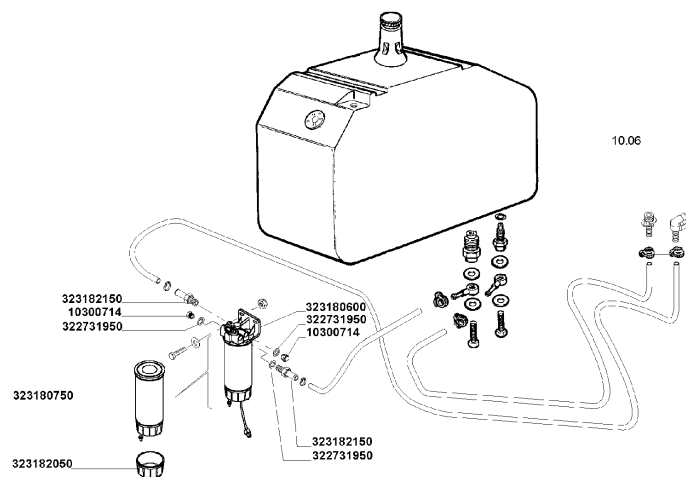
FUEL FILTER

MTB "REV" 255 REV (551700045_551700999)



10300714
322731950
323180600
323180750
323182150

2 PLUG
2 WASHER
1 FILTER
1 FILTER, EL
2 UNION



255 REV

Filtro
Filter

FILTRO COMBUSTIBILE 10 MICRON

Filtro
Filter

789

1/1 10100152000

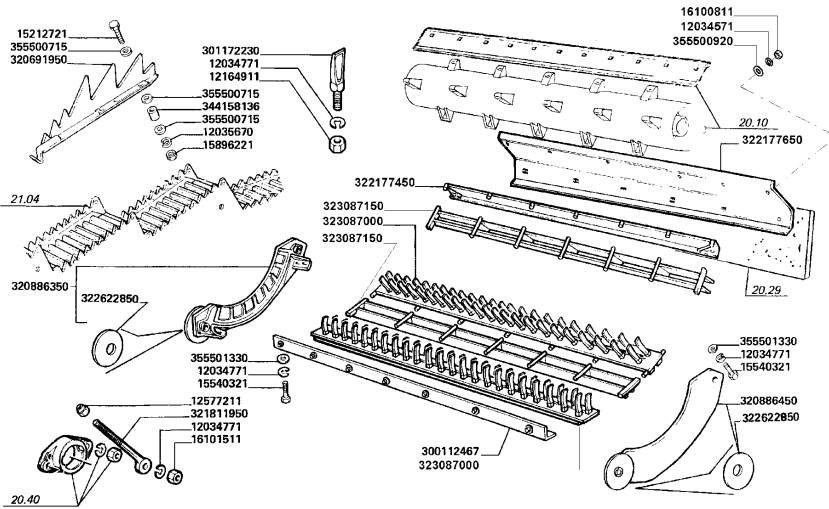
VARIATIONS

100
- 899_1

SPIKE TOOTH CONCAVE WITH TWO COMPLETE THRESING

MTB "REV" 255 REV (551700045_551700999)

100899



255 REV

CONTROBATTITORE A DENTI (A 2 SEZIONI BATTENTI - TURCHIA)
 Contre-batteur a dents deux sections
 de battage complete
 Slifendresch-korb mit zwei stiftleiten Kpl
 Spike tooth concave with two complete
 threshing sections
 Concavo de dientes de dos seccion batientes completas

899

1/1 20190131132

- 12034571
- 12034771
- 12035670
- 12164911
- 12577211
- 15212721
- 15540321
- 15896221
- 16100811
- 16101511
- 300112467
- 301172230
- 320691950
- 320886350
- 320886450
- 321811950
- 322177450
- 322177650
- 322622850
- 323087000
- 323087150
- 344158136
- 355500715
- 355500920
- 355501330
- 7 LOCK WASHE
- 4 LOCK WASHE
- 12 LOCK WASHE
- 1 NUT
- 1 NUT
- 12 SCREW
- 2 SCREW
- 12 NUT
- 7 NUT
- 1 NUT
- 1 CROSSPIECE
- 1 TINE
- 3 STRAW ELEV
- 1 BOARD
- 1 BOARD
- 1 TIE ROD
- 1 CROSSPIECE
- 1 SUPPORT
- 2 WASHER
- 2 PLATE
- 2 GRILLE
- 12 BUSH
- 12 WASHER
- 7 WASHER
- 4 WASHER

● 000120356710 (12)

CLICK HERE TO **DOWNLOAD** THE COMPLETE MANUAL

- Thank you very much for reading the preview of the manual.
- You can download the complete manual from: www.heydownloads.com by clicking the link below



- Please note: If there is no response to CLICKING the link, please download this PDF first and then click on it.

CLICK HERE TO **DOWNLOAD** THE COMPLETE MANUAL