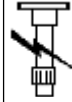
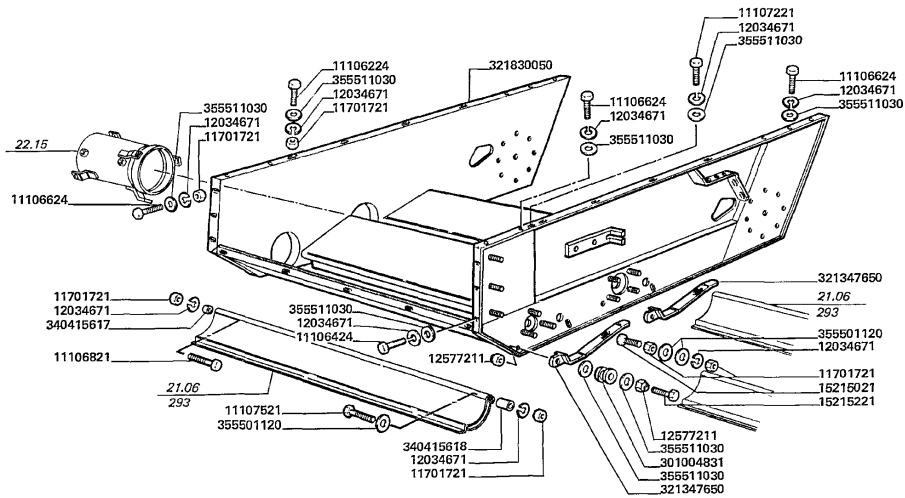


CLEANING

SHAKER SHOE page1



MTB "AL" 2450 AL (277391001_277411003)



- 11106221 1 SCREW
- 11106624 4 SCREW
- 11106821 1 SCREW
- 11107221 1 SCREW
- 11107521 1 SCREW
- 11701721 6 NUT
- 12034671 9 LOCK WASHE
- 12577211 1 NUT
- 15215021 1 SCREW
- 15215221 1 SCREW
- 301004831 1 GROMMET
- 321347650 1 LEVER
- 321830050 1 CASHIER
- 340415617 1 BUSH
- 340415618 1 SPACER
- 355501120 2 WASHER
- 355511030 8 WASHER

CLICK HERE TO **DOWNLOAD** THE COMPLETE MANUAL

- Thank you very much for reading the preview of the manual.
- You can download the complete manual from: www.heydownloads.com by clicking the link below



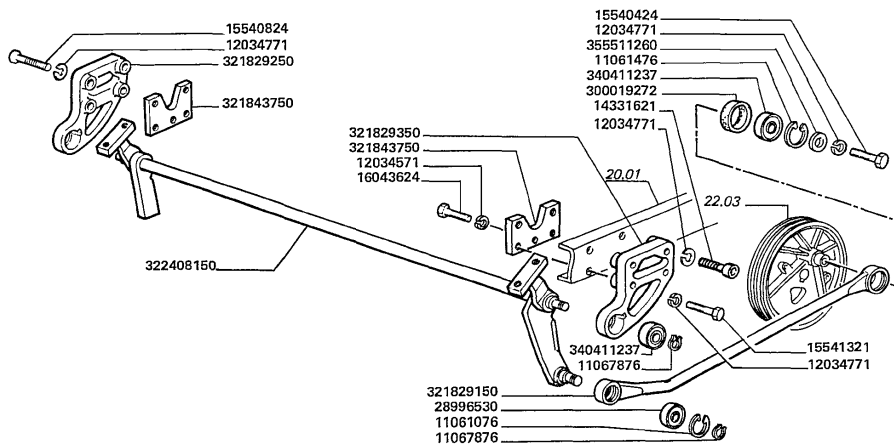
- Please note: If there is no response to CLICKING the link, please download this PDF first and then click on it.

CLICK HERE TO **DOWNLOAD** THE COMPLETE MANUAL

CLEANING

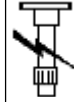
GRAIN PAN DRIVE page1

MTB "AL" 2450 AL (277391001_277411003)



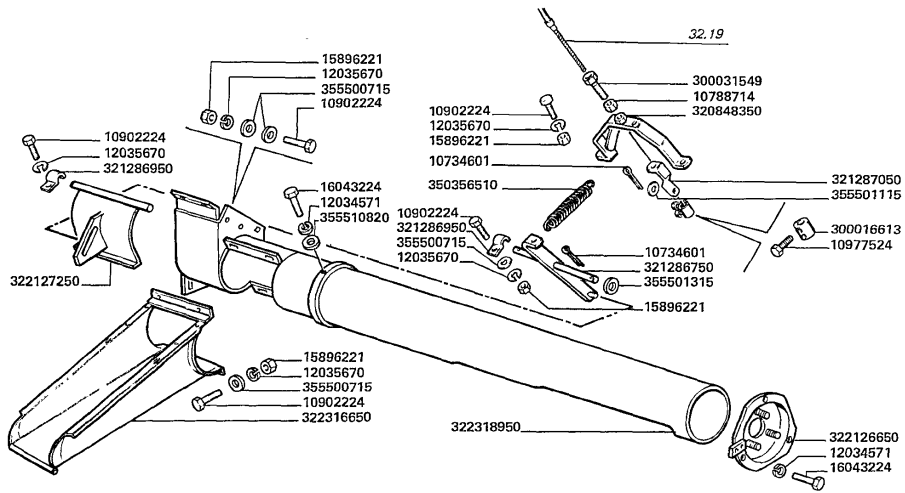
11061076		1	SPRING LOC
11061476		1	SPRING LOC
11067876		2	SPRING LOC
12034571		1	LOCK WASHE
12034771		4	LOCK WASHE
14331621		1	SCREW
15540424		1	SCREW
15540824	● 000155408240 (1)	1	SCREW
15541321		1	SCREW
16043624		1	SCREW
28996530		1	BEARING
300019272		1	BUSH
321829150		1	CONROD
321829250	● 003218292503 (1)	1	SUPPORT
321829350		1	SUPPORT
321843750		2	PLATE RETA
322408150		1	SHAFT
340411237		1	BEARING
355511260		1	WASHER

CLEANING



TAILINGS ELEVATOR (NORMAL) page4

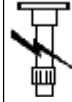
MTB "AL" 2450 AL (277391001_277411003)



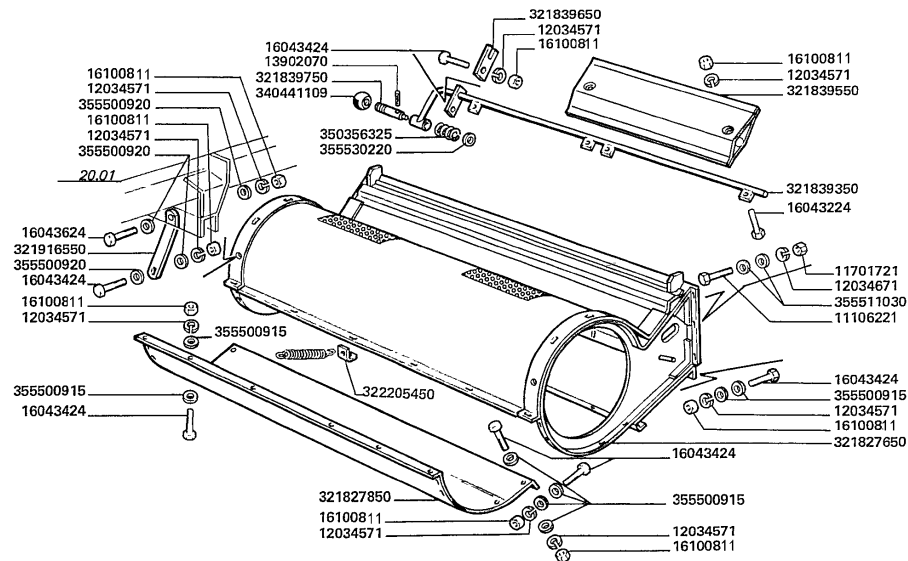
- | | | | |
|-----------|--------------------|---|------------|
| 10902224 | | 1 | SCREW |
| 12034571 | | 2 | LOCK WASHE |
| 12035670 | ● 000120356710 (2) | 2 | LOCK WASHE |
| 15896221 | | 2 | NUT |
| 16043224 | | 2 | SCREW |
| 322126650 | | 1 | SUPPORT |
| 322318950 | | 1 | PLATE |
| 322857950 | | 1 | LID |
| 355500715 | | 2 | WASHER |
| 355510820 | | 1 | WASHER |

CLEANING

FAN page2



MTB "AL" 2450 AL (277391001_277411003)

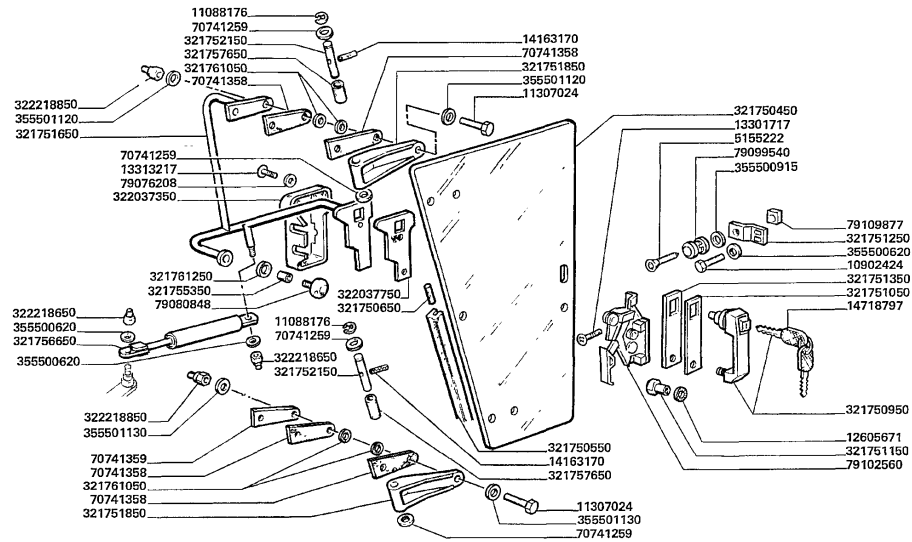
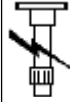


- | | |
|-----------|--------------|
| 11106221 | 1 SCREW |
| 11701721 | 1 NUT |
| 12034571 | 8 LOCK WASHE |
| 12034671 | 1 LOCK WASHE |
| 13902070 | 1 DOWEL |
| 16043424 | 7 SCREW |
| 16043624 | 1 SCREW |
| 16100811 | 8 NUT |
| 321827650 | 1 CASHIER |
| 321827850 | 1 PANEL |
| 321839350 | 1 ROD |
| 321839550 | 1 DEFLECTOR |
| 321839650 | 1 PLATE |
| 321839750 | 1 PIN |
| 321916550 | 1 SUPPORT |
| 340441109 | 1 HANDLE GRI |
| 350356325 | 1 SPRING |
| 355500915 | 4 WASHER |
| 355500920 | 2 WASHER |
| 355511030 | 1 WASHER |
| 355530220 | 1 WASHER |

Drive's platform

CAB - DOOR, LEFT

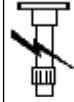
MTB "AL" 2450 AL (277391001_277411003)



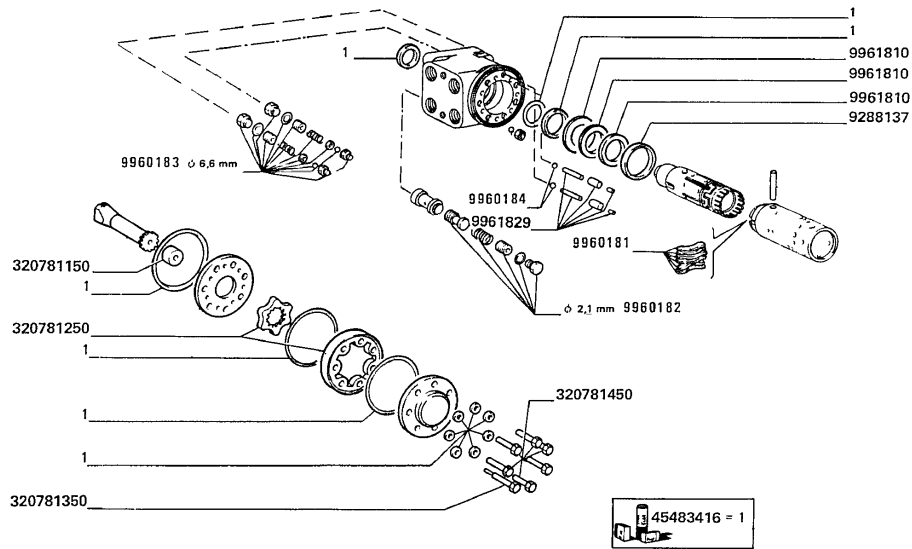
- 14161870
- 14306521 ● 000143065240 (2)
- 14442121
- 16043421
- 16104111
- 322808651
- 322808653
- 322808754
- 322808757
- 322808758
- 322808760
- 322808763
- 322808764
- 322808851
- 322808853
- 322808854
- 322808855
- 322808856
- 322808857
- 322808858
- 322820050
- 322842200
- 355500920
- 355510820
- 355510830
- 1 PIN
- 2 SCREW
- 1 0 - MANCA
- 2 SCREW
- 3 NUT
- 1 BOSS
- 1 GROMMET
- 2 GASKET
- 2 PIN
- 1 BALL JOINT
- 1 SPRING
- 1 YOKE
- 1 PLUG
- 2 HINGE
- 1 GASKET
- 1 HANDLE
- 1 LOCK
- 2 HANDLE
- 1 GASKET
- 2 GROMMET
- 1 STRAP
- 1 GLASS
- 2 WASHER
- 4 WASHER
- 1 WASHER

Drive's platform

MTB "AL" 2450 AL (277391001_277411003)



HYDRAULIC DRIVE ELEMENTS (DANFOSS)

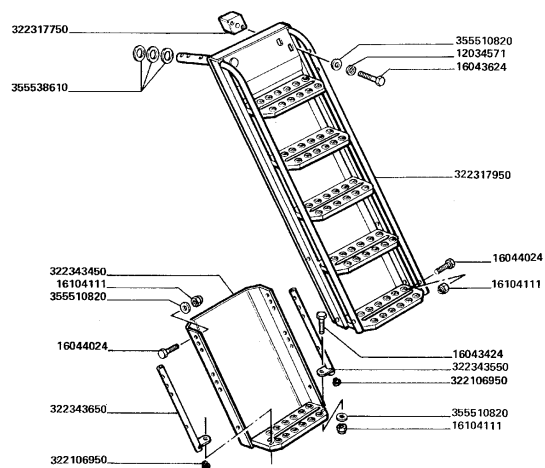


- | | | | |
|-----------|--------------------|---|------------|
| 320781150 | | 1 | SPACER |
| 320781250 | | 1 | GEAR |
| 320781350 | | 1 | SCREW |
| 320781450 | | 4 | SCREW |
| 45483416 | ● 000099703690 (1) | 1 | REPLACE |
| 9288137 | | 1 | RING |
| 9960181 | | 3 | SET OF PAR |
| 9960182 | | 1 | VALVE |
| 9960183 | ● 000099703700 (1) | 1 | VALVE |
| 9960184 | | 1 | BALL |
| 9961810 | | 1 | PIN |
| 9288137 | | 1 | |

Drive's platform

PLATFORM LADDER page 1

MTB "AL" 2450 AL (277391001_277411003)

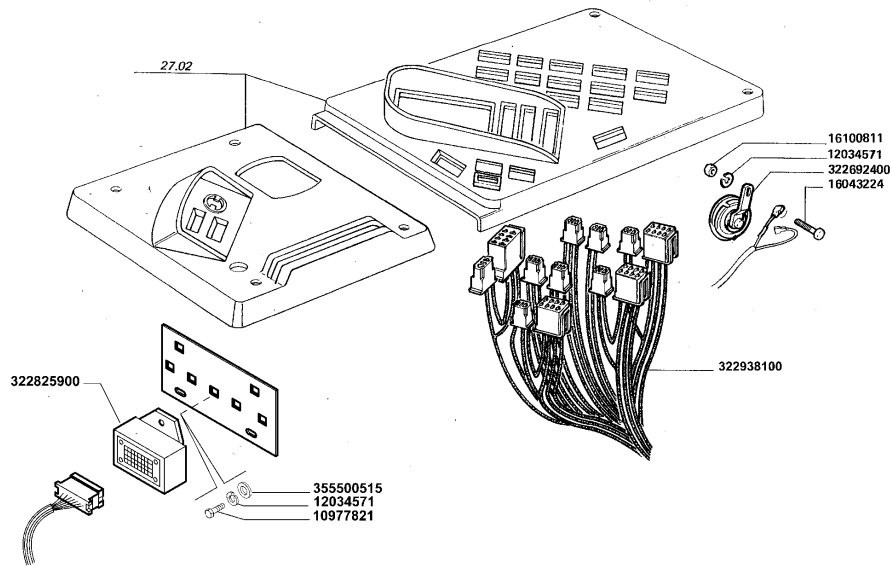
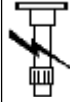


- | | |
|-----------|--------------|
| 10717511 | 2 NUT |
| 10724720 | 1 NUT |
| 10733801 | 1 LINCH PIN |
| 11060076 | 4 SPRING LOC |
| 11701711 | 1 NUT |
| 12034571 | 1 LOCK WASHE |
| 12577011 | 1 NUT |
| 16043424 | 1 SCREW |
| 300119550 | 1 PIN |
| 300129078 | 2 WASHER |
| 300129392 | 2 SPACER |
| 320561350 | 1 DOWEL |
| 320563250 | 1 FLOOR |
| 320713350 | 1 NONSKID |
| 321747550 | 1 LADDER |
| 322492950 | 1 PLATE |
| 322856450 | 1 ELEMENT DA |
| 322860150 | 1 STRUT |
| 322860550 | 1 WALL |
| 322860650 | 1 NUT |
| 322860750 | 1 THIMBLE |
| 340413415 | 2 BALL JOINT |
| 355501730 | 2 WASHER |
| 355502140 | 1 WASHER |
| 355510820 | 1 WASHER |
| 355533830 | 1 WASHER |
| 366351016 | 1 SCREW |

ELETRIC SYSTEM

CONTROL CIRCUITS page 3

MTB "AL" 2450 AL (277391001_277411003)

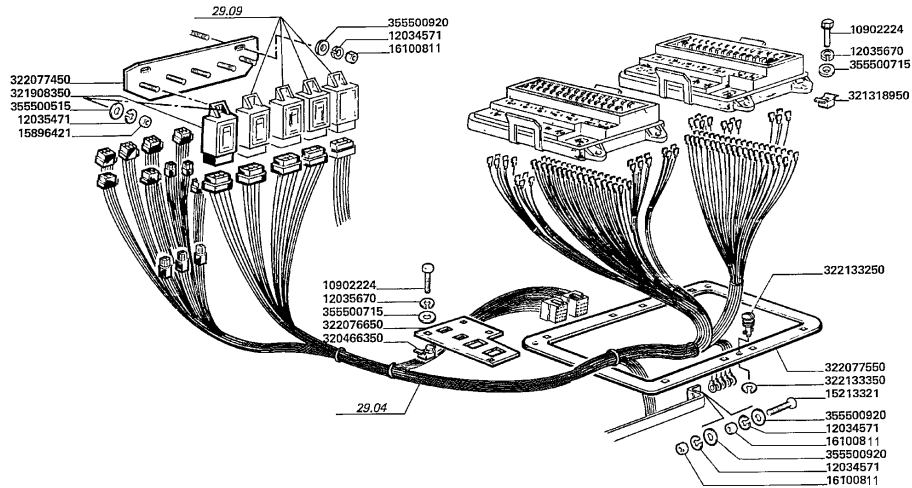
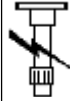


- | | | |
|-----------|---|--|
| 10977821 | | 1 SCREW |
| 12034571 | | 1 LOCK WASHE |
| 16043224 | | 1 SCREW |
| 16100811 | | 1 NUT |
| 322692400 | | 1 HORN |
| 322825900 | | 1 ELECTRONIC |
| 322938100 | ● | 003230710000 (1)
003230717000 (1)
1 WIRE/CABLE |
| 355500515 | | 1 WASHER |

ELETRIC SYSTEM

CONTROL CIRCUITS (ELECTRICAL WIRING) page4

MTB "AL" 2450 AL (277391001_277411003)



- | | | |
|-----------|--------------------|--------------|
| 10902224 | | 1 SCREW |
| 12035471 | | 4 LOCK WASHE |
| 12035670 | ● 000120356710 (2) | 2 LOCK WASHE |
| 15213321 | | 1 SCREW |
| 15896421 | ● 000158964110 (1) | 1 NUT |
| 16100811 | | 3 NUT |
| 320466350 | | 1 NUT |
| 321318950 | | 1 NUT |
| 321908350 | | 1 BUZZER |
| 322076650 | | 1 PLATE |
| 322077450 | | 1 SUPPORT |
| 322077550 | | 1 SUPPORT |
| 322133250 | | 1 STEM |
| 322133350 | | 1 WASHER |
| 322938200 | | 1 WIRE/CABLE |
| 355500515 | | 1 WASHER |
| 355500715 | | 2 WASHER |
| 355500920 | | 3 WASHER |

ELETRIC SYSTEM

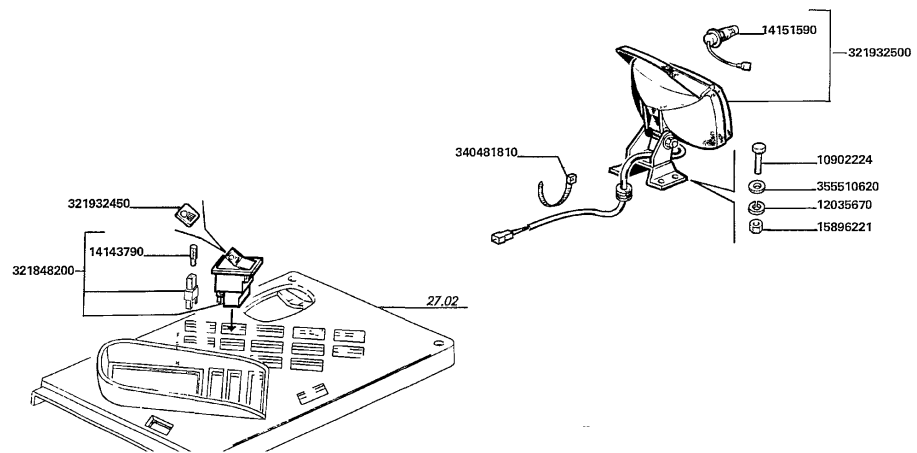
DIGITAL INSTRUMENTATION page3

MTB "AL" 2450 AL (277391001_277411003)



322361200
322366700

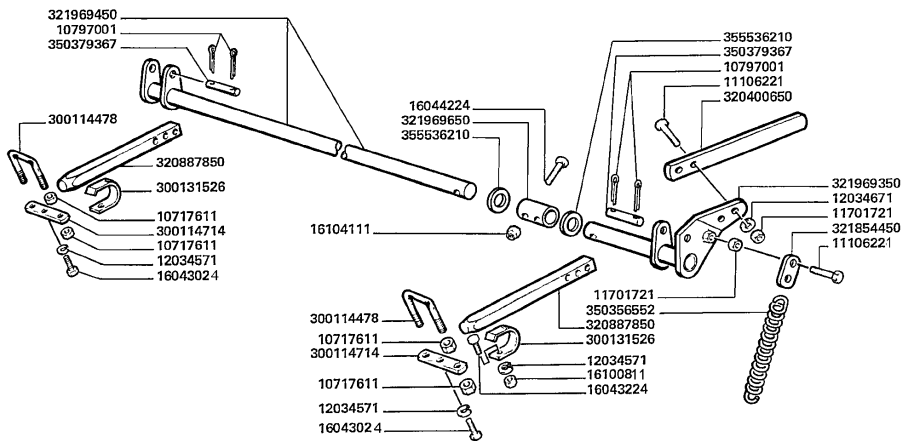
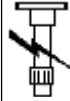
1 TIMER
1 WIRE/CABLE



ELEVATOR

FRONT ELEVATOR page3

MTB "AL" 2450 AL (277391001_277411003)

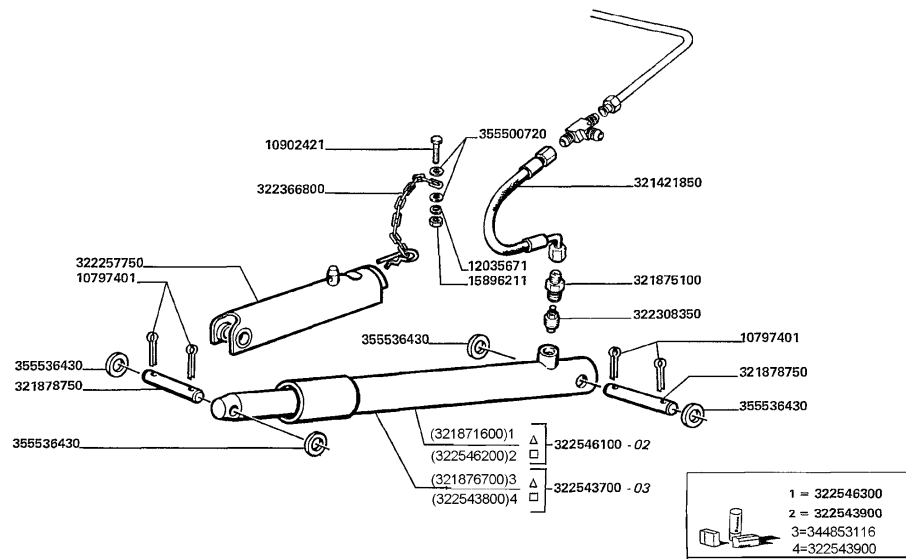
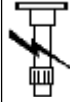


- | | | | |
|-----------|--------------------|---|------------|
| 11068376 | | 1 | SPRING LOC |
| 14441331 | | 1 | SCREW |
| 16044631 | | 1 | SCREW |
| 16045021 | ● 000160450240 (1) | 1 | SCREW |
| 16045024 | ● 000160450240 (1) | 1 | SCREW |
| 16104111 | | 1 | NUT |
| 300116217 | | 1 | BUSH |
| 320402050 | ● 003204020503 (1) | 1 | WASHER |
| 320973550 | | 1 | SHIELD |
| 320973750 | | 2 | SHIELD |
| 321692850 | | 2 | PROTECTION |
| 322223050 | | 1 | WASHER |
| 322225250 | | 2 | RING |
| 322225350 | ● 003233170500 (2) | 2 | PINION |
| 322225950 | | 1 | SHAFT |
| 340411238 | | 1 | BEARING |
| 340411277 | | 1 | BEARING |
| 350380763 | | 3 | KEY |
| 355510820 | | 4 | WASHER |

ELEVATOR

CUTTER BAR LIFTING

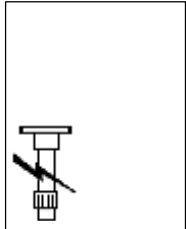
MTB "AL" 2450 AL (277391001_277411003)



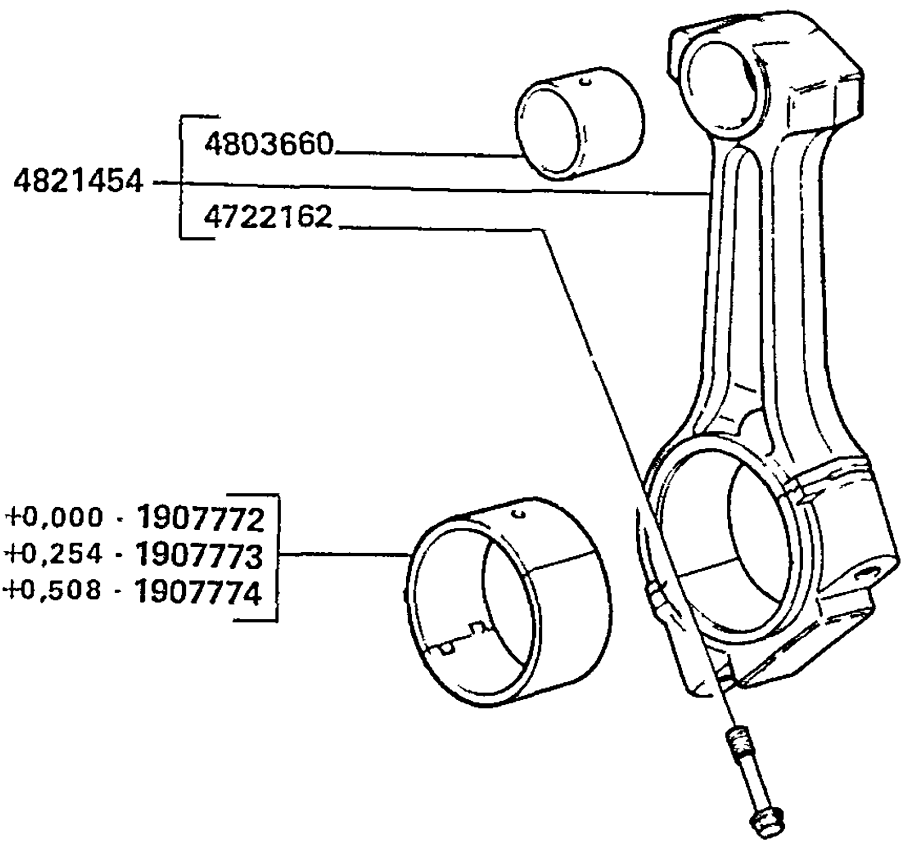
- | | |
|-----------|--------------|
| 10797401 | 2 LINCH PIN |
| 12034571 | 3 LOCK WASHE |
| 16043424 | 2 SCREW |
| 16100811 | 2 NUT |
| 300113894 | 3 BRIDLE |
| 320573950 | 1 VALVE |
| 321420650 | 1 HOSE |
| 321875100 | 1 UNION |
| 321876900 | 1 UNION |
| 321949900 | 1 WIRE/CABLE |
| 321957450 | 1 HOSE |
| 322108900 | 1 ELECTRONIC |
| 322110400 | 1 UNION |
| 322113600 | 2 UNION |
| 322127100 | 1 UNION |
| 322147250 | 1 PRESSURE S |
| 322308350 | 2 VALVE |
| 322310100 | 1 WIRE/CABLE |
| 322412950 | 1 SOLENOID |
| 322413000 | 1 SOCKET |
| 322546300 | 1 KIT SEALS |
| 322718050 | 1 VALVE |
| 322718750 | 1 HYDRAULIC |
| 322761100 | 1 WIRE/CABLE |
| 322806600 | 1 UNION |
| 322852050 | 1 PIPE |
| 322852150 | 1 PIPE |
| 322852250 | 1 PIPE |
| 322852300 | 1 BLOCK |
| 322852400 | 1 JACK |
| 322854750 | 1 ELECTRO-VA |
| 322859650 | 1 COTTER |
| 322859850 | 1 COTTER |
| 340481810 | 1 CLAMP |

Engine

MTB "AL" 2450 AL (277391001_277411003)



CONNECTING ROD

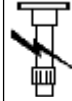


1907772
1907773
1907774
4722162
4803660
4821454

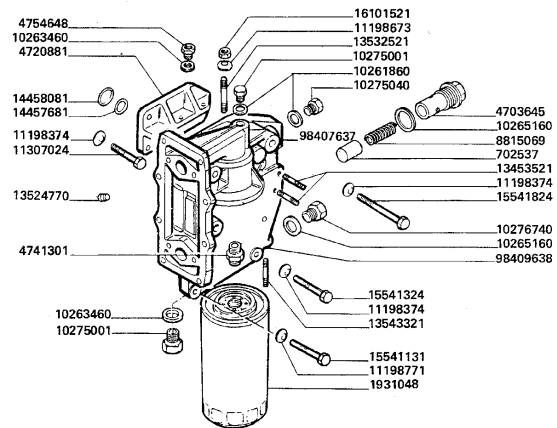
1 SET OF MAI
1 SET OF MAI
1 SET OF MAI
1 SCREW
1 BUSH
1 PISTON ROD

Engine

MTB "AL" 2450 AL (277391001_277411003)



LUBE OIL FILTERS

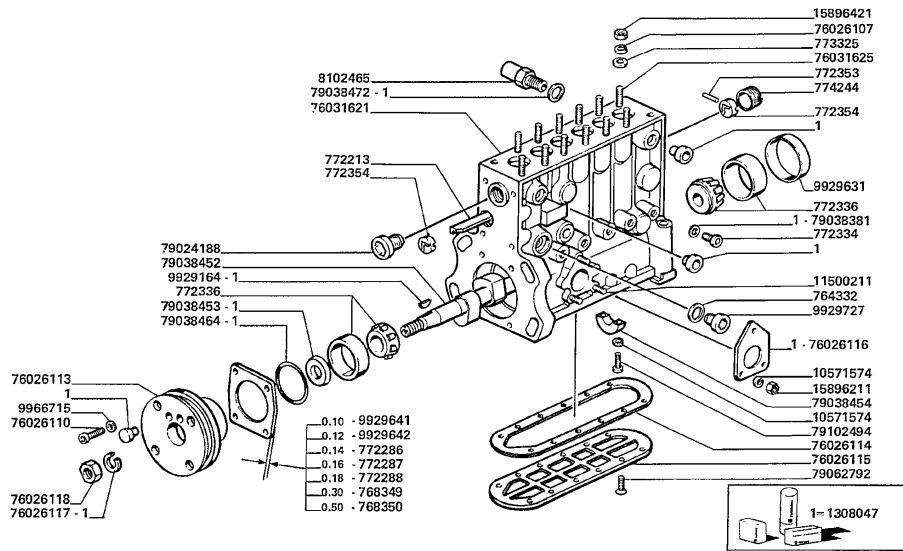
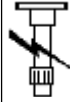


10261860		1 GASKET
10263460		2 GASKET
10265160		2 GASKET
10275001		2 PLUG
10275040		1 PLUG
10276740		1 PLUG
11198374		3 LOCK WASHE
11198673	● 000111907740 (1)	1 LOCK WASHE
11198771		1 LOCK WASHE
11307024		1 SCREW
13453521		1 STUD
13524770		1 INSERT
13532521		2 STUD
14457081		2 O-RING
15541131		1 SCREW
15541324		1 SCREW
15541824		1 SCREW
16101521		1 NUT
1931048		1 FILTER
4703645		1 BODY
4720881		1 SUPPORT
4741301		1 UNION
4754648		1 UNION
702537		1 VALVE
8815069		1 SPRING
98407637		1 SUPPORT
98409638		1 SUPPORT

Engine

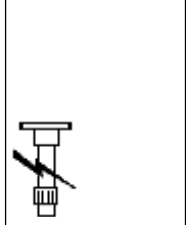
INJECTION PUMP page1

MTB "AL" 2450 AL (277391001_277411003)



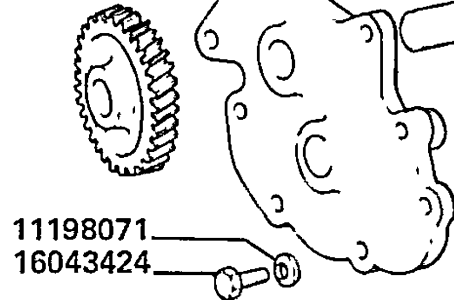
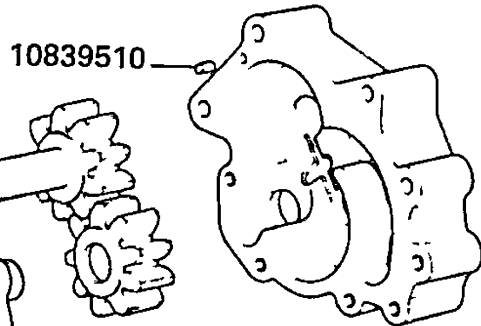
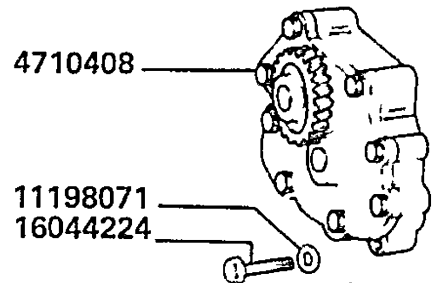
- 10571574
 - 11500211
 - 1308047
 - 15896211
 - 15896421
 - 76026107
 - 76026110
 - 76026113
 - 76026114
 - 76026115
 - 76026116
 - 76026117
 - 76026118
 - 76031621
 - 76031625
 - 76062792
 - 764332
 - 768349
 - 768350
 - 772213
 - 772286
 - 772287
 - 772288
 - 772326
 - 772334
 - 772336
 - 772353
 - 772354
 - 773325
 - 774244
 - 79024188
- 2 LOCK WASHE
 - 1 STUD
 - 1 KIT, MISC
 - 1 NUT
 - 1 NUT
 - 1 LOCK WASHE
 - 1 SCREW
 - 1 FLANGE
 - 1 COVER
 - 1 GASKET
 - 1 GASKET
 - 1 LOCK WASHE
 - 1 NUT
 - 1 BODY
 - 1 PIN
 - 1 0 - MANCA
 - 1 REPLACE
 - 1 PLATE
 - 1 PLATE
 - 1 ROD
 - 1 SHIM
 - 1 SHIM
 - 1 SHIM
 - 1 SHIM
 - 1 0 - MANCA
 - 1 PLUG
 - 1 BEARING
 - 1 PLUG
 - 2 BUSH
 - 1 LOCK WASHE
 - 1 FERRULE
 - 1 REPLACE
- 000158964110 (1)
 - 000112709600 (1)
 - 000752041120 (1)

Engine



LUBE OIL PUMP

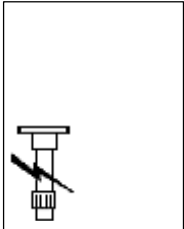
MTB "AL" 2450 AL (277391001_277411003)



- | | | |
|----------|--------------------|--------------|
| 10839510 | | 1 DOWEL |
| 11198071 | ● 003555009150 (1) | 1 LOCK WASHE |
| 16043424 | | 1 SCREW |
| 16044224 | | 1 SCREW |
| 4710408 | | 1 OIL PUMP |

Engine

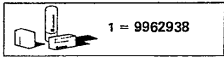
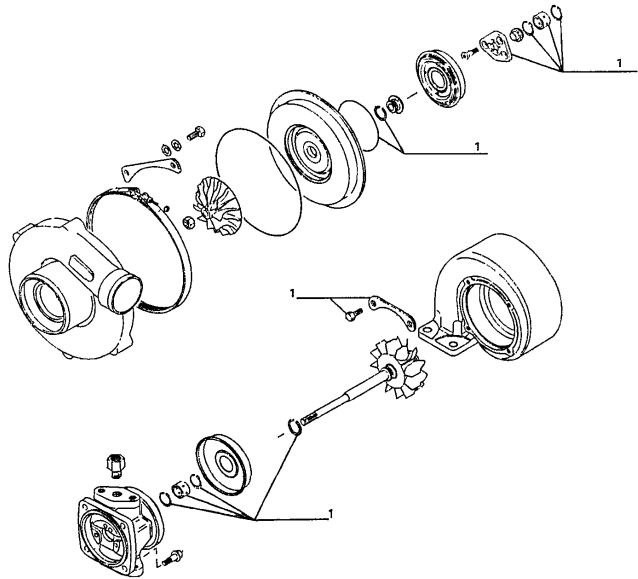
MTB "AL" 2450 AL (277391001_277411003)



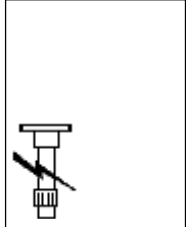
SUPERCHARGING SYSTEM 8108015 (HOLSET)

9962938

1 KIT, MISC

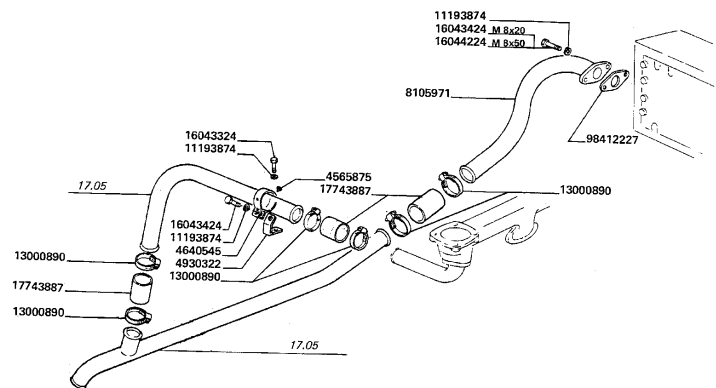


Engine



COOLING LINES page2

MTB "AL" 2450 AL (277391001_277411003)



- | | |
|----------|--------------|
| 11193874 | 3 LOCK WASHE |
| 1300890 | 6 0 - MANCA |
| 16043324 | 1 SCREW |
| 16043424 | 2 SCREW |
| 16044224 | 1 SCREW |
| 17743887 | 2 SLEEVE |
| 4565875 | 1 GASKET |
| 4640545 | 1 COLLAR |
| 4930322 | 1 BRACKET, S |
| 8105971 | 1 ELBOW |
| 98412227 | 1 GASKET |

CLICK HERE TO **DOWNLOAD** THE COMPLETE MANUAL

- Thank you very much for reading the preview of the manual.
- You can download the complete manual from: www.heydownloads.com by clicking the link below



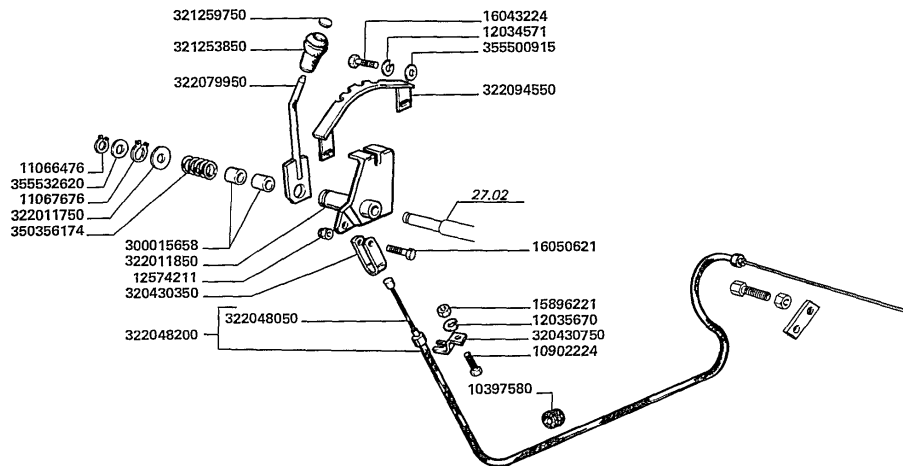
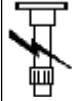
- Please note: If there is no response to CLICKING the link, please download this PDF first and then click on it.

CLICK HERE TO **DOWNLOAD** THE COMPLETE MANUAL

ENGINE INSTALLATION

ENGINE INSTALLATION page3

MTB "AL" 2450 AL (277391001_277411003)

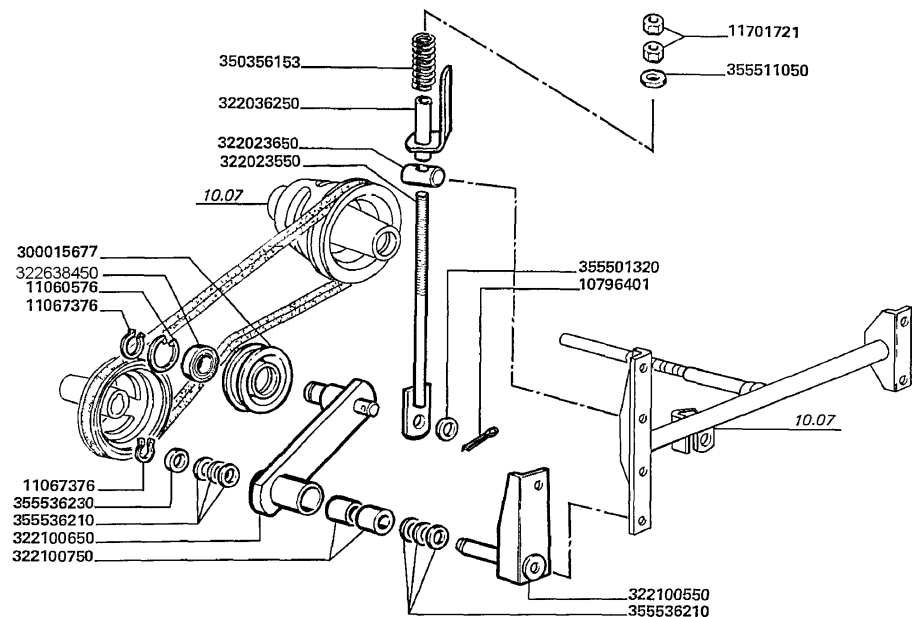
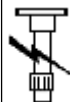


- | | | |
|-----------|--------------------|--------------|
| 10397580 | | 1 RING |
| 10902224 | | 1 SCREW |
| 11066476 | | 1 SPRING LOC |
| 11067676 | | 1 SPRING LOC |
| 12034571 | | 1 LOCK WASHE |
| 12035670 | ● 000120356710 (1) | 1 LOCK WASHE |
| 12574211 | | 1 NUT |
| 15896221 | | 1 NUT |
| 16043224 | | 1 SCREW |
| 16050621 | | 1 SCREW |
| 300015658 | | 1 BUSH |
| 320430350 | | 1 BRIDLE |
| 320430750 | | 1 BRACKET, S |
| 321253850 | | 1 HANDLE GRI |
| 321259750 | | 1 PLUG |
| 322011750 | | 1 WASHER |
| 322011850 | | 1 SUPPORT |
| 322048050 | | 1 ROPE |
| 322048200 | | 1 CABLE |
| 322079950 | | 1 LEVER |
| 322094550 | | 1 SECTOR |
| 350356174 | | 1 SPRING |
| 355500915 | | 1 WASHER |
| 355532620 | | 1 WASHER |

ENGINE INSTALLATION

FILTER TRANSMISSION RADIATOR page2

MTB "AL" 2450 AL (277391001_277411003)

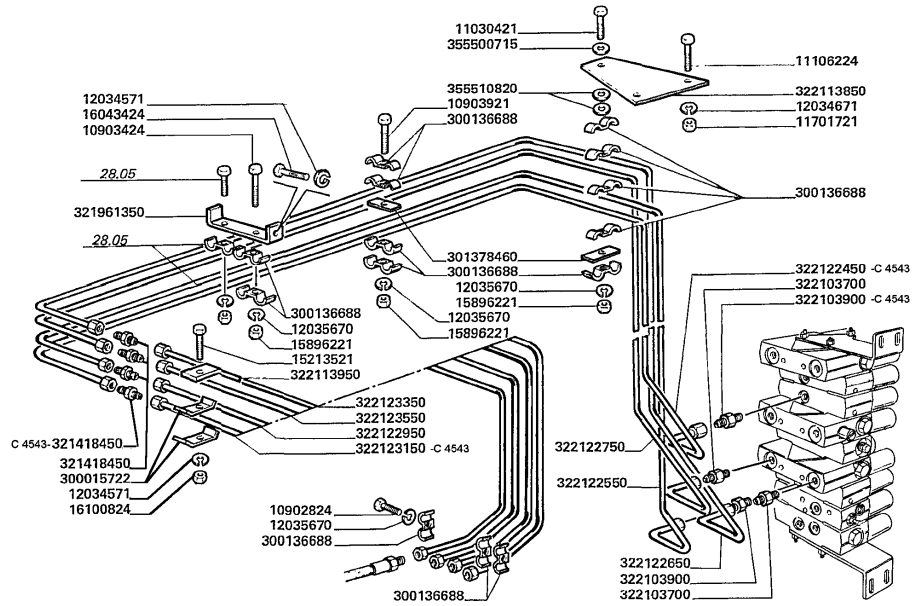


- | | |
|-----------|--------------|
| 10796401 | 1 LINCH PIN |
| 11060576 | 1 SPRING LOC |
| 11067376 | 2 SPRING LOC |
| 11701721 | 2 NUT |
| 300015677 | 1 GEAR |
| 322023550 | 1 TIE-ROD |
| 322023650 | 1 BALL JOINT |
| 322036250 | 1 SPACER |
| 322100550 | 1 ANCHOR |
| 322100650 | 1 SUPPORT |
| 322100750 | 1 BEARING |
| 322638450 | 1 BEARING |
| 350356153 | 1 SPRING |
| 355501320 | 1 WASHER |
| 355511050 | 1 WASHER |
| 355536210 | 2 WASHER |
| 355536230 | 1 WASHER |

HYDRAULIC SYSTEM

REEL CIRCUIT HYDRAULIC page1

MTB "AL" 2450 AL (277391001_277411003)

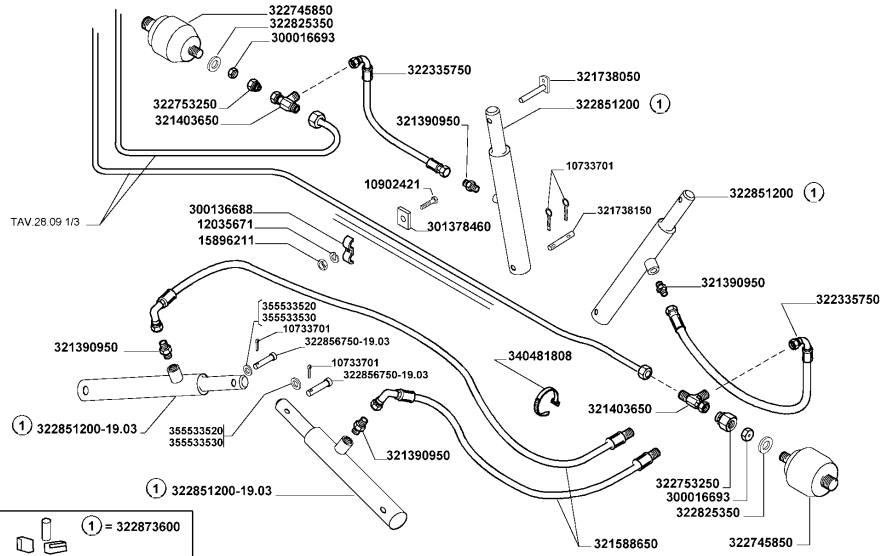
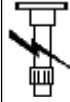


- | | | | |
|-----------|--------------------|---|------------|
| 10902824 | | 1 | SCREW |
| 10903424 | | 1 | SCREW |
| 10903921 | | 1 | SCREW |
| 11030421 | | 1 | SCREW |
| 11106221 | | 1 | SCREW |
| 11701721 | | 1 | NUT |
| 12034571 | | 2 | LOCK WASHE |
| 12034671 | | 1 | LOCK WASHE |
| 12035670 | ● 000120356710 (4) | 4 | LOCK WASHE |
| 15213521 | | 1 | SCREW |
| 15896221 | | 1 | NUT |
| 16043424 | | 1 | SCREW |
| 16100811 | | 1 | NUT |
| 300015722 | | 1 | BRIDLE |
| 300136688 | | 6 | BRIDLE |
| 300137846 | | 1 | TIE-ROD |
| 321418450 | | 1 | UNION |
| 321961350 | | 1 | BRIDLE |
| 322103700 | | 1 | UNION |
| 322103900 | | 1 | UNION |
| 322113850 | | 1 | SUPPORT |
| 322113950 | | 1 | SUPPORT |
| 322122550 | | 1 | PIPE |
| 322122650 | | 1 | PIPE |
| 322122750 | | 1 | PIPE |
| 322122950 | | 1 | PIPE |
| 322123350 | | 1 | PIPE |
| 322123550 | | 1 | PIPE |
| 355500715 | | 1 | WASHER |
| 355510820 | | 1 | WASHER |

HYDRAULIC SYSTEM

CUTTER BAR LEVELLING SYSTEM page 2

MTB "AL" 2450 AL (277391001_277411003)



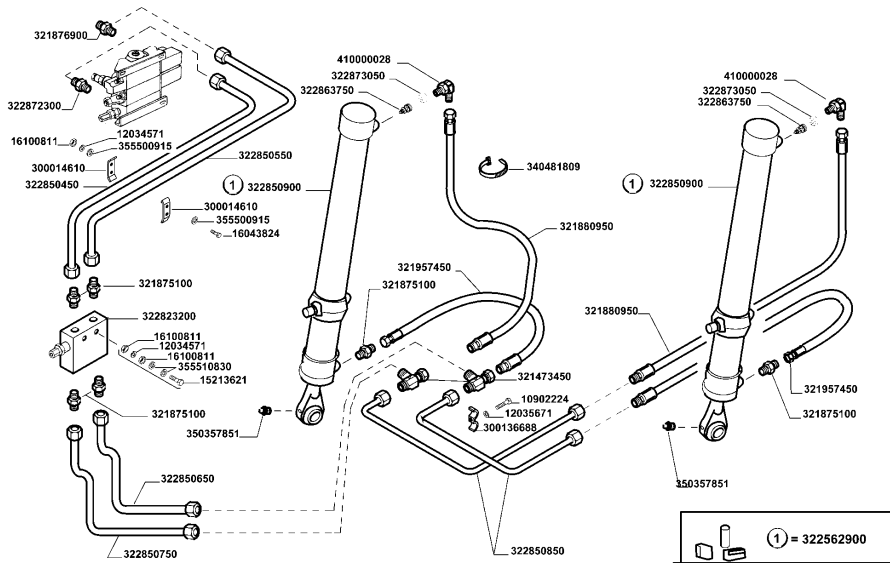
- | | |
|-----------|--------------|
| 10733701 | 4 LINCH PIN |
| 10902421 | 1 SCREW |
| 12035671 | 1 LOCK WASHE |
| 15896211 | 1 NUT |
| 300016693 | 2 VALVE |
| 300136688 | 1 BRIDLE |
| 301378460 | 1 BRIDLE |
| 321390950 | 4 UNION |
| 321403650 | 2 UNION |
| 321588650 | 2 HOSE |
| 321738050 | 1 COTTER |
| 321738150 | 1 DOWEL |
| 322233750 | 2 PLATE |
| 322745850 | 2 HYDRAULIC |
| 322753250 | 2 CONTROL BL |
| 322825350 | 2 WASHER |
| 322851200 | 4 CYLINDER |
| 322856750 | 2 COTTER |
| 322873600 | 1 KIT SEALS |
| 340481808 | 1 CLAMP |
| 355533520 | 2 WASHER |
| 355533530 | 2 WASHER |

● 003404818090 (1)

HYDRAULIC SYSTEM

TUBING SYSTEM OF LONGITUDINAL LEVELING page 1

MTB "AL" 2450 AL (277391001_277411003)

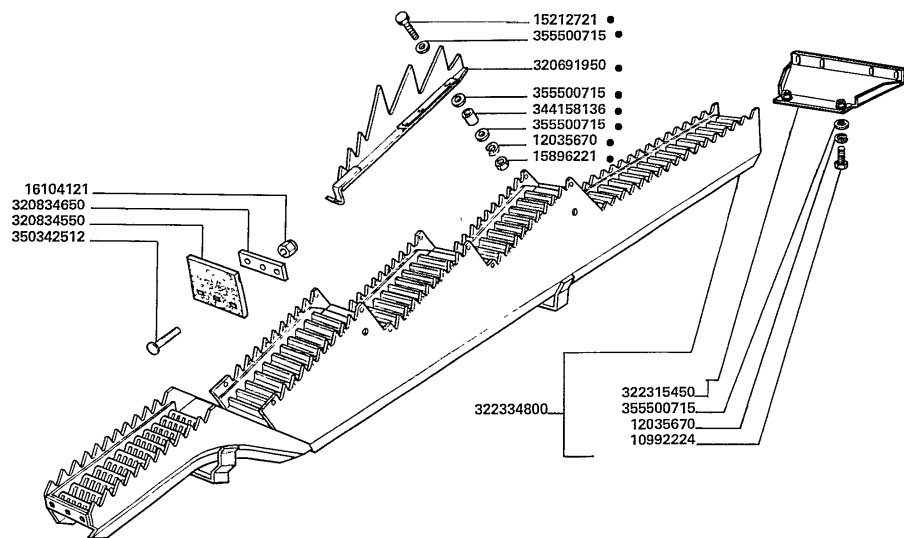
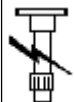


- | | | |
|-----------|---|------------|
| 10902224 | 1 | SCREW |
| 12034571 | 2 | LOCK WASHE |
| 12035671 | 1 | LOCK WASHE |
| 15213621 | 1 | SCREW |
| 16043824 | 1 | SCREW |
| 16100811 | 3 | NUT |
| 300014610 | 2 | BRIDLE |
| 300136688 | 1 | BRIDLE |
| 321473450 | 1 | UNION |
| 321875100 | 4 | UNION |
| 321876900 | 1 | UNION |
| 321880950 | 2 | HOSE |
| 321957450 | 2 | HOSE |
| 322562900 | 1 | KIT SEALS |
| 322823200 | 1 | BLOCK |
| 322850450 | 1 | PIPE |
| 322850550 | 1 | PIPE |
| 322850650 | 1 | PIPE |
| 322850750 | 1 | PIPE |
| 322850850 | 2 | PIPE |
| 322850900 | 1 | JACK |
| 322863750 | 2 | VALVE |
| 322872300 | 1 | UNION |
| 322873050 | 1 | CUP |
| 340481809 | 1 | CLAMP |
| 350357851 | 2 | NIPPLE, LU |
| 355500915 | 2 | WASHER |
| 355510830 | 1 | WASHER |
| 410000028 | 2 | UNION |

STRAW WALKERS

STRAW WALKER

MTB "AL" 2450 AL (277391001_277411003)

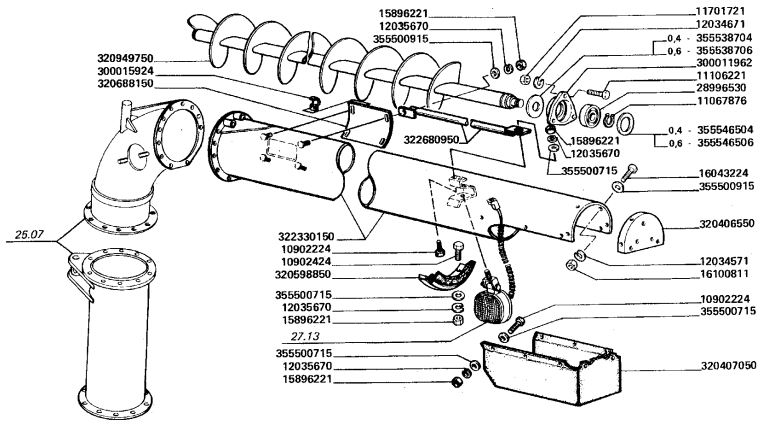


- | | | |
|-----------|--------------------|--------------|
| 10902224 | | 1 SCREW |
| 12035670 | ● 000120356710 (2) | 2 LOCK WASHE |
| 15212721 | | 1 SCREW |
| 15896221 | | 1 NUT |
| 16104121 | | 1 NUT |
| 320691950 | | 1 STRAW ELEV |
| 320834550 | | 1 PANEL |
| 320834650 | | 1 STRAP |
| 322315450 | | 1 PANEL |
| 322334800 | | 1 STRAW WALK |
| 344158136 | | 1 BUSH |
| 350342512 | | 1 SCREW |
| 355500715 | | 4 WASHER |

Tank and fairings

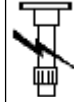
BODY, R.H. FOR ENGINE page4

MTB "AL" 2450 AL (277391001_277411003)



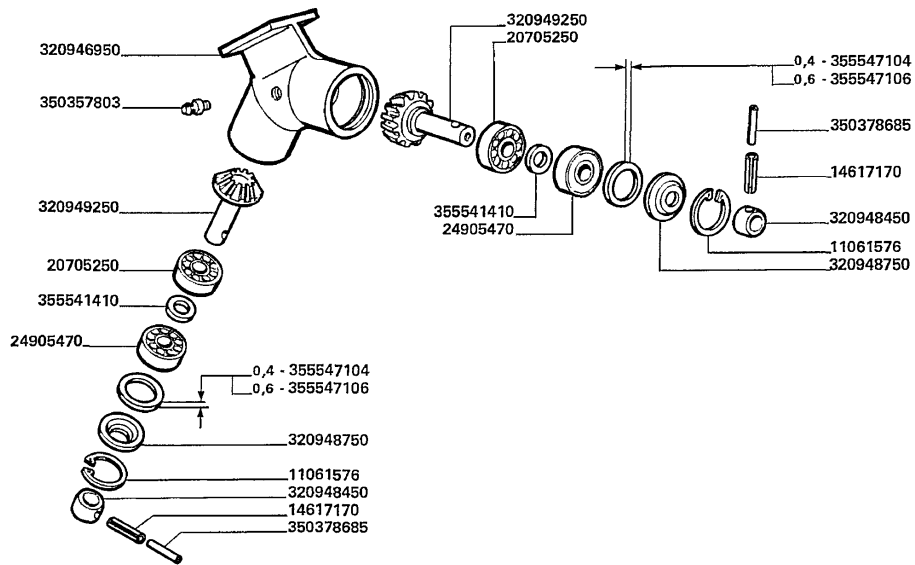
- | | |
|-----------|---------------|
| 12034571 | 42 LOCK WASHE |
| 15213524 | 4 SCREW |
| 16043624 | 12 SCREW |
| 16043824 | 4 SCREW |
| 16044324 | 6 SCREW |
| 16100811 | 21 NUT |
| 16104121 | 4 NUT |
| 322140450 | 2 GROMMET |
| 322607450 | 1 COVER |
| 322629250 | 1 PROFILE |
| 322800050 | 1 SHIELD |
| 322800150 | 1 PIPE PROTE |
| 322800250 | 1 SUPPORT |
| 322800350 | 1 SUPPORT |
| 322800450 | 1 REINFORCEM |
| 322803450 | 1 REINFORCEM |
| 322803550 | 2 SPACER |
| 355500920 | 8 WASHER |
| 355510820 | 42 WASHER |

Tank and fairings



UPPER CASE ELEMENTS

MTB "AL" 2450 AL (277391001_277411003)

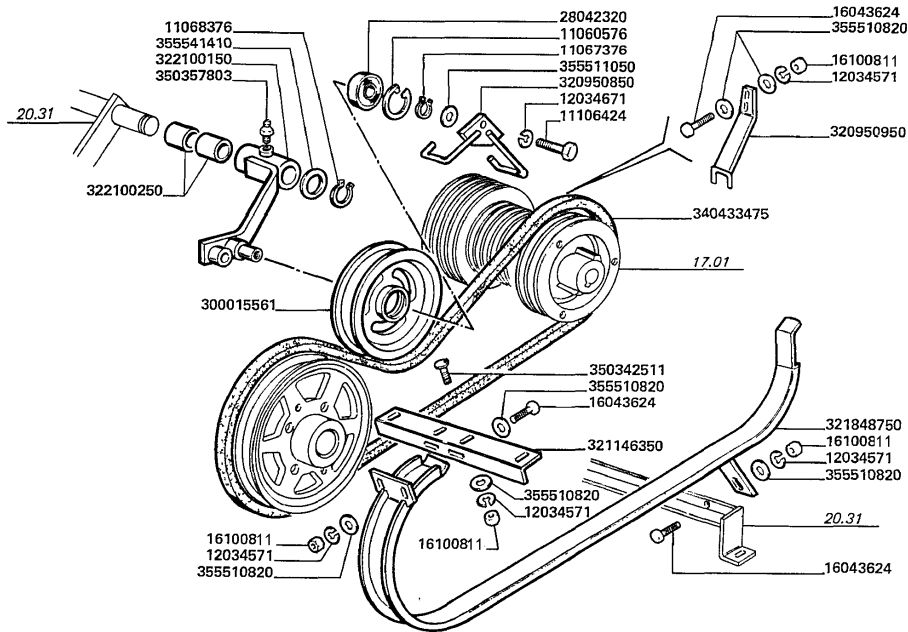
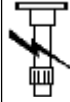


- | | | |
|-----------|---|------------|
| 11061576 | 2 | SPRING LOC |
| 14617170 | 2 | PLUG |
| 20705250 | 2 | BEARING |
| 24905470 | 1 | BEARING |
| 320946950 | 1 | BOX |
| 320948450 | 2 | BALL JOINT |
| 320948750 | 2 | PROTECTION |
| 320949250 | 2 | PINION |
| 350357803 | 1 | NIPPLE, LU |
| 350378685 | 2 | PLUG |
| 355541410 | 2 | WASHER |
| 355547104 | 2 | WASHER |
| 355547106 | 2 | WASHER |

Tank and fairings

DRIVE AND UNLOADING TANK CLUTCH page2

MTB "AL" 2450 AL (277391001_277411003)

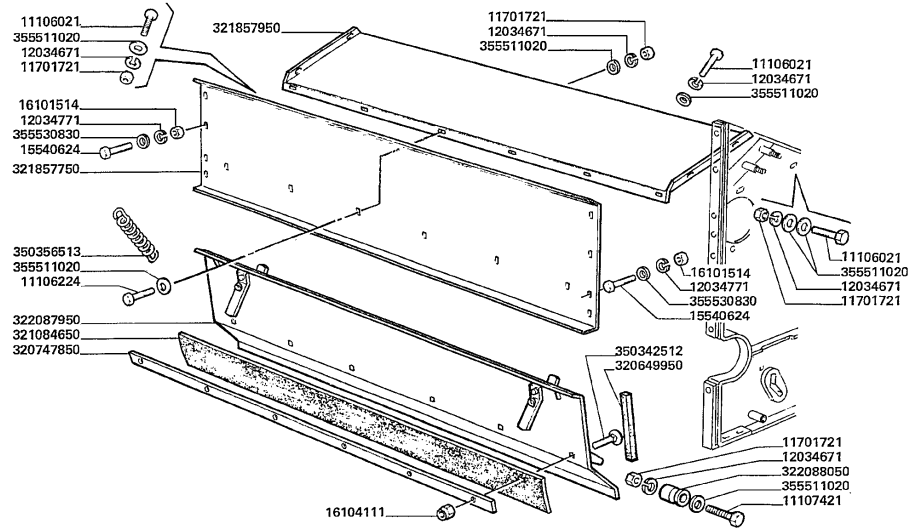


- | | | |
|-----------|---|------------|
| 11060576 | 1 | SPRING LOC |
| 11067376 | 1 | SPRING LOC |
| 11068376 | 1 | SPRING LOC |
| 11106021 | 1 | SCREW |
| 11106424 | 1 | SCREW |
| 11701721 | 1 | NUT |
| 12034571 | 4 | LOCK WASHE |
| 12034671 | 4 | LOCK WASHE |
| 16043424 | 1 | SCREW |
| 16043624 | 2 | SCREW |
| 16100811 | 4 | NUT |
| 28042320 | 1 | BEARING |
| 300015561 | 1 | GEAR |
| 320950950 | 1 | YOKE |
| 321848750 | 1 | SKATE |
| 322026850 | 1 | BAIL |
| 322100150 | 1 | SUPPORT |
| 322100250 | 2 | BEARING |
| 322784350 | 1 | SUPPORT |
| 322792750 | 1 | ANGULAR |
| 340433475 | 1 | BELT |
| 350342511 | 1 | SCREW |
| 350357803 | 1 | NIPPLE, LU |
| 355510820 | 4 | WASHER |
| 355511050 | 1 | WASHER |
| 355541410 | 1 | WASHER |

Thresher

DRUM HOUSING page1

MTB "AL" 2450 AL (277391001_277411003)

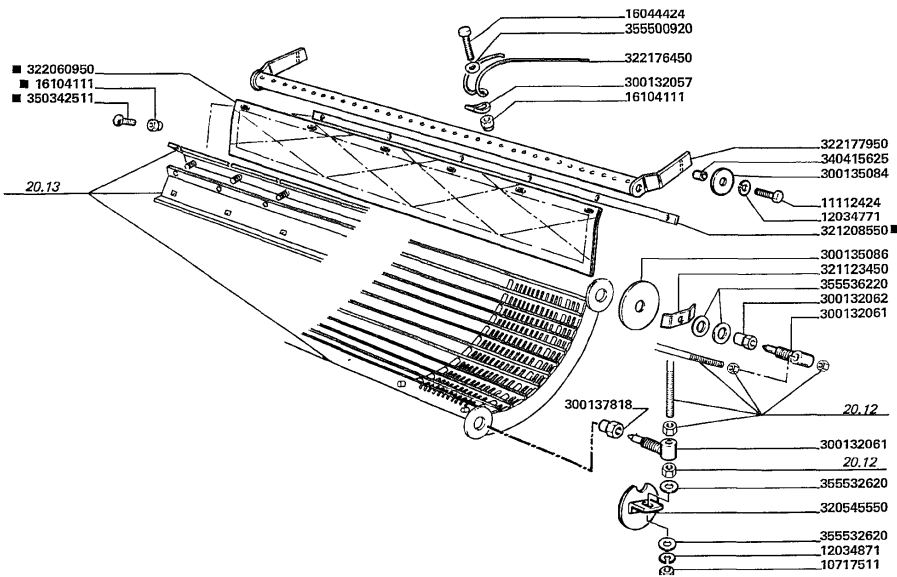
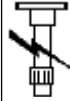


- | | |
|-----------|---------------|
| 11106021 | 24 SCREW |
| 11106224 | 0 SCREW |
| 11107421 | 2 SCREW |
| 11701721 | 28 NUT |
| 12034671 | 38 LOCK WASHE |
| 12034771 | 16 LOCK WASHE |
| 15540624 | 9 SCREW |
| 16101514 | 20 NUT |
| 16104111 | 8 NUT |
| 320649950 | 2 GASKET |
| 320747850 | 1 STRAP |
| 321084650 | 1 GASKET |
| 321857750 | 1 WALL |
| 321857950 | 1 ROOF |
| 322087950 | 1 HATCH |
| 322088050 | 2 PIN |
| 350342512 | 8 SCREW |
| 350356513 | 2 SPRING |
| 355511020 | 40 WASHER |
| 355530830 | 18 WASHER |
- 000155406240 (9)

Thresher

CONVEYING CONCAVE page2

MTB "AL" 2450 AL (277391001_277411003)

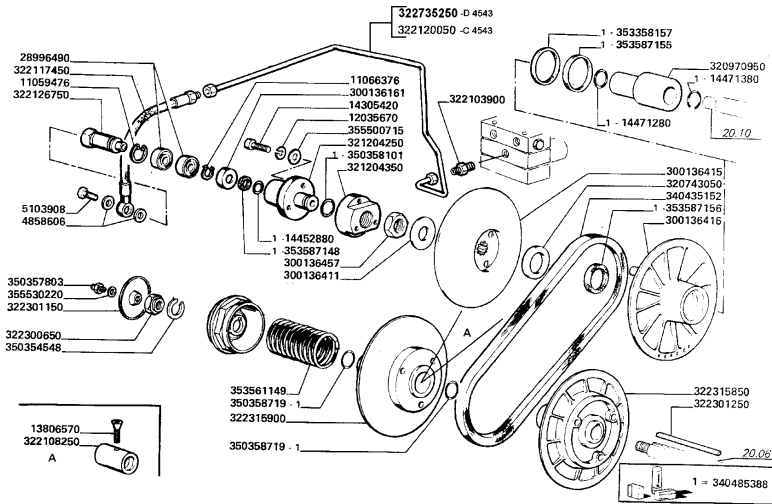


- | | |
|-----------|--------------|
| 10717511 | 2 NUT |
| 11112424 | 2 SCREW |
| 12034771 | 5 LOCK WASHE |
| 12034871 | 2 LOCK WASHE |
| 16044424 | 24 SCREW |
| 16104111 | 36 NUT |
| 300132057 | 24 STRAP |
| 300132061 | 4 PIN |
| 300132062 | 2 NUT |
| 300135084 | 2 WASHER |
| 300135086 | 2 WASHER |
| 300137818 | 2 NUT |
| 320545550 | 2 PANEL |
| 321123450 | 2 PLATE |
| 321208550 | 1 STRAP |
| 322060950 | 1 CANVAS |
| 322176450 | 24 TINE |
| 322177950 | 1 FRAME |
| 340415625 | 2 BUSH |
| 350342511 | 6 SCREW |
| 35550920 | 24 WASHER |
| 355532620 | 4 WASHER |
| 355536220 | 4 WASHER |

Thresher

DRUM VARIATOR

MTB "AL" 2450 AL (277391001_277411003)



- | | |
|-----------|--------------|
| 350357803 | 1 NIPPLE, LU |
| 350358101 | 1 GASKET |
| 350358719 | 2 GASKET |
| 353561149 | 1 SPRING |
| 353587148 | 1 RING |
| 353587155 | 1 GASKET |
| 353587156 | 1 GASKET |
| 353587157 | 1 GASKET |
| 355500715 | 3 WASHER |
| 355530220 | 1 WASHER |
| 4858606 | 2 WASHER |
| 5103908 | 1 SCREW |

Transmission

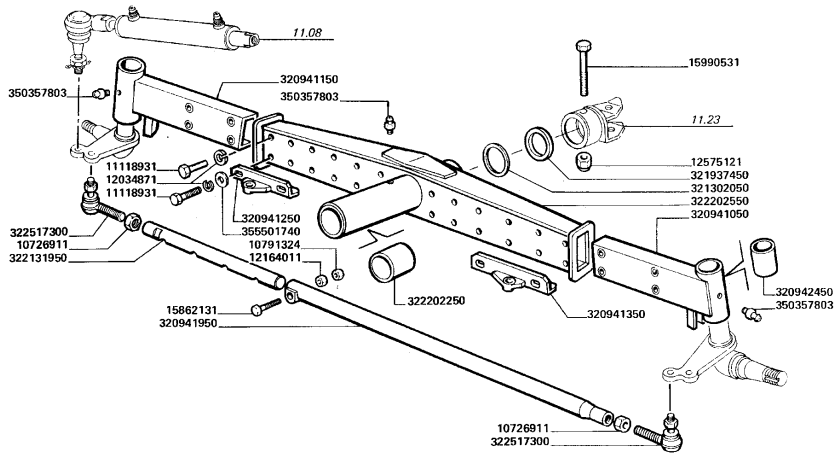
REAR AXLE page 5

MTB "AL" 2450 AL (277391001_277411003)



10795401
12034771
12575111
15540521
320555250
321730250
322937650
322937750
360652736

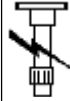
1 LINCH PIN
4 LOCK WASHE
1 NUT
4 SCREW
1 SPACER
1 AXLE CARRI
1 PIN
1 WASHER
1 NUT



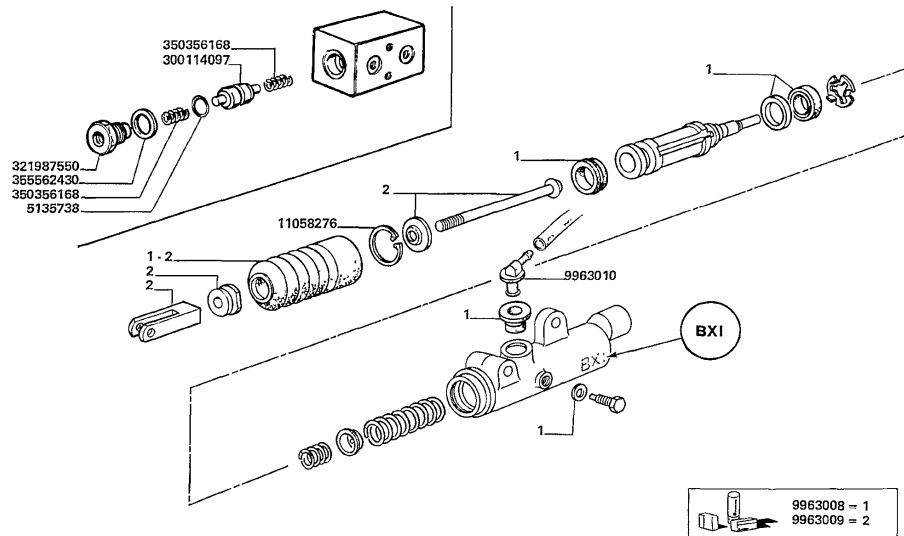
Transmission

PUMP ELEMENTS AND BRAKE COMPANSATION VAL

MTB "AL" 2450 AL (277391001_277411003)



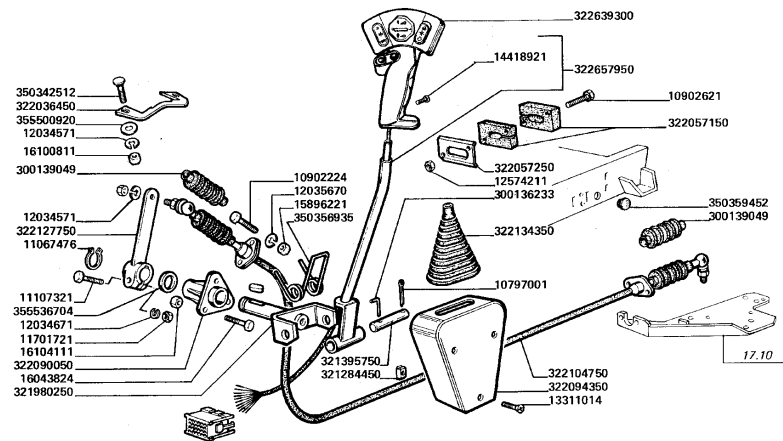
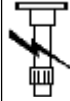
- | | |
|-----------|----------|
| 300114907 | 1 PIPE |
| 321987550 | 1 PLUG |
| 350356168 | 1 SPRING |
| 355562430 | 1 WASHER |
| 5135738 | 1 O-RING |



Transmission

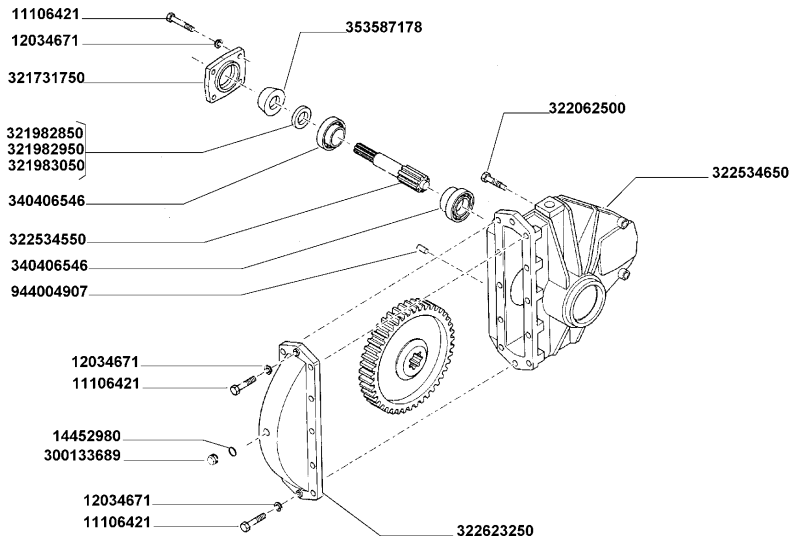
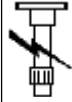
MULTIFUNCTIONS LEVER FOR HYDROSTATIC TRACTION

MTB "AL" 2450 AL (277391001_277411003)



- | | | |
|-----------|---|------------|
| 10797001 | 1 | LINCH PIN |
| 10902224 | 1 | SCREW |
| 10902621 | 1 | SCREW |
| 11067476 | 1 | SPRING LOC |
| 11107321 | 1 | SCREW |
| 11701721 | 1 | NUT |
| 12034571 | 2 | LOCK WASHE |
| 12034671 | 1 | LOCK WASHE |
| 12035670 | 1 | LOCK WASHE |
| 12574211 | 1 | NUT |
| 13311014 | 1 | SCREW |
| 14418921 | 1 | SCREW |
| 15896221 | 1 | NUT |
| 16043824 | 1 | SCREW |
| 16100811 | 1 | NUT |
| 16104111 | 1 | NUT |
| 300136233 | 1 | DOWEL |
| 300139049 | 2 | SLEEVE |
| 321284450 | 1 | NUT |
| 321395750 | 1 | DOWEL |
| 321980250 | 1 | PIN |
| 322036450 | 1 | SECTOR |
| 322057150 | 2 | GASKET |
| 322057250 | 1 | STRAP |
| 322090050 | 1 | SUPPORT |
| 322094350 | 1 | SHIELD |
| 322104750 | 1 | CABLE |
| 322127750 | 1 | LEVER |
| 322134350 | 1 | BELLOWS |
| 322639300 | 1 | HANDLE GRI |
| 322657950 | 1 | LEVER |
| 350342512 | 1 | SCREW |
| 350356935 | 1 | SPRING |

MTB "AL" 2450 AL (277391001_277411003)

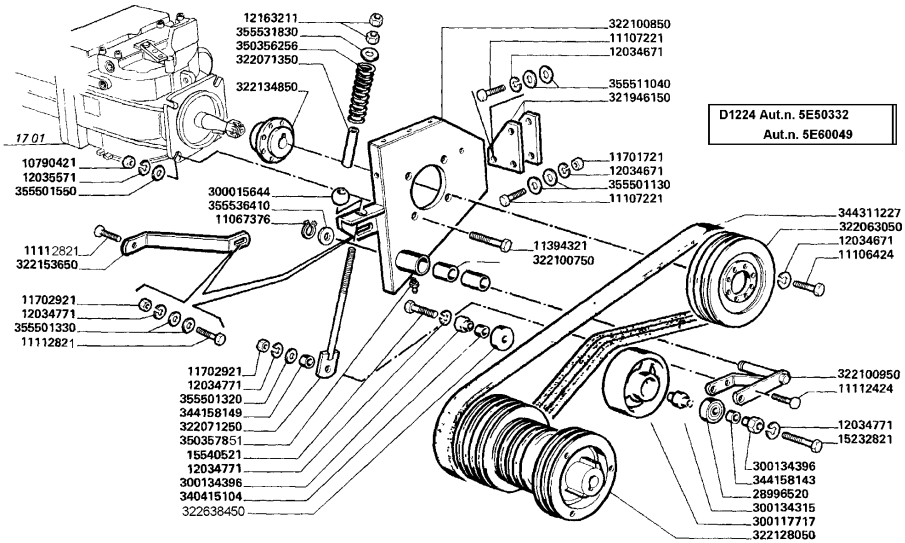
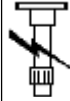


- | | | | |
|-----------|--------------------|---|-------------|
| 11106421 | | 1 | SCREW |
| 12034671 | | 3 | LOCK WASHER |
| 14452980 | ● 000144529810 (1) | 1 | O-RING |
| 300133689 | | 1 | PLUG |
| 321731750 | | 1 | FLANGE |
| 321982850 | | 1 | WASHER |
| 321982950 | | 1 | WASHER |
| 321983050 | | 1 | WASHER |
| 322062500 | | 1 | PLUG |
| 322534550 | | 1 | SHAFT |
| 322534650 | | 1 | BOX |
| 322623250 | | 1 | COVER BOX |
| 340406546 | | 2 | BEARING |
| 353587178 | | 1 | GASKET |
| 944004907 | | 1 | DOWEL |

Transmission

PUMP DRIVE page1

MTB "AL" 2450 AL (277391001_277411003)



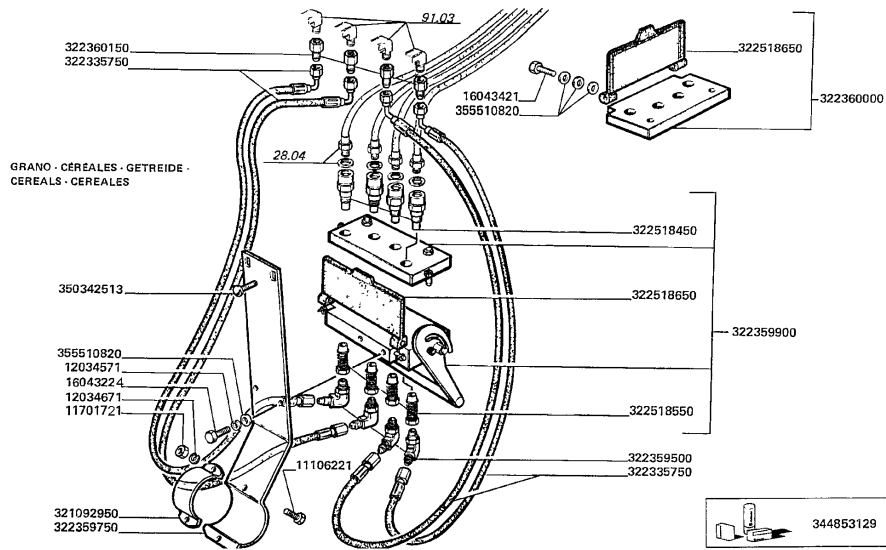
- | | | |
|-----------|---|------------|
| 10790421 | 1 | NUT |
| 11067376 | 1 | SPRING LOC |
| 11106424 | 1 | SCREW |
| 11107221 | 2 | SCREW |
| 11112424 | 1 | SCREW |
| 11112821 | 2 | SCREW |
| 11394321 | 1 | SCREW |
| 11702921 | 3 | NUT |
| 12034671 | 1 | LOCK WASHE |
| 12034771 | 5 | LOCK WASHE |
| 12035571 | 1 | LOCK WASHE |
| 12163211 | 2 | NUT |
| 15540521 | 1 | SCREW |
| 300015644 | 1 | TRACK ROD |
| 300117717 | 1 | GEAR |
| 300134315 | 1 | PIN |
| 300134396 | 2 | BUSH |
| 321946150 | 1 | SHIM |
| 322063050 | 1 | PULLEY |
| 322071250 | 1 | TIE-ROD |
| 322071350 | 1 | BUSH |
| 322100750 | 2 | BEARING |
| 322100850 | 1 | SUPPORT |
| 322100950 | 1 | YOKE |
| 322134850 | 1 | HUB |
| 322153650 | 1 | STRUT |
| 322225450 | 1 | SHIM |
| 322388250 | 1 | PULLEY |
| 322638450 | 2 | BEARING |
| 340415104 | 1 | BUSH |
| 344158143 | 1 | BUSH |
| 344158149 | 1 | BUSH |
| 344311227 | 1 | BELT |

VARIATIONS

MTB "AL" 2450 AL (277391001_277411003)



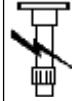
CUTTING TABLE BLOCK QUICK RELEASE COUPLI



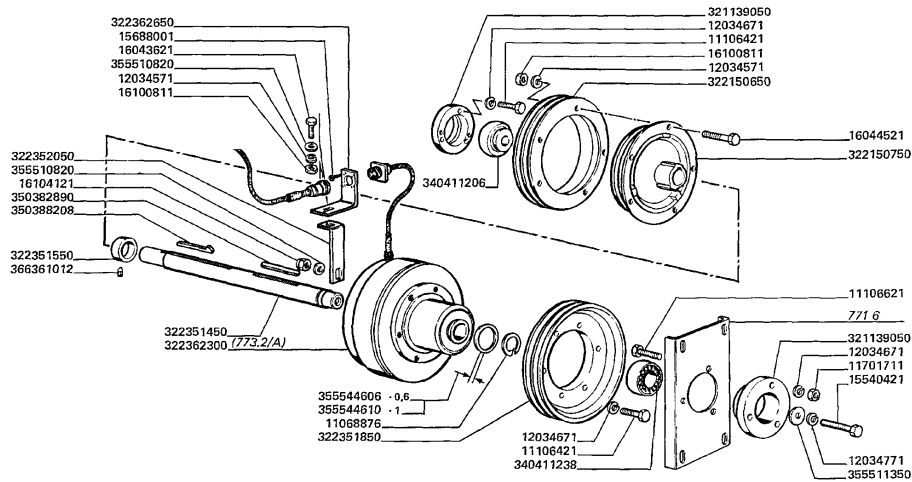
- | | |
|-----------|--------------|
| 11106221 | 1 SCREW |
| 11701711 | 1 NUT |
| 14306321 | 2 SCREW |
| 16104111 | 2 NUT |
| 322791850 | 1 SUPPORT |
| 322792250 | 3 HOSE |
| 322792300 | 1 PLATE RETA |
| 322792400 | 1 SUPPORT |
| 322794000 | 1 PLATE |
| 322794450 | 3 COUPLER |
| 322794550 | 3 COUPLER |
| 322794650 | 1 GASKET |
| 340481806 | 1 CLAMP |
| 355501125 | 1 WASHER |
| 355510820 | 1 WASHER |
| 4858606 | 3 WASHER |

VARIATIONS

MTB "AL" 2450 AL (277391001_277411003)



STRAW CHOPPER - ELECTRO-MAGNETIC CLUTCH page1



- | | | |
|-----------|---|------------|
| 11068876 | 1 | SPRING LOC |
| 11106421 | 2 | SCREW |
| 11106621 | 1 | SCREW |
| 11701711 | 1 | NUT |
| 12034571 | 2 | LOCK WASHE |
| 12034671 | 3 | LOCK WASHE |
| 12034771 | 1 | LOCK WASHE |
| 15540421 | 1 | SCREW |
| 15688001 | 1 | SCREW |
| 16043621 | 1 | SCREW |
| 16044521 | 1 | SCREW |
| 16100811 | 2 | NUT |
| 16104121 | 1 | NUT |
| 321139050 | 2 | SUPPORT |
| 322150650 | 1 | PULLEY |
| 322150750 | 1 | PULLEY |
| 322351450 | 1 | MAST |
| 322351550 | 1 | NUT, RING |
| 322351850 | 1 | PULLEY |
| 322352050 | 1 | PLATE |
| 322362300 | 1 | CLUTCH |
| 322362650 | 1 | SUPPORT |
| 340411206 | 1 | BEARING |
| 340411238 | 1 | BEARING |
| 350382890 | 1 | KEY |
| 350388208 | 1 | FLAT KEY |
| 355510820 | 2 | WASHER |
| 355511350 | 1 | WASHER |
| 355544606 | 1 | WASHER |
| 355544610 | 1 | WASHER |
| 366361012 | 1 | SCREW |

CLICK HERE TO **DOWNLOAD** THE COMPLETE MANUAL

- Thank you very much for reading the preview of the manual.
- You can download the complete manual from: www.heydownloads.com by clicking the link below



- Please note: If there is no response to CLICKING the link, please download this PDF first and then click on it.

CLICK HERE TO **DOWNLOAD** THE COMPLETE MANUAL