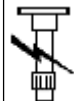


Drive's platform

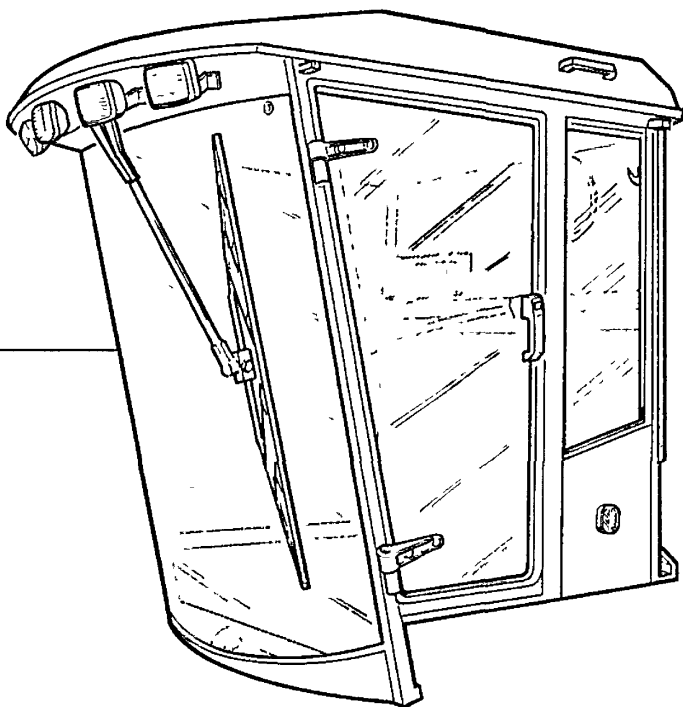


MTB "MCS - LX - 2350 LS
LXE - LS"

CAB - CLIMATIZED CAB

322277000 ● 003227707000 (1) 1 CAB

322277000



CLICK HERE TO **DOWNLOAD** THE COMPLETE MANUAL

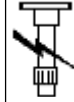
- Thank you very much for reading the preview of the manual.
- You can download the complete manual from: www.heydownloads.com by clicking the link below



- Please note: If there is no response to CLICKING the link, please download this PDF first and then click on it.

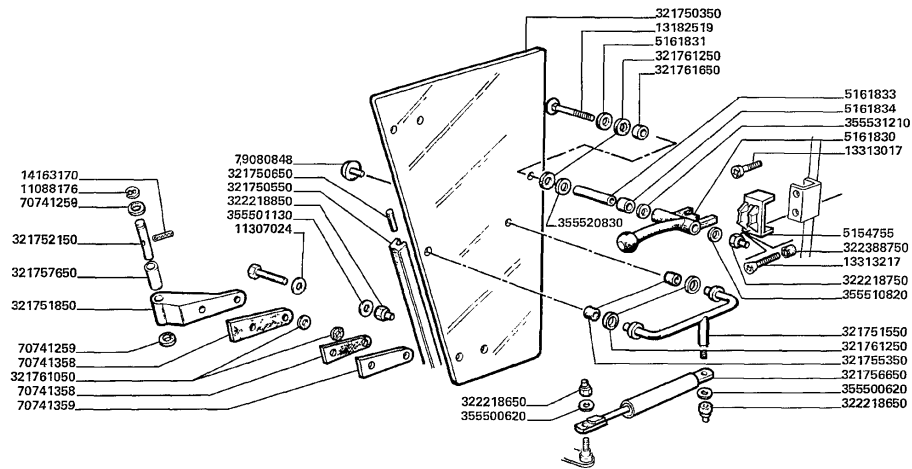
CLICK HERE TO **DOWNLOAD** THE COMPLETE MANUAL

Drive's platform



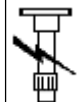
MTB "MCS - LX - 2350 LS
LXE - LS"

CAB - DOOR, RIGHT



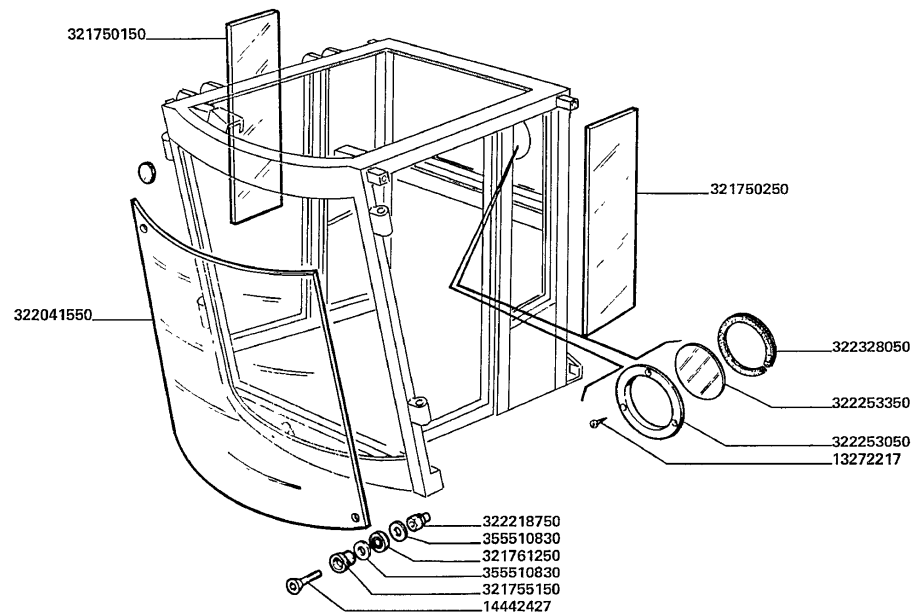
- | | | |
|-----------|--------------------|--------------|
| 11088176 | ● 000110881710 (4) | 4 SPRING LOC |
| 11307024 | | 8 SCREW |
| 13182519 | | 1 SCREW |
| 13313017 | | 1 SCREW |
| 13313217 | | 3 SCREW |
| 14163170 | | 4 PLUG |
| 321750350 | | 1 GLASS ASSY |
| 321750550 | | 2 GASKET |
| 321750650 | | 2 UNIVERSAL |
| 321751550 | | 1 HANDLE |
| 321751850 | | 4 HINGE |
| 321752150 | | 4 PIN |
| 321755350 | | 3 RING |
| 321756650 | | 2 SPRING |
| 321757650 | | 4 BUSH |
| 321761050 | | 16 GASKET |
| 321761250 | | 6 GASKET |
| 321761650 | | 1 SPACER |
| 322218650 | | 1 NUT |
| 322218750 | | 1 NUT |
| 322218850 | | 8 NUT |
| 322388750 | | 1 BUSH |
| 355500620 | ● 003555006150 (6) | 6 WASHER |
| 355501130 | | 6 WASHER |
| 355510820 | | 1 WASHER |
| 355520830 | | 1 WASHER |
| 355531210 | | 1 WASHER |
| 5154755 | | 1 STRAP |
| 5161830 | | 1 HANDLE |
| 5161831 | | 1 LOCK WASHE |
| 5161833 | | 1 PIPE |
| 5161834 | | 1 SPACER |

Drive's platform



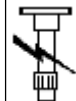
MTB "MCS - LX - 2350 LS
LXE - LS"

CAB - GLASSES



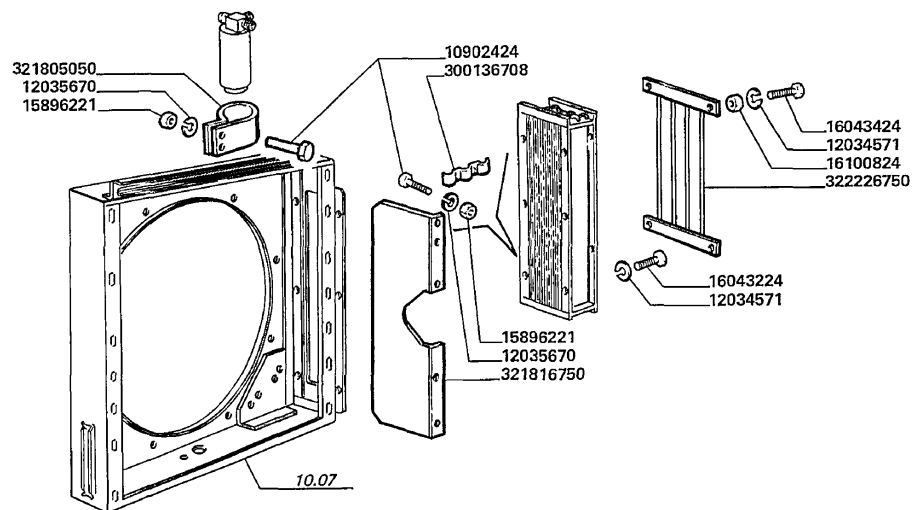
- | | | |
|-----------|---|------------|
| 13272217 | 3 | SCREW |
| 14442427 | 2 | SCREW |
| 321750150 | 1 | GLASS ASSY |
| 321750250 | 1 | GLASS ASSY |
| 321755150 | 2 | BUSH |
| 321761250 | 2 | GASKET |
| 322041550 | 1 | GLASS ASSY |
| 322218750 | 2 | NUT |
| 322253050 | 1 | RING |
| 322253350 | 1 | PLUG |
| 322328050 | 1 | GASKET |
| 355510830 | 4 | WASHER |

Drive's platform



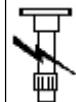
MTB "MCS - LX - 2350 LS
LXE - LS"

CAB INSTALLATION (CONDITIONED)



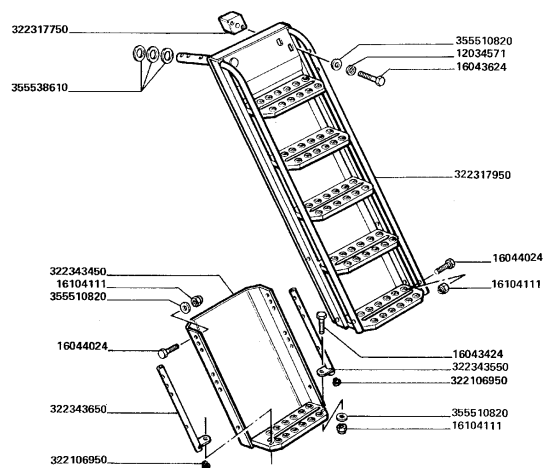
- | | | |
|-----------|---------------------|---------------|
| 10902424 | | 8 SCREW |
| 12034571 | | 22 LOCK WASHE |
| 12035670 | ● 000120356710 (31) | 31 LOCK WASHE |
| 15896221 | | 15 NUT |
| 16043224 | | 15 SCREW |
| 16043424 | | 10 SCREW |
| 16100824 | | 4 NUT |
| 300136708 | | 1 BRIDLE |
| 321805050 | | 1 SUPPORT |
| 321816750 | | 1 SHUNTER |

Drive's platform



MTB "MCS - LX - 2350 LS
LXE - LS"

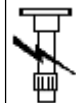
PLATFORM LADDER



12034571
16043424
16043624
16044024
16104111
322106950
322317750
322343450
322343550
322343650
355510820
355538610

8 LOCK WASHE
2 SCREW
2 SCREW
4 SCREW
8 NUT
2 PLUG
1 BLOCK
0 EXTENSION
1 SHIELD
1 SHIELD
14 WASHER
3 WASHER

Eletric system

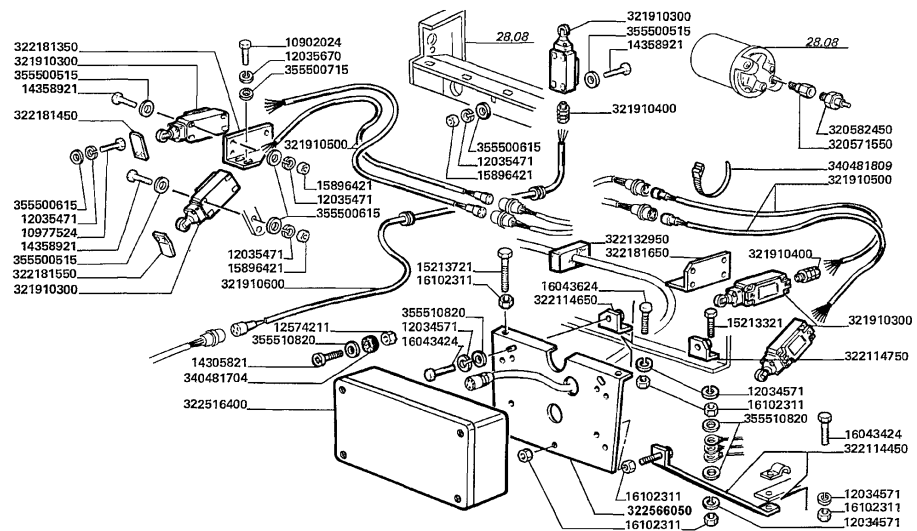


LEVELING CONTROL CIRCUITS

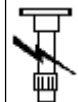
MTB "MCS - LX - 2350 LS
LXE - LS"

355510820

4 WASHER



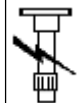
Eletric system



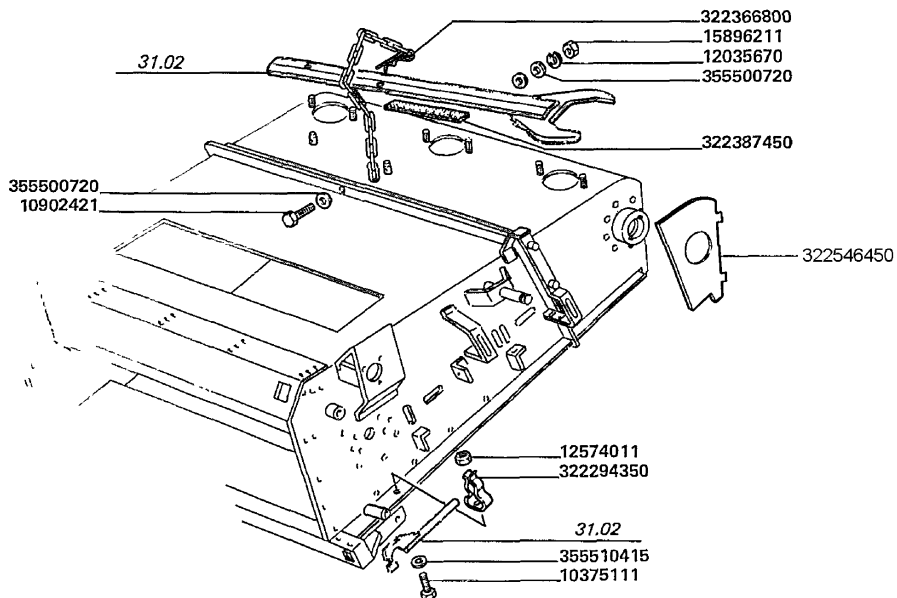
MTB "MCS - LX - 2350 LS
LXE - LS"

FRONT LIGHTING COMPONENTS

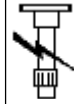
10397780		2 RING
10718021		4 NUT
10857790		2 LAMPADA
10978221		4 SCREW
12035471		7 LOCK WASHE
12057980		2 UNIVERSAL
14142390		2 LAMPADA
14148190		2 LAMPADA
14152090		2 LAMPADA
320461800	● 003227128000 (2) 003278406570 (2)	2 LAMP
320966500		1 LIGHT
320966600		1 LIGHT
320967000		2 INDICATOR
321909200		2 LIGHT
321914950		2 WIRE/CABLE
321919800		1 WIRE/CABLE
321934400		1 WIRE/CABLE
321934500		1 WIRE/CABLE
322712800		2 LAMP
340481810		32 CLAMP
355500615		11 WASHER
355510615		4 WASHER
71316700		2 LENS



MTB "MCS - LX - 2350 LS
LXE - LS"

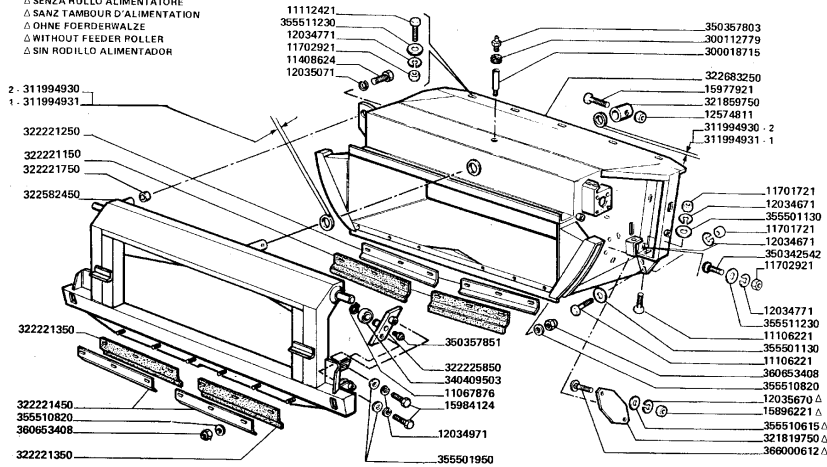


10375111		1 SCREW
10902421		2 SCREW
12035670	● 000120356710 (16)	16 LOCK WASHE
12574011		1 NUT
15896211		18 NUT
322294350		1 CLAW
322366800		2 LATCH
322387450		1 GASKET
322546450		1 SHIM
355500720	● 003555007150 (2)	2 WASHER
355510415		1 WASHER



MTB "MCS - LX - 2350 LS
LXE - LS"

△ SENZA RULLO ALIMENTATORE
△ SANZ TAMBOUR D'ALIMENTATION
△ OHNE FÖRDERWALZE
△ WITHOUT FEEDER ROLLER
△ SIN RODILLO ALIMENTADOR

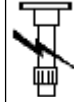


- | | | |
|-----------|----|------------|
| 11067876 | 4 | SPRING LOC |
| 11106221 | 30 | SCREW |
| 11112421 | 11 | SCREW |
| 11408624 | 1 | SCREW |
| 11701721 | 56 | NUT |
| 11702921 | 13 | NUT |
| 12034671 | 56 | LOCK WASHE |
| 12034771 | 15 | LOCK WASHE |
| 12034971 | 4 | LOCK WASHE |
| 12035071 | 8 | LOCK WASHE |
| 12035670 | 16 | LOCK WASHE |
| 12574811 | 3 | NUT |
| 15896221 | 18 | NUT |
| 15977921 | 1 | SCREW |
| 15984124 | 4 | SCREW |
| 300018715 | 1 | EXTENSION |
| 300112779 | 1 | GROMMET |
| 311994930 | 2 | WASHER |
| 311994931 | 4 | WASHER |
| 321819750 | 2 | PANEL |
| 321859750 | 1 | BUSH |
| 32221150 | 2 | GASKET |
| 32221250 | 2 | STRAP |
| 32221350 | 2 | GASKET |
| 32221450 | 2 | STRAP |
| 32221750 | 2 | BUSH |
| 322225850 | 2 | SUPPORT |
| 322582450 | 1 | UNION |
| 322683250 | 1 | EXTENSION |
| 340409503 | 4 | GUIDE ROLL |
| 350342542 | 6 | SCREW |
| 350357803 | 3 | NIPPLE, LU |

● 000120356710 (16)

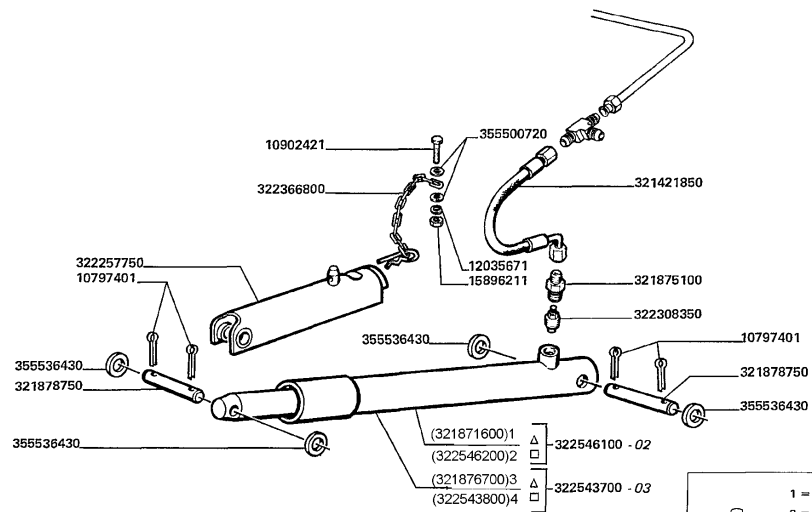
● 003222214503 (2)

Elevator



MTB "MCS - LX - 2350 LS
LXE - LS"

CUTTER BAR LIFTING

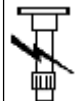


- 10797401
- 10902421
- 12035671
- 15896211
- 321421850
- 321875100
- 321878750
- 322257750
- 322308350
- 322366800
- 322543700
- 322543900
- 322546100
- 322546300
- 344853116
- 344853119
- 355500720
- 355536430

● 003555007150 (2)

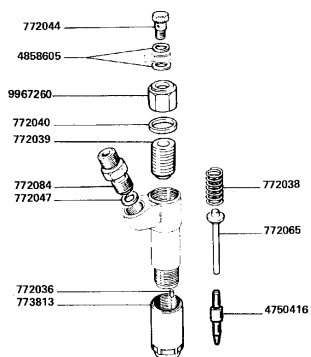
- 8 LINCH PIN
- 2 SCREW
- 3 LOCK WASHER
- 3 NUT
- 2 HOSE
- 2 UNION
- 4 DOWEL
- 2 SPACER
- 2 VALVE
- 2 LATCH
- 2 JACK
- 1 KIT SEALS
- 2 JACK
- 1 KIT SEALS
- 1 KIT SEALS
- 1 KIT SEALS
- 2 WASHER
- 8 WASHER

Engine



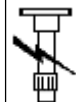
MTB "MCS - LX - 2350 LS
LXE - LS"

FUEL INJECTION SYSTEM (8110850)



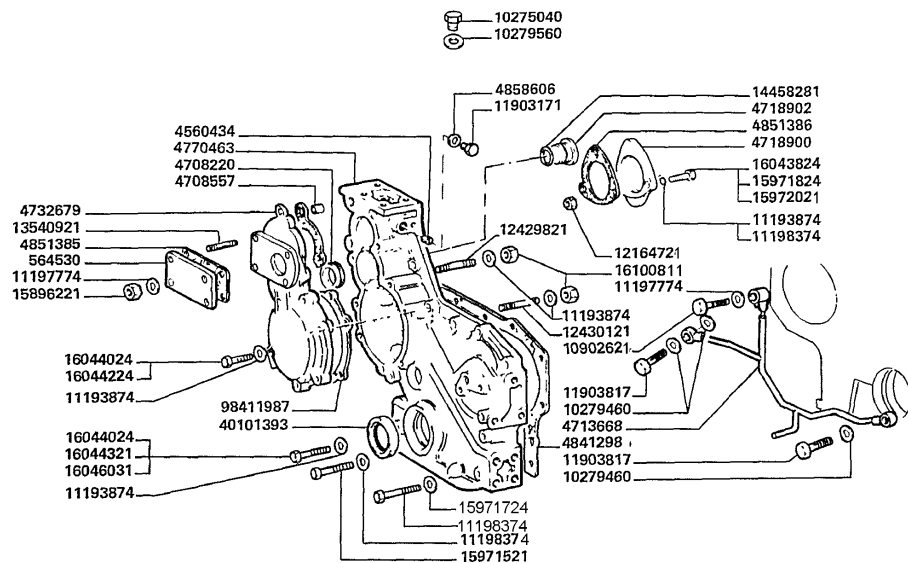
4750416	6	NOZZLE
4858605	2	GASKET
772036	1	DOWEL
772038	1	SPRING
772039	1	SCREW
772040	1	GASKET
772044	1	SCREW
772047	1	LOCK WASHE
772065	1	ROD
772084	1	UNION
773813	1	NUT
9967260	1	PLUG

Engine



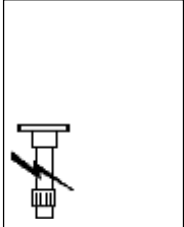
COVERS AND BOLTED page1

MTB "MCS - LX - 2350 LS
LXE - LS"



- | | |
|----------|----------|
| 4770463 | 1 COVER |
| 4841298 | 1 GASKET |
| 4851385 | 1 GASKET |
| 4851386 | 1 GASKET |
| 4858606 | 1 WASHER |
| 564530 | 1 COVER |
| 98411987 | 1 GASKET |

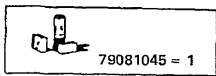
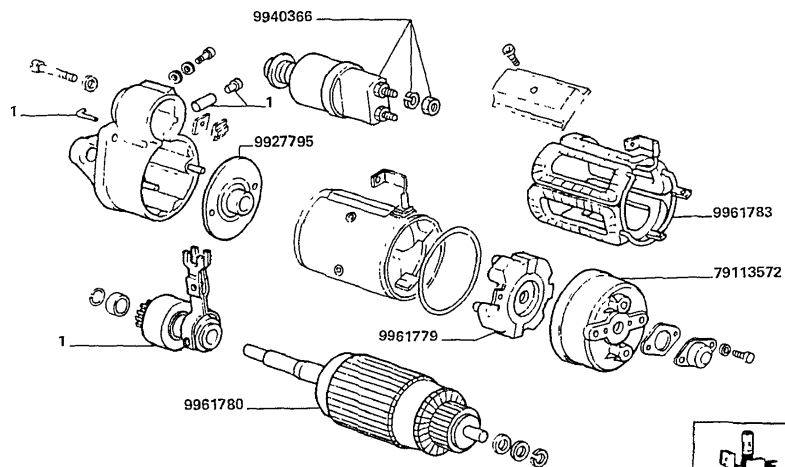
Engine



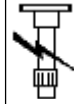
STARTER MOTOR 4807376 (MARELLI)

MTB "MCS - LX - 2350 LS
LXE - LS"

- | | |
|----------|--------------|
| 79081045 | 1 KIT, MISC |
| 79113572 | 1 DOOR |
| 9927795 | 1 SUPPORT |
| 9940366 | 1 ELECTROMAG |
| 9961779 | 1 BRUSH HOLD |
| 9961780 | 1 INDUCTOR |
| 9961783 | 1 WIND |

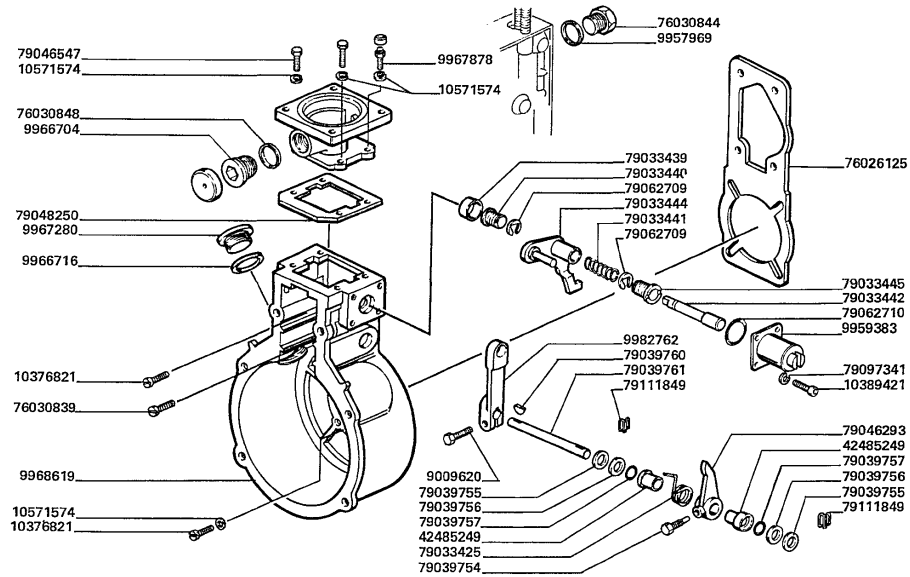


Engine



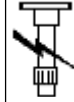
MTB "MCS - LX - 2350 LS
LXE - LS"

INJECTION PUMP page4



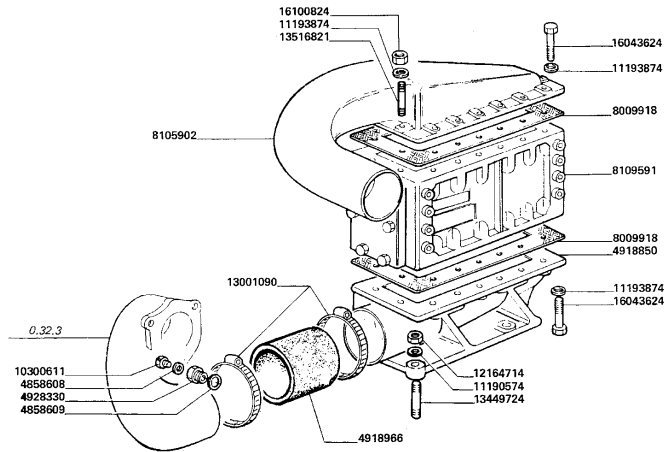
- 10376821
 - 10389421
 - 10571574
 - 42485249
 - 76026125
 - 76030839
 - 76030844
 - 76030848
 - 79033425
 - 79033439
 - 79033440
 - 79033441
 - 79033442
 - 79033444
 - 79033445
 - 79039754
 - 79039755
 - 79039756
 - 79039757
 - 79039760
 - 79039761
 - 79046293
 - 79046547
 - 79048250
 - 79062709
 - 79062710
 - 79097341
 - 79111849
 - 9009620
- 6 SCREW
 - 4 SCREW
 - 23 LOCK WASHE
 - 2 BUSH
 - 1 REPLACE
 - 2 SCREW
 - 1 PLUG
 - 1 GASKET
 - 1 SPRING
 - 1 PLUG
 - 1 FERRULE
 - 1 SPRING
 - 1 PIN
 - 1 PIN
 - 1 BUSH
 - 1 SCREW
 - 1 REPLACE
 - 2 REPLACE
 - 2 GASKET
 - 1 REPLACE
 - 1 SHAFT
 - 1 LEVER
 - 3 REPLACE
 - 1 REGULATOR,
 - 2 RING
 - 1 RING
 - 4 LOCK WASHE
 - 2 LINCH PIN
 - 1 SCREW
- 000099687330 (1)
 - 00012884610 (1)
 - 000144994010 (2)
 - 00011366070 (1)
 - 000109024210 (3)

Engine



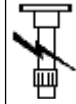
MTB "MCS - LX - 2350 LS
LXE - LS"

AIR-WATER HEAT EXCHANGER page1



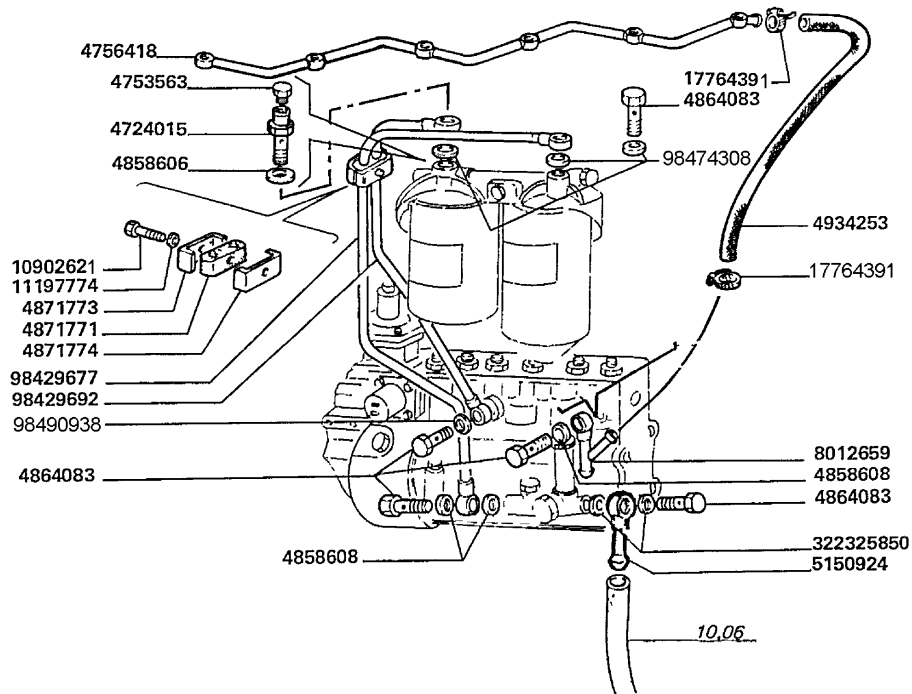
- | | | |
|----------|--------------------|--------------|
| 10300611 | | 1 PLUG |
| 11190574 | | 4 LOCK WASHE |
| 12164714 | ● 000121647210 (1) | 1 NUT |
| 13001090 | | 2 COLLAR |
| 13449724 | | 4 STUD |
| 13516821 | | 2 STUD |
| 16043624 | | 29 SCREW |
| 16100824 | | 1 NUT |
| 4858608 | | 1 GASKET |
| 4858609 | | 1 GASKET |
| 4918850 | | 1 CONVEYOR |
| 4918966 | | 1 SLEEVE |
| 4928330 | | 1 UNION |
| 8009918 | | 2 GASKET |
| 8105902 | | 1 CONVEYOR |
| 8109591 | | 1 HEAT EXANG |

Engine



MTB "MCS - LX - 2350 LS
LXE - LS"

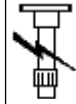
FUEL LINES



- | | | |
|-----------|----|------------|
| 10902621 | 1 | SCREW |
| 11197774 | 1 | LOCK WASHE |
| 17764391 | 2 | COLLAR |
| 322325850 | 2 | WASHER |
| 4724015 | 2 | UNIVERSAL |
| 4753563 | 1 | PLUG |
| 4756418 | 1 | STANDPIPE |
| 4858606 | 2 | WASHER |
| 4864083 | 5 | BOLT, BANJ |
| 4871771 | 1 | COLLAR |
| 4871773 | 1 | CONNECTOR |
| 4871774 | 1 | CONNECTOR |
| 4934253 | 1 | HOSE |
| 5150924 | 1 | UNION |
| 8012659 | 1 | STANDPIPE |
| 98429677 | 1 | STANDPIPE |
| 98429692 | 1 | STANDPIPE |
| 98474308 | 12 | LOCK WASHE |

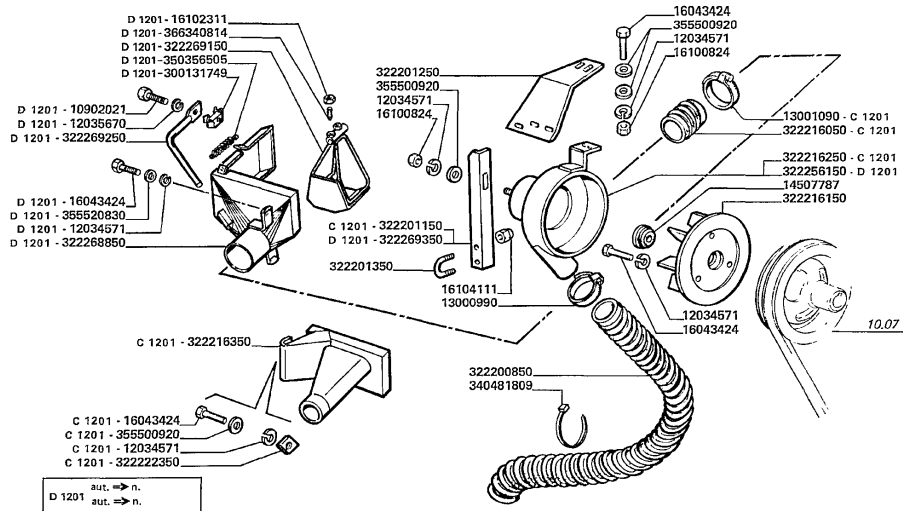
● 003223258500 (12)

ENGINE INSTALLATION



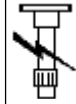
**MTB "MCS - LX - 2350 LS
LXE - LS"**

RADIATOR FILTER INTAKE



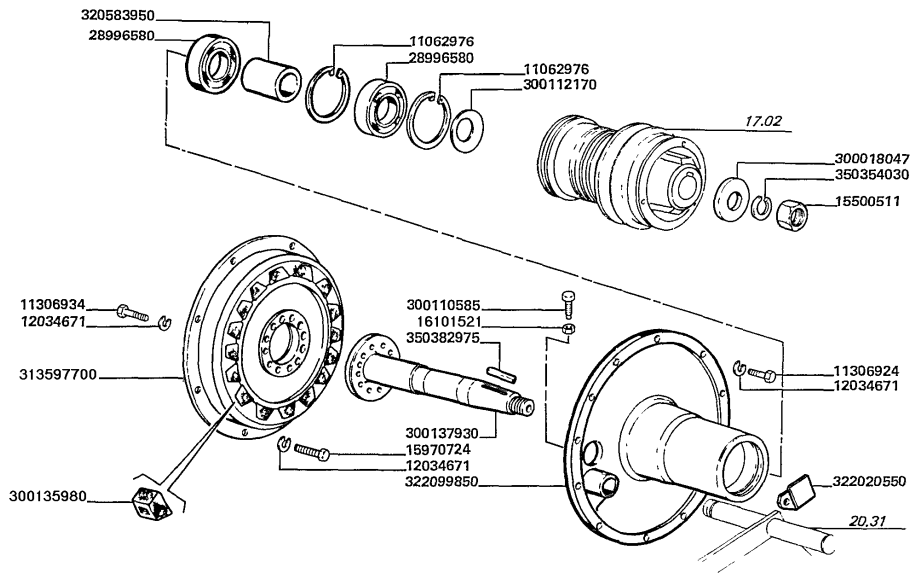
- | | | |
|-----------|--------------------|--------------|
| 10902024 | | 1 SCREW |
| 12034571 | | 8 LOCK WASHE |
| 12035670 | ● 000120356710 (1) | 1 LOCK WASHE |
| 13000990 | | 2 COLLAR |
| 14507787 | | 1 PLUG |
| 16043424 | | 7 SCREW |
| 16100811 | | 3 NUT |
| 16102311 | | 2 NUT |
| 16104111 | | 2 NUT |
| 300131749 | | 1 NUT |
| 322200850 | | 1 PIPE |
| 322201250 | | 1 STIRRUP |
| 322201350 | | 1 BRIDLE |
| 322216150 | | 1 ROTOR |
| 32222350 | | 1 BASE PLATE |
| 322256150 | | 1 ELEMENT |
| 322268850 | | 1 AIR FUNNEL |
| 322269150 | | 1 SCREEN |
| 322269250 | | 1 SHIELD |
| 322269350 | | 1 ANGULAR |
| 322638750 | | 1 ROTOR |
| 340481809 | | 1 CLAMP |
| 350356505 | | 2 SPRING |
| 355500920 | | 5 WASHER |
| 355520830 | | 2 WASHER |
| 366340814 | | 2 SCREW |

ENGINE INSTALLATION



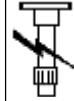
MTB "MCS - LX - 2350 LS
LXE - LS"

POWER TAKE-OFF



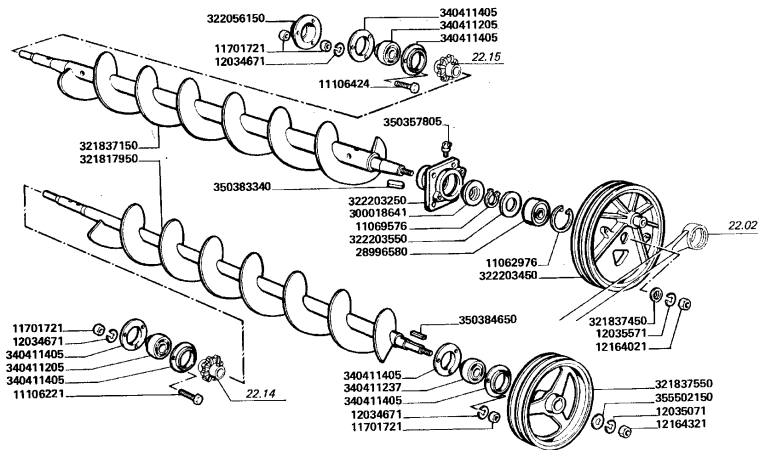
- | | | | |
|-----------|---------------------|----|------------|
| 11062976 | | 2 | SPRING LOC |
| 11306924 | | 10 | SCREW |
| 11306934 | | 12 | SCREW |
| 12034671 | | 30 | LOCK WASHE |
| 15500511 | | 1 | NUT |
| 15970724 | | 8 | SCREW |
| 16101521 | | 1 | NUT |
| 28996580 | | 2 | BEARING |
| 300018047 | | 1 | WASHER |
| 300110585 | | 1 | SCREW |
| 300112170 | | 1 | WASHER |
| 300135980 | ● 003001379320 (20) | 20 | PAD |
| 300137930 | | 1 | SHAFT |
| 300137932 | | 20 | PAD |
| 313793100 | ● 003135977000 (0) | 0 | COUPLING,H |
| 320583950 | | 1 | SPACER |
| 322020550 | | 1 | PLATE |
| 322099850 | | 1 | SUPPORT |
| 350354030 | | 1 | LOCK WASHE |
| 350382975 | | 1 | KEY |

Guard



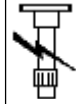
MTB "MCS - LX - 2350 LS
LXE - LS"

SHAKER SHOE page3



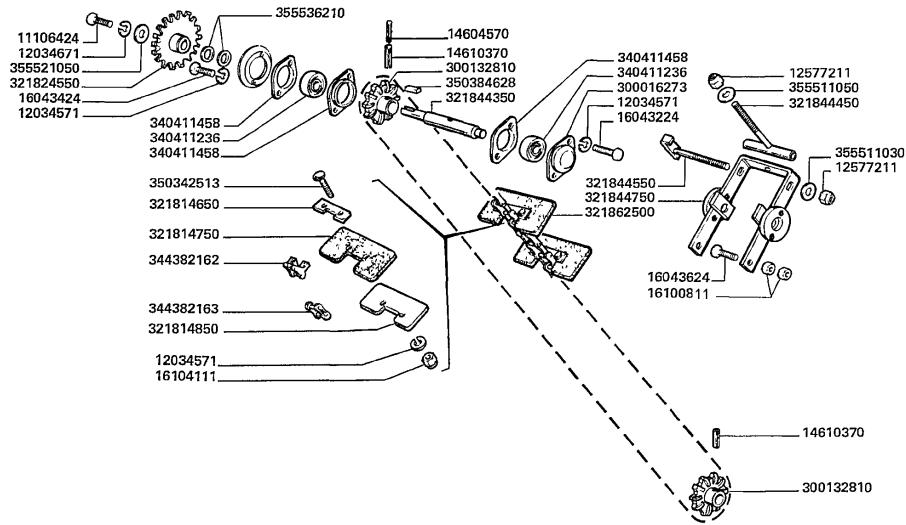
- 11062976 1 SPRING LOC
- 11069576 1 SPRING LOC
- 11106221 16 SCREW
- 11106424 8 SCREW
- 11701721 42 NUT
- 12034671 48 LOCK WASHE
- 12035071 1 LOCK WASHE
- 12035571 1 LOCK WASHE
- 12164021 1 NUT
- 28996580 1 BEARING
- 300018641 1 SHIELD
- 321817950 1 AUGER
- 321837150 1 AUGER
- 321837450 1 WASHER
- 321837550 1 PULLEY
- 322056150 1 PROTECTION
- 322203250 1 SUPPORT
- 322203450 1 PULLEY
- 322203550 1 SHIM
- 003222035503 (1) 2 BEARING
- 340411205 1 BEARING
- 340411237 6 FLANGE COU
- 340411405 1 NIPPLE, LU
- 350357805 1 KEY
- 350383340 1 KEY
- 350384650 1 KEY
- 355502150 1 WASHER

Guard



GRAIN ELEVATOR (ANTHWEAR) page3

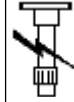
MTB "MCS - LX - 2350 LS
LXE - LS"



- | | | |
|-----------|----|------------|
| 11106424 | 1 | SCREW |
| 12034571 | 99 | LOCK WASHE |
| 12034671 | 3 | LOCK WASHE |
| 12577211 | 2 | NUT |
| 14604570 | 1 | PLUG |
| 14610370 | 2 | PLUG |
| 16043224 | 6 | SCREW |
| 16043424 | 20 | SCREW |
| 16043624 | 3 | SCREW |
| 16044421 | 1 | SCREW |
| 16100811 | 29 | NUT |
| 16104111 | 68 | NUT |
| 300016273 | 1 | FLANGE |
| 300132810 | 2 | GEAR |
| 321814650 | 34 | STRAP |
| 321814750 | 34 | PADDLE |
| 321814850 | 34 | REINFORCEM |
| 321824550 | 1 | GEAR |
| 321844350 | 1 | SHAFT |
| 321844450 | 1 | TIE ROD |
| 321844550 | 1 | TIE ROD |
| 321844750 | 1 | CHAIN ADJU |
| 321862500 | 1 | CHAIN |
| 340411236 | 2 | BEARING |
| 340411458 | 3 | FLANGE |
| 344382162 | 34 | CONNECTING |
| 344382163 | 1 | CONNECTING |
| 350342513 | 68 | SCREW |
| 350384628 | 1 | KEY |
| 355511030 | 1 | WASHER |
| 355511050 | 1 | WASHER |
| 355521050 | 1 | WASHER |
| 355536210 | 3 | WASHER |

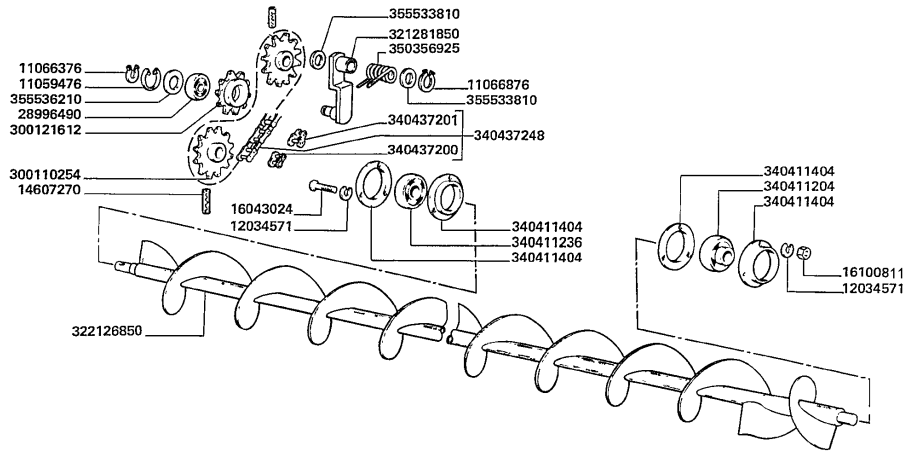
● 003001328103 (2)

Guard



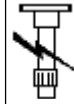
MTB "MCS - LX - 2350 LS
LXE - LS"

TAILINGS ELEVATOR (ANTHWEAR) page5



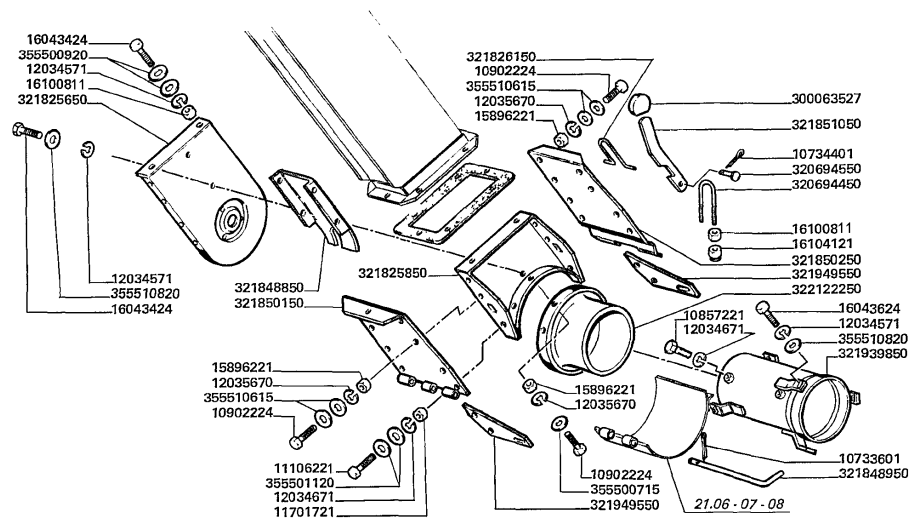
- | | | | |
|-----------|--------------------|----|------------|
| 11059476 | | 1 | SPRING LOC |
| 11066376 | | 1 | SPRING LOC |
| 11066876 | | 1 | SPRING LOC |
| 12034571 | | 97 | LOCK WASHE |
| 14607270 | | 2 | PLUG |
| 16043024 | ● 000160430240 (3) | 3 | SCREW |
| 16100811 | | 15 | NUT |
| 28996490 | | 1 | BEARING |
| 300110254 | | 2 | GEAR |
| 300121612 | ● 003232915500 (1) | 1 | CHAIN ADJU |
| 321281850 | | 1 | CHAIN ADJU |
| 322126850 | | 1 | AUGER |
| 340411236 | | 3 | BEARING |
| 340411404 | | 4 | FLANGE COU |
| 340437200 | ● 003278401250 (1) | 1 | CONNECTING |
| 340437201 | ● 003278401290 (1) | 1 | PLATE |
| 340437248 | | 1 | CHAIN ASA |
| 350356925 | | 1 | SPRING |
| 355533810 | | 2 | WASHER |
| 355536210 | | 1 | WASHER |

Guard



MTB "MCS - LX - 2350 LS
LXE - LS"

TAILINGS ELEVATOR (NORMAL) page2



- 10733601 1 LINCH PIN
- 10734401 1 LINCH PIN
- 10857221 2 SCREW
- 10902224 40 SCREW
- 11106221 2 SCREW
- 11701721 2 NUT
- 12034571 97 LOCK WASHE
- 12034671 6 LOCK WASHE
- 12035670 ● 000120356710 (48) 48 LOCK WASHE
- 15896221 44 NUT
- 16043424 14 SCREW
- 16043624 3 SCREW
- 16100811 15 NUT
- 16104121 2 NUT
- 300063527 ● 003234156505 (1) 1 KNOB
- 320694450 1 BRIDLE
- 320694550 1 PIN
- 321825650 1 WALL
- 321825850 1 WALL
- 321826150 1 BRIDLE
- 321848850 1 DIVIDER
- 321848950 1 DOWEL
- 321850150 1 WALL
- 321850250 1 WALL
- 321851050 ● 003234156505 (1) 1 LEVER
- 321939850 1 PIPE
- 321949550 2 PLATE RETA
- 322122250 1 UNION
- 344382163 1 CONNECTING
- 355500715 41 WASHER
- 355500920 8 WASHER

CLICK HERE TO **DOWNLOAD** THE COMPLETE MANUAL

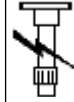
- Thank you very much for reading the preview of the manual.
- You can download the complete manual from: www.heydownloads.com by clicking the link below



- Please note: If there is no response to CLICKING the link, please download this PDF first and then click on it.

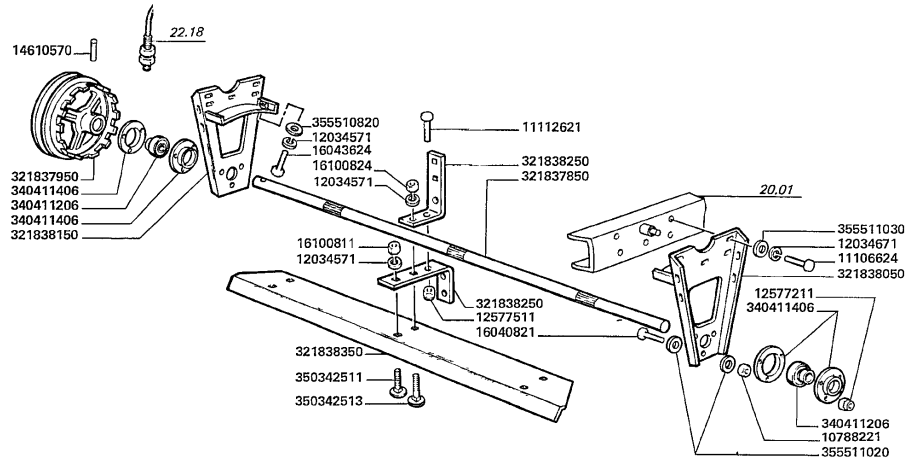
CLICK HERE TO **DOWNLOAD** THE COMPLETE MANUAL

Guard



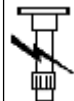
FAN page3

MTB "MCS - LX - 2350 LS
LXE - LS"



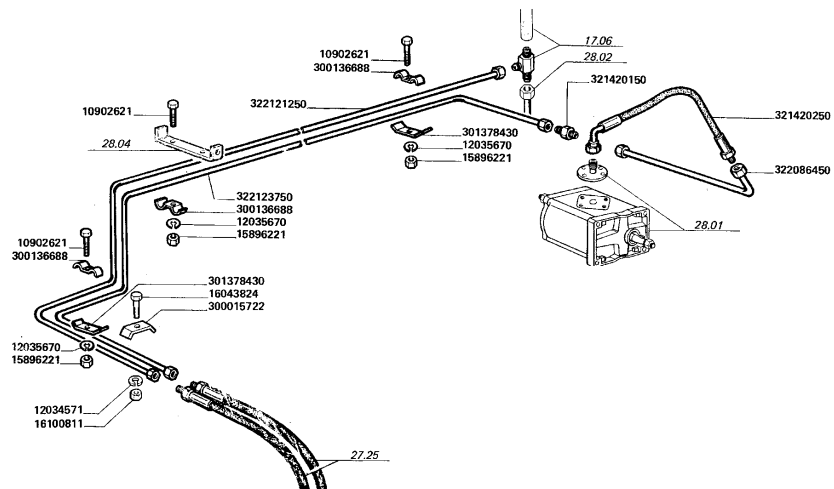
- | | |
|-----------|------------------|
| 10788221 | 6 NUT |
| 11106624 | 10 SCREW |
| 11112621 | 12 SCREW |
| 12034571 | 79 LOCK WASHE |
| 12034671 | 16 LOCK WASHE |
| 12577211 | 6 NUT |
| 12577511 | 12 NUT |
| 14610570 | 1 PLUG |
| 16040821 | 6 SCREW |
| 16043624 | 7 SCREW |
| 16100811 | 70 NUT |
| 16100824 | 70 NUT |
| 321837850 | 1 SHAFT |
| 321837950 | 1 PULLEY |
| 321838050 | 1 SUPPORT |
| 321838150 | 1 SUPPORT |
| | 003227682500 (1) |
| | 003227683500 (1) |
| | 003227682500 (1) |
| 321838250 | 12 SPOKE |
| 321838350 | 4 SHOVEL |
| 340411206 | 2 BEARING |
| 340411406 | 4 FLANGE COU |
| 350342511 | 12 SCREW |
| 350342513 | 12 SCREW |
| 355510820 | 27 WASHER |
| 355511020 | 12 WASHER |
| 355511030 | 22 WASHER |

Hydraulic system



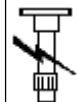
MTB "MCS - LX - 2350 LS
LXE - LS"

DRIVE HYDRAULIC CIRCUIT page1



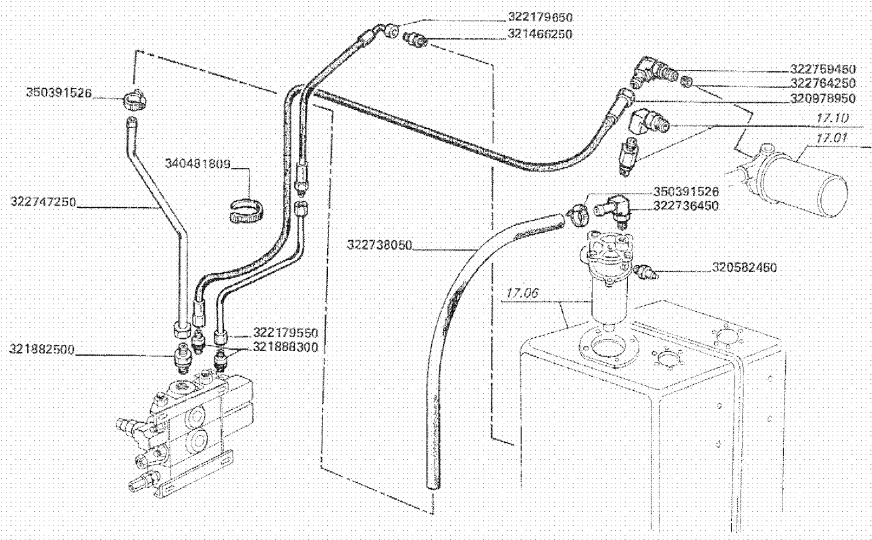
- | | | |
|-----------|---------------------|---------------|
| 10902624 | | 14 SCREW |
| 12034571 | | 1 LOCK WASHE |
| 12035670 | ● 000120356710 (11) | 11 LOCK WASHE |
| 15896221 | | 11 NUT |
| 16043824 | | 1 SCREW |
| 16100811 | | 1 NUT |
| 300015722 | | 1 BRIDLE |
| 300136688 | | 14 BRIDLE |
| 301378430 | | 2 BRIDLE |
| 321420150 | | 3 UNION |
| 321420250 | | 1 HOSE |
| 322086450 | | 1 PIPE |
| 322121250 | | 1 PIPE |
| 322123750 | | 1 PIPE |

Hydraulic system



MTB "MCS - LX - 2350 LS
LXE - LS"

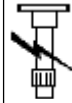
MACHINE LEVELLING SYSTEM page 2



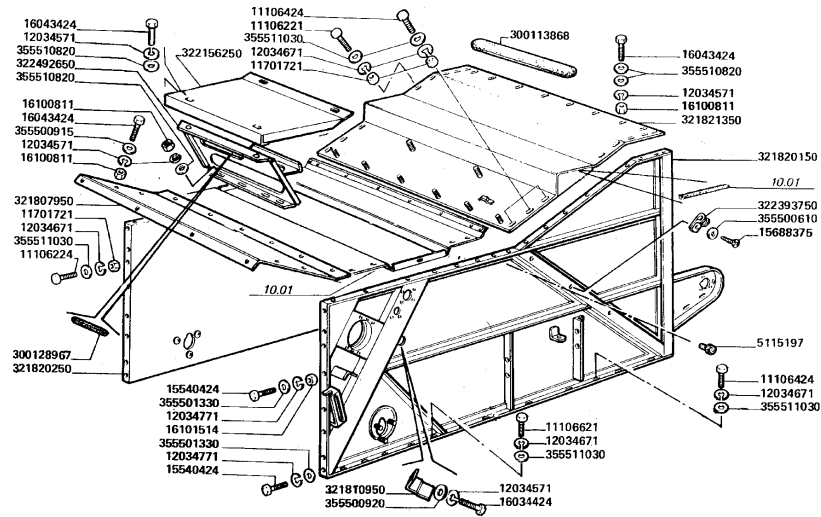
- | | | | |
|-----------|--------------------|---|------------|
| 320582450 | | 1 | PRESSURE S |
| 320978950 | ● 003230600500 (1) | 1 | HOSE |
| 321466250 | | 1 | UNION |
| 321882500 | | 1 | UNION |
| 321888300 | | 2 | UNION |
| 322179550 | | 1 | PIPE |
| 322179650 | | 1 | HOSE |
| 322736450 | | 1 | UNION |
| 322738050 | | 1 | RUBBER PIP |
| 322747250 | | 1 | PIPE |
| 322759450 | | 1 | UNION |
| 322764250 | | 1 | SCREW |
| 340481809 | | 2 | CLAMP |
| 350391526 | | 2 | CLAMP |

Straw walkers

STRAW WALKERS CASE page1



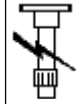
MTB "MCS - LX - 2350 LS
LXE - LS"



- | | |
|-----------|---------------|
| 11106224 | 23 SCREW |
| 11106424 | 23 SCREW |
| 11106621 | 12 SCREW |
| 11701721 | 25 NUT |
| 12034571 | 34 LOCK WASHE |
| 12034671 | 48 LOCK WASHE |
| 12034771 | 8 LOCK WASHE |
| 15540424 | 7 SCREW |
| 15688301 | 3 SCREW |
| 16043424 | 24 SCREW |
| 16100811 | 43 NUT |
| 16101514 | 2 NUT |
| 300113868 | 4 NONSKID |
| 300128967 | 1 SHIELD |
| 321807950 | 1 ROOF |
| 321810950 | 2 BRACKET, S |
| 321820150 | 1 BOARD |
| 321820250 | 1 BOARD |
| 321821350 | 1 ROOF |
| 322156250 | 1 PLATE |
| 322393750 | 3 CLAMP |
| 322492650 | 1 FLOOR |
| 355500610 | 3 WASHER |
| 355500915 | 10 WASHER |
| 355500920 | 5 WASHER |
| 355501330 | 8 WASHER |
| 355510820 | 22 WASHER |
| 355511030 | 48 WASHER |
| 5115197 | 2 PLUG |

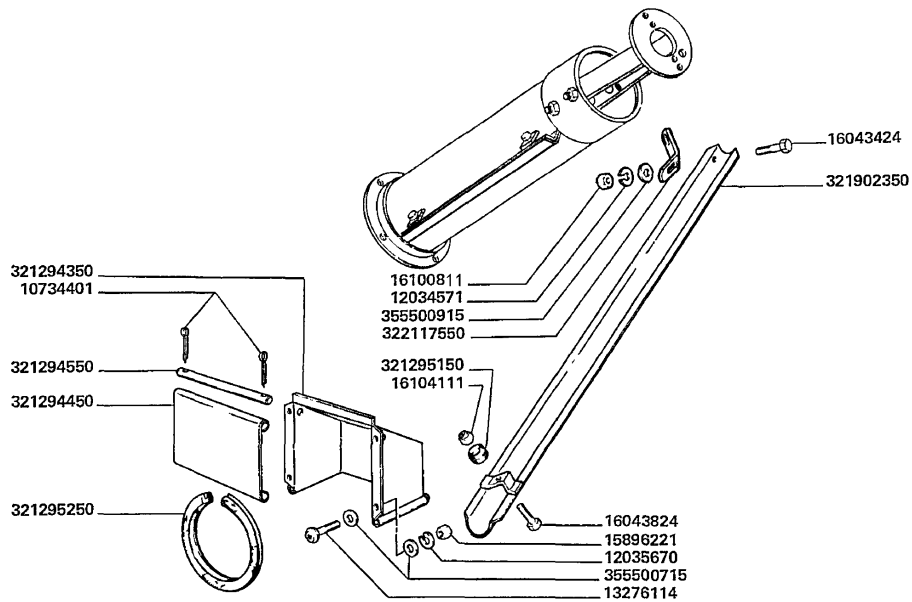
● 003555006150 (3)

Tank and fairings



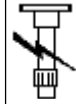
MTB "MCS - LX - 2350 LS
LXE - LS"

TANK FEED page 3



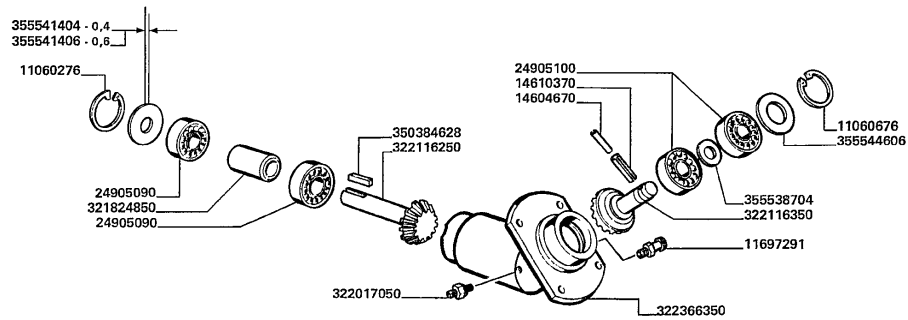
- | | | |
|-----------|---------------------|---------------|
| 10734401 | | 2 LINCH PIN |
| 12034571 | | 25 LOCK WASHE |
| 12035670 | ● 000120356710 (16) | 16 LOCK WASHE |
| 13276114 | | 4 SCREW |
| 15896221 | | 14 NUT |
| 16043424 | | 1 SCREW |
| 16043824 | | 1 SCREW |
| 16100811 | | 25 NUT |
| 16104111 | | 1 NUT |
| 321294350 | | 1 BOLT, BANJ |
| 321294450 | | 1 LID |
| 321294550 | | 1 DOWEL |
| 321295150 | | 1 GROMMET |
| 321295250 | | 1 GASKET |
| 321902350 | | 1 TROUGH |
| 322117550 | | 1 PLATE |
| 355500715 | | 16 WASHER |
| 355500915 | | 13 WASHER |

Tank and fairings



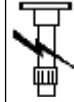
MTB "MCS - LX - 2350 LS
LXE - LS"

CASE ELEMENTS



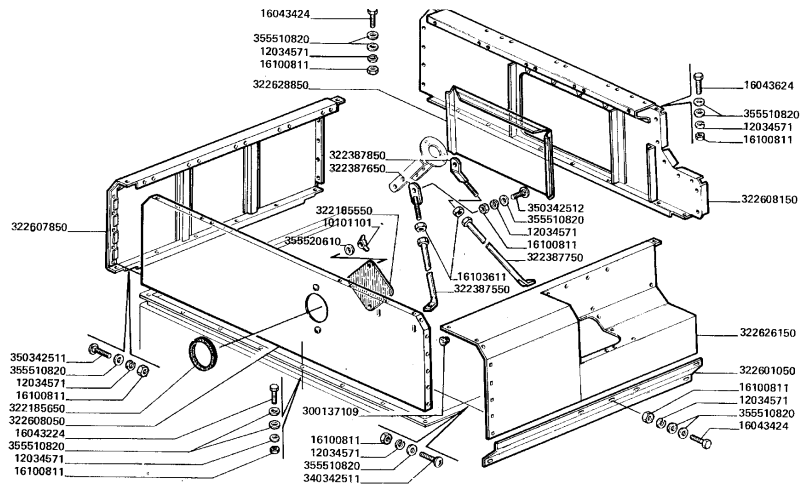
- | | | |
|-----------|---|------------|
| 11060276 | 1 | SPRING LOC |
| 11060676 | 1 | SPRING LOC |
| 11697291 | 1 | OILER |
| 14604670 | 1 | PLUG |
| 14610370 | 1 | PLUG |
| 24905090 | 2 | BEARING |
| 24905100 | 2 | BEARING |
| 321824850 | 1 | SPACER |
| 322017050 | 1 | UNION |
| 322116250 | 1 | PINION |
| 322116350 | 1 | PINION |
| 322366350 | 1 | SUPPORT |
| 350384628 | 1 | KEY |
| 355538704 | 1 | WASHER |
| 355541404 | 1 | WASHER |
| 355541406 | 1 | WASHER |
| 355544606 | 1 | WASHER |

Tank and fairings



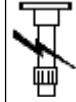
MTB "MCS - LX - 2350 LS
LXE - LS"

GRAIN TANK page2



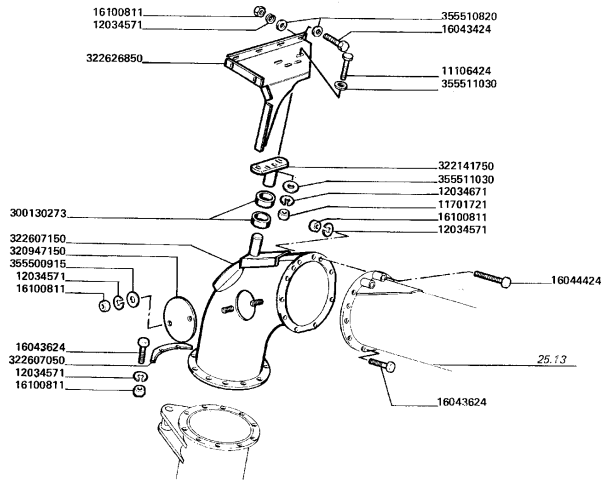
- | | | | |
|-----------|--------------------|-----|------------|
| 10101101 | | 2 | NUT |
| 12034571 | | 95 | LOCK WASHE |
| 16043224 | | 14 | SCREW |
| 16043424 | | 67 | SCREW |
| 16043624 | | 6 | SCREW |
| 16100811 | | 85 | NUT |
| 16103611 | | 2 | NUT |
| 300137109 | ● N.A. (0) | 1 | PLUG |
| 322185550 | | 1 | PORTHOLE |
| 322185650 | | 1 | GASKET |
| 322387550 | | 1 | PIPE |
| 322387650 | | 1 | TIE ROD |
| 322387750 | | 1 | PIPE |
| 322387850 | | 1 | TIE ROD |
| 322601050 | ● 003226010503 (1) | 1 | CONNECTION |
| 322607850 | | 1 | BOARD |
| 322608050 | | 1 | WALL |
| 322608150 | | 1 | WALL |
| 322626150 | | 1 | BOARD |
| 322628850 | | 1 | LID |
| 350342511 | | 16 | SCREW |
| 350342512 | | 2 | SCREW |
| 355510820 | | 156 | WASHER |
| 355520610 | | 2 | WASHER |

Tank and fairings



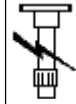
MTB "MCS - LX - 2350 LS
LXE - LS"

GRAIN TANK UNLOADING VERTICAL TUBE page3



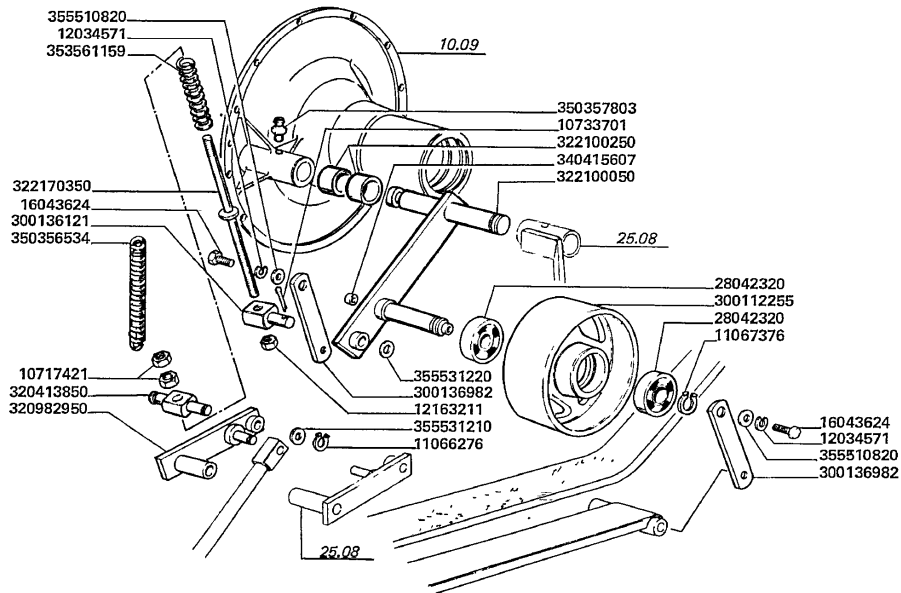
- | | |
|-----------|---------------|
| 11106424 | 4 SCREW |
| 11701721 | 16 NUT |
| 12034571 | 77 LOCK WASHE |
| 12034671 | 20 LOCK WASHE |
| 16043424 | 23 SCREW |
| 16043624 | 32 SCREW |
| 16044424 | 2 SCREW |
| 16100811 | 53 NUT |
| 300130273 | 2 BUSH |
| 320947150 | 1 PANEL |
| 322141750 | 1 SUPPORT |
| 322607050 | 1 SHIM |
| 322607150 | 1 UNION |
| 322626850 | 1 STIRRUP |
| 355500915 | 10 WASHER |
| 355510820 | 32 WASHER |
| 355511030 | 9 WASHER |

Thresher



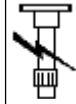
THRESING MECHANISM DRIVE page2

MTB "MCS - LX - 2350 LS
LXE - LS"



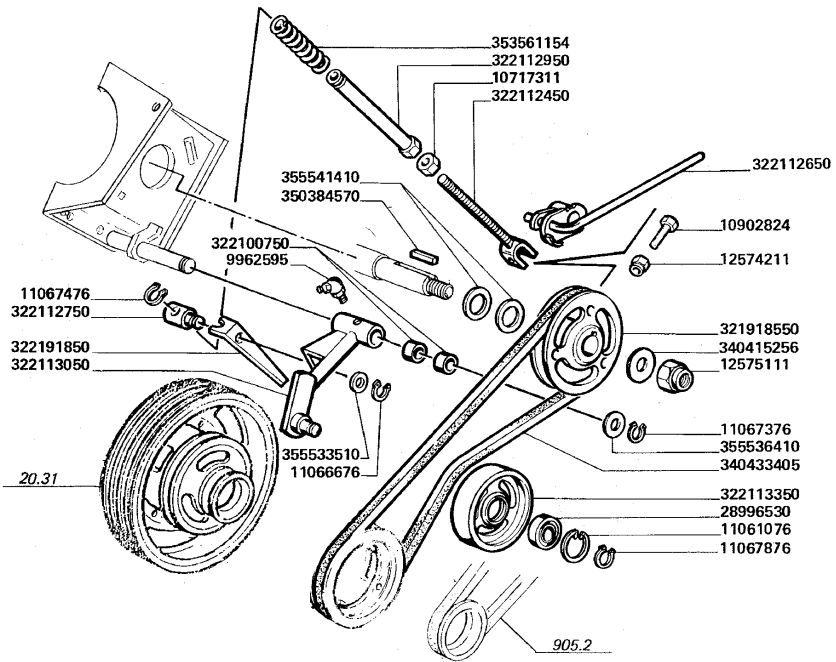
- | | | | |
|-----------|--------------------|----|------------|
| 10717421 | | 2 | NUT |
| 10733701 | | 2 | LINCH PIN |
| 11066276 | | 5 | SPRING LOC |
| 11067376 | | 1 | SPRING LOC |
| 12034571 | | 21 | LOCK WASHE |
| 12163211 | | 3 | NUT |
| 16043624 | | 12 | SCREW |
| 28042320 | | 2 | BEARING |
| 300112255 | ● 003001122553 (1) | 1 | TENSIONER, |
| 300136121 | | 1 | BALL JOINT |
| 300136982 | | 2 | SUPPORT |
| 320413850 | | 1 | BALL JOINT |
| 320982950 | | 1 | LEVER LEAD |
| 322100050 | | 1 | SUPPORT |
| 322100250 | | 2 | BEARING |
| 322170350 | | 1 | TIE ROD |
| 340415607 | | 1 | BUSH |
| 350356534 | | 1 | SPRING |
| 350357803 | | 1 | NIPPLE, LU |
| 353561159 | | 1 | SPRING |
| 355510820 | | 21 | WASHER |
| 355531210 | | 6 | WASHER |
| 355531220 | | 1 | WASHER |

Thresher



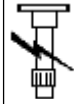
MTB "MCS - LX - 2350 LS
LXE - LS"

MULTI CROP SEPARATOR page1



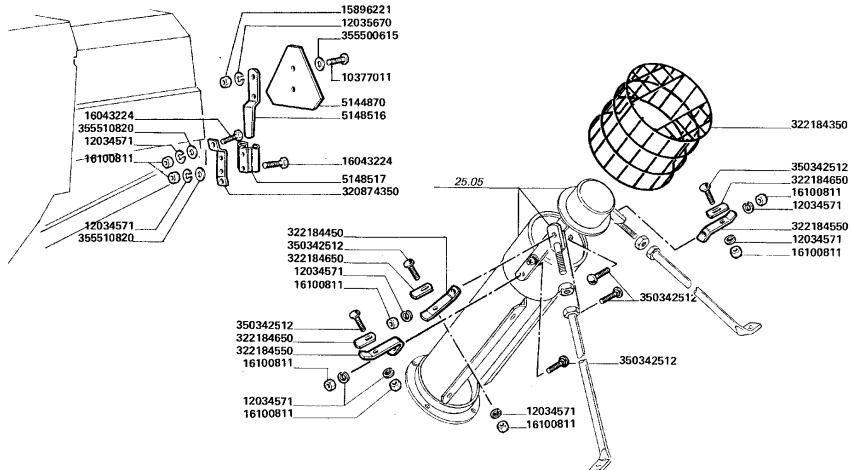
- | | |
|-----------|--------------|
| 10717311 | 1 NUT |
| 10902824 | 1 SCREW |
| 11061076 | 1 SPRING LOC |
| 11066676 | 1 SPRING LOC |
| 11066876 | 1 SPRING LOC |
| 11067376 | 1 SPRING LOC |
| 11067476 | 1 SPRING LOC |
| 12574211 | 3 NUT |
| 12575111 | 1 NUT |
| 28996530 | 1 BEARING |
| 321918550 | 1 PULLEY DRI |
| 322100750 | 2 BEARING |
| 322112450 | 1 TIE ROD |
| 322112650 | 1 LEVER |
| 322112750 | 1 BALL JOINT |
| 322112950 | 1 THIMBLE |
| 322113050 | 1 COUNTER WE |
| 322113350 | 1 TENSIONER, |
| 322191850 | 1 INDEX SPRI |
| 340415256 | 1 WASHER |
| 340433405 | 1 BELT |
| 350384570 | 1 KEY |
| 353561154 | 1 SPRING |
| 355533510 | 1 WASHER |
| 355536410 | 1 WASHER |
| 355541410 | 3 WASHER |
| 9962595 | 1 NIPPLE, LU |

Tools



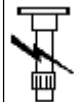
MTB "MCS - LX - 2350 LS
LXE - LS"

DENMARK-SWEDEN VERSION



- | | | |
|-----------|--------------------|---------------|
| 10377011 | | 2 SCREW |
| 12034571 | | 10 LOCK WASHE |
| 12035670 | ● 000120356710 (2) | 2 LOCK WASHE |
| 15896221 | | 2 NUT |
| 16043224 | | 2 SCREW |
| 16100824 | | 6 NUT |
| 320874350 | | 1 BASE PLATE |
| 322184350 | | 1 SHIELD |
| 322184450 | | 1 SUPPORT |
| 322184550 | | 2 SUPPORT |
| 322184650 | | 3 RETAINING |
| 350342512 | | 6 SCREW |
| 355510615 | | 2 WASHER |
| 355510820 | | 4 WASHER |
| 5144870 | | 1 REFLECTOR |
| 5148516 | | 1 STIRRUP |

Tools

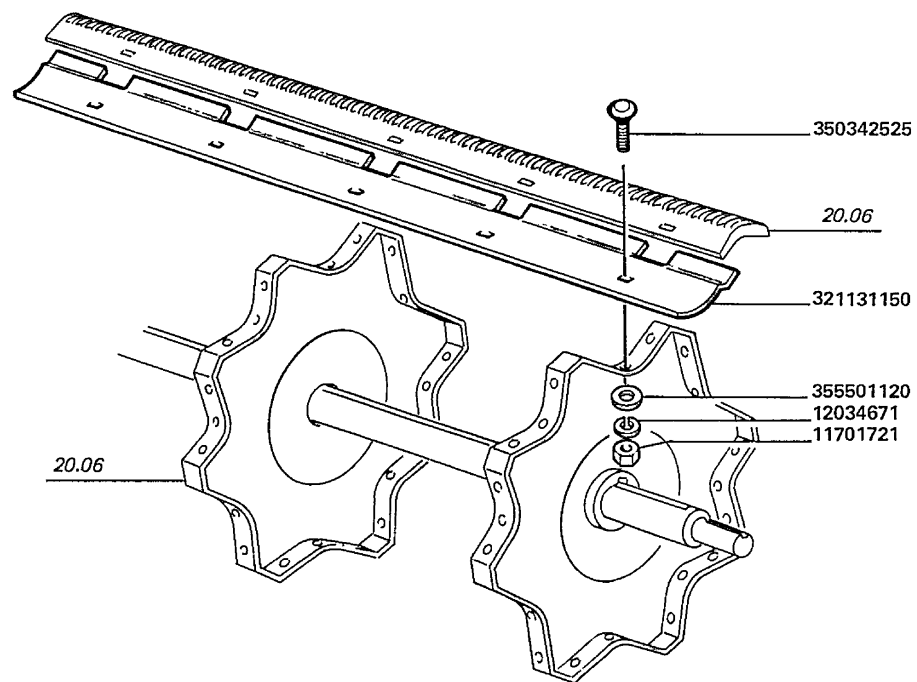


MTB "MCS - LX - 2350 LS
LXE - LS"

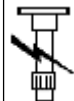
DRUM BAR PLATES

11701721
12034671
321131150
350342525
355501120

40 NUT
40 LOCK WASHE
8 PANEL
40 SCREW
40 WASHER

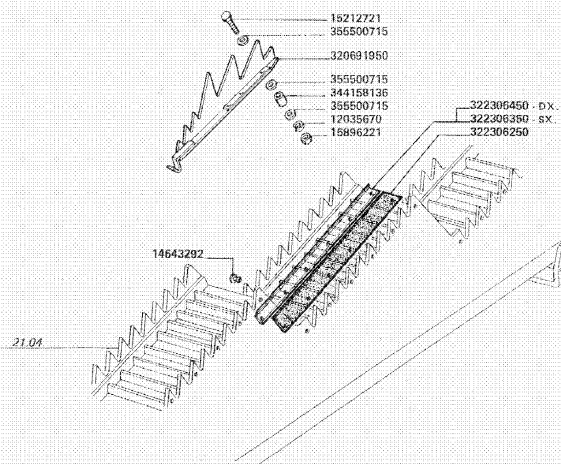


Tools



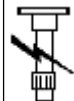
MTB "MCS - LX - 2350 LS
LXE - LS"

CONCAVE MAIS-MIX page 2



- | | | |
|-----------|---------------------|---------------|
| 12035670 | ● 000120356710 (25) | 25 LOCK WASHE |
| 14643292 | | 36 RIVET |
| 15212721 | | 10 SCREW |
| 15896221 | | 25 NUT |
| 320691950 | | 10 STRAW ELEV |
| 322306250 | | 6 GASKET |
| 322306350 | | 3 STRAP |
| 322306450 | | 3 STRAP |
| 344158136 | | 10 BUSH |
| 355500715 | | 60 WASHER |

Tools

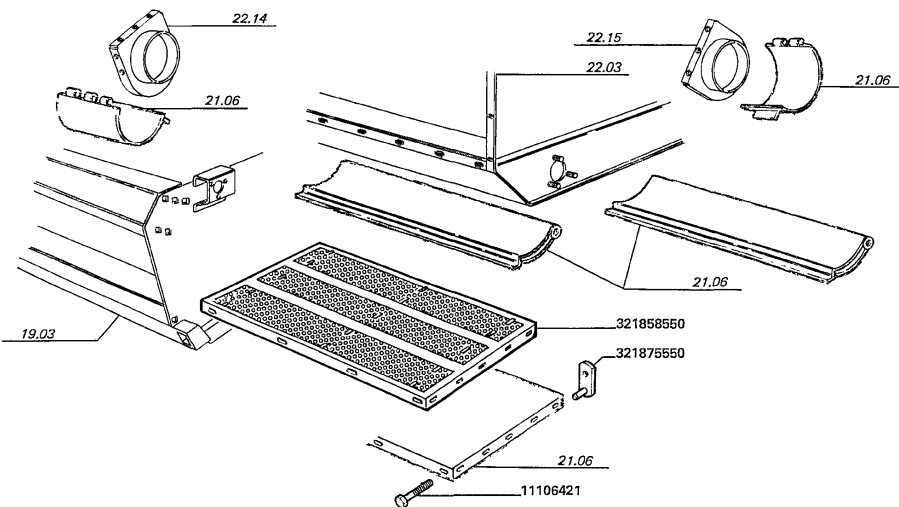


PARTS FOR SANDY SOILS page2

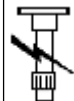
MTB "MCS - LX - 2350 LS
LXE - LS"

321858550
321875550

1 FLOOR
2 PARABOLA S



Tools

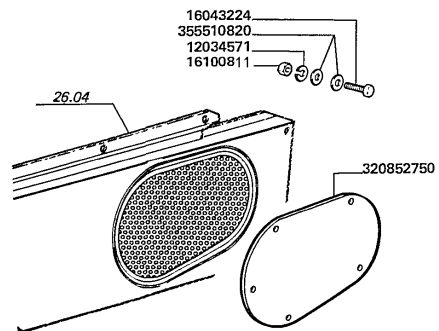
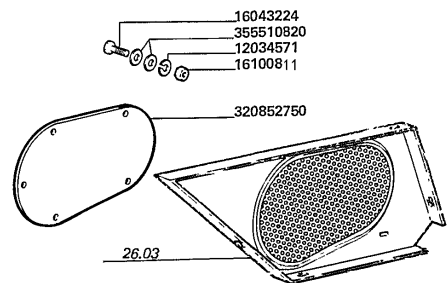


MTB "MCS - LX - 2350 LS
LXE - LS"

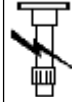
MUDDY SOIL GUARDS

12034571
16043224
16100811
320852750
355510820

10 LOCK WASHE
10 SCREW
10 NUT
2 PANEL
20 WASHER

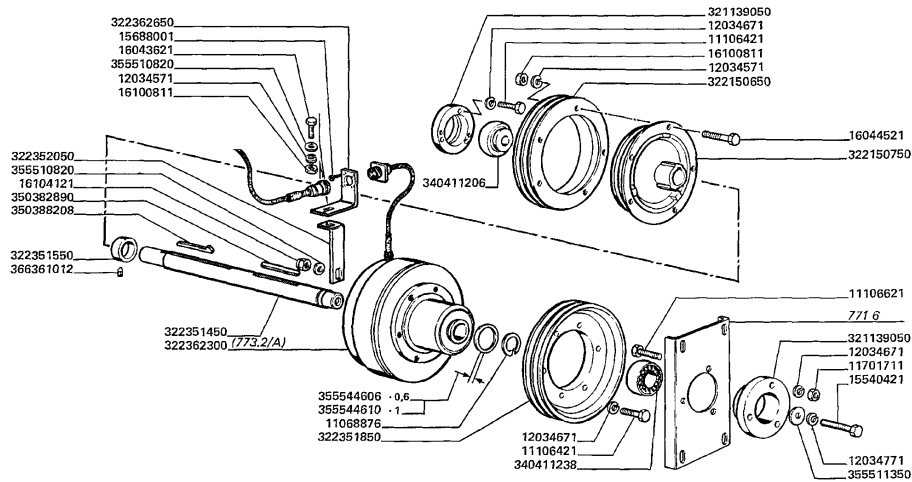


Tools



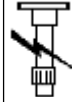
MTB "MCS - LX - 2350 LS
LXE - LS"

STRAW CHOPPER - ELECTRO-MAGNETIC CLUTCH page1



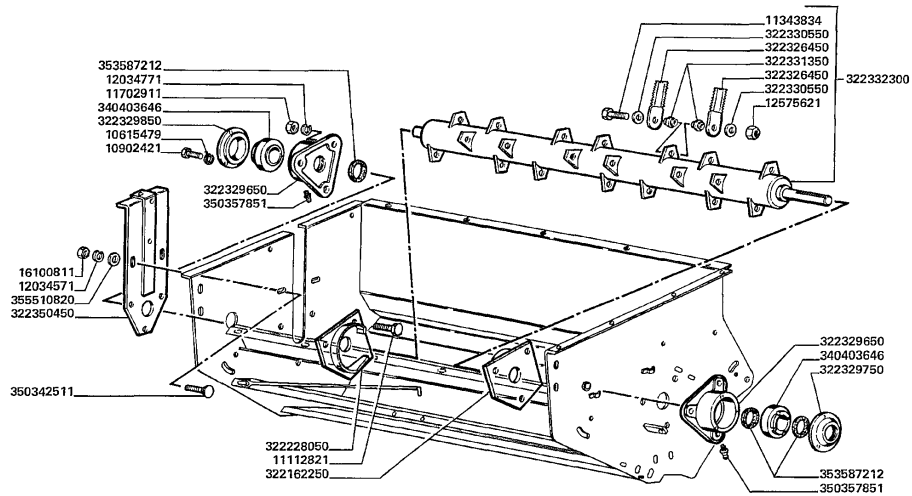
- 11068676 1 RING
- 11106421 9 SCREW
- 11106624 3 SCREW
- 11701721 3 NUT
- 12034571 6 LOCK WASHE
- 12034671 12 LOCK WASHE
- 12034771 1 LOCK WASHE
- 15540421 1 SCREW
- 15688001 4 SCREW
- 16043624 1 SCREW
- 16044521 5 SCREW
- 16100811 6 NUT
- 16104121 1 NUT
- 321139050 2 SUPPORT
- 322150650 1 PULLEY
- 322150750 1 PULLEY
- 322351450 1 MAST
- 322351550 1 NUT, RING
- 322351850 1 PULLEY
- 322352050 1 PLATE
- 322362650 1 SUPPORT
- 340411206 1 BEARING
- 340411238 1 BEARING
- 350382890 1 KEY
- 350388208 1 FLAT KEY
- 355510820 2 WASHER
- 355511350 1 WASHER
- 355544606 1 WASHER
- 355544610 1 WASHER
- 366361012 1 SCREW
- 84011813 1 CLUTCH

Tools



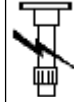
MTB "MCS - LX - 2350 LS
LXE - LS"

STRAW CHOPPER - CHOPPER DRUM



- | | | |
|-----------|---------------------|--------------|
| 10615479 | | 6 LOCK WASHE |
| 10902424 | | 6 SCREW |
| 11112821 | | 6 SCREW |
| 11343831 | ● 000113438340 (26) | 26 SCREW |
| 11702921 | | 6 NUT |
| 12034571 | | 2 LOCK WASHE |
| 12034771 | | 6 LOCK WASHE |
| 12575621 | | 26 NUT |
| 16100811 | | 2 NUT |
| 322162250 | | 1 SUPPORT |
| 322228050 | | 1 SUPPORT |
| 322326450 | | 52 KNIFE |
| 322329650 | | 2 SUPPORT |
| 322329750 | | 1 COVER |
| 322329850 | | 1 COVER |
| 322330550 | | 52 WASHER |
| 322331350 | | 52 BUSH |
| 322332300 | | 1 ROTOR |
| 322350450 | | 1 PANEL |
| 340403646 | | 2 BEARING |
| 350342511 | | 2 SCREW |
| 350357851 | | 2 NIPPLE, LU |
| 353587212 | | 3 GASKET |
| 355510820 | | 2 WASHER |

Transmission

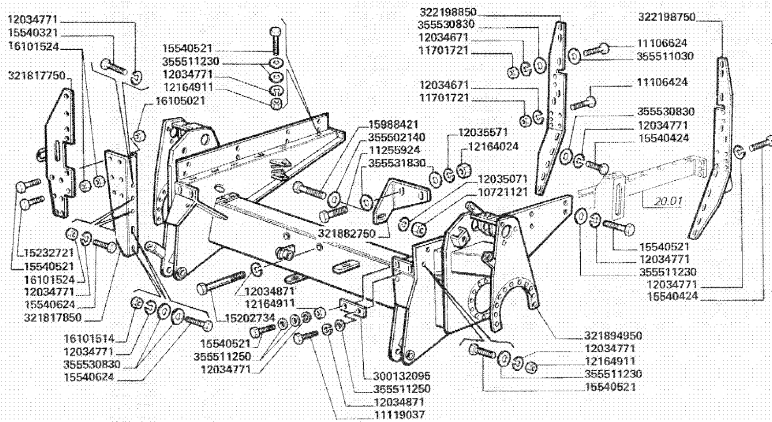


MTB "MCS - LX - 2350 LS
LXE - LS"

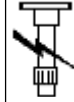
FRONT AXLE page1

355511250
355530830
355531830

4 WASHER
30 WASHER
4 WASHER



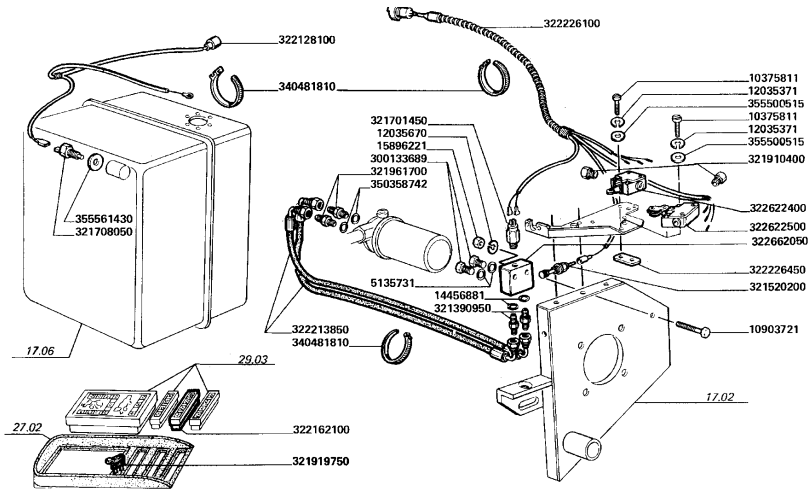
Transmission



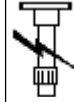
MTB "MCS - LX - 2350 LS
LXE - LS"

SAFETY DISPOSAL FOR HYDROSTATIC TRACTION page2

- | | | | |
|-----------|--------------------|---|------------|
| 10375811 | | 4 | SCREW |
| 10903724 | ● 000109037210 (2) | 2 | REPLACE |
| 12035371 | | 4 | LOCK WASHE |
| 12035670 | ● 000120356710 (4) | 4 | LOCK WASHE |
| 14456881 | | 2 | O-RING |
| 15896221 | | 4 | NUT |
| 300133689 | | 2 | PLUG |
| 321390950 | | 2 | UNION |
| 321520200 | | 1 | SENDER UNI |
| 321701450 | | 1 | PRESSURE S |
| 321708050 | | 1 | CONTACT |
| 321910400 | | 2 | CABLE CLIP |
| 321919750 | | 6 | DIODE |
| 321961700 | | 2 | UNION |
| 322128100 | | 1 | WIRE/CABLE |
| 322162100 | | 1 | INDICATOR |
| 322213850 | | 2 | HOSE |
| 322226100 | | 1 | WIRE/CABLE |
| 322226450 | | 2 | PLATE |
| 322622400 | | 1 | SWITCH |
| 322622500 | | 1 | SWITCH |
| 322662050 | | 1 | BLOCK |
| 340481810 | | 8 | CLAMP |
| 350358742 | | 2 | GASKET |
| 355500515 | | 4 | WASHER |
| 355561430 | | 1 | WASHER |
| 5135731 | ● 000144529810 (2) | 2 | GASKET |

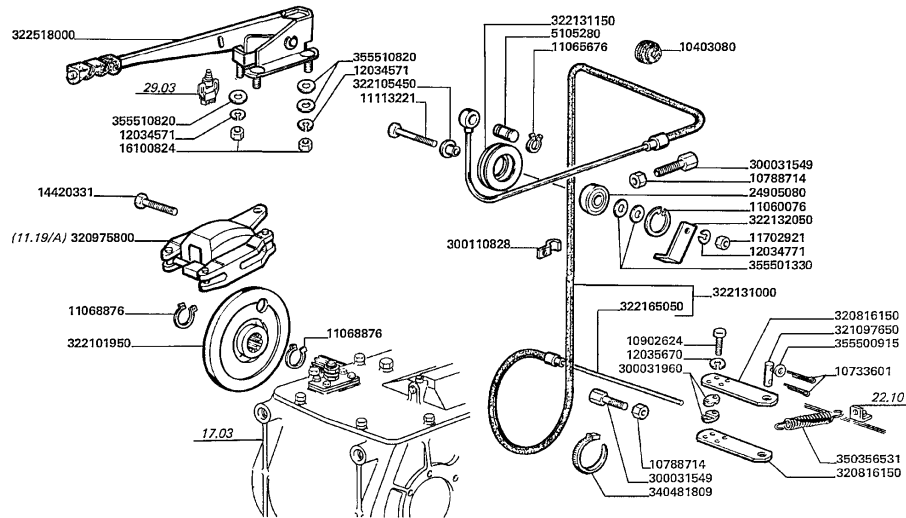


Transmission



PARKING BRAKE

MTB "MCS - LX - 2350 LS
LXE - LS"

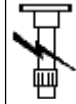


- | | | |
|-----------|---|------------|
| 10403080 | 1 | RING |
| 10733601 | 2 | LINCH PIN |
| 10788714 | 2 | NUT |
| 10902621 | 4 | SCREW |
| 11060076 | 1 | SPRING LOC |
| 11065676 | 2 | SPRING LOC |
| 11068876 | 2 | SPRING LOC |
| 11113221 | 1 | SCREW |
| 11702921 | 1 | NUT |
| 12034571 | 4 | LOCK WASHE |
| 12034771 | 1 | LOCK WASHE |
| 12035670 | 4 | LOCK WASHE |
| 14420331 | 2 | SCREW |
| 16100811 | 4 | NUT |
| 24905080 | 1 | BEARING |
| 300031549 | 2 | SCREW |
| 300031960 | 4 | ELEMENT |
| 300110828 | 4 | BRIDLE |
| 320816150 | 2 | PLATE |
| 320975800 | 1 | BRAKE CALI |
| 321097650 | 1 | PIN |
| 322101950 | 1 | BRAKE DISC |
| 322105450 | 1 | BUSH |
| 322131000 | 1 | CABLE |
| 322131150 | 1 | PULLEY |
| 322132050 | 1 | BRACKET, S |
| 322165050 | 1 | CABLE |
| 322518000 | 1 | LEVER |
| 340481809 | 1 | CLAMP |
| 355500915 | 2 | WASHER |
| 355501330 | 2 | WASHER |
| 355510820 | 6 | WASHER |

● 000120356710 (4)

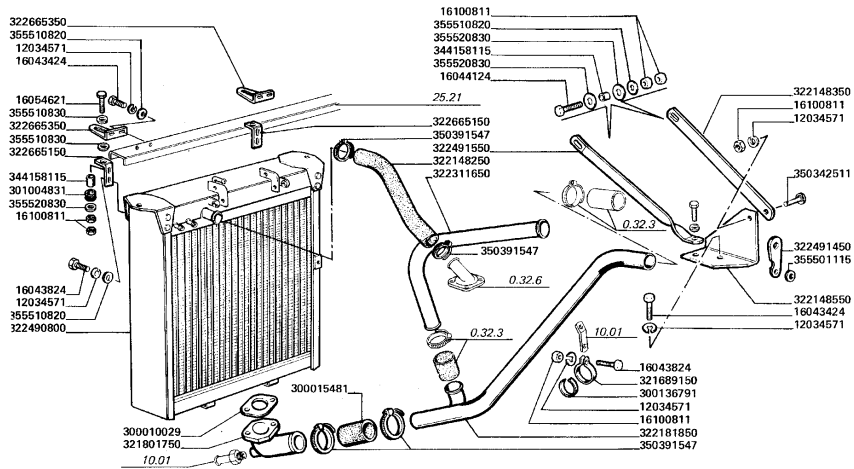
● 003223622000 (1)

Transmission



MTB "MCS - LX - 2350 LS
LXE - LS"

RADIATOR page 1



- | | |
|-----------|--------------|
| 12034571 | 7 LOCK WASHE |
| 16043424 | 10 SCREW |
| 16043824 | 4 SCREW |
| 16044124 | 2 SCREW |
| 16054621 | 3 SCREW |
| 16100811 | 12 NUT |
| 300010029 | 1 GASKET |
| 300015481 | 2 SLEEVE |
| 300136791 | 1 GASKET |
| 301004831 | 3 GROMMET |
| 321689150 | 1 BRIDLE |
| 321801750 | 1 UNION |
| 322148250 | 1 SLEEVE |
| 322148350 | 1 BASE PLATE |
| 322148550 | 1 PLATE RETA |
| 322181850 | 1 PIPE |
| 322311650 | 1 PIPE |
| 322490800 | 1 RADIATOR |
| 322491450 | 1 STIRRUP |
| 322491550 | 1 TIE ROD |
| 322665150 | 2 STIRRUP |
| 322665350 | 2 SUPPORT |
| 344158115 | 5 BUSH |
| 350342511 | 1 SCREW |
| 350391547 | 6 COLLAR |
| 355501115 | 1 WASHER |
| 355510820 | 29 WASHER |
| 355510830 | 5 WASHER |
| 355520830 | 4 WASHER |

● 003226920500 (1)
003224910500 (1)

CLICK HERE TO **DOWNLOAD** THE COMPLETE MANUAL

- Thank you very much for reading the preview of the manual.
- You can download the complete manual from: www.heydownloads.com by clicking the link below



- Please note: If there is no response to CLICKING the link, please download this PDF first and then click on it.

CLICK HERE TO **DOWNLOAD** THE COMPLETE MANUAL