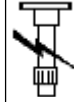
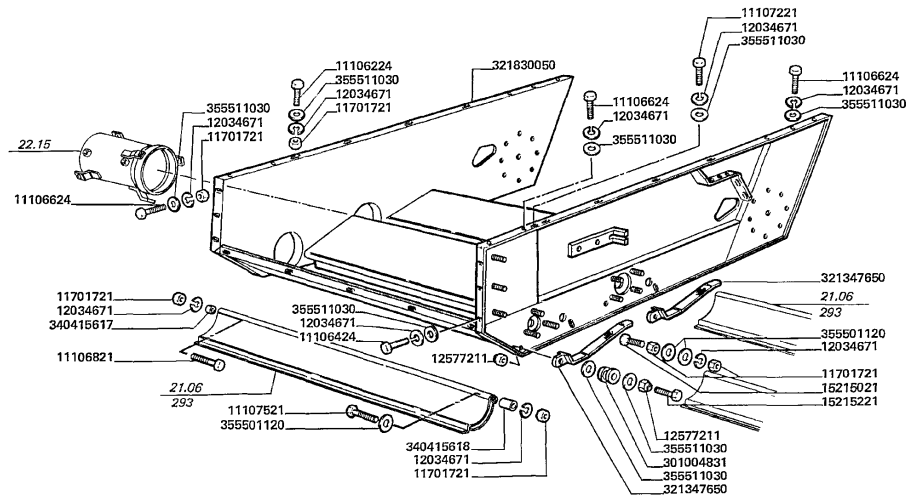


CLEANING



SHAKER SHOE page1

MTB "MCS - LX - 2350 LX LS  
LXE - LS"



- 11106221
- 11106424
- 11106624
- 11106821
- 11107221
- 11107521
- 11701721
- 12034671
- 12577211
- 15215021
- 15215221
- 301004831
- 321347650
- 321830050
- 340415617
- 340415618
- 355501120
- 355511030
- 16 SCREW
- 8 SCREW
- 7 SCREW
- 2 SCREW
- 2 SCREW
- 2 SCREW
- 42 NUT
- 48 LOCK WASHE
- 8 NUT
- 4 SCREW
- 4 SCREW
- 4 GROMMET
- 4 LEVER
- 1 CASHIER
- 2 BUSH
- 2 SPACER
- 8 WASHER
- 38 WASHER

CLICK HERE TO **DOWNLOAD** THE COMPLETE MANUAL

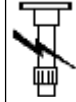
- Thank you very much for reading the preview of the manual.
- You can download the complete manual from: [www.heydownloads.com](http://www.heydownloads.com) by clicking the link below



- Please note: If there is no response to CLICKING the link, please download this PDF first and then click on it.

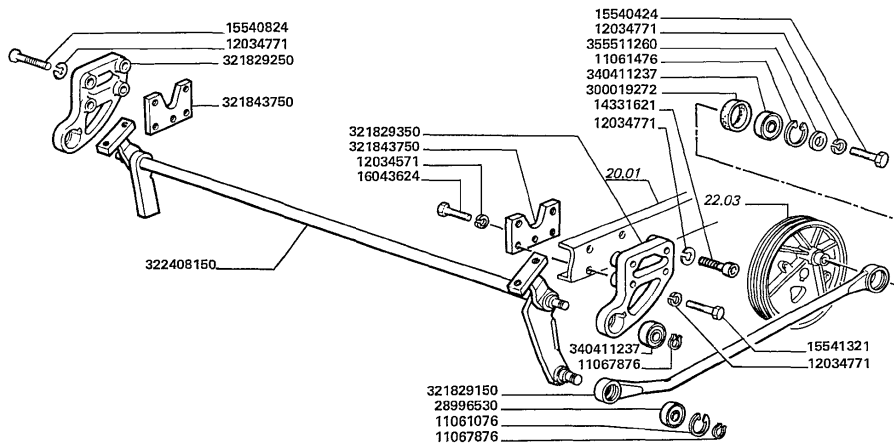
CLICK HERE TO **DOWNLOAD** THE COMPLETE MANUAL

CLEANING



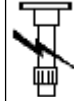
MTB "MCS - LX - 2350 LX LS  
LXE - LS"

GRAIN PAN DRIVE page1



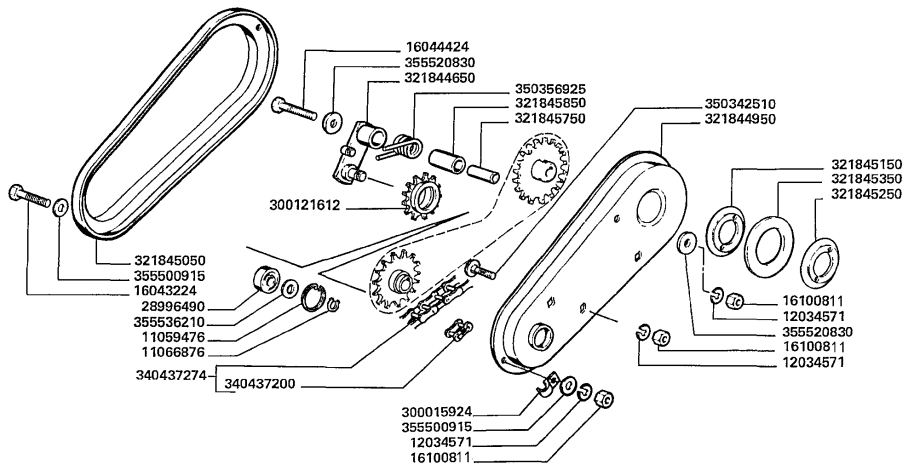
- |           |                    |    |            |
|-----------|--------------------|----|------------|
| 11061076  |                    | 1  | SPRING LOC |
| 11061476  |                    | 1  | SPRING LOC |
| 11067876  |                    | 2  | SPRING LOC |
| 12034571  |                    | 2  | LOCK WASHE |
| 12034771  |                    | 19 | LOCK WASHE |
| 14331621  |                    | 1  | SCREW      |
| 15540424  |                    | 7  | SCREW      |
| 15540824  | ● 000155408240 (4) | 4  | SCREW      |
| 15541321  |                    | 3  | SCREW      |
| 16043624  |                    | 14 | SCREW      |
| 28996530  |                    | 1  | BEARING    |
| 300019272 |                    | 1  | BUSH       |
| 321829150 |                    | 1  | CONROD     |
| 321829250 | ● 003218292503 (1) | 1  | SUPPORT    |
| 321829350 |                    | 1  | SUPPORT    |
| 321843750 |                    | 2  | PLATE RETA |
| 322408150 |                    | 1  | SHAFT      |
| 340411237 |                    | 3  | BEARING    |
| 355511260 |                    | 1  | WASHER     |

CLEANING



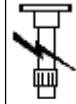
MTB "MCS - LX - 2350 LX LS  
LXE - LS"

GRAIN ELEVATOR page4



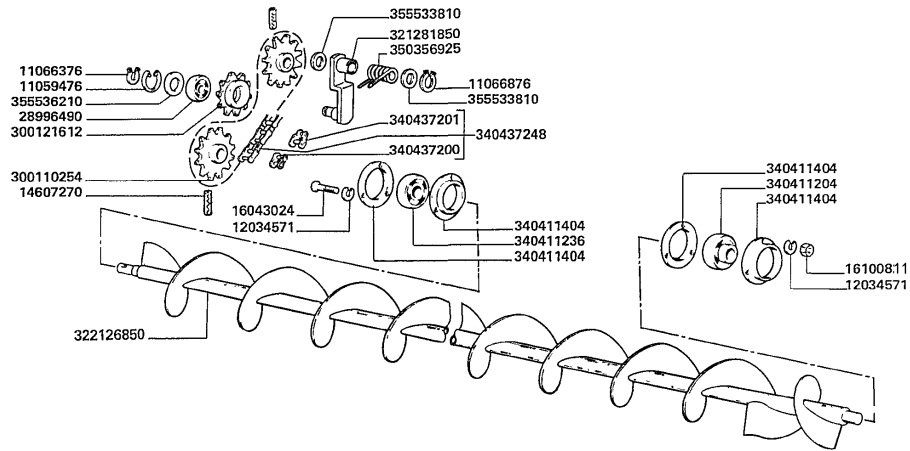
- |           |                    |    |            |
|-----------|--------------------|----|------------|
| 11059476  |                    | 1  | SPRING LOC |
| 11066876  |                    | 1  | SPRING LOC |
| 12034571  |                    | 99 | LOCK WASHE |
| 16043224  |                    | 6  | SCREW      |
| 16044424  |                    | 1  | SCREW      |
| 16100811  |                    | 29 | NUT        |
| 28996490  |                    | 1  | BEARING    |
| 300015924 |                    | 1  | CLAW       |
| 300121612 | ● 003232915500 (1) | 1  | CHAIN ADJU |
| 321844650 |                    | 1  | ARM        |
| 321844950 |                    | 1  | SHIELD     |
| 321845050 |                    | 1  | SHIELD     |
| 321845150 |                    | 1  | DISC       |
| 321845250 |                    | 1  | DISC       |
| 321845350 |                    | 1  | GASKET     |
| 321845750 |                    | 1  | SPACER     |
| 321845850 |                    | 1  | SPACER     |
| 340437200 | ● 003278401250 (1) | 1  | CONNECTING |
| 340437274 |                    | 1  | CHAIN ASA  |
| 350342510 |                    | 3  | SCREW      |
| 350356925 |                    | 1  | SPRING     |
| 355500915 |                    | 26 | WASHER     |
| 355520830 |                    | 2  | WASHER     |
| 355536210 |                    | 3  | WASHER     |

CLEANING



MTB "MCS - LX - 2350 LX LS  
LXE - LS"

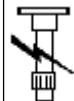
TAILINGS ELEVATOR (NORMAL) page5



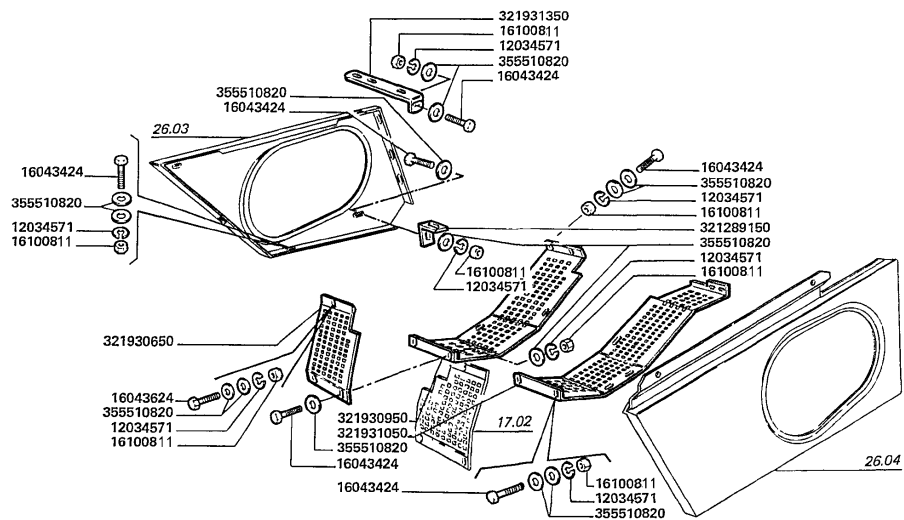
11059476		1	SPRING LOC
11066376		1	SPRING LOC
11066876		1	SPRING LOC
12034571		97	LOCK WASHE
14607270		2	PLUG
16043024	● 000160430240 (3)	3	SCREW
16100811		15	NUT
28996490		1	BEARING
300110254		2	GEAR
300121612	● 003232915500 (1)	1	CHAIN ADJU
321281850		1	CHAIN ADJU
322126850		1	AUGER
340411204		1	BEARING
340411236		3	BEARING
340411404		4	FLANGE COU
340437200	● 003278401250 (1)	1	CONNECTING
340437201	● 003278401290 (1)	1	PLATE
340437248		1	CHAIN ASA
350356925		1	SPRING
355533810		2	WASHER
355536210		1	WASHER

CLEANING

FAN page1



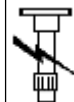
MTB "MCS - LX - 2350 LX LS  
LXE - LS"



- 12034571
- 16043424
- 16043624
- 16100811
- 321289150
- 321930650
- 321930950
- 321931050
- 321931350
- 355510820

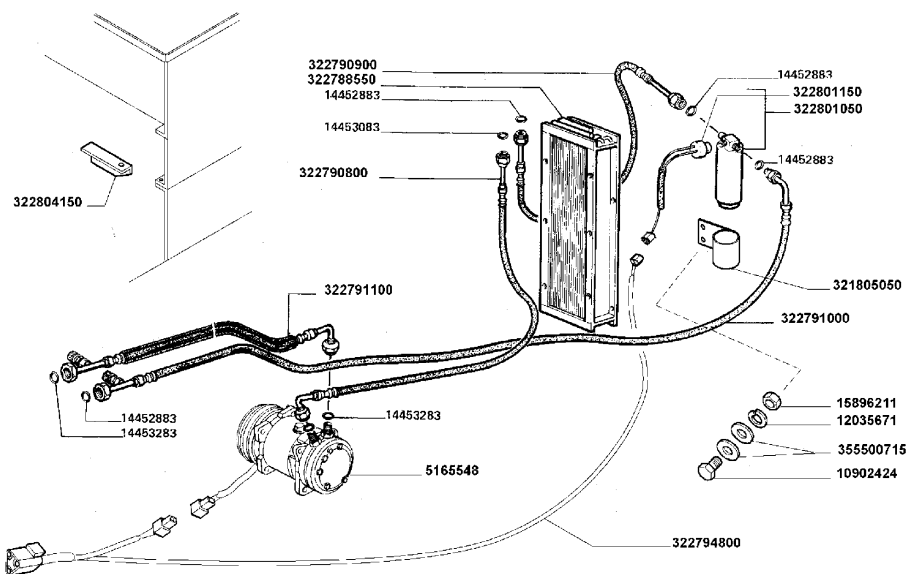
- 79 LOCK WASHE
- 39 SCREW
- 7 SCREW
- 70 NUT
- 1 BRACKET, S
- 1 SHIELD
- 1 SHIELD
- 1 SHIELD
- 1 BASE PLATE
- 27 WASHER

Drive's platform



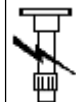
MTB "MCS - LX - 2350 LX LS  
LXE - LS"

CAB - AIR CONDITIONING SYSTEM (FREON HFC134a)



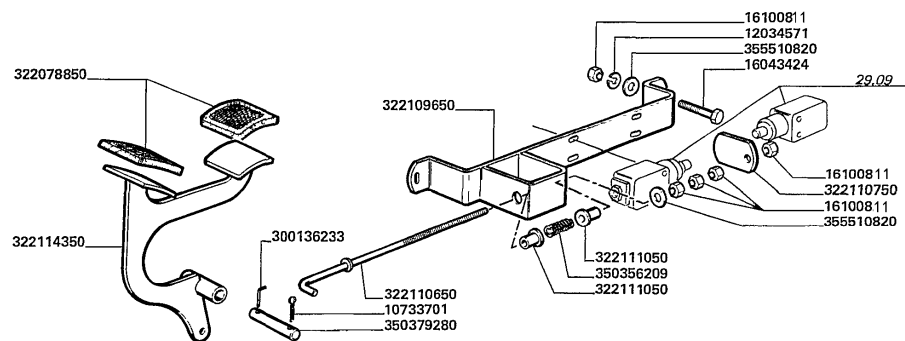
- |           |   |            |
|-----------|---|------------|
| 10902424  | 1 | SCREW      |
| 12035671  | 1 | LOCK WASHE |
| 14452883  | 6 | O-RING     |
| 14453083  | 1 | O-RING     |
| 14453283  | 5 | O-RING     |
| 15896211  | 1 | NUT        |
| 321805050 | 1 | SUPPORT    |
| 322788550 | 1 | CONDENSER  |
| 322790800 | 1 | PIPE       |
| 322790900 | 1 | PIPE       |
| 322791000 | 1 | PIPE       |
| 322791100 | 1 | PIPE       |
| 322794800 | 1 | WIRE/CABLE |
| 322801050 | 1 | FILTER     |
| 322801150 | 1 | PRESSURE S |
| 322804150 | 1 | ANGULAR    |
| 355500715 | 1 | WASHER     |
| 5165548   | 1 | COMPRESSOR |

Drive's platform



MTB "MCS - LX - 2350 LX LS  
LXE - LS"

CONTROL REEL VARIATOR



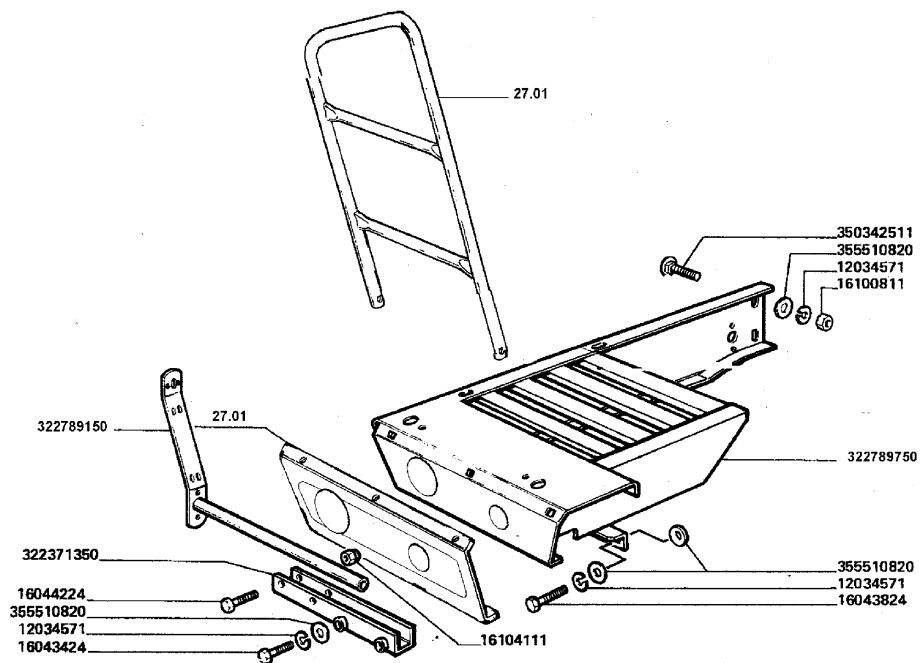
- 10733701
- 12034571
- 16043424
- 16100811
- 300136233
- 322078850
- 322109650
- 322110650
- 322110750
- 322111050
- 322114350
- 350356209
- 350379280
- 355510820

- 1 LINCH PIN
- 2 LOCK WASHE
- 2 SCREW
- 6 NUT
- 1 DOWEL
- 2 PAD,RUBBER
- 1 SUPPORT
- 1 TIE ROD
- 1 PLATE
- 2 BUSH
- 1 PEDAL
- 1 SPRING
- 1 DOWEL
- 4 WASHER

Drive's platform

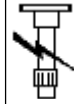
PLATFORM FOOTBOARDS page3

MTB "MCS - LX - 2350 LX LS  
LXE - LS"

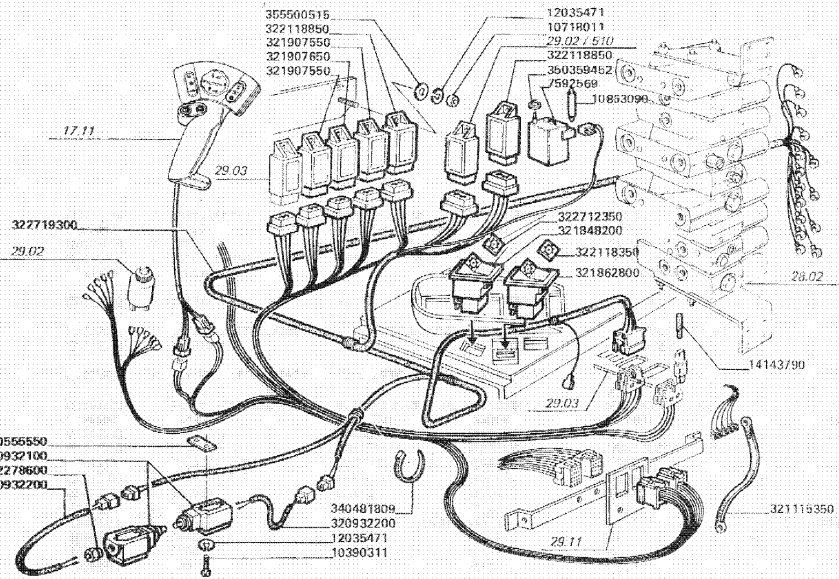


12034571  
16043424  
16043824  
16044224  
16100811  
16104111  
322371350  
322789150  
322789750  
350342511  
355510820

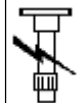
46 LOCK WASHE  
15 SCREW  
4 SCREW  
4 SCREW  
28 NUT  
4 NUT  
1 SUPPORT  
1 MOLDING  
1 FLOOR  
8 SCREW  
47 WASHER



MTB "MCS - LX - 2350 LX LS  
LXE - LS"

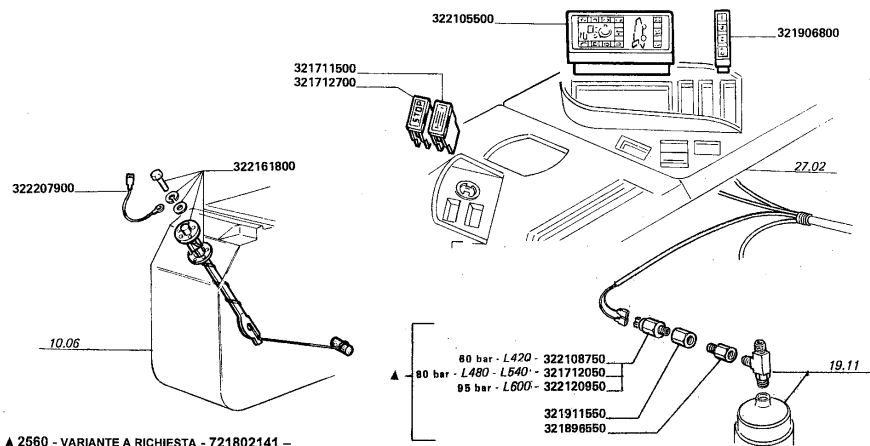


- |           |              |
|-----------|--------------|
| 10390311  | 4 SCREW      |
| 10718011  | 5 NUT        |
| 10863090  | 1 LAMPADA    |
| 12035471  | 9 LOCK WASHE |
| 14143790  | 2 LAMPADA    |
| 320555550 | 2 PLATE      |
| 320932100 | 2 SWITCH     |
| 320932200 | 2 WIRE/CABLE |
| 321115350 | 1 EARTH WIRE |
| 321848200 | 1 BUTTON     |
| 321862800 | 2 BUTTON     |
| 321907550 | 2 ELECTRONIC |
| 321907650 | 1 ELECTRONIC |
| 322118350 | 1 PLATE      |
| 322118850 | 2 ELECTRONIC |
| 322278600 | 2 CABLE CLIP |
| 322712350 | 1 PLATE      |
| 322719300 | 1 WIRE/CABLE |
| 340481809 | 35 CLAMP     |
| 350359452 | 1 PLUG       |
| 355500515 | 5 WASHER     |
| 7592569   | 1 LAMPADA    |



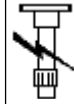
MTB "MCS - LX - 2350 LX LS  
LXE - LS"

- 321711500 1 INDICATOR
- 321712050 1 PRESSURE S
- 321712700 1 LIGHT
- 321896550 1 UNION
- 321906800 1 INDICATOR
- 321911550 1 UNION
- 322105500 1 INDICATOR
- 322108750 1 PRESSURE S
- 322120950 1 PRESSURE S
- 322161800 1 THROTTLE
- 322207900 1 EARTH WIRE



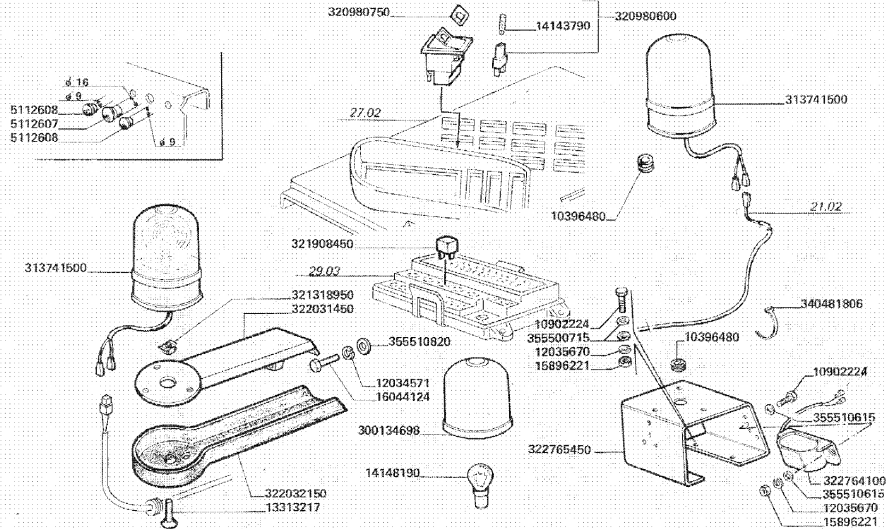
▲ 2560 - VARIANTE A RICHIESTA - 721802141 -  
A LA DEMANDE - AUF WUNSCH - OPTIONAL - A PEDIDO

Eletrical System

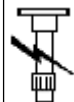


MTB "MCS - LX - 2350 LX LS  
LXE - LS"

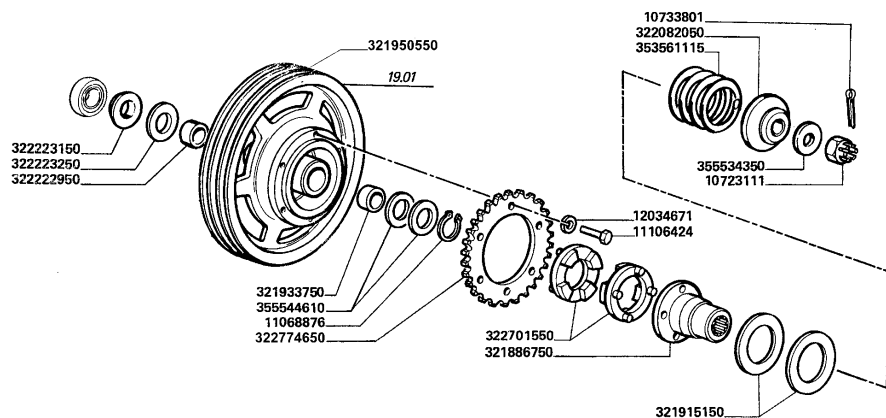
BEACON LIGHT WITH CAB



- |           |              |
|-----------|--------------|
| 10396480  | 2 RING       |
| 10902224  | 5 SCREW      |
| 12034571  | 2 LOCK WASHE |
| 12035670  | 5 LOCK WASHE |
| 13313217  | 2 SCREW      |
| 14143790  | 1 LAMPADA    |
| 14148190  | 2 LAMPADA    |
| 15896221  | 2 NUT        |
| 16044124  | 2 SCREW      |
| 300134698 | 2 COVER      |
| 313741500 | 2 LIGHT      |
| 320980600 | 1 BUTTON     |
| 320980750 | 1 PLATE      |
| 321190450 | 1 GASKET     |
| 321318950 | 2 NUT        |
| 321908450 | 1 SWITCH, RE |
| 322031450 | 1 BRACKET PL |
| 322032150 | 1 PANEL      |
| 322764100 | 1 BUZZER     |
| 322765450 | 1 SUPPORT    |
| 340481806 | 16 CLAMP     |
| 355500715 | 6 WASHER     |
| 355510615 | 2 WASHER     |
| 355510820 | 2 WASHER     |
| 5112607   | 1 PLUG       |
| 5112608   | 2 PLUG       |

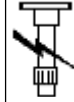


MTB "MCS - LX - 2350 LX LS  
LXE - LS"



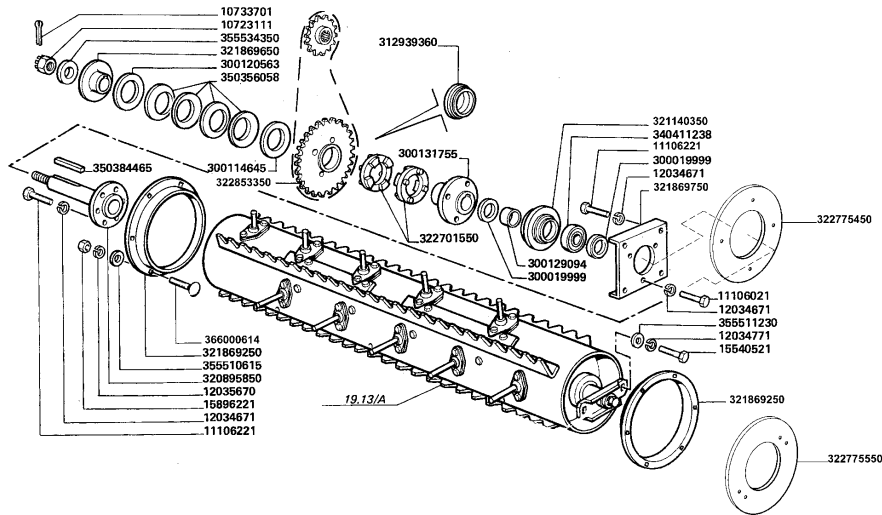
- |           |                    |               |
|-----------|--------------------|---------------|
| 10723111  |                    | 1 NUT         |
| 10733801  |                    | 1 LINCH PIN   |
| 11068876  |                    | 1 SPRING LOC  |
| 11106424  |                    | 12 SCREW      |
| 12034671  |                    | 56 LOCK WASHE |
| 321886750 | ● 003218867503 (1) | 1 HUB         |
| 321915150 | ● 003219151505 (2) | 2 WASHER      |
| 321933750 |                    | 1 BEARING     |
| 321950550 |                    | 1 PULLEY      |
| 322082050 |                    | 1 WASHER      |
| 322222950 |                    | 1 BEARING     |
| 322223150 |                    | 1 WASHER      |
| 322223250 |                    | 1 WASHER      |
| 322701550 |                    | 0 SLEEVE      |
| 322774650 |                    | 1 GEAR        |
| 353561115 |                    | 1 SPRING      |
| 355534350 |                    | 1 WASHER      |
| 355544610 |                    | 4 WASHER      |

Elevator



MTB "MCS - LX - 2350 LX LS  
LXE - LS"

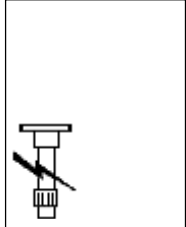
FEEDER ROLLER page 2



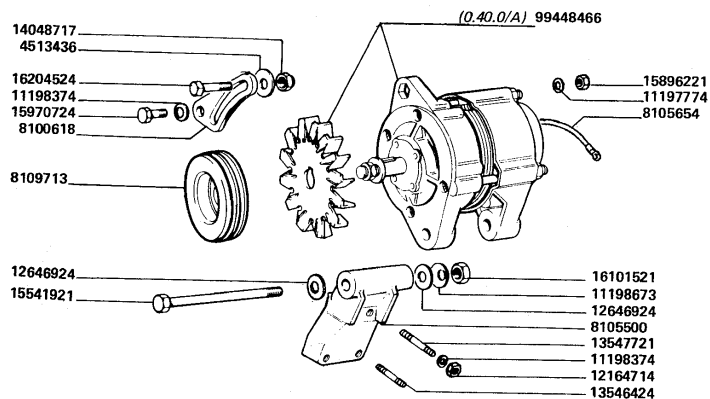
- 10723111 1 NUT
- 10733701 1 LINCH PIN
- 11106021 4 SCREW
- 11106221 8 SCREW
- 12034671 18 LOCK WASHE
- 12034771 2 LOCK WASHE
- 12035670 ● 000120356710 (12) 12 LOCK WASHE
- 15540521 2 SCREW
- 15896221 12 NUT
- 300019999 2 SPACER
- 300114645 1 WASHER
- 300120563 ● 003001205635 (1) 1 WASHER
- 300129094 1 BUSH
- 300131755 1 HUB
- 312939360 1 BUSH
- 320895850 1 SHAFT
- 321140350 1 SUPPORT
- 321869250 2 RING
- 321869650 1 WASHER
- 321869750 1 PLATE RETA
- 322701550 0 SLEEVE
- 322775450 1 DISC
- 322775550 1 DISC
- 322853350 1 GEAR
- 340411238 1 BEARING
- 350356058 5 SPRING
- 350384465 1 KEY
- 355510615 12 WASHER
- 355511230 2 WASHER
- 355534350 1 WASHER
- 36600614 12 SCREW

Engine

MTB "MCS - LX - 2350 LX LS  
LXE - LS"

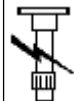


ALTERNATOR



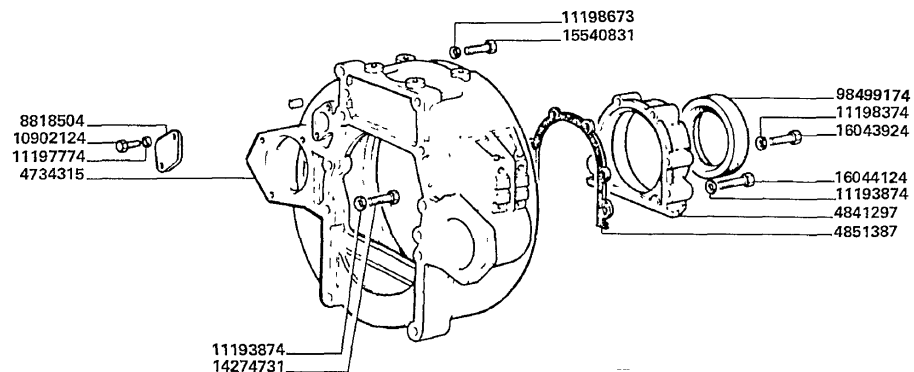
- |          |                    |              |
|----------|--------------------|--------------|
| 11197774 |                    | 1 LOCK WASHE |
| 11198374 |                    | 2 LOCK WASHE |
| 11198673 | ● 000111907740 (1) | 1 LOCK WASHE |
| 12164714 | ● 000121647210 (3) | 3 NUT        |
| 12646924 |                    | 1 LOCK WASHE |
| 13546424 |                    | 2 STUD       |
| 13547721 |                    | 1 STUD       |
| 14048717 |                    | 1 NUT        |
| 15541921 |                    | 1 SCREW      |
| 15896221 |                    | 1 NUT        |
| 15970724 |                    | 1 SCREW      |
| 16101521 |                    | 1 NUT        |
| 16204524 |                    | 1 SCREW      |
| 4513436  |                    | 1 LOCK WASHE |
| 8100618  |                    | 1 TENSIONER, |
| 8105500  |                    | 1 SUPPORT    |
| 8105654  |                    | 1 CABLE      |
| 8109713  |                    | 1 PULLEY     |
| 99448466 |                    | 1 ALTERNATOR |

Engine



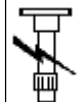
MTB "MCS - LX - 2350 LX LS  
LXE - LS"

COVERS AND BOLTED page2



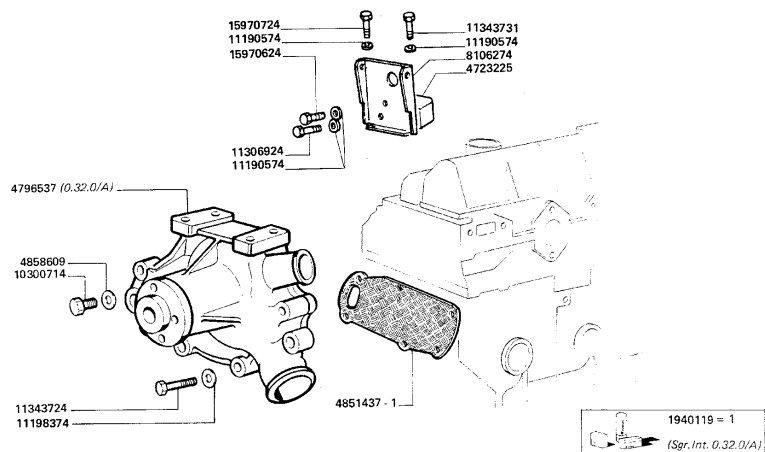
10902124		2	SCREW
11193874		28	LOCK WASHE
11197774		7	LOCK WASHE
11198374		2	LOCK WASHE
11198673	● 000111907740 (2)	2	LOCK WASHE
14274731		6	SCREW
15540831		2	SCREW
16043924		4	SCREW
16044124		2	SCREW
4734315		1	CRANKCASE
4841297		1	COVER
4851387		1	GASKET
8818504		1	COVER
98499174		1	GASKET

Engine



MTB "MCS - LX - 2350 LX LS  
LXE - LS"

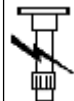
WATER PUMP



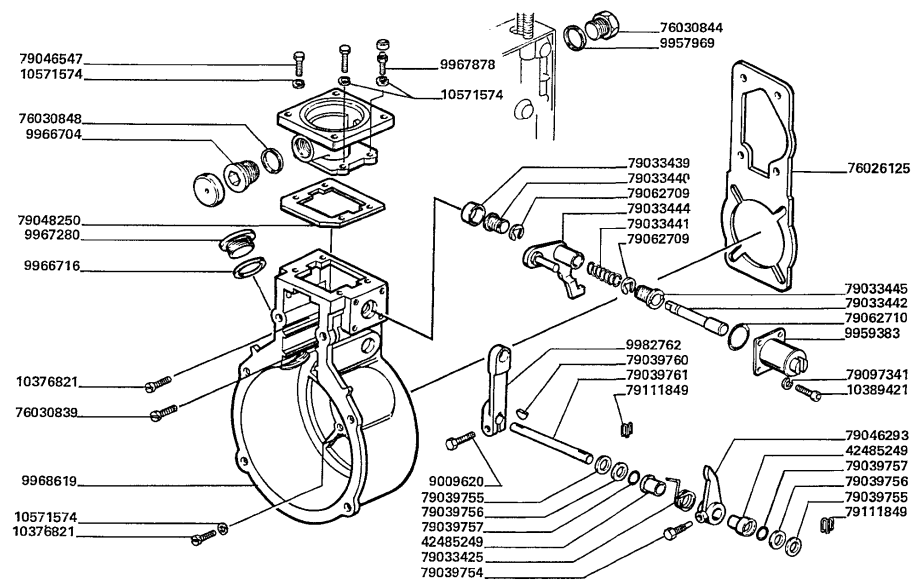
- |           |              |
|-----------|--------------|
| 10300714  | 1 PLUG       |
| 11190574  | 4 LOCK WASHE |
| 11198374  | 1 LOCK WASHE |
| 11198379  | 5 LOCK WASHE |
| 11306924  | 1 SCREW      |
| 11343724  | 5 SCREW      |
| 11343731  | 1 0 - MANCA  |
| 15970624  | 1 SCREW      |
| 15970724  | 1 SCREW      |
| 1940119=1 | 1 0 - MANCA  |
| 4723225   | 1 BLOCK      |
| 4796537   | 1 WATER PUMP |
| 4851437-1 | 1 0 - MANCA  |
| 4858609   | 1 GASKET     |
| 8106274   | 1 STIRRUP    |

Engine

INJECTION PUMP page4

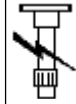


MTB "MCS - LX - 2350 LX LS  
LXE - LS"



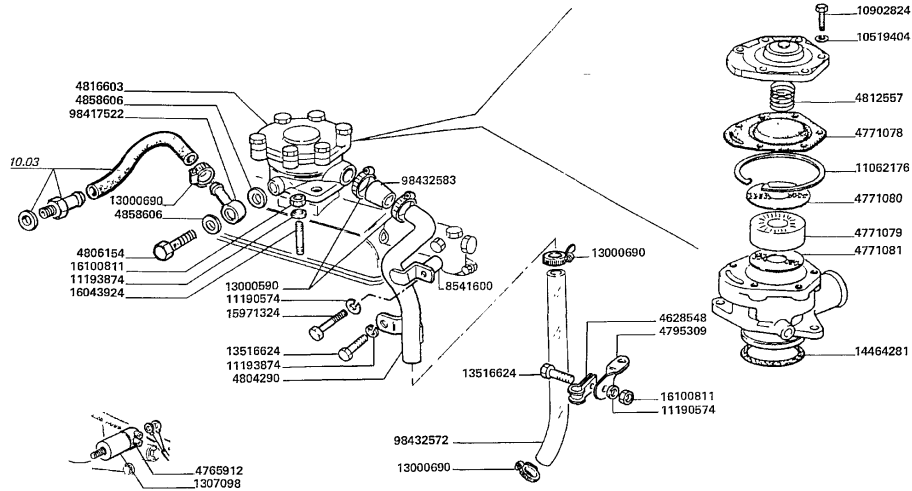
- |         |              |
|---------|--------------|
| 9959383 | 1 ELECTROMAG |
| 9966704 | 1 PLUG       |
| 9966716 | 1 GASKET     |
| 9967878 | 1 SCREW      |
| 9968619 | 1 BOX        |
| 9982762 | 1 LEVER      |

Engine



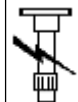
MTB "MCS - LX - 2350 LX LS  
LXE - LS"

VENT AND AIRING



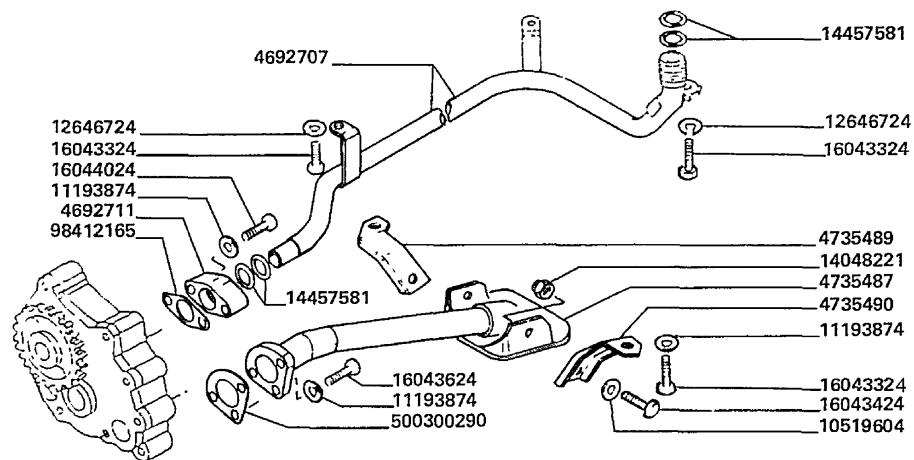
- |          |              |
|----------|--------------|
| 10519404 | 6 LOCK WASHE |
| 10902824 | 6 SCREW      |
| 11062176 | 1 SPRING LOC |
| 11190574 | 2 LOCK WASHE |
| 11193874 | 3 LOCK WASHE |
| 13000590 | 2 CONNECTOR  |
| 13000690 | 2 COLLAR     |
| 1307098  | 1 TOOL       |
| 13516624 | 2 STUD       |
| 14464281 | 1 O-RING     |
| 15971321 | 1 SCREW      |
| 16043924 | 2 SCREW      |
| 16100811 | 3 NUT        |
| 4628548  | 1 COLLAR     |
| 4765912  | 1 PROTECTION |
| 4771078  | 1 MEMBRANE   |
| 4771079  | 1 ELEMENT,FI |
| 4771080  | 1 PRIMER PAI |
| 4771081  | 1 PRIMER PAI |
| 4795309  | 1 STIRRUP    |
| 4804290  | 1 STANDPIPE  |
| 4806154  | 2 BOLT, BANJ |
| 4812557  | 1 SPRING     |
| 4816603  | 1 BREATHER   |
| 4858606  | 4 WASHER     |
| 8541600  | 1 SPACER     |
| 98417522 | 1 UNION      |
| 98432583 | 1 SLEEVE     |

Engine



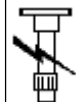
MTB "MCS - LX - 2350 LX LS  
LXE - LS"

OIL LINES page1



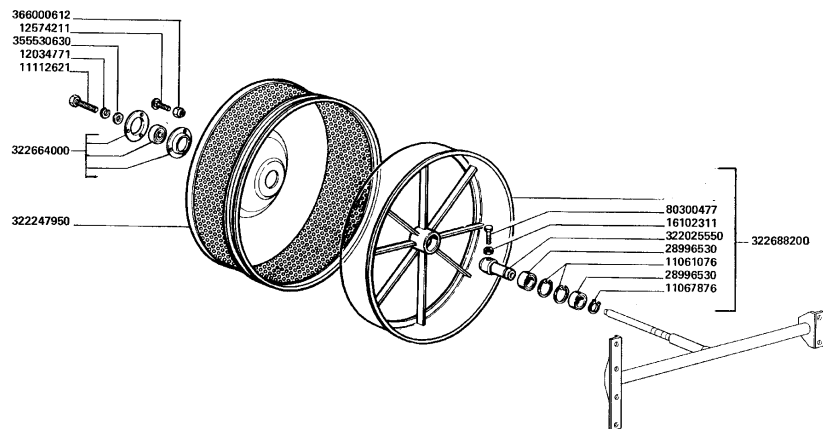
- |           |               |
|-----------|---------------|
| 10519604  | 2 LOCK WASHE  |
| 11193874  | 13 LOCK WASHE |
| 12646724  | 2 LOCK WASHE  |
| 14048221  | 2 NUT         |
| 14457581  | 4 O-RING      |
| 16043324  | 3 SCREW       |
| 16043424  | 2 SCREW       |
| 16043624  | 3 SCREW       |
| 16044024  | 2 SCREW       |
| 4692707   | 1 STANDPIPE   |
| 4692711   | 1 UNION       |
| 4735487   | 1 STANDPIPE   |
| 4735489   | 1 STIRRUP     |
| 4735490   | 1 STIRRUP     |
| 500300290 | 1 GASKET      |
| 98412165  | 1 GASKET      |

ENGINE INSTALLATION



MTB "MCS - LX - 2350 LX LS  
LXE - LS"

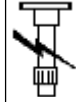
RADIATOR FILTER page2



- |           |    |            |
|-----------|----|------------|
| 11061076  | 1  | SPRING LOC |
| 11067876  | 1  | SPRING LOC |
| 11112621  | 1  | SCREW      |
| 12034771  | 1  | LOCK WASHE |
| 12574211  | 22 | NUT        |
| 16102311  | 2  | NUT        |
| 28996530  | 1  | BEARING    |
| 322025550 | 1  | BUSH       |
| 322247950 | 1  | FILTER     |
| 322664000 | 1  | SUPPORT    |
| 322688200 | 1  | RING       |
| 355530630 | 1  | WASHER     |
| 36600612  | 3  | SCREW      |
| 80300477  | 1  | SCREW      |

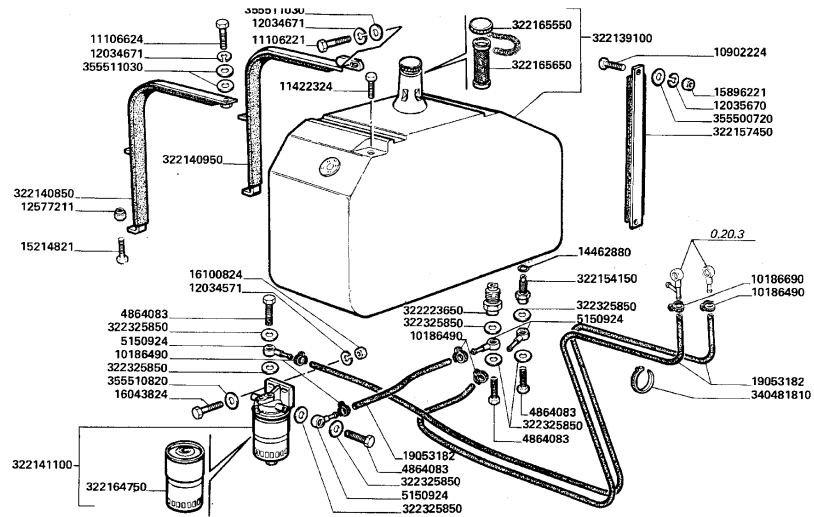
● 00003004770 (1)

ENGINE INSTALLATION



MTB "MCS - LX - 2350 LX LS  
LXE - LS"

FUEL TANK page1



- |           |                    |              |
|-----------|--------------------|--------------|
| 322325850 |                    | 6 WASHER     |
| 340481810 |                    | 2 CLAMP      |
| 355500720 | ● 003555007150 (2) | 2 WASHER     |
| 355510820 |                    | 16 WASHER    |
| 355511030 |                    | 6 WASHER     |
| 4864083   |                    | 3 BOLT, BANJ |
| 5150924   |                    | 3 UNION      |

CLICK HERE TO **DOWNLOAD** THE COMPLETE MANUAL

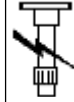
- Thank you very much for reading the preview of the manual.
- You can download the complete manual from: [www.heydownloads.com](http://www.heydownloads.com) by clicking the link below



- Please note: If there is no response to CLICKING the link, please download this PDF first and then click on it.

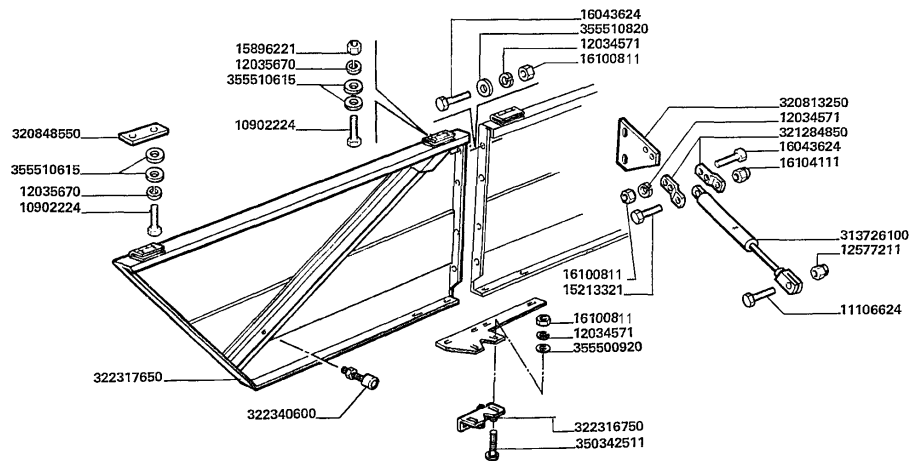
CLICK HERE TO **DOWNLOAD** THE COMPLETE MANUAL

Guard



R.H. REAR SIDE WALL GUARD page1

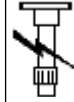
MTB "MCS - LX - 2350 LX LS  
LXE - LS"



- 10902224
- 11106624
- 12034571
- 12035670
- 12577211
- 15213321
- 15896221
- 16043624
- 16100811
- 16104111
- 313726100
- 320813250
- 320848550
- 321284850
- 322316750
- 322317650
- 322340600
- 350342511
- 355500920
- 355510615
- 355510820
- 320813250
- 12034571
- 321284850
- 16043624
- 16104111
- 313726100
- 12577211
- 11106624
- 16100811
- 15213321
- 16100811
- 12034571
- 355500920
- 322316750
- 350342511
- 8 SCREW
- 1 SCREW
- 27 LOCK WASHE
- 8 LOCK WASHE
- 1 NUT
- 1 SCREW
- 6 NUT
- 6 SCREW
- 27 NUT
- 1 NUT
- 1 SPRING
- 1 STIRRUP
- 1 RETAINING
- 2 PLATE
- 1 LOCK
- 1 LID
- 1 BLOCK
- 2 SCREW
- 14 WASHER
- 16 WASHER
- 1 WASHER

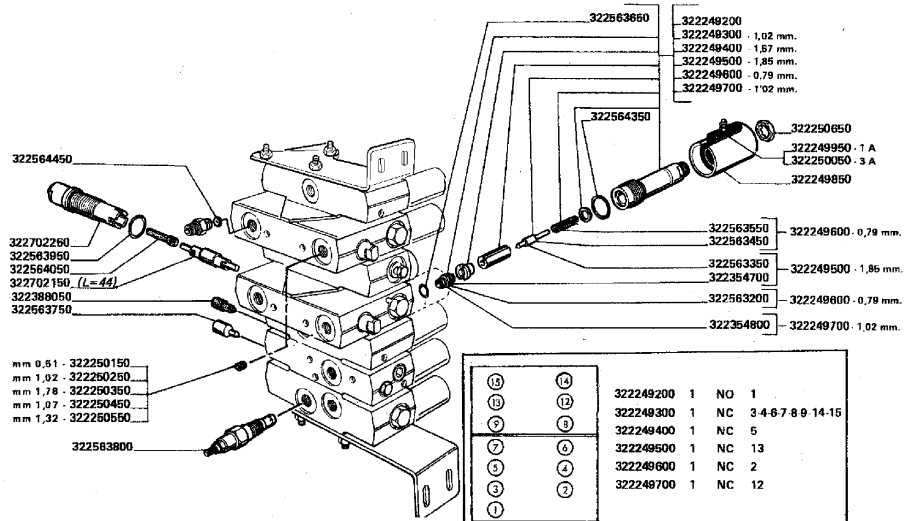
● 000120356710 (8)

Hydraulic System



VALVE-CHEST ELEMENTS page2

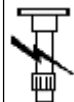
MTB "MCS - LX - 2350 LX LS  
LXE - LS"



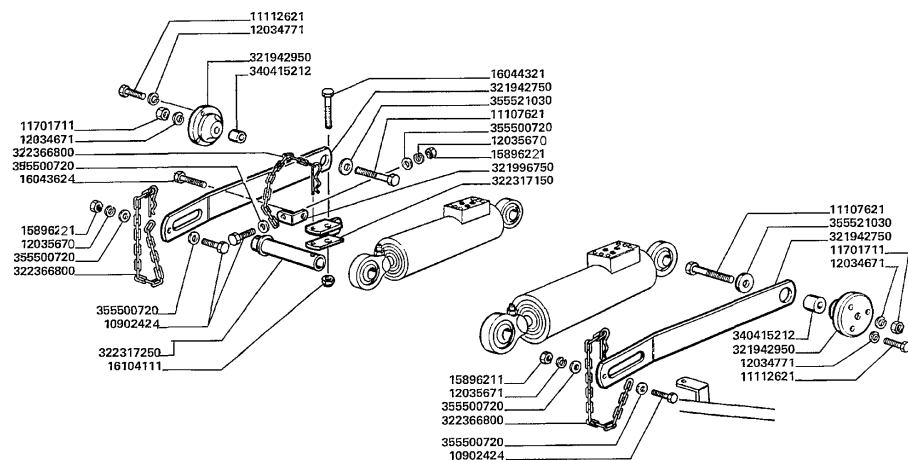
- 322249200 1 VALVE
- 322249300 1 VALVE
- 322249400 1 VALVE
- 322249500 1 VALVE
- 322249600 1 VALVE
- 322249700 1 VALVE
- 322249850 15 SHIELD
- 322249950 2 MAGNET
- 322250050 13 MAGNET
- 322250150 1 VALVE
- 322250250 1 VALVE
- 322250350 2 VALVE
- 322250450 2 VALVE
- 322250550 1 VALVE
- 322250650 15 NUT
- 322354700 1 VALVE
- 322354800 1 VALVE
- 322388050 1 VALVE
- 322563200 1 VALVE
- 322563350 1 PIN
- 322563450 1 PIN
- 322563550 1 SPRING
- 322563650 1 GASKET
- 322563750 1 VALVE
- 322563800 1 VALVE
- 322563950 1 GASKET
- 322564050 1 PLUNGER
- 322564350 1 GASKET
- 322564450 1 BRAKE, PAD
- 322702150 0 PLUNGER
- 322702250 0 PROTECTION

Hydraulic System

MACHINE LEVELLING SYSTEM page 6

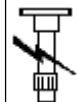


MTB "MCS - LX - 2350 LX LS  
LXE - LS"



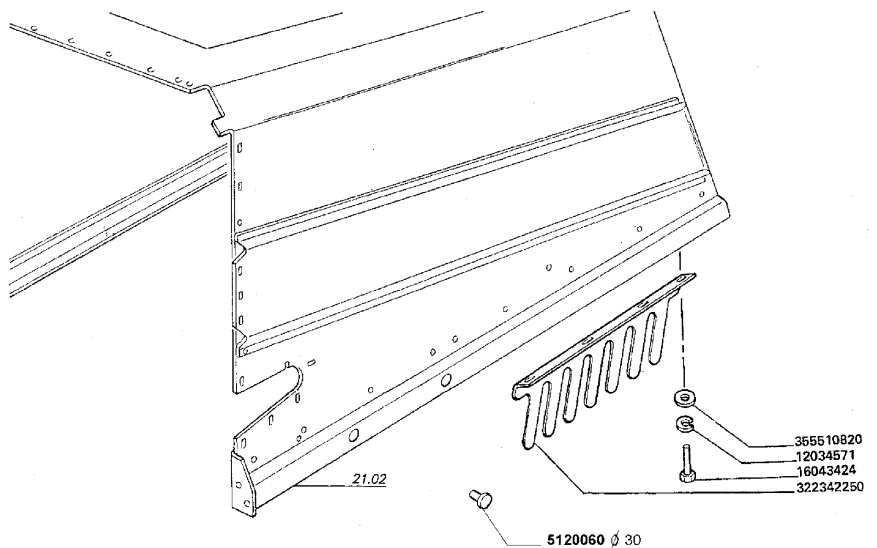
- |           |                    |              |
|-----------|--------------------|--------------|
| 10902424  |                    | 2 SCREW      |
| 11107621  |                    | 2 SCREW      |
| 11112621  |                    | 6 SCREW      |
| 11701711  |                    | 1 NUT        |
| 11701721  |                    | 1 NUT        |
| 12034671  |                    | 2 LOCK WASHE |
| 12034771  |                    | 2 LOCK WASHE |
| 12035670  | ● 000120356710 (3) | 3 LOCK WASHE |
| 15896221  |                    | 3 NUT        |
| 16043624  |                    | 1 SCREW      |
| 16044321  |                    | 1 SCREW      |
| 16104111  |                    | 1 NUT        |
| 321942750 |                    | 2 BASE PLATE |
| 321942950 |                    | 2 PIN        |
| 321996750 |                    | 1 BRACKET, S |
| 322317150 |                    | 1 SUPPORT    |
| 322317250 |                    | 1 BACKBONE   |
| 322366800 |                    | 3 LATCH      |
| 340415212 |                    | 2 SPACER     |
| 355500720 | ● 003555007150 (5) | 5 WASHER     |
| 355521030 |                    | 2 WASHER     |

STRAW WALKERS



MTB "MCS - LX - 2350 LX LS  
LXE - LS"

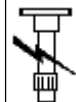
SWATHER RAKE



- 12034571
- 16043424
- 322342250
- 355510820
- 5120060

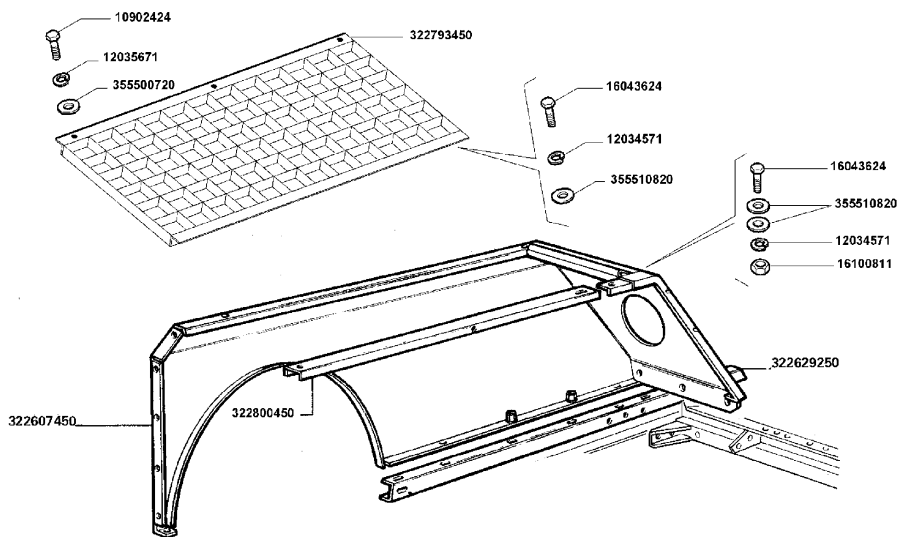
- 4 LOCK WASHE
- 4 SCREW
- 1 RAKE
- 4 WASHER
- 1 PLUG

Tank and fairings



BODY, R.H. FOR ENGINE page3

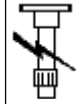
MTB "MCS - LX - 2350 LX LS  
LXE - LS"



- |           |              |
|-----------|--------------|
| 10902424  | 3 SCREW      |
| 12034571  | 4 LOCK WASHE |
| 12035671  | 3 LOCK WASHE |
| 16043624  | 4 SCREW      |
| 16100811  | 4 NUT        |
| 322607450 | 1 COVER      |
| 322629250 | 1 PROFILE    |
| 322793450 | 1 FLOOR      |
| 322800450 | 1 REINFORCEM |
| 355500720 | 3 WASHER     |
| 355510820 | 9 WASHER     |

● 003555007150 (3)

Tank and fairings

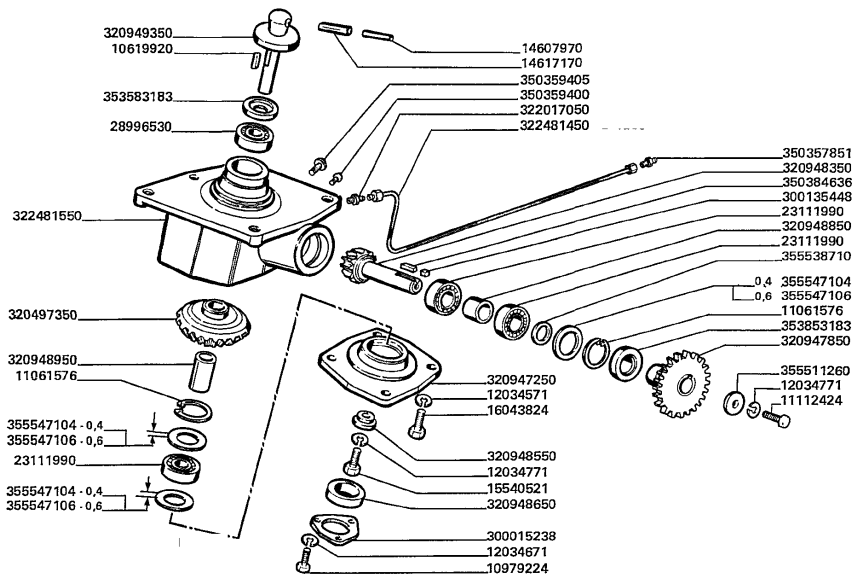


MTB "MCS - LX - 2350 LX LS  
LXE - LS"

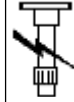
LOWER CASE ELEMENTS

355547104  
355547106

6 WASHER  
6 WASHER

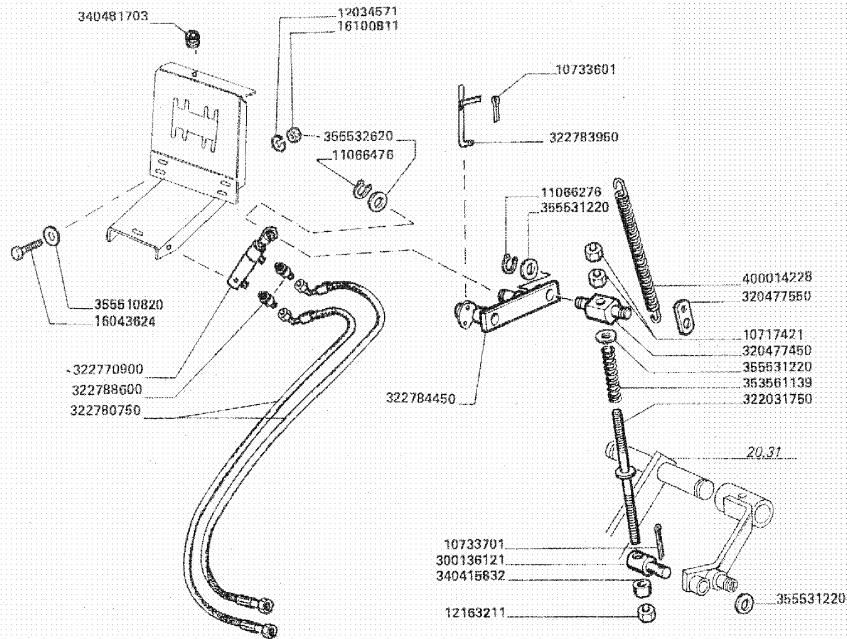


Tank and fairings



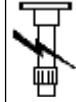
MTB "MCS - LX - 2350 LX LS  
LXE - LS"

DRIVE AND UNLOADING TANK CLUTCH page1



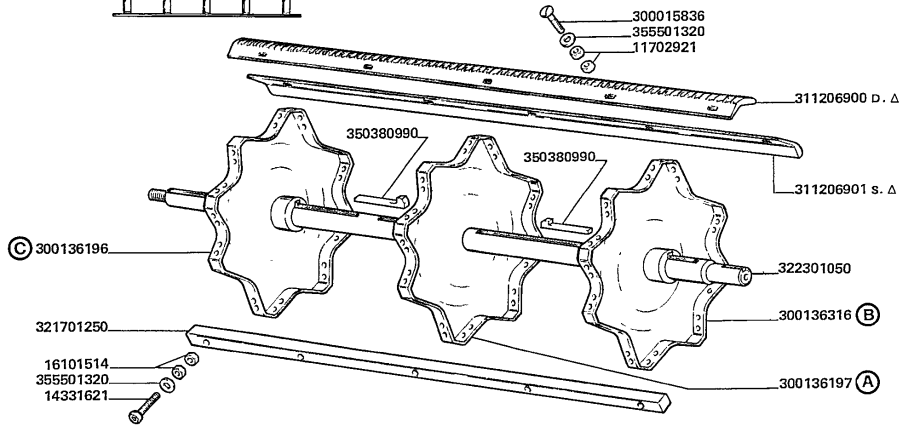
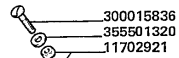
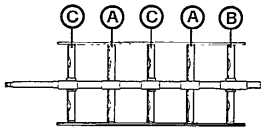
- |           |              |
|-----------|--------------|
| 10717421  | 2 NUT        |
| 10733701  | 1 LINCH PIN  |
| 10734601  | 3 LINCH PIN  |
| 11066276  | 4 SPRING LOC |
| 11066476  | 1 SPRING LOC |
| 12034571  | 9 LOCK WASHE |
| 12163211  | 3 NUT        |
| 15214721  | 1 SCREW      |
| 16043624  | 7 SCREW      |
| 16100811  | 9 NUT        |
| 300136121 | 1 BALL JOINT |
| 320477450 | 1 BALL JOINT |
| 320477550 | 1 PLATE      |
| 322031750 | 1 TIE ROD    |
| 322770900 | 1 JACK       |
| 322780750 | 2 HOSE       |
| 322783950 | 1 TIE ROD    |
| 322784450 | 1 LEVER LEAD |
| 322788600 | 2 UNION      |
| 340415832 | 1 BUSH       |
| 340481703 | 1 GROMMET    |
| 353561139 | 1 SPRING     |
| 355510820 | 13 WASHER    |
| 355531220 | 4 WASHER     |
| 355532620 | 1 WASHER     |
| 400014228 | 1 SPRING     |

**THRESHER**



MTB "MCS - LX - 2350 LX LS  
LXE - LS"

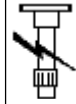
**DRUM WITH BARS**



- 11702921
- 14331621
- 16101514
- 300015836
- 300136196
- 300136197
- 300136316
- 311206900
- 311206901
- 321701250
- 322301050
- 350380990
- 355501320

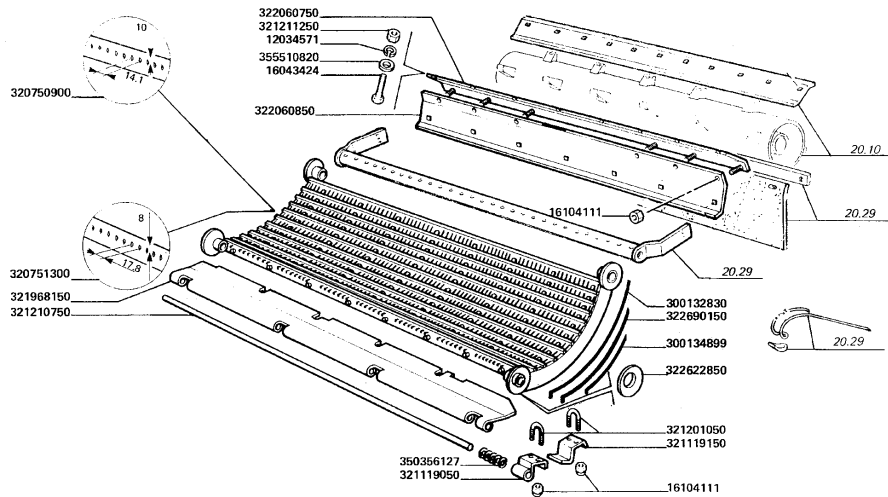
- 80 NUT
- 40 SCREW
- 80 NUT
- 40 SCREW
- 2 SUPPORT
- 2 SUPPORT
- 1 SUPPORT
- 2 PAIR BAR P
- 2 PAIR BAR P
- 8 BAR
- 1 MAST
- 3 KEY
- 80 WASHER

THRESHER



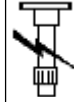
MTB "MCS - LX - 2350 LX LS  
LXE - LS"

CONCAVE



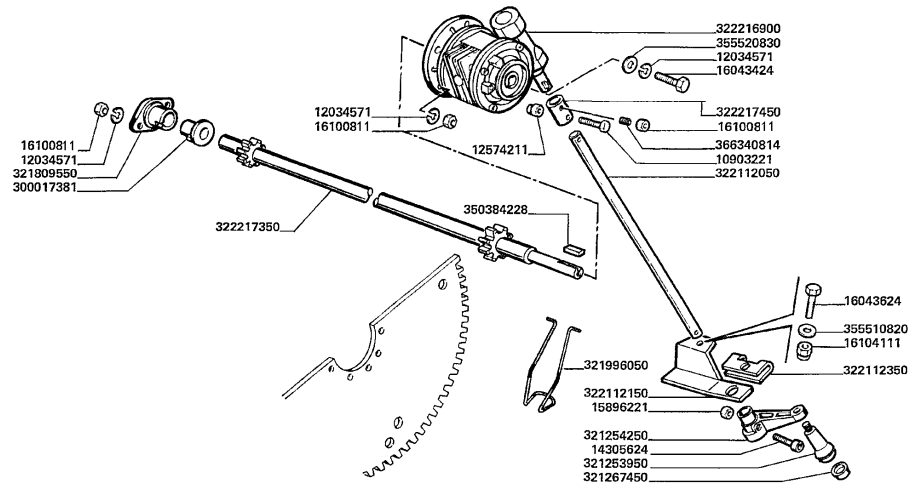
- |           |                    |              |
|-----------|--------------------|--------------|
| 12034571  |                    | 7 LOCK WASHE |
| 16043424  |                    | 7 SCREW      |
| 16104111  |                    | 20 NUT       |
| 300132830 |                    | 1 WIRE, RETA |
| 300134899 |                    | 1 WIRE, RETA |
| 320750900 | ● 003234133500 (1) | 1 CONCAVE    |
|           | 003234123005 (4)   |              |
| 320751300 | ● 003234133500 (1) | 1 CONCAVE    |
|           | 003234123005 (4)   |              |
| 321119050 |                    | 4 HINGE      |
| 321119150 |                    | 3 SUPPORT    |
| 321201050 |                    | 7 BRIDLE     |
| 321210750 |                    | 1 DOWEL      |
| 321211250 |                    | 7 NUT        |
| 321968150 |                    | 1 PANEL      |
| 322060750 |                    | 1 PLATE      |
| 322060850 |                    | 1 PROFILE    |
| 322622850 |                    | 1 WASHER     |
| 322690150 |                    | 1 WIRE, RETA |
| 350356127 |                    | 1 SPRING     |
| 355510820 |                    | 7 WASHER     |

THRESHER



MTB "MCS - LX - 2350 LX LS  
LXE - LS"

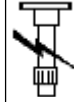
MULTI CROP SEPARATOR page4



- |           |    |            |
|-----------|----|------------|
| 10903221  | 1  | SCREW      |
| 12034571  | 11 | LOCK WASHE |
| 12574211  | 3  | NUT        |
| 14305624  | 1  | SCREW      |
| 15896221  | 1  | NUT        |
| 16043424  | 1  | SCREW      |
| 16043624  | 3  | SCREW      |
| 16100811  | 7  | NUT        |
| 16104111  | 7  | NUT        |
| 300017381 | 1  | BUSH       |
| 321253950 | 1  | HANDLE GRI |
| 321254250 | 1  | CRANK      |
| 321267450 | 1  | PLUG       |
| 321809550 | 1  | SUPPORT    |
| 321996050 | 1  | HOOK       |
| 322112050 | 1  | ROD        |
| 322112150 | 1  | SUPPORT    |
| 322112350 | 1  | CLAW       |
| 322216900 | 1  | GEAR REDUC |
| 322217350 | 1  | SHAFT      |
| 322217450 | 1  | BUSH       |
| 350384228 | 1  | KEY        |
| 355510820 | 1  | WASHER     |
| 355520830 | 1  | WASHER     |
| 366340814 | 1  | SCREW      |

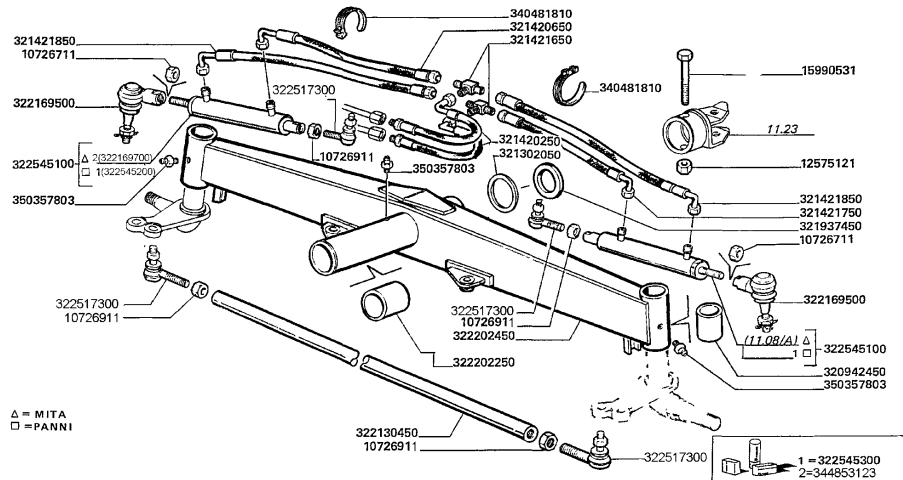
● 003218095503 (1)

Transmission



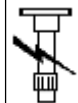
REAR AXLE - FIXE page1

MTB "MCS - LX - 2350 LX LS  
LXE - LS"



- 10726711
  - 10726911
  - 12575121
  - 15990531
  - 320942450
  - 321302050
  - 321420250
  - 321420650
  - 321421650
  - 321421750
  - 321421850
  - 321937450
  - 322130450
  - 322169500
  - 322169700
  - 322202250
  - 322202450
  - 322517300
  - 322545100
  - 322545300
  - 340481810
  - 344853123
  - 350357803
- 2 NUT
  - 3 NUT
  - 1 NUT
  - 1 SCREW
  - 4 THIMBLE
  - 1 WASHER
  - 2 HOSE
  - 1 HOSE
  - 2 UNION
  - 1 HOSE
  - 2 HOSE
  - 1 RING
  - 1 ROD
  - 2 BALL JOINT
  - 2 JACK
  - 2 BUSH
  - 1 FINGER BAR
  - 2 BALL JOINT
  - 2 JACK
  - 1 KIT SEALS
  - 2 CLAMP
  - 1 KIT SEALS
  - 5 NIPPLE, LU

Transmission

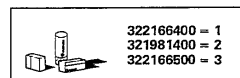
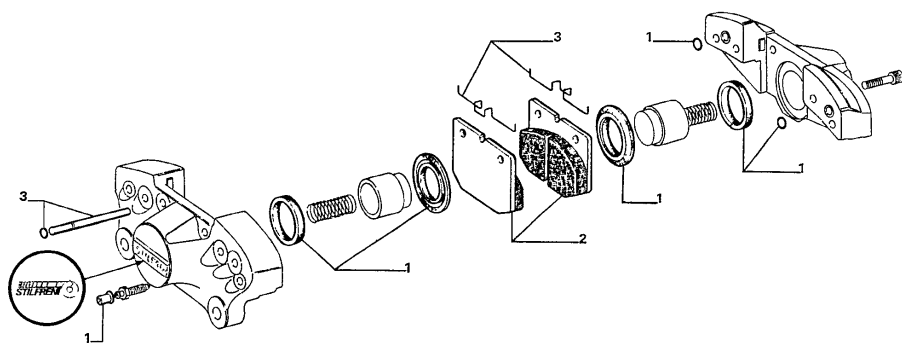


MTB "MCS - LX - 2350 LX LS  
LXE - LS"

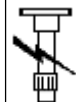
BRAKES ELEMENTS 321875800

321981400  
322166400  
322166500

1 PAD SET  
1 KIT SEALS  
1 SET OF PIV



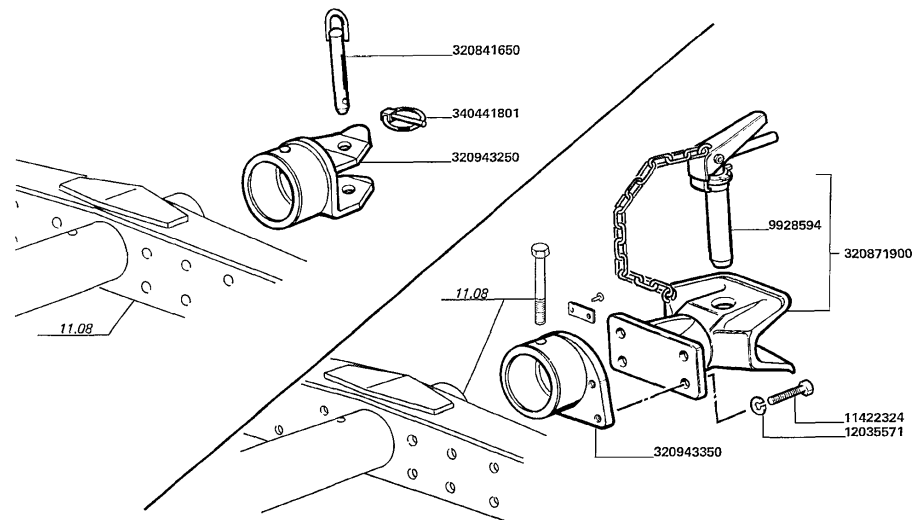
Transmission



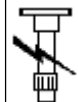
MTB "MCS - LX - 2350 LX LS  
LXE - LS"

TOW HOOK

- 11422324 ● 000114223240 (4) 4 SCREW
- 12035571 4 LOCK WASHE
- 320841650 1 PIN
- 320871900 ● 003232318000 (1) 1 TOW HOOK
- 320943250 1 TOW HOOK
- 320943350 1 HITCH
- 340441801 1 LATCH
- 9928594 1 PIN

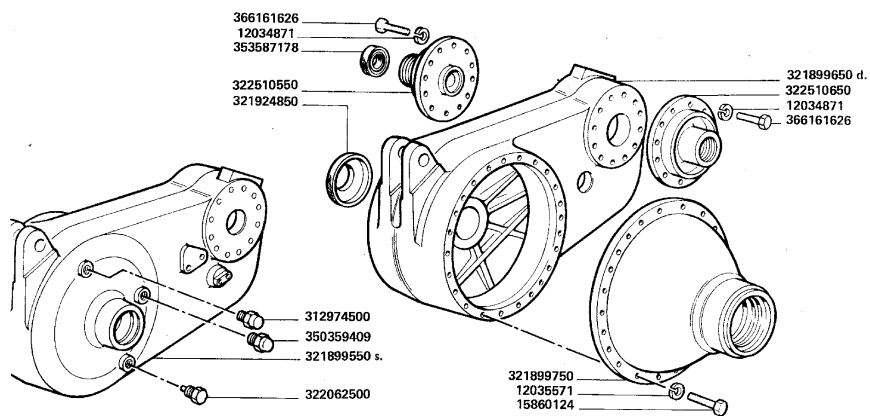


Transmission



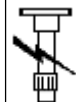
MTB "MCS - LX - 2350 LX LS  
LXE - LS"

REDUCERS page 1



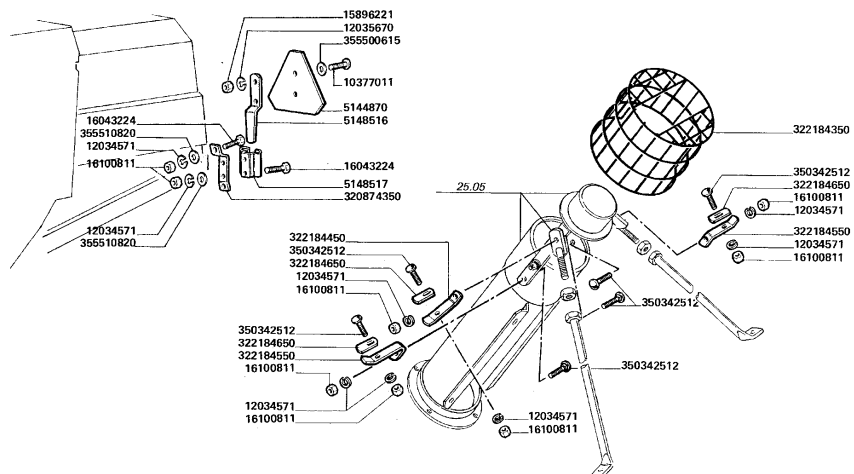
12034871		48 LOCK WASHE
12035571		48 LOCK WASHE
15860124	● 000158601240 (48)	48 SCREW
312974500		2 PLUG
321899550		1 BOX
321899650		1 BOX
321899750		1 CRANKCASE
321924850		2 COVER
322062500		2 PLUG
322510550		2 FLANGE
322510650		2 FLANGE
350359409		2 PLUG
353587178		2 GASKET
366161626		48 SCREW

VARIATIONS



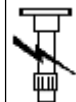
MTB "MCS - LX - 2350 LX LS  
LXE - LS"

DENMARK-SWEDEN VERSION



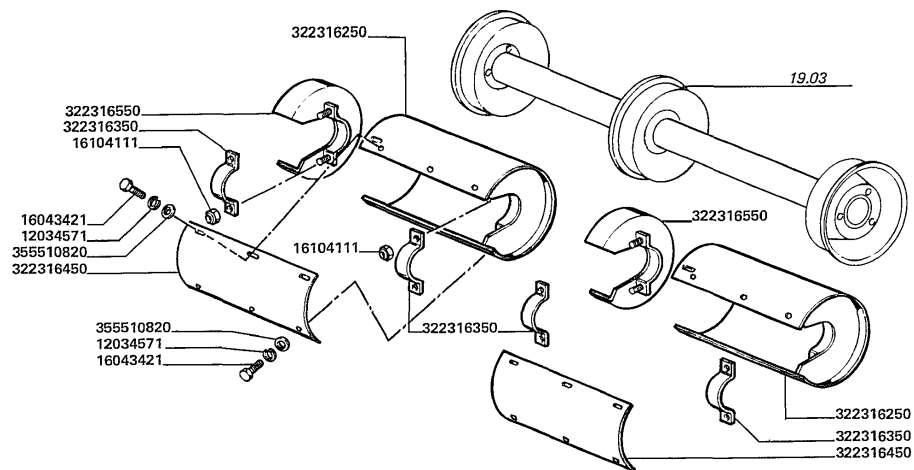
- 10377011
  - 12034571
  - 12035670
  - 15896221
  - 16043224
  - 16100811
  - 320874350
  - 322184350
  - 322184450
  - 322184550
  - 322184650
  - 350342512
  - 355510615
  - 355510820
  - 5144870
  - 5148516
  - 5148517
- 2 SCREW
  - 10 LOCK WASHE
  - 2 LOCK WASHE
  - 2 NUT
  - 2 SCREW
  - 6 NUT
  - 1 BASE PLATE
  - 1 SHIELD
  - 1 SUPPORT
  - 2 SUPPORT
  - 3 RETAINING
  - 6 SCREW
  - 2 WASHER
  - 4 WASHER
  - 1 REFLECTOR
  - 1 STIRRUP
  - 1 SUPPORT
- 000120356710 (2)

VARIATIONS



MTB "MCS - LX - 2350 LX LS  
LXE - LS"

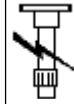
BLANKING PLATES FOR FRONT ELEVATOR ROLLE



- 12034571
- 16043421
- 16104111
- 322316250
- 322316350
- 322316450
- 322316550
- 355510820

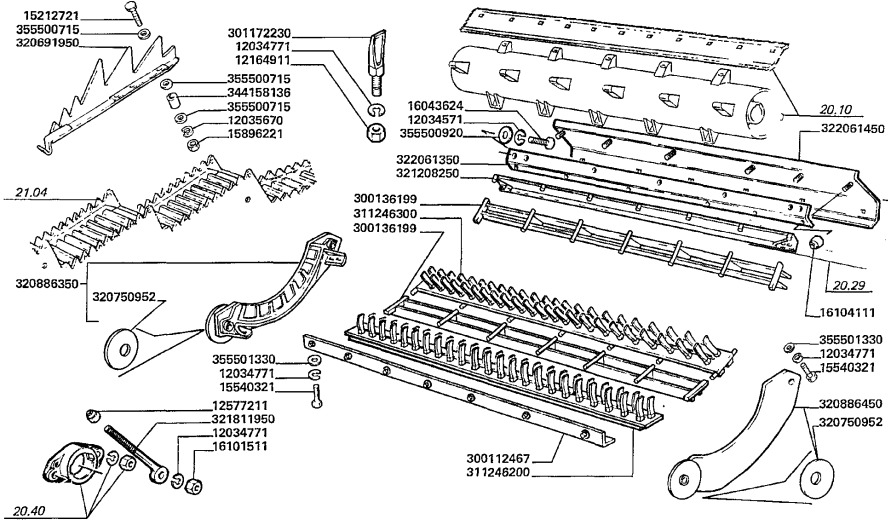
- 12 LOCK WASHE
- 12 SCREW
- 8 NUT
- 2 ENVELOPE
- 4 BRIDLE
- 2 LID
- 2 SUPPORT
- 12 WASHER

VARIATIONS



MTB "MCS - LX - 2350 LX LS  
LXE - LS"

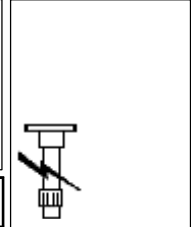
SPIKE TOOTH CONCAVE WITH TWO COMPLETE THRESING



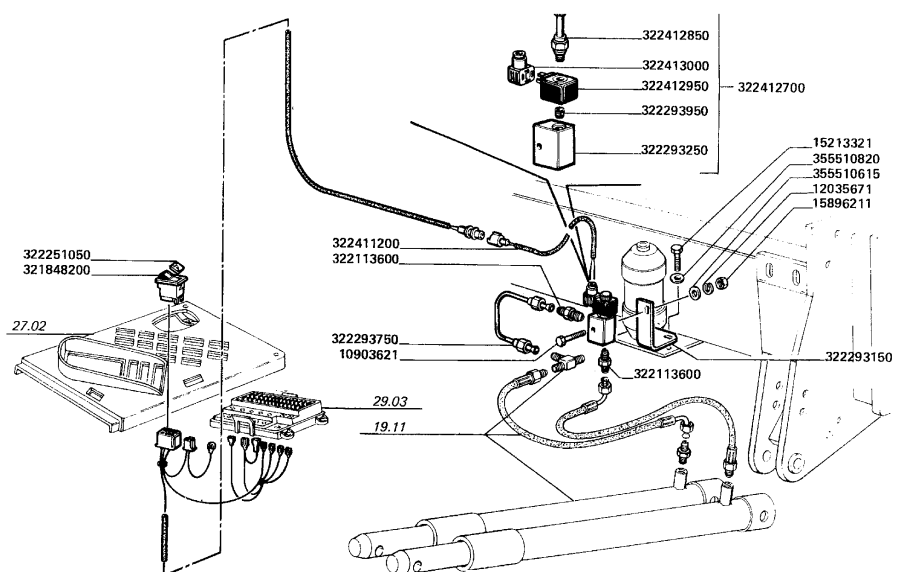
- |           |                     |               |
|-----------|---------------------|---------------|
| 12034571  |                     | 3 LOCK WASHE  |
| 12034771  |                     | 11 LOCK WASHE |
| 12035670  | ● 000120356710 (12) | 12 LOCK WASHE |
| 12164911  |                     | 1 NUT         |
| 12577211  |                     | 2 NUT         |
| 15212721  |                     | 12 SCREW      |
| 15540321  |                     | 8 SCREW       |
| 15896221  |                     | 12 NUT        |
| 16043624  |                     | 3 SCREW       |
| 16101511  |                     | 2 NUT         |
| 16104111  |                     | 6 NUT         |
| 300112467 |                     | 1 CROSSPIECE  |
| 300136199 |                     | 2 GRILLE      |
| 301172230 |                     | 1 TINE        |
| 311246200 | ● 000121649110 (12) | 1 CONCAVE     |
|           | 003011722300 (12)   |               |
|           | 000105170790 (12)   |               |
|           | 003112462010 (1)    |               |
| 311246300 |                     | 1 CONCAVE     |
| 320691950 |                     | 12 STRAW ELEV |
| 320886350 |                     | 1 BOARD       |
| 320886450 |                     | 1 BOARD       |
| 321208250 |                     | 1 CROSSPIECE  |
| 321811950 |                     | 2 TIE ROD     |
| 322061350 |                     | 1 PLATE       |
| 322061450 |                     | 1 PROFILE     |
| 322622850 |                     | 2 WASHER      |
| 344158136 |                     | 12 BUSH       |
| 355500715 |                     | 36 WASHER     |
| 355500920 |                     | 3 WASHER      |
| 355501330 |                     | 8 WASHER      |

VARIATIONS

MTB "MCS - LX - 2350 LX LS  
LXE - LS"

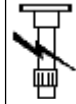


EXCLUDING DEVICE FOR ADDITIONAL CILINDER



- 10903621
  - 12035671
  - 15213321
  - 15896211
  - 321848200
  - 322113600
  - 322251050
  - 322293150
  - 322293250
  - 322293750
  - 322293950
  - 322411200
  - 322412700
  - 322412850
  - 322412950
  - 322413000
  - 355510615
  - 355510820
- 1 SCREW
  - 1 LOCK WASHE
  - 1 SCREW
  - 1 NUT
  - 1 BUTTON
  - 2 UNION
  - 1 PLATE
  - 1 SUPPORT
  - 1 BLOCK
  - 1 PIPE
  - 1 SCREW
  - 1 WIRE/CABLE
  - 1 BLOCK
  - 1 ELECTRO-VA
  - 1 SOLENOID
  - 1 SOCKET
  - 1 WASHER
  - 1 WASHER
- 003218751000 (3)  
003230753000 (1)
  - 003218751000 (2)  
003230753000 (1)

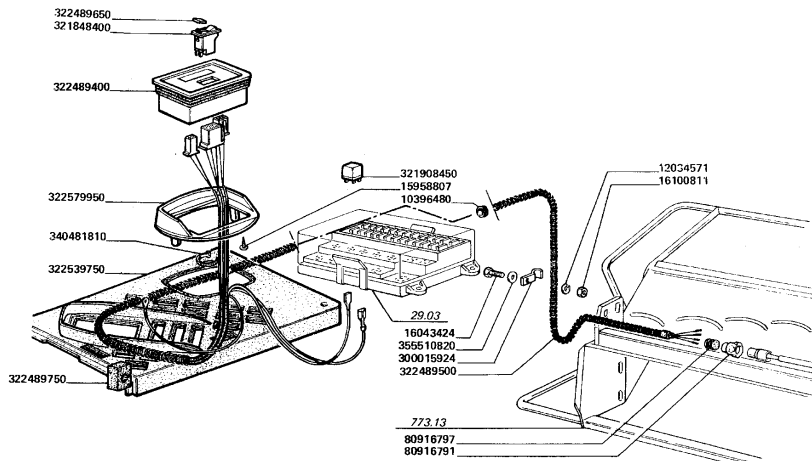
VARIATIONS



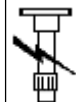
MTB "MCS - LX - 2350 LX LS  
LXE - LS"

ELECTRICAL ADJUSTMENT DEFLECTORS page1

- |           |              |
|-----------|--------------|
| 10396480  | 1 RING       |
| 12034571  | 1 LOCK WASHE |
| 15958807  | 2 SCREW      |
| 16043424  | 1 SCREW      |
| 16100811  | 1 NUT        |
| 300015924 | 2 CLAW       |
| 321848400 | 1 BUTTON     |
| 321908450 | 1 SWITCH, RE |
| 322489400 | 1 ELECTRONIC |
| 322489500 | 1 WIRE/CABLE |
| 322489650 | 1 PLATE      |
| 322489750 | 1 BLOCK      |
| 322539750 | 1 DASH BOARD |
| 322579950 | 1 SUPPORT    |
| 340481810 | 5 CLAMP      |
| 355510820 | 1 WASHER     |
| 80916791  | 1 CONNECTOR  |
| 80916797  | 1 GASKET     |

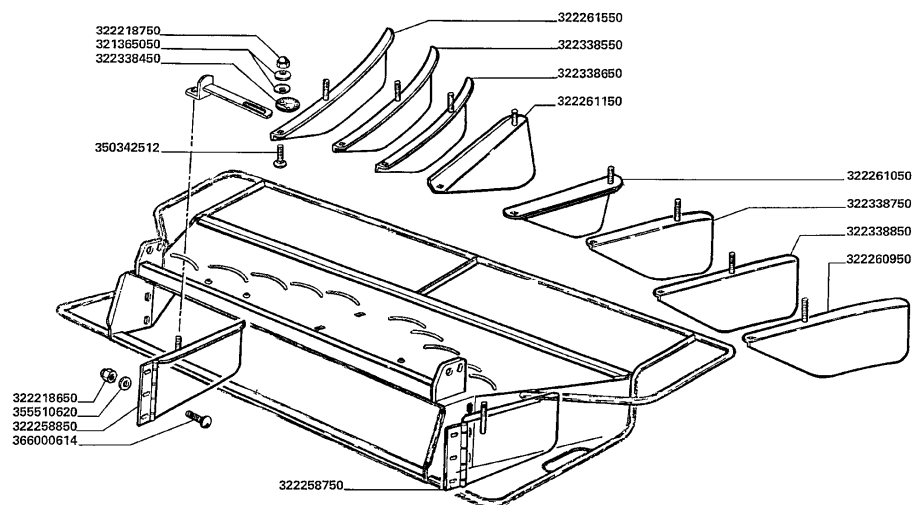


VARIATIONS



MTB "MCS - LX - 2350 LX LS  
LXE - LS"

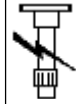
STRAW CHOPPER - DEFLECTORS



- |           |             |
|-----------|-------------|
| 321365050 | 16 SPRING   |
| 322218650 | 6 NUT       |
| 322218750 | 8 NUT       |
| 322258750 | 1 SHUNTER   |
| 322258850 | 1 SHUNTER   |
| 322260950 | 1 DEFLECTOR |
| 322261050 | 1 DEFLECTOR |
| 322261150 | 1 DEFLECTOR |
| 322261550 | 1 DEFLECTOR |
| 322338450 | 8 DISC      |
| 322338550 | 1 DEFLECTOR |
| 322338650 | 1 DEFLECTOR |
| 322338750 | 1 DEFLECTOR |
| 322338850 | 1 DEFLECTOR |
| 350342512 | 8 SCREW     |
| 355510620 | 6 WASHER    |
| 366000614 | 6 SCREW     |

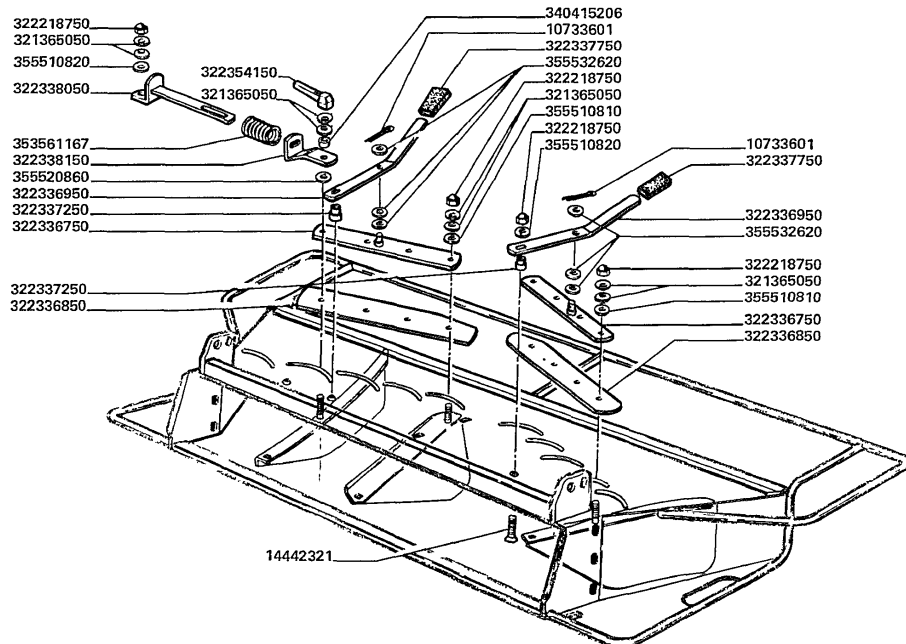
● 003555106150 (6)

VARIATIONS



MTB "MCS - LX - 2350 LX LS  
LXE - LS"

STRAW CHOPPER - DEFLECTORS ADJUSTMENT



- |           |              |
|-----------|--------------|
| 10733601  | 2 LINCH PIN  |
| 14442321  | 2 SCREW      |
| 321365050 | 20 SPRING    |
| 322218750 | 10 NUT       |
| 322336750 | 2 ROD        |
| 322336850 | 2 SKATE      |
| 322336950 | 2 LEVER LEAD |
| 322337250 | 2 BUSH       |
| 322337750 | 2 HANDLE GRI |
| 322338050 | 2 TIE ROD    |
| 322338150 | 2 SPRING STO |
| 322354150 | 2 HANDLE     |
| 340415206 | 2 SPACER     |
| 353561167 | 2 SPRING     |
| 355510810 | 16 WASHER    |
| 355510820 | 4 WASHER     |
|           | 2 WASHER     |
|           | 6 WASHER     |

● 003555108200 (16)

CLICK HERE TO **DOWNLOAD** THE COMPLETE MANUAL

- Thank you very much for reading the preview of the manual.
- You can download the complete manual from: [www.heydownloads.com](http://www.heydownloads.com) by clicking the link below



- Please note: If there is no response to CLICKING the link, please download this PDF first and then click on it.

CLICK HERE TO **DOWNLOAD** THE COMPLETE MANUAL