

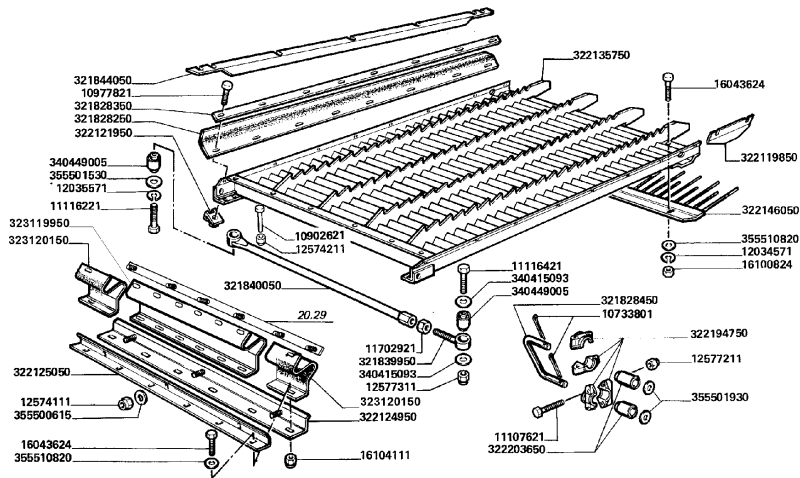
CLEANING

22.0
1_1

GRAIN PAN

MTB "REV" 225 REV (551500163_551500296)

22.01_1



225 REV

Table de reception
Foederboden

PIANO ALIMENTATORE

22.01

Grain pan
Zaranda

1/1 22010131002

- | | |
|-----------|--------------|
| 10733801 | 1 LINCH PIN |
| 10902621 | 1 SCREW |
| 10977821 | 8 SCREW |
| 11107621 | 1 SCREW |
| 11116221 | 1 SCREW |
| 11116421 | 1 SCREW |
| 11702921 | 1 NUT |
| 12035571 | 2 LOCK WASHE |
| 12574111 | 3 NUT |
| 12574211 | 1 NUT |
| 12577211 | 1 NUT |
| 12577311 | 1 NUT |
| 16043624 | 2 SCREW |
| 16100824 | 1 NUT |
| 16104111 | 6 NUT |
| 321828250 | 1 CONVEYOR |
| 321828350 | 1 STRAP |
| 321828450 | 1 CONROD |
| 321839950 | 1 HEAD |
| 321840050 | 1 ARM |
| 321844050 | 1 PLATE |
| 322119850 | 1 PANEL |
| 322121950 | 8 NUT |
| 322124950 | 1 PROFILE |
| 322125050 | 1 PROFILE |
| 322135750 | 1 GRAIN PAN |
| 322146050 | 1 RAKE |
| 322194750 | 4 SUPPORT |
| 322203650 | 2 BUSH |
| 323119950 | 1 GASKET |
| 323120150 | 2 GASKET |
| 340415093 | 2 SPACER |
| 340449005 | 2 SILENTBLOC |

● 003233658505 (1)

CLICK HERE TO **DOWNLOAD** THE COMPLETE MANUAL

- Thank you very much for reading the preview of the manual.
- You can download the complete manual from: www.heydownloads.com by clicking the link below



- Please note: If there is no response to CLICKING the link, please download this PDF first and then click on it.

CLICK HERE TO **DOWNLOAD** THE COMPLETE MANUAL

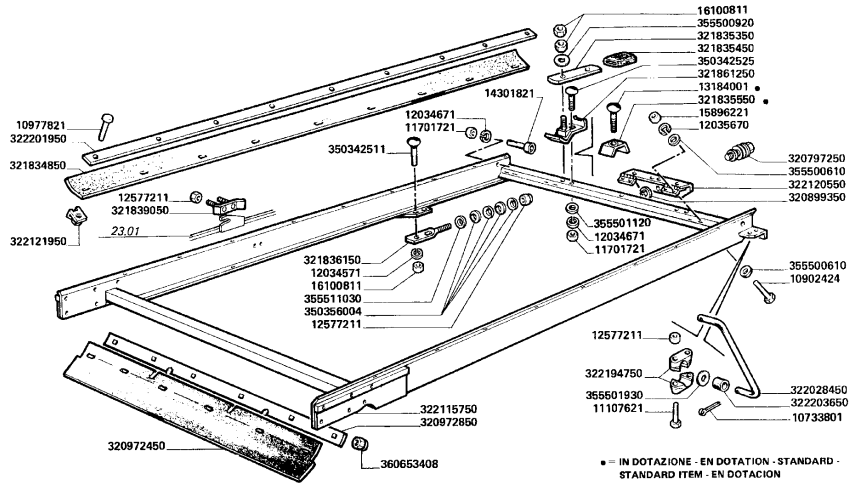
CLEANING

22.0
5_1

UPPER SHAKER SHOE

MTB "REV" 225 REV (551500163_551500296)

22.05_1



• = IN DOTAZIONE - EN DOTATION - STANDARD - STANDARD ITEM - EN DOTACION

- 10733801
- 10902424
- 10977821
- 11107621
- 11701721
- 12034571
- 12034671
- 12035670
- 12577211
- 13184001
- 14301821
- 15896221
- 16100811
- 320797250
- 320899350
- 320972450
- 320972850
- 321834850
- 321835350
- 321835450
- 321835550
- 321836150
- 321839050
- 321861250
- 322028450
- 322115750
- 322120550
- 322121950
- 322194750
- 322201950
- 322203650
- 350342511
- 1 LINCH PIN
- 1 SCREW
- 20 SCREW
- 1 SCREW
- 2 NUT
- 1 LOCK WASHE
- 2 LOCK WASHE
- 1 LOCK WASHE
- 4 NUT
- 1 SCREW
- 1 SCREW
- 1 NUT
- 3 NUT
- 1 STEM
- 1 WASHER
- 1 GASKET
- 1 STRAP
- 1 GASKET
- 1 LEVER
- 1 HANDLE GRI
- 1 EXTENSION,
- 1 TIE ROD
- 1 RETAINER
- 1 SUPPORT
- 1 CONROD
- 1 CASE
- 1 SUPPORT
- 1 NUT
- 2 SUPPORT
- 1 STRAP
- 1 BUSH
- 1 SCREW

- 000120356710 (1)
- 000803504590 (1)

255 REV

Hotte de nettoyage supérieur
Oberschwingskasten

CASSONE OSCILLANTE SUPERIORE

Upper shaker shoe
Zaranda superior

22.05

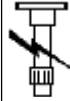
1/1 22050131003

CLEANING

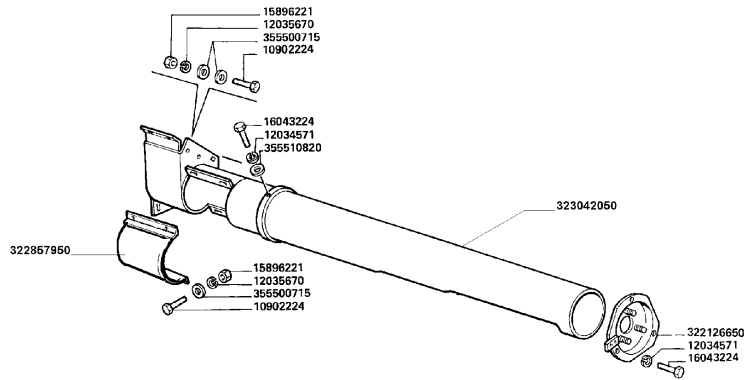
22.0
7_4

TAILINGS ELEVATOR (NORMAL) page4

MTB "REV" 225 REV (551500163_551500296)



22.07_4



- | | | | |
|-----------|--------------------|---|------------|
| 10902224 | | 2 | SCREW |
| 12034571 | | 2 | LOCK WASHE |
| 12035670 | ● 000120356710 (2) | 2 | LOCK WASHE |
| 15896221 | | 2 | NUT |
| 16043224 | | 3 | SCREW |
| 322126650 | | 1 | SUPPORT |
| 322857950 | | 1 | LID |
| 323042050 | | 1 | PLATE |
| 355500715 | | 3 | WASHER |
| 355510820 | | 1 | WASHER |

225 REV

ELEVATORE RECUPERO (NORMALE) (CONTROLLO RECUPERO)

Élévateur à otans
Ueberkereelevator

Tailings elevator
Caja elevador retorno

22.07

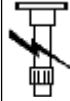
4/5 22070192000

CLEANING

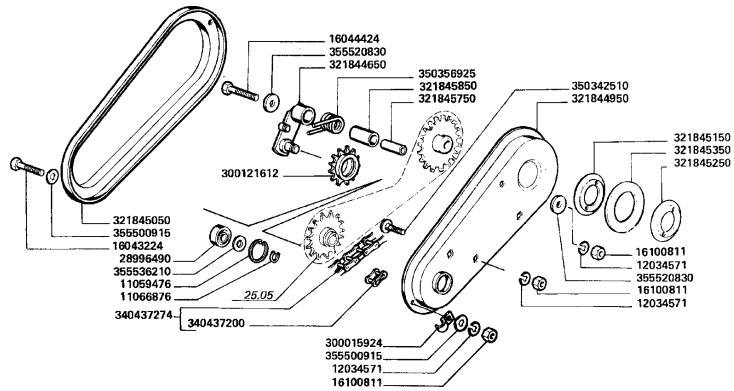
22.1
4_4

GRAIN ELEVATOR (ANTHWEAR) page 4

MTB "REV" 225 REV (551500163_551500296)



22.14_4



- | | | | |
|-----------|--------------------|---|------------|
| 11059476 | | 1 | SPRING LOC |
| 11066876 | | 1 | SPRING LOC |
| 12034571 | | 3 | LOCK WASHE |
| 16043224 | | 1 | SCREW |
| 16044424 | | 1 | SCREW |
| 16100811 | | 3 | NUT |
| 28996490 | | 1 | BEARING |
| 300015924 | | 1 | CLAW |
| 300121612 | ● 003232915500 (1) | 1 | CHAIN ADJU |
| 321844650 | | 1 | ARM |
| 321844950 | | 1 | SHIELD |
| 321845050 | | 1 | SHIELD |
| 321845150 | | 1 | DISC |
| 321845250 | | 1 | DISC |
| 321845350 | | 1 | GASKET |
| 321845750 | | 1 | SPACER |
| 321845850 | | 1 | SPACER |
| 340437200 | ● 003278401250 (1) | 1 | CONNECTING |
| 340437274 | | 1 | CHAIN ASA |
| 350342510 | | 1 | SCREW |
| 350356925 | | 1 | SPRING |
| 355500915 | | 2 | WASHER |
| 355520830 | | 2 | WASHER |
| 355536210 | | 1 | WASHER |

255 REV

ELEVATORE GRANO(ANTIUSURA) (TRASMISSIONE SUPERIORE)
Elevateur grains (antiusure)
Kornelievator (verschleissfrei)


Grain elevator (anth:wear)
Elevador de grano (antes usura)

22.14

4/4 22140172005

CLEANING

23.3
0_1

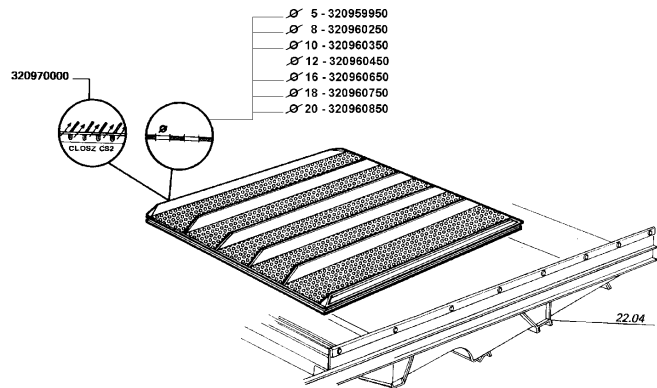


23.30_1

LOWER SIEVE

MTB "REV" 225 REV (551500163_551500296)

- | | |
|-----------|---------|
| 320959950 | 1 SIEVE |
| 320960250 | 1 SIEVE |
| 320960350 | 1 SIEVE |
| 320960450 | 1 SIEVE |
| 320960650 | 1 SIEVE |
| 320960750 | 1 SIEVE |
| 320960850 | 1 SIEVE |
| 320970000 | 1 SIEVE |



LA DOTAZIONE DEI VAGLI VARIA SECONDO L'ALLESTIMENTO DELLA MACCHINA
 La dotation des cribles varie selon le standard de la machine
 Die siebeausstattung wechelt gemess der maehdroscherausruestung
 The set of sieves varies according to the machines standard
 La dotacion de las cribas varian segun el alistamiento de la maquina

255 REV

Crible inférieure
Untersieb

VAGLIO INFERIORE

Lower sieve
Criba inferior

23.30

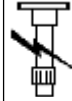
1/1 23300131002

DRIV'S PLATFORM

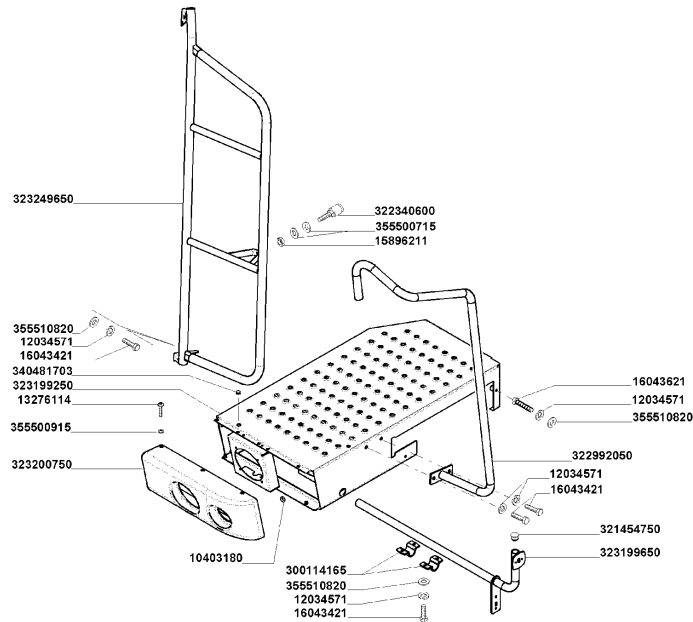
27.0
4_1

PLATFORM FOOTBOARDS (left)

MTB "REV" 225 REV (551500163_551500296)



27.04_1



- 10397780
- 10403180
- 12034571
- 13276114
- 14306424
- 15896211
- 16043421
- 16043424
- 16044221
- 16100811
- 300114165
- 322340600
- 322992050
- 323199250
- 323200750
- 323249650
- 350342511
- 355500715
- 355500915
- 355500920
- 355510820

- 1 RING
- 1 GROMMET
- 10 LOCK WASHE
- 1 SCREW
- 2 SCREW
- 1 NUT
- 2 SCREW
- 6 SCREW
- 1 SCREW
- 8 NUT
- 1 RETAINING
- 1 BLOCK
- 1 SHIELD
- 1 LANDING
- 1 COACHWORK
- 1 SHIELD
- 2 SCREW
- 2 WASHER
- 1 WASHER
- 2 WASHER
- 10 WASHER

PEDANE PIATTAFORMA (SINISTRA)

Marche pieds poste de conduite
Plattformrittbretter

Platform footboards
Estribos plataforma

27.04

1/2 270401320000

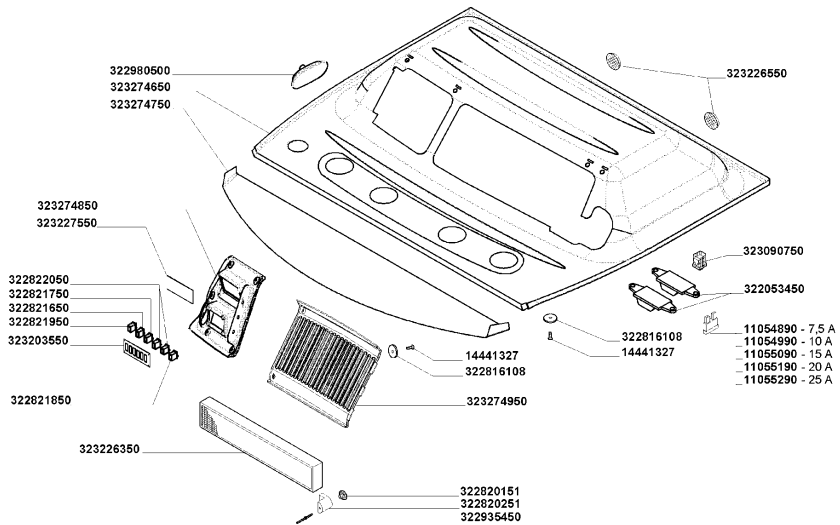
DRIV'S PLATFORM

27.1
3.5

CAB - UNDER ROOF

MTB "REV" 225 REV (551500163_551500296)

27.13.5



- 11054890 1 FUZE
- 11054990 1 FUZE
- 11055090 1 FUZE
- 11055190 1 FUZE
- 11055290 1 FUZE
- 322053450 1 FUZE HOLDE
- 322053450 1 FUZE HOLDE
- 322816108 8 BOSS
- 322820151 1 KNOB
- 322820251 1 RETAINER
- 322821650 1 SWITCH
- 322821750 1 SWITCH
- 322821850 1 SWITCH
- 322821950 1 SWITCH
- 322822050 2 SWITCH
- 322934950 1 SUPPORT
- 322935250 1 FILTER
- 322935450 1 STUD
- 322935550 8 SCREW
- 322980500 1 LAMP, CEIL
- 323203550 1 COACHWORK
- 323226550 1 COACHWORK
- 323227550 1 COVER

● N.A. (1)

CABINA - SOTTOTETTO

Cabine - Sous toit
Kabine - Unter dach

Cab - Under roof
Cabina - Debajo techo

27.13.5

1/1 271301320000

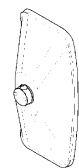
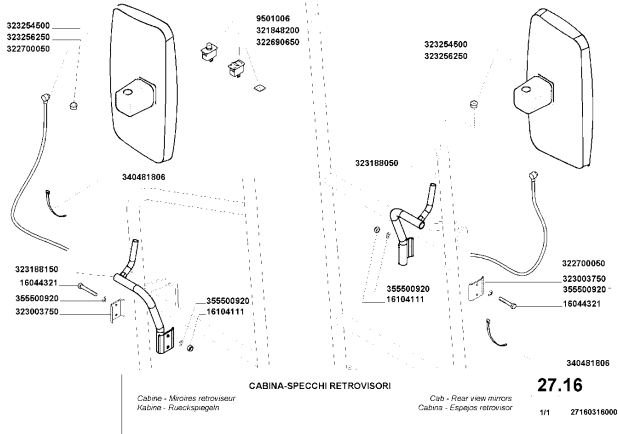
DRIV'S PLATFORM

27.1
6

CAB - REAR VIEW MIRRORS

MTB "REV" 225 REV (551500163_551500296)

27.16



- 0032325450
- 00
- 16044321
- 16104111
- 321721250
- 321848200
- 322690650
- 322700050
- 323003750
- 323188050
- 323188150
- 340481806
- 355500920
- 9501006

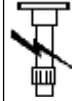
- 2 MIRROR
- 2 SCREW
- 2 NUT
- 2 PLUG
- 1 BUTTON
- 1 PLATE
- 1 WIRE/CABLE
- 2 BRIDLE
- 1 SUPPORT
- 1 SUPPORT
- 2 CLAMP
- 4 WASHER
- 1 SWITCH

DRUM

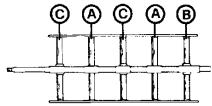
20.0
5_1

DRUM WITH BARS

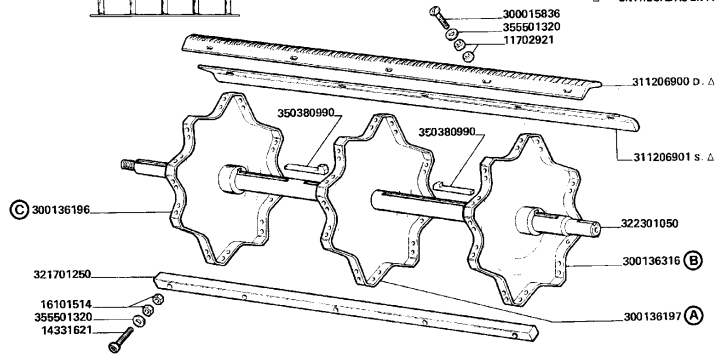
MTB "REV" 225 REV (551500163_551500296)



20.05_1



△ = FORNITE IN COPPIA
△ = FOURNIES EN COUPLE
△ = PAARWEISE GELIEFERT
△ = FURNISHED BY PAIR
△ = ENTREGADAS EN PAREJA



- | | |
|-----------|--------------|
| 11702921 | 2 NUT |
| 14331621 | 1 SCREW |
| 16101514 | 2 NUT |
| 300015836 | 40 SCREW |
| 300136196 | 1 SUPPORT |
| 300136197 | 1 SUPPORT |
| 300136316 | 1 SUPPORT |
| 311206900 | 1 PAIR BAR P |
| 311206901 | 1 PAIR BAR P |
| 321701250 | 1 BAR |
| 322301050 | 1 MAST |
| 350380990 | 2 KEY |
| 355501320 | 2 WASHER |

255 REV

Batteur a balles
Dreschtrammel mit leisten

BATTITORE A SPRANGHE

Drum with bars
Cilindro de barras

20.05

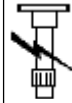
1/1 20050152020

DRUM

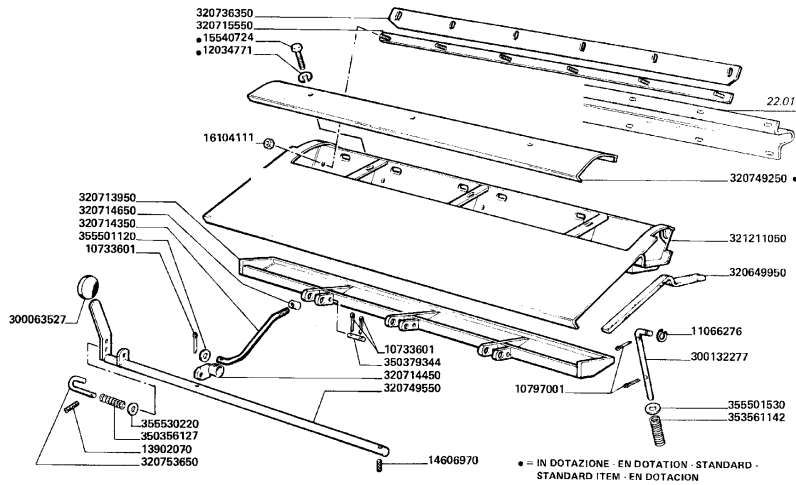
20.2
9_1

CONVEYING CONCAVE page 1

MTB "REV" 225 REV (551500163_551500296)



20.29_1



• = IN DOTAZIONE - EN DOTATION - STANDARD -
STANDARD ITEM - EN DOTACION

255 REV

IMBOCCO E PETTINE CONTROBATTITORE
Toile d'entrée et peigne du contrebatteur
Leitblech und korbausgangstrechen

CONVEYING AND CONCAVE RAKE
Emboadura y peine del concavo

20.29

1/2 20290131026

- | | | |
|-----------|--------------------|--------------|
| 10733601 | | 3 LINCH PIN |
| 10797001 | | 2 LINCH PIN |
| 11066276 | | 1 SPRING LOC |
| 12034771 | | 1 LOCK WASHE |
| 13902070 | | 1 DOWEL |
| 14606970 | | 1 PLUG |
| 15540724 | ● 000155407240 (1) | 1 SCREW |
| 16104111 | | 1 NUT |
| 300063527 | ● 003234156505 (1) | 1 KNOB |
| 300132277 | | 1 DOWEL |
| 320649950 | | 2 GASKET |
| 320713950 | | 1 HATCH |
| 320714350 | | 1 TIE ROD |
| 320714450 | | 1 LEVER LEAD |
| 320714650 | | 1 PIN |
| 320715550 | | 1 STRAP |
| 320736350 | | 1 PLATE |
| 320749250 | | 1 PANEL |
| 320749550 | | 1 SHAFT |
| 320753650 | | 1 LATCH |
| 321211050 | | 1 CONVEYING |
| 350356127 | | 1 SPRING |
| 350379344 | | 1 DOWEL |
| 353561142 | | 1 SPRING |
| 355501120 | | 1 WASHER |
| 355501530 | | 1 WASHER |
| 355530220 | | 1 WASHER |

ELECTRIC SYSTEM

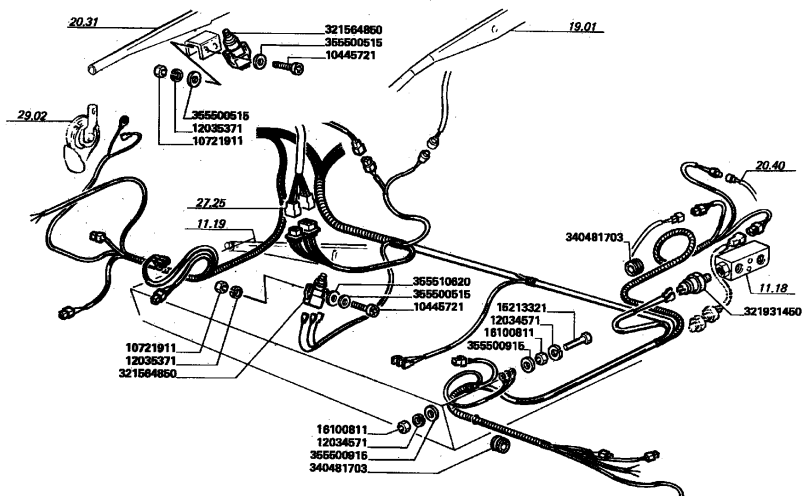
29.0
3_1

CONTROL CIRCUITS page 1

MTB "REV" 225 REV (551500163_551500296)



29.03_1



- | | |
|------------------------------|--------------|
| 10445721 | 2 SCREW |
| 10721911 | 2 NUT |
| 12034571 | 2 LOCK WASHE |
| 12035371 | 2 LOCK WASHE |
| 15213321 | 1 SCREW |
| 16100811 | 2 NUT |
| 321564850 | 2 SWITCH |
| 321931450 | 1 PRESSURE S |
| 340481703 | 2 GROMMET |
| 355500515 | 3 WASHER |
| 355500915 | 2 WASHER |
| 355510620 ● 003555106150 (1) | 1 WASHER |

CIRCUITI DI CONTROLLO

*Circuits de controle
Kontrollekreisl*

*Control circuits
Circuitos de control*

29.03

1/7 29030152006

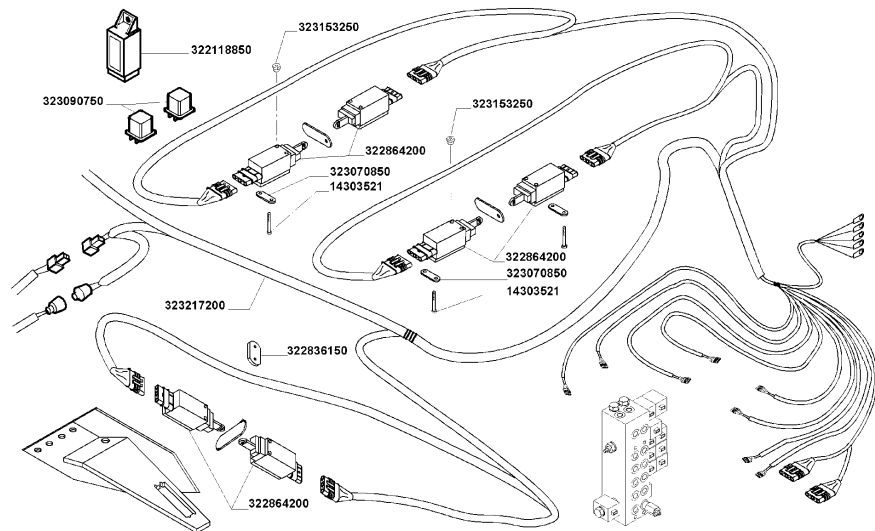
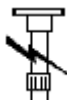
ELECTRIC SYSTEM

29.0
9_2

VALVE-CHEST CONTROL CIRCUITS page 2

MTB "REV" 225 REV (551500163_551500296)

29.09_2



14303521
322118850
322836150
322864200
323070850
323090750
323153250
323217200

6 SCREW
1 ELECTRONIC
1 RETAINING
6 SWITCH
6 RETAINING
2 SWITCH
2 BUSH
1 WIRE/CABLE

COMANDI ELETTROIDRAULICI
CIRCUITI COMANDO DISTRIBUTORE

*Circuits de commande distributeur
Steuergeraetkreis Antrieb*

*Valve-chest control circuits
Circuitos mando distribuidor*

29.09

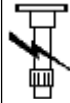
2/2 29090152006

Elevator

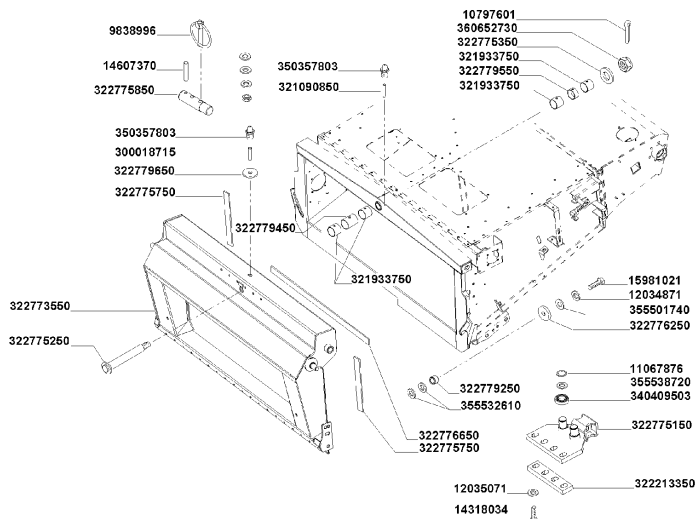
19.0
3_10

FRONT ELEVATOR page 10

MTB "REV" 225 REV (551500163_551500296)



19.03_10



- 10797601
 - 11067876
 - 12034871
 - 12035071
 - 14318034
 - 14607370
 - 15981021
 - 300018715
 - 321090850
 - 321933750
 - 322213350
 - 322775150
 - 322775250
 - 322775350
 - 322775750
 - 322775850
 - 322776250
 - 322776650
 - 322779250
 - 322779450
 - 322779550
 - 322779650
 - 323182350
 - 340409503
 - 350357803
 - 355501740
 - 355532610
 - 355538720
 - 360652730
 - 9838996
- 1 LINCH PIN
 - 1 SPRING LOC
 - 1 LOCK WASHE
 - 1 LOCK WASHE
 - 1 SCREW
 - 1 PLUG
 - 1 SCREW
 - 1 EXTENSION
 - 1 EXTENSION
 - 4 BEARING
 - 1 STRAP
 - 1 PLATE
 - 1 PIN
 - 1 WASHER
 - 2 SKATE
 - 1 DOWEL
 - 1 WASHER
 - 1 SKATE
 - 1 SPACER
 - 1 SPACER
 - 1 SPACER
 - 1 GASKET
 - WASHER
 - 1 GUIDE ROLL
 - 2 NIPPLE, LU
 - 1 WASHER
 - 2 WASHER
 - 1 WASHER
 - 1 NUT
 - 1 DOWEL

● 000159810310 (1)

225 REV

Elevateur avant
Vorderelevator

ELEVATORE ANTERIORE INTEGRALE (PROLUNGA)

Front elevator
Elevador anterior

19.03

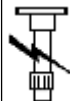
10/11 19030152005

Elevator

19.0
3_9

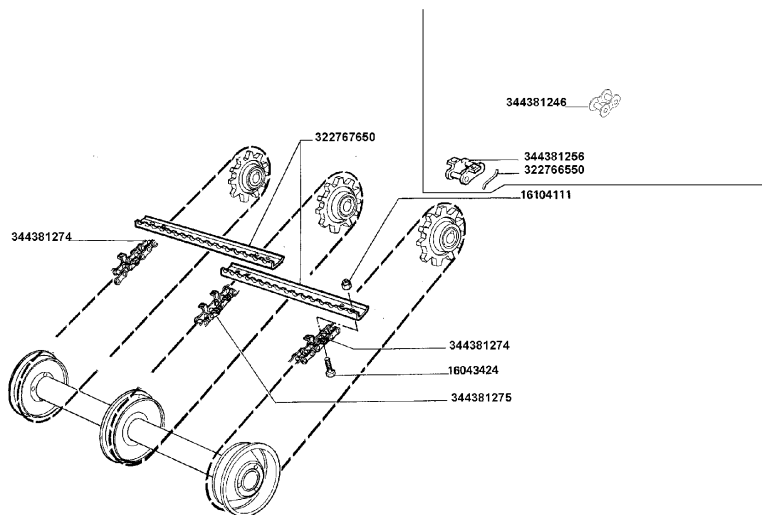
FRONT ELEVATOR (WITH FEEDER ROLLER) page 9

MTB "REV" 225 REV (551500163_551500296)



19.03_9

- 16043424
 - 16104111
 - 322766550
 - 322767650
 - 344381246
 - 344381256
 - 344381274
 - 344381275
- 1 SCREW
 - 1 NUT
 - 1 RETAINER
 - 2 BAR
 - 1 PLATE
 - 1 CONNECTING
 - 1 CHAIN
 - 1 CHAIN



225 REV

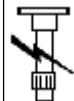
ELEVATORE ANTERIORE (CON RULLO) (CATENE E SPRANGHE)
Elevateur avant
Vorderelevator

19.03

9/11 11030152005

Engine IVECO TIER 3 (551500139_551509999)

Accumulator hydraulic

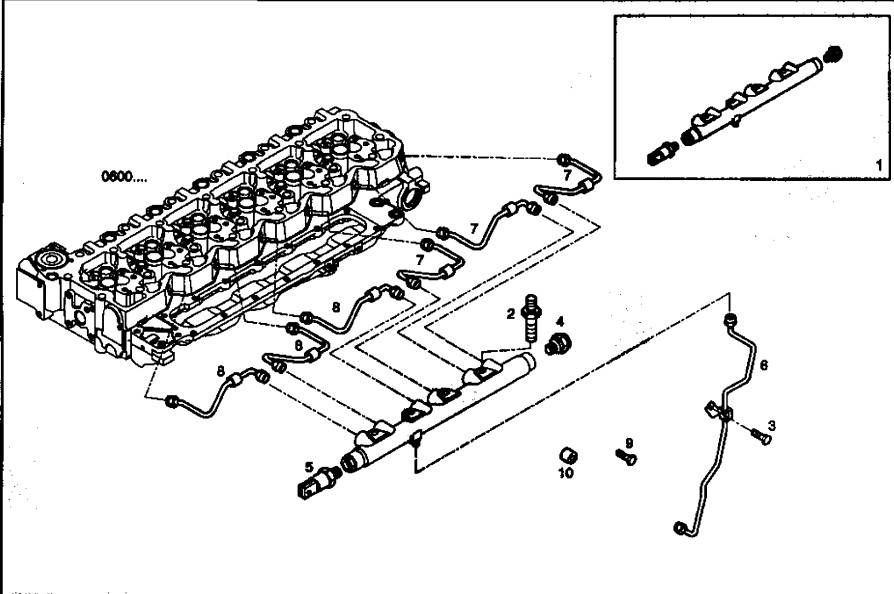


MTB "REV" 225 REV (551500163_551500296)

HYDRAUL. ACCUMULATOR
Accumulatore idraulico
Accumulateur hydraulique
Hydrospeicher
Acumulador hidraul.

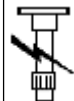
1405.014

1/1



- | | | | |
|----|-----------|---|-----------|
| 1 | 504088207 | 1 | HYDRAULIC |
| 2 | 504053874 | 4 | SCREW |
| 3 | 16673635 | 1 | SCREW |
| 4 | 504088436 | 1 | VALVE |
| 5 | 504123163 | 1 | SENSOR |
| 6 | 504091537 | 1 | PIPE |
| 7 | 504090835 | 3 | PIPE |
| 8 | 504090756 | 3 | PIPE |
| 9 | 4896884 | 1 | SCREW |
| 10 | 13605711 | 1 | SHIM |

Engine IVECO TIER 3 (551500139_551509999)

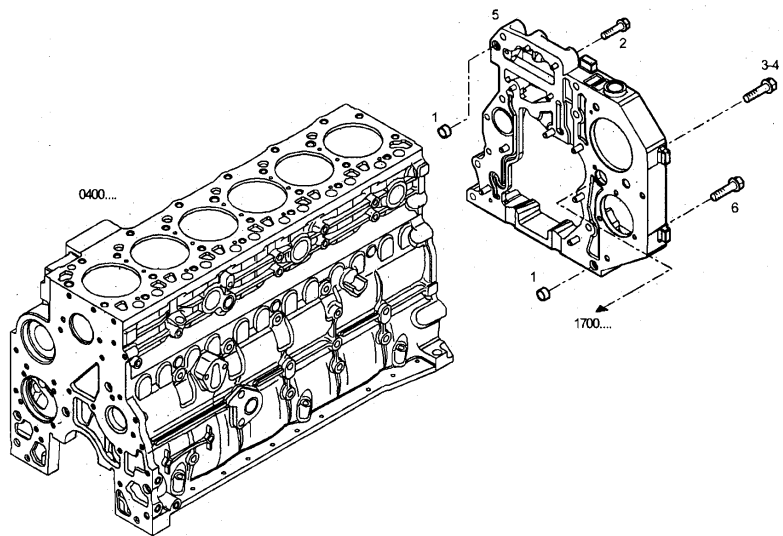


MTB "REV" 225 REV (551500163_551500296)

Covers

COVERS
Coperchi
Couvercles
Deckel
Tapas

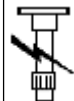
0430.220



- 1 4899026
- 2 4899078
- 3 4899093
- 4 4899073
- 5 4899678
- 6 4896939

- 2 DOWEL
- 4 Hex bolt
- 2 Hex bolt
- 1 Hex bolt
- 1 HOUSING
- 3 Hex bolt

Engine IVECO TIER 3 (551500139_551509999)



MTB "REV" 225 REV (551500163_551500296)

Starter motor

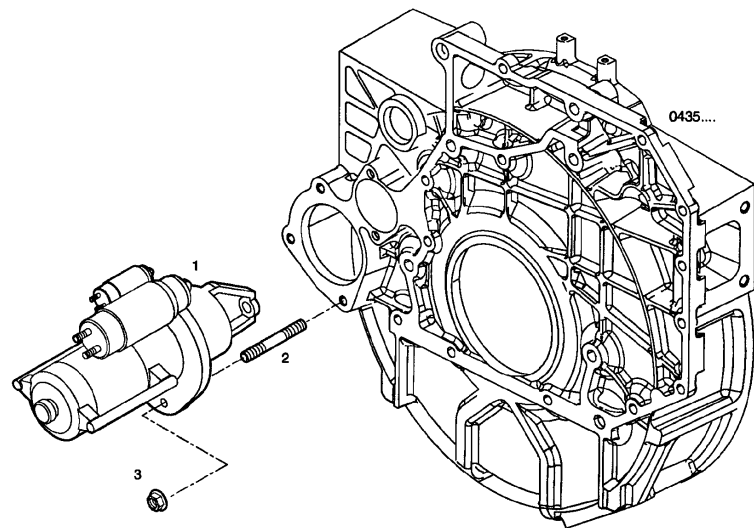
- 1 504031929
- 2 2830771
- 3 17044825

- 1 ELECTRIC M
- 3 SCREW
- 3 NUT

STARTER MOTOR
Motorino di avviamento
Démarreur
Anlasser
Motor de arranque

3600.111

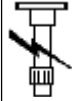
1/1



Engine IVECO TIER 3 (551500139_551509999)

TEMPERATUR CONTROL

MTB "REV" 225 REV (551500163_551500296)



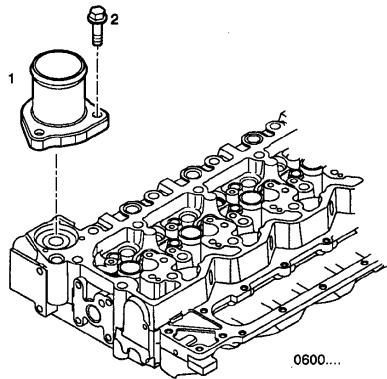
- 1 4895131
- 2 4899110

- 1 BODY
- 3 SCREW

TEMPERATURE REGULATOR
Regolatore di temperatura
Régulateur de température
Temperaturregler
Regulador de temperatura

3262.001

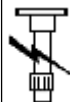
1/1



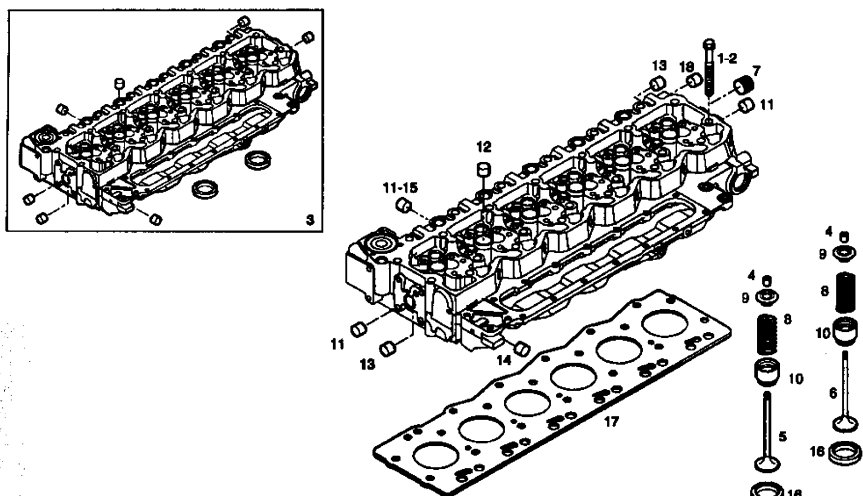
Engine IVECO TIER 3 (551500139_551509999)

Cylinder head

MTB "REV" 225 REV (551500163_551500296)



CYLINDER HEAD Testa cilindri Culasse Zylinderkopf Culata de cilindro	0600.204
	1/2




- | | | | | |
|----|---------|---------------------|----|------------|
| 1 | 4891024 | | 12 | SCREW |
| 2 | 4891025 | | 14 | SCREW |
| 3 | 2831279 | | 1 | HEAD |
| 4 | 4899081 | | 48 | COTTER, RO |
| 5 | 4895051 | | 12 | VALVE |
| 6 | 4895052 | | 12 | VALVE |
| 7 | 4895079 | | 1 | PLUG |
| 8 | 4895073 | ● 000028314730 (24) | 24 | SPRING |
| 9 | 4895074 | | 24 | CUP |
| 10 | 2831287 | | 24 | PROTECTION |
| 11 | 4895085 | | 13 | PLUG |
| 12 | 4895089 | | 11 | PLUG |
| 13 | 4895406 | | 7 | PLUG |
| 14 | 4895407 | | 2 | PLUG |
| 15 | 4895408 | | 2 | PLUG |
| 16 | 4893244 | | 1 | VALVE |
| 17 | 2830704 | | 1 | GASKET |
| 18 | 4893036 | | 3 | PLUG |

ENGINE INSTALLATION

MTB "REV" 225 REV (551500163_551500296)

10.0
1_1

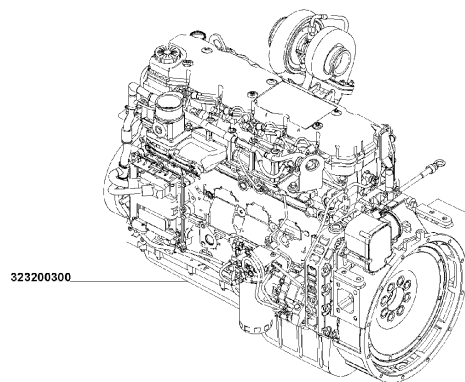


10.01_1

ENGINE INSTALLATION page 1

323200300

ENGINE



225 REV

*Moteur
Motor*

MOTORE

10.01

*Engine
Motor*

1/6

10010152006

CLICK HERE TO **DOWNLOAD** THE COMPLETE MANUAL

- Thank you very much for reading the preview of the manual.
- You can download the complete manual from: www.heydownloads.com by clicking the link below



- Please note: If there is no response to CLICKING the link, please download this PDF first and then click on it.

CLICK HERE TO **DOWNLOAD** THE COMPLETE MANUAL

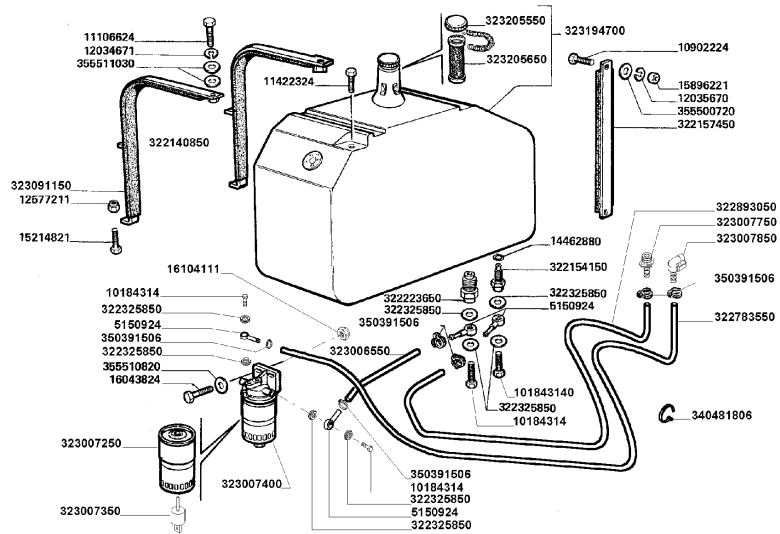
ENGINE INSTALLATION

10.0
6_1

FUEL TANK page 1

MTB "REV" 225 REV (551500163_551500296)

10.06_1



- 323007750 1 SOCKET
- 323007850 1 SOCKET
- 323018850 1 SENSOR
- 323091150 1 COLLAR
- 323205550 1 CORK
- 323205650 ● 003221656500 (1) 1 FILTER
- 340481806 1 CLAMP
- 350391506 6 CLAMP
- 355500720 ● 003555007150 (1) 1 WASHER
- 355510820 1 WASHER
- 355511030 1 WASHER
- 5150924 4 UNION

225 REV

Reservoir carburant
Kraftstofftank

SERBATOIO COMBUSTIBILE

Fuel tank
Deposito de combustible

10.06

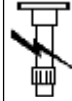
1/2 10060152005

ENGINE INSTALLATION

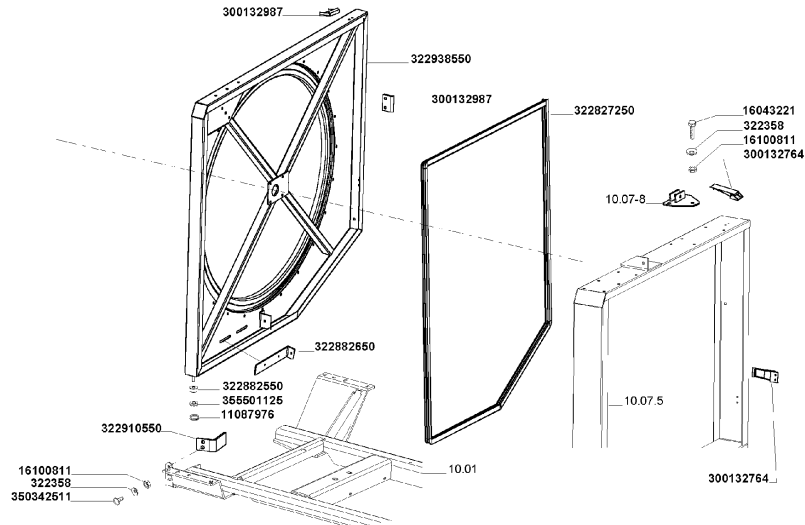
10.0
7_7

RADIATOR FILTER page 7

MTB "REV" 225 REV (551500163_551500296)



10.07_7



- | | | |
|-----------|---|------------|
| 11087976 | 1 | SPRING LOC |
| 16043221 | 1 | SCREW |
| 16043821 | 1 | SCREW |
| 16100811 | 2 | NUT |
| 300132764 | 2 | BRIDLE |
| 300132987 | 2 | PLATE |
| 322358 | 2 | WASHER |
| 322827250 | 1 | GASKET |
| 322882550 | 1 | GUIDE ROLL |
| 322882650 | 1 | BASE PLATE |
| 322910550 | 1 | CONTAINER |
| 322938550 | 1 | DOOR |
| 355501125 | 1 | WASHER |

225 REV

Filtere radiateur
Kuehlerfilter

FILTRO ROTANTE - RADIATORE

Radiator filter
Filtro radiador

10.07

7/10 10070152006

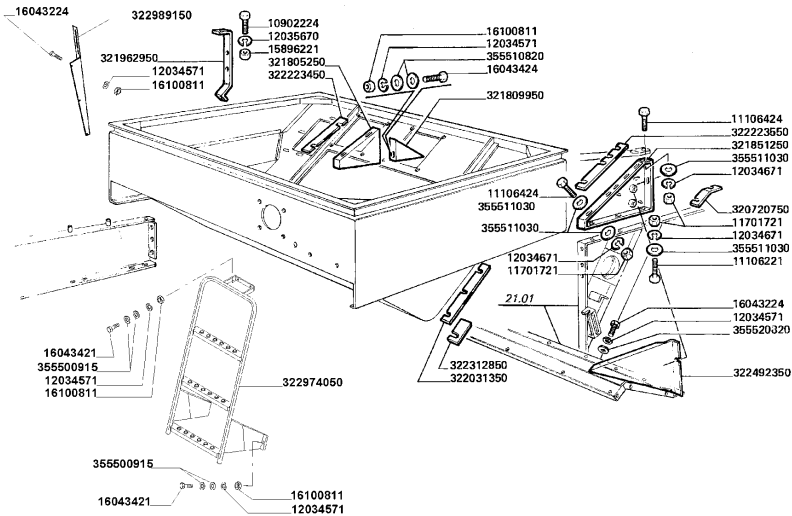
GRAIN TANK AND FAIRINGS

25.0
1_3

GRAIN TANK page 3

MTB "REV" 225 REV (551500163_551500296)

25.01_3



- 10902224 1 SCREW
- 11106221 1 SCREW
- 11106424 2 SCREW
- 11701721 2 NUT
- 12034571 6 LOCK WASHE
- 12034671 3 LOCK WASHE
- 12035670 1 LOCK WASHE
- 15896221 1 NUT
- 16043224 1 SCREW
- 16043421 4 SCREW
- 16043424 1 SCREW
- 16100811 5 NUT
- 320720750 1 SHIM
- 321805250 1 PANEL
- 321809950 1 PANEL
- 321851250 1 PANEL
- 321962950 1 BASE PLATE
- 322031350 1 SHIM
- 322223450 1 SHIM
- 322223550 1 SHIM
- 322312850 1 SHIM
- 322492350 1 PANEL
- 322974050 1 LADDER
- 322989150 1 SUPPORT
- 355500915 8 WASHER
- 355510820 2 WASHER
- 355511030 5 WASHER
- 355520320 1 WASHER

● 000120356710 (1)

● 003229891503 (1)

255 REV

Trémie à grains
kortank

SERBATOIO GRANELLA

Grain tank
Tanque de grano

25.01

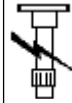
3/3 25010172006

GRAIN TANK AND FAIRINGS

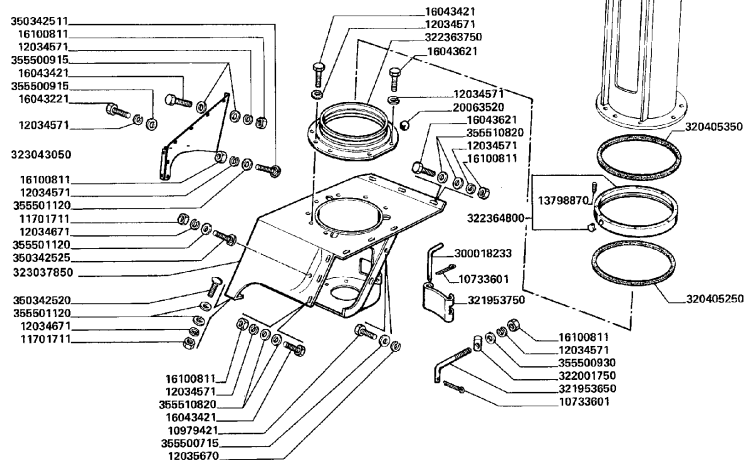
25.0
7_1

GRAIN TANK UNLOADING VERTICAL TUBE page 1

MTB "REV" 225 REV (551500163_551500296)



25.07_1



- | | | |
|-----------|----|------------|
| 10733601 | 2 | LINCH PIN |
| 10979421 | 1 | SCREW |
| 11701711 | 2 | NUT |
| 12034571 | 8 | LOCK WASHE |
| 12034671 | 2 | LOCK WASHE |
| 12035670 | 1 | LOCK WASHE |
| 13798870 | 1 | SCREW |
| 16043221 | 1 | SCREW |
| 16043421 | 3 | SCREW |
| 16043621 | 2 | SCREW |
| 16100811 | 7 | NUT |
| 20063520 | 1 | BALL |
| 300018233 | 1 | LATCH |
| 320405250 | 1 | GASKET |
| 320405350 | 1 | GASKET |
| 321953650 | 1 | TIE ROD |
| 321953750 | 1 | LID |
| 322001750 | 1 | PIN |
| 322363750 | 1 | RING |
| 322364800 | 1 | RING |
| 323037850 | 1 | SUPPORT |
| 323043050 | 1 | REINFORCEM |
| 350342511 | 10 | SCREW |
| 350342520 | 1 | SCREW |
| 350342525 | 1 | SCREW |
| 355500715 | 1 | WASHER |
| 355500915 | 4 | WASHER |
| 355500930 | 1 | WASHER |
| 355501120 | 4 | WASHER |
| 355510820 | 4 | WASHER |

● 000120356710 (1)

255 REV

TUBO VERTICALE SCARICO SERBATOIO

Tube vertical de vidange de la trémie
Kartankauslaufvertikalrohr

Grain tank unloading vertical tube
Tubo vertical descarga de la tolva

25.07

1/5 25070172006

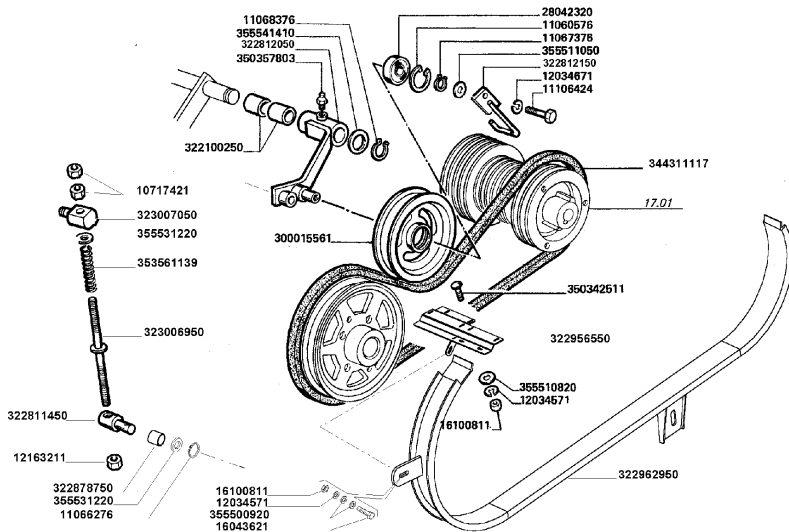
GRAIN TANK AND FAIRINGS

25.0
8_2

DRIVE AND UNLOADING TANK CLUTCH page 2

MTB "REV" 225 REV (551500163_551500296)

25.08_2



- 10717421
- 11060576
- 11066276
- 11067376
- 11068376
- 11106424
- 12034571
- 12034671
- 12163211
- 16043621
- 16100811
- 206736308
- 28042320
- 300015561
- 322100250
- 322811450
- 322812050
- 322812150
- 322878750
- 322956550
- 322962950
- 323006950
- 323007050
- 344311117
- 350342511
- 350357803
- 353561139
- 355500920
- 355510820
- 355511050
- 355531220
- 355541410
- 4 NUT
- 1 SPRING LOC
- 1 SPRING LOC
- 1 SPRING LOC
- 1 SPRING LOC
- 1 SCREW
- 2 LOCK WASHE
- 1 LOCK WASHE
- 1 NUT
- 1 SCREW
- 2 NUT
- 1 SPRING
- 1 BEARING
- 1 GEAR
- 2 BEARING
- 1 BALL JOINT
- 1 SUPPORT
- 1 BAIL
- 1 BEARING
- 1 SUPPORT
- 1 SKATE
- 1 TIE ROD
- 1 BALL JOINT
- 1 BELT
- 1 SCREW
- 1 NIPPLE, LU
- 1 SPRING
- 2 WASHER
- 1 WASHER
- 1 WASHER
- 2 WASHER
- 1 WASHER

● 003228358500 (1)

255 REV

TRASMISSIONI INNESTO TREBBIA E SCARICO SERBATOIO
 Transmission et embrayage vidange de trémie
 Antrieb und Kortanfertigungskuppung
 Drive and unloading tank clutch
 Transmisión y embrague descarga de la tolva

25.08

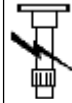
2/3 25080172006

GRAIN TANK AND FAIRINGS

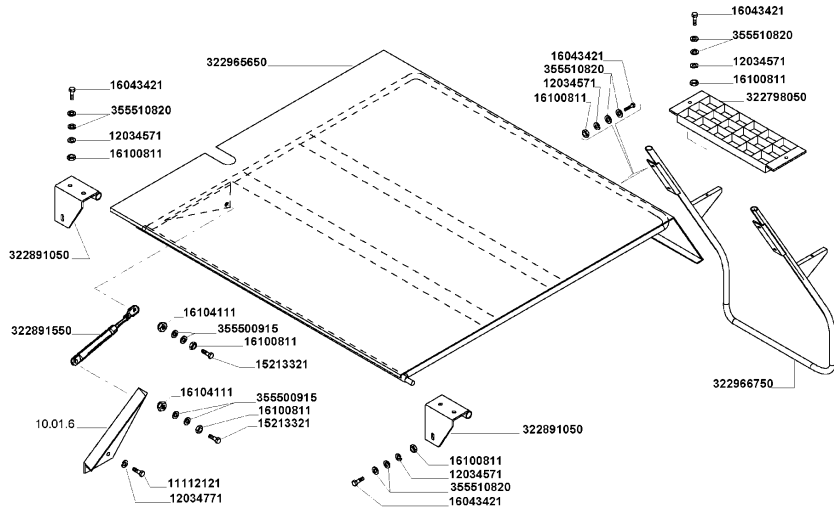
25.2
5_2

ENGINE COVER page 2

MTB "REV" 225 REV (551500163_551500296)



25.25_2



- 11112121
- 12034571
- 12034771
- 15213321
- 16043421
- 16100811
- 16104111
- 322798050
- 322891050
- 322891550
- 322965650
- 322966750
- 355500915
- 355510820

- 1 SCREW
- 5 LOCK WASHE
- 1 LOCK WASHE
- 2 SCREW
- 10 SCREW
- 7 NUT
- 2 NUT
- 1 FLOOR
- 2 HINGE
- 1 SPRING
- 1 COVER
- 1 ANCHOR
- 4 WASHER
- 10 WASHER

255 REV

Couvercle du moteur
Motorabdeckung

PORTELLO VANO MOTORE

Engine cover
Guardera motor

25.25

2/2 25250172006

HYDRAULIC SYSTEM

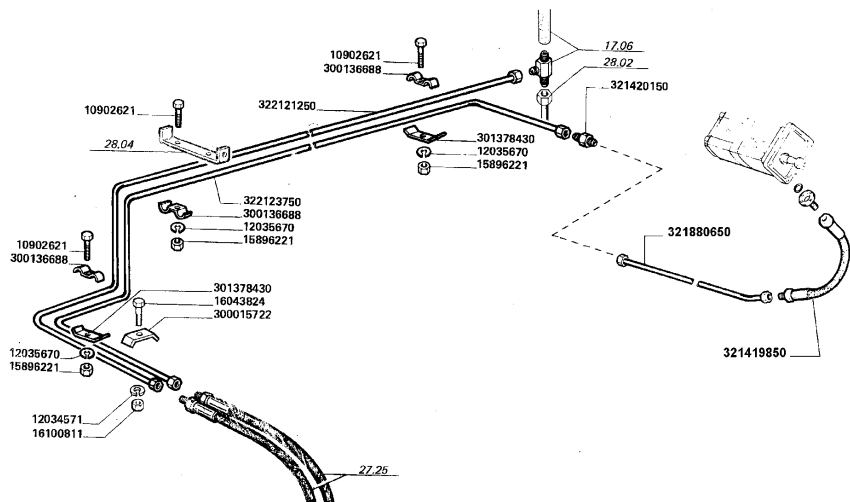
28.0
5_1

DRIVE HYDRAULIC CIRCUIT page 1

MTB "REV" 225 REV (551500163_551500296)



28.05_1



- | | | |
|-----------|--------------------|--------------|
| 10902621 | | 7 SCREW |
| 12034571 | | 1 LOCK WASHE |
| 12035670 | ● 000120356710 (4) | 4 LOCK WASHE |
| 15896221 | | 4 NUT |
| 16043824 | | 1 SCREW |
| 16100811 | | 1 NUT |
| 300015722 | | 1 BRIDLE |
| 300136688 | | 3 BRIDLE |
| 301378430 | | 2 BRIDLE |
| 321419850 | | 1 HOSE |
| 321420150 | | 1 UNION |
| 321880650 | | 1 PIPE |
| 322121250 | | 1 PIPE |
| 322123750 | | 1 PIPE |

255 REV

CIRCUITI IDRAULICI IDROGUIDA

Circuits hydrauliques de direction
Kreisläufe des Hydraulenlenkung

Drive hydraulic circuit
Circuitos dirección hidráulica

28.05

1/2 28050172005

STRAW WALKERS

**21.0
6_2**

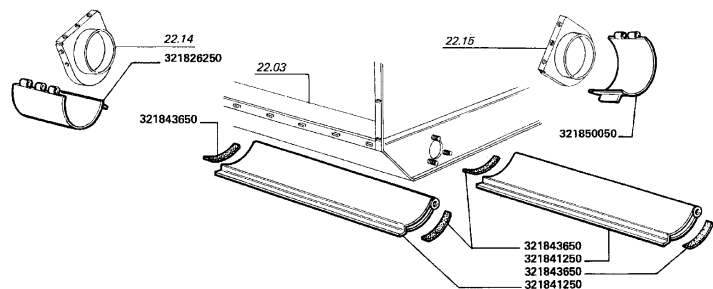
PARTS FOR NORMALS SOILS page 2

MTB "REV" 225 REV (551500163_551500296)



21.06_2

- 321826250 1 LID
- 321841250 2 LID
- 321843650 4 GASKET
- 321850050 1 LID



255 REV

PARTICOLARI PER TERRENI NORMALI

*Pièces pour terrains normaux
Teile fuer normalen boden*

*Parts for normals soils
Piezas por terrenos normales*

21.06

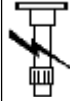
2/2 21060131022

STRAW WALKERS

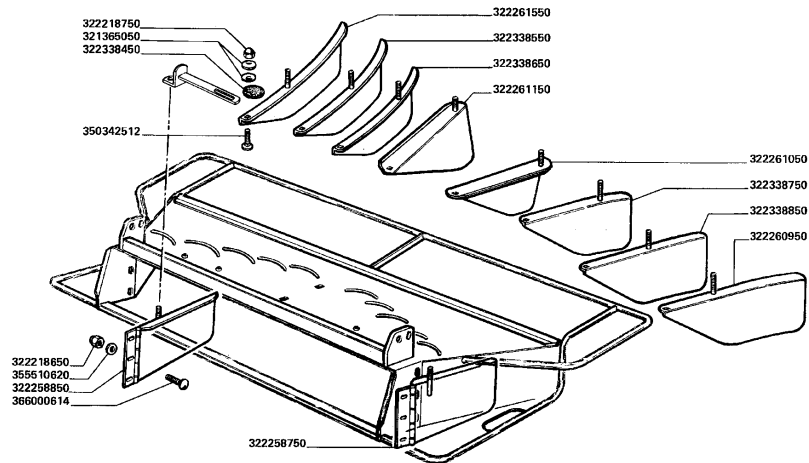
21.2
4_15

STRAW CHOPPER-DEFLECTORS page 1

MTB "REV" 225 REV (551500163_551500296)



21.24_15



- 321365050
- 322218650
- 322218750
- 322258750
- 322258850
- 322260950
- 322261050
- 322261150
- 322261550
- 322338450
- 322338550
- 322338650
- 322338750
- 322338850
- 350342512
- 355510620
- 36600614
- 16 SPRING
- 3 NUT
- 8 NUT
- 1 SHUNTER
- 1 SHUNTER
- 1 DEFLECTOR
- 1 DEFLECTOR
- 1 DEFLECTOR
- 1 DEFLECTOR
- 8 DISC
- 1 DEFLECTOR
- 1 DEFLECTOR
- 1 DEFLECTOR
- 1 DEFLECTOR
- 8 SCREW
- 3 WASHER
- 3 SCREW

● 003555106150 (3)

255 REV

Hache-paille - Deflecteurs
Strohhaeckster - Verteiler

TRINCIAPAGLIA - DEVIATORI DI FLUSSO

Straw chopper - Deflectors
Cortador de paja - Deflectores

21.24.15

15/17 21240152006

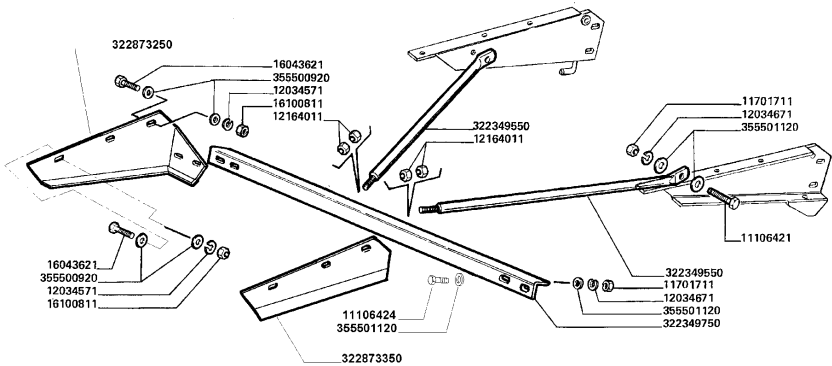
STRAW WALKERS

21.2
4_8

STRAW-CHOPPER-BODY STIFFENER

MTB "REV" 225 REV (551500163_551500296)

21.24_8



- | | | |
|-----------|--------------------|--------------|
| 11106421 | | 1 SCREW |
| 11106424 | | 4 SCREW |
| 11701711 | | 5 NUT |
| 12034571 | | 2 LOCK WASHE |
| 12034671 | | 5 LOCK WASHE |
| 12164011 | ● 000121640210 (4) | 4 NUT |
| 16043621 | | 2 SCREW |
| 16100811 | | 2 NUT |
| 322349550 | ● 003233086500 (2) | 2 TIE ROD |
| | 003233087500 (2) | |
| | 003233088500 (2) | |
| 322349750 | ● 003233086500 (1) | 1 ANGULAR |
| | 003233087500 (1) | |
| | 003233088500 (1) | |
| 322873250 | | 1 STIRRUP |
| 322873350 | | 1 STIRRUP |
| 355500920 | | 4 WASHER |
| 355501120 | | 10 WASHER |

255 REV

TRINCIAPAGLIA - IRRIGIDIMENTO CARENATURA

Hache paille - Raidisseur carénage
Strohhackstiel - Karosserie verstärkung

Straw chopper - Body stiffener
Cortador de paja - Refuerzo carenado

21.24.8

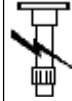
8/17 21240152006

TRACTION

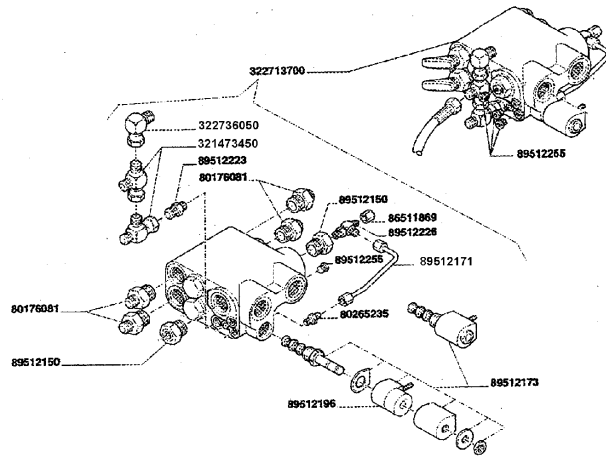
11.0
6_4

POWERED REAR AXLE FOUR WD page 4

MTB "REV" 225 REV (551500163_551500296)



11.06_4



- | | |
|-----------|--------------|
| 321473450 | 2 UNION |
| 322713700 | 1 VALVE |
| 322736050 | 1 UNION |
| 80176081 | 4 CONTROL BL |
| 80265235 | 1 UNION |
| 86511869 | 1 PROTECTION |
| 89512150 | 2 UNION |
| 89512171 | 1 GREASER |
| 89512173 | 1 VALVE |
| 89512196 | 1 SOLENOID |
| 89512223 | 1 UNION |
| 89512226 | 1 UNION |
| 89512255 | 4 PLUG |

225 REV

Essieu arriere
Hinterrachse

TRAZIONE A 4 RUOTE MOTRICI

Powered rear axle four wd
Fuernte posterior

11.06

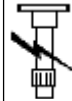
4/5 11080131022

TRACTION

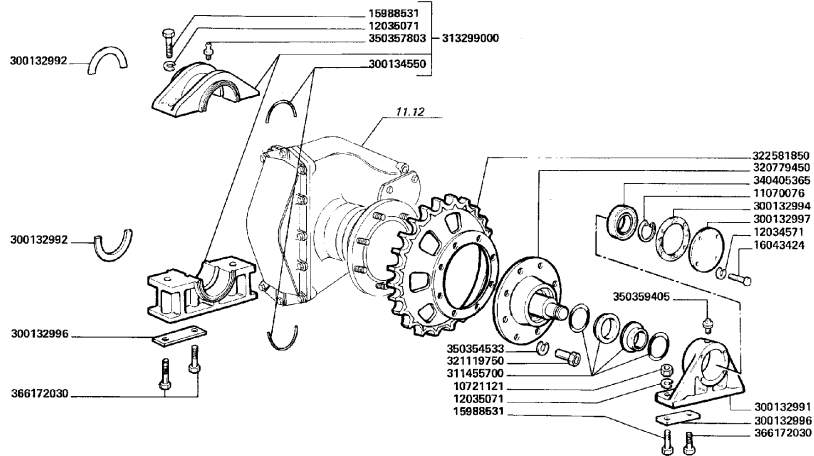
13.8
3_2

CRAWLER TRACKS (6 ROLLER) page 2

MTB "REV" 225 REV (551500163_551500296)



13.83_2



- | | |
|-----------|--------------|
| 10721121 | 1 NUT |
| 11070076 | 1 SPRING LOC |
| 12034571 | 1 LOCK WASHE |
| 12035071 | 2 LOCK WASHE |
| 15988531 | 2 SCREW |
| 16043424 | 1 SCREW |
| 300132991 | 1 SUPPORT |
| 300132992 | 2 HALF-RING |
| 300132994 | 1 GASKET |
| 300132996 | 2 PLATE |
| 300132997 | 1 COVER |
| 300134550 | 2 GASKET |
| 311455700 | 4 GASKET |
| 313299000 | 1 SUPPORT |
| 320779450 | 1 PIN |
| 321119750 | 1 NUT |
| 322581850 | 2 WHEEL |
| 340405365 | 1 BEARING |
| 350354533 | 1 LOCK WASHE |
| 350357803 | 1 NIPPLE, LU |
| 350359405 | 1 PLUG |
| 366172030 | 3 SCREW |

225 REV

Chenilles
Raupenkettten

CINGOLATURA - A 6 RULLI

Crawler tracks
Orugas

13.83

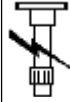
2/6 11210131130

TRACTION

13.8
8_4

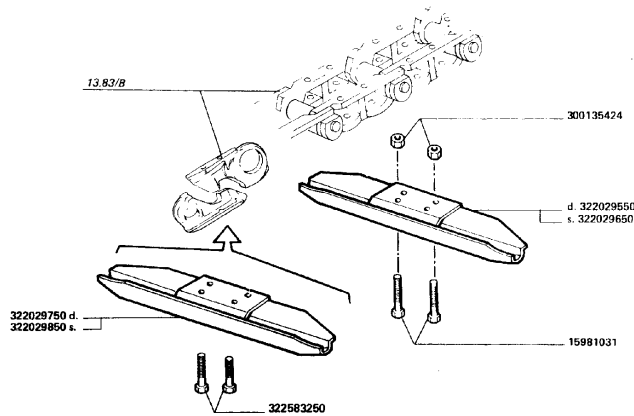
CRAWLER TRACKS (7 ROLLER) page 4

MTB "REV" 225 REV (551500163_551500296)



13.88_4

- | | | |
|-----------|---|-------|
| 15981031 | 4 | SCREW |
| 300135424 | 4 | NUT |
| 322029550 | 1 | SKATE |
| 322029650 | 1 | SKATE |
| 322029750 | 1 | SKATE |
| 322029850 | 1 | SKATE |
| 322583250 | 4 | SCREW |



225 REV

Chenilles
Raupenkettan

CINGOLATURA - A 7 RULLI

Crawler tracks
Orugas

13.88

4/6 13880131130

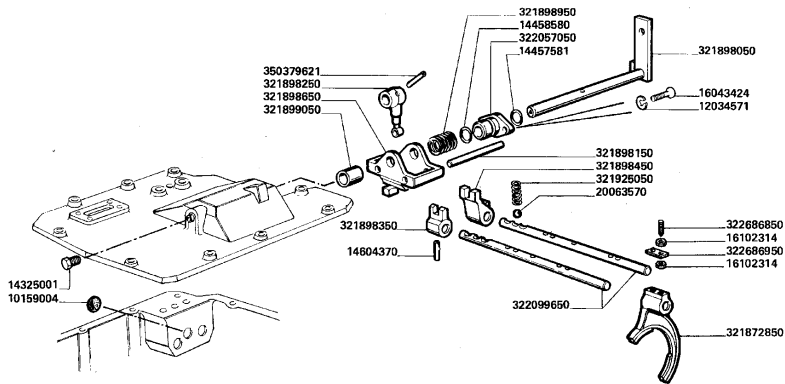
TRACTION

17.0
3_2

GEAR BOX page 2

MTB "REV" 225 REV (551500163_551500296)

17.03_2



- 10159004
 - 12034571
 - 14325001
 - 14457581
 - 14458580
 - 14604370
 - 16043424
 - 16102314
 - 20063570
 - 321872850
 - 321898050
 - 321898150
 - 321898250
 - 321898350
 - 321898450
 - 321898650
 - 321898950
 - 321899050
 - 321925050
 - 322099650
 - 322686850
 - 322686950
 - 350379621
- 1 PLUG
 - 1 LOCK WASHE
 - 1 PLUG
 - 1 O-RING
 - 1 O-RING
 - 1 PLUG
 - 1 SCREW
 - 2 NUT
 - 1 BALL
 - 1 YOKE
 - 1 SHAFT
 - 1 PIN
 - 1 LEVER
 - 1 HUB
 - 1 HUB
 - 1 PLATE
 - 1 SPRING
 - 1 SPACER
 - 1 SPRING
 - 1 SUPPORT
 - 2 ROD
 - 1 SCREW
 - 1 PLATE
 - 1 DOWEL

255 REV

Boite de vitesses
Getriebegehäuse

CAMBIO

Gear box
Caja del cambio

17.03

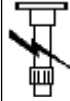
2/4 17030172006

TRACTION

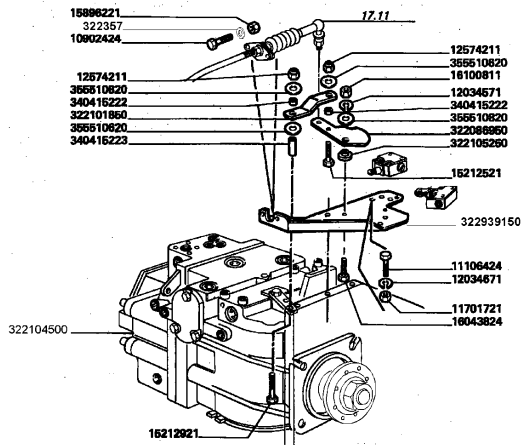
17.1
0_1

MULTIFUNCTIONS LEVER FOR HYDROSTATIC TRACT. page1

MTB "REV" 225 REV (551500163_551500296)



17.10_1



DISPOSITIVO DI SICUREZZA PER TRAZIONE IDROSTATICA

Lever multifonctions pour traction hydrostatique
Multifunctions lever for hydrostatic traction
Mehrfunktion hebel fuer hydrostatischen antrieb
Palanca multifunciones por traccion hidrostatica

17.10

1/2 17100172006

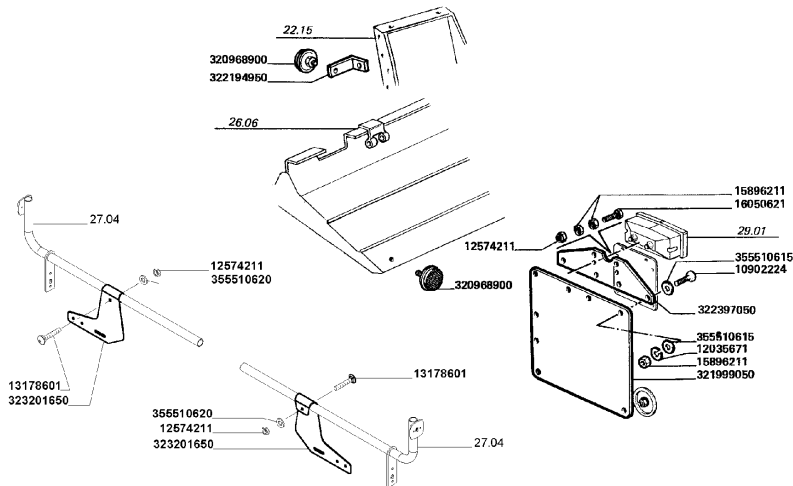
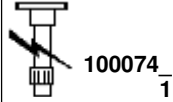
- | | | | |
|-----------|---|--|------------|
| 10902424 | | 1 | SCREW |
| 11106424 | | 1 | SCREW |
| 11701721 | | 1 | NUT |
| 12034571 | | 1 | LOCK WASHE |
| 12034671 | | 1 | LOCK WASHE |
| 12574211 | | 2 | NUT |
| 15212521 | | 1 | SCREW |
| 15212921 | | 1 | SCREW |
| 15896221 | | 2 | NUT |
| 16043824 | | 1 | SCREW |
| 16100811 | | 1 | NUT |
| 322086950 | | 1 | LEVER LEAD |
| 322101850 | | 1 | LEVER |
| 322104500 | ● | 003230714000 (1) | 1 PUMP |
| 322105250 | | 1 | BUSH |
| 322357 | | 1 | WASHER |
| 322939150 | ● | 000111070210 (1)
003663410260 (1)
000003223580 (3)
003555110200 (3)
000125772110 (1)
000109037210 (1)
003223082500 (3)
000160438210 (1)
003555007150 (3)
003555108200 (1)
003232875500 (3)
003232914500 (1) | 1 SUPPORT |
| 340415222 | | 2 | BUSH |
| 340415223 | | 1 | BUSH |
| 355510620 | ● | 003555106150 (2) | 2 WASHER |

VARIATIONS

100
- 074_1

SWITZERLAND VERSION

MTB "REV" 225 REV (551500163_551500296)



- | | |
|------------------------------|--------------|
| 10902224 | 4 SCREW |
| 12035671 | 4 LOCK WASHE |
| 12574211 | 4 NUT |
| 13178601 | SCREW |
| 15896211 | 8 NUT |
| 16050621 | 4 SCREW |
| 320968900 | 2 REFLECTOR |
| 321999050 | 1 PANEL |
| 322194950 | 1 BRACKET, S |
| 322397050 | 1 SUPPORT |
| 355510615 | 12 WASHER |
| 355510620 ● 003555106150 (2) | 2 WASHER |

225 REV

Equipment Suisse
Ausrustung fuer Schweiz

ALLESTIMENTO SVIZZERA

Switzerland version
Ausrustung fuer Schweiz

074

1/1 30040172005

VARIATIONS

MTB "REV" 225 REV (551500163_551500296)

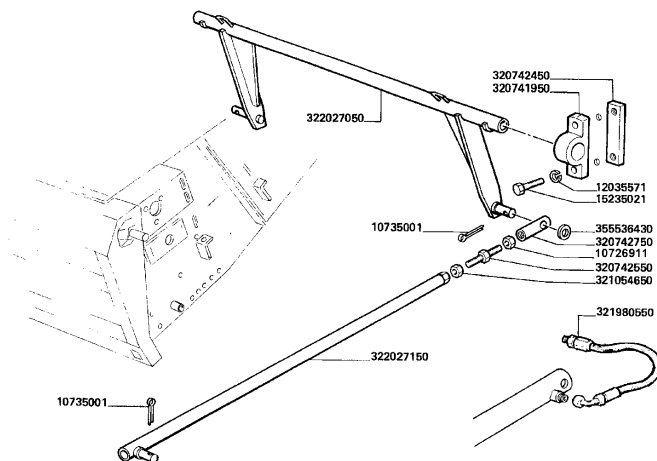
100
- 497_1



100497

1

FRONT ELEVATOR SUPPORT KIT



- | | |
|-----------|--------------|
| 10726911 | 1 NUT |
| 10735001 | 2 LINCH PIN |
| 12035571 | 2 LOCK WASHE |
| 15235021 | 2 SCREW |
| 320741950 | 1 SUPPORT |
| 320742450 | 1 PLATE |
| 320742550 | 1 PIN |
| 320742750 | 1 STRUT ELEM |
| 321054650 | 1 NUT |
| 321980550 | 1 HOSE |
| 322027050 | 1 COUNTER WE |
| 322027150 | 1 STRUT |
| 355536430 | 1 WASHER |

255 REV

IRRIDIMENTO ELEVATORE ANTERIORE

Raidisseur pour élévateur avant
Vorderelevator verstaerkung


Front elevator support kit
Refuerzo por elevador anterior

497

1/1

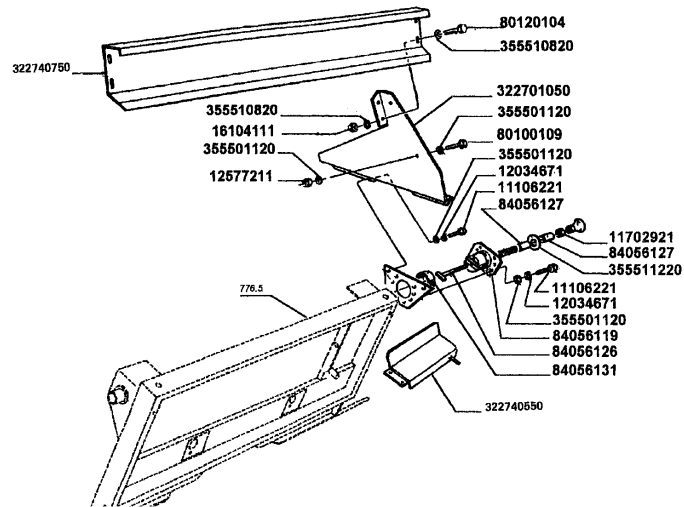
19160131002

VARIATIONS

100
-
776.2_1
 100776.2
_1

CHAFF SPREADER - SUPPORTS R.

MTB "REV" 225 REV (551500163_551500296)



- | | | |
|-----------|---|------------|
| 11106221 | 2 | SCREW |
| 11702921 | 1 | NUT |
| 12034671 | 2 | LOCK WASHE |
| 12577211 | 1 | NUT |
| 16104111 | 1 | NUT |
| 322740550 | 1 | SHUNTER |
| 322740750 | 1 | CROSSPIECE |
| 322741050 | 1 | SUPPORT |
| 355501120 | 5 | WASHER |
| 355510820 | 2 | WASHER |
| 80100109 | 1 | SCREW |
| 80120104 | 1 | SCREW |
| 84056119 | 1 | FLANGE |
| 84056126 | 1 | PIN |
| 84056127 | 2 | BUSH |
| 84056131 | 1 | BUSH |

255 REV

Epandeur de baie - Supports
Spreuverteiler - Halterungs

SPARGIPULA - SUPPORTI D.

Chaff spreader - Supports
Españador de tamo - Soportes

776.2

1/2 7117761310

VARIATIONS

100
- 877_1

BALLST WEIGHT ON REAR AXLE

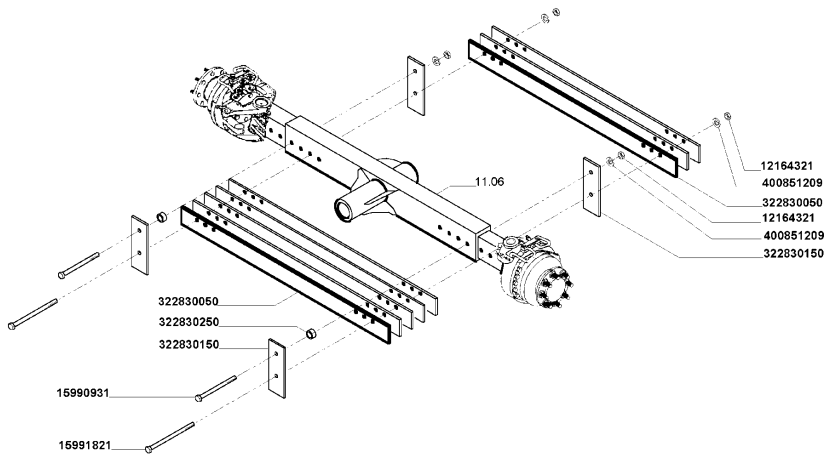
MTB "REV" 225 REV (551500163_551500296)



100877
1

- 12164321
- 15990931
- 15991821
- 322830050
- 322830150
- 322830250
- 400851209

- 4 NUT
- 2 SCREW
- 2 SCREW
- 14 WIGHT
- 4 BASE PLATE
- 8 SPACER
- 2 WASHER



255 REV

ZAVORRA SU ASSALE POSTERIORE 4WD

Masses sur l'assieu arrière
Ballstgewichte am hinterachse


Ballst weight on rear axle
Lastres sobre eje posterior

877

1/1 7118771410

VARIATIONS

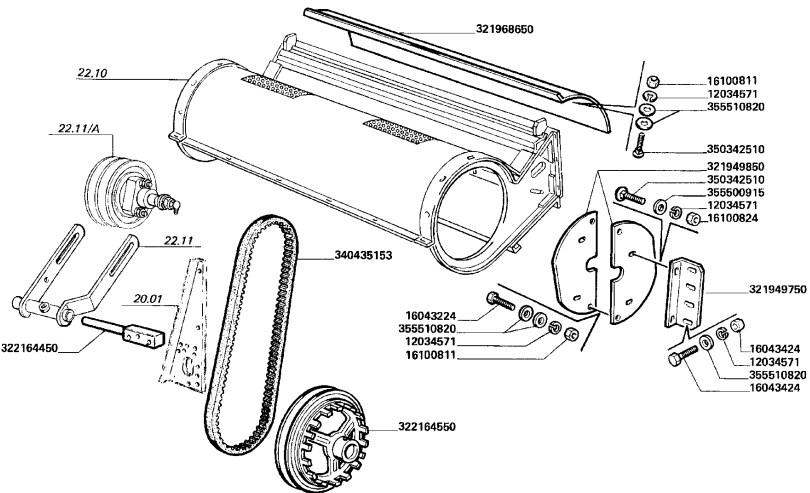
100
- 949_1



100949
1

EQUIPMENT FOR SMALL SEEDS

MTB "REV" 225 REV (551500163_551500296)



- 12034571
- 16043224
- 16043424
- 16100811
- 16100824
- 321949750
- 321949850
- 321968650
- 322164450
- 322164550
- 340435153
- 350342510
- 355500915
- 355510820

- 5 LOCK WASHE
- 2 SCREW
- 2 SCREW
- 3 NUT
- 2 NUT
- 1 SUPPORT
- 2 PANEL
- 1 PANEL
- 1 PIN
- 1 PULLEY
- 1 BELT
- 2 SCREW
- 2 WASHER
- 8 WASHER

255 REV

ALLESTIMENTO SEMI MINUTI
Version pour petites grains
Ausrustung fuer Kleinsamen
Equipment for small seeds
Alistamiento por semillas

949
1/1 22290131000

CLICK HERE TO **DOWNLOAD** THE COMPLETE MANUAL

- Thank you very much for reading the preview of the manual.
- You can download the complete manual from: www.heydownloads.com by clicking the link below



- Please note: If there is no response to CLICKING the link, please download this PDF first and then click on it.

CLICK HERE TO **DOWNLOAD** THE COMPLETE MANUAL