

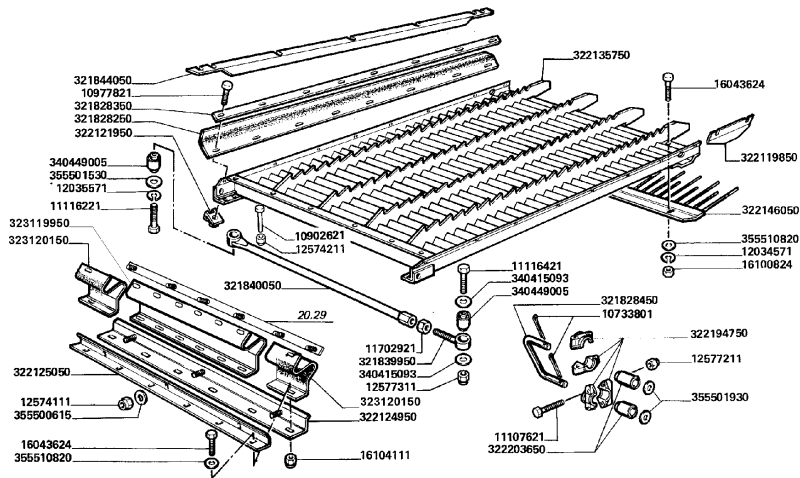
CLEANING

22.0
1_1

GRAIN PAN

MTB "REV" 225 REV (551500115_551500162)

22.01_1



225 REV

Table de reception
Foederboden

PIANO ALIMENTATORE

22.01

Grain pan
Zaranda

1/1 22010131002

- | | |
|-----------|--------------|
| 10733801 | 1 LINCH PIN |
| 10902621 | 1 SCREW |
| 10977821 | 8 SCREW |
| 11107621 | 1 SCREW |
| 11116221 | 1 SCREW |
| 11116421 | 1 SCREW |
| 11702921 | 1 NUT |
| 12035571 | 2 LOCK WASHE |
| 12574111 | 3 NUT |
| 12574211 | 1 NUT |
| 12577211 | 1 NUT |
| 12577311 | 1 NUT |
| 16043624 | 2 SCREW |
| 16100824 | 1 NUT |
| 16104111 | 6 NUT |
| 321828250 | 1 CONVEYOR |
| 321828350 | 1 STRAP |
| 321828450 | 1 CONROD |
| 321839950 | 1 HEAD |
| 321840050 | 1 ARM |
| 321844050 | 1 PLATE |
| 322119850 | 1 PANEL |
| 322121950 | 8 NUT |
| 322124950 | 1 PROFILE |
| 322125050 | 1 PROFILE |
| 322135750 | 1 GRAIN PAN |
| 322146050 | 1 RAKE |
| 322194750 | 4 SUPPORT |
| 322203650 | 2 BUSH |
| 323119950 | 1 GASKET |
| 323120150 | 2 GASKET |
| 340415093 | 2 SPACER |
| 340449005 | 2 SILENTBLOC |

● 003233658505 (1)

CLICK HERE TO **DOWNLOAD** THE COMPLETE MANUAL

- Thank you very much for reading the preview of the manual.
- You can download the complete manual from: www.heydownloads.com by clicking the link below



- Please note: If there is no response to CLICKING the link, please download this PDF first and then click on it.

CLICK HERE TO **DOWNLOAD** THE COMPLETE MANUAL

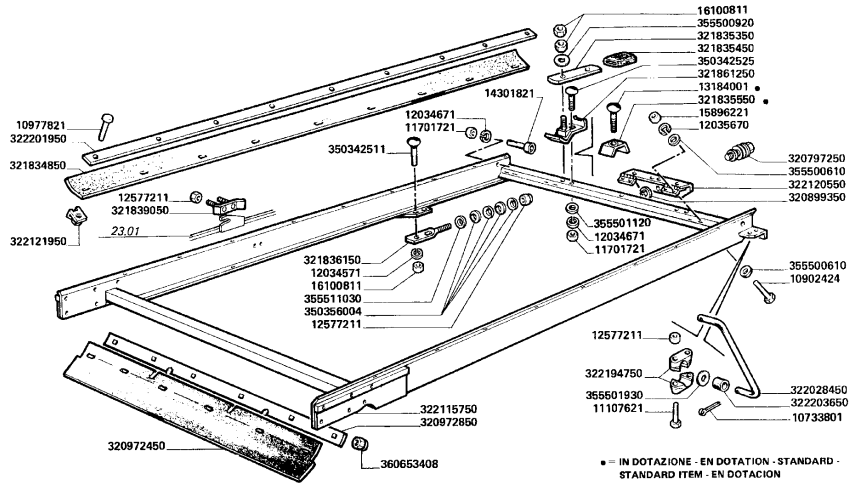
CLEANING

22.0
5_1

UPPER SHAKER SHOE

MTB "REV" 225 REV (551500115_551500162)

22.05_1



• = IN DOTAZIONE - EN DOTATION - STANDARD - STANDARD ITEM - EN DOTACION

- 10733801
 - 10902424
 - 10977821
 - 11107621
 - 11701721
 - 12034571
 - 12034671
 - 12035670
 - 12577211
 - 13184001
 - 14301821
 - 15896221
 - 16100811
 - 320797250
 - 320899350
 - 320972450
 - 320972850
 - 321834850
 - 321835350
 - 321835450
 - 321835550
 - 321836150
 - 321839050
 - 321861250
 - 322028450
 - 322115750
 - 322120550
 - 322121950
 - 322194750
 - 322201950
 - 322203650
 - 350342511
- 1 LINCH PIN
 - 1 SCREW
 - 20 SCREW
 - 1 SCREW
 - 2 NUT
 - 1 LOCK WASHE
 - 2 LOCK WASHE
 - 1 LOCK WASHE
 - 4 NUT
 - 1 SCREW
 - 1 SCREW
 - 1 NUT
 - 3 NUT
 - 1 STEM
 - 1 WASHER
 - 1 GASKET
 - 1 STRAP
 - 1 GASKET
 - 1 LEVER
 - 1 HANDLE GRI
 - 1 EXTENSION,
 - 1 TIE ROD
 - 1 RETAINER
 - 1 SUPPORT
 - 1 CONROD
 - 1 CASE
 - 1 SUPPORT
 - 1 NUT
 - 2 SUPPORT
 - 1 STRAP
 - 1 BUSH
 - 1 SCREW
- 000120356710 (1)
 - 000803504590 (1)

255 REV

Hotte de nettoyage supérieur
Oberschwingskasten

CASSONE OSCILLANTE SUPERIORE

Upper shaker shoe
Zaranda superior

22.05

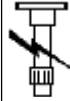
1/1 22050131003

CLEANING

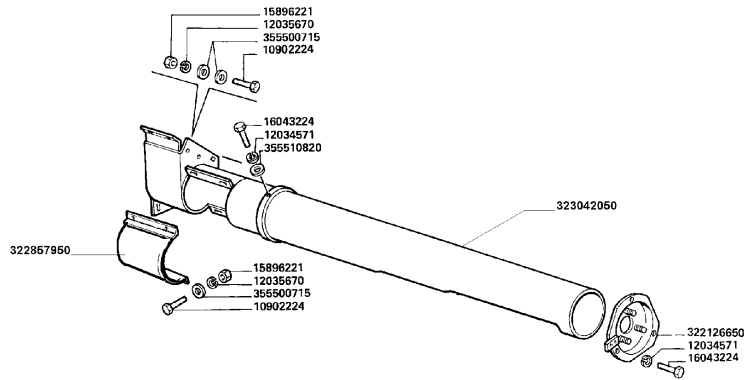
22.0
7_4

TAILINGS ELEVATOR (NORMAL) page4

MTB "REV" 225 REV (551500115_551500162)



22.07_4



- | | | | |
|-----------|--------------------|---|------------|
| 10902224 | | 2 | SCREW |
| 12034571 | | 2 | LOCK WASHE |
| 12035670 | ● 000120356710 (2) | 2 | LOCK WASHE |
| 15896221 | | 2 | NUT |
| 16043224 | | 3 | SCREW |
| 322126650 | | 1 | SUPPORT |
| 322857950 | | 1 | LID |
| 323042050 | | 1 | PLATE |
| 355500715 | | 3 | WASHER |
| 355510820 | | 1 | WASHER |

225 REV

ELEVATORE RECUPERO (NORMALE) (CONTROLLO RECUPERO)

*Élévateur à otans
Ueberkereelevator*

*Tailings elevator
Caja elevador retorno*

22.07

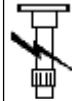
4/5 22070192000

CLEANING

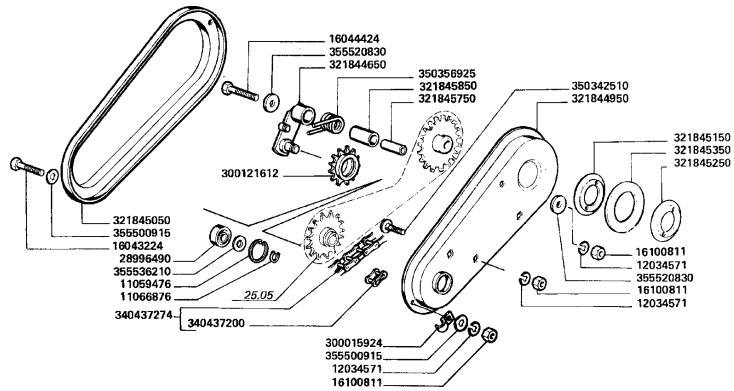
22.1
4_4

GRAIN ELEVATOR (ANTHWEAR) page 4

MTB "REV" 225 REV (551500115_551500162)



22.14_4



- | | | | |
|-----------|--------------------|---|------------|
| 11059476 | | 1 | SPRING LOC |
| 11066876 | | 1 | SPRING LOC |
| 12034571 | | 3 | LOCK WASHE |
| 16043224 | | 1 | SCREW |
| 16044424 | | 1 | SCREW |
| 16100811 | | 3 | NUT |
| 28996490 | | 1 | BEARING |
| 300015924 | | 1 | CLAW |
| 300121612 | ● 003232915500 (1) | 1 | CHAIN ADJU |
| 321844650 | | 1 | ARM |
| 321844950 | | 1 | SHIELD |
| 321845050 | | 1 | SHIELD |
| 321845150 | | 1 | DISC |
| 321845250 | | 1 | DISC |
| 321845350 | | 1 | GASKET |
| 321845750 | | 1 | SPACER |
| 321845850 | | 1 | SPACER |
| 340437200 | ● 003278401250 (1) | 1 | CONNECTING |
| 340437274 | | 1 | CHAIN ASA |
| 350342510 | | 1 | SCREW |
| 350356925 | | 1 | SPRING |
| 355500915 | | 2 | WASHER |
| 355520830 | | 2 | WASHER |
| 355536210 | | 1 | WASHER |

255 REV

ELEVATORE GRANO(ANTIUSURA) (TRASMISSIONE SUPERIORE)
Elevateur grains (antiusure)
Kornelievator (verschleissfrei)


Grain elevator (anth:wear)
Elevador de grano (antes usura)

22.14

4/4 22140172005

CLEANING

23.3
0_1

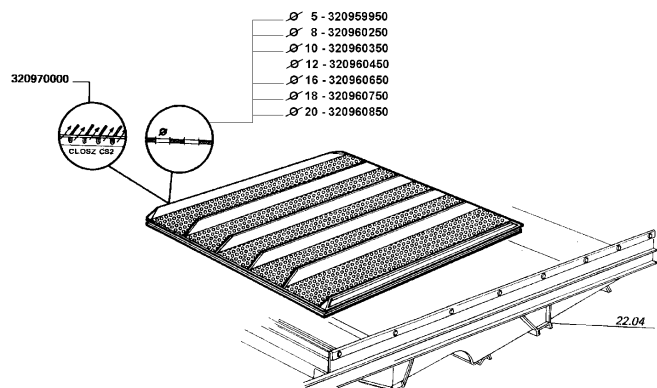


23.30_1

LOWER SIEVE

MTB "REV" 225 REV (551500115_551500162)

- | | |
|-----------|---------|
| 320959950 | 1 SIEVE |
| 320960250 | 1 SIEVE |
| 320960350 | 1 SIEVE |
| 320960450 | 1 SIEVE |
| 320960650 | 1 SIEVE |
| 320960750 | 1 SIEVE |
| 320960850 | 1 SIEVE |
| 320970000 | 1 SIEVE |



LA DOTAZIONE DEI VAGLI VARIA SECONDO L'ALLESTIMENTO DELLA MACCHINA
La dotation des cribles varie selon le standard de la machine
Die siebeausstattung wechselt gemess der maehdroscherausruestung
The set of sieves varies according to the machines standard
La dotacion de las cribas varian segun el alistamiento de la maquina

255 REV

Crible inférieure
Untersieb

VAGLIO INFERIORE

Lower sieve
Criba inferior

23.30

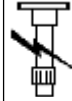
1/1 23300131002

DRIV'S PLATFORM

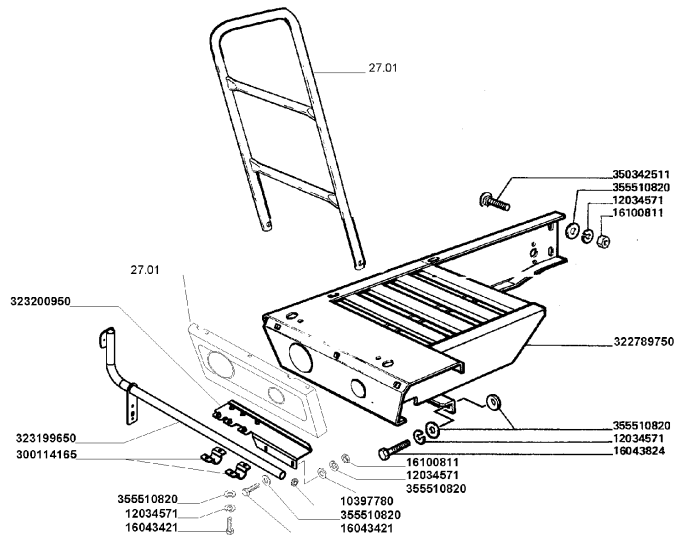
27.0
4_2

PLATFORM FOOTBOARDS (right)

MTB "REV" 225 REV (551500115_551500162)



27.04_2



- 10397780
- 12034571
- 16043421
- 16043424
- 16043824
- 16044224
- 16100811
- 16104111
- 322789750
- 350342511
- 355510820

- 1 RING
- 5 LOCK WASHE
SCREW
- 2 SCREW
- 1 SCREW
- 2 SCREW
- 2 NUT
- 2 NUT
- 1 FLOOR
- 2 SCREW
- 6 WASHER

225 REV

Marche pieds poste de conduite
Plattformtrittbretter

PEDANE PIATTAFORMA (DESTRA)

Platform footboards
Estribos plataforma

27.04

2/2 27040172006

DRIV'S PLATFORM

27.1
3.6_1

CAB - HEADLIGHT page 1

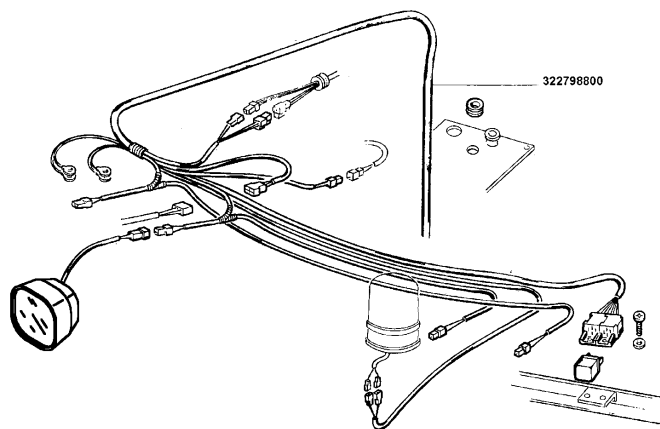
MTB "REV" 225 REV (551500115_551500162)



27.13.6
1

322798800

1 WIRE/CABLE



255 REV

Cabine - Projecteurs
Kabine - Scheinwerferen

CABINA - FARI

Cab - Headlight
Cabina - Faros

27.13.6

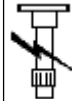
1/2 27130316000

DRIV'S PLATFORM

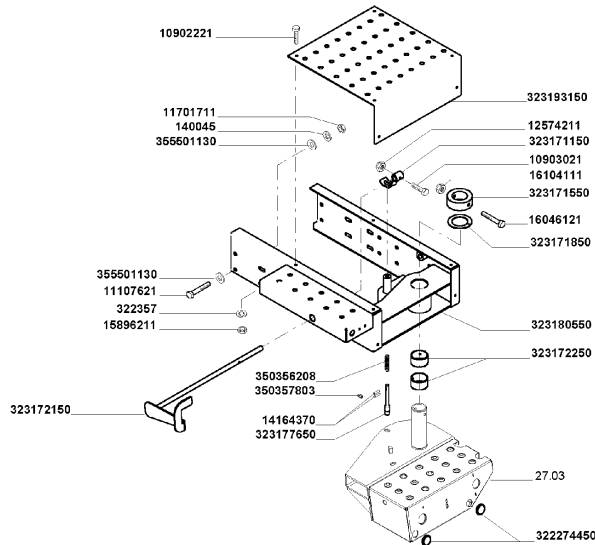
27.2
2_1

LADDER FOOTBOARD

MTB "REV" 225 REV (551500115_551500162)



27.22_1



- 10902221
- 10903021
- 11107621
- 11701711
- 12574211
- 140045
- 15896211
- 16104111
- 322274450
- 322357
- 323171150
- 323171550
- 323171850
- 323172150
- 323172250
- 323177650
- 323180550
- 323193150
- 350356208
- 350357803
- 355501130
- 6 SCREW
- 1 SCREW
- 4 SCREW
- 4 NUT
- 1 NUT
- 4 WASHER
- 2 NUT
- 1 NUT
- PLUG
- 2 WASHER
- 1 RETAINER
- 2 BUSH
- 1 WASHER
- 1 THROTTLE BEARING
- 1 PIN
- 1 FLOOR
- 1 LANDING
- 1 SPRING
- 1 NIPPLE, LU
- 4 WASHER

● 003231957000 (1)

225 REV

Support escalier
Leitertreibreiter

ESTENSIONE PEDANA SCALA

Ladder footboard
Estribo escalera

27.22

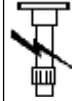
1/1 27220332000

DRUM

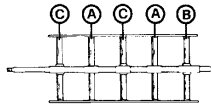
20.0
5_1

DRUM WITH BARS

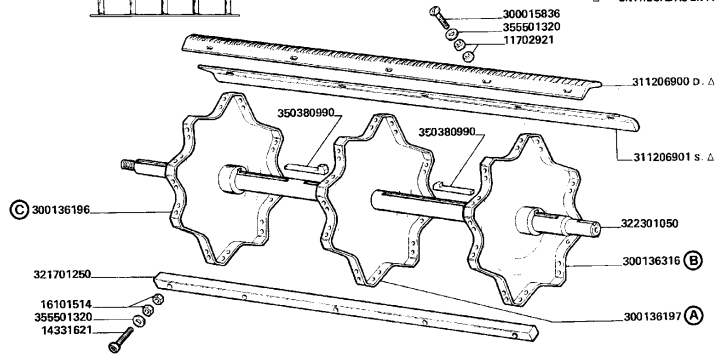
MTB "REV" 225 REV (551500115_551500162)



20.05_1



△ = FORNITE IN COPPIA
△ = FOURNIES EN COUPLE
△ = PAARWEISE GELIEFERT
△ = FURNISHED BY PAIR
△ = ENTREGADAS EN PAREJA



- | | |
|-----------|--------------|
| 11702921 | 2 NUT |
| 14331621 | 1 SCREW |
| 16101514 | 2 NUT |
| 300015836 | 40 SCREW |
| 300136196 | 1 SUPPORT |
| 300136197 | 1 SUPPORT |
| 300136316 | 1 SUPPORT |
| 311206900 | 1 PAIR BAR P |
| 311206901 | 1 PAIR BAR P |
| 321701250 | 1 BAR |
| 322301050 | 1 MAST |
| 350380990 | 2 KEY |
| 355501320 | 2 WASHER |

255 REV

Batteur a balles
Dreschtrammel mit leisten

BATTITORE A SPRANGHE

Drum with bars
Cilindro de barras

20.05

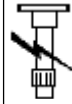
1/1 20050152020

DRUM

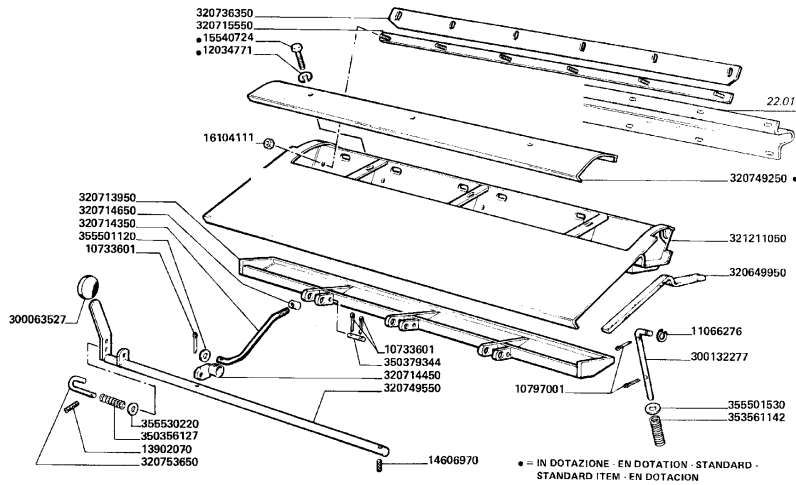
20.2
9_1

CONVEYING CONCAVE page 1

MTB "REV" 225 REV (551500115_551500162)



20.29_1



• = IN DOTAZIONE - EN DOTATION - STANDARD -
STANDARD ITEM - EN DOTACION

255 REV

IMBOCCO E PETTINE CONTROBATTITORE
Toile d'entrée et peigne du contrebatteur
Leitblech und korbausgangstrechen

20.29

1/2 20290131026

- | | | |
|-----------|--------------------|--------------|
| 10733601 | | 3 LINCH PIN |
| 10797001 | | 2 LINCH PIN |
| 11066276 | | 1 SPRING LOC |
| 12034771 | | 1 LOCK WASHE |
| 13902070 | | 1 DOWEL |
| 14606970 | | 1 PLUG |
| 15540724 | ● 000155407240 (1) | 1 SCREW |
| 16104111 | | 1 NUT |
| 300063527 | ● 003234156505 (1) | 1 KNOB |
| 300132277 | | 1 DOWEL |
| 320649950 | | 2 GASKET |
| 320713950 | | 1 HATCH |
| 320714350 | | 1 TIE ROD |
| 320714450 | | 1 LEVER LEAD |
| 320714650 | | 1 PIN |
| 320715550 | | 1 STRAP |
| 320736350 | | 1 PLATE |
| 320749250 | | 1 PANEL |
| 320749550 | | 1 SHAFT |
| 320753650 | | 1 LATCH |
| 321211050 | | 1 CONVEYING |
| 350356127 | | 1 SPRING |
| 350379344 | | 1 DOWEL |
| 353561142 | | 1 SPRING |
| 355501120 | | 1 WASHER |
| 355501530 | | 1 WASHER |
| 355530220 | | 1 WASHER |

ELECTRIC SYSTEM

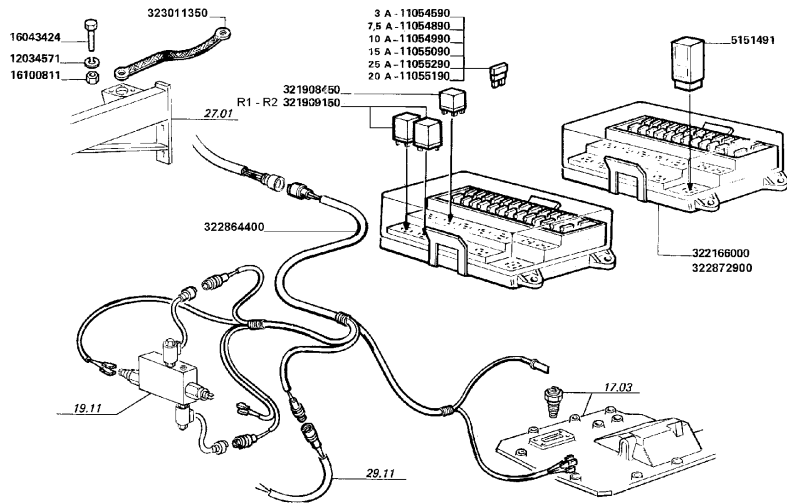
29.0
3_3

CONTROL CIRCUITS page 3

MTB "REV" 225 REV (551500115_551500162)



29.03_3



- 11054590 1 FUSE
- 11054890 1 FUSE
- 11054990 1 FUSE
- 11055090 1 FUSE
- 11055190 1 FUSE
- 11055290 1 FUSE
- 12034571 3 LOCK WASHE
- 16043424 3 SCREW
- 16100811 3 NUT
- 321115350 1 EARTH WIRE
- 321908450 1 SWITCH, RE
- 321909150 2 WARNING DE
- 322166000 1 BOX
- 322864400 1 WIRE/CABLE
- 322872900 1 BOX
- 5151491 1 FLASHER,12

225 REV

Circuits de controle
Kontroltekreis

CIRCUITI DI CONTROLLO

Control circuits
Circuitos de control

29.03

3/7 29030152005

ELECTRIC SYSTEM

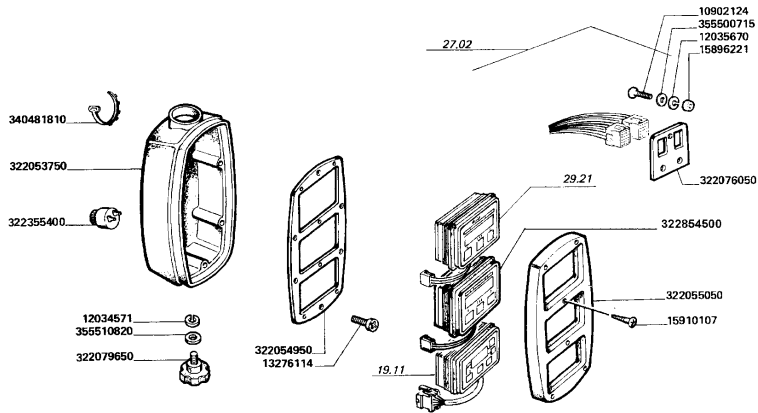
29.1
1_1

DIGITAL INSTRUMENTATION page 1

MTB "REV" 225 REV (551500115_551500162)



29.11_1



- 10902124
- 12034571
- 12035670
- 13276114
- 15896221
- 15910107
- 322053750
- 322054950
- 322055050
- 322076050
- 322079650
- 322355400
- 322854500
- 340481810
- 355500715
- 355510820
- 2 SCREW
- 1 LOCK WASHER
- 1 LOCK WASHER
- 2 SCREW
- 2 NUT
- 2 SCREW
- 1 BODY
- 1 FLANGE
- 1 FRONT
- 1 PLATE
- 1 HANDWHEEL
- 1 BUZZER
- 2 COMPUTER
- 3 CLAMP
- 2 WASHER
- 1 WASHER

255 REV

Instruments digitaux
Digital instrumentation

STRUMENTAZIONE DIGITALE

Digital instrumentation
Instrumentacion digital

29.11

1/2 29110316000

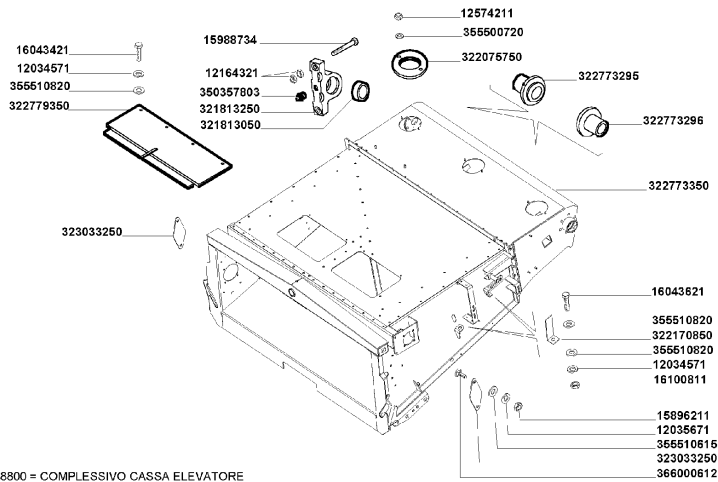
Elevator

19.0
3_1

FRONT ELEVATOR page 1

MTB "REV" 225 REV (551500115_551500162)

19.03_1



322848800 = COMPLESSIVO CASSA ELEVATORE

225 REV

Elevateur avant
Vorderelevator

ELEVATORE ANTERIORE

Front elevator
Elevador anterior

19.03

1/11 19030152005

- 12034571
- 12035671
- 12164321
- 12574211
- 15896211
- 15988734
- 16043421
- 16043621
- 16100811
- 321813050
- 321813250
- 322075750
- 322170850
- 322773295
- 322773296
- 322773350
- 322779350
- 322848800
- 323033250
- 323189400
- 350357803
- 355500720
- 355510615
- 355510820
- 36000612
- 23 LOCK WASHE
- 1 LOCK WASHE
- 8 NUT
- 2 NUT
- 1 NUT
- 4 SCREW
- 20 SCREW
- 1 SCREW
- 1 NUT
- 2 BUSH
- 2 SUPPORT
- 1 COVER
- 1 BRACKET, S
- 1 FLANGE
- 1 FLANGE
- 1 CASHIER
- 1 LID
- 1 CASHIER
- 2 PANEL
- CASHIER
- 2 NIPPLE, LU
- 2 WASHER
- 1 WASHER
- 34 WASHER
- 1 SCREW

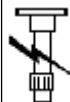
● 003555007150 (2)

Elevator

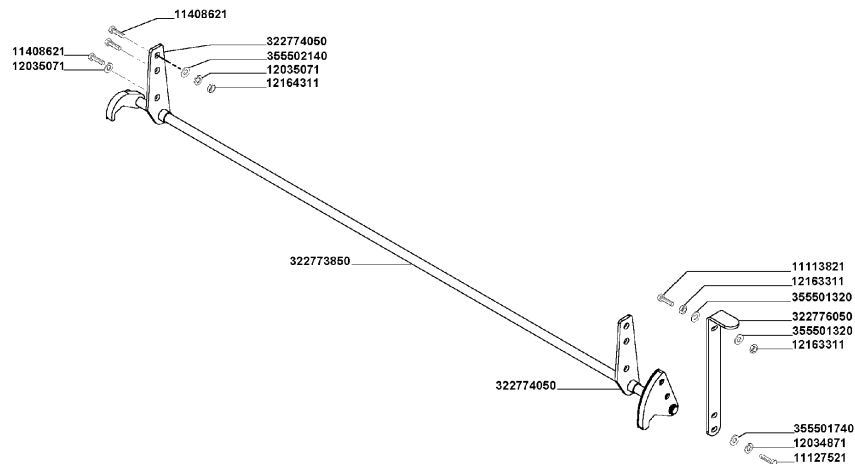
19.0
3_8

FRONT ELEVATOR page 8

MTB "REV" 225 REV (551500115_551500162)



19.03_8



- | | | | |
|-----------|--------------------|---|------------|
| 11113821 | | 1 | SCREW |
| 11127521 | | 1 | SCREW |
| 11408621 | | 6 | SCREW |
| 11702911 | | | NUT |
| 12034871 | | 1 | LOCK WASHE |
| 12035071 | | 2 | LOCK WASHE |
| 12164311 | ● 000121643210 (1) | 1 | NUT |
| 322773850 | | 1 | LEVER |
| 322774050 | | 2 | SUPPORT |
| 322776050 | | 1 | LEVER LEAD |
| 355501320 | | 2 | WASHER |
| 355501740 | | 1 | WASHER |
| 355502140 | | 1 | WASHER |

225 REV

ELEVATORE ANTERIORE STANDARD (AGGANCIO TESTATA)
Elevateur avant
Vorderelevator


19.03

Front elevator
Elevador anterior

8/11 19030152005

ENGINE INSTALLATION

10.0
1_1



10.01_1

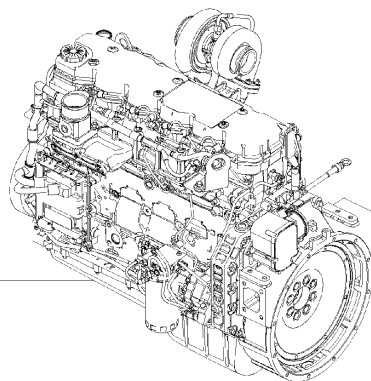
ENGINE INSTALLATION page 1

MTB "REV" 225 REV (551500115_551500162)

323200300

ENGINE

323200300



225 REV

*Moteur
Motor*

MOTORE

10.01

*Engine
Motor*

1/6 10010152006

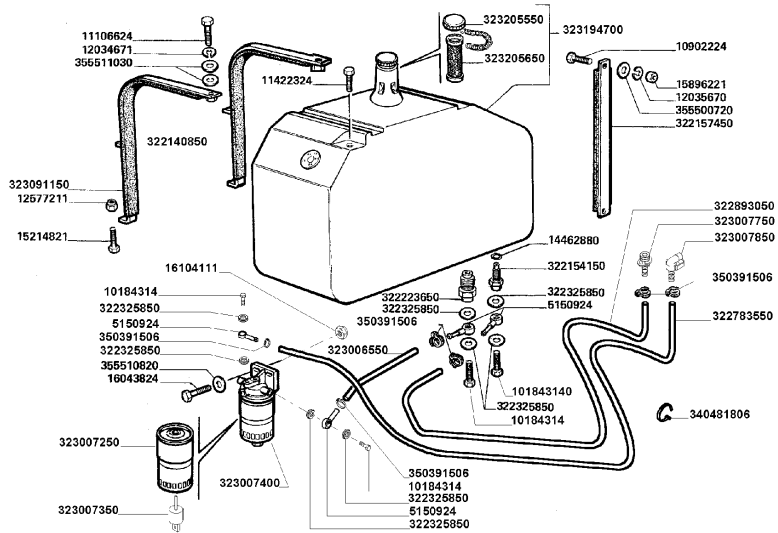
ENGINE INSTALLATION

10.0
6_1

FUEL TANK page 1

MTB "REV" 225 REV (551500115_551500162)

10.06_1



- 323007750 1 SOCKET
- 323007850 1 SOCKET
- 323018850 1 SENSOR
- 323091150 1 COLLAR
- 323205550 1 CORK
- 323205650 ● 003221656500 (1) 1 FILTER
- 340481806 1 CLAMP
- 350391506 6 CLAMP
- 355500720 ● 003555007150 (1) 1 WASHER
- 355510820 1 WASHER
- 355511030 1 WASHER
- 5150924 4 UNION

225 REV

Reservoir carburant
Kraftstofftank

SERBATOIO COMBUSTIBILE

Fuel tank
Deposito de combustible

10.06

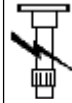
1/2 10060152005

ENGINE INSTALLATION

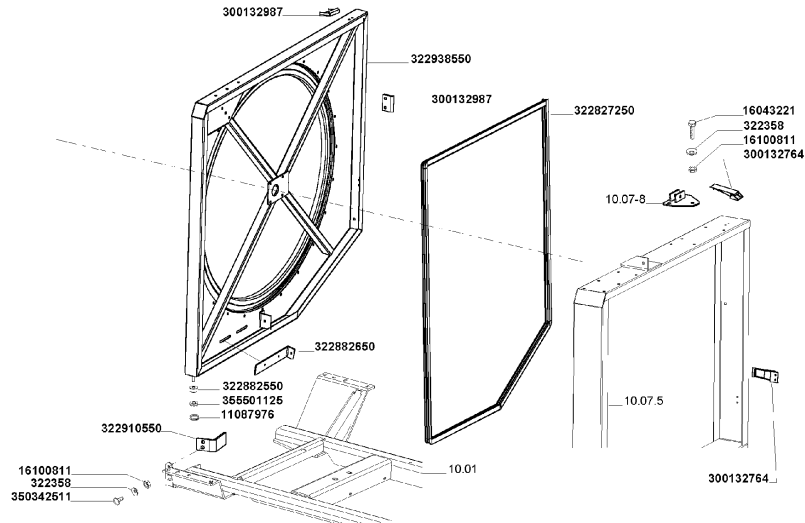
10.0
7_7

RADIATOR FILTER page 7

MTB "REV" 225 REV (551500115_551500162)



10.07_7



- 11087976
- 16043221
- 16043821
- 16100811
- 300132764
- 300132987
- 322358
- 322827250
- 322882550
- 322882650
- 322910550
- 322938550
- 355501125

- 1 SPRING LOC
- 1 SCREW
- 1 SCREW
- 2 NUT
- 2 BRIDLE
- 2 PLATE
- 2 WASHER
- 1 GASKET
- 1 GUIDE ROLL
- 1 BASE PLATE
- 1 CONTAINER
- 1 DOOR
- 1 WASHER

225 REV

Filtere radiateur
Kuehlerfilter

FILTRO ROTANTE - RADIATORE

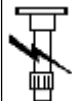
Radiator filter
Filtro radiador

10.07

7/10 10070152006

Engine IVECO TIER 2 (551500115_551500138)

Crank shaft - connecting rods

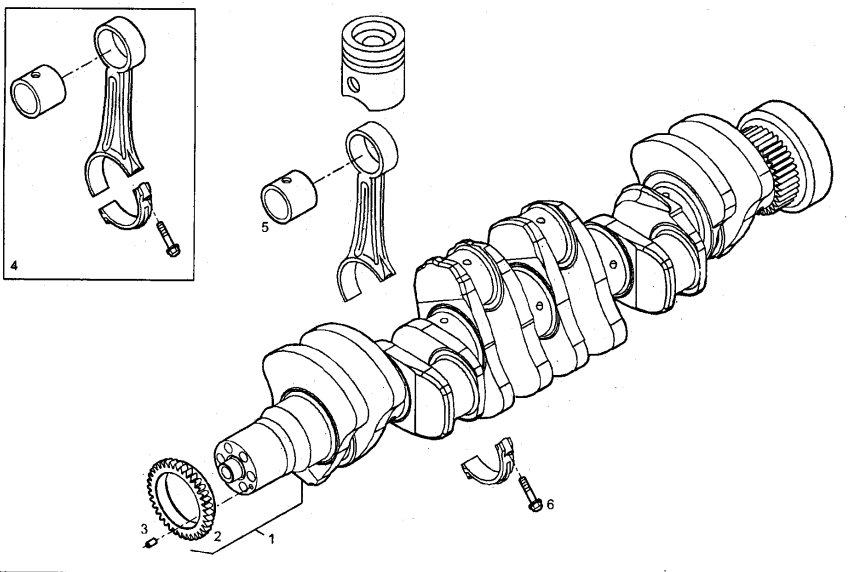


MTB "REV" 225 REV (551500115_551500162)

CRANK SHAFT - CONNECTING RODS

Albero motore - bielle
Vilebrequin - bielles
Kurbelwelle - Pleuelstangen
Cigüenyal - bielas

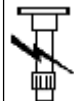
0800.099



- 1 4896766
- 2 4893386
- 3 4899046
- 4 4898808
- 5 4891178
- 6 4891179

- 1 CRANK SHAF
- 1 GEAR
- 1 DOWEL
- 6 CONROD
- 6 BUSH
- 6 SCREW

Engine IVECO TIER 2 (551500115_551500138)

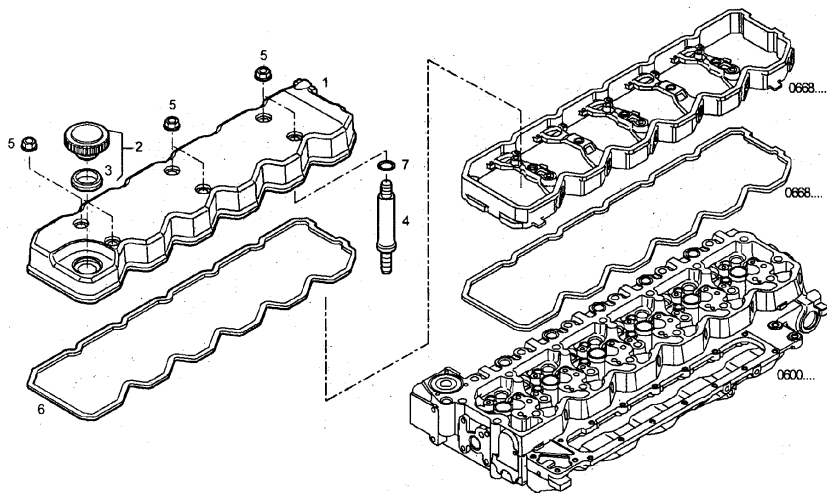


Cylinder head covers

MTB "REV" 225 REV (551500115_551500162)

CYL. HEAD COVERS
Coperchio testa cilindri
Couvercles culasse
Zylinderkopfdeckel
Tapas de culata

0630.003



- | | | | |
|---|-----------|--|----------|
| 1 | 323015750 | | 1 COVER |
| 2 | 323017750 | | 1 PLUG |
| 3 | 323015850 | ● 005040700380 (1)
005040751250 (6)
005040700410 (6) | 1 GASKET |
| 4 | 4896991 | | 6 SCREW |
| 5 | 4893936 | | 6 NUT |
| 6 | 4899226 | ● 005040700380 (1)
005040751250 (6)
005040700410 (6) | 1 GASKET |
| 7 | 4899239 | | 6 BLOCK |

Engine IVECO TIER 2 (551500115_551500138)

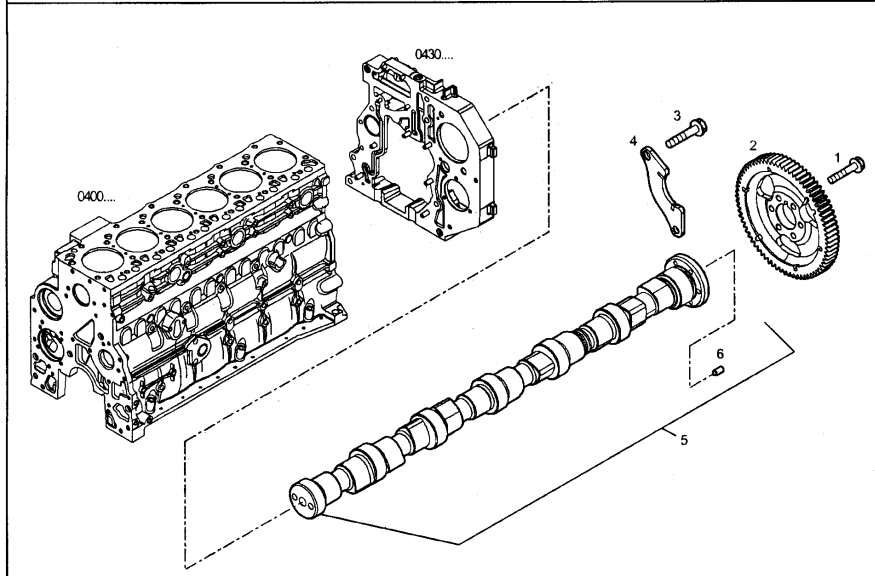
MTB "REV" 225 REV (551500115_551500162)



Timing parts

TIMING PARTS
Organi distribuzione
Distribution
Steuerungsteile
Partes de distribución

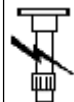
1200.087



- 1 4899079
- 2 4896380
- 3 4899068
- 4 4897457
- 5 4896421
- 6 4899080

- 6 SCREW
- 1 GEAR
- 2 SCREW
- 1 STIRRUP
CAMSHAFT
- 1 DOWEL

Engine IVECO TIER 2 (551500115_551500138)

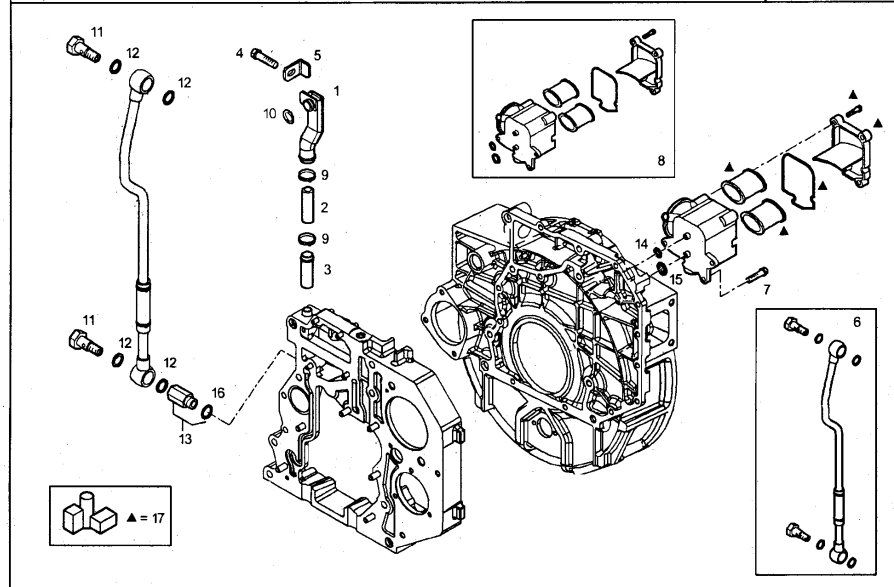


MTB "REV" 225 REV (551500115_551500162)

Engine Breathers

ENGINE BREATHERS
Sfiataoi motore
Reniflard
Belüftung des Motors
Respiradero motor

0450.178



- 1 4897534
- 2 4897546
- 3 4897547
- 4 4897537
- 5 4897536
- 6 4899219
- 7 4899092
- 8 4892871
- 9 4893234
- 10 4898439
- 11 16511214
- 12 4899926
- 13 4899818
- 14 2830304
- 15 4898372
- 16 4895610
- 17 2992447

● 000144575810 (1)

- 1 BREATHER PIPE
- 1 RUBBER SLE
- 1 SLEEVE
- 1 Hex bolt
- 1 BRACKET
- 1 BREATHER PIPE
- 3 Hex bolt
- 1 VENT
- 2 COLLAR
- 1 O-RING
- 2 BOLT, BANJ
- 4 GASKET
- 1 BOLT, BANJ
- 1 O-RING
- 1 O-RING
- 1 O-RING
- 1 KIT FILTER

Engine IVECO TIER 2 (551500115_551500138)

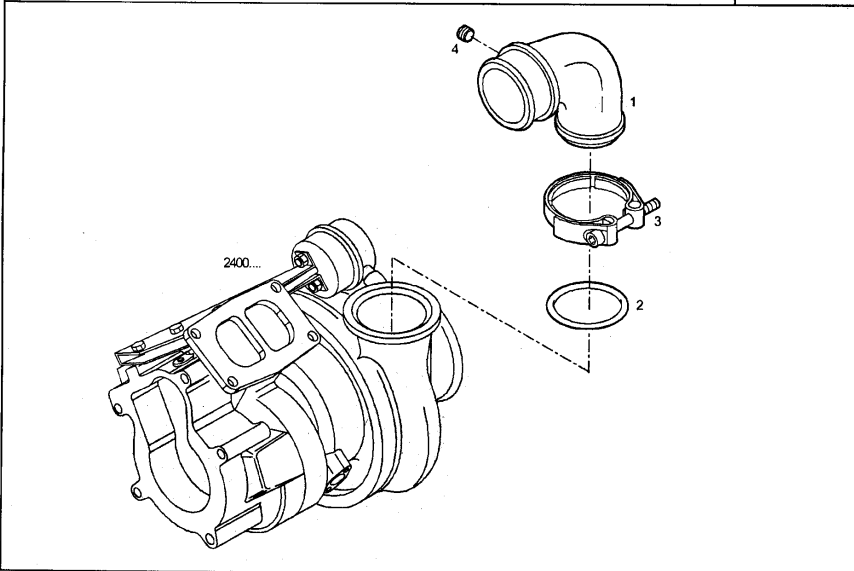
MTB "REV" 225 REV (551500115_551500162)



Supercharging lines

SUPERCHARGING LINES
Tubazioni di sovralimentazione
Conduites de suralimentation
Ladeleitung
Conductos de sobrealimentación

2420.193



- 1 4895141
- 2 4899087
- 3 504043157
- 4 4895098
- 5 4899098

- 1 ELBOW
- 1 O-RING
- 1 COLLAR
- 1 PLUG
THREADED
- 1 NUT

CLICK HERE TO **DOWNLOAD** THE COMPLETE MANUAL

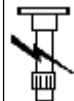
- Thank you very much for reading the preview of the manual.
- You can download the complete manual from: www.heydownloads.com by clicking the link below



- Please note: If there is no response to CLICKING the link, please download this PDF first and then click on it.

CLICK HERE TO **DOWNLOAD** THE COMPLETE MANUAL

Engine IVECO TIER 3 (551500139_551509999)



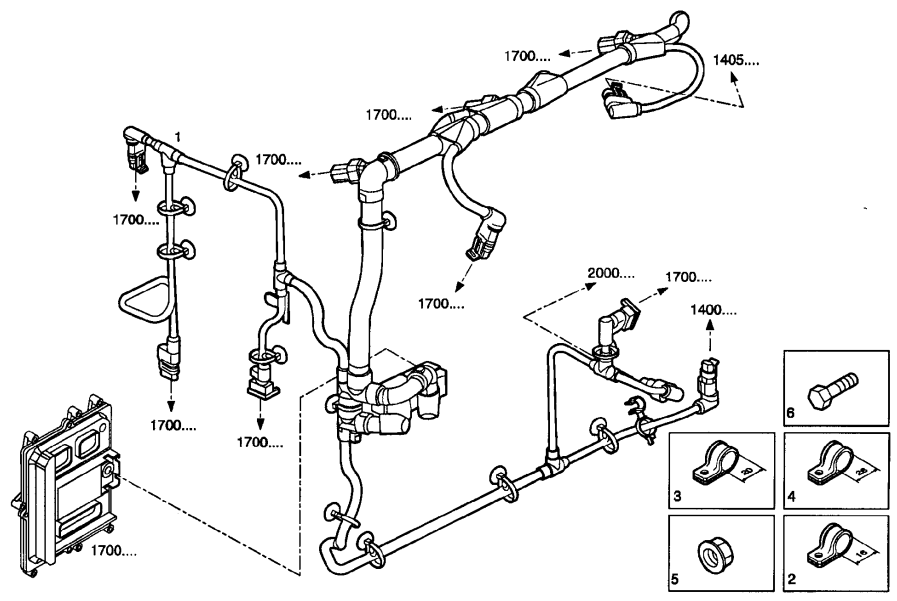
Cables

MTB "REV" 225 REV (551500115_551500162)

CABLES
Cablaggio
Câblage
Verkabelung
Cableado

5690.085

1/1



- 1 504092094
- 2 17315190
- 3 17315390
- 4 17315690
- 5 17044625
- 6 4899091

- 1 WIRE/CABLE
- 1 BRACKET
- 1 STIRRUP
- 1 BRACKET
- 3 NUT
- 3 Hex bolt

Engine IVECO TIER 3 (551500139_551509999)

Oil filters

MTB "REV" 225 REV (551500115_551500162)

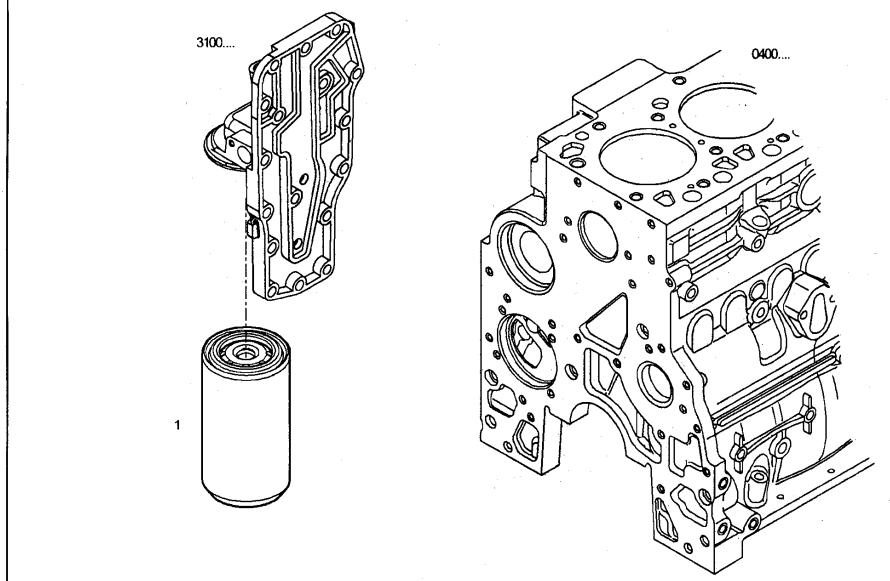


1 2992242 ● 00323017850N (1) 1 FILTER, EL

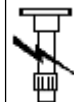
OIL FILTERS

Filtri olio
Filtres à huile
Ölfiter
Filtros aceite

3020.080



Engine IVECO TIER 3 (551500139_551509999)

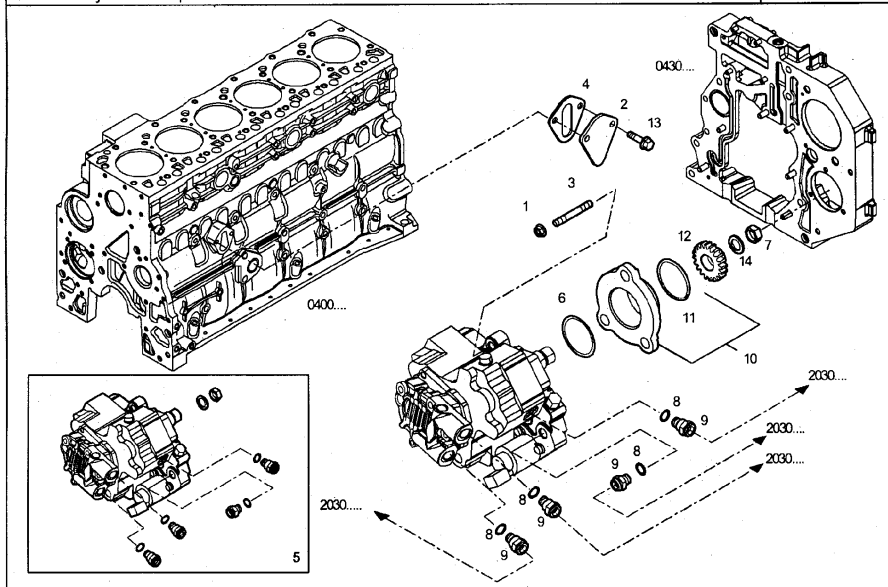


Injection pump assy

MTB "REV" 225 REV (551500115_551500162)

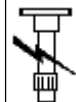
INJECTION PUMP ASSY
 Pompa iniezione completa
 Pompe d'injection complete
 Einspritzpumpe vollständig
 Bomba de inyección completa

1400.309



- | | | | |
|----|-----------|---|--------|
| 1 | 17044735 | 3 | NUT |
| 2 | 4896952 | 1 | COVER |
| 3 | 16747224 | 3 | STUD |
| 4 | 4890700 | 1 | GASKET |
| 5 | 4898921 | 1 | PUMP |
| 6 | 42549209 | 1 | O-RING |
| 7 | 4890634 | 1 | NUT |
| 8 | 93156604 | 4 | GASKET |
| 9 | 4893962 | 4 | UNION |
| 10 | 504041278 | 1 | SPACER |
| 11 | 17285381 | 1 | O-RING |
| 12 | 4893389 | 1 | GEAR |
| 13 | 16673635 | 2 | SCREW |
| 14 | 17095814 | 1 | WASHER |

Engine IVECO TIER 3 (551500139_551509999)



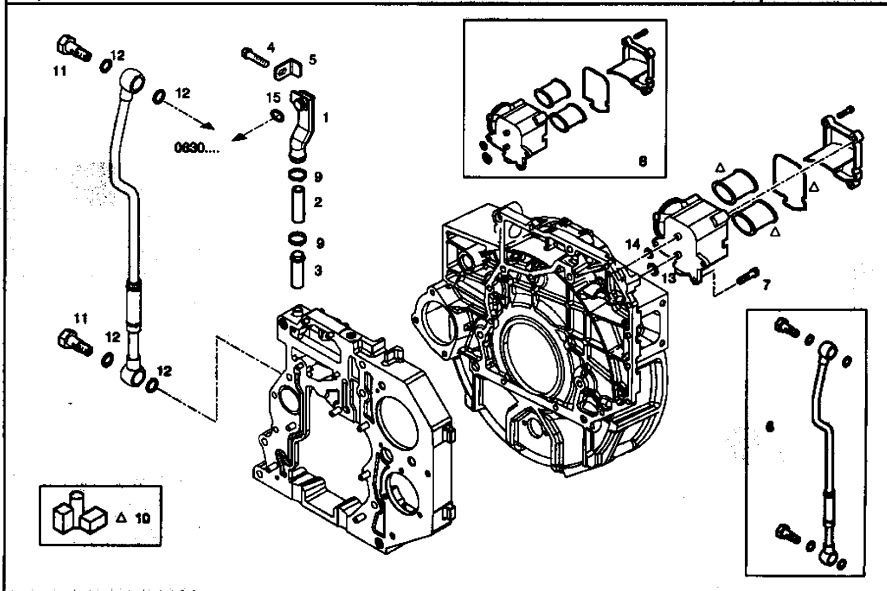
Engine Breathers

MTB "REV" 225 REV (551500115_551500162)

ENGINE BREATHERS
Sfiatatoi motore
Reniflard
Belüftung des Motors
Respiradero motor

0450.178

1/1



- 1 4897534
- 2 4897546
- 3 4897547
- 4 4897537
- 5 4897536
- 6 4899219
- 7 4899092
- 8 4892871
- 9 4893234
- 10 2992447
- 11 16511214
- 12 4899926
- 13 4898372
- 14 2830304
- 15 14457581

- 1 BREATHER PIPE
- 1 RUBBER SLE
- 1 SLEEVE
- 1 Hex bolt
- 1 BRACKET
- 1 BREATHER PIPE
- 3 Hex bolt
- 1 VENT
- 2 COLLAR
- 1 KIT FILTER
- 2 BOLT, BANJ
- 4 GASKET
- 1 O-RING
- 1 O-RING
- 1 O-RING

Engine IVECO TIER 3 (551500139_551509999)

Fuel lines page 3

MTB "REV" 225 REV (551500115_551500162)



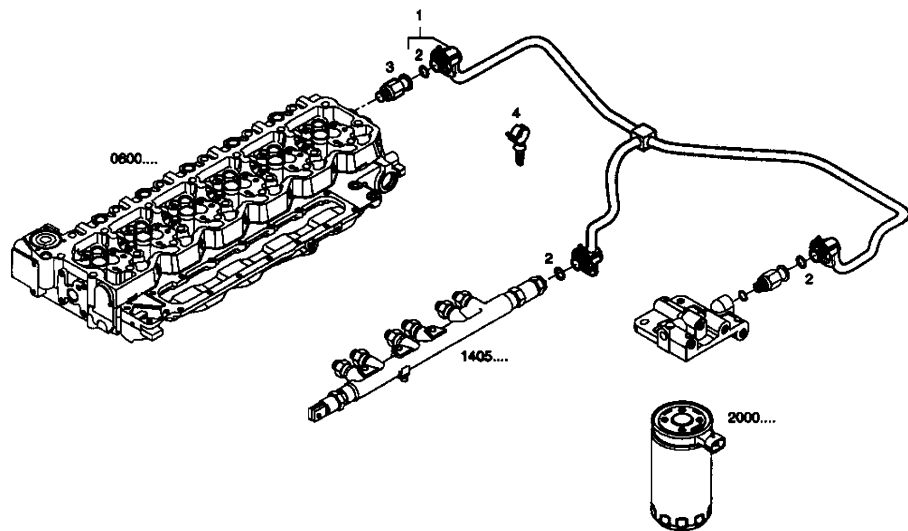
FUEL LINES
Tubazioni alimentazione
Canalisations de combustible
Kraftstoffleitung
Tuberías de combustible

2030.287

1/1

- 1 504116745
- 2 4894095
- 3 4896329
- 4 4896996

- 1 PIPE
- 3 O-RING
- 1 VALVE
- 1 SPRING

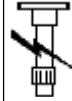


GRAIN TANK AND FAIRINGS

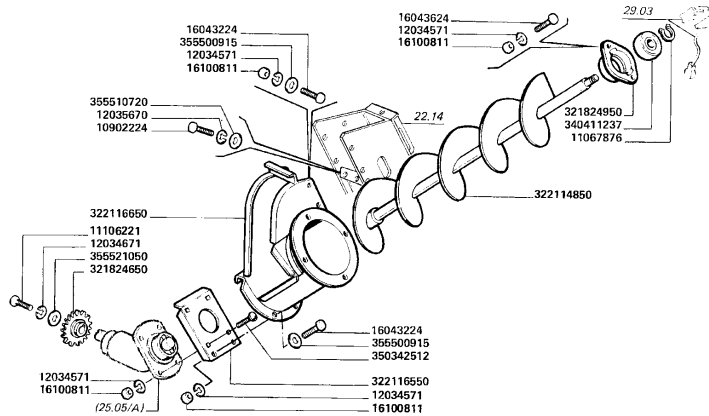
25.0
5_1

TANK FEED page 1

MTB "REV" 225 REV (551500115_551500162)



25.05_1



- 10902224 2 SCREW
 - 11067876 1 SPRING LOC
 - 11106221 1 SCREW
 - 12034571 9 LOCK WASHE
 - 12034671 1 LOCK WASHE
 - 12035670 2 LOCK WASHE
 - 16043224 10 SCREW
 - 16043624 1 SCREW
 - 16100811 9 NUT
 - 321824650 1 GEAR
 - 321824950 1 SUPPORT
 - 322114850 1 AUGER
 - 322116550 1 PLATE RETA
 - 322116650 1 UNION
 - 340411237 1 BEARING
 - 350342512 4 SCREW
 - 355500915 4 WASHER
 - 355510720 2 WASHER
 - 355521050 1 WASHER
- 000120356710 (2)
- 003221165503 (1)

255 REV

Alimentation de la trémie
Einzugkartank

ALIMENTAZIONE SERBATOIO

Tank feed
Alimentacion de la tolva

25.05

1/3 25050172006

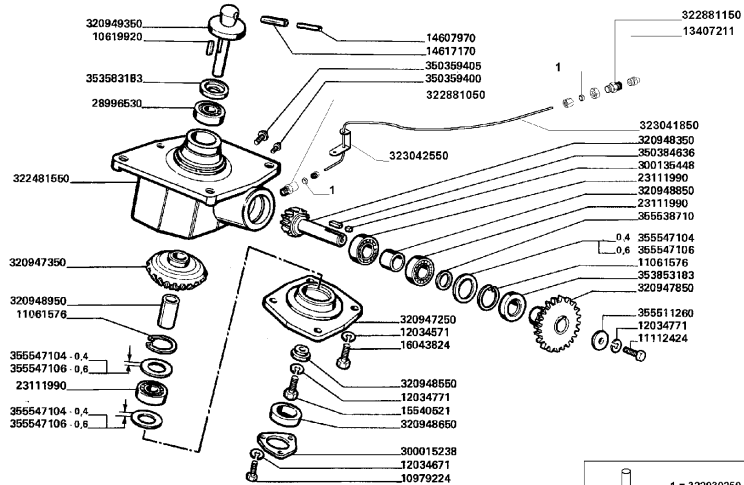
GRAIN TANK AND FAIRINGS

25.0
7_A

LOWER CASE ELEMENTS

MTB "REV" 225 REV (551500115_551500162)

25.07_A



ELEMENTI SCATOLA INFERIORE

25.07/A

255 REV

Elements boîte inférieure
Unter gehäuseselemente

Lower case elements
Elementos inferior caja

1/1

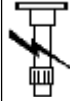
- 10619920
- 10979224
- 11061576
- 12034571
- 12034671
- 12034771
- 13407211
- 14607970
- 14617170
- 15540521
- 16043824
- 23111990
- 28996530
- 300015238
- 300135448
- 320947250
- 320947350
- 320947850
- 320948350
- 320948550
- 320948650
- 320948850
- 320948950
- 320949350
- 322481550
- 322881050
- 322881150
- 323041850
- 320948350
- 350384636
- 300135448
- 23111990
- 320948850
- 23111990
- 355638710
- 0.4 355647104
- 0.6 355647106
- 11061576
- 353853183
- 320947850
- 355611260
- 12034771
- 11112424
- 320948550
- 12034771
- 15540521
- 320948650
- 300015238
- 12034671
- 10979224
- 1 = 322930250
- 1 KEY
- 3 SCREW
- 2 SPRING LOC
- 4 LOCK WASHE
- 3 LOCK WASHE
- 2 LOCK WASHE
- 1 NIPPLE, LU
- 1 PLUG
- 1 PLUG
- 1 SCREW
- 4 SCREW
- 3 BEARING
- 1 BEARING
- 1 FLANGE
- 1 GASKET
- 1 COVER BOX
- 1 PINION
- 1 GEAR
- 1 PINION
- 1 WASHER
- 1 SPACER
- 1 SPACER
- 1 SPACER
- 1 SHAFT
- 1 BOX
- 1 UNION
- 1 UNION
- 1 PIPE
- 1 STIRRUP
- 1 PLUG
- 1 PLUG
- 1 KEY
- 1 GASKET
- 1 WASHER

GRAIN TANK AND FAIRINGS

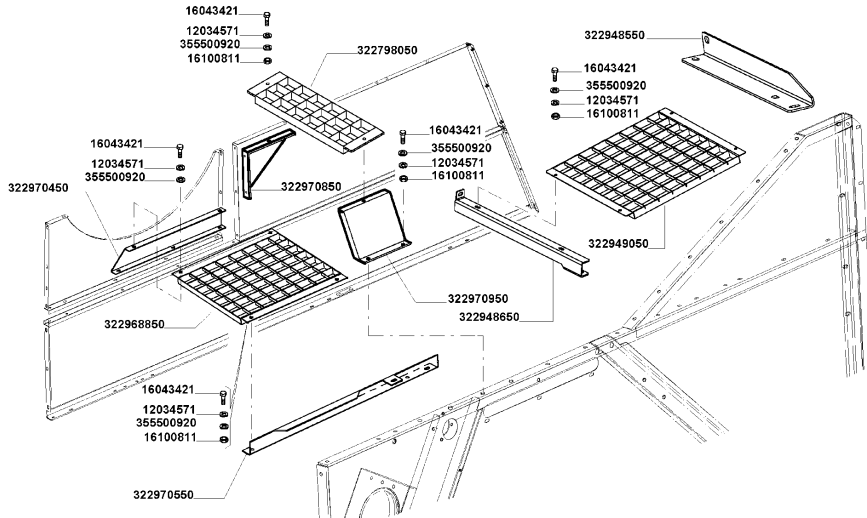
25.2
1_3

BODY, R.H. FOR ENGINE page 3

MTB "REV" 225 REV (551500115_551500162)



25.21_3



- | | | |
|-----------|--------------------|---------------|
| 12034571 | | 10 LOCK WASHE |
| 16043421 | | 10 SCREW |
| 16100811 | | 9 NUT |
| 322948550 | | 1 SUPPORT |
| 322948650 | | 1 SUPPORT |
| 322949050 | ● 003233334500 (1) | 1 FLOOR |
| 322968850 | | 1 FLOOR |
| 322970450 | ● 003229704503 (1) | 1 PROFILE |
| 322970550 | ● 003229705503 (1) | 1 PROFILE |
| 322970850 | | 1 SUPPORT |
| 322970950 | | 1 SUPPORT |
| 355500920 | | 10 WASHER |

255 REV

Carenage droite du moteur
Motorhaube rechts

CARENATURA DESTRA MOTORE

Body, R.H. for engine
carenado derecho del motor

25.21

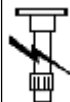
3/4 25210172006

HYDRAULIC SYSTEM

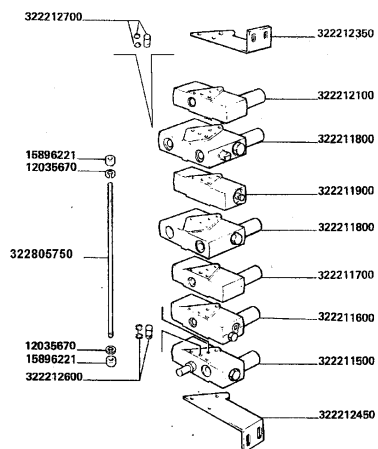
28.0
2_A_1

VALVE-CHEST ELEMENTS page 1

MTB "REV" 225 REV (551500115_551500162)



28.02_A
1



- | | | |
|-----------|--------------------|--------------|
| 12035670 | ● 000120356710 (2) | 2 LOCK WASHE |
| 15896221 | | 2 NUT |
| 322211500 | | 1 SECTION |
| 322211600 | | 1 DISTRIBUTO |
| 322211700 | | 1 KNIFE SECT |
| 322211800 | | 2 ELEMENT |
| 322211900 | | 1 SECTION |
| 322212100 | | 1 KNIFE SECT |
| 322212350 | | 1 STIRRUP |
| 322212450 | | 1 STIRRUP |
| 322212600 | | 7 BUSH |
| 322212700 | | 7 BUSH |
| 322805750 | | 1 TIE ROD |

255 REV

Elements distributeur
Steuergeräteelemente

ELEMENTI DISTRIBUTORE 322734100

Valve-chest elements
Elementos distribuidor

28.02/A

1/2

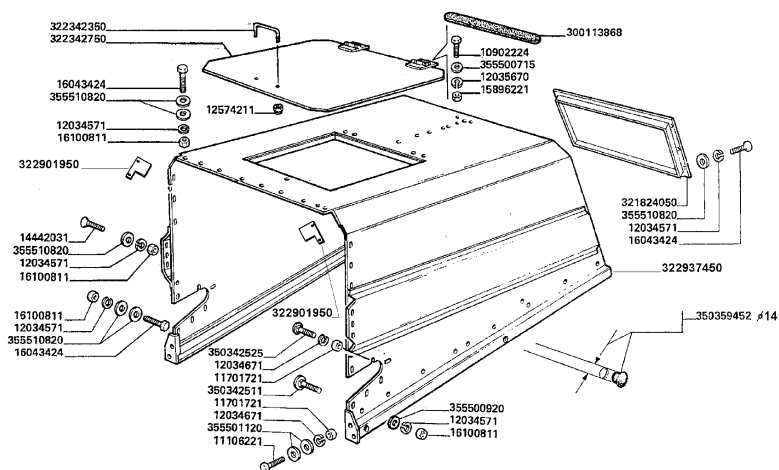
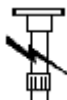
STRAW WALKERS

21.0
2_1

REAR BODY page 1

MTB "REV" 225 REV (551500115_551500162)

21.02_1



- 10902224
- 11106221
- 11701721
- 12034571
- 12034671
- 12035670
- 12574211
- 14442031
- 15896221
- 16043424
- 16100811
- 300113868
- 321824050
- 322342350
- 322342750
- 322901950
- 322937450
- 350342511
- 350342525
- 350359452
- 355500715
- 355500920
- 355501120
- 355510820
- 4 SCREW
- 4 SCREW
- 5 NUT
- 48 LOCK WASHE
- 5 LOCK WASHE
- 4 LOCK WASHE
- 2 NUT
- 6 SCREW
- 4 NUT
- 24 SCREW
- 42 NUT
- 2 NONSKID
- 1 COVER
- 1 HANDLE
- 1 COVER
- 2 PANEL
- 1 COVER
- 18 SCREW
- 1 SCREW
- 1 PLUG
- 4 WASHER
- 18 WASHER
- 8 WASHER
- 48 WASHER

● 000120356710 (4)

255 REV

Carenage arrière
Hintere Karosserie

CARENATURA POSTERIORE

Rear body
Carenado posterior

21.02

1/2 21020172005

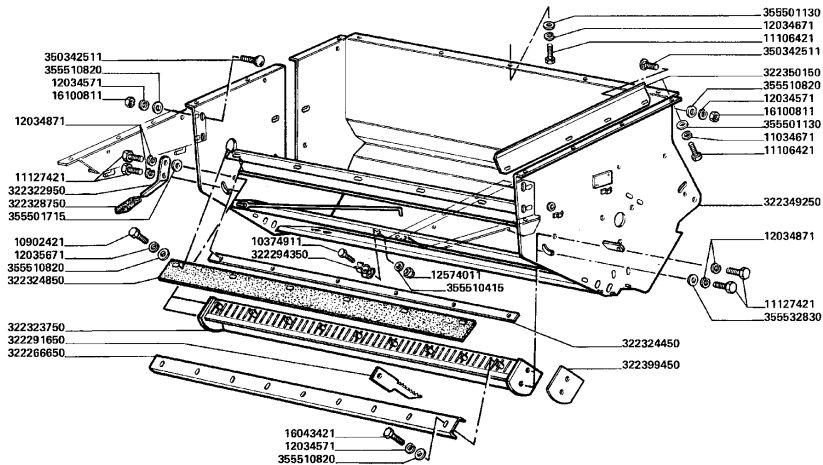
STRAW WALKERS

21.2
4.11_1

STRAW CHOPPER-BODY page1

MTB "REV" 225 REV (551500115_551500162)

21.24.11
1



- 10374911
 - 10902421
 - 11106421
 - 11127421
 - 12034571
 - 12034671
 - 12034871
 - 12035671
 - 12574011
 - 16043421
 - 16100811
 - 322266650
 - 322291650
 - 322294350
 - 322322950
 - 322323750
 - 322324450
 - 322324850
 - 322328750
 - 322349250
 - 322350150
 - 322399450
 - 350342511
 - 355501130
 - 355501715
 - 355510415
 - 355510820
 - 355532830
- 1 SCREW
 - 1 SCREW
 - 5 SCREW
 - 4 SCREW
 - 16 LOCK WASHE
 - 1 LOCK WASHE
 - 4 LOCK WASHE
 - 1 LOCK WASHE
 - 1 NUT
 - 9 SCREW
 - 7 NUT
 - 1 STRAP
 - 1 SHEAR BAR
 - 1 CLAW
 - 1 LEVER LEAD
 - 1 BEAM
 - 1 STRAP
 - 1 CANVAS
 - 1 HANDLE GRI
 - 1 CASE
 - 1 CONVEYOR
 - 1 SHIM
 - 8 SCREW
 - 4 WASHER
 - 1 WASHER
 - 1 WASHER
 - 17 WASHER
 - 1 WASHER

255 REV

Hache paille - Chassis
Strohhaecksler - Rahmen

TRINCIAPAGLIA - CASSA

Straw chopper - Body
Cortador de paja - Bastidor

21.24.11.1

11/17 21240152006

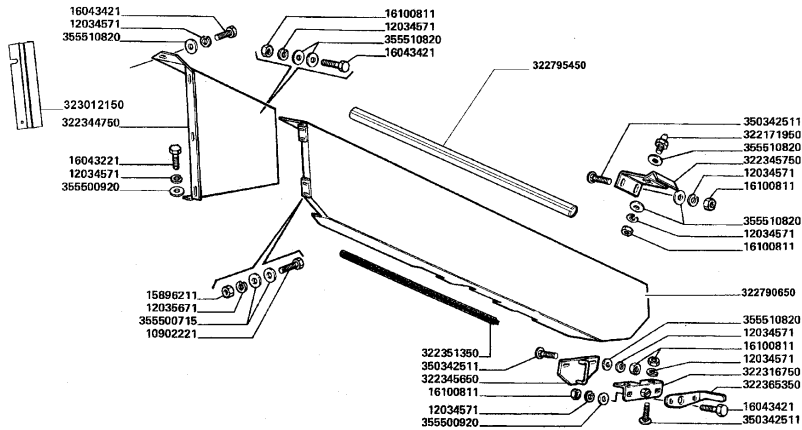
STRAW WALKERS

**21.2
4.5**

STRAW CHOPPER-DRIVE GUARD

MTB "REV" 225 REV (551500115_551500162)

21.24.5



- | | |
|-----------|--------------|
| 10902221 | 1 SCREW |
| 12034571 | 8 LOCK WASHE |
| 12035671 | 1 LOCK WASHE |
| 15896221 | 1 NUT |
| 16043221 | 1 SCREW |
| 16043421 | 3 SCREW |
| 16100811 | 6 NUT |
| 322171950 | 1 PIN |
| 322316750 | 1 LOCK |
| 322344750 | 1 SHIELD |
| 322345650 | 1 STRAP |
| 322345750 | 1 SUPPORT |
| 322351350 | 1 PROFILE |
| 322365350 | 1 LEVER |
| 322790650 | 1 SHIELD |
| 322795450 | 1 PROFILE |
| 350342511 | 3 SCREW |
| 355500715 | 2 WASHER |
| 355500920 | 2 WASHER |
| 355510820 | 7 WASHER |

255 REV

TRINCIAPAGLIA - PROTEZIONE TRASMISSIONE

*Hache-paille - Protection transmission
Strohhaeckler - Antriebschutz*

*Straw chopper - Drive guard
Cortador de paja - Protección transmisión*

21.24.5

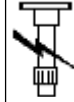
5/17 21240152006

TRACTION

11.0
6_1

POWERED REAR AXLE FOUR WD page 1

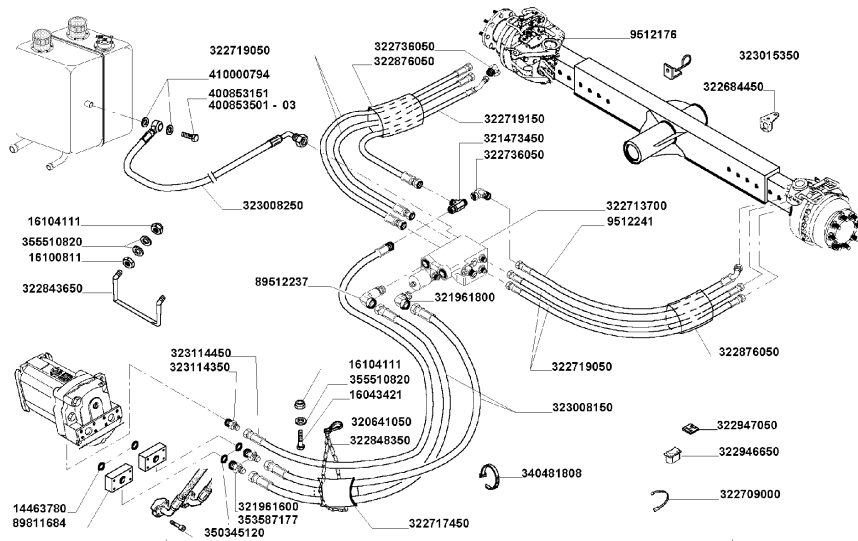
MTB "REV" 225 REV (551500115_551500162)



11.06_1

9512241

1 PIPE



225 REV

Essieu arrière
Hinterachse

TRAZIONE A 4 RUOTE MOTRICI

Powered rear axle four wd
Puenta posterior

11.06

1/5 11060131022

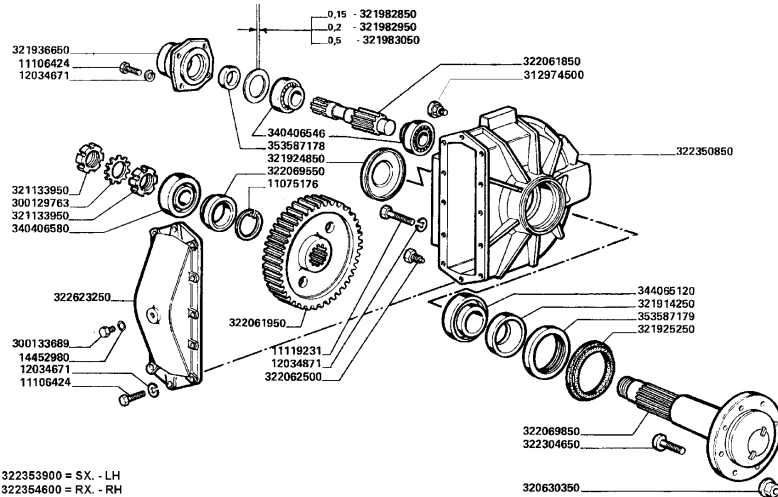
TRACTION

11.1
2_1

REDUCERS

MTB "REV" 225 REV (551500115_551500162)

11.12_1



322353900 = SX. - LH
322354600 = RX. - RH

- 11075176
 - 11106424
 - 11119231
 - 12034671
 - 12034871
 - 14452980
 - 300129763
 - 300133689
 - 320630350
 - 321133950
 - 321914250
 - 321924850
 - 321925250
 - 321936650
 - 321974500
 - 321982850
 - 321982950
 - 321983050
 - 322061850
 - 322061950
 - 322062500
 - 322069550
 - 322069850
 - 322304650
 - 322350850
 - 322353900
 - 322354600
 - 322623250
 - 340406546
 - 340406580
 - 344065120
 - 353587178
- 1 SPRING LOC
 - 2 SCREW
 - 1 SCREW
 - 2 LOCK WASHE
 - 1 LOCK WASHE
 - 1 O-RING
 - 1 WASHER
 - 1 PLUG
 - 1 NUT
 - 2 NUT, RING
 - 1 RING
 - 1 COVER
 - 1 RING
 - 2 FLANGE
 - 1 O - MANCA
 - 1 WASHER
 - 1 WASHER
 - 1 WASHER
 - 1 SHAFT
 - 1 CROWNWHEEL
 - 1 PLUG
 - 1 SPACER
 - 1 AXIS
 - 1 COLUMN
 - 1 BOX
 - 1 GEAR REDUC
 - 1 GEAR REDUC
 - 1 COVER BOX
 - 1 BEARING
 - 1 BEARING
 - 1 BEARING
 - 1 GASKET
- 000144529810 (1)
- CID 2411 (1)

255 REV

Reducteur
Untersaezter

RIDUTTORI

Reducers
Reductores

11.12

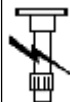
1/1 11120131002

TRACTION

11.1
9_A

PARKING BRAKE ELEMENTS 322362200

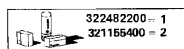
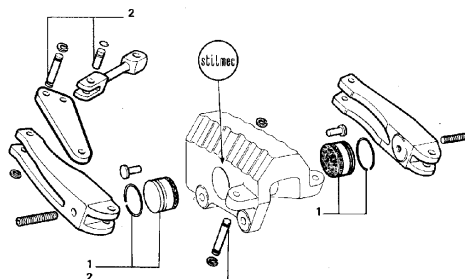
MTB "REV" 225 REV (551500115_551500162)



11.19_A

321155400
322482200

1 SET OF PLU
SET OF PAS



225 REV

ELEMENTI FRENO DI STAZIONAMENTO 322362200
Elements frein de stationnement *Parking brake elements*
Handbremse elemente *Elementos freno de estacionamiento*

11.19/A

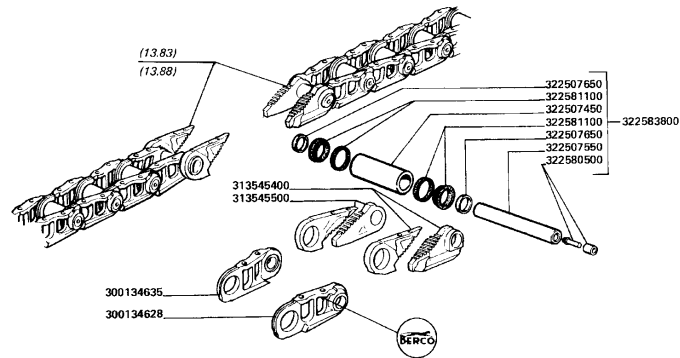
1/1

TRACTION

13.8
3_B

CHAIN ELEMENTS

MTB "REV" 225 REV (551500115_551500162)



AUTOLUBRIFICATA - GRAISSAGE AUTOMATIQUE
SELF-LUBRICATING - SELBST-SCHMIERUNG - AUTOLUBRIFICATING

- | | |
|-----------|--------------|
| 300134628 | 1 TRACK LINK |
| 300134635 | 1 TRACK LINK |
| 313545400 | 2 CONNECTING |
| 313545500 | 2 CONNECTING |
| 322507450 | 2 BUSH |
| 322507550 | 1 PIN |
| 322507650 | 2 SPACER |
| 322580500 | 2 KIT, MISC |
| 322581100 | 4 SET OF RIN |
| 322583800 | 2 KIT, MISC |

255 REV

ELEMENTI CATENARIA (BERCO) 322483000 - 322483200
 Elements chaines
 Kettenelemente
 Chain elements
 Elementos cadenas

13.83/B

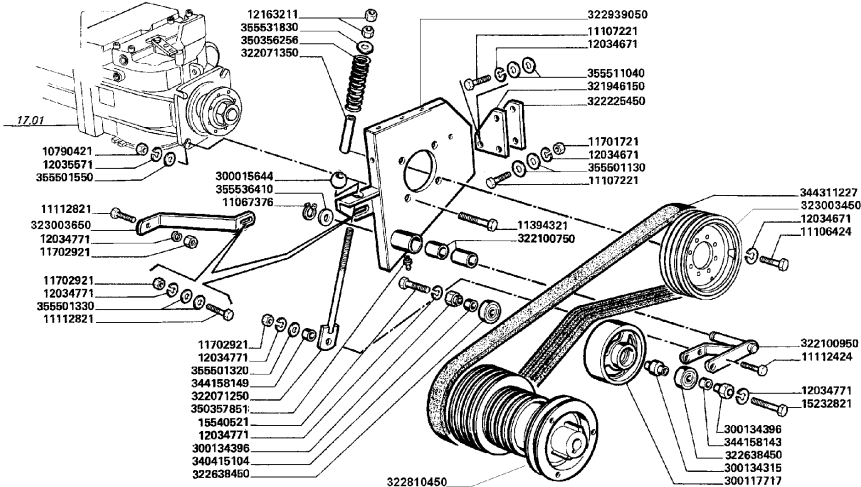
TRACTION

17.0
2_1

PUMP DRIVE page 1

MTB "REV" 225 REV (551500115_551500162)

17.02_1



- 10790421
- 11067376
- 11106424
- 11107221
- 11112424
- 11112821
- 11394321
- 11701721
- 11702921
- 12034671
- 12034771
- 12035571
- 12163211
- 15232821
- 15540521
- 300015644
- 300117717
- 300134315
- 300134396
- 321946150
- 322071250
- 322071350
- 322100750
- 322100950
- 322225450
- 322638450
- 322810450
- 322939050
- 323003450
- 323003650
- 340415104
- 344158143
- 344158149
- 344311227
- 1 NUT
- 1 SPRING LOC
- 1 SCREW
- 2 SCREW
- 1 SCREW
- 2 SCREW
- 1 SCREW
- 1 NUT
- 3 NUT
- 3 LOCK WASHE
- 5 LOCK WASHE
- 1 LOCK WASHE
- 2 NUT
- 1 SCREW
- 1 SCREW
- 1 TRACK ROD
- 1 GEAR
- 1 PIN
- 2 BUSH
- 1 SHIM
- 1 TIE-ROD
- 1 BUSH
- 2 BEARING
- 1 YOKE
- 1 SHIM
- 2 BEARING
- 1 PULLEY
- 1 SUPPORT
- 1 PULLEY
- 1 STRUT
- 1 BUSH
- 1 BUSH
- 1 BUSH
- 1 BELT

225 REV

Transmission de la pompe
Pumpenantrieb

TRASMISSIONE POMPA

Pump drive
Trasmission de la bomba

17.02

1/1 17020172005

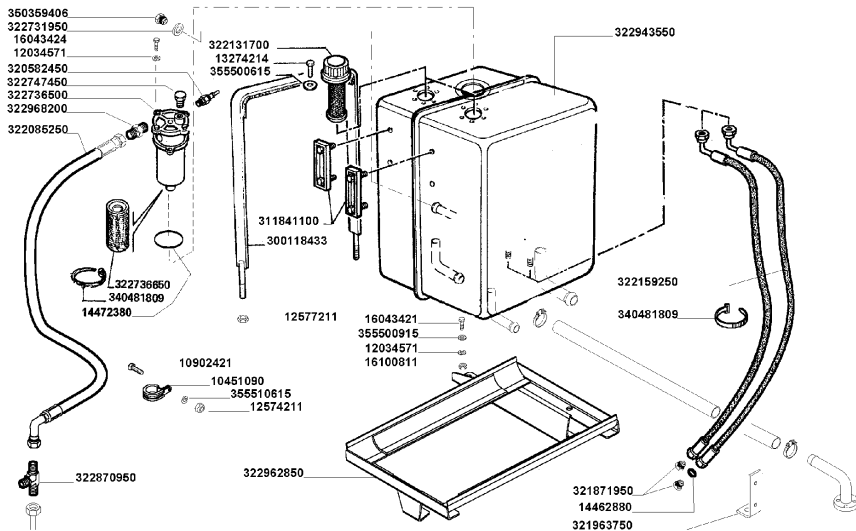
TRACTION

17.0
6_1

OIL TANK page 1

MTB "REV" 225 REV (551500115_551500162)

17.06_1



225 REV

Reservoir d'huile
Oil tank

SERBATOIO OLIO E INNESTI ELETTRIDRAULICI

Oil tank
Deposito de aceite

17.06

1/3 17060172005

- 0001446288
- 00
- 10451090
- 10902421
- 12034571
- 12574211
- 12577211
- 13274214
- 14462880
- 14472380
- 16043421
- 16043424
- 16100811
- 300118433
- 311841100
- 320582450
- 321871950
- 321963750
- 322085250
- 322131700
- 322159250
- 322731950
- 322736500
- 322736650
- 322747450
- 322870950
- 322943550
- 322962850
- 322968200
- 340481809
- 350359406
- 355500615
- 355500915
- 355510615

TOROIDAL SEAL

- 1 BRACKET
- 1 SCREW
- 5 LOCK WASHE
- 1 NUT
- 1 NUT
- 1 SCREW
- O-RING
- 1 O-RING
- 1 SCREW
- 4 SCREW
- 1 NUT
- 1 COLLAR
- 2 INDICATOR
- 1 PRESSURE S
- 1 PLUG
- 1 BRIDLE
- 1 PIPE
- 1 PLUG
- 2 PIPE
- 1 WASHER
- 1 FILTER
- 1 ELEMENT,FI
- 1 PLUG
- 1 UNION
- 2 OIL TANK
- 1 SUPPORT
- 1 UNION
- 2 CLAMP
- 1 PLUG
- 1 WASHER
- 1 WASHER
- 1 WASHER

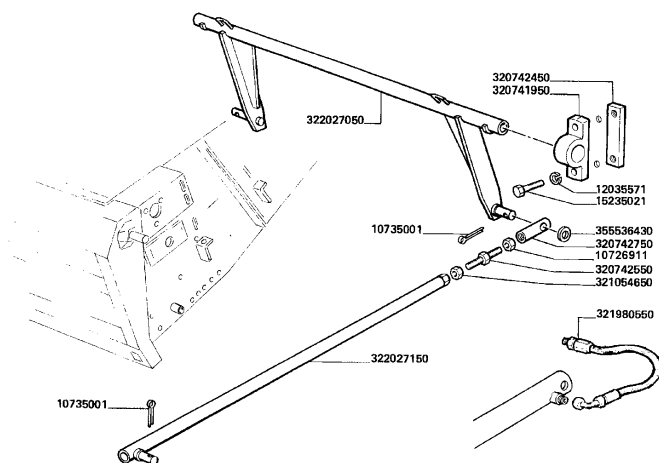
VARIATIONS

100
- 497

FRONT ELEVATOR SUPPORT KIT

MTB "REV" 225 REV (551500115_551500162)

100497



- | | |
|-----------|--------------|
| 10726911 | 1 NUT |
| 10735001 | 2 LINCH PIN |
| 12035571 | 2 LOCK WASHE |
| 15235021 | 2 SCREW |
| 320741950 | 1 SUPPORT |
| 320742450 | 1 PLATE |
| 320742550 | 1 PIN |
| 320742750 | 1 STRUT ELEM |
| 321054650 | 1 NUT |
| 321980550 | 1 HOSE |
| 322027050 | 1 COUNTER WE |
| 322027150 | 1 STRUT |
| 355536430 | 1 WASHER |

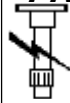
225 REV

IRRIGIDIMENTO ELEVATORE ANTERIORE
Raidisseur pour élévateur avant
Vorderelevator verstaerking
Front elevator support kit
Refuerzo por elevador anterior

497

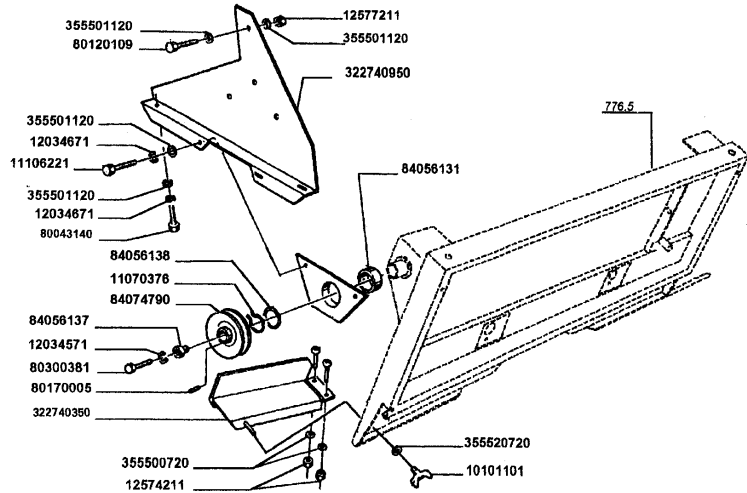
1/1 19160131002

VARIATIONS

100
-
776.2_2
 100776.2
2

CHAFF SPREADER - SUPPORTS L.

MTB "REV" 225 REV (551500115_551500162)



- | | | | |
|-----------|--------------------|---|------------|
| 10101101 | | 1 | NUT |
| 11070376 | | 1 | SPRING LOC |
| 11106221 | | 1 | SCREW |
| 12034571 | | 1 | LOCK WASHE |
| 12034671 | | 1 | LOCK WASHE |
| 12574211 | | 2 | NUT |
| 12577211 | | 1 | NUT |
| 322740350 | | 1 | SHUNTER |
| 322740950 | | 1 | SUPPORT |
| 355500720 | ● 003555007150 (2) | 2 | WASHER |
| 355501120 | | 3 | WASHER |
| 355520720 | | 1 | WASHER |
| 80043140 | ● 000111064210 (1) | 1 | SCREW |
| 80170005 | | 1 | KEY |
| 80300381 | | 1 | SCREW |
| 84056131 | | 1 | BUSH |
| 84056137 | | 1 | BUSH |
| 84056138 | | 1 | O-RING |
| 84074790 | | 1 | PULLEY |

225 REV

Epandeur de balie - Supports
Spreuverteiler - Halterungs

SPARGIPULA - SUPPORTI S.

Chaff spreader - Supports
Espaciador de tamo - Soportes

776.2

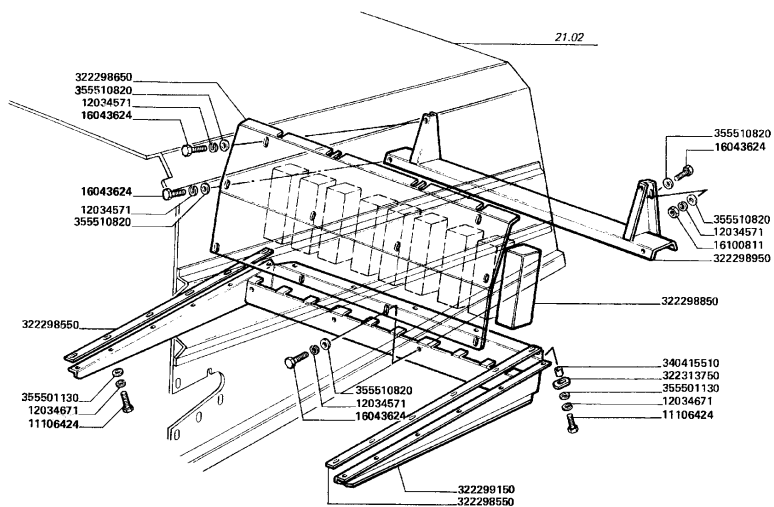
2/2 7117765510

VARIATIONS

100
- 883_1

BALLST WEIGHT ON REAR BODY page 1

MTB "REV" 225 REV (551500115_551500162)



- 11106424
- 12034571
- 12034671
- 16043624
- 16100811
- 322298550
- 322298650
- 322298850
- 322298950
- 322299150
- 322313750
- 340415510
- 355501130
- 355510820
- 10 SCREW
- 13 LOCK WASHE
- 10 LOCK WASHE
- 11 SCREW
- 2 NUT
- 2 SHIM
- 1 PANEL
- 1 WIGHT
- 1 FIXING CLI
- 1 FRAME
- 10 PLATE
- 10 BUSH
- 10 WASHER
- 14 WASHER

225 REV

Masses sur carenagè arrières
Ballastgewichte am hintere Karosserie

ZAVORRE SU CUFFIA POSTERIORE

Ballst weight on rear body
Lastres sobre carenado posterior

883

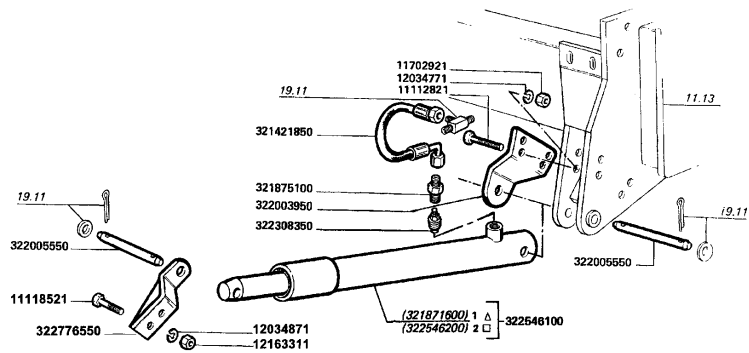
1/2 11350131000

VARIATIONS

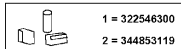
100
- 962_1

CUTTER BAR LIFTING ADDITIONAL RAM

MTB "REV" 225 REV (551500115_551500162)



△ = MITA
□ = PANNI



225 REV

MARTINETTO SUPPLEMENTARE SOLLEVAMENTO BARRA

Verin supplementaire relevage barre de coupe
Messebalkenaushubung zusatzhubzylinder
Cutter bar lifting additional ram
Martinete suplemental levantamiento barra de corte

962

1/2 28120131000

- 11112821
- 11118521
- 11702921
- 12034771
- 12034871
- 12163311
- 321421850
- 321871600
- 321875100
- 322003950
- 322005550
- 322308350
- 322546100
- 322776550
- 4 SCREW
- 2 SCREW
- 4 NUT
- 4 LOCK WASHE
- 2 LOCK WASHE
- 2 NUT
- 1 HOSE
- 1 JACK
- 1 UNION
- 1 PLATE
- 2 DOWEL
- 1 VALVE
- 1 JACK
- 1 HITCH

CLICK HERE TO **DOWNLOAD** THE COMPLETE MANUAL

- Thank you very much for reading the preview of the manual.
- You can download the complete manual from: www.heydownloads.com by clicking the link below



- Please note: If there is no response to CLICKING the link, please download this PDF first and then click on it.

CLICK HERE TO **DOWNLOAD** THE COMPLETE MANUAL