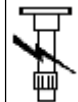


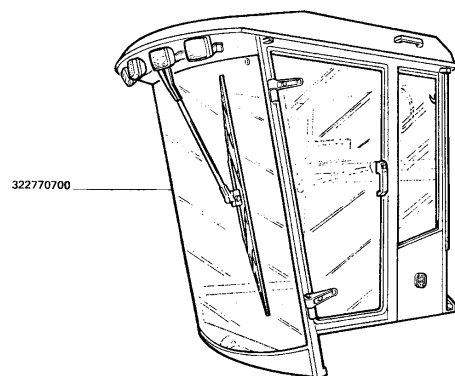
Drive's platform



MTB "MCS - LX - 2050 mcs
LXE - LS"

CAB - CLIMATIZED CAB

322277000 ● 003227707000 (1) 1 CAB



1950-2050

01 02

*Cabine - Cabine climatizate
Kabine - Mit Klimanlage*

CABINA - CABINA CONDIZIONATA

*Cab - Climatized cab
Cabina - Con Acondicionado*

27.13.1

27130172001

CLICK HERE TO **DOWNLOAD** THE COMPLETE MANUAL

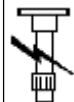
- Thank you very much for reading the preview of the manual.
- You can download the complete manual from: www.heydownloads.com by clicking the link below



- Please note: If there is no response to CLICKING the link, please download this PDF first and then click on it.

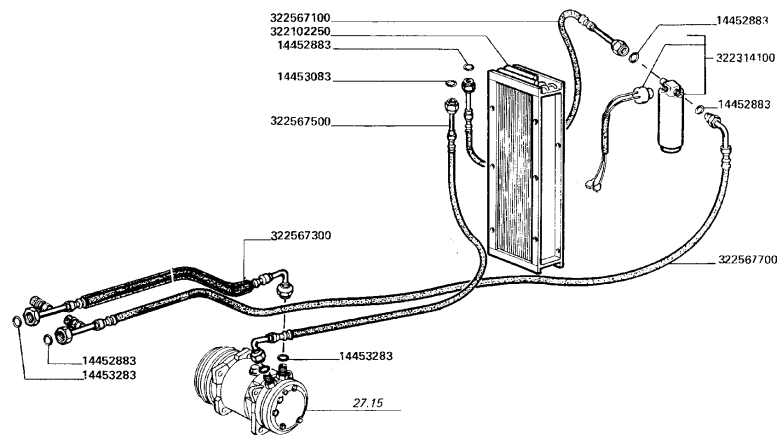
CLICK HERE TO **DOWNLOAD** THE COMPLETE MANUAL

Drive's platform



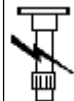
MTB "MCS - LX - 2050 mcs
LXE - LS"

CAB - AIR CONDITIONED (FREON "HFC 134 A")



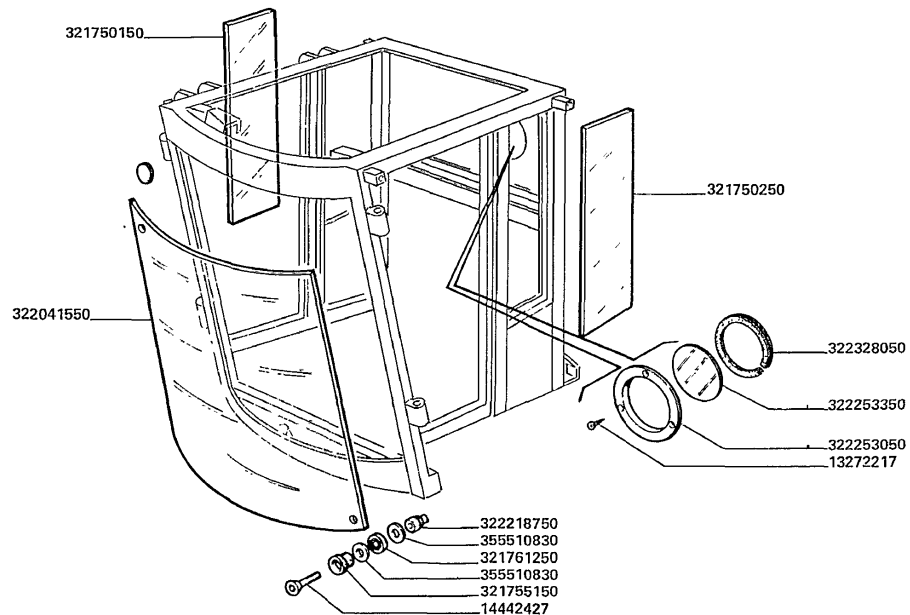
- | | |
|-----------|-------------|
| 14452883 | 6 O-RING |
| 14453083 | 1 O-RING |
| 14453283 | 5 O-RING |
| 322102250 | 1 CONDENSER |
| 322314100 | 1 FILTER |
| 322567100 | 1 HOSE |
| 322567300 | 1 HOSE |
| 322567500 | 1 HOSE |
| 322567700 | 1 HOSE |

Drive's platform



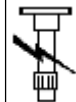
MTB "MCS - LX - 2050 mcs
LXE - LS"

CAB - GLASSES



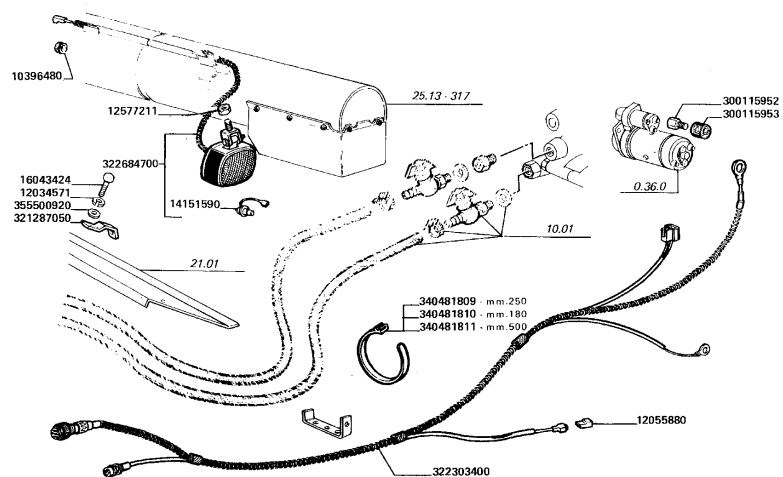
- | | | |
|-----------|---|------------|
| 13272217 | 3 | SCREW |
| 14442427 | 2 | SCREW |
| 321750150 | 1 | GLASS ASSY |
| 321750250 | 1 | GLASS ASSY |
| 321755150 | 2 | BUSH |
| 321761250 | 2 | GASKET |
| 322041550 | 1 | GLASS ASSY |
| 322218750 | 2 | NUT |
| 322253050 | 1 | RING |
| 322253350 | 1 | PLUG |
| 322328050 | 1 | GASKET |
| 355510830 | 4 | WASHER |

Drive's platform



MTB "MCS - LX - 2050 mcs
LXE - LS"

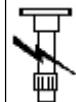
CAB INSTALLATION page3



10396480
12034571
12055880
12577211
14151590
16043424
300115952
300115953
321287050
322303400
322684700
340481809
340481810
340481811
355500920

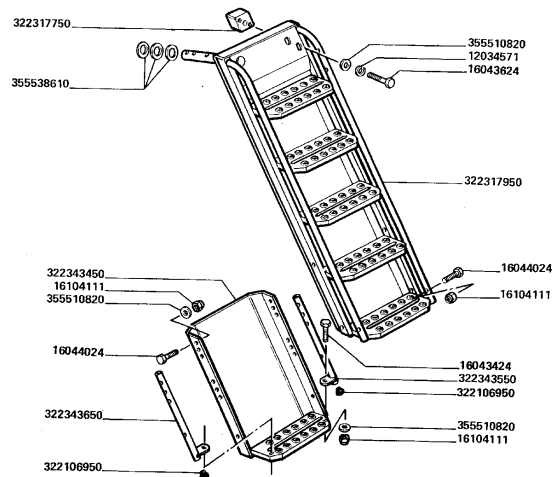
1 RING
22 LOCK WASHE
1 BLOCK
1 NUT
1 LAMPADA
10 SCREW
1 UNION
1 SHIELD
1 BRACKET, S
1 WIRE/CABLE
1 LIGHT
15 CLAMP
10 CLAMP
3 CLAMP
3 WASHER

Drive's platform



MTB "MCS - LX - 2050 mcs
LXE - LS"

PLATFORM LADDER

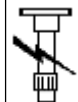


12034571
16043424
16043624
16044024
16104111
322106950
322317750
322317950
322343450
322343550
322343650
355510820
355538610

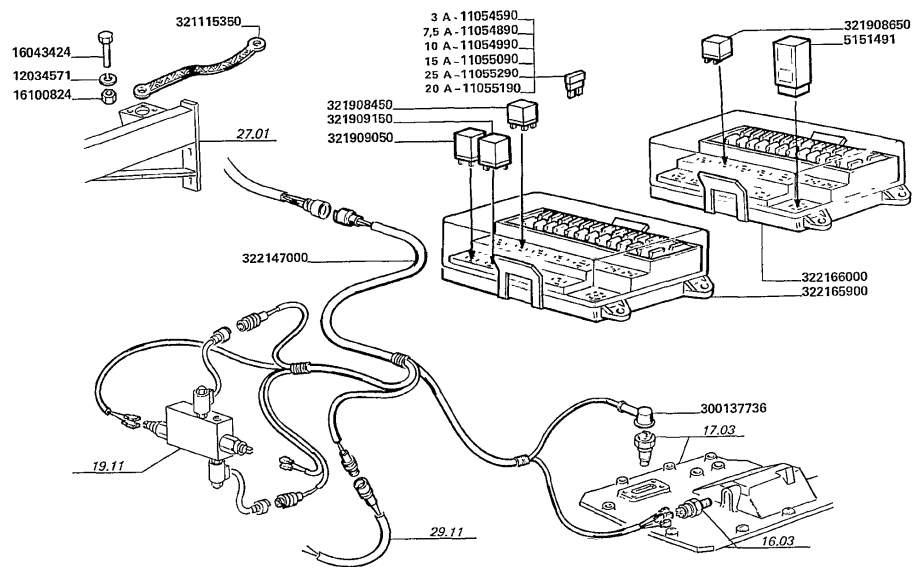
8 LOCK WASHE
2 SCREW
2 SCREW
4 SCREW
8 NUT
2 PLUG
1 BLOCK
1 LADDER
1 EXTENSION
1 SHIELD
1 SHIELD
14 WASHER
3 WASHER

Eletric system

CONTROL CIRCUITS page3

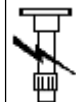


MTB "MCS - LX - 2050 mcs
LXE - LS"



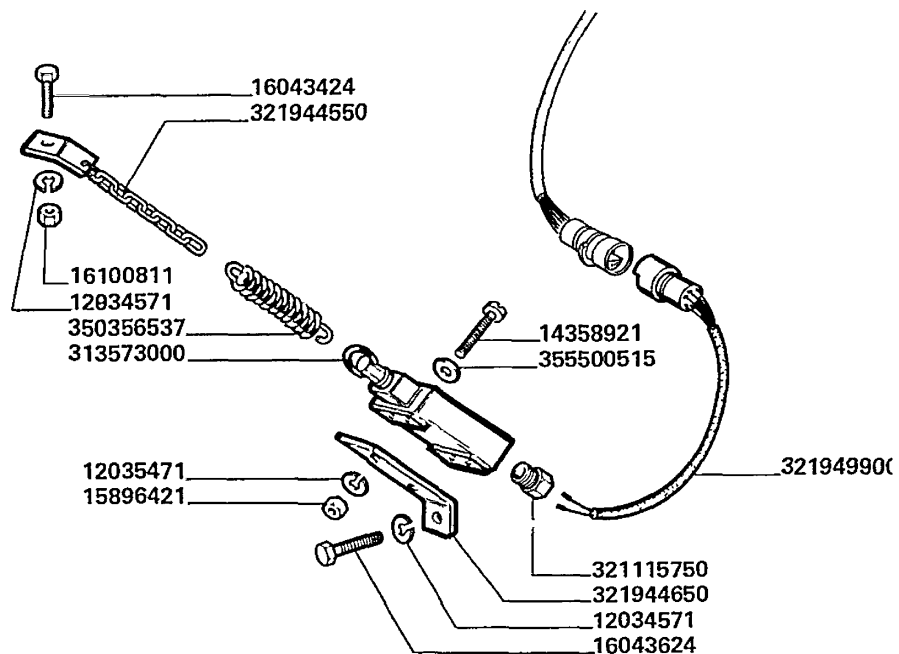
- | | |
|-----------|--------------|
| 11054590 | 1 FUSE |
| 11054890 | 1 FUSE |
| 11054990 | 1 FUSE |
| 11055090 | 1 FUSE |
| 11055190 | 1 FUSE |
| 11055290 | 1 FUSE |
| 12034571 | 9 LOCK WASHE |
| 16043424 | 1 SCREW |
| 16100824 | 9 NUT |
| 300137736 | 1 PROTECTION |
| 321115350 | 2 EARTH WIRE |
| 321908450 | 9 SWITCH, RE |
| 321908650 | 1 CONTAINER |
| 321909050 | 1 WARNING DE |
| 321909150 | 1 WARNING DE |
| 322147000 | 1 WIRE/CABLE |
| 322165900 | 1 BOX |
| 322166000 | 1 BOX |
| 5151491 | 1 FLASHER,12 |

Eletric system



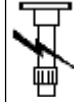
MTB "MCS - LX - 2050 mcs
LXE - LS"

DIGITAL INSTRUMENTATION page2



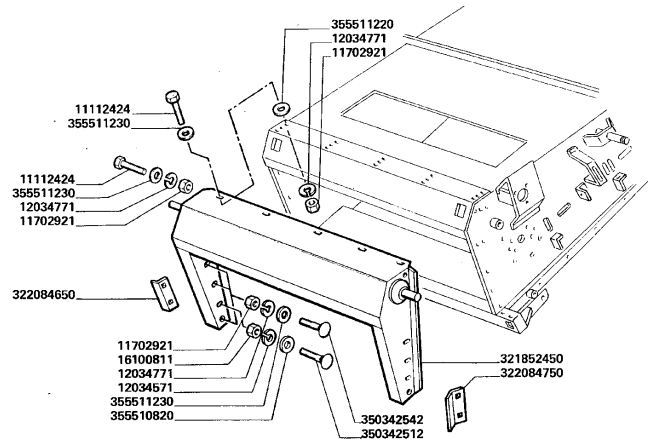
- | | | |
|-----------|--------------------|--------------|
| 12034571 | | 3 LOCK WASHE |
| 12035471 | | 2 LOCK WASHE |
| 14358921 | | 2 SCREW |
| 15896421 | ● 000158964110 (2) | 2 NUT |
| 16043424 | | 1 SCREW |
| 16043624 | | 1 SCREW |
| 16100811 | | 2 NUT |
| 313573000 | | 1 SWITCH |
| 321115750 | ● 003219104000 (1) | 1 CABLE CLIP |
| 321944550 | | 1 CHAIN |
| 321944650 | | 1 SUPPORT |
| 321949900 | | 1 WIRE/CABLE |
| 350356537 | | 1 SPRING |
| 355500515 | | 2 WASHER |

Elevator



MTB "MCS - LX - 2050 mcs
LXE - LS"

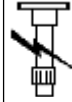
FRONT ELEVATOR page2



- | | |
|-----------|---------------|
| 11112424 | 7 SCREW |
| 11702921 | 21 NUT |
| 12034571 | 8 LOCK WASHE |
| 12034771 | 21 LOCK WASHE |
| 16100811 | 5 NUT |
| 321852450 | 1 BEAM |
| 322084650 | 1 PROFILE |
| 322084750 | 1 PROFILE |
| 350342512 | 4 SCREW |
| 350342542 | 6 SCREW |
| 355510820 | 63 WASHER |
| 355511220 | 10 WASHER |
| 355511230 | 10 WASHER |

Elevator

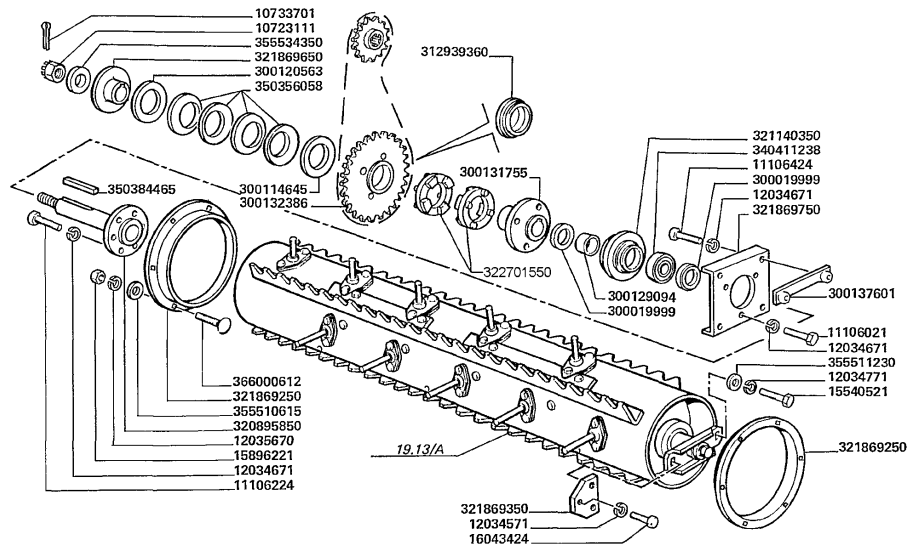
FEEDER ROLLER page2



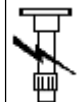
MTB "MCS - LX - 2050 mcs
LXE - LS"

366000612

12 SCREW



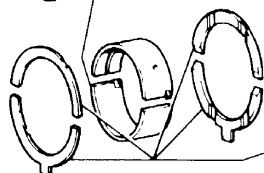
Engine



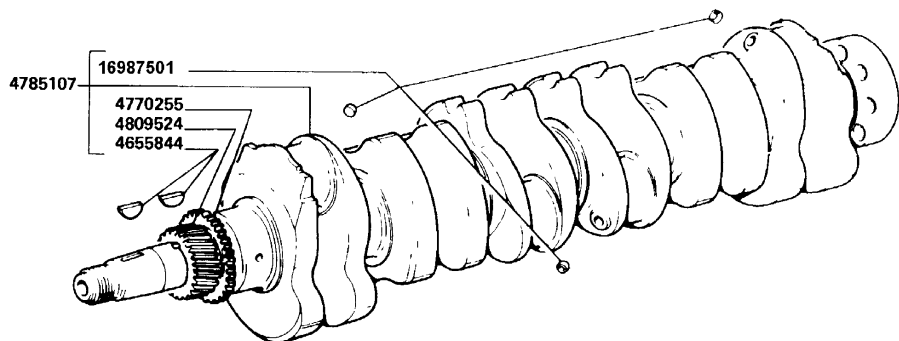
MTB "MCS - LX - 2050 mcs
LXE - LS"

CRANKSHAFT

1930812 - 0,000
1930813 - 0,254
1930814 - 0,508

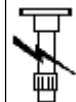


+ 0,000 1901385
+ 0,127 1901386
+ 0,254 1901387
+ 0,508 1901388



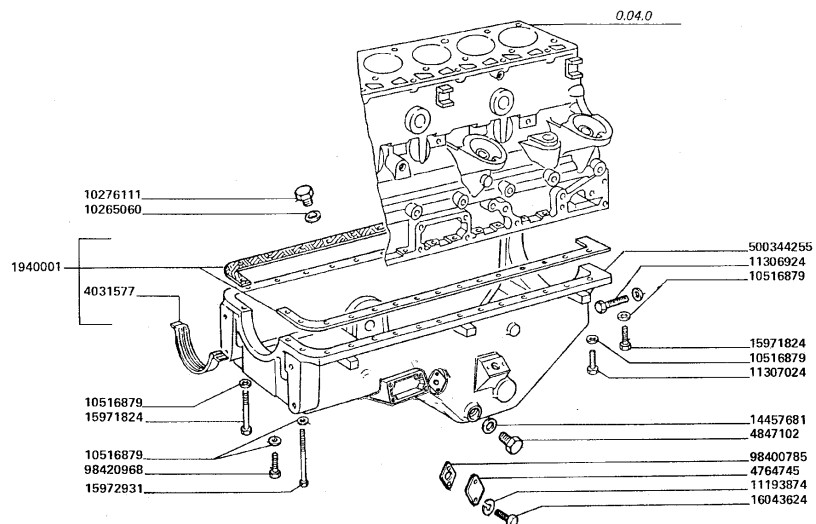
- | | |
|----------|--------------|
| 16987501 | 6 PLUG |
| 1901385 | 1 SET THRUST |
| 1901386 | 1 SET THRUST |
| 1901387 | 1 SET THRUST |
| 1901388 | 1 SET THRUST |
| 1930812 | 7 SET OF MAI |
| 1930814 | 7 SET OF MAI |
| 4655844 | 2 KEY |
| 4770255 | 1 GEAR |
| 4783226 | 7 BUSH |
| 4785107 | 1 CRANK SHAF |
| 4809524 | 1 GEAR |

Engine



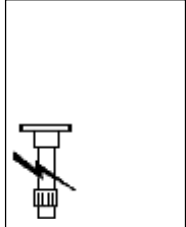
MTB "MCS - LX - 2050 mcs
LXE - LS"

OIL SUMP



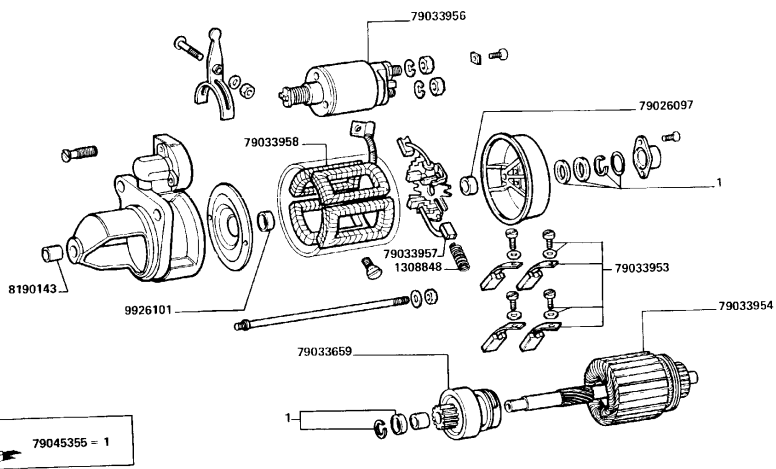
- | | | |
|-----------|-----------------|---------------|
| 10265060 | | 1 GASKET |
| 10276111 | ● 169936110 (1) | 1 PLUG |
| 10516879 | | 35 LOCK WASHE |
| 11193874 | | 2 LOCK WASHE |
| 11306924 | | 6 SCREW |
| 11307024 | | 22 SCREW |
| 14457681 | | 2 O-RING |
| 15971824 | | 4 SCREW |
| 15972221 | | 1 SCREW |
| 16043624 | | 2 SCREW |
| 1940001 | | 1 KIT SEALS |
| 4031577 | | 1 GASKET |
| 4764745 | | 1 COVER |
| 4847102 | | 2 PLUG |
| 500344255 | | 1 OIL CUP |
| 98400785 | | 1 GASKET |
| 98420968 | | 2 SCREW |

Engine



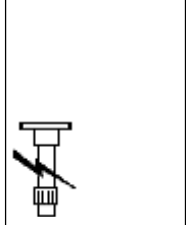
MTB "MCS - LX - 2050 mcs
LXE - LS"

STARTER 4755109 (BOSCH)



- 1308848 ● 000818660530 (4) 4 SPRING
- 79026097 1 BUSH
- 79033659 1 COUPLER
- 79033953 1 KIT, MISC
- 79033954 ● 000099667390 (1) 1 REPLACE
- 79033956 1 ELECTROMAG
- 79033957 ● 000099666240 (1) 1 REPLACE
- 79033958 1 WIND
- 79045355 1 KIT, MISC
- 8190143 ● 000818660600 (1) 1 BUSH
- 9926101 1 BUSH

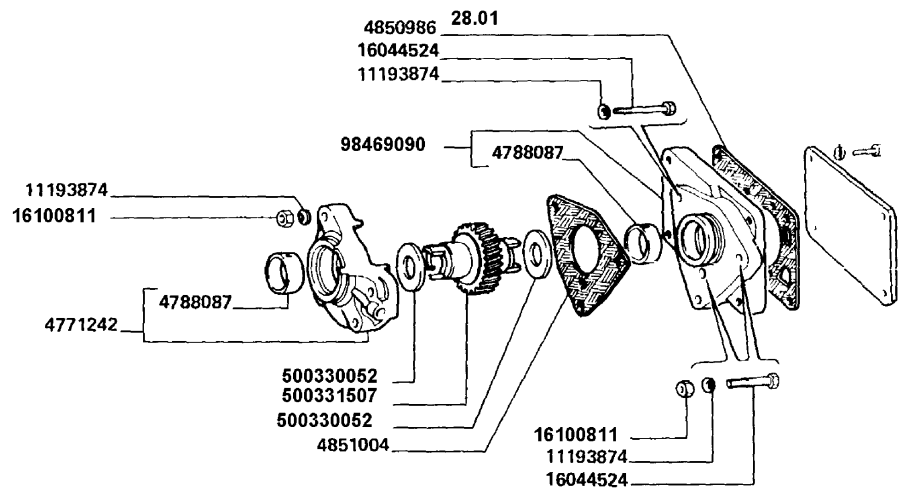
Engine



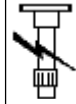
CASING AND COVERS-BELT PULLEY DRIVE

MTB "MCS - LX - 2050 mcs
LXE - LS"

- 11193874
- 16044524
- 16100821
- 4771242
- 4788087
- 4851004
- 500330052
- 500331507
- 98469090
- 6 LOCK WASHE
- 2 SCREW
- 4 NUT
- 1 SUPPORT
- 2 BUSH
- 1 GASKET
- 2 RETAINING
- 1 SHAFT
- 1 SUPPORT

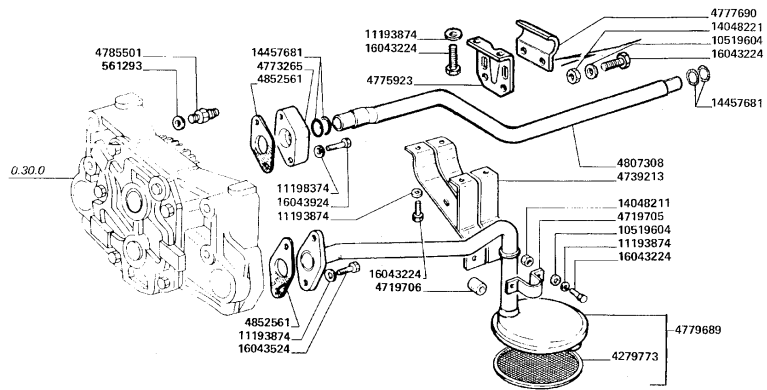


Engine



MTB "MCS - LX - 2050 mcs
LXE - LS"

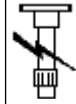
OIL LINES



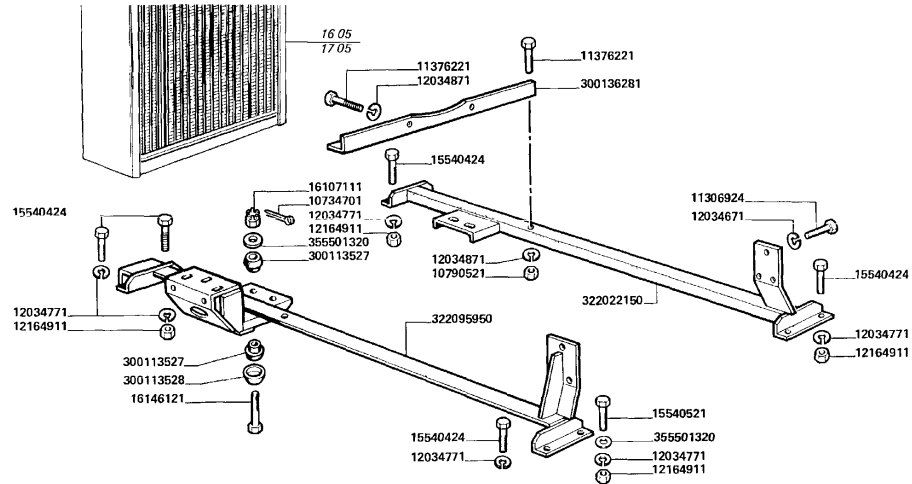
- | | |
|----------|--------------|
| 10519604 | 4 LOCK WASHE |
| 11193874 | 8 LOCK WASHE |
| 11198374 | 2 LOCK WASHE |
| 14048221 | 4 NUT |
| 14457681 | 4 O-RING |
| 16043224 | 8 SCREW |
| 16043524 | 2 SCREW |
| 16043924 | 2 SCREW |
| 4719705 | 1 BRACKET |
| 4719706 | 1 SLEEVE |
| 4739213 | 1 STIRRUP |
| 4773265 | 2 UNION |
| 4775923 | 1 STIRRUP |
| 4777690 | 1 COLLAR |
| 4779689 | 1 STANDPIPE |
| 4785501 | 1 UNION |
| 4807308 | 1 STANDPIPE |
| 4852561 | 3 GASKET |
| 561293 | 1 RING |

ENGINE INSTALLATION

ENGINE INSTALLATION page2

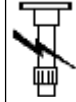


MTB "MCS - LX - 2050 mcs
LXE - LS"



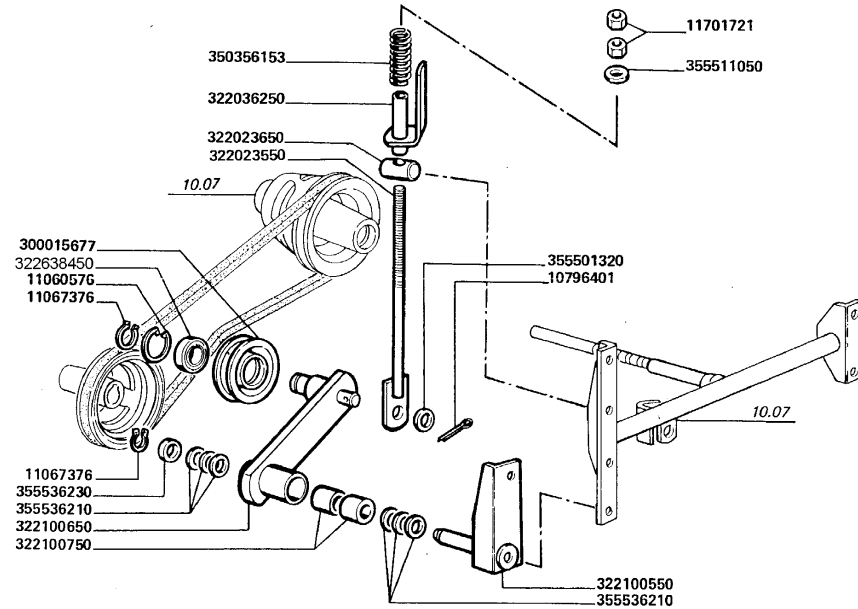
- 10734701
- 10790521
- 11306924
- 11376221
- 12034671
- 12034771
- 12034871
- 12164911
- 15540424
- 15540521
- 16107111
- 16146121
- 300113527
- 300113528
- 300136281
- 322022150
- 322095950
- 355501320
- 4 LINCH PIN
- 2 NUT
- 6 SCREW
- 4 SCREW
- 6 LOCK WASHE
- 10 LOCK WASHE
- 4 LOCK WASHE
- 6 NUT
- 7 SCREW
- 1 SCREW
- 4 NUT
- 4 SCREW
- 8 SHOCK ABSO
- 4 COVER
- 1 SUPPORT
- 1 SUPPORT
- 1 SUPPORT
- 4 WASHER

ENGINE INSTALLATION



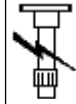
MTB "MCS - LX - 2050 mcs
LXE - LS"

FILTER TRANSMISSION RADIATOR page2



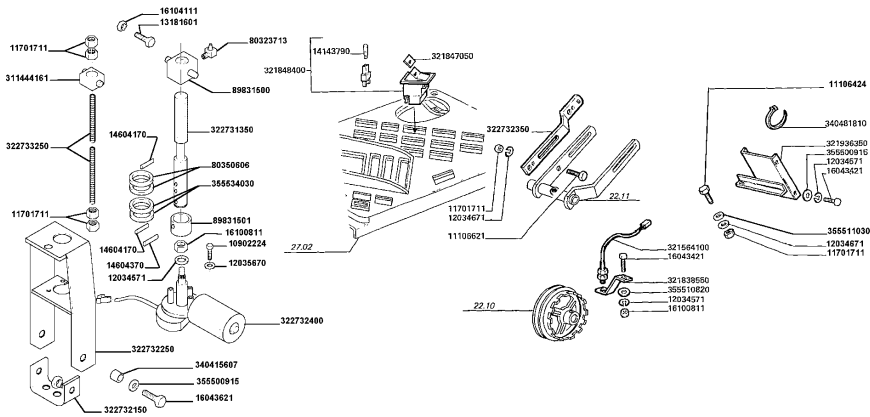
- | | |
|-----------|--------------|
| 10796401 | 2 LINCH PIN |
| 11060576 | 3 SPRING LOC |
| 11067376 | 4 SPRING LOC |
| 11701721 | 2 NUT |
| 300015677 | 1 GEAR |
| 322023550 | 1 TIE-ROD |
| 322023650 | 1 BALL JOINT |
| 322036250 | 1 SPACER |
| 322100550 | 1 ANCHOR |
| 322100650 | 1 SUPPORT |
| 322100750 | 2 BEARING |
| 322638450 | 3 BEARING |
| 350356153 | 1 SPRING |
| 355511050 | 1 WASHER |
| 355536210 | 6 WASHER |
| 355536230 | 1 WASHER |

Guard



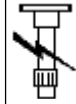
MTB "MCS - LX - 2050 mcs
LXE - LS"

FAN SPEED VARIATOR ELECTRIC DIGITAL CONTROL



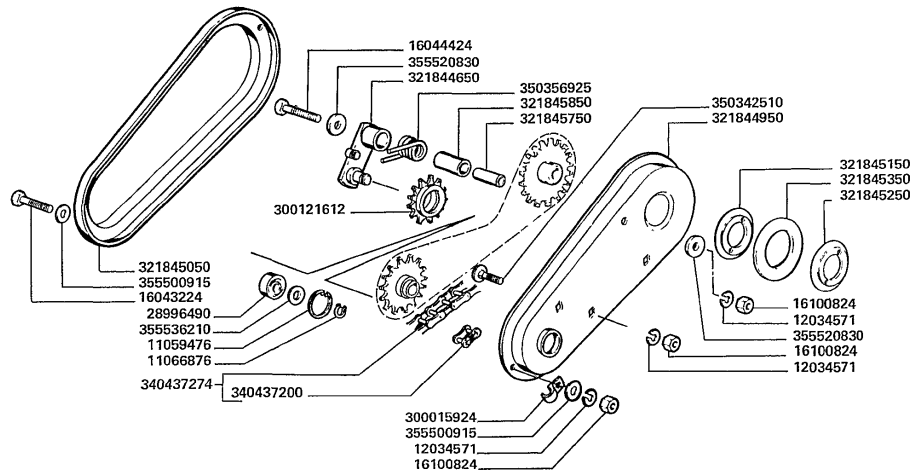
- 10902224
 - 11106424
 - 11106621
 - 11701711
 - 12034571
 - 12034671
 - 12035670
 - 13181601
 - 14143790
 - 14604170
 - 14604370
 - 16043421
 - 16100811
 - 16104111
 - 311444161
 - 321564100
 - 321838550
 - 321847050
 - 321848400
 - 321936350
 - 322731350
 - 322732150
 - 322732250
 - 322732350
 - 322732400
 - 322733250
 - 323713
 - 340415607
 - 340481810
 - 350606
 - 355500915
 - 355510820
- 3 SCREW
 - 1 SCREW
 - 1 SCREW
 - 8 NUT
 - 0 LOCK WASHE
 - 2 LOCK WASHE
 - 1 LOCK WASHE
 - 1 SCREW
 - 1 LAMPADA
 - 2 PLUG
 - 1 PLUG
 - 5 SCREW
 - 0 NUT
 - 3 NUT
 - 1 BALL JOINT
 - 1 SENSOR
 - 1 SUPPORT
 - 1 PLATE
 - 1 BUTTON
 - 1 SUPPORT
 - 1 PIN
 - 1 SUPPORT
 - 1 SUPPORT
 - 2 BASE PLATE
 - 1 ELECTRIC M
 - 1 ROD
 - 1 NIPPLE, LU
 - 2 BUSH
 - 20 CLAMP
 - 2 WASHER
 - 6 WASHER
 - 1 WASHER
- 000120356710 (1)
 - 003227683500 (1)

Guard



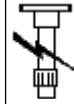
MTB "MCS - LX - 2050 mcs
LXE - LS"

GRAIN ELEVATOR (NORMAL)



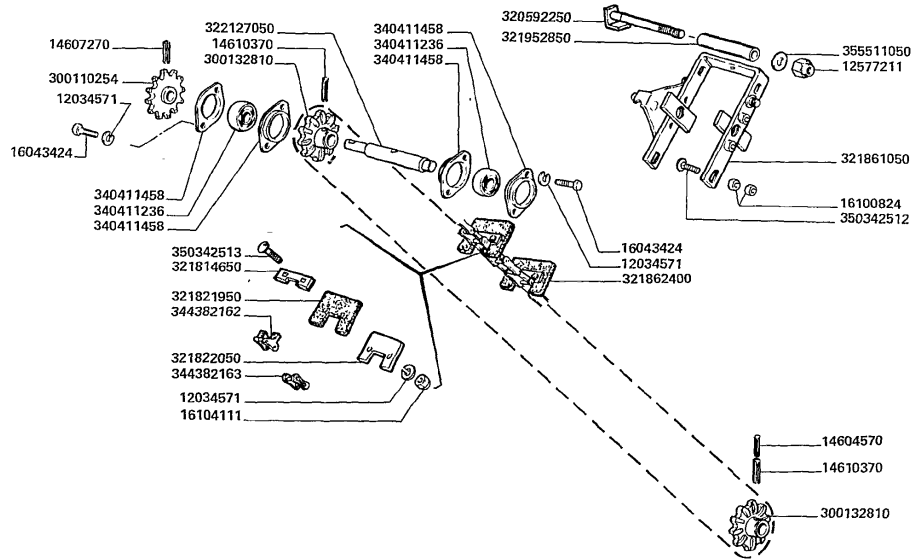
- | | | | |
|-----------|--------------------|----|------------|
| 11059476 | | 1 | SPRING LOC |
| 11066876 | | 1 | SPRING LOC |
| 12034571 | | 99 | LOCK WASHE |
| 16043224 | | 6 | SCREW |
| 16044421 | | 1 | SCREW |
| 16100824 | | 29 | NUT |
| 28996490 | | 1 | BEARING |
| 300015924 | | 1 | CLAW |
| 300121612 | ● 003232915500 (1) | 1 | CHAIN ADJU |
| 321844650 | | 1 | ARM |
| 321844950 | | 1 | SHIELD |
| 321845050 | | 1 | SHIELD |
| 321845150 | | 1 | DISC |
| 321845250 | | 1 | DISC |
| 321845350 | | 1 | GASKET |
| 321845750 | | 1 | SPACER |
| 321845850 | | 1 | SPACER |
| 340437200 | ● 003278401250 (1) | 1 | CONNECTING |
| 340437274 | | 1 | CHAIN ASA |
| 350342510 | | 3 | SCREW |
| 350356925 | | 1 | SPRING |
| 355500915 | | 26 | WASHER |
| 355520830 | | 2 | WASHER |
| 355536210 | | 3 | WASHER |

Guard



MTB "MCS - LX - 2050 mcs
LXE - LS"

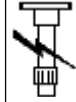
TAILINGS ELEVATOR (NORMAL)



- 12034571
- 12577211
- 14604570
- 14607270
- 14610370
- 16043424
- 16100824
- 16104111
- 300110254
- 300132810
- 320592250
- 321814650
- 321821950
- 321822050
- 321861050
- 321862400
- 321952850
- 322127050
- 340411236
- 340411458
- 344382162
- 344382163
- 350342512
- 350342513
- 355511050
- 97 LOCK WASHE
- 3 NUT
- 1 PLUG
- 2 PLUG
- 2 PLUG
- 14 SCREW
- 15 NUT
- 70 NUT
- 2 GEAR
- 2 GEAR
- 1 PIN
- 35 STRAP
- 35 PADDLE
- 35 AGAINST
- 1 CHAIN ADJU
- 1 CHAIN
- 1 SPACER
- 1 SHAFT
- 3 BEARING
- 4 FLANGE
- 35 CONNECTING
- 1 CONNECTING
- 2 SCREW
- 70 SCREW
- 1 WASHER

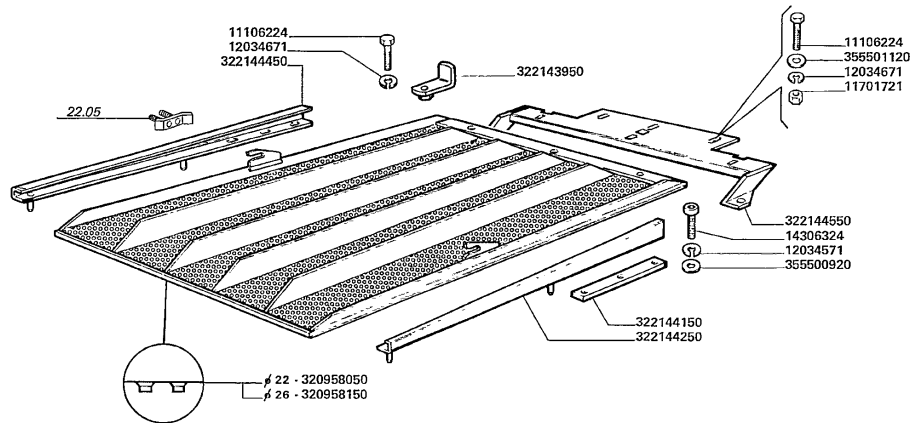
● 003001328103 (2)

Guard



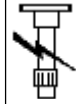
MTB "MCS - LX - 2050 mcs
LXE - LS"

UPPER SIEVE



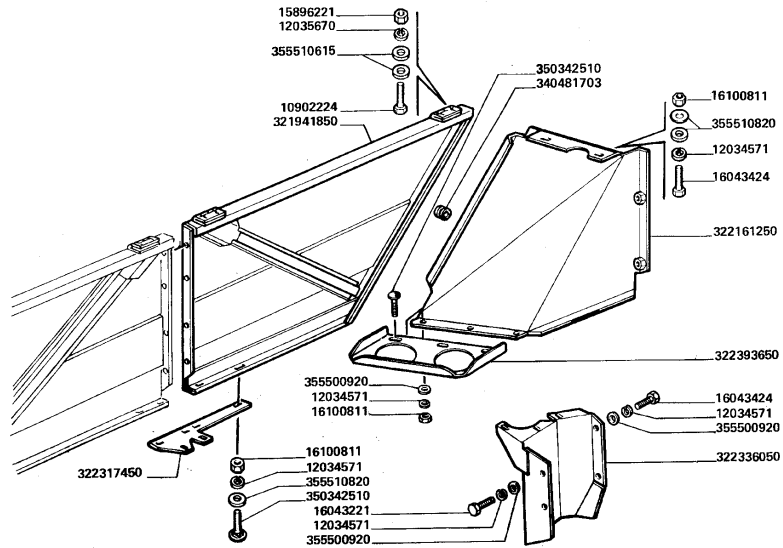
- | | |
|-----------|--------------|
| 11106224 | 6 SCREW |
| 11701721 | 3 NUT |
| 12034571 | 6 LOCK WASHE |
| 14306321 | 6 SCREW |
| 320958050 | 1 SIEVE |
| 320958150 | 1 SIEVE |
| 322143950 | 3 BRACKET, S |
| 322144150 | 2 ROD |
| 322144250 | 1 GUIDE |
| 322144450 | 1 GUIDE |
| 322144550 | 1 FRAME |
| 355500920 | 4 WASHER |
| 355501120 | 3 WASHER |

Guard



R.H. REAR SIDE WALL GUARD page2

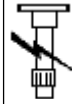
MTB "MCS - LX - 2050 mcs
LXE - LS"



- 10902224
- 12034571
- 12035670
- 15896221
- 16043221
- 16043424
- 16100824
- 321941850
- 322161250
- 322317450
- 322336050
- 322393650
- 340481703
- 350342510
- 355500920
- 355510615
- 355510820
- 8 SCREW
- 27 LOCK WASHE
- 8 LOCK WASHE
- 6 NUT
- 2 SCREW
- 14 SCREW
- 27 NUT
- 1 LID
- 1 SHIELD
- 1 PROFILE
- 1 SHIELD
- 1 SUPPORT
- 2 GROMMET
- 10 SCREW
- 14 WASHER
- 16 WASHER
- 18 WASHER

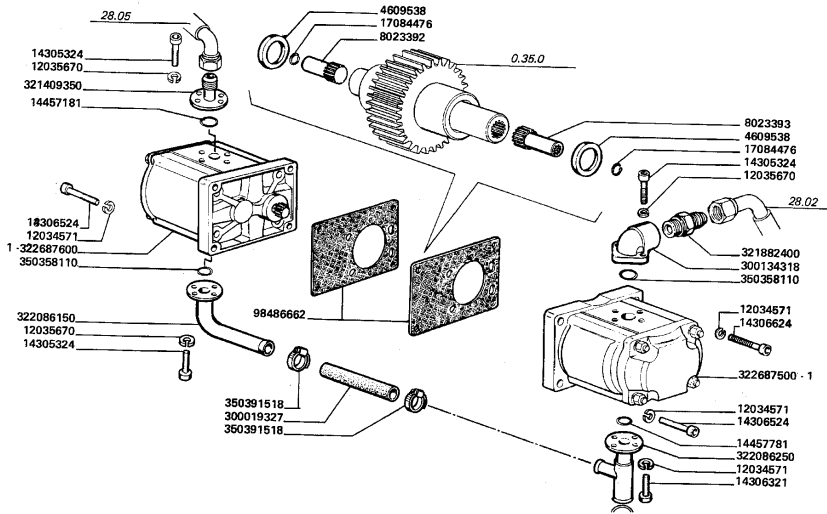
● 000120356710 (8)

Hydraulic system



MTB "MCS - LX - 2050 mcs
LXE - LS"

HYDRAULICS PUMPS



12034571		8 LOCK WASHE
12035670	● 000120356710 (10)	10 LOCK WASHE
14305324		10 SCREW
14306321		4 SCREW
14306524	● 000143065240 (2)	2 SCREW
14306624		2 SCREW
14457181		2 O-RING
14457781		1 O-RING
17084476	● N.A. (0)	2 CIRCLIP
300019327		1 PIPE
300117795	● 000051185680 (2)	2 WASHER
300134318		1 FLANGE
321409350		1 FLANGE
321882400		1 UNION
322086150		1 BREATHER P
322086250		1 FLANGE
322687500		1 PUMP
322687600		1 PUMP
350358110		1 GASKET
350391518		2 COLLAR
79109510		1 KIT, MISC
8023392		0 UNIVERSAL
98486662		2 GASKET

CLICK HERE TO **DOWNLOAD** THE COMPLETE MANUAL

- Thank you very much for reading the preview of the manual.
- You can download the complete manual from: www.heydownloads.com by clicking the link below

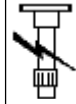


- Please note: If there is no response to CLICKING the link, please download this PDF first and then click on it.

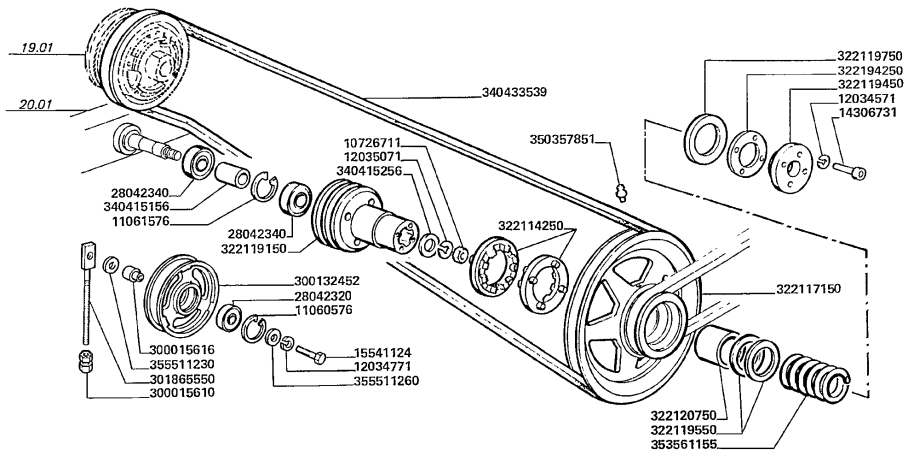
CLICK HERE TO **DOWNLOAD** THE COMPLETE MANUAL

Straw walkers

STRAW WALKER DRIVE page1

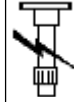


MTB "MCS - LX - 2050 mcs
LXE - LS"



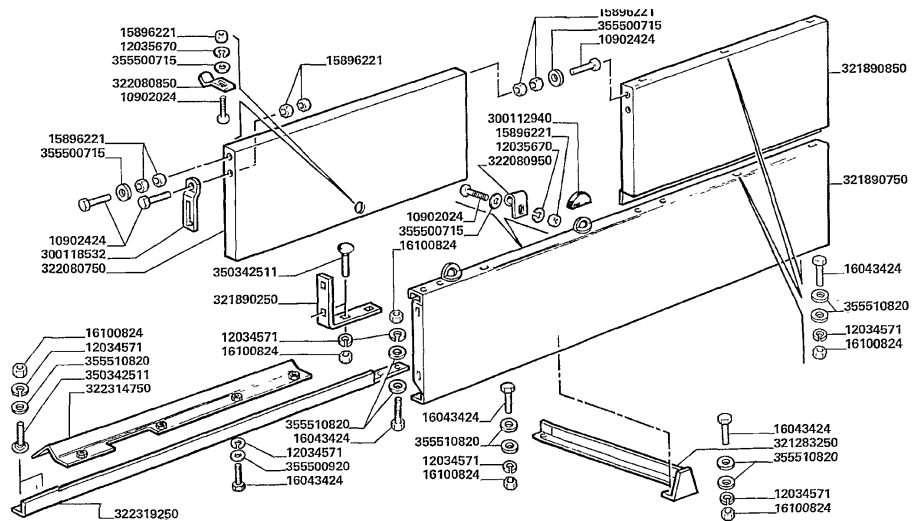
- | | | |
|-----------|--------------------|--------------|
| 10726711 | | 1 NUT |
| 11060576 | | 2 SPRING LOC |
| 11061576 | | 1 SPRING LOC |
| 12034571 | | 4 LOCK WASHE |
| 12034771 | | 2 LOCK WASHE |
| 12035071 | | 1 LOCK WASHE |
| 14306731 | ● 000143067740 (4) | 4 SCREW |
| 15541124 | | 2 SCREW |
| 28042320 | | 1 BEARING |
| 28042340 | | 2 BEARING |
| 300015610 | | 1 NUT |
| 300015616 | | 1 BUSH |
| 300132452 | | 1 GEAR |
| 301865550 | | 1 TIE ROD |
| 322114250 | | 2 RING |
| 322117150 | | 1 PULLEY |
| 322119150 | ● 003232294505 (1) | 1 PULLEY |
| 322119450 | | 1 FLANGE |
| 322119550 | | 2 WASHER |
| 322119750 | | 1 WASHER |
| 322120750 | | 1 BUSH |
| 322194250 | | 2 SHIM |
| 340415156 | | 1 BUSH |
| 340415256 | | 1 WASHER |
| 340433539 | | 1 BELT |
| 350357851 | | 1 NIPPLE, LU |
| 353561155 | | 1 SPRING |
| 355511230 | | 1 WASHER |
| 355511260 | | 2 WASHER |

Tank and fairings



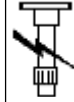
BODY, L.H. FOR ENGINE page1

MTB "MCS - LX - 2050 mcs
LXE - LS"



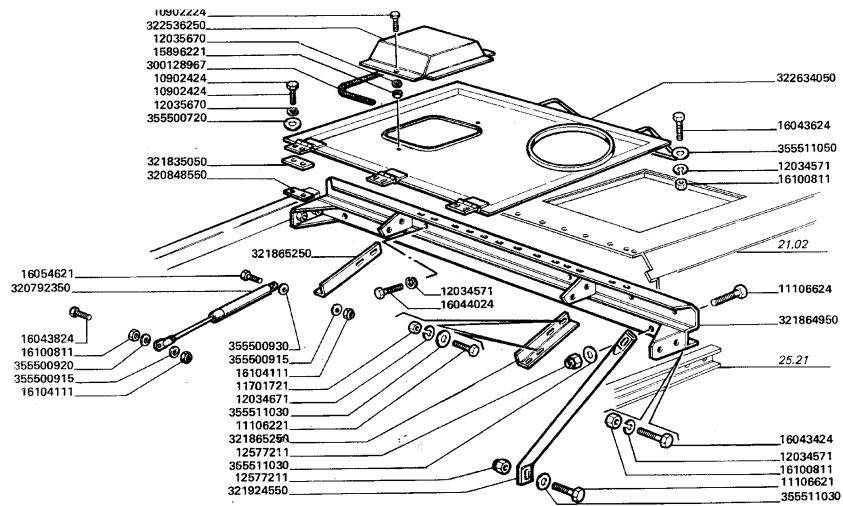
- | | | |
|-----------|----|------------|
| 10902024 | 2 | SCREW |
| 10902424 | 3 | SCREW |
| 12034571 | 58 | LOCK WASHE |
| 12035670 | 2 | LOCK WASHE |
| 15896221 | 8 | NUT |
| 16043424 | 49 | SCREW |
| 16100824 | 50 | NUT |
| 300112940 | 2 | GROMMET |
| 300118532 | 1 | BACKBONE |
| 321283250 | 1 | ANGULAR |
| 321890250 | 1 | SUPPORT |
| 321890750 | 1 | COVER |
| 321890850 | 1 | COVER |
| 322080750 | 1 | LID |
| 322080850 | 1 | PLATE |
| 322080950 | 1 | RETAINER |
| 322314750 | 1 | PROFILE |
| 322319250 | 1 | ANGULAR |
| 350342511 | 6 | SCREW |
| 355500715 | 4 | WASHER |
| 355500920 | 7 | WASHER |
| 355510820 | 88 | WASHER |

Tank and fairings



MTB "MCS - LX - 2050 mcs
LXE - LS"

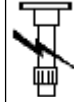
ENGINE COVER



- | | | |
|-----------|----|------------|
| 10902221 | 2 | SCREW |
| 10902421 | 6 | SCREW |
| 11106221 | 8 | SCREW |
| 11106621 | 2 | SCREW |
| 11701711 | 8 | NUT |
| 12034571 | 8 | LOCK WASHE |
| 12034671 | 8 | LOCK WASHE |
| 12035671 | 8 | LOCK WASHE |
| 12577211 | 2 | NUT |
| 15896211 | 2 | NUT |
| 16043421 | 4 | SCREW |
| 16043621 | 1 | SCREW |
| 16043824 | 1 | SCREW |
| 16044021 | 2 | SCREW |
| 16054621 | 2 | SCREW |
| 16100811 | 8 | NUT |
| 16104111 | 2 | NUT |
| 300128967 | 1 | SHIELD |
| 320792350 | 1 | SPRING |
| 320848550 | 3 | RETAINING |
| 321835050 | 3 | SHIM |
| 321864950 | 1 | PROFILE |
| 321865250 | 2 | ANGULAR |
| 321924550 | 1 | STRUT |
| 322536250 | 1 | PANEL |
| 322634050 | 1 | COVER |
| 355500720 | 6 | WASHER |
| 355500915 | 2 | WASHER |
| 355500920 | 1 | WASHER |
| 355500930 | 3 | WASHER |
| 355511030 | 10 | WASHER |
| 355511050 | 1 | WASHER |

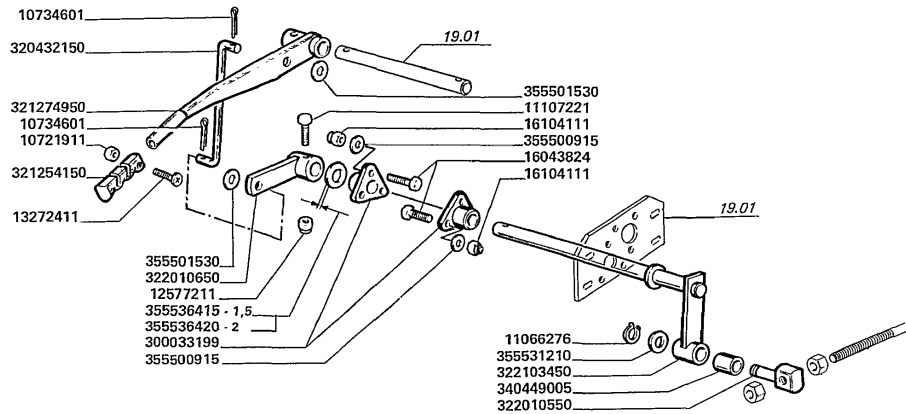
● 003555007150 (6)

Tank and fairings



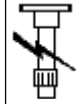
MTB "MCS - LX - 2050 mcs
LXE - LS"

DRIVE AND UNLOADING TANK CLUTCH page4



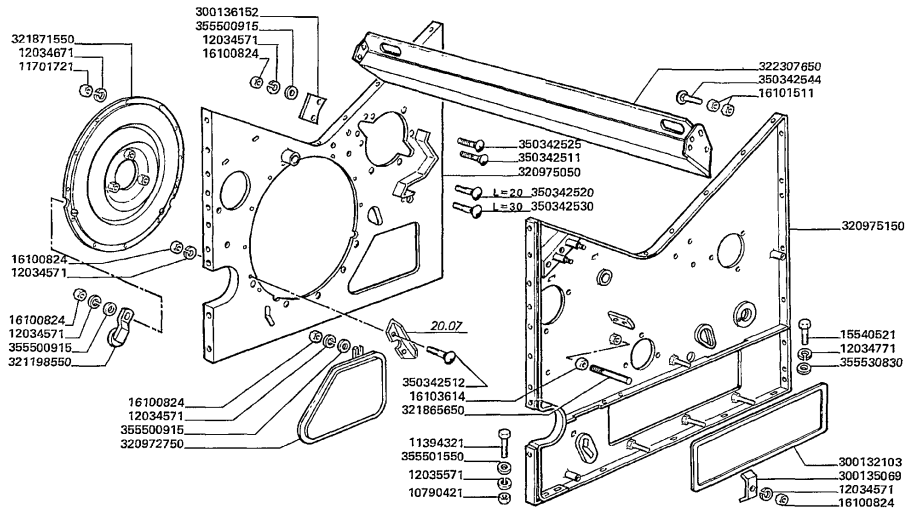
- | | | | |
|-----------|--------------------|---|------------|
| 10721911 | | 1 | NUT |
| 10734601 | | 3 | LINCH PIN |
| 11066276 | | 4 | SPRING LOC |
| 11107221 | | 1 | SCREW |
| 12577211 | | 1 | NUT |
| 13272411 | | 1 | SCREW |
| 16043824 | | 6 | SCREW |
| 16104111 | | 6 | NUT |
| 300033199 | | 2 | SUPPORT |
| 320432150 | | 1 | TIE ROD |
| 321254150 | ● 003234115500 (1) | 1 | HANDLE GRI |
| 321274950 | | 1 | LEVER LEAD |
| 322010550 | | 1 | BALL JOINT |
| 322010650 | | 1 | COUNTER WE |
| 322103450 | | 1 | LEVER |
| 340449005 | | 1 | SILENTBLOC |
| 355500915 | | 6 | WASHER |
| 355501530 | | 3 | WASHER |
| 355531210 | | 2 | WASHER |
| 355536415 | | 3 | WASHER |

Thresher



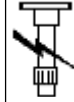
MTB "MCS - LX - 2050 mcs
LXE - LS"

DRUM HOUSING page2



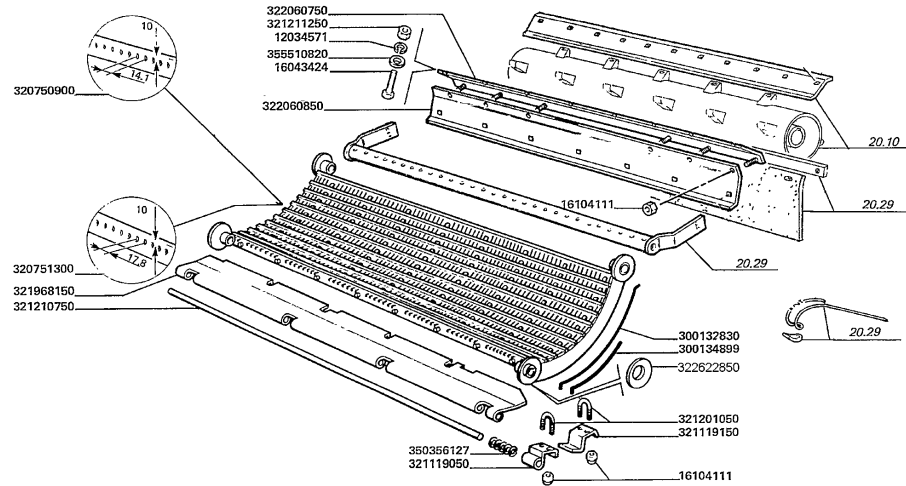
- 10790421
- 11394321
- 11701721
- 12034571
- 12034671
- 12034771
- 12035571
- 15540521
- 16100811
- 16100824
- 16101511
- 300132103
- 300135069
- 300136152
- 320972750
- 320975050
- 320975150
- 321198550
- 321865650
- 321871550
- 350342511
- 350342512
- 350342520
- 350342525
- 350342530
- 350342544
- 355500915
- 355501550
- 355530830
- 4 NUT
- 4 SCREW
- 28 NUT
- 14 LOCK WASHE
- 1 LOCK WASHE
- 16 LOCK WASHE
- 4 LOCK WASHE
- 15 SCREW
- 3 NUT
- 14 NUT
- 0 NUT
- 1 HATCH
- 3 PLATE
- 2 PANEL
- 1 LID
- 1 SIDE PANEL
- 1 SIDE PANEL
- 4 PANEL
- 1 PIN
- 1 COVER
- 2 SCREW
- 8 SCREW
- 5 SCREW
- 1 SCREW
- 1 SCREW
- 8 SCREW
- 6 WASHER
- 4 WASHER
- 18 WASHER

Thresher



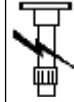
MTB "MCS - LX - 2050 mcs
LXE - LS"

CONCAVE



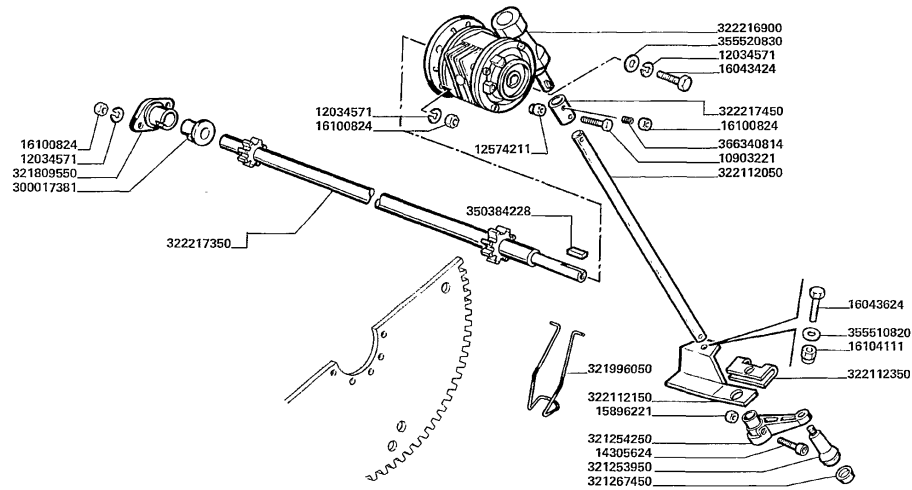
- | | | |
|-----------|--------------------|--------------|
| 12034571 | | 7 LOCK WASHE |
| 16043424 | | 7 SCREW |
| 16104111 | | 20 NUT |
| 300132830 | | 1 WIRE, RETA |
| 300134899 | | 1 WIRE, RETA |
| 320750900 | ● 003234133500 (1) | 1 CONCAVE |
| | 003234123005 (4) | |
| 320751300 | ● 003234133500 (1) | 1 CONCAVE |
| | 003234123005 (4) | |
| 321119050 | | 4 HINGE |
| 321119150 | | 3 SUPPORT |
| 321201050 | | 7 BRIDLE |
| 321210750 | | 1 DOWEL |
| 321211250 | | 7 NUT |
| 321968150 | | 1 PANEL |
| 322060750 | | 1 PLATE |
| 322060850 | | 1 PROFILE |
| 322622850 | | 4 WASHER |
| 322690150 | | 1 WIRE, RETA |
| 350356127 | | 1 SPRING |
| 355510820 | | 7 WASHER |

Thresher



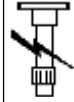
MULTI CROP SEPARATOR page 4

MTB "MCS - LX - 2050 mcs
LXE - LS"



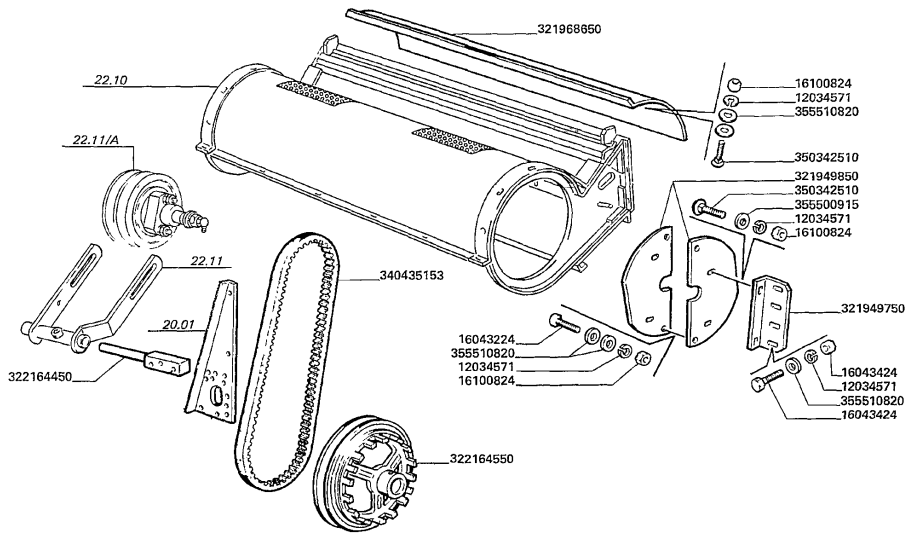
- | | |
|-----------|---------------|
| 10903221 | 1 SCREW |
| 12034571 | 11 LOCK WASHE |
| 12574211 | 3 NUT |
| 14305624 | 1 SCREW |
| 15896221 | 1 NUT |
| 16043424 | 1 SCREW |
| 16043624 | 3 SCREW |
| 16100824 | 7 NUT |
| 16104111 | 7 NUT |
| 300017381 | 1 BUSH |
| 321253950 | 1 HANDLE GRI |
| 321267450 | 1 PLUG |
| 321996050 | 1 HOOK |
| 322216900 | 1 GEAR REDUC |
| 322217350 | 1 SHAFT |
| 322217450 | 1 BUSH |
| 350384228 | 1 KEY |
| 355510820 | 1 WASHER |
| 355520830 | 1 WASHER |
| 366340814 | 1 SCREW |

Tools



MTB "MCS - LX - 2050 mcs
LXE - LS"

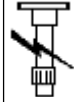
EQUIPMENT FOR SMALL SEEDS



- 12034571
- 16043224
- 16043424
- 16100824
- 321949750
- 321949850
- 321968650
- 322164450
- 322164550
- 340435153
- 350342510
- 355500915
- 355510820

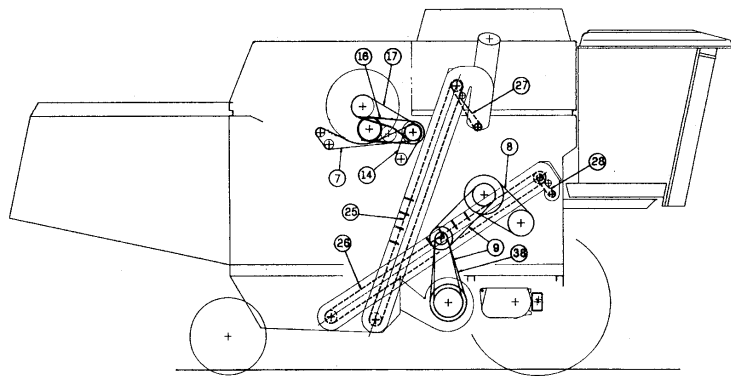
- 22 LOCK WASHE
- 4 SCREW
- 8 SCREW
- 22 NUT
- 4 SUPPORT
- 4 PANEL
- 1 PANEL
- 1 PIN
- 1 PULLEY
- 1 BELT
- 10 SCREW
- 8 WASHER
- 20 WASHER

Tools



MTB "MCS - LX - 2050 mcs
LXE - LS"

DRIVE BELTS AND DRIVE CHAINS (RIGHT-HAND)



- | | | | | |
|----|-----------|--------------------|---|-----------|
| 7 | 340433179 | | 1 | BELT |
| 8 | 340435152 | ● 003404351550 (1) | 1 | BELT |
| 9 | 340435150 | | 2 | BELT |
| 14 | 340433132 | | 1 | BELT |
| 16 | 340433260 | | 1 | BELT |
| 17 | 340433268 | | 1 | BELT |
| 25 | 321862500 | | 1 | CHAIN |
| 26 | 321862400 | | 1 | CHAIN |
| 27 | 340437274 | | 1 | CHAIN ASA |
| 28 | 340437248 | | 1 | CHAIN ASA |
| 38 | 340435153 | | 1 | BELT |

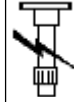
1950-2050

01 02

CINGHIE E CATENE DI TRASMISSIONE (LATO DESTRO)

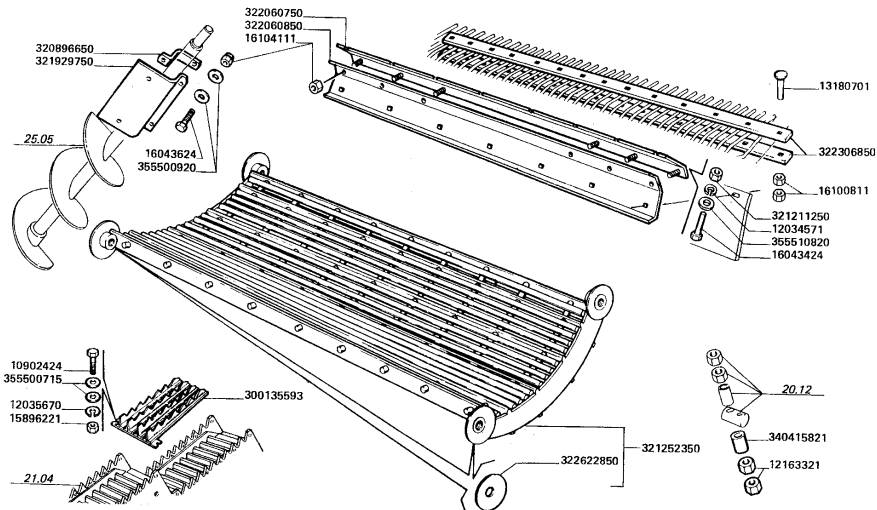
Courroies et chaînes de transmission (cote droite) Drive belts and drive chains (right-hand)
Antriebsriemen und Ketten (rechte Seite) Correas y cadenas de transmisión (lado derecho)

Tools



MTB "MCS - LX - 2050 mcs
LXE - LS"

CONCAVE MAIS-MIX page1



- 10902424
- 12035670
- 12163321
- 13180701
- 15896221
- 16043424
- 16043624
- 16100824
- 16104111
- 300135593
- 320896650
- 321211250
- 321252350
- 321929750
- 322060750
- 322060850
- 322306850
- 322622850
- 340415821
- 355500715
- 355500920
- 355510820
- 15 SCREW
- 25 LOCK WASHE
- 2 NUT
- 13 SCREW
- 25 NUT
- 7 SCREW
- 4 SCREW
- 26 NUT
- 10 NUT
- 5 RAKE
- 2 BRIDLE
- 7 NUT
- 1 CONCAVE
- 1 SHOVEL
- 1 PLATE
- 1 PROFILE
- 2 REINFORCEM
- 4 WASHER
- 1 BUSH
- 60 WASHER
- 8 WASHER
- 7 WASHER

1950-2050

01 02

Contre batteur mais-mix
Korb mais-mix

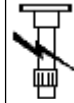
CONTROBATTITORE MAIS-MIX

Concave mais-mix
Concavo mais-mix

919.2

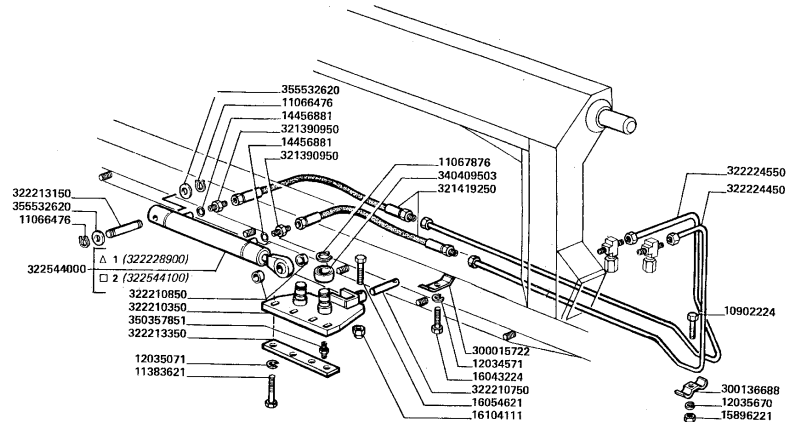
1/2 20250131020

Tools

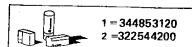


MTB "MCS - LX - 2050 mcs
LXE - LS"

FRONT ELEVATOR



△ = MITA
□ = PANNI



2050

02

ELEVATORE ANTERIORE (MARTINETTO ORIENTAMENTO)

Elevateur avant
Vorderelevator

510

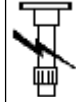
Front elevator
Elevador anterior

4

10040182000
28090131001

- 11060576
- 11067376
- 11113921
- 11114221
- 11701721
- 12034571
- 12034671
- 12577511
- 16044921
- 16045124 ● 000160451240 (2)
- 16100811
- 321885850
- 321943750
- 321943850
- 321946750
- 322090150
- 322090350
- 322090450
- 322090550
- 322090750
- 322090850
- 322100750
- 322167150
- 322203850
- 322638450
- 340415514
- 344377202
- 344377220
- 350342511
- 350342525
- 350356555
- 350357853
- 355510820
- 5 SPRING LOC
- 3 SPRING LOC
- 1 SCREW
- 1 SCREW
- 20 NUT
- 20 LOCK WASHE
- 20 LOCK WASHE
- 2 NUT
- 2 SCREW
- 2 SCREW
- 18 NUT
- 3 GEAR
- 1 PLATE
- 1 SKATE
- 1 TIE ROD
- 4 SPACER
- 1 SUPPORT
- 1 ROLLER
- 1 PLATE
- 1 SKATE
- 1 SKATE
- 2 BEARING
- 1 SUPPORT
- 1 COUNTER WE
- 4 BEARING
- 1 BUSH
- 1 CONNECTING
- 1 CHAIN
- 2 SCREW
- 2 SCREW
- 1 SPRING
- 4 NIPPLE, LU
- 4 WASHER

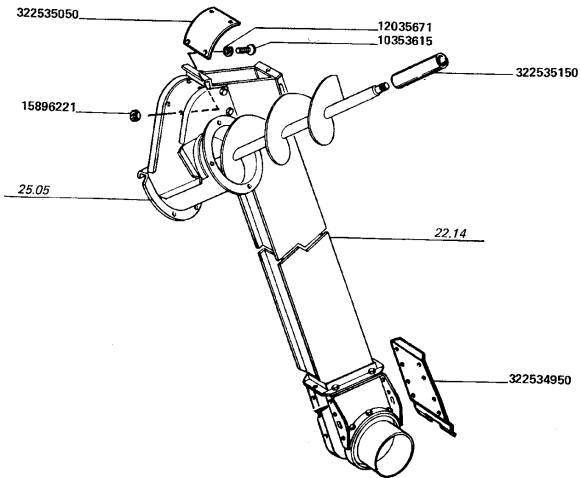
Tools



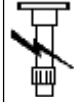
MTB "MCS - LX - 2050 mcs
LXE - LS"

ANTHWEAR PARTS

- | | | | |
|-----------|--------------------|---|------------|
| 10353615 | | 4 | SCREW |
| 12035670 | ● 000120356710 (4) | 4 | LOCK WASHE |
| 15896221 | | 1 | NUT |
| 322534950 | | 1 | WALL |
| 322535050 | | 1 | PLATE |
| 322535150 | | 1 | SHIELD |

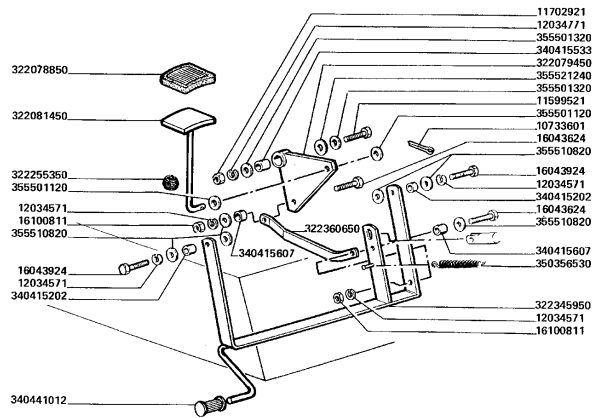


Tools



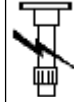
MTB "MCS - LX - 2050 mcs
LXE - LS"

LADDER FOOTBOARD (LADDER RELEASE) page 3



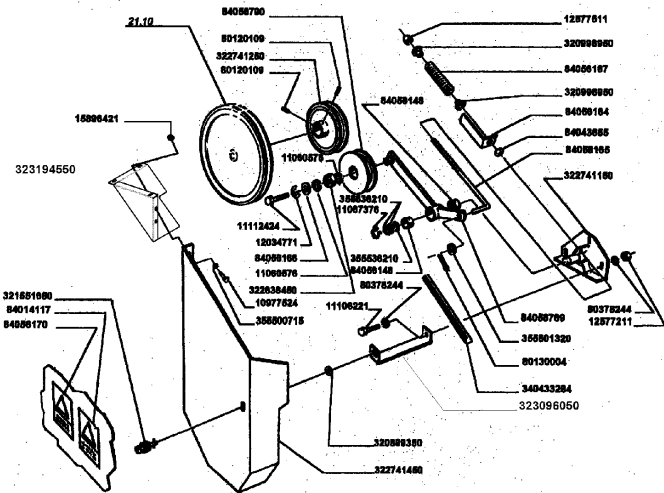
- | | |
|-----------|---------------|
| 10733601 | 1 LINCH PIN |
| 11599521 | 2 SCREW |
| 11702911 | 2 NUT |
| 12034571 | 24 LOCK WASHE |
| 12034771 | 3 LOCK WASHE |
| 16043621 | 14 SCREW |
| 16043921 | 2 SCREW |
| 16100811 | 21 NUT |
| 322078850 | 1 PAD,RUBBER |
| 322079450 | 1 COUNTER WE |
| 322081450 | 1 PEDAL |
| 322255350 | 1 BUSH |
| 322345950 | 1 LEVER |
| 340415202 | 2 BUSH |
| 340415533 | 1 BUSH |
| 340415607 | 2 BUSH |
| 340441012 | 1 PAD,RUBBER |
| 350356530 | 2 SPRING |
| 355501120 | 3 WASHER |
| 355501320 | 7 WASHER |
| 355510820 | 39 WASHER |
| 355521240 | 1 WASHER |

Tools



MTB "MCS - LX - 2050 mcs
LXE - LS"

CHAFF SPREADER - GUARDS



- | | | | |
|-----------|--|---|------------|
| 10977524 | | 6 | SCREW |
| 11060576 | | 2 | SPRING LOC |
| 11067376 | | 1 | SPRING LOC |
| 11106221 | | 3 | SCREW |
| 11112424 | | 1 | SCREW |
| 12034771 | | 1 | LOCK WASHE |
| 12577511 | | 3 | NUT |
| 15896421 | ● 000158964110 (6) | 6 | NUT |
| 320899350 | | 1 | WASHER |
| 320899950 | | 2 | SUPPORT |
| 321551650 | | 1 | STEM |
| 322638450 | | 1 | BEARING |
| 322741150 | | 1 | SUPPORT |
| 322741250 | | 1 | PULLEY |
| 322741450 | | 1 | SHIELD |
| 323096050 | | 1 | SUPPORT |
| 323194550 | | 1 | SHIELD |
| 340433264 | | 1 | BELT |
| 355500715 | | 6 | WASHER |
| 355501320 | | 1 | WASHER |
| 355536210 | | 3 | WASHER |
| 80120109 | ● 003663610160 (2)
000117017110 (2) | 2 | SCREW |
| 80130004 | ● 000107346010 (1) | 1 | LINCH PIN |
| 84014117 | ● 003410000190 (2) | 2 | DECAL |
| 84043655 | | 1 | NUT |
| 84056148 | | 2 | BUSH |
| 84056164 | | 1 | SUPPORT |
| 84056165 | | 1 | TIE ROD |
| 84056166 | | 1 | BUSH |

SPARGIPULA - PROTEZIONI

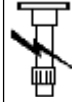
Epardeur de balle - Protections
Spreuverteiler - Schutz

Chaff spreader - Guards
Españador de tamo - Protecciones

776.5

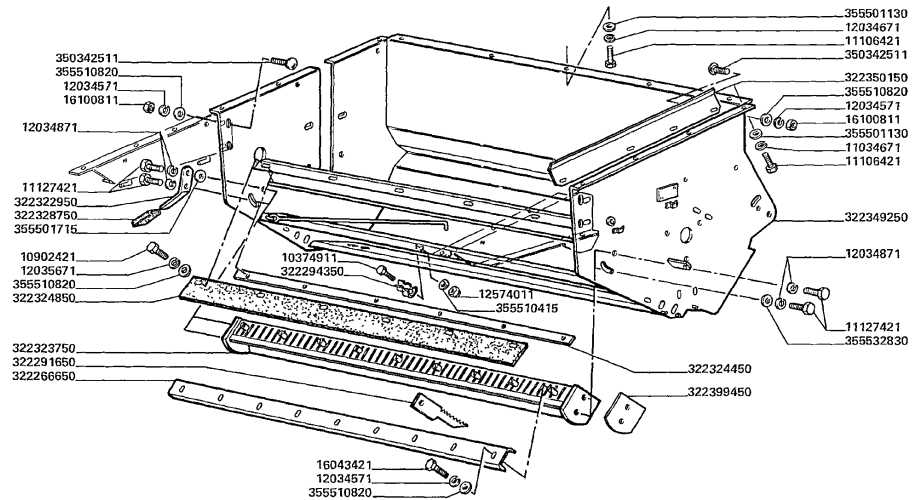
1/1 7117761310

Tools



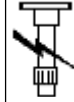
STRAW CHOPPER - BODY page1

MTB "MCS - LX - 2050 mcs
LXE - LS"



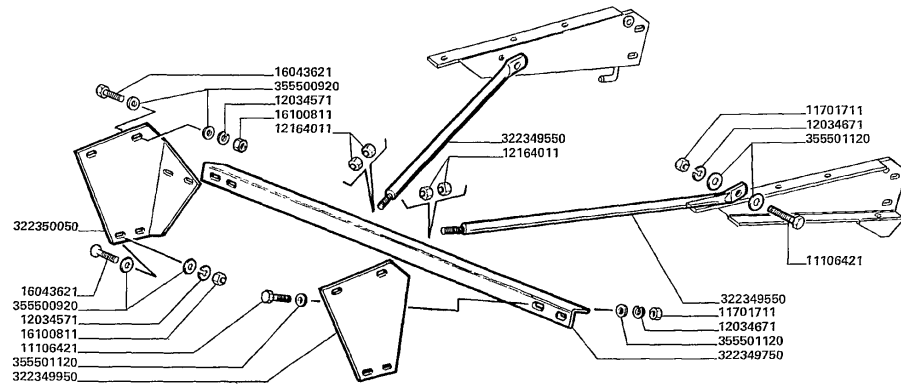
- | | |
|-----------|---------------|
| 10374911 | 1 SCREW |
| 10902421 | 6 SCREW |
| 11106421 | 13 SCREW |
| 11127421 | 4 SCREW |
| 12034571 | 21 LOCK WASHE |
| 12034671 | 13 LOCK WASHE |
| 12034871 | 4 LOCK WASHE |
| 12035671 | 8 LOCK WASHE |
| 12574011 | 1 NUT |
| 16043421 | 9 SCREW |
| 16100811 | 14 NUT |
| 322266650 | 1 STRAP |
| 322291650 | 50 SHEAR BAR |
| 322294350 | 1 CLAW |
| 322322950 | 1 LEVER LEAD |
| 322323750 | 1 BEAM |
| 322324450 | 1 STRAP |
| 322324850 | 1 CANVAS |
| 322328750 | 1 HANDLE GRI |
| 322349250 | 1 CASE |
| 322350150 | 2 CONVEYOR |
| 322399450 | 2 SHIM |
| 350342511 | 12 SCREW |
| 355501130 | 13 WASHER |
| 355501715 | 2 WASHER |
| 355510415 | 1 WASHER |
| 355510820 | 23 WASHER |
| 355532830 | 1 WASHER |

Tools



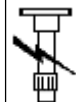
MTB "MCS - LX - 2050 mcs
LXE - LS"

STRAW-CHOPPER - BODY STIFFENER



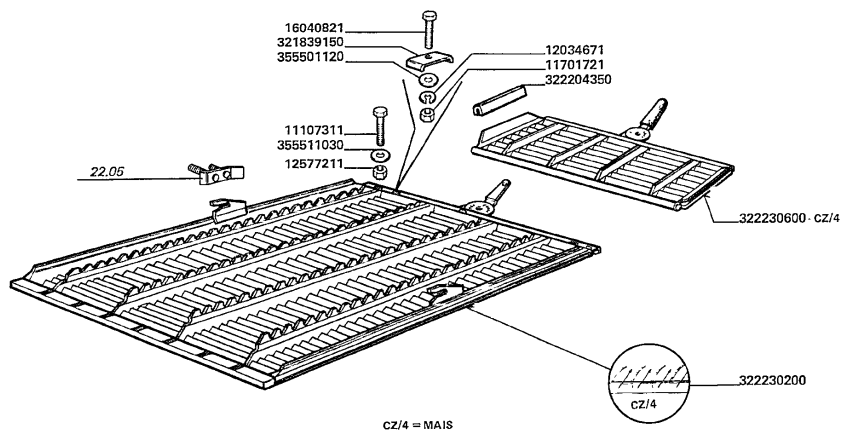
- | | | |
|-----------|--|--------------|
| 11106421 | | 6 SCREW |
| 11701711 | | 6 NUT |
| 12034571 | | 8 LOCK WASHE |
| 12034671 | | 6 LOCK WASHE |
| 12164011 | ● 000121640210 (4) | 4 NUT |
| 16043621 | | 8 SCREW |
| 16100811 | | 8 NUT |
| 322349550 | ● 003233086500 (2)
003233087500 (2)
003233088500 (2) | 2 TIE ROD |
| 322349750 | ● 003233086500 (1)
003233087500 (1)
003233088500 (1) | 1 ANGULAR |
| 322349950 | | 1 PLATE |
| 322350050 | | 1 PLATE |
| 355500920 | | 16 WASHER |
| 355501120 | | 12 WASHER |

Tools



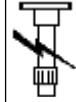
MTB "MCS - LX - 2050 mcs
LXE - LS"

UPPER SIEVE ADJUSTABLE



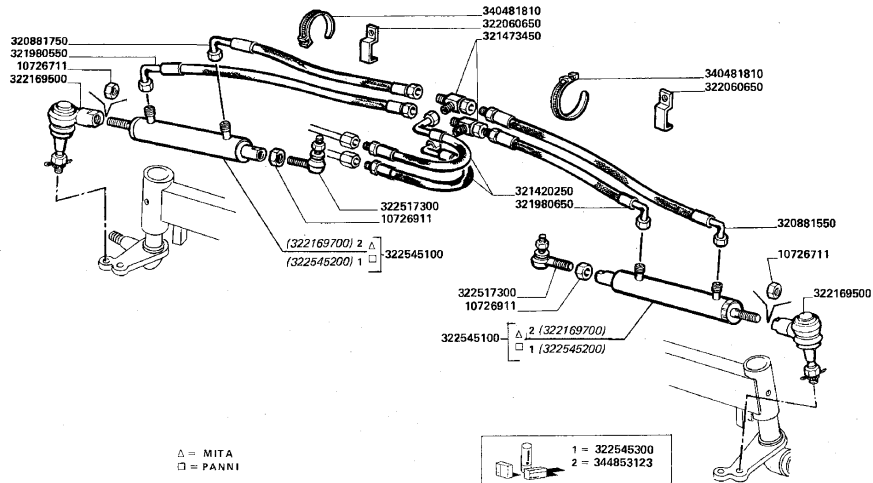
- | | | |
|-----------|--------------------|--------------|
| 11107311 | ● 000111073210 (2) | 2 SCREW |
| 11701721 | | 3 NUT |
| 12034671 | | 3 LOCK WASHE |
| 12577211 | | 2 NUT |
| 16040821 | | 3 SCREW |
| 321839150 | | 3 PARABOLA S |
| 322136700 | | 1 SIEVE EXTE |
| 322204350 | | 2 GASKET |
| 322230200 | | 1 SIEVE |
| 322230600 | | 1 SIEVE EXTE |
| 355501120 | | 3 WASHER |
| 355511030 | | 2 WASHER |

Transmission



MTB "MCS - LX - 2050 mcs
LXE - LS"

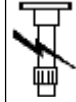
REAR AXLE - ADJUSTABLE page2



- | | |
|-----------|--------------|
| 10726711 | 2 NUT |
| 10726911 | 4 NUT |
| 320881550 | 1 HOSE |
| 320881750 | 1 HOSE |
| 321420250 | 2 HOSE |
| 321473450 | 2 UNION |
| 321980550 | 1 HOSE |
| 322060650 | 1 PLATE |
| 322169500 | 2 BALL JOINT |
| 322517300 | 4 BALL JOINT |
| 322545100 | 2 JACK |
| 322545300 | 1 KIT SEALS |
| 340481810 | 5 CLAMP |
| 344853123 | 1 KIT SEALS |

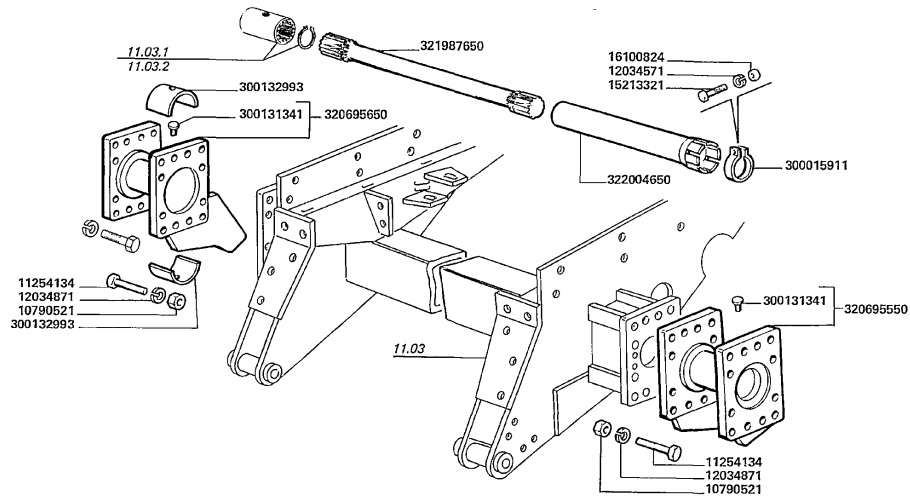
Transmission

CRWLER TRACKS(7 rollers) page 1

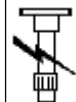


MTB "MCS - LX - 2050 mcs
LXE - LS"

- | | |
|-----------|----------|
| 11391534 | 68 SCREW |
| 15835231 | 68 SCREW |
| 15981031 | 13 SCREW |
| 300135424 | 13 NUT |
| 322029950 | 34 SKATE |
| 322030050 | 34 SKATE |
| 322030150 | 1 SKATE |
| 322030250 | 1 SKATE |
| 322565650 | 4 SCREW |

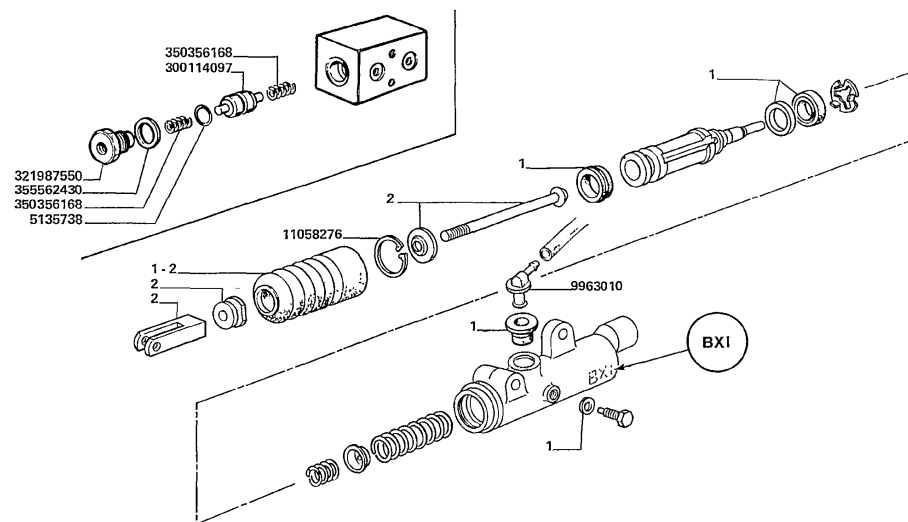


Transmission



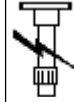
MTB "MCS - LX - 2050 mcs
LXE - LS"

PUMP ELEMENTS AND BRAKE COMPANSATION VAL



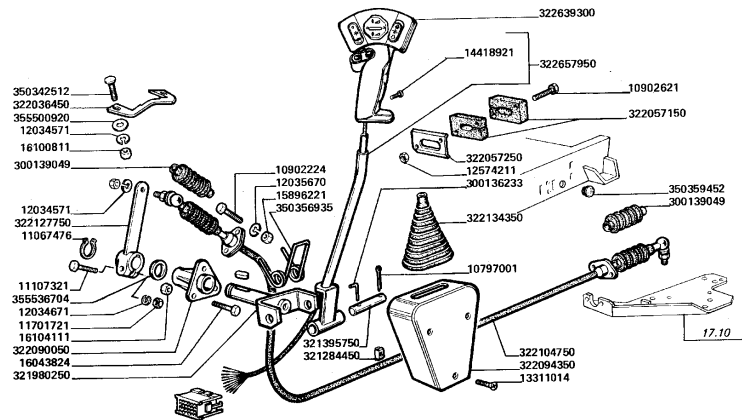
- | | | |
|-----------|---|------------|
| 11058276 | 1 | SPRING LOC |
| 300114097 | 1 | PISTON |
| 321987550 | 1 | PLUG |
| 350356168 | 2 | SPRING |
| 355562430 | 1 | WASHER |
| 5135738 | 1 | O-RING |
| 9963008 | 1 | KIT, MISC |
| 9963009 | 1 | KIT, MISC |
| 9963010 | 1 | UNION |

Transmission



MTB "MCS - LX - 2050 mcs
LXE - LS"

MULTIFUNCTIONS LEVER FOR HYDROSTATIC TRACTION



- | | | |
|-----------|---|------------|
| 10618910 | 1 | KEY |
| 10797001 | 1 | LINCH PIN |
| 10902224 | 4 | SCREW |
| 10902424 | 2 | SCREW |
| 10902621 | 2 | SCREW |
| 11067476 | 1 | SPRING LOC |
| 11107321 | 1 | SCREW |
| 11701721 | 1 | NUT |
| 12034571 | 4 | LOCK WASHE |
| 12034671 | 1 | LOCK WASHE |
| 12035670 | 6 | LOCK WASHE |
| 12574211 | 2 | NUT |
| 13311014 | 3 | SCREW |
| 14418921 | 2 | SCREW |
| 15896221 | 4 | NUT |
| 16043824 | 3 | SCREW |
| 16100811 | 2 | NUT |
| 16104111 | 3 | NUT |
| 300136233 | 1 | DOWEL |
| 300139049 | 2 | SLEEVE |
| 321284450 | 3 | NUT |
| 321395750 | 1 | DOWEL |
| 321980250 | 1 | PIN |
| 322036450 | 1 | SECTOR |
| 322057150 | 2 | GASKET |
| 322057250 | 1 | STRAP |
| 322090050 | 1 | SUPPORT |
| 322094350 | 1 | SHIELD |
| 322104750 | 1 | CABLE |
| 322127750 | 1 | LEVER |
| 322134350 | 1 | BELLOWS |
| 322657950 | 1 | LEVER |
| 350342512 | 2 | SCREW |

● 000120356710 (6)

CLICK HERE TO **DOWNLOAD** THE COMPLETE MANUAL

- Thank you very much for reading the preview of the manual.
- You can download the complete manual from: www.heydownloads.com by clicking the link below



- Please note: If there is no response to CLICKING the link, please download this PDF first and then click on it.

CLICK HERE TO **DOWNLOAD** THE COMPLETE MANUAL