

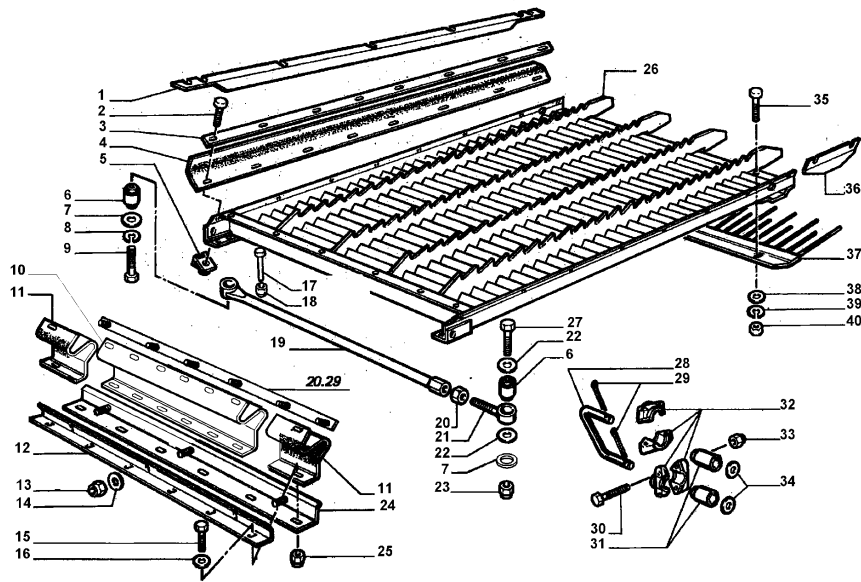
CLEANING

22.0
1_1

GRAIN PAN

MTB "REV" 200 REV (551100001_551100038)

22.01_1



- | | | | | |
|----|-----------|--------------------|------------|-----------|
| 1 | 321844050 | 1 | PLATE | |
| 2 | 10977821 | 1 | SCREW | |
| 3 | 321828350 | 1 | STRAP | |
| 4 | 321828250 | 1 | CONVEYOR | |
| 5 | 322121950 | 1 | NUT | |
| 6 | 340449005 | 1 | SILENTBLOC | |
| 7 | 355501530 | 1 | WASHER | |
| 8 | 12035571 | 1 | LOCK WASHE | |
| 9 | 11116221 | 1 | SCREW | |
| 10 | 323119950 | 1 | GASKET | |
| 11 | 323120150 | 1 | GASKET | |
| 12 | 322125050 | 1 | PROFILE | |
| 13 | 12574111 | 1 | NUT | |
| 14 | 355500615 | 1 | WASHER | |
| 15 | 16043624 | 1 | SCREW | |
| 16 | 355510820 | 1 | WASHER | |
| 17 | 10902621 | 1 | SCREW | |
| 18 | 12574211 | 1 | NUT | |
| 19 | 321840050 | 1 | ARM | |
| 20 | 11702921 | 1 | NUT | |
| 21 | 321839950 | 1 | HEAD | |
| 22 | 340415093 | 1 | SPACER | |
| 23 | 12577311 | 1 | NUT | |
| 24 | 322124950 | 1 | PROFILE | |
| 25 | 16104111 | 1 | NUT | |
| 26 | 322135750 | ● 003233658505 (1) | 1 | GRAIN PAN |
| 27 | 11116421 | 1 | SCREW | |
| 28 | 321828450 | 1 | CONROD | |
| 29 | 10733801 | 1 | LINCH PIN | |
| 30 | 11107621 | 1 | SCREW | |
| 31 | 322203650 | 1 | BUSH | |
| 32 | 322194750 | 1 | SUPPORT | |
| 33 | 12577211 | 1 | NUT | |

CLICK HERE TO **DOWNLOAD** THE COMPLETE MANUAL

- Thank you very much for reading the preview of the manual.
- You can download the complete manual from: www.heydownloads.com by clicking the link below



- Please note: If there is no response to CLICKING the link, please download this PDF first and then click on it.

CLICK HERE TO **DOWNLOAD** THE COMPLETE MANUAL

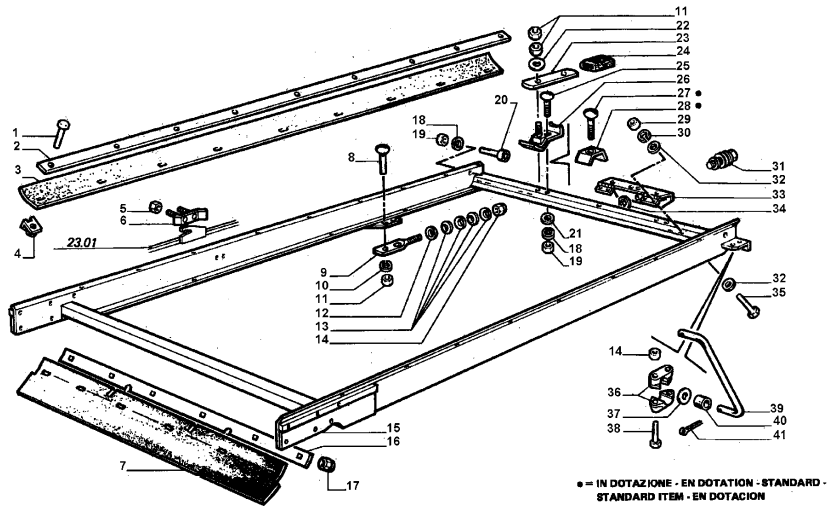
CLEANING

22.0
5_1

UPPER SHAKER SHOE

MTB "REV" 200 REV (551100001_551100038)

22.05_1



● = IN DOTAZIONE - EN DOTATION - STANDARD -
STANDARD ITEM - EN DOTACION

- | | | | | |
|----|-----------|--------------------|---|------------|
| 1 | 10977821 | | 1 | SCREW |
| 2 | 322201950 | | 1 | STRAP |
| 3 | 321834850 | | 1 | GASKET |
| 4 | 322121950 | | 1 | NUT |
| 5 | 12577211 | | 1 | NUT |
| 6 | 321839050 | | 1 | RETAINER |
| 7 | 320972450 | | 1 | GASKET |
| 8 | 350342511 | | 1 | SCREW |
| 9 | 321836150 | | 1 | TIE ROD |
| 10 | 12034571 | | 1 | LOCK WASHE |
| 11 | 16100811 | | 1 | NUT |
| 12 | 355511030 | | 1 | WASHER |
| 13 | 350356004 | | 1 | SPRING |
| 14 | 12577211 | | 1 | NUT |
| 15 | 322115750 | | 1 | CASE |
| 16 | 320972850 | | 1 | STRAP |
| 17 | 360653408 | | 1 | NUT |
| 18 | 12034671 | | 1 | LOCK WASHE |
| 19 | 11701721 | | 1 | NUT |
| 20 | 14301821 | | 1 | SCREW |
| 21 | 355501120 | | 1 | WASHER |
| 22 | 355500920 | | 1 | WASHER |
| 23 | 321835350 | | 1 | LEVER |
| 24 | 321835450 | | 1 | HANDLE GRI |
| 25 | 350342525 | | 1 | SCREW |
| 26 | 321861250 | | 1 | SUPPORT |
| 27 | 13184001 | ● 000803504590 (1) | 1 | SCREW |
| 28 | 321835550 | | 1 | EXTENSION, |
| 29 | 15896221 | | 1 | NUT |
| 30 | 12035670 | ● 000120356710 (1) | 1 | LOCK WASHE |
| 31 | 320797250 | | 1 | STEM |
| 32 | 355500610 | ● 003555006150 (1) | 1 | WASHER |

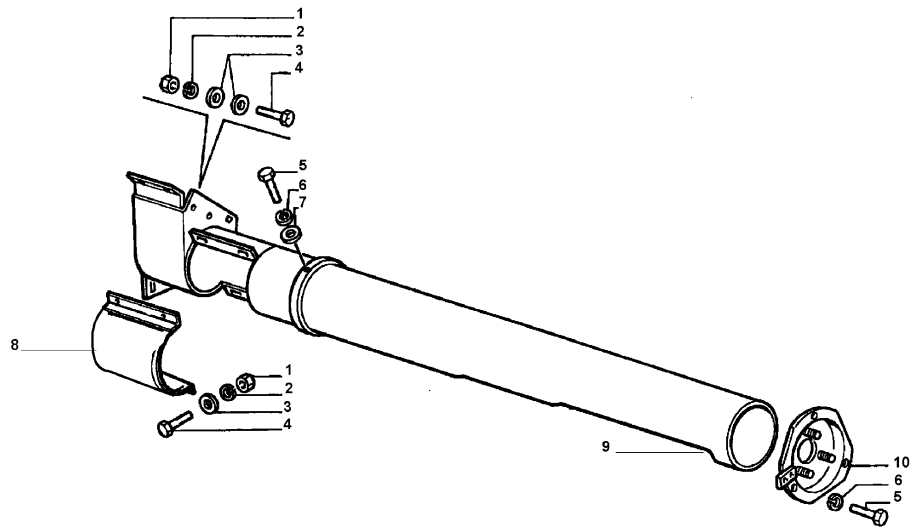
CLEANING

22.0
7_4

TAILINGS ELEVATOR (NORMAL) page4

MTB "REV" 200 REV (551100001_551100038)

22.07_4



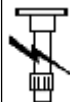
- | | | | |
|----|-----------|---|------------|
| 1 | 15896221 | 1 | NUT |
| 2 | 12034670 | 1 | LOCK WASHE |
| 3 | 355500715 | 1 | WASHER |
| 4 | 10902224 | 1 | SCREW |
| 5 | 16043224 | 1 | SCREW |
| 6 | 12034571 | 1 | LOCK WASHE |
| 7 | 355510820 | 1 | WASHER |
| 8 | 322857950 | 1 | LID |
| 9 | 323042050 | 1 | PLATE |
| 10 | 322126650 | 1 | SUPPORT |

CLEANING

23.3
0_1

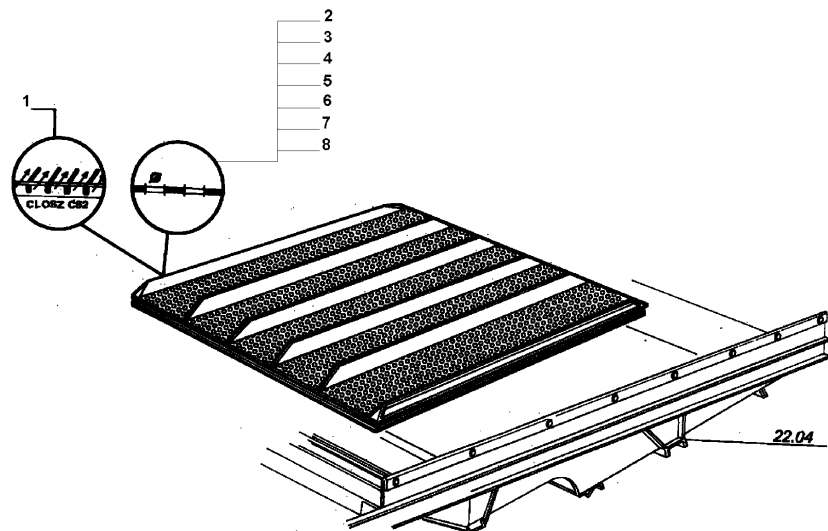
LOWER SIEVE

MTB "REV" 200 REV (551100001_551100038)



23.30_1

- | | | | |
|---|-----------|---|-------|
| 1 | 320970000 | 1 | SIEVE |
| 2 | 320959950 | 1 | SIEVE |
| 3 | 320960250 | 1 | SIEVE |
| 4 | 320960350 | 1 | SIEVE |
| 5 | 320960450 | 1 | SIEVE |
| 6 | 320960650 | 1 | SIEVE |
| 7 | 320960750 | 1 | SIEVE |
| 8 | 320960850 | 1 | SIEVE |



LA DOTAZIONE DEI VAGLI VARIA SECONDO L'ALLESTIMENTO DELLA MACCHINA

La dotation des cribles varie selon le standard de la machine
Die siebausrüstung wechselt gemäss der maschinenausrüstung
The set of sieves varies according to the machines standard
La dotacion de las cribas varian segun el alistamiento de la maquina

DRIV'S PLATFORM

27.1
3.1_1

CAB-CLIMATIZED CAB page 1

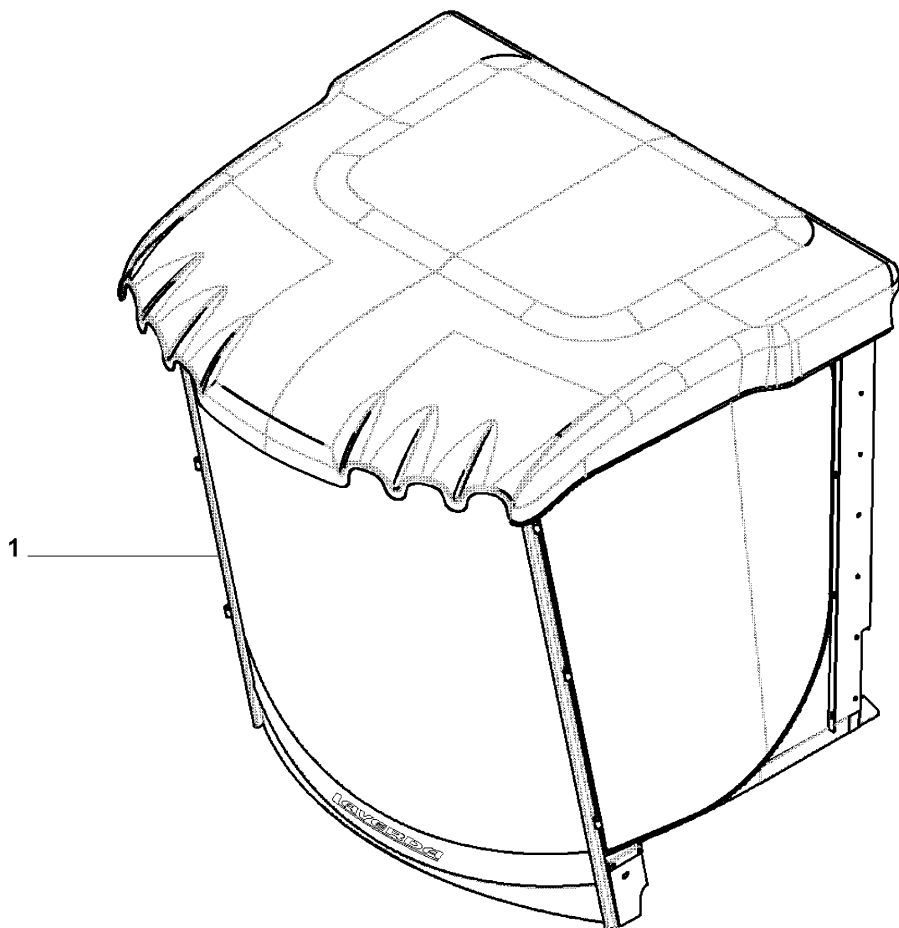
MTB "REV" 200 REV (551100001_551100038)



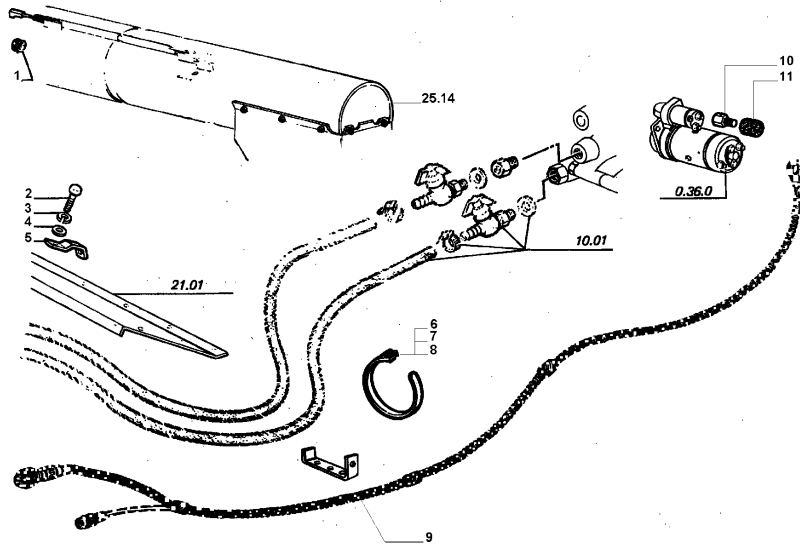
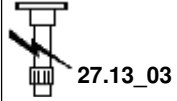
27.13.1
1

1 323291900

1 CAB



MTB "REV" 200 REV (551100001_551100038)



- | | | | | |
|----|-----------|--------------------|---|------------|
| 1 | 10396480 | | 1 | RING |
| 2 | 16043424 | | 1 | SCREW |
| 3 | 12034571 | | 1 | LOCK WASHE |
| 4 | 355500920 | | 1 | WASHER |
| 5 | 321287050 | | 1 | BRACKET, S |
| 6 | 340481806 | | 1 | CLAMP |
| 7 | 340481808 | ● 003404818090 (1) | 1 | CLAMP |
| 8 | 340481811 | | 1 | CLAMP |
| 9 | 322799400 | | 1 | WIRE/CABLE |
| 10 | 300115952 | | 1 | UNION |
| 11 | 300115953 | | 1 | SHIELD |

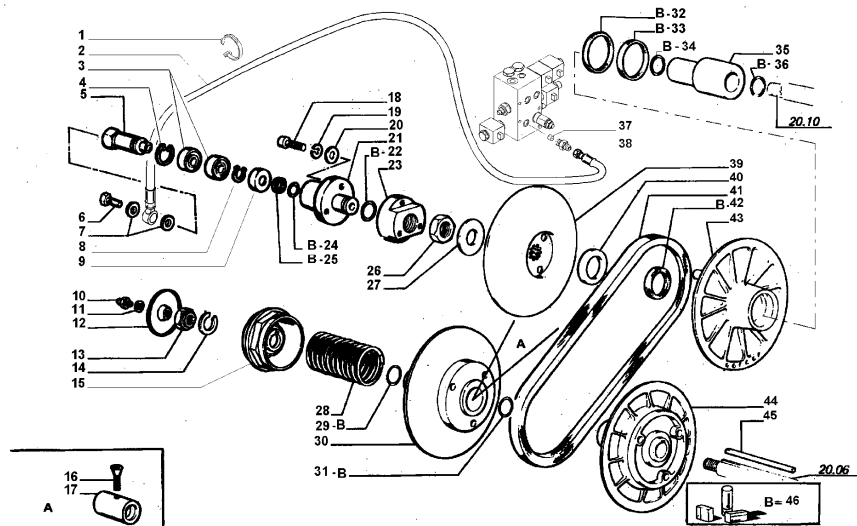
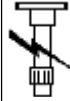
DRUM

20.0
3

DRUM VARIATOR

MTB "REV" 200 REV (551100001_551100038)

20.03



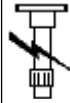
- | | | | | |
|----|-----------|--------------------|---|------------|
| 1 | 340481808 | ● 003404818090 (1) | 1 | CLAMP |
| 2 | 323161950 | | 1 | HOSE |
| 3 | 28996490 | | 1 | BEARING |
| 4 | 11059476 | | 1 | SPRING LOC |
| 5 | 322126750 | | 1 | UNION |
| 6 | 5103908 | | 1 | SCREW |
| 7 | 4858606 | | 1 | WASHER |
| 8 | 11066376 | | 1 | SPRING LOC |
| 9 | 300136161 | | 1 | WASHER |
| 10 | 350357803 | | 1 | NIPPLE, LU |
| 11 | 355530220 | | 1 | WASHER |
| 12 | 322301150 | | 1 | SHIELD |
| 13 | 322300650 | | 1 | NUT |
| 14 | 350354548 | | 1 | LOCK WASHE |
| 15 | 322300750 | | 1 | CONTAINER |
| 16 | 13806570 | | 1 | SCREW |
| 17 | 322108250 | | 1 | BEARING |
| 18 | 14305420 | | 1 | SCREW |
| 19 | 12035670 | ● 000120356710 (1) | 1 | LOCK WASHE |
| 20 | 355500715 | | 1 | WASHER |
| 21 | 321204250 | | 1 | SUPPORT |
| 22 | 350358101 | | 1 | GASKET |
| 23 | 321204350 | | 1 | NUT |
| 24 | 14452880 | | 1 | O-RING |
| 25 | 353587148 | | 1 | RING |
| 26 | 300136457 | | 1 | NUT |
| 27 | 300136411 | | 1 | LOCK WASHE |
| 28 | 353561149 | | 1 | SPRING |
| 29 | 350358719 | | 1 | GASKET |
| 30 | 322315900 | | 1 | DISC |
| 31 | 350358719 | | 1 | GASKET |
| 32 | 353587155 | | 1 | GASKET |

DRUM

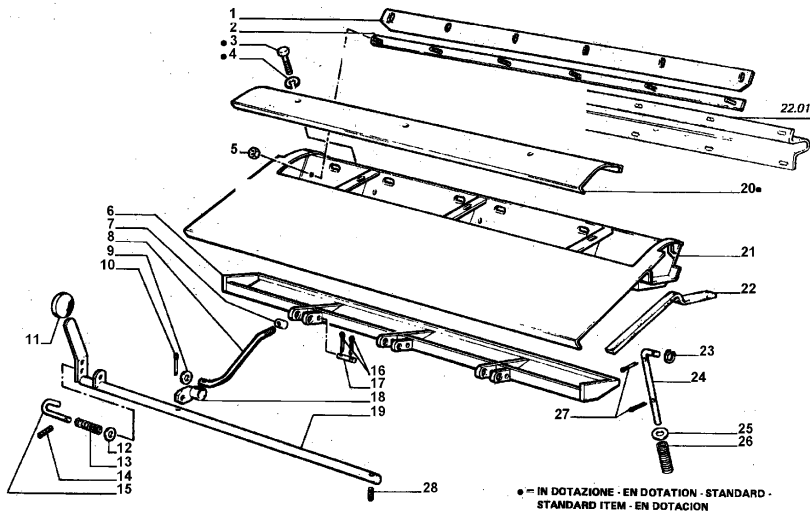
20.2
9_1

CONVEYING CONCAVE page 1

MTB "REV" 200 REV (551100001_551100038)



20.29_1



- | | | | | |
|----|-----------|--------------------|---|------------|
| 1 | 320736350 | | 1 | PLATE |
| 2 | 320715550 | | 1 | STRAP |
| 3 | 15540724 | ● 000155407240 (1) | 1 | SCREW |
| 4 | 12034771 | | 1 | LOCK WASHE |
| 5 | 16104111 | | 1 | NUT |
| 6 | 320713950 | | 1 | HATCH |
| 7 | 320714650 | | 1 | PIN |
| 8 | 320714350 | | 1 | TIE ROD |
| 9 | 355501120 | | 1 | WASHER |
| 10 | 10733601 | | 3 | LINCH PIN |
| 11 | 300063527 | ● 003234156505 (1) | 1 | KNOB |
| 12 | 355530220 | | 1 | WASHER |
| 13 | 350356127 | | 1 | SPRING |
| 14 | 13902070 | | 1 | DOWEL |
| 15 | 320753650 | | 1 | LATCH |
| 16 | 10733601 | | 2 | LINCH PIN |
| 17 | 350379344 | | 1 | DOWEL |
| 18 | 320714450 | | 1 | LEVER LEAD |
| 19 | 320749550 | | 1 | SHAFT |
| 20 | 320749250 | | 1 | PANEL |
| 21 | 321211050 | | 1 | CONVEYING |
| 22 | 320649950 | | 2 | GASKET |
| 23 | 11066276 | | 1 | SPRING LOC |
| 24 | 300132277 | | 1 | DOWEL |
| 25 | 355501530 | | 1 | WASHER |
| 26 | 353561142 | | 1 | SPRING |
| 27 | 10797001 | | 2 | LINCH PIN |
| 28 | 14606970 | | 1 | PLUG |

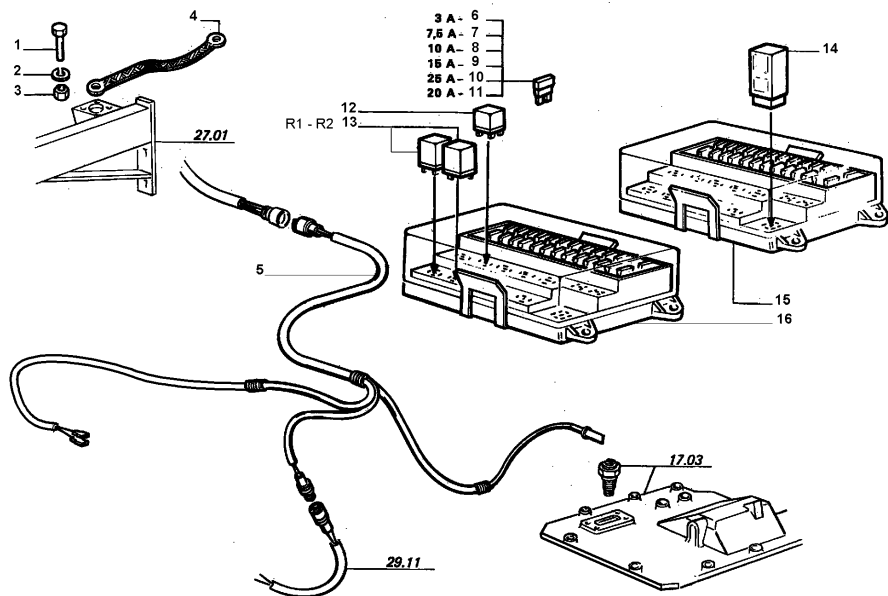
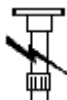
ELECTRIC SYSTEM

29.0
3_3

CONTROL CIRCUITS page 3

MTB "REV" 200 REV (551100001_551100038)

29.03_3



- | | | | |
|----|-----------|---|------------|
| 1 | 16043424 | 1 | SCREW |
| 2 | 12034571 | 1 | LOCK WASHE |
| 3 | 16100811 | 2 | NUT |
| 4 | 323011350 | 1 | EARTH WIRE |
| 5 | 323274000 | 1 | CABLE |
| 6 | 11054590 | 1 | FUSE |
| 7 | 11054890 | 1 | FUSE |
| 8 | 11054990 | 1 | FUSE |
| 9 | 11055090 | 1 | FUSE |
| 10 | 11055290 | 1 | FUSE |
| 11 | 11055190 | 1 | FUSE |
| 12 | 321908450 | 1 | SWITCH, RE |
| 13 | 321909150 | 1 | WARNING DE |
| 14 | 5151491 | 1 | FLASHER,12 |
| 15 | 322166000 | 1 | BOX |
| 16 | 322872900 | 1 | BOX |

ELECTRIC SYSTEM

29.3
3_1

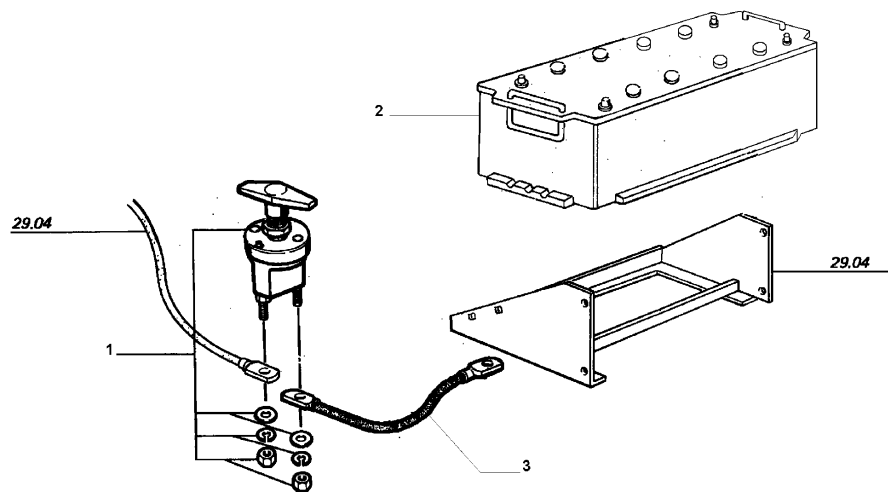
BATTERY DISENGAGING DEVICE

MTB "REV" 200 REV (551100001_551100038)



- 1 322153500
- 2 320445050
- 3 323061200

- 1 BATTERY RE
- 1 BATTERY
- 1 EARTH WIRE

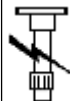


Elevator

19.0
3_4

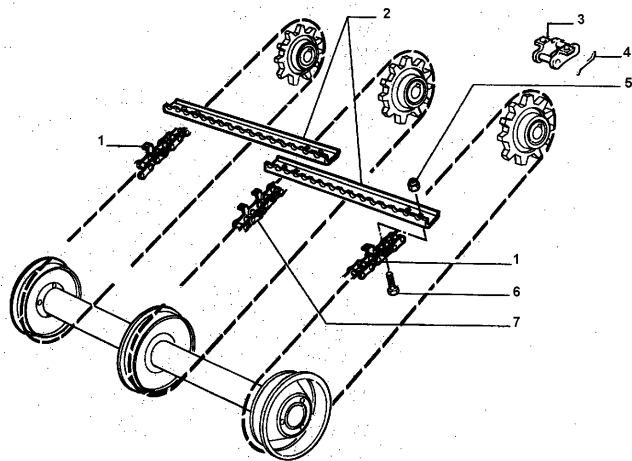
FRONT ELEVATOR (WITH FEEDER ROLLER) page4

MTB "REV" 200 REV (551100001_551100038)



19.03_4

- | | | | |
|---|-----------|---|------------|
| 1 | 344381276 | 2 | CHAIN |
| 2 | 322767650 | 1 | BAR |
| 3 | 344381256 | 1 | CONNECTING |
| 4 | 322766550 | 1 | RETAINER |
| 5 | 16104111 | 1 | NUT |
| 6 | 16043424 | 1 | SCREW |
| 7 | 344381277 | 1 | CHAIN |



323073600 = COMPLESSIVO CATENA ELEVATORE

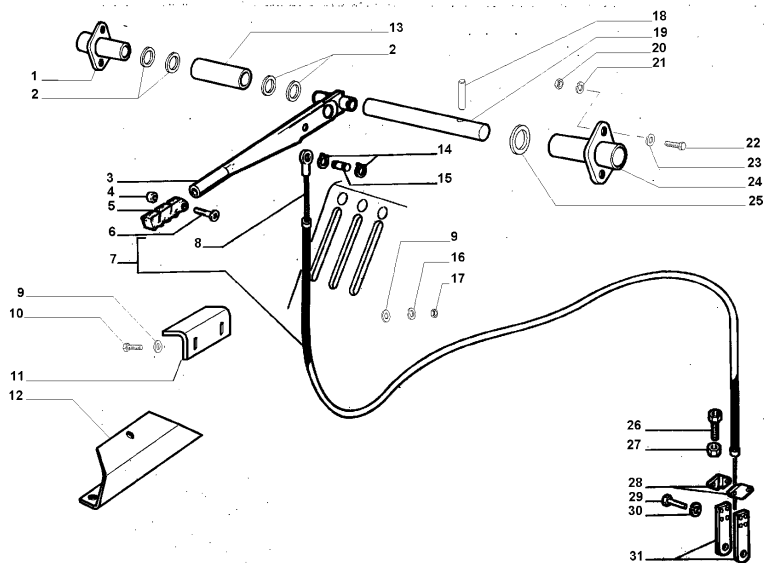
MTB "REV" 200 REV (551100001_551100038)



19.14_1

31 300137293

1 PLATE

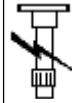


ENGINE INSTALLATION

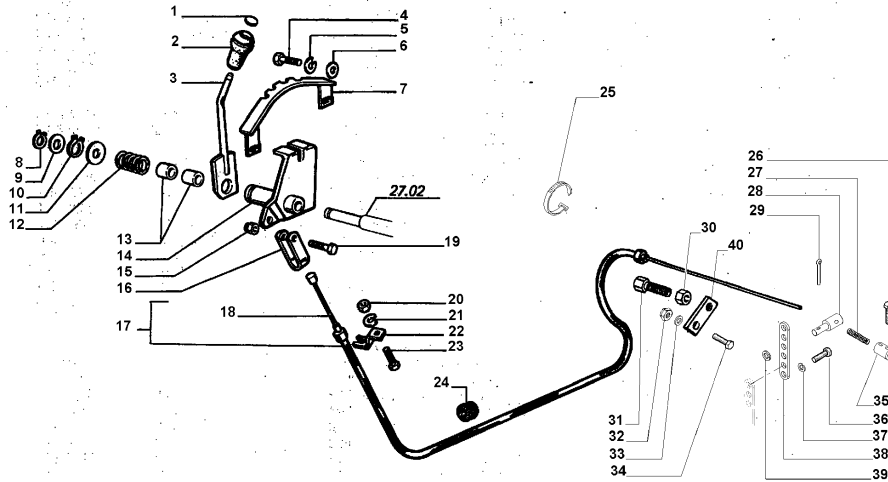
10.0
1_7

ENGINE INSTALLATION page7

MTB "REV" 200 REV (551100001_551100038)



10.01_7



- | | | | |
|----|-----------|---|------------|
| 1 | 321259750 | 1 | PLUG |
| 2 | 321253850 | 1 | HANDLE GRI |
| 3 | 322079950 | 1 | LEVER |
| 4 | 16043224 | 1 | SCREW |
| 5 | 12034571 | 1 | LOCK WASHE |
| 6 | 355500915 | 1 | WASHER |
| 7 | 322094550 | 1 | SECTOR |
| 8 | 11066476 | 1 | SPRING LOC |
| 9 | 355532620 | 1 | WASHER |
| 10 | 11067676 | 1 | SPRING LOC |
| 11 | 322011750 | 1 | WASHER |
| 12 | 350356174 | 1 | SPRING |
| 13 | 300015658 | 1 | BUSH |
| 14 | 322011850 | 1 | SUPPORT |
| 15 | 12574211 | 1 | NUT |
| 16 | 320430350 | 1 | BRIDLE |
| 17 | 322636200 | 1 | CABLE |
| 18 | 322636650 | 1 | THROTTLE |
| 19 | 16050621 | 1 | SCREW |
| 20 | 15896221 | 1 | NUT |
| 21 | 12035670 | 1 | LOCK WASHE |
| 22 | 320430750 | 1 | BRACKET, S |
| 23 | 10902224 | 1 | SCREW |
| 24 | 10397580 | 1 | RING |
| 25 | 340481806 | 1 | CLAMP |
| 26 | 10977524 | 1 | SCREW |
| 27 | 350356168 | 1 | SPRING |
| 28 | 300112819 | 1 | SUPPORT |
| 29 | 10734301 | 1 | LINCH PIN |
| 30 | 10788714 | 1 | NUT |
| 31 | 300031549 | 1 | SCREW |
| 32 | 12577211 | 1 | NUT |
| 33 | 355501120 | 1 | WASHER |

● 000120356710 (1)

ENGINE INSTALLATION

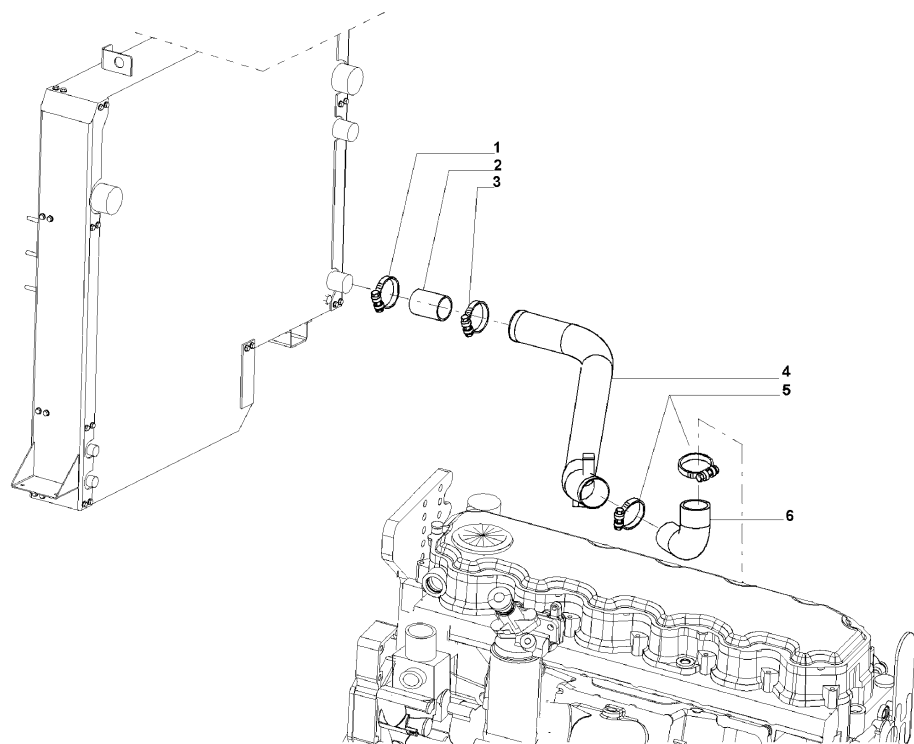
10.0
7_3

RADIATOR FILTER page 3

MTB "REV" 200 REV (551100001_551100038)



10.07_3



- 1 322885050
- 2 322984350
- 3 322885050
- 4 322989250
- 5 322885050
- 6 322883750

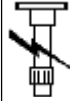
- 4 CLAMP
- 1 SLEEVE
- CLAMP
- 1 PIPE
- CLAMP
- 1 CRANKED TU

ENGINE INSTALLATION

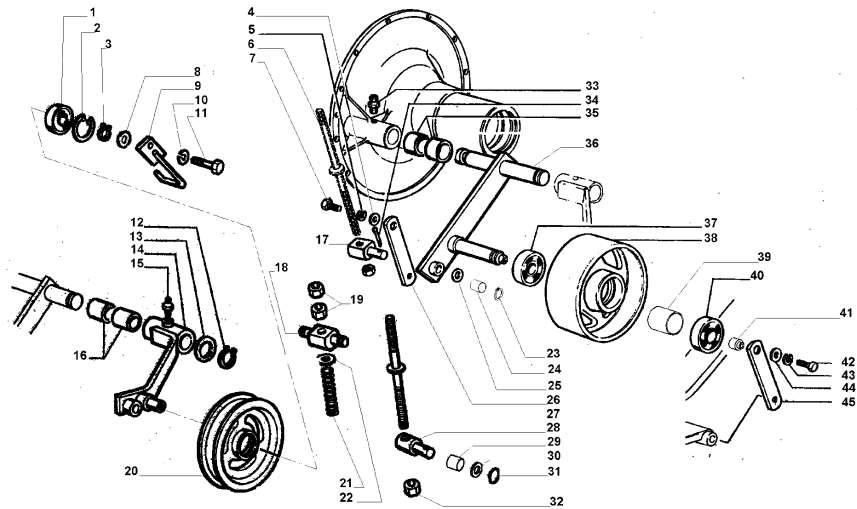
10.0
9_2

POWER TAKE-OFF page 2

MTB "REV" 200 REV (551100001_551100038)



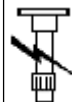
10.09_2



- | | | | | |
|----|-----------|--------------------|---|------------|
| 35 | 322100250 | | 1 | BEARING |
| 36 | 322950350 | | 1 | SUPPORT |
| 37 | 28042320 | | 1 | BEARING |
| 38 | 300112255 | ● 003001122553 (1) | 1 | TENSIONER, |
| 39 | 322956850 | | 1 | BUSH |
| 40 | 28042320 | | 1 | BEARING |
| 41 | 322950250 | | 1 | BUSH |
| 42 | 15232721 | | 1 | SCREW |
| 43 | 12034771 | | 1 | LOCK WASHE |
| 44 | 355530830 | | 1 | WASHER |
| 45 | 322956950 | | 1 | SUPPORT |

Engine IVECO TIER 2 (551100001_551100007)

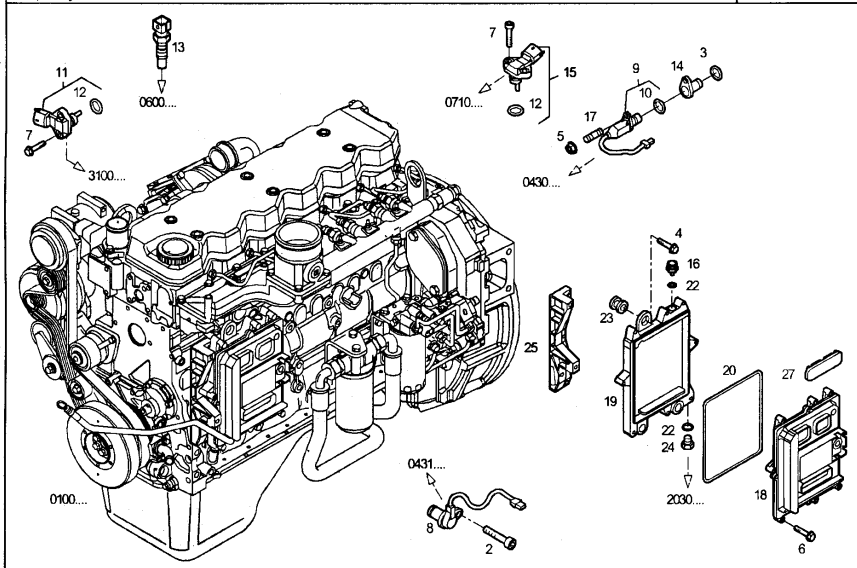
Electronic control unit



MTB "REV" 200 REV (551100001_551100038)

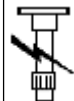
ELECTRONIC CONTROL UNIT
 Centralina elettronica
 Groupe injection électronique
 Elektron. Einspritz.
 Grupo inyección electrónica

1700.014



- | | | | |
|----|-----------|---|---------|
| 2 | 4899082 | 3 | SCREW |
| 3 | 17278881 | 1 | O-RING |
| 4 | 16689324 | 3 | SCREW |
| 5 | 17037821 | 1 | NUT |
| 6 | | | NUT |
| 7 | 4899110 | 4 | SCREW |
| 8 | 4890189 | 1 | SENSOR |
| 9 | 4890190 | 1 | SENSOR |
| 10 | 17278481 | 1 | O-RING |
| 11 | 4890193 | 1 | SENSOR |
| 12 | 4895477 | 2 | O-RING |
| 13 | 4897224 | 1 | SENSOR |
| 14 | 4892255 | 1 | UNION |
| 15 | 504073323 | 1 | SENSOR |
| 16 | 4896542 | 1 | UNION |
| 17 | 4895157 | 1 | SCREW |
| 19 | 4897682 | 1 | SUPPORT |
| 20 | 4896811 | 1 | GASKET |
| 22 | 93156604 | 2 | GASKET |
| 23 | 4899791 | 3 | BLOCK |
| 24 | 4890964 | 1 | UNION |
| 25 | 4897685 | 1 | CONSOLE |
| 27 | | | CONSOLE |

Engine IVECO TIER 2 (551100001_551100007)



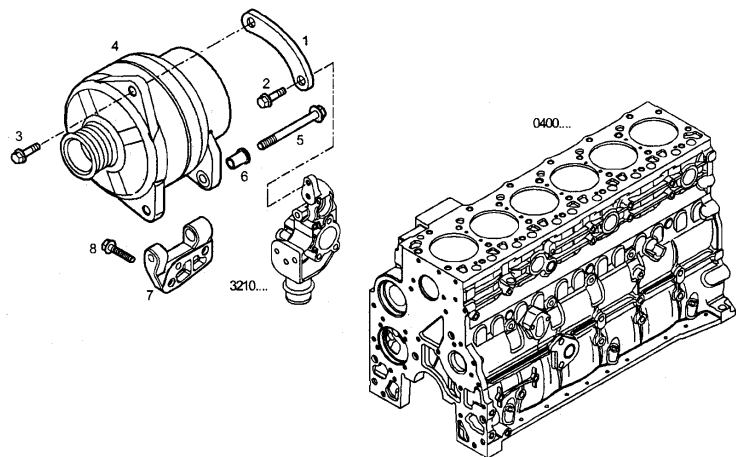
MTB "REV" 200 REV (551100001_551100038)

Generator

GENERATOR

Generatore
Génératrice
Generator
Generador

4000.141



- 1 504073701
- 2 18139424
- 3 16586425
- 4 504075799
- 5 16593124
- 6 504060839
- 7 504074091
- 8 16586725

- 1 BRACKET
- 1 SCREW
- SCREW
- 1 ALTERNATOR
- 1 SCREW
- 1 SPACER
- 1 SUPPORT
- 3 SCREW

Engine IVECO TIER 2 (551100001_551100007)

MTB "REV" 200 REV (551100001_551100038)



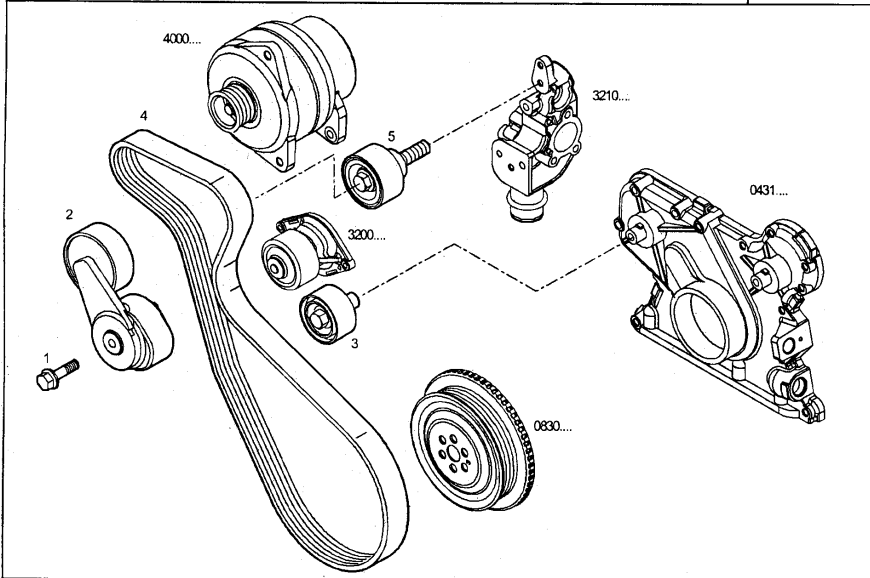
Pulleys and belts

- | | | | | |
|---|-----------|--------------------|---|------------|
| 1 | 16692824 | | 1 | SCREW |
| 2 | 504065874 | ● 005043157850 (1) | 1 | TENSIONER, |
| 3 | 504065878 | | 1 | PULLEY |
| 4 | 4898546 | | 1 | BELT |
| 5 | 504065877 | | 1 | PULLEY |

PULLEYS AND BELTS

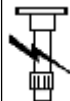
Pulegge e cinghie
Poulies et courroies
Riemenscheibe
Poleas y correas

3240.146



Engine IVECO TIER 2 (551100001_551100007)

MTB "REV" 200 REV (551100001_551100038)

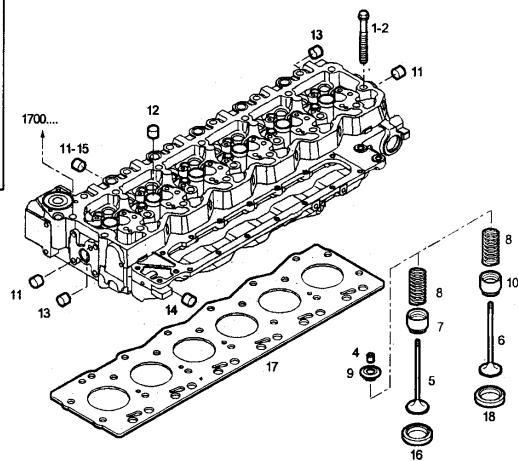
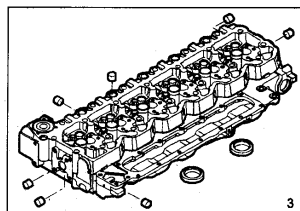


Cylinder head

CYLINDER HEAD

Testa cilindri
Culasse
Zylinderkopf
Culata de cilindro

0600.173



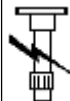
- | | | | |
|----|---------|----|------------|
| 1 | 4891024 | 12 | SCREW |
| 2 | 4891025 | 14 | SCREW |
| 3 | 2831279 | 1 | HEAD |
| 4 | 4899081 | 48 | COTTER, RO |
| 5 | 4895051 | 12 | VALVE |
| 6 | 4895052 | 12 | VALVE |
| 7 | 4895072 | 12 | PROTECTION |
| 8 | 4895073 | 24 | SPRING |
| 9 | 4895074 | 24 | CUP |
| 10 | 4895411 | 12 | PROTECTION |
| 11 | 4895085 | 13 | PLUG |
| 12 | 4895089 | 11 | PLUG |
| 13 | 4895406 | 7 | PLUG |
| 14 | 4895407 | 2 | PLUG |
| 15 | 4895408 | 2 | PLUG |
| 16 | 4897106 | 12 | VALVE SEAT |
| 17 | 2830704 | 1 | GASKET |
| 18 | 4897578 | | VALVE SEAT |
- 000028314730 (24)

Engine IVECO TIER 3 (551100008_551109999)

100-02

Crankcase

MTB "REV" 200 REV (551100001_551100038)



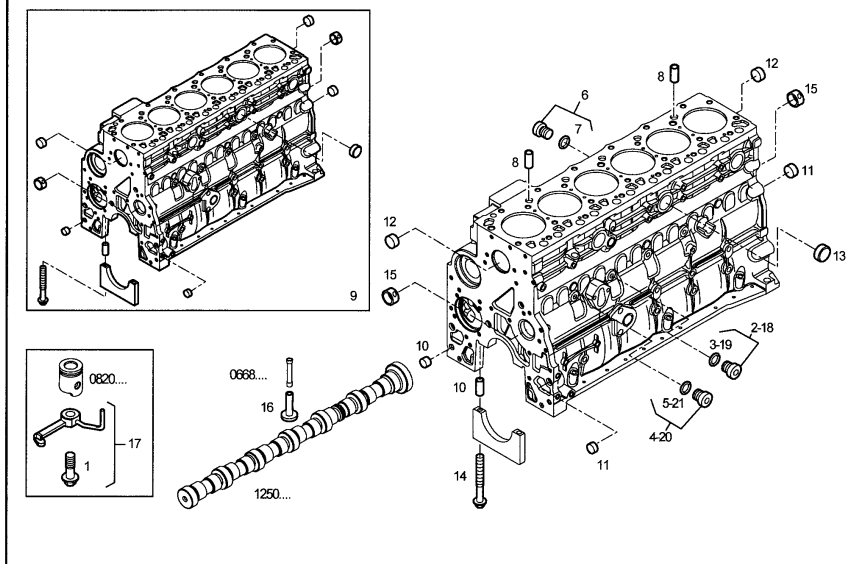
10002

F4GE9684B*J603

CRANKCASE
Basamento
Bâti
Kurbelgehäuse
Bloque de cilindros

0401.007

1/2



- | | | | |
|----|-----------|----|------------|
| 1 | 4894218 | 1 | BOLT, BANJ |
| 2 | 4895605 | 2 | PLUG |
| 3 | 4899115 | 2 | O-RING |
| 4 | 4899009 | 2 | PLUG |
| 5 | 4899072 | 2 | O-RING |
| 6 | 4895392 | 2 | PLUG |
| 7 | 4895393 | 2 | O-RING |
| 8 | 4895049 | 2 | DOWEL |
| 9 | 2830076 | 1 | CYLINDER B |
| 10 | 4899026 | 14 | DOWEL |
| 11 | 4895039 | 3 | PLUG |
| 12 | 4895038 | 6 | PLUG |
| 13 | 4895228 | 3 | PLUG |
| 14 | 4891353 | 14 | SCREW |
| 15 | 4895040 | 2 | BEARING |
| 16 | 4895180 | 12 | CAP, WASHE |
| 17 | 504054307 | 6 | NOZZLE,LUB |
| 18 | 4895605 | 1 | PLUG |
| 19 | 4899115 | 1 | O-RING |
| 20 | 4899009 | 1 | PLUG |
| 21 | 4899072 | 1 | O-RING |

CLICK HERE TO **DOWNLOAD** THE COMPLETE MANUAL

- Thank you very much for reading the preview of the manual.
- You can download the complete manual from: www.heydownloads.com by clicking the link below



- Please note: If there is no response to CLICKING the link, please download this PDF first and then click on it.

CLICK HERE TO **DOWNLOAD** THE COMPLETE MANUAL

Engine IVECO TIER 3 (551100008_551109999)

100-
12

Intake manifold

MTB "REV" 200 REV (551100001_551100038)



10012

- 1 504064867
- 2 4899039
- 3 2992545

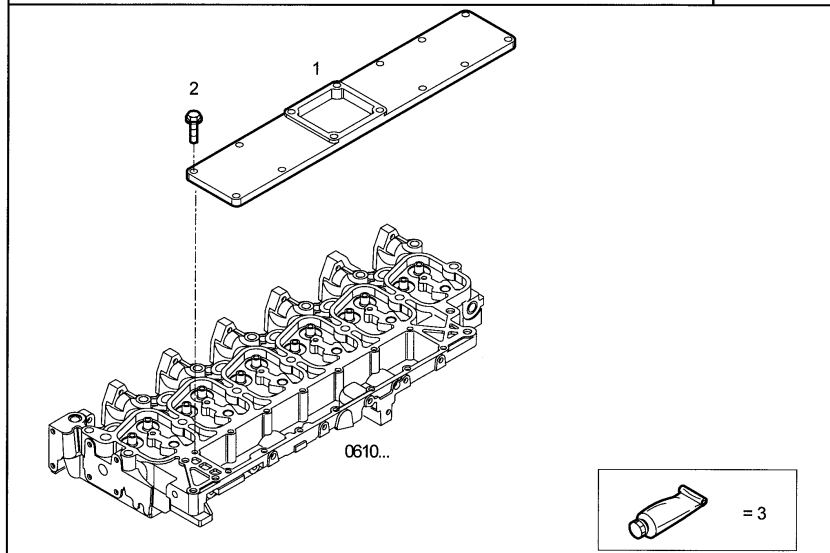
- 1 COVER
- 10 SCREW
- 1 ADHESIVE

F4GE9684B*J603

INTAKE MANIFOLD
Collettore aspirazione
Conduit d'admission
Ansaugrohr
Colector de admisión

0710.204

1/1



Engine IVECO TIER 3 (551100008_551109999)

100-
21

PUMP

MTB "REV" 200 REV (551100001_551100038)



10021

F4GE9684B*J603

INJECTION PUMP DRIVE

Comando pompa iniezione

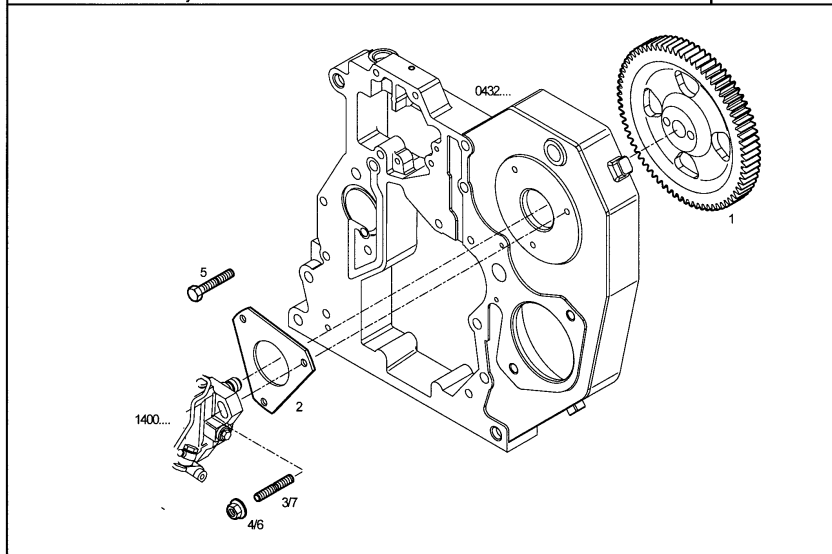
Commande de pompe d'injection

Einspritzpumpe Antrieb

Accionamiento bomba de inyección

1422.002

1/1



- 1 4896616
- 2 504083433
- 3 504065125
- 4 17044735
- 5 504065100
- 6 17044735
- 7 504065125

- 1 GEAR
- 1 GASKET
- 2 STUD
- 2 NUT
- 1 SCREW
- 3 NUT
- 3 STUD

Engine IVECO TIER 3 (551100008_551109999)

100-
31

OIL DIPSTICK AND FILLER PIPE

MTB "REV" 200 REV (551100001_551100038)



10031

- | | | | | |
|---|-----------|--------------------|---|------------|
| 1 | 504067540 | ● 003230540500 (1) | 1 | OIL LEVEL |
| 2 | 504070964 | | 1 | OIL DIPSTI |
| 3 | 4899036 | | 3 | PLUG |
| 4 | 4897330 | | 1 | PLUG |
| 5 | 4895610 | | 1 | O-RING |

F4GE9684B*J603

OIL DIPSTICK & FILLER PIPE

Compl. Controllo e rif. Olio

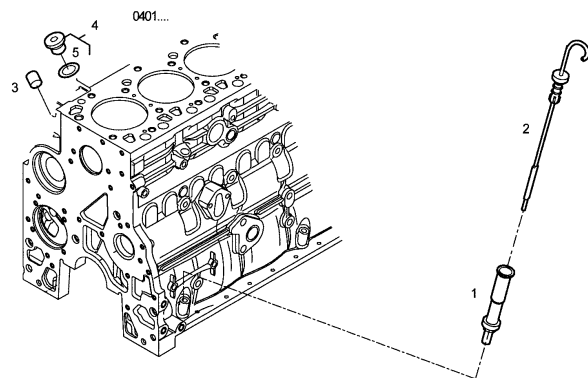
Jauge niveau huile & tube guide

Ölmesstab & Ölmesstabrohr

Varilla nivel aceite & Tubo

2700.047

1/1

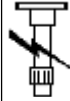


Engine IVECO TIER 3 (551100008_551109999)

100-
41

Water lines

MTB "REV" 200 REV (551100001_551100038)



10041

1 4895078

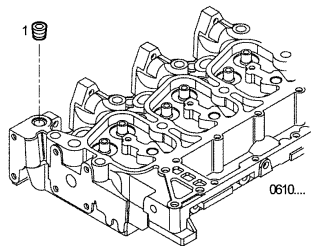
1 PLUG

F4GE9684B*J603

BLEEDER TUBING
Tubazioni disaerazione
Tuyauterie degazage
Entlueftungsrohre
Tuberia purga aire

3252.008

1/1



Engine IVECO TIER 3 (551100008_551109999)

100-51

STARTER MOTOR

MTB "REV" 200 REV (551100001_551100038)



10051

F4GE9684B*J603

STARTER MOTOR (COMPONENTS)

Motorino di avviamento (componenti)

Démarrreur (composants)

Anlasser (Bestandteile)

Motor de arranque (piezas)

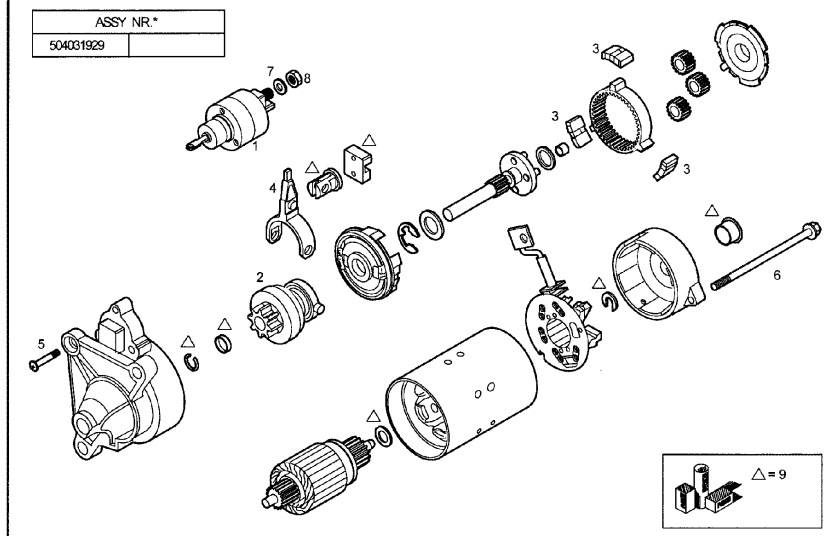
3630.048

1/1

- 1 9971885
- 2 8094570
- 3 8094569
- 4 42537069
- 5 42534008
- 6 42537076
- 7 42534012
- 8 1306937
- 9 42537082

● N.A. (1)

- 1 ELECTROMAG
- 1 PINION
- 1 BRUSH
- 1 YOKE
- 3 SCREW
- 2 SCREW
- 2 SPRING LOC
- 2 NUT
- 1 KIT ENGINE



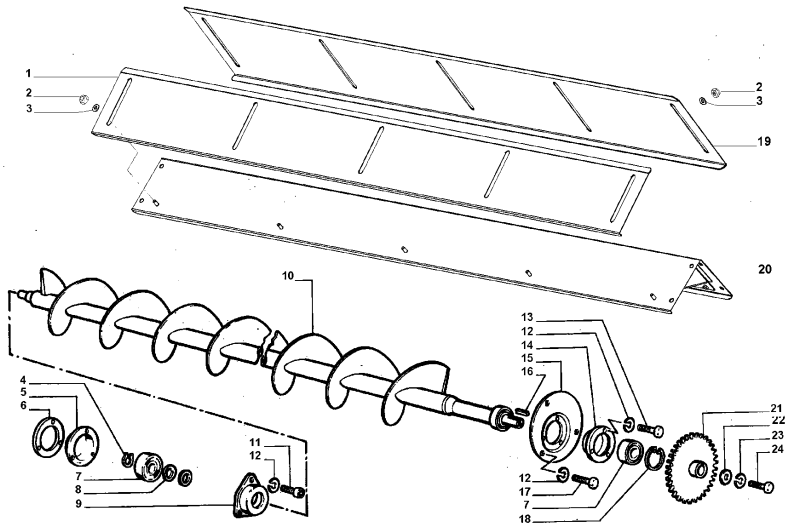
GRAIN TANK AND FAIRINGS

25.0
6_1

GRAIN TANK UNLOADING AUGER

MTB "REV" 200 REV (551100001_551100038)

25.06_1



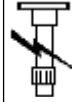
- | | | | |
|----|-----------|---|------------|
| 1 | 323046150 | 1 | SPRING PLA |
| 2 | 16104111 | 1 | NUT |
| 3 | 355520830 | 1 | WASHER |
| 4 | 11067876 | 1 | SPRING LOC |
| 5 | 300112176 | 1 | COVER |
| 6 | 321944750 | 1 | SHIM |
| 7 | 28996530 | 1 | BEARING |
| 8 | 355538710 | 1 | WASHER |
| 9 | 300011962 | 1 | SUPPORT |
| 10 | 320603350 | 1 | AUGER |
| 11 | 14420221 | 1 | SCREW |
| 12 | 12034671 | 1 | LOCK WASHE |
| 13 | 11106221 | 1 | SCREW |
| 14 | 321853450 | 1 | SUPPORT |
| 15 | 321853550 | 1 | DISC |
| 16 | 350384428 | 1 | KEY |
| 17 | 11106021 | 1 | SCREW |
| 18 | 11061076 | 1 | SPRING LOC |
| 19 | 323046150 | 1 | SPRING PLA |
| 20 | 323045950 | 1 | TROUGH |
| 21 | 300128263 | 1 | GEAR |
| 22 | 355511240 | 1 | WASHER |
| 23 | 12034771 | 1 | LOCK WASHE |
| 24 | 11112424 | 1 | SCREW |

GRAIN TANK AND FAIRINGS

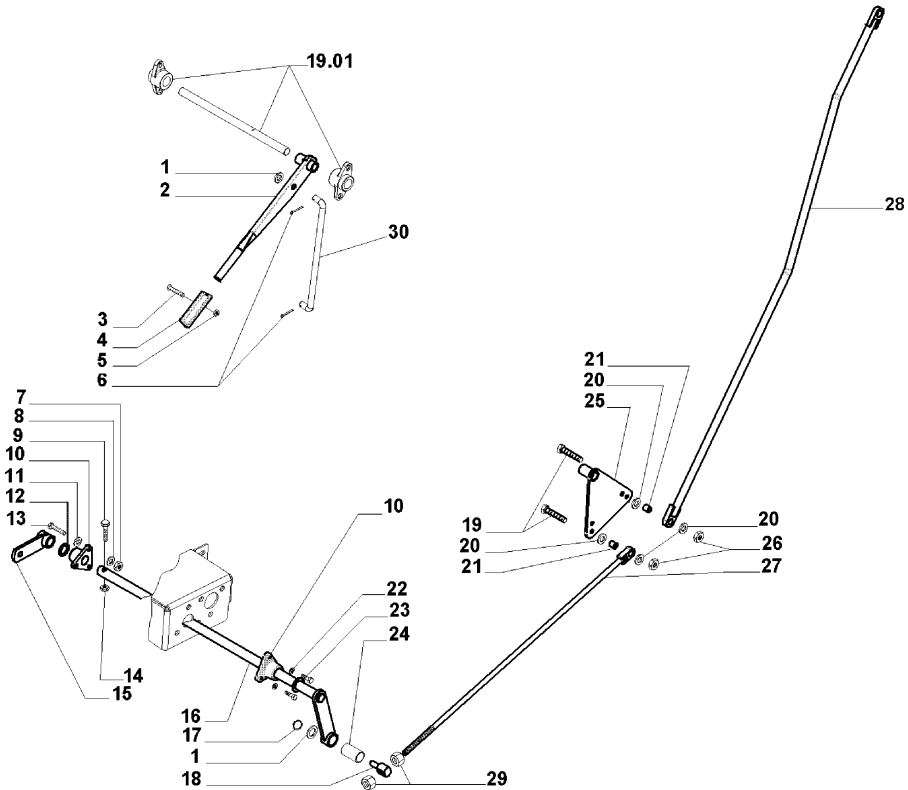
25.0
8_1

DRIVE AND UNLOADING TANK CLUTCH page 1

MTB "REV" 200 REV (551100001_551100038)

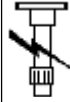


25.08_1

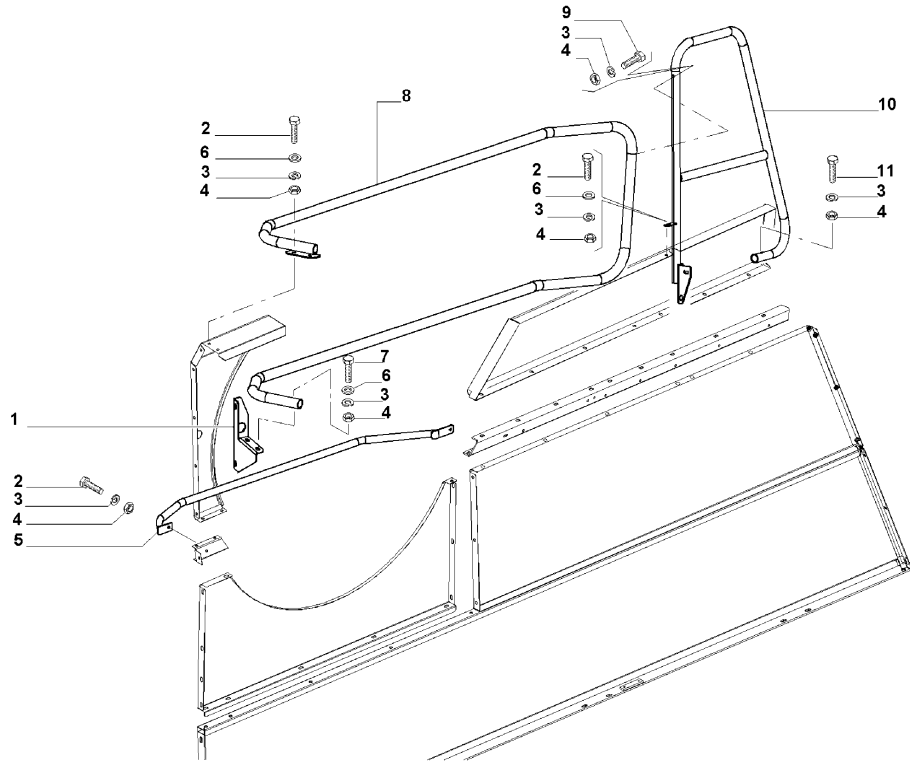


- | | | | | |
|----|------------------|--------------------|---|------------|
| 1 | 355531220 | | 1 | WASHER |
| 2 | 321274850 | | 1 | LEVER LEAD |
| 3 | 13272411 | | 1 | SCREW |
| 4 | 321254150 | ● 003234115500 (1) | 1 | HANDLE GRI |
| 5 | 10794014 | ● 000107940110 (1) | 1 | NUT |
| 6 | 10734601 | | 1 | LINCH PIN |
| 7 | 16100811 | | 1 | NUT |
| 8 | 322358 | | 1 | WASHER |
| 9 | 11107221 | | 1 | SCREW |
| 10 | 300033199 | | 1 | SUPPORT |
| 11 | 355510820 | | 1 | WASHER |
| 12 | 355531220 | | 1 | WASHER |
| 13 | 16043821 | | 1 | SCREW |
| 14 | 12577211 | | 1 | NUT |
| 15 | 322010650 | | 1 | COUNTER WE |
| 16 | 323282850 | | 1 | LEVER |
| 17 | 11066276 | | 1 | SPRING LOC |
| 18 | 322010550 | | 1 | BALL JOINT |
| 19 | | | 1 | BALL JOINT |
| 20 | 355501120 | | 1 | WASHER |
| 21 | 340415099 | | 1 | BUSH |
| 22 | 355500815 | | 1 | WASHER |
| 23 | 16043821 | | 1 | SCREW |
| 24 | 340449005 | | 1 | SILENTBLOC |
| 25 | 323282050 | | 1 | SUPPORT |
| 26 | 11701711 | | 1 | NUT |
| 27 | 323284050 | | 1 | BAR |
| 28 | 0032327875
00 | | 1 | LEVER |
| 29 | 12163211 | | 1 | NUT |
| 30 | 0032327965
00 | | 1 | TIE ROD |

MTB "REV" 200 REV (551100001_551100038)



25.21_4



- | | | | |
|----|-----------|---|------------|
| 1 | 322945850 | 1 | STIRRUP |
| 2 | 16043421 | 1 | SCREW |
| 3 | 12034571 | 1 | LOCK WASHE |
| 4 | 16100811 | 1 | NUT |
| 5 | 322945550 | 1 | SHIELD |
| 6 | 355500920 | 1 | WASHER |
| 7 | 16044021 | 1 | SCREW |
| 8 | 322944850 | 1 | SHIELD |
| 9 | 16044521 | 1 | SCREW |
| 10 | 322944950 | 1 | SHIELD |
| 11 | 16044321 | 1 | SCREW |

HYDRAULIC SYSTEM

28.0
4_2

REEL CIRCUIT HYDRAULIC page 2

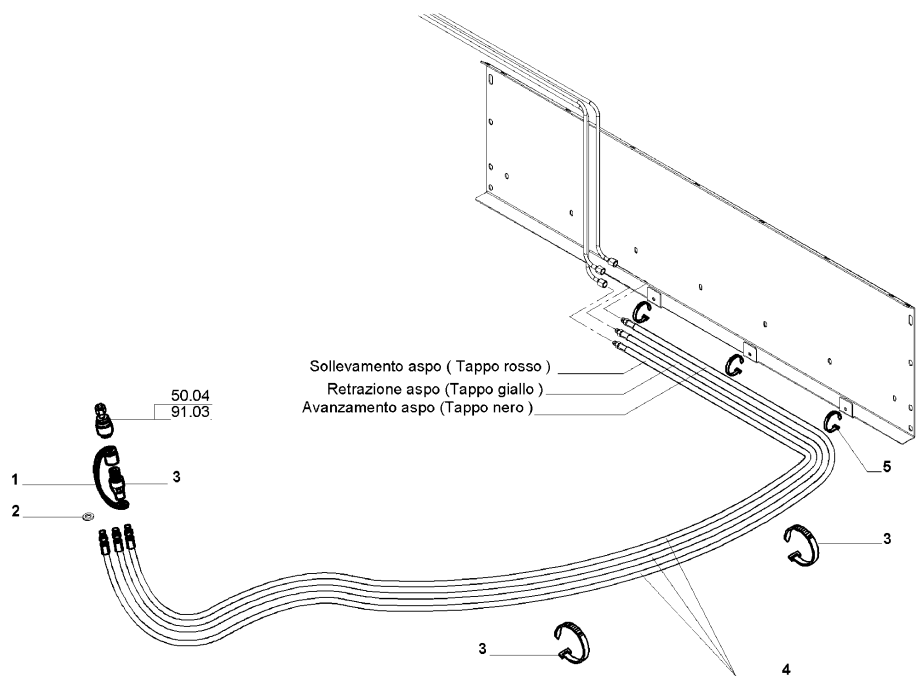
MTB "REV" 200 REV (551100001_551100038)



28.04_2

- 1 322043850
- 2 322731950
- 3 322043050
- 4 323243050
- 5 340481806

- 1 COVER
- 1 WASHER
- 1 HITCH
- 3 PIPE
- 5 CLAMP

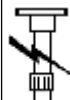


STRAW WALKERS

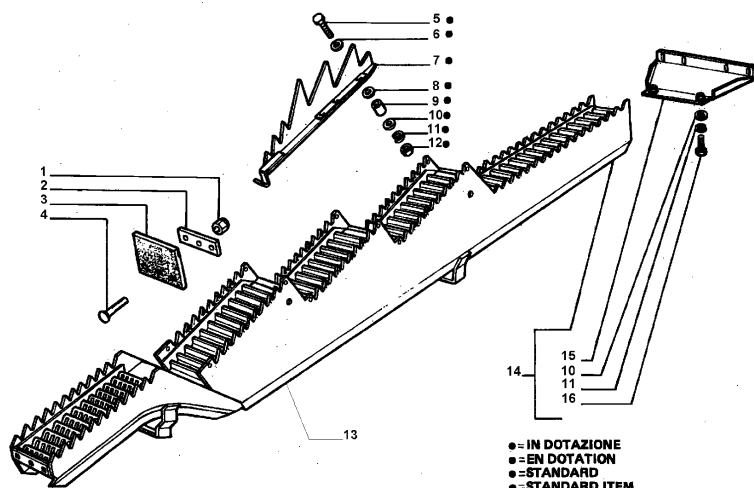
21.0
4_1

STRAW WALKER

MTB "REV" 200 REV (551100001_551100038)



21.04_1



● - IN DOTAZIONE
● - EN DOTATION
● - STANDARD
● - STANDARD ITEM
● - EN DOTACION

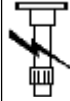
- | | | | | |
|----|-----------|--------------------|---|------------|
| 1 | 16104121 | | 1 | NUT |
| 2 | 320834650 | | 1 | STRAP |
| 3 | 320834550 | | 1 | PANEL |
| 4 | 350342512 | | 1 | SCREW |
| 5 | 15212721 | | 1 | SCREW |
| 6 | 355500715 | | 1 | WASHER |
| 7 | 320691950 | | 1 | STRAW ELEV |
| 8 | 355500715 | | 1 | WASHER |
| 9 | 344158136 | | 1 | BUSH |
| 10 | 355500715 | | 2 | WASHER |
| 11 | 12035670 | ● 000120356710 (2) | 2 | LOCK WASHE |
| 12 | 15896221 | | 1 | NUT |
| 13 | 322315650 | ● 003223348000 (1) | 1 | STRAW WALK |
| 14 | 322334800 | | 1 | STRAW WALK |
| 15 | 322315450 | | 1 | PANEL |
| 16 | 15212721 | | 1 | SCREW |

STRAW WALKERS

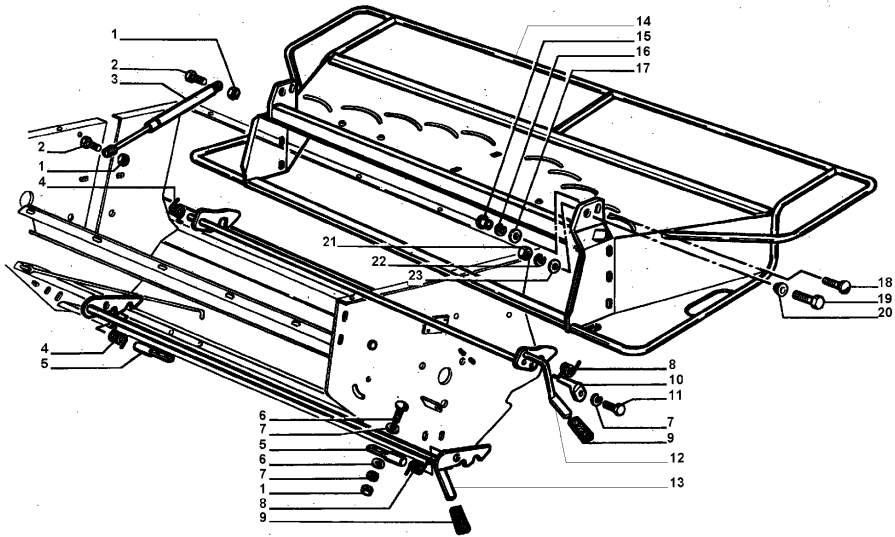
21.2
4.14

STRAW CHOPPER-SPREADER HOUSING

MTB "REV" 200 REV (551100001_551100038)



21.24.14



- | | | | | |
|----|-----------|--------------------|---|------------|
| 1 | 16100811 | | 1 | NUT |
| 2 | 16043621 | | 1 | SCREW |
| 3 | 322325550 | | 1 | SPRING |
| 4 | 350356937 | | 1 | SPRING |
| 5 | 322328450 | | 1 | PIN |
| 6 | 350342512 | | 1 | SCREW |
| 7 | 355510810 | ● 003555108200 (1) | 1 | WASHER |
| 8 | 350356936 | | 1 | SPRING |
| 9 | 322328750 | | 1 | HANDLE GRI |
| 10 | 322413450 | | 1 | PIVOT |
| 11 | 350342542 | | 1 | SCREW |
| 12 | 322347450 | | 1 | LEVER |
| 13 | 322347550 | | 1 | LEVER |
| 14 | 322342450 | | 1 | BODY |
| 15 | 322328550 | | 1 | THIMBLE |
| 16 | 12034771 | | 1 | LOCK WASHE |
| 17 | 355501330 | | 1 | WASHER |
| 18 | 350342542 | | 1 | SCREW |
| 19 | 11118921 | ● 000111189310 (1) | 1 | SCREW |
| 20 | 322268450 | | 1 | BUSH |
| 21 | 12163311 | | 1 | NUT |
| 22 | 12034871 | | 1 | LOCK WASHE |
| 23 | 355532830 | | 1 | WASHER |

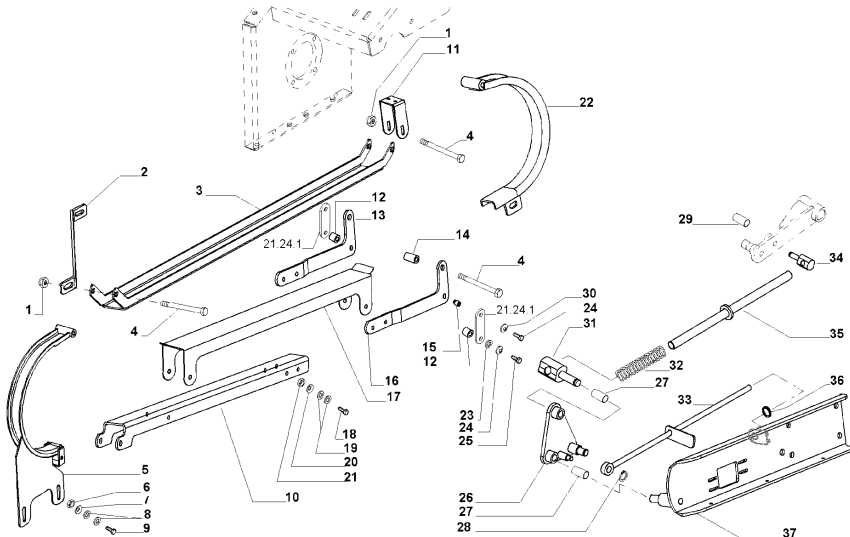
STRAW WALKERS

21.2
4.7

STRAW CHOPPER-SUPPORTS page 2

MTB "REV" 200 REV (551100001_551100038)


21.24.7



- | | | | |
|----|-----------|---|------------|
| 1 | 16104111 | 1 | NUT |
| 2 | 322847150 | 1 | BASE PLATE |
| 3 | 322954750 | 1 | SKATE |
| 4 | 16044521 | 1 | SCREW |
| 5 | 322954850 | 1 | SKATE |
| 6 | 11701711 | 1 | NUT |
| 7 | 140045 | 1 | WASHER |
| 8 | 355501120 | 1 | WASHER |
| 9 | 11106421 | 1 | SCREW |
| 10 | 322956150 | 1 | SKATE |
| 11 | 322837950 | 1 | YOKE |
| 12 | 340415607 | 1 | BUSH |
| 13 | 322846650 | 1 | STIRRUP |
| 14 | 322936450 | 1 | BUSH |
| 15 | 322839450 | 1 | BUSH |
| 16 | 322846750 | 1 | STIRRUP |
| 17 | 322956450 | 1 | PANEL |
| 18 | 10902221 | 1 | SCREW |
| 19 | 355500715 | 1 | WASHER |
| 20 | 322357 | 1 | WASHER |
| 21 | 15896221 | 1 | NUT |
| 22 | 322955650 | 1 | SKATE |
| 23 | 355510820 | 1 | WASHER |
| 24 | 322358 | 1 | WASHER |
| 25 | 16043221 | 1 | SCREW |
| 26 | 322835950 | 1 | LEVER |
| 27 | 322878750 | 1 | BEARING |
| 28 | 16160976 | 1 | SPRING LOC |
| 29 | 322878750 | 1 | BEARING |
| 30 | 12034571 | 1 | LOCK WASHE |
| 31 | 322835850 | 1 | BALL JOINT |
| 32 | 353561157 | 1 | SPRING |
| 33 | 322836750 | 1 | ROD |

TRACTION

11.1
2



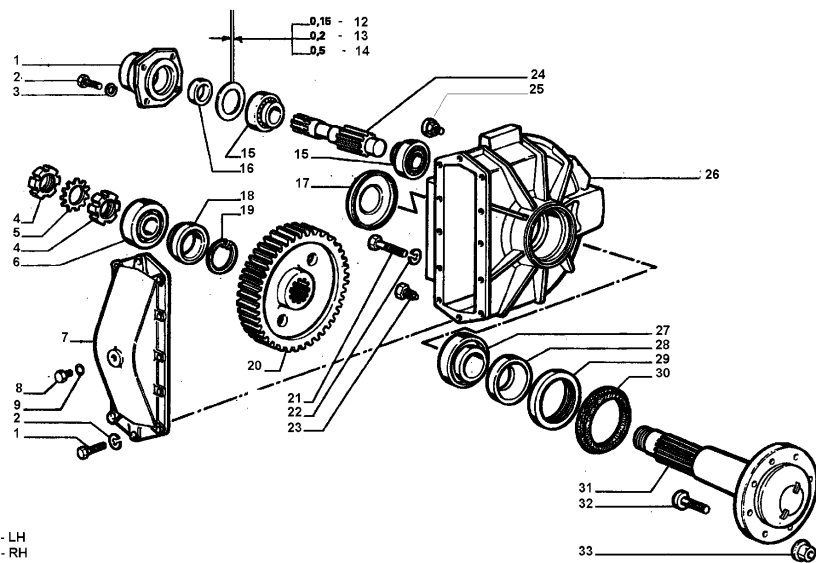
11.12

REDUCERS

MTB "REV" 200 REV (551100001_551100038)

33 320630350

1 NUT

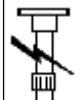


TRACTION

11.1
9/A

PARKING BRAKE ELEMENTS

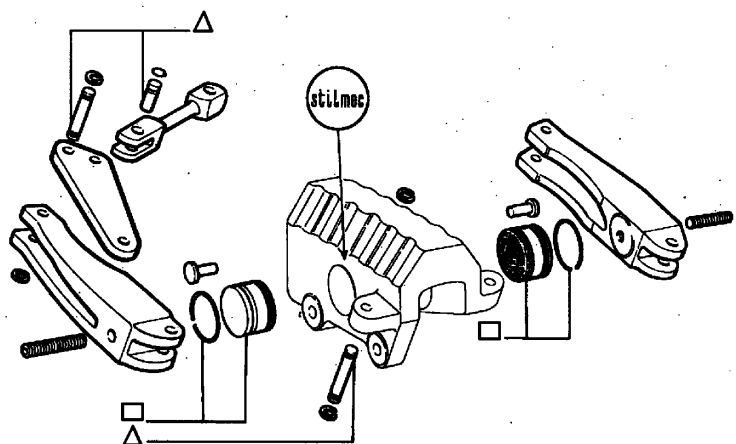
MTB "REV" 200 REV (551100001_551100038)



11.19/A

- 1 322482200
- 2 321155400

- 1 SET OF PAS
- 1 SET OF PLU

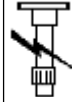


TRACTION

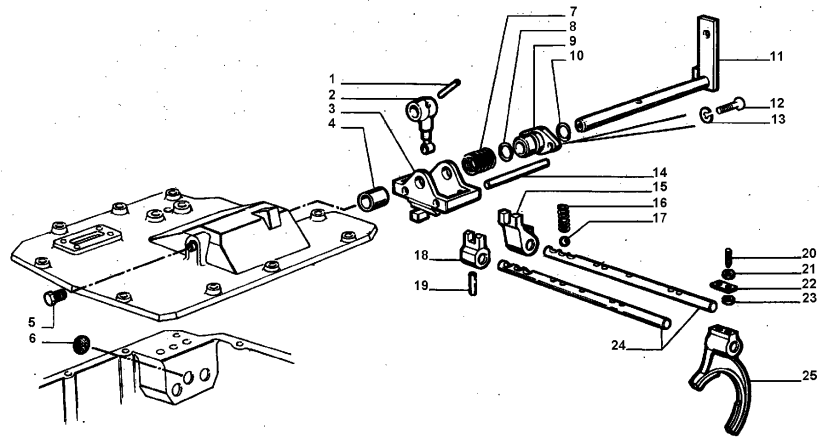
17.0
3_2

GEAR BOX page 2

MTB "REV" 200 REV (551100001_551100038)



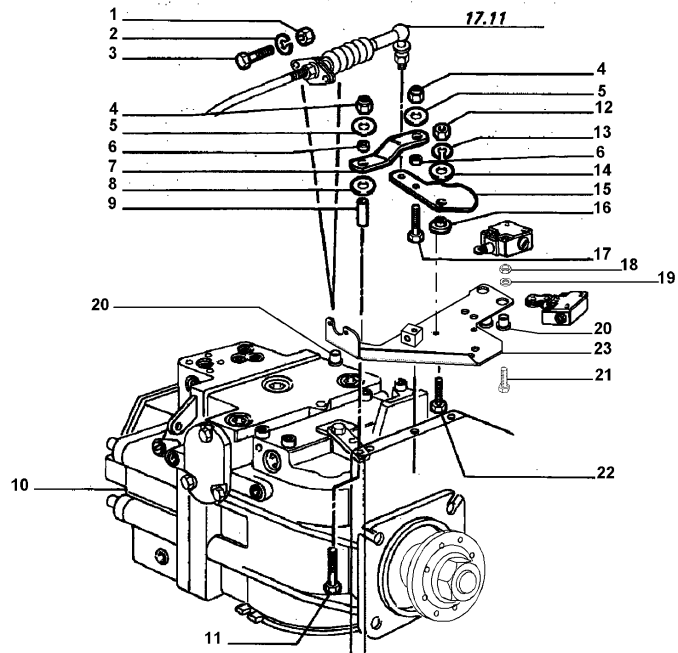
17.03_2



- | | | | |
|----|-----------|---|------------|
| 1 | 350379621 | 1 | DOWEL |
| 2 | 321898250 | 1 | LEVER |
| 3 | 321898650 | 1 | PLATE |
| 4 | 321899050 | 1 | SPACER |
| 5 | 14325001 | 1 | PLUG |
| 6 | 10159004 | 1 | PLUG |
| 7 | 321898950 | 1 | SPRING |
| 8 | 14458580 | 1 | O-RING |
| 9 | 322057050 | 1 | SUPPORT |
| 10 | 14457581 | 1 | O-RING |
| 11 | 321898050 | 1 | SHAFT |
| 12 | 16043424 | 1 | SCREW |
| 13 | 12034571 | 1 | LOCK WASHE |
| 14 | 321898150 | 1 | PIN |
| 15 | 321898450 | 1 | HUB |
| 16 | 321925050 | 1 | SPRING |
| 17 | 20063570 | 1 | BALL |
| 18 | 321898350 | 1 | HUB |
| 19 | 14604370 | 1 | PLUG |
| 20 | 322686850 | 1 | SCREW |
| 21 | 16102314 | 1 | NUT |
| 22 | 322686950 | 1 | PLATE |
| 23 | 16102314 | 1 | NUT |
| 24 | 322099650 | 1 | ROD |
| 25 | 321872850 | 1 | YOKE |

MTB "REV" 200 REV (551100001_551100038)

17.10_1



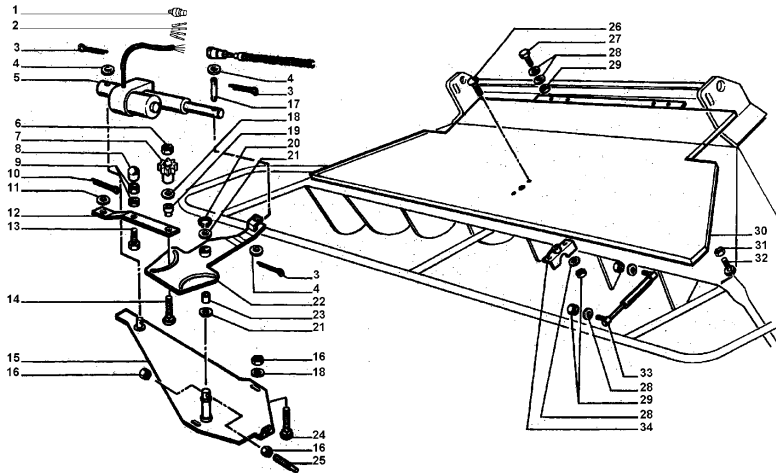
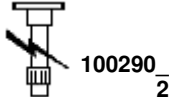
1	15896221		1	NUT
2	322357		1	WASHER
3	10902424		1	SCREW
4	12574211		1	NUT
5	355510820		1	WASHER
6	340415222		1	BUSH
7	322101850		1	LEVER
8	355510620	● 003555106150 (1)	1	WASHER
9			1	SCREW
10	322104500	● 003230714000 (1)	1	PUMP
11	15212921		1	SCREW
12	16100811		1	NUT
13	12034571		1	LOCK WASHE
14	355510820		1	WASHER
15	322086950		1	LEVER LEAD
16	322105250		1	BUSH
17	10903721		1	SCREW
18	12577211		1	NUT
19	355511020		1	WASHER
20	0032328755 00		1	SILENTBLOC
21	11107021		1	SCREW
22	16043824		1	SCREW

VARIATIONS

100
- 290_2

ELECTRICAL ADJUSTMENT DEFLECTORS page 2

MTB "REV" 200 REV (551100001_551100038)



- | | | | | | |
|----|----------|---|------------------|---|------------|
| 24 | 80120041 | ● | 003660010160 (2) | 2 | SCREW |
| 25 | 84018597 | | | 1 | ROD |
| 26 | 80120037 | ● | 000865074860 (2) | 2 | BOLT |
| 27 | 80120104 | | | 1 | SCREW |
| 28 | 80322358 | | | 1 | WASHER |
| 29 | 89706690 | | | 1 | NUT |
| 30 | 84021166 | | | 1 | COVER |
| 31 | 80354720 | ● | 000117017110 (2) | 2 | NUT |
| 32 | 80190029 | ● | 000001900290 (1) | 1 | PAD |
| 33 | 83963662 | ● | 003228414000 (1) | 1 | REGULATOR, |
| 34 | 84015292 | ● | 003223167500 (1) | 1 | LOCK |

290

2/2

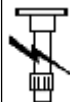
21250131003

VARIATIONS

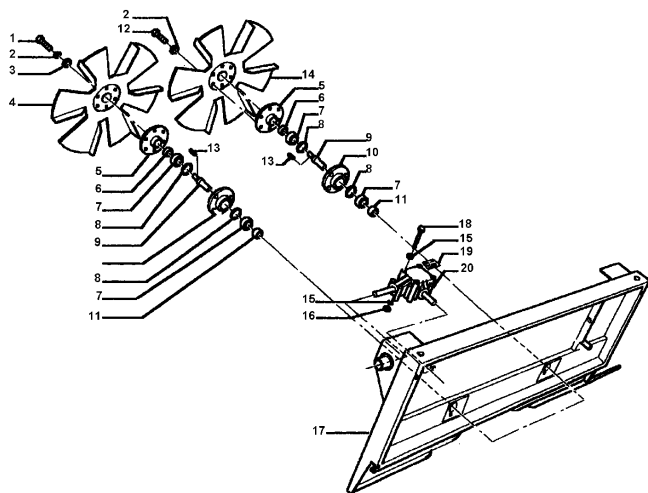
100
- 776.3

CHAFF SPREADER - BODY

MTB "REV" 200 REV (551100001_551100038)



100776.3



- 1 80043140
 - 2 12034671
 - 3 84056152
 - 4 84056145
 - 5 84056121
 - 6 84056133
 - 7 322638450
 - 8 11060576
 - 9 84056123
 - 10 84056122
 - 11 84056129
 - 12 12034571
 - 13 84056144
 - 14 84056146
 - 15 355501120
 - 16 11701721
 - 17 322740150
 - 18 8012007
 - 19 80266580
 - 20 84056139
- 000111064210 (6)
 - 6 SCREW
 - 6 LOCK WASHE
 - 1 BUSH
 - 1 FAN
 - 1 FLANGE
 - 1 BUSH
 - 1 BEARING
 - 1 SPRING LOC
 - 2 PIN
 - 2 FLANGE
 - 1 BUSH
 - 6 LOCK WASHE
 - 1 KEY
 - 1 FAN
 - 3 WASHER
 - 1 NUT
 - 2 BODY
 - 1 SCREW
 - 2 DECAL
 - 1 PITMAN

776.3

1/1

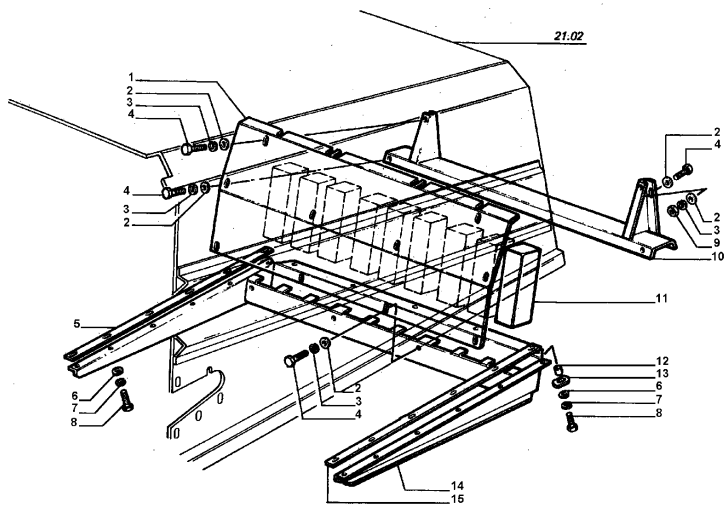
7117761310

VARIATIONS

100
- 883_1

BALLST WEIGHT ON REAR BODY page 1

MTB "REV" 200 REV (551100001_551100038)



- 1 322298650
- 2 355510820
- 3 12034571
- 4 16043624
- 5 322298550
- 6 355501130
- 7 12034671
- 8 11106424
- 9 16100811
- 10 322298950
- 11 322298850
- 12 340415510
- 13 322313750
- 14 322299150
- 15 322298550

- 1 PANEL
- 6 WASHER
- 2 LOCK WASHE
- 6 SCREW
- 1 SHIM
- 6 WASHER
- 6 LOCK WASHE
- 6 SCREW
- 4 NUT
- 1 FIXING CLI
- 1 WIGHT
- 2 BUSH
- 2 PLATE
- 1 FRAME
- 1 SHIM

883

1/2

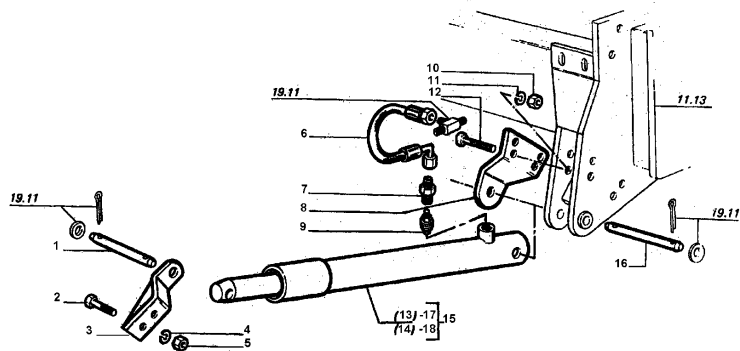
11350131000

VARIATIONS

100
- 962_1

CUTTER BAR LIFTING ADDITIONAL RAM

MTB "REV" 200 REV (551100001_551100038)



- | | | | |
|----|-----------|---|------------|
| 1 | 322005550 | 1 | DOWEL |
| 2 | 11118521 | 2 | SCREW |
| 3 | 322776550 | 2 | HITCH |
| 4 | 12034871 | 1 | LOCK WASHE |
| 5 | 12163311 | 2 | NUT |
| 6 | 321421850 | 1 | HOSE |
| 7 | 321875100 | 1 | UNION |
| 8 | 322003950 | 1 | PLATE |
| 9 | 322308350 | 1 | VALVE |
| 10 | 11702921 | 2 | NUT |
| 11 | 12034771 | 2 | LOCK WASHE |
| 12 | 11112821 | 4 | SCREW |
| 13 | 321871600 | 1 | JACK |
| 14 | 322546200 | 1 | JACK |
| 15 | 322005550 | 1 | DOWEL |
| 16 | 322546100 | 1 | JACK |
| 17 | 322546300 | 1 | KIT SEALS |
| 18 | 344853119 | 1 | KIT SEALS |

962

1/2



28120131000

CLICK HERE TO **DOWNLOAD** THE COMPLETE MANUAL

- Thank you very much for reading the preview of the manual.
- You can download the complete manual from: www.heydownloads.com by clicking the link below



- Please note: If there is no response to CLICKING the link, please download this PDF first and then click on it.

CLICK HERE TO **DOWNLOAD** THE COMPLETE MANUAL