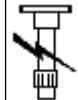


Drive's platform



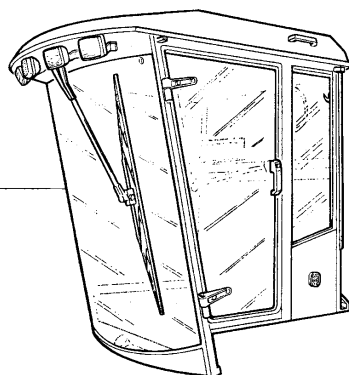
MTB "MCS - LX - 1950 mcs
LXE - LS"

CAB - CLIMATIZED CAB

322770700

1 CAB

322770700



1950-2050

01 02

Cabine - Cabine climatizate
Kabine - Mit Klimanlage

CABINA - CABINA CONDIZIONATA

Cab - Climatized cab
Cabina - Con Acondicionado

27.13.1

27130172001

CLICK HERE TO **DOWNLOAD** THE COMPLETE MANUAL

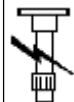
- Thank you very much for reading the preview of the manual.
- You can download the complete manual from: www.heydownloads.com by clicking the link below



- Please note: If there is no response to CLICKING the link, please download this PDF first and then click on it.

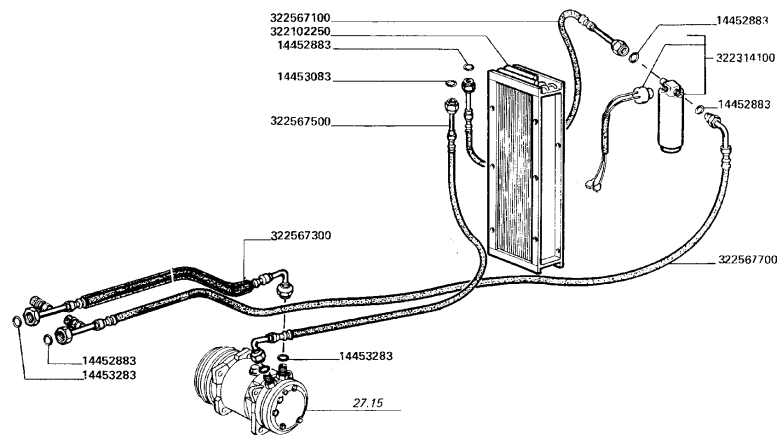
CLICK HERE TO **DOWNLOAD** THE COMPLETE MANUAL

Drive's platform



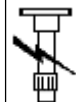
MTB "MCS - LX - 1950 mcs
LXE - LS"

CAB - AIR CONDITIONED (FREON "HFC 134 A")



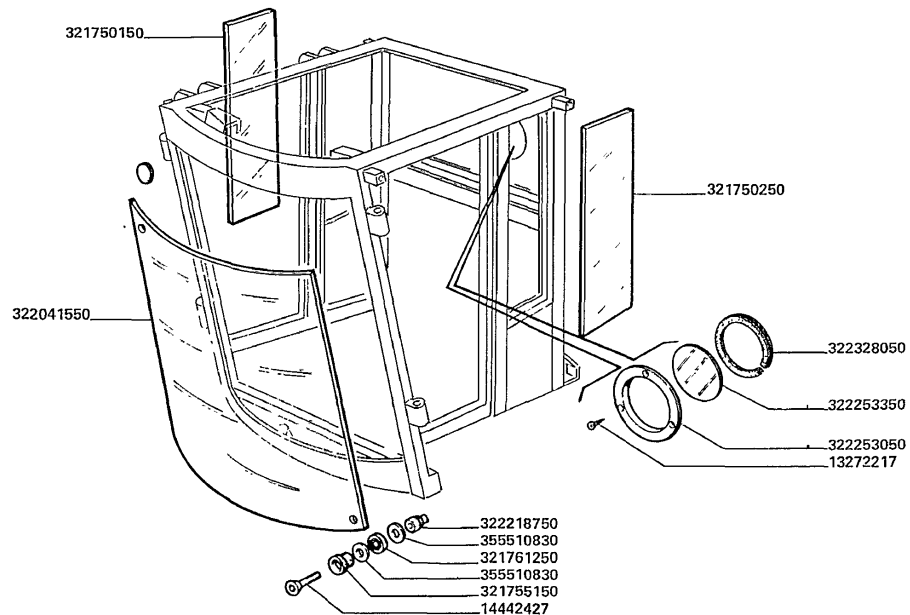
- | | |
|-----------|-------------|
| 14452883 | 6 O-RING |
| 14453083 | 1 O-RING |
| 14453283 | 5 O-RING |
| 322102250 | 1 CONDENSER |
| 322314100 | 1 FILTER |
| 322567100 | 1 HOSE |
| 322567300 | 1 HOSE |
| 322567500 | 1 HOSE |
| 322567700 | 1 HOSE |

Drive's platform



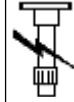
MTB "MCS - LX - 1950 mcs
LXE - LS"

CAB - GLASSES



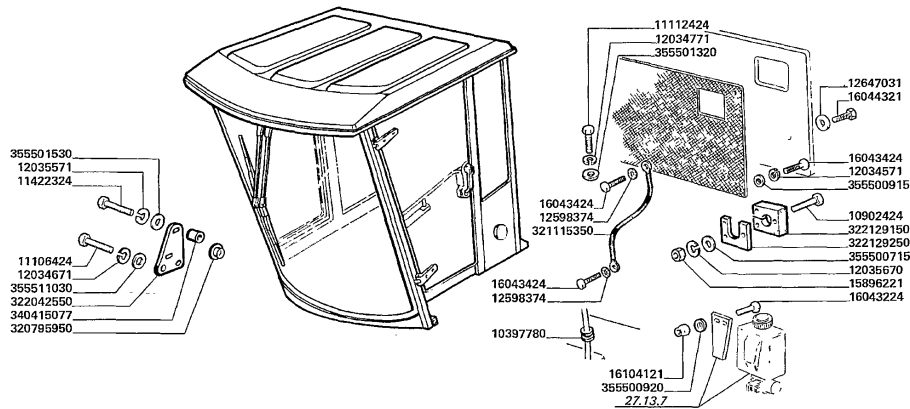
- | | | |
|-----------|---|------------|
| 13272217 | 3 | SCREW |
| 14442427 | 2 | SCREW |
| 321750150 | 1 | GLASS ASSY |
| 321750250 | 1 | GLASS ASSY |
| 321755150 | 2 | BUSH |
| 321761250 | 2 | GASKET |
| 322041550 | 1 | GLASS ASSY |
| 322218750 | 2 | NUT |
| 322253050 | 1 | RING |
| 322253350 | 1 | PLUG |
| 322328050 | 1 | GASKET |
| 355510830 | 4 | WASHER |

Drive's platform



MTB "MCS - LX - 1950 mcs
LXE - LS"

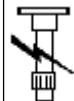
CAB INSTALLATION page2



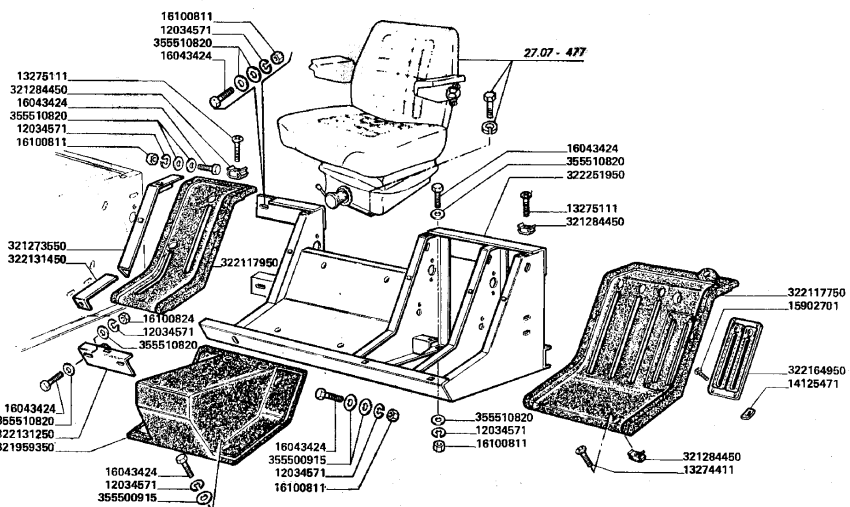
10397780		1 RING
10902424		8 SCREW
11106424		5 SCREW
11112424		2 SCREW
11422324	● 000114223240 (2)	2 SCREW
12034571		22 LOCK WASHE
12034671		4 LOCK WASHE
12034771		2 LOCK WASHE
12035571		2 LOCK WASHE
12035670	● 000120356710 (31)	31 LOCK WASHE
12598374	● 000106156790 (2)	2 LOCK WASHE
12647031		4 LOCK WASHE
15896221		15 NUT
16043224		15 SCREW
16043424		10 SCREW
16044321		4 SCREW
16104121		2 NUT
320795950		4 PLUG
321115350		1 EARTH WIRE
322042550		2 STIRRUP
322129150		1 GASKET
322129250		1 FLANGE
340415077		2 BUSH
355500715		26 WASHER
355500915		3 WASHER
355500920		3 WASHER
355501320		2 WASHER
355501530		2 WASHER
355511030		4 WASHER

Drive's platform

DRIVE'S PLATFORM page2



MTB "MCS - LX - 1950 mcs
LXE - LS"



- | | |
|-----------|---------------|
| 12034571 | 26 LOCK WASHE |
| 13274411 | 3 SCREW |
| 13275111 | 8 SCREW |
| 14125471 | 4 PLATE |
| 15902701 | 4 SCREW |
| 16043424 | 26 SCREW |
| 16100824 | 21 NUT |
| 321273550 | 1 SUPPORT |
| 321284450 | 11 NUT |
| 321959350 | 1 SUPPORT |
| 322117750 | 1 COVER |
| 322117950 | 1 COVER |
| 322131250 | 1 PROFILE |
| 322131450 | 1 SUPPORT |
| 322164950 | 1 PLAQUE, DA |
| 322251950 | 1 SUPPORT |
| 355500915 | 6 WASHER |
| 355510820 | 38 WASHER |

1950-2050

PIATTAFORMA DI GUIDA

27.02

01

02

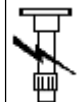
Poste de conduite
Fahrerstand

Drive's platform
Plataforma de conduccion

2

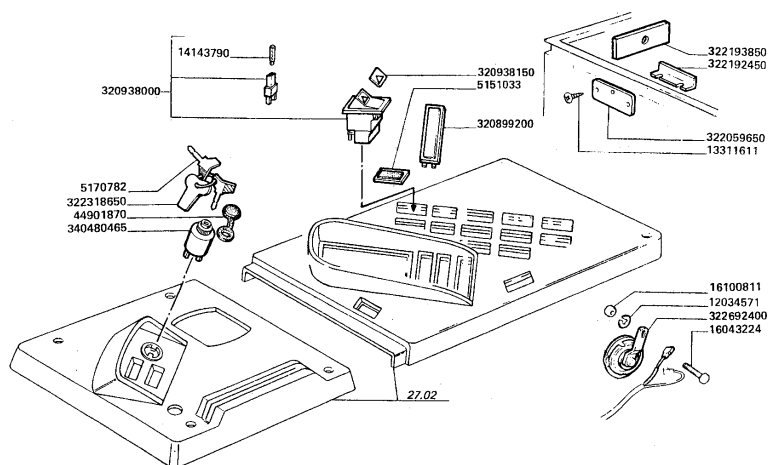
27020131000

Eletric system



MTB "MCS - LX - 1950 mcs
LXE - LS"

CONTROL CIRCUITS



- | | |
|-----------|---------------|
| 12034571 | 10 LOCK WASHE |
| 13311611 | 3 SCREW |
| 14143790 | 8 LAMPADA |
| 16043224 | 2 SCREW |
| 16100824 | 2 NUT |
| 320899200 | 1 PLUG |
| 320938000 | 1 SWITCH |
| 320938150 | 1 PLATE |
| 322059650 | 1 PANEL |
| 322192450 | 1 BRACKET, S |
| 322193850 | 1 PANEL |
| 322318650 | 1 KEY |
| 322692400 | 1 HORN |
| 340480465 | 1 SWITCH |
| 44901870 | 1 PROTECTION |
| 5151033 | 17 PLUG |
| 5170782 | 2 KEY |

1950-2050

01 02

Circuits de commande
Antriebskreis

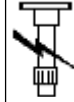
CIRCUITI DI COMANDO

Control circuits
Circuitos de mando

29.02

29020131001

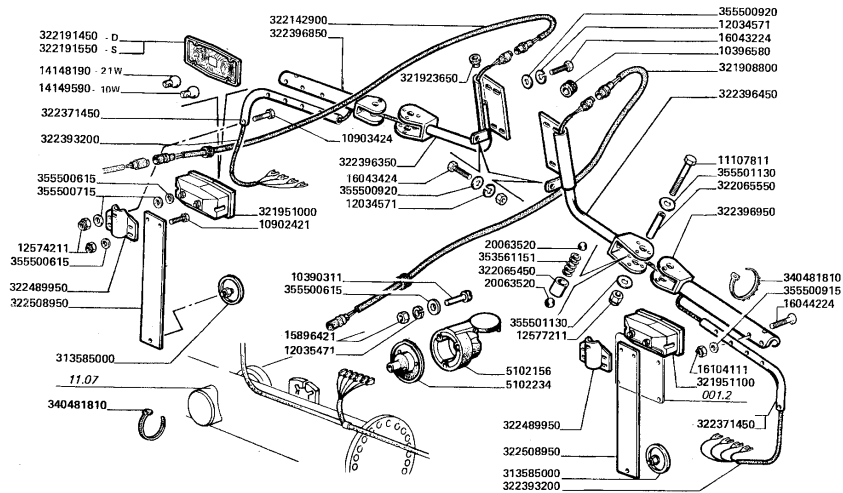
Eletric system



MTB "MCS - LX - 1950 mcs
LXE - LS"

REAR LIGHTING COMPONENTS

- 322489950
 - 322508950
 - 340481009
 - 340481810
 - 353561151
 - 355500615
 - 355500715
 - 355500915
 - 355500920
 - 355501130
 - 5102156
 - 5102234
- 2 BRACKET PL
 - 2 SUPPORT
 - 2 LAMPADA
 - 32 CLAMP
 - 2 SPRING
 - 11 WASHER
 - 4 WASHER
 - 2 WASHER
 - 10 WASHER
 - 4 WASHER
 - 1 UNIVERSAL
 - 1 PROTECTION



1950-2050

IMPIANTO ILLUMINAZIONE POSTERIORE

29.01

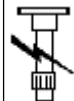
01 02

Installation éclairage arrière
Hinterbeleuchtung

Rear lighting components
Sistema alumbrado posterior

2 29010131000

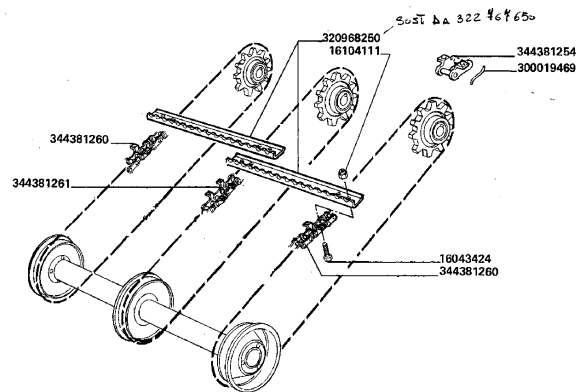
Elevator

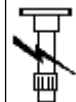


MTB "MCS - LX - 1950 mcs
LXE - LS"

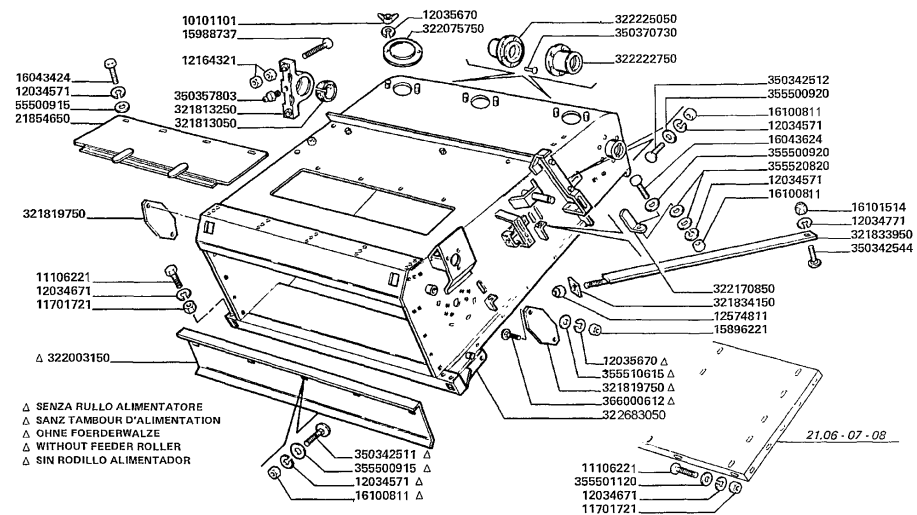
FRONT ELEVATOR page3

- | | | |
|-----------|---------------------|--------------|
| 16043424 | | 17 SCREW |
| 16104111 | | 18 NUT |
| 300019469 | | 1 RETAINER |
| 320968250 | ● 003227676500 (44) | 44 BAR |
| 344381254 | | 2 CONNECTING |
| 344381260 | | 2 CHAIN |
| 344381261 | | 1 CHAIN |





MTB "MCS - LX - 1950 mcs
LXE - LS"

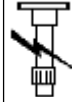


350370730
 355500920
 355501120
 355510615
 355520820
 36600612

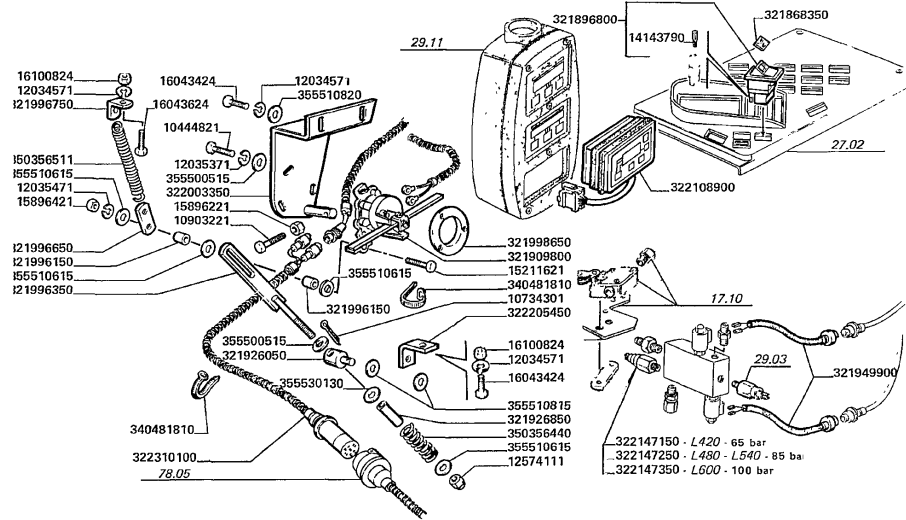
12 RIVET
 0 WASHER
 26 WASHER
 16 WASHER
 8 WASHER
 4 SCREW

Elevator

CUTTER BAR LIFTING page2



MTB "MCS - LX - 1950 mcs
LXE - LS"

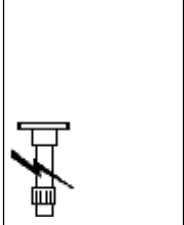


355510615
355510820
355530130

4 WASHER
2 WASHER
1 WASHER

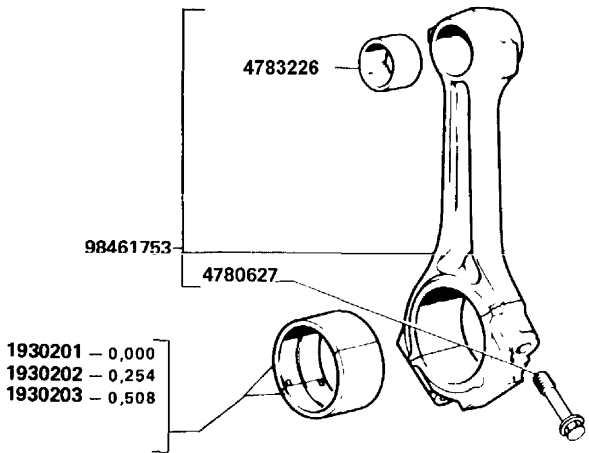
Engine

MTB "MCS - LX - 1950 mcs
LXE - LS"



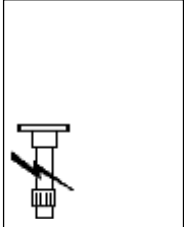
CONNECTING ROD

1930201	● 000019301810 (6)	6 SET OF MAI
1930202	● 000019301820 (6)	6 SET OF MAI
1930203	● 000019301830 (6)	6 SET OF MAI
4780627		2 SCREW
4783226		1 BUSH
98461753		6 PISTON ROD



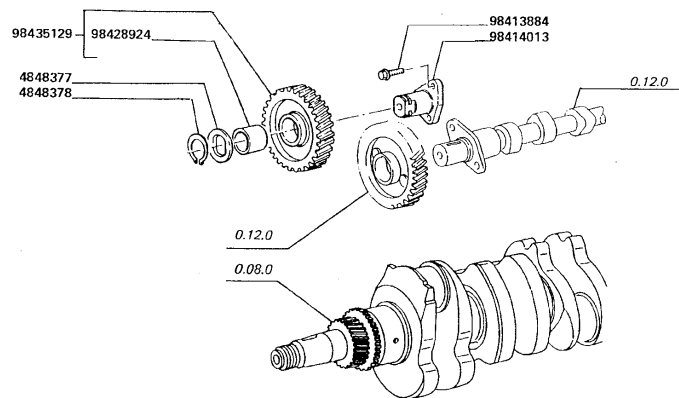
Engine

MTB "MCS - LX - 1950 mcs
LXE - LS"



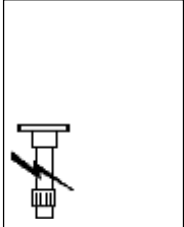
INTERMEDIATE DRIVE GEARS AND SHAFTS

- | | |
|------------|-----------------|
| 000484837 | 1 RING, LOCKING |
| 80 | |
| 0009841388 | 3 SCREW |
| 40 | |
| 0009841401 | 1 PIN |
| 30 | |
| 0009842892 | 1 BUSHING |
| 40 | |
| 0009843512 | 1 GEAR |
| 90 | |
| 4848377 | 1 LOCK WASHE |



Engine

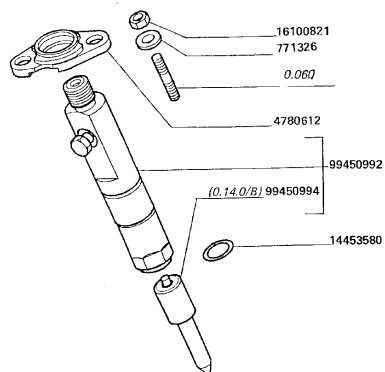
MTB "MCS - LX - 1950 mcs
LXE - LS"



INJECTION PUMP Page 2

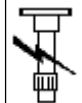
14453580
4780612
771326
851019
99450992
99450994

6 O-RING
6 STIRRUP
12 LOCK WASHE
12 NUT
6 INJECTOR,
1 NOZZLE

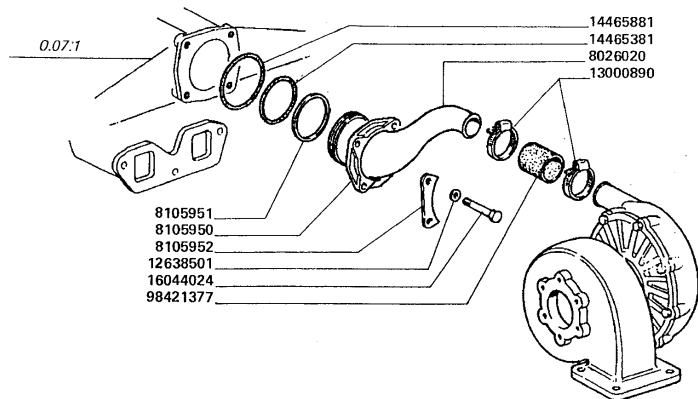


Engine

SUPERCHARGING SYSTEM page2

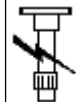


MTB "MCS - LX - 1950 mcs
LXE - LS"



000802602 00	1	TUBE,RIGID
000810595 00	1	FLANGE
000810595 10	1	TOROIDAL SEAL
000130089 00	2	CLIP, HOSE
0001446538 10	1	GASKET
0001446588 10	1	GASKET
0009842137	1	HOSE
000994447330 (1) 70		
12638501	4	LOCK WASHE
8105952	2	PLATE
850829	4	SCREW

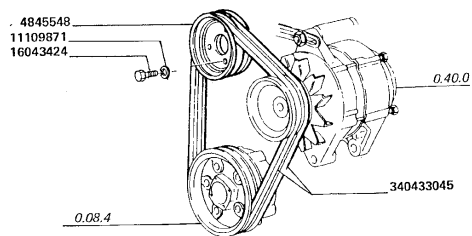
Engine



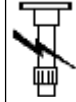
MTB "MCS - LX - 1950 mcs
LXE - LS"

FAN

- | | | |
|----------|--------------------|--------------|
| 11198071 | ● 003555009150 (3) | 3 LOCK WASHE |
| 4845548 | | 1 PULLEY |
| 850932 | | 3 SCREW |

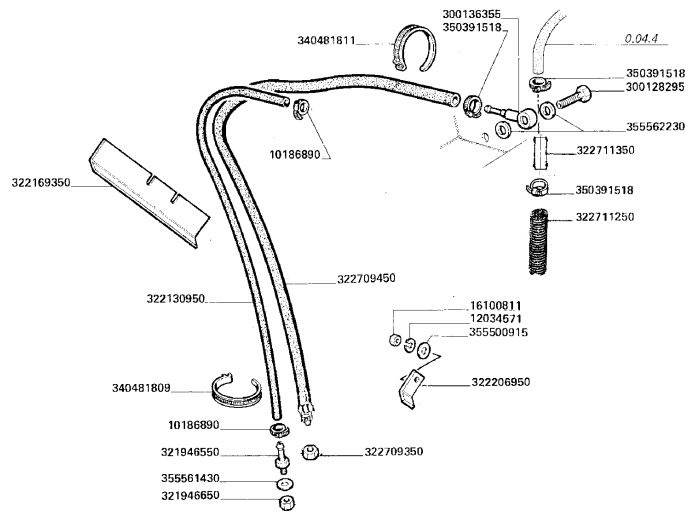


ENGINE INSTALLATION



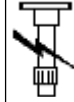
MTB "MCS - LX - 1950 mcs
LXE - LS"

ENGINE INSTALLATION page5



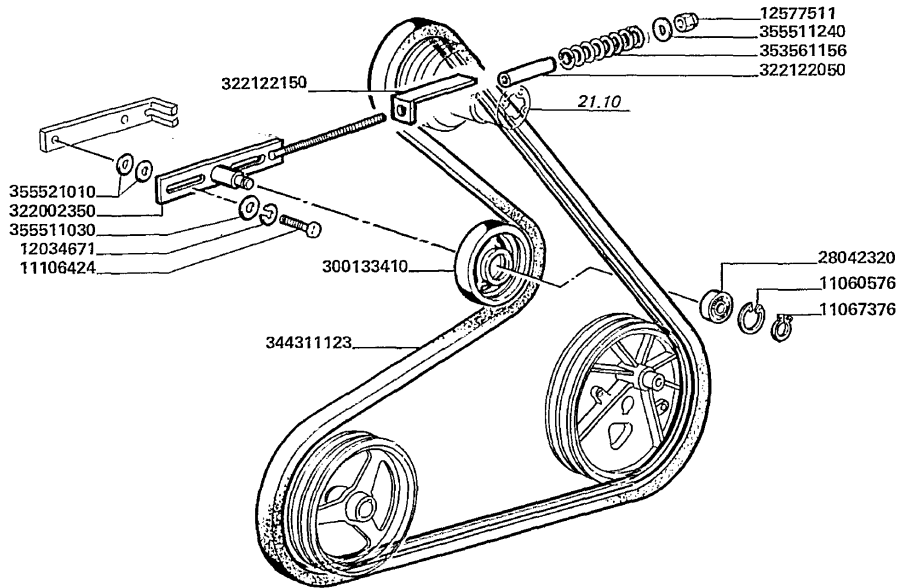
- | | | |
|-----------|--------------------|-----------------|
| 10186890 | | 2 CLAMP |
| 12034571 | | 21 LOCK WASHE |
| 14457180 | | 1 O-RING |
| 16100811 | | 13 NUT |
| 300128295 | | 1 BOLT, BANJ |
| 300136355 | | 1 BOLT, BANJ |
| 320479650 | ● 003227093500 (1) | 1 PLUG |
| 321806450 | | 1 BOLT, BANJ |
| 321946550 | | 2 BOLT, BANJ |
| 321946650 | | 1 PLUG |
| 322130850 | ● 003227094500 (1) | 1 PIPE |
| 322130950 | | 1 PIPE |
| 322169350 | | 1 SHIELD |
| 322206950 | | 1 BRACKET, S |
| 322208650 | | 1 HOSE,FLEXIBLE |
| 322234550 | | 1 BUSH |
| 340481809 | | 5 CLAMP |
| 340481811 | | 2 CLAMP |
| 350391518 | | 2 COLLAR |
| 350391526 | | 1 CLAMP |
| 355500915 | | 3 WASHER |
| 355561430 | | 2 WASHER |
| 355562230 | | 2 WASHER |

Guard



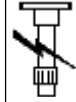
SHAKER SHOE page2

MTB "MCS - LX - 1950 mcs
LXE - LS"



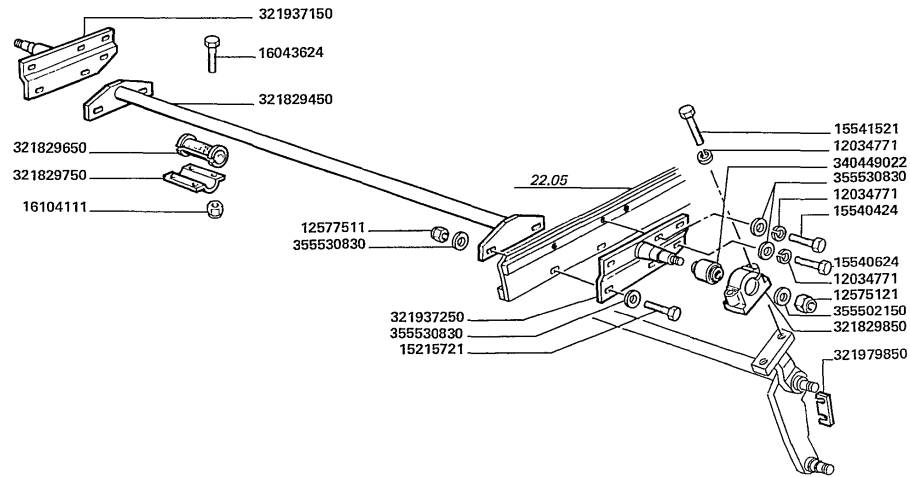
- | | | |
|-----------|----|------------|
| 11060576 | 1 | SPRING LOC |
| 11067376 | 1 | SPRING LOC |
| 11106424 | 8 | SCREW |
| 12034671 | 48 | LOCK WASHE |
| 12577511 | 1 | NUT |
| 28042320 | 1 | BEARING |
| 300133410 | 1 | TENSIONER, |
| 322002350 | 1 | SUPPORT |
| 322122050 | 1 | SPACER |
| 322122150 | 1 | INDEX PRES |
| 344311123 | 1 | BELT |
| 353561156 | 1 | SPRING |
| 355511030 | 38 | WASHER |
| 355511240 | 1 | WASHER |
| 355521010 | 4 | WASHER |

Guard



MTB "MCS - LX - 1950 mcs
LXE - LS"

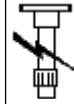
GRAIN PAN DRIVE page2



- | | |
|-----------|---------------|
| 12034771 | 19 LOCK WASHE |
| 12575121 | 2 NUT |
| 12577511 | 4 NUT |
| 15215721 | 4 SCREW |
| 15540424 | 7 SCREW |
| 15540624 | 2 SCREW |
| 15541521 | 4 SCREW |
| 16043624 | 14 SCREW |
| 16104111 | 12 NUT |
| 321829450 | 1 CROSSPIECE |
| 321829650 | 3 SUPPORT |
| 321829750 | 3 BRIDLE |
| 321829850 | 2 THIMBLE |
| 321937150 | 1 PIN |
| 321937250 | 1 PIN |
| 321979850 | 4 SHIM |
| 340449022 | 2 SILENTBLOC |
| 355502150 | 2 WASHER |
| 355530830 | 16 WASHER |

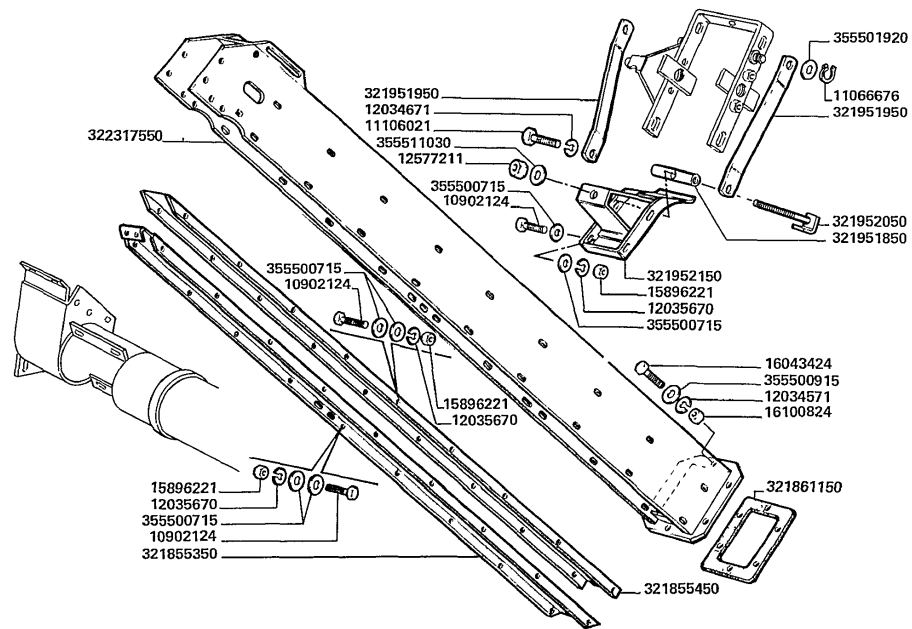
● 000155406240 (2)

Guard



MTB "MCS - LX - 1950 mcs
LXE - LS"

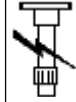
TAILINGS ELEVATOR (ANTHWEAR)



- 10902124
- 11066676
- 11106021
- 12034571
- 12034671
- 12035670
- 12577211
- 15896221
- 16043424
- 16100824
- 321855350
- 321855450
- 321861150
- 321951850
- 321951950
- 321952050
- 321952150
- 322317550
- 355500715
- 355500915
- 355501920
- 355511030
- 44 SCREW
- 2 SPRING LOC
- 2 SCREW
- 97 LOCK WASHE
- 6 LOCK WASHE
- 84 LOCK WASHE
- 2 NUT
- 80 NUT
- 14 SCREW
- 15 NUT
- 1 PLATE
- 1 PLATE
- 2 SHIM
- 1 PIN
- 2 BASE PLATE
- 1 TIE-ROD
- 1 COVER
- 1 CASHIER
- 117 WASHER
- 4 WASHER
- 2 WASHER
- 1 WASHER

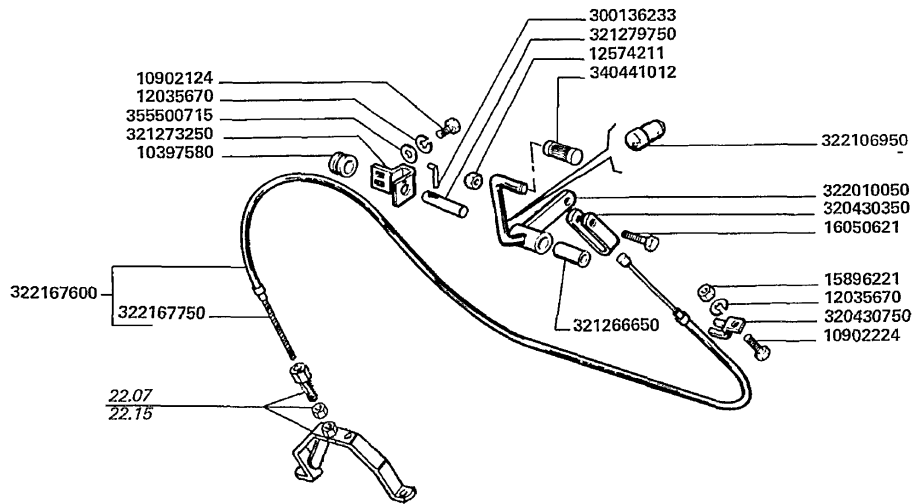
● 000120356710 (84)

Guard



TAILINGS ELEVATOR (NORMAL) page6

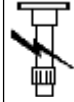
MTB "MCS - LX - 1950 mcs
LXE - LS"



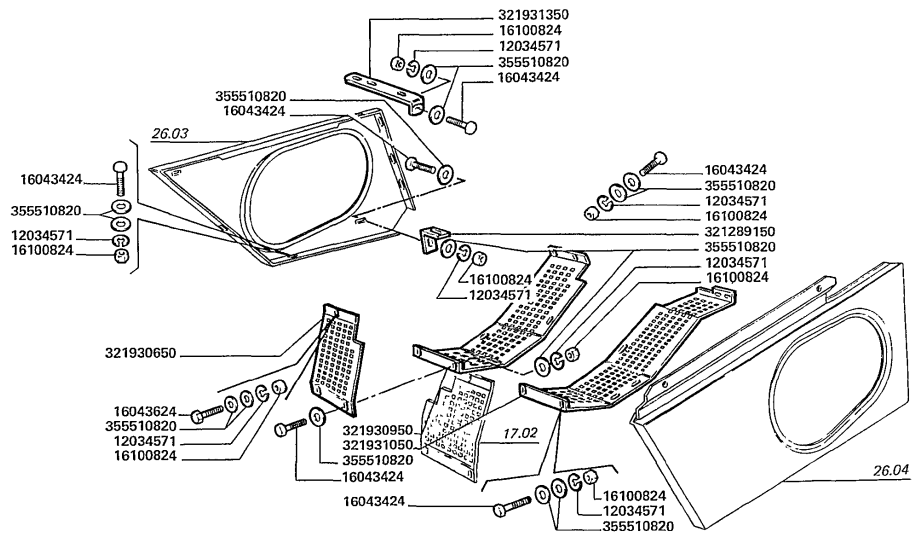
- | | | |
|-----------|---------------------|---------------|
| 10397580 | | 1 RING |
| 10902124 | | 8 SCREW |
| 10902224 | | 40 SCREW |
| 12035670 | ● 000120356710 (48) | 48 LOCK WASHE |
| 12574211 | | 1 NUT |
| 15896221 | | 44 NUT |
| 16050621 | | 1 SCREW |
| 300136233 | | 1 DOWEL |
| 320430750 | | 1 BRACKET, S |
| 321266650 | | 1 BUSH |
| 321273250 | | 1 SUPPORT |
| 321279750 | | 1 PIN |
| 322010050 | | 1 PEDAL |
| 322106950 | | 1 PLUG |
| 322167600 | | 1 CABLE |
| 322167750 | | 1 ROPE |
| 340441012 | | 1 PAD,RUBBER |
| 355500715 | | 38 WASHER |

Guard

FAN page1



MTB "MCS - LX - 1950 mcs
LXE - LS"



- 12034571
- 16043424
- 16043624
- 16100824
- 321289150
- 321930650
- 321930950
- 321931050
- 321931350
- 355510820

- 79 LOCK WASHE
- 39 SCREW
- 7 SCREW
- 70 NUT
- 1 BRACKET, S
- 1 SHIELD
- 1 SHIELD
- 1 SHIELD
- 1 BASE PLATE
- 27 WASHER

CLICK HERE TO **DOWNLOAD** THE COMPLETE MANUAL

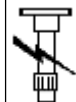
- Thank you very much for reading the preview of the manual.
- You can download the complete manual from: www.heydownloads.com by clicking the link below



- Please note: If there is no response to CLICKING the link, please download this PDF first and then click on it.

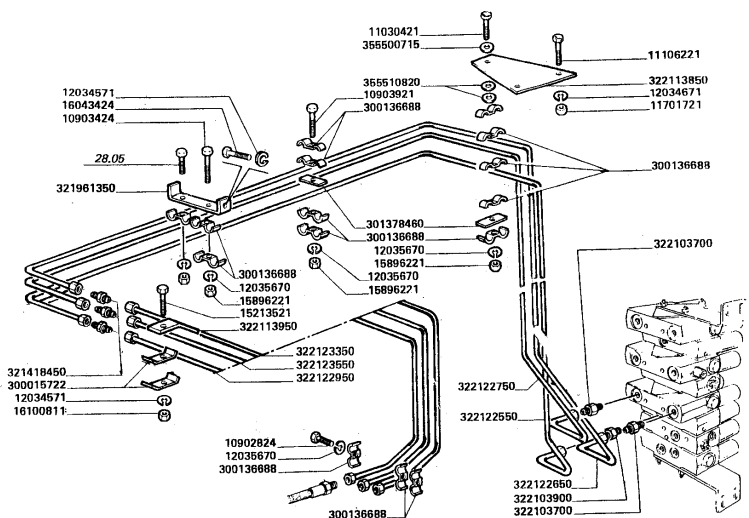
CLICK HERE TO **DOWNLOAD** THE COMPLETE MANUAL

Hydraulic system



MTB "MCS - LX - 1950 mcs
LXE - LS"

REEL CIRCUIT HYDRAULIC page1



1950-2050

01 02

Circuits hydrauliques rabatteur
Kreislaut des hydraulik haspel

CIRCUITI IDRAULICI ASPO

Reel circuit hydraulic
Circuitos hidraulicos molinete

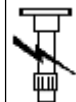
28.04

28040131000
1/2

- 10902824 1 SCREW
- 10903424 4 SCREW
- 11030421 1 SCREW
- 11106224 2 SCREW
- 11701721 2 NUT
- 12034571 4 LOCK WASHE
- 12034671 2 LOCK WASHE
- 12035670 7 LOCK WASHE
- 15213521 2 SCREW
- 15896221 6 NUT
- 16043424 4 SCREW
- 16100824 1 NUT
- 300015722 4 BRIDLE
- 300136688 14 BRIDLE
- 301378460 2 BRIDLE
- 321418450 0 UNION
- 321961350 2 BRIDLE
- 322103700 2 UNION
- 322103900 0 UNION
- 322113850 1 SUPPORT
- 322113950 2 SUPPORT
- 322122450 1 PIPE
- 322122550 1 PIPE
- 322122650 1 PIPE
- 322122750 1 PIPE
- 322122950 1 PIPE
- 322123550 1 PIPE
- 355500715 1 WASHER
- 355510820 2 WASHER

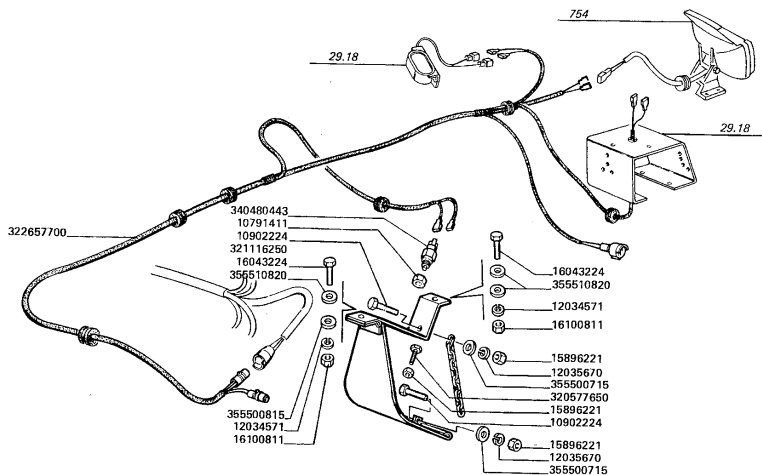
● 000120356710 (7)

Straw walkers



MTB "MCS - LX - 1950 mcs
LXE - LS"

REAR BODY page2



- 10791411
 - 10902224
 - 12034571
 - 12035670
 - 15896221
 - 16043224
 - 16100811
 - 320577650
 - 321116250
 - 322657700
 - 340480443
 - 355500715
 - 355500815
 - 355510820
- 1 NUT
 - 6 SCREW
 - 42 LOCK WASHE
 - 6 LOCK WASHE
 - 7 NUT
 - 2 SCREW
 - 37 NUT
 - 1 REGULATOR,
 - 1 SUPPORT
 - 1 WIRE/CABLE
 - 1 BUTTON
 - 6 WASHER
 - 1 WASHER
 - 86 WASHER
- 000120356710 (6)

1950-2050

01 02

Carenage arriere
Hintere Karosserie

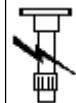
CARENATURA POSTERIORE

Rear body
Carenado posterior

21.02

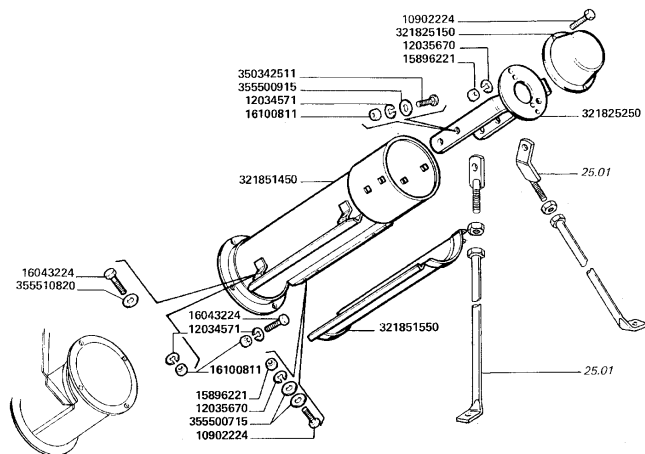
2 21020131001

Tank and fairings



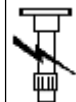
MTB "MCS - LX - 1950 mcs
LXE - LS"

TANK FEED page2



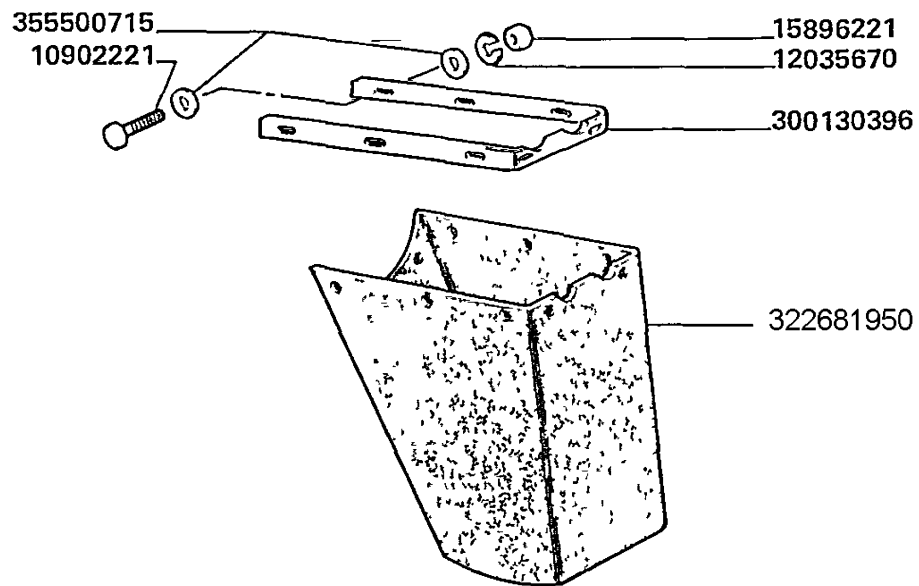
- | | | |
|-----------|---------------------|---------------|
| 10902224 | | 8 SCREW |
| 12034571 | | 25 LOCK WASHE |
| 12035670 | ● 000120356710 (16) | 16 LOCK WASHE |
| 15896221 | | 14 NUT |
| 16043224 | | 14 SCREW |
| 16100811 | | 25 NUT |
| 321825150 | | 1 COVER |
| 321825250 | | 1 BACKBONE |
| 321851450 | | 1 PIPE |
| 321851550 | | 1 HATCH |
| 350342511 | | 4 SCREW |
| 355500715 | | 16 WASHER |
| 355500915 | | 13 WASHER |
| 355510820 | | 2 WASHER |

Tank and fairings



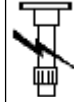
MTB "MCS - LX - 1950 mcs
LXE - LS"

SWIVEL CONVEYOR



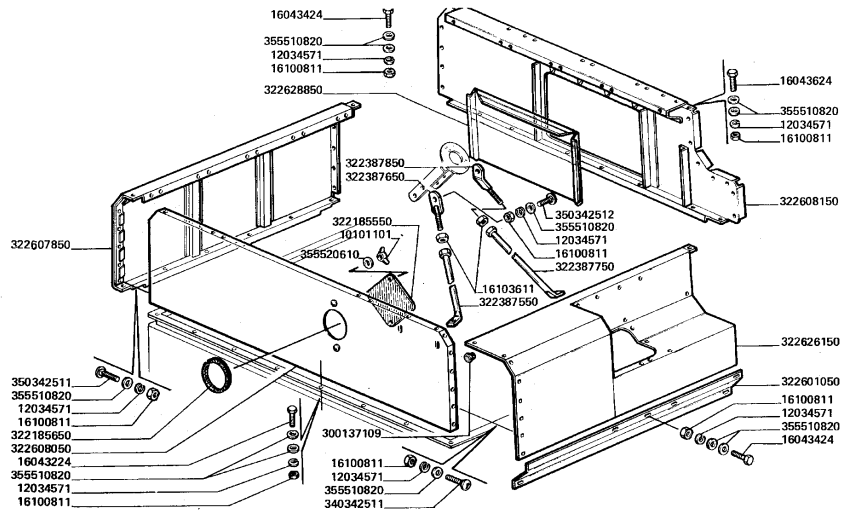
- | | | |
|-----------|---------------------|---------------|
| 10902221 | | 10 SCREW |
| 12035670 | ● 000120356710 (10) | 10 LOCK WASHE |
| 15896221 | | 10 NUT |
| 300130396 | | 1 STRAP |
| 320739650 | ● 003227722500 (1) | 1 CONVEYOR |
| 355500715 | | 20 WASHER |

Tank and fairings



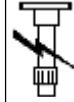
GRAIN TANK page2

MTB "MCS - LX - 1950 mcs
LXE - LS"



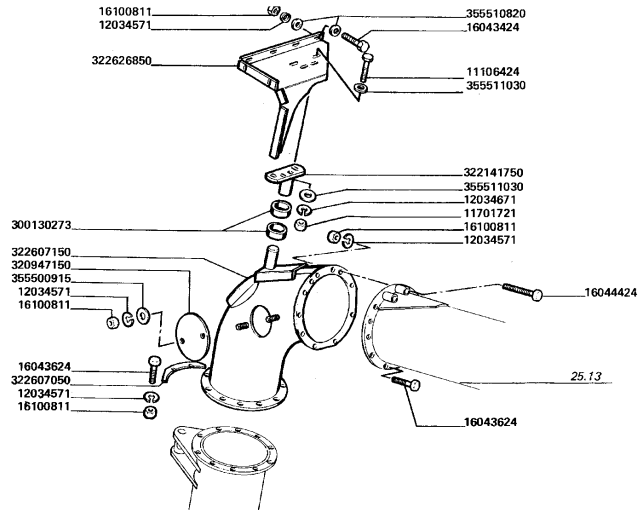
- | | | |
|-----------|--------------------|---------------|
| 10101101 | | 2 NUT |
| 12034571 | | 95 LOCK WASHE |
| 16043224 | | 14 SCREW |
| 16043424 | | 67 SCREW |
| 16043624 | | 6 SCREW |
| 16100824 | | 76 NUT |
| 16103611 | | 2 NUT |
| 300137109 | ● N.A. (0) | 1 PLUG |
| 322185650 | | 1 GASKET |
| 322387550 | | 1 PIPE |
| 322387650 | | 1 TIE ROD |
| 322387750 | | 1 PIPE |
| 322387850 | | 1 TIE ROD |
| 322601050 | ● 003226010503 (1) | 1 CONNECTION |
| 322607850 | | 1 BOARD |
| 322608050 | | 1 WALL |
| 322608150 | | 1 WALL |
| 322626150 | | 1 BOARD |
| 322628850 | | 1 LID |
| 350342511 | | 16 SCREW |
| 355510820 | | 156 WASHER |
| 355520610 | | 2 WASHER |

Tank and fairings



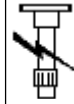
MTB "MCS - LX - 1950 mcs
LXE - LS"

GRAIN TANK UNLOADING VERTICAL TUBE page3



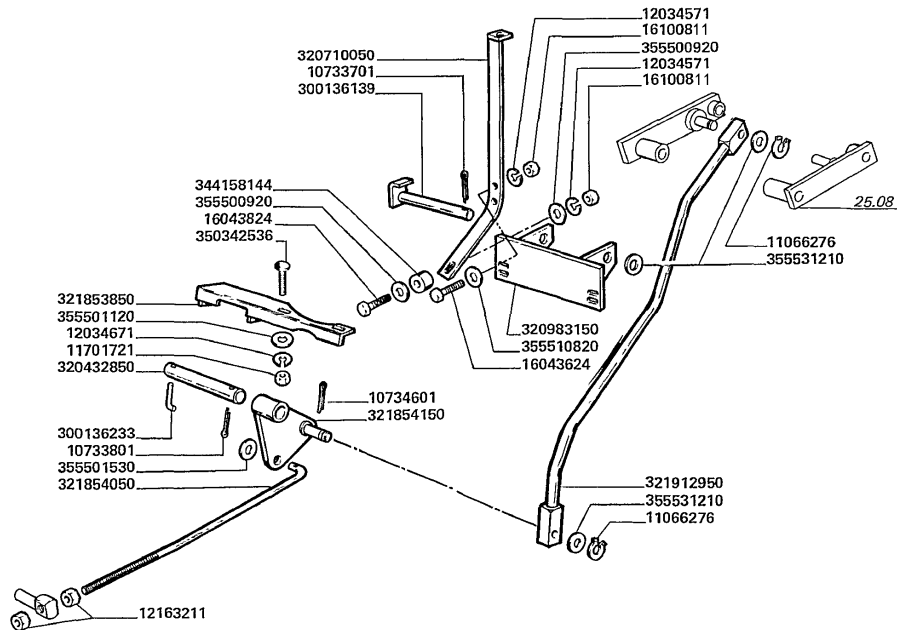
- | | |
|-----------|---------------|
| 11106421 | 4 SCREW |
| 11701721 | 16 NUT |
| 12034571 | 77 LOCK WASHE |
| 12034671 | 20 LOCK WASHE |
| 16043424 | 23 SCREW |
| 16043624 | 32 SCREW |
| 16044421 | 2 SCREW |
| 16100811 | 53 NUT |
| 300130273 | 2 BUSH |
| 320947150 | 1 PANEL |
| 322141750 | 1 SUPPORT |
| 322607050 | 1 SHIM |
| 322607150 | 1 UNION |
| 322626850 | 1 STIRRUP |
| 355500915 | 10 WASHER |
| 355510820 | 32 WASHER |
| 355511030 | 9 WASHER |

Thresher



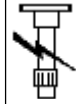
THRESING MECHANISM DRIVE page2

MTB "MCS - LX - 1950 mcs
LXE - LS"



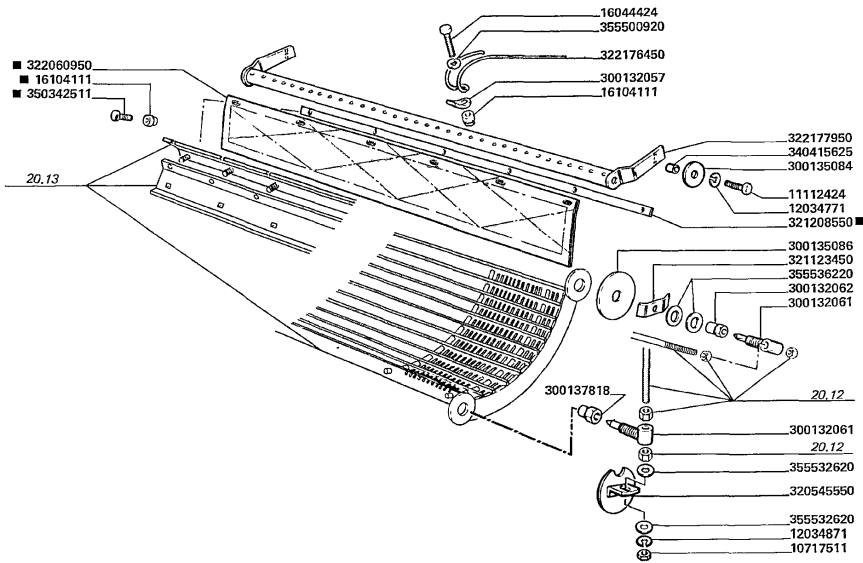
- | | |
|-----------|---------------|
| 10733701 | 2 LINCH PIN |
| 10733801 | 1 LINCH PIN |
| 10734601 | 3 LINCH PIN |
| 11066276 | 5 SPRING LOC |
| 11701721 | 4 NUT |
| 12034571 | 21 LOCK WASHE |
| 12034671 | 4 LOCK WASHE |
| 12163211 | 3 NUT |
| 16043624 | 12 SCREW |
| 16043824 | 7 SCREW |
| 16100811 | 19 NUT |
| 300136139 | 1 PIVOT |
| 300136233 | 1 DOWEL |
| 320432850 | 1 PIVOT |
| 320710050 | 1 ANGULAR |
| 320983150 | 1 SUPPORT |
| 321853850 | 1 SUPPORT |
| 321854050 | 1 TIE ROD |
| 321854150 | 1 COUNTER WE |
| 321912950 | 1 ROD |
| 344158144 | 1 BUSH |
| 350342536 | 2 SCREW |
| 355500920 | 2 WASHER |
| 355501120 | 2 WASHER |
| 355501530 | 3 WASHER |
| 355510820 | 21 WASHER |
| 355531210 | 6 WASHER |

Thresher



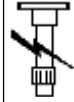
MTB "MCS - LX - 1950 mcs
LXE - LS"

CONVEYING CONCAVE



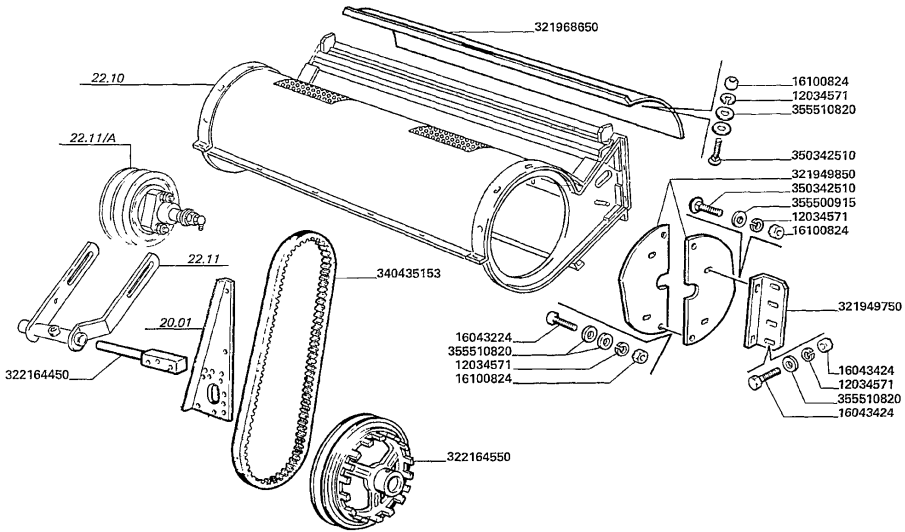
- | | |
|-----------|--------------|
| 10717511 | 2 NUT |
| 11112424 | 2 SCREW |
| 12034771 | 5 LOCK WASHE |
| 12034871 | 2 LOCK WASHE |
| 16044424 | 24 SCREW |
| 16104111 | 36 NUT |
| 300132057 | 24 STRAP |
| 300132061 | 4 PIN |
| 300132062 | 2 NUT |
| 300135084 | 2 WASHER |
| 300135086 | 2 WASHER |
| 300137818 | 2 NUT |
| 320545550 | 2 PANEL |
| 321123450 | 2 PLATE |
| 321208550 | 1 STRAP |
| 322060950 | 1 CANVAS |
| 322176450 | 24 TINE |
| 322177950 | 1 FRAME |
| 340415625 | 2 BUSH |
| 350342511 | 6 SCREW |
| 355500920 | 24 WASHER |
| 355532620 | 4 WASHER |
| 355536220 | 4 WASHER |

Tools



MTB "MCS - LX - 1950 mcs
LXE - LS"

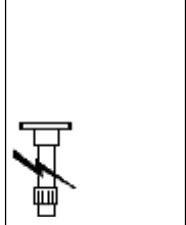
EQUIPMENT FOR SMALL SEEDS



- 12034571
- 16043224
- 16043424
- 16100824
- 321949750
- 321949850
- 321968650
- 322164450
- 322164550
- 340435153
- 350342510
- 355500915
- 355510820

- 22 LOCK WASHE
- 4 SCREW
- 8 SCREW
- 22 NUT
- 4 SUPPORT
- 4 PANEL
- 1 PANEL
- 1 PIN
- 1 PULLEY
- 1 BELT
- 10 SCREW
- 8 WASHER
- 20 WASHER

Tools

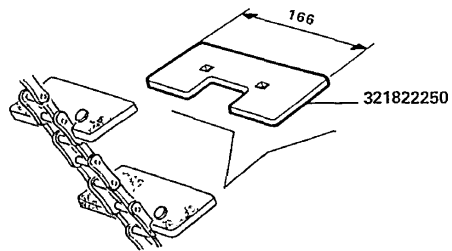
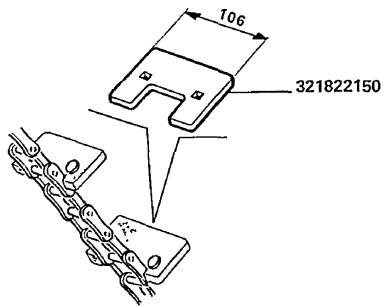


ELEVATOR CLEANING BLADES

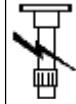
MTB "MCS - LX - 1950 mcs
LXE - LS"

321822150
321822250

2 PADDLE
2 PADDLE

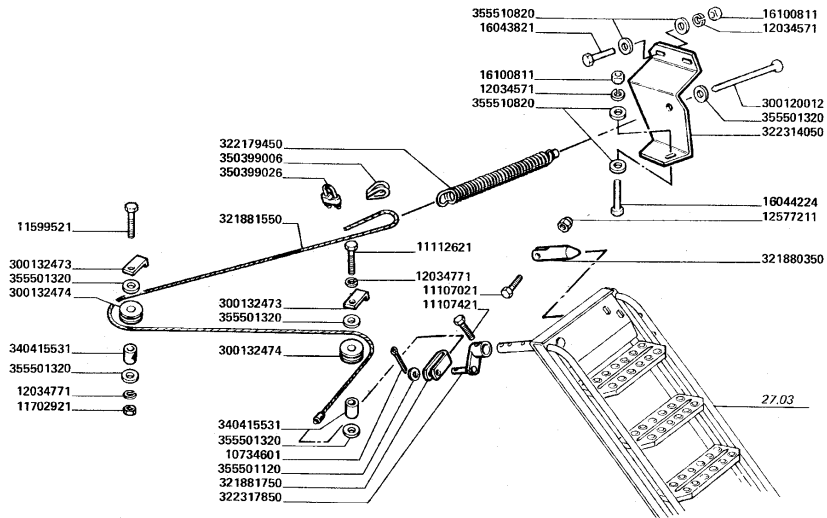


Tools



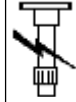
MTB "MCS - LX - 1950 mcs
LXE - LS"

LADDER FOOTBOARD (LADDER RELEASE) page 2



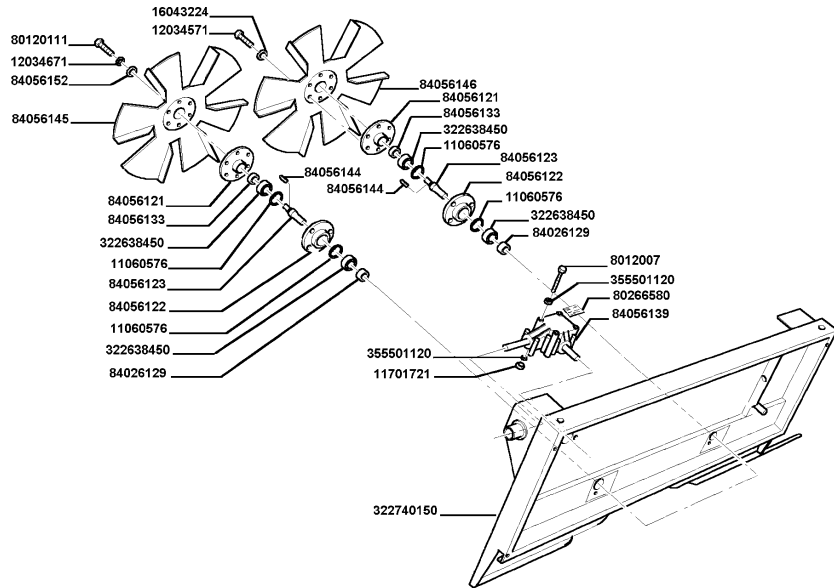
- | | |
|-----------|---------------|
| 10734601 | 1 LINCH PIN |
| 11107021 | 1 SCREW |
| 11107421 | 1 SCREW |
| 11112621 | 1 SCREW |
| 11599521 | 2 SCREW |
| 11702911 | 2 NUT |
| 12034571 | 24 LOCK WASHE |
| 12034771 | 3 LOCK WASHE |
| 12577211 | 1 NUT |
| 16043821 | 2 SCREW |
| 16044221 | 1 SCREW |
| 16100811 | 21 NUT |
| 300120012 | 1 TIE ROD |
| 300132473 | 2 BRACKET, S |
| 300132474 | 2 GUIDE CABL |
| 321880350 | 1 PIN |
| 321881550 | 1 WIRE/CABLE |
| 321881750 | 1 ANCHOR |
| 322179450 | 1 END ASSY,T |
| 322314050 | 1 STIRRUP |
| 322317850 | 1 LEVER |
| 340415531 | 2 BUSH |
| 350399006 | 1 HOOK |
| 350399026 | 1 CONNECTOR |
| 355501120 | 3 WASHER |
| 355501320 | 7 WASHER |
| 355510820 | 39 WASHER |

Tools



MTB "MCS - LX - 1950 mcs
LXE - LS"

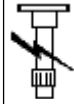
CHAFF SPREADER - BODY



- | | | |
|-----------|----|------------|
| 11060576 | 4 | SPRING LOC |
| 11701721 | 4 | NUT |
| 12034571 | 12 | LOCK WASHE |
| 16043224 | 12 | SCREW |
| 322638450 | 4 | BEARING |
| 322740150 | 1 | BODY |
| 355501120 | 10 | WASHER |
| 80043140 | 2 | SCREW |
| 80120077 | 4 | BUSHING |
| 80266580 | 1 | DECAL |
| 84026129 | 2 | BUSHING |
| 84056121 | 2 | FLANGE |
| 84056122 | 2 | FLANGE |
| 84056123 | 2 | PIN |
| 84056133 | 2 | BUSH |
| 84056139 | 1 | PITMAN |
| 84056144 | 2 | KEY |
| 84056145 | 1 | FAN |
| 84056146 | 1 | FAN |

● 000111064210 (2)

Tools

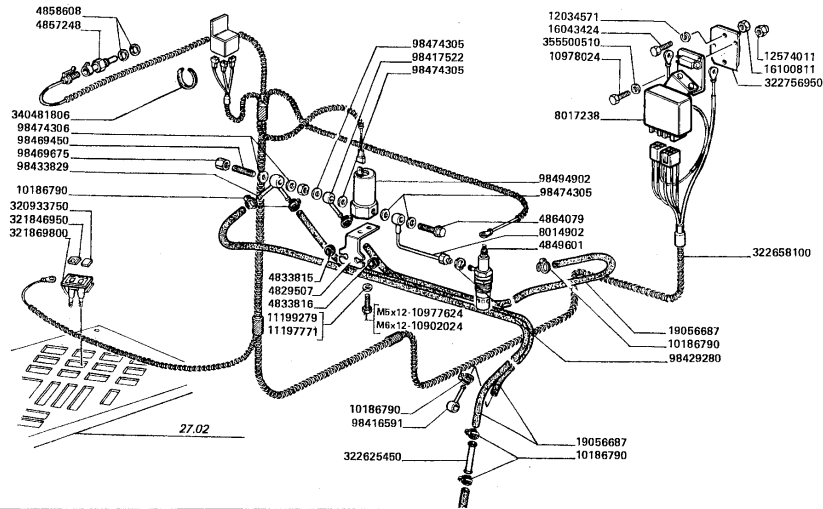


MTB "MCS - LX - 1950 mcs
LXE - LS"

THERMOSTARTER

98474305
98474306
98494902

4 LOCK WASHE
2 GASKET
1 ELECTRO-VA



1950-2050

01 02

Thermodemarreur
Thermostarter

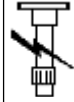
TERMOAVVIATORE

Thermostarter
Termoarrancador

751

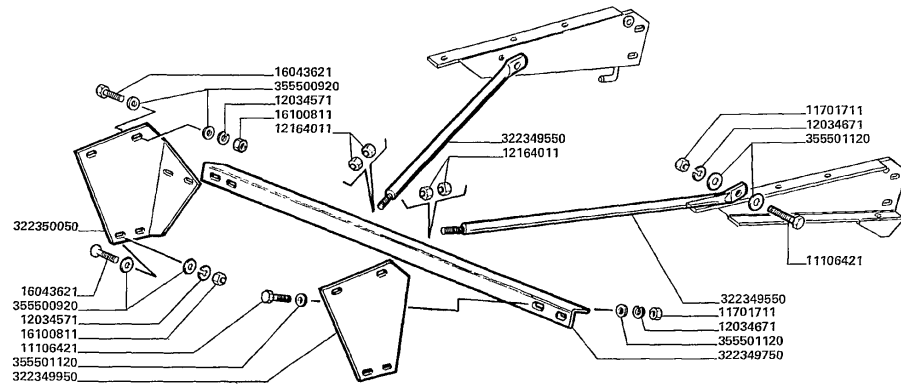
10120152001

Tools



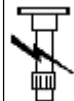
MTB "MCS - LX - 1950 mcs
LXE - LS"

STRAW-CHOPPER - BODY STIFFENER



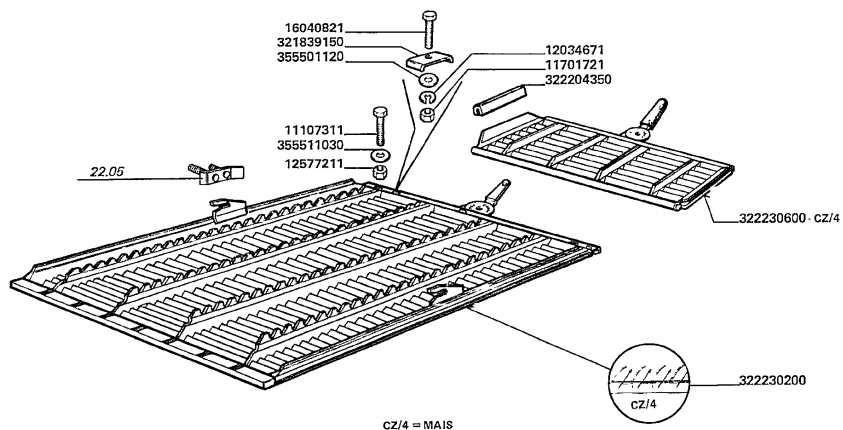
- | | | |
|-----------|--|--------------|
| 11106421 | | 6 SCREW |
| 11701711 | | 6 NUT |
| 12034571 | | 8 LOCK WASHE |
| 12034671 | | 6 LOCK WASHE |
| 12164011 | ● 000121640210 (4) | 4 NUT |
| 16043621 | | 8 SCREW |
| 16100811 | | 8 NUT |
| 322349550 | ● 003233086500 (2)
003233087500 (2)
003233088500 (2) | 2 TIE ROD |
| 322349750 | ● 003233086500 (1)
003233087500 (1)
003233088500 (1) | 1 ANGULAR |
| 322349950 | | 1 PLATE |
| 322350050 | | 1 PLATE |
| 355500920 | | 16 WASHER |
| 355501120 | | 12 WASHER |

Tools



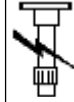
MTB "MCS - LX - 1950 mcs
LXE - LS"

UPPER SIEVE ADJUSTABLE



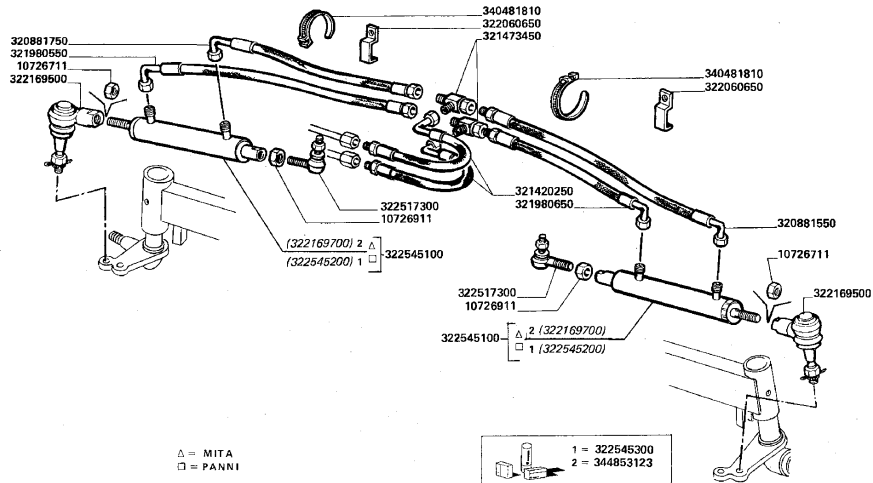
- | | | |
|-----------|--------------------|--------------|
| 11107311 | ● 000111073210 (2) | 2 SCREW |
| 11701721 | | 3 NUT |
| 12034671 | | 3 LOCK WASHE |
| 12577211 | | 2 NUT |
| 16040821 | | 3 SCREW |
| 321839150 | | 3 PARABOLA S |
| 322136700 | | 1 SIEVE EXTE |
| 322204350 | | 2 GASKET |
| 322230200 | | 1 SIEVE |
| 322230600 | | 1 SIEVE EXTE |
| 355501120 | | 3 WASHER |
| 355511030 | | 2 WASHER |

Transmission



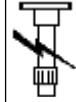
MTB "MCS - LX - 1950 mcs
LXE - LS"

REAR AXLE - ADJUSTABLE page2



- | | |
|------------------|--------------------|
| 0032088155
00 | 1 HOSE,FLEXIBLE |
| 0032088175
00 | 1 HOSE,FLEXIBLE |
| 0032142025
00 | 2 HOSE,FLEXIBLE |
| 0032147345
00 | 2 CONNECTOR |
| 0032206065
00 | 1 COLLAR,RET |
| 0032251730
00 | 4 TRACK ROD
END |
| 0032254510
00 | 2 JACK |
| 0032254530
00 | 1 KIT,SEALS |
| 0034048181
00 | 5 COLLAR |
| 0034485312
30 | 1 KIT,SEALS |
| 10726711 | 2 NUT |
| 10726911 | 4 NUT |
| 321980550 | 1 HOSE |
| 322169500 | 2 BALL JOINT |

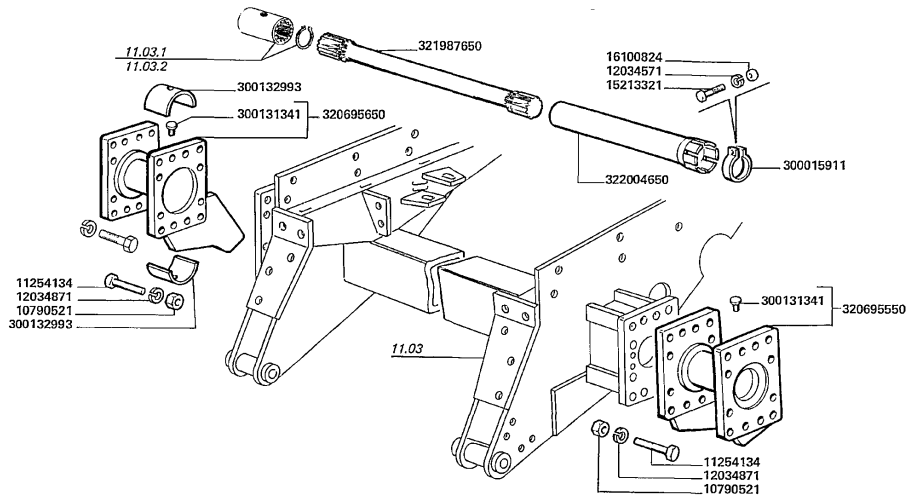
Transmission



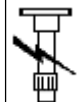
CRWLER TRACKS(7 rollers) page 1

MTB "MCS - LX - 1950 mcs
LXE - LS"

- | | |
|-----------|----------|
| 11391534 | 68 SCREW |
| 15835231 | 68 SCREW |
| 15981031 | 13 SCREW |
| 300135424 | 13 NUT |
| 322029950 | 34 SKATE |
| 322030050 | 34 SKATE |
| 322030150 | 1 SKATE |
| 322030250 | 1 SKATE |
| 322565650 | 4 SCREW |

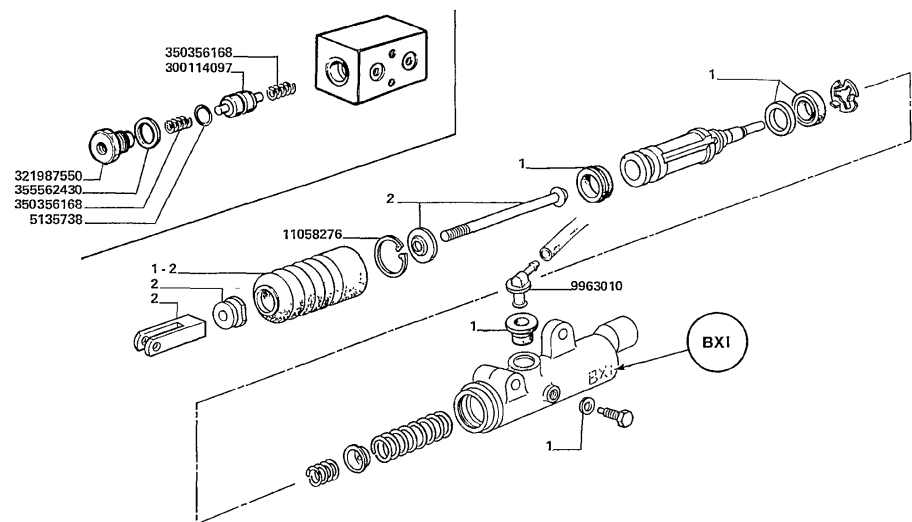


Transmission



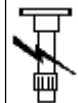
MTB "MCS - LX - 1950 mcs
LXE - LS"

PUMP ELEMENTS AND BRAKE COMPANSATION VAL



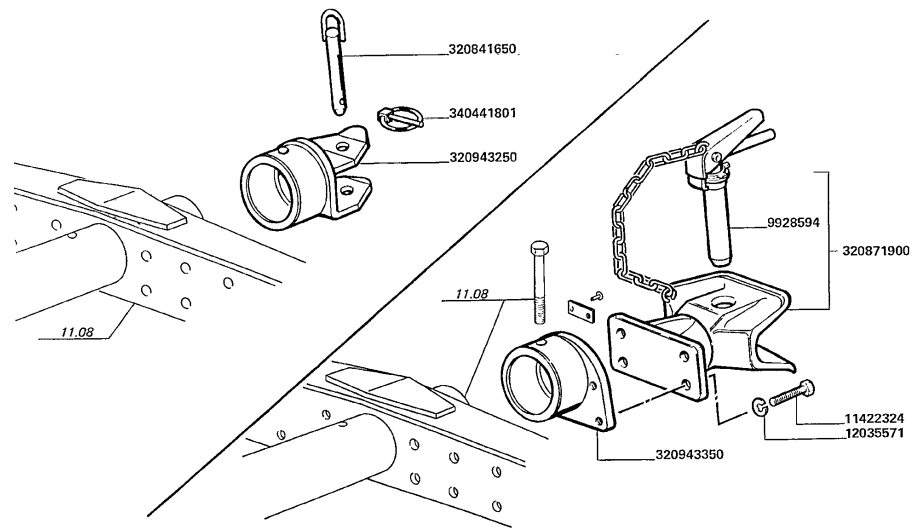
- | | |
|------------|-----------------|
| 0001105827 | 1 RING, LOCKING |
| 60 | |
| 0030011409 | 1 PISTON SWI |
| 70 | |
| 321987550 | 1 PLUG |
| 350356168 | 2 SPRING |
| 355562430 | 1 WASHER |
| 5135738 | 1 O-RING |
| 9963008 | 1 KIT, MISC |
| 9963009 | 1 KIT, MISC |
| 9963010 | 1 UNION |

Transmission



MTB "MCS - LX - 1950 mcs
LXE - LS"

TOW HOOK



- | | | | | |
|-----------|---|------------------|---|------------|
| 11422324 | ● | 000114223240 (4) | 4 | SCREW |
| 12035571 | | | 4 | LOCK WASHE |
| 320841650 | | | 1 | PIN |
| 320871900 | ● | 003232318000 (1) | 1 | TOW HOOK |
| 320943250 | | | 1 | TOW HOOK |
| 320943350 | | | 1 | HITCH |
| 340441801 | | | 1 | LATCH |
| 9928594 | | | 1 | PIN |

CLICK HERE TO **DOWNLOAD** THE COMPLETE MANUAL

- Thank you very much for reading the preview of the manual.
- You can download the complete manual from: www.heydownloads.com by clicking the link below



- Please note: If there is no response to CLICKING the link, please download this PDF first and then click on it.

CLICK HERE TO **DOWNLOAD** THE COMPLETE MANUAL