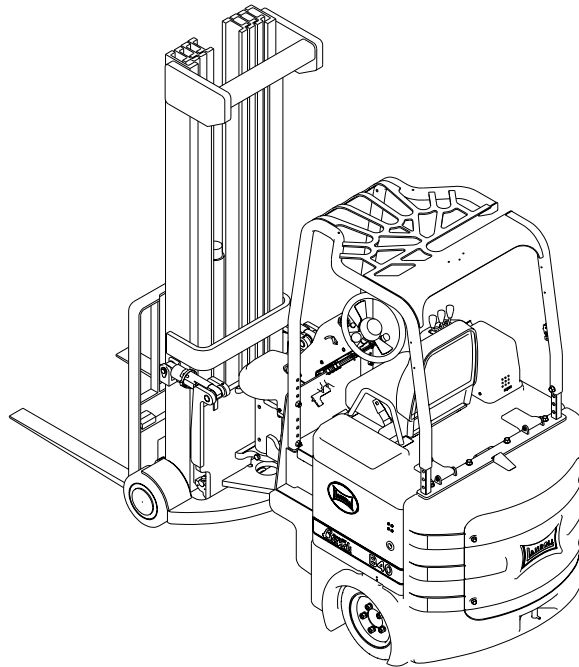




Bendi
BENDI SERIES III
REMANUFACTURED FORKLIFT
PARTS LIST



1900 NORTH STREET
MARYSVILLE, KANSAS 66508
(785) 562-5381

CLICK HERE TO **DOWNLOAD** THE COMPLETE MANUAL

- Thank you very much for reading the preview of the manual.
- You can download the complete manual from: www.heydownloads.com by clicking the link below



- Please note: If there is no response to CLICKING the link, please download this PDF first and then click on it.

CLICK HERE TO **DOWNLOAD** THE COMPLETE MANUAL

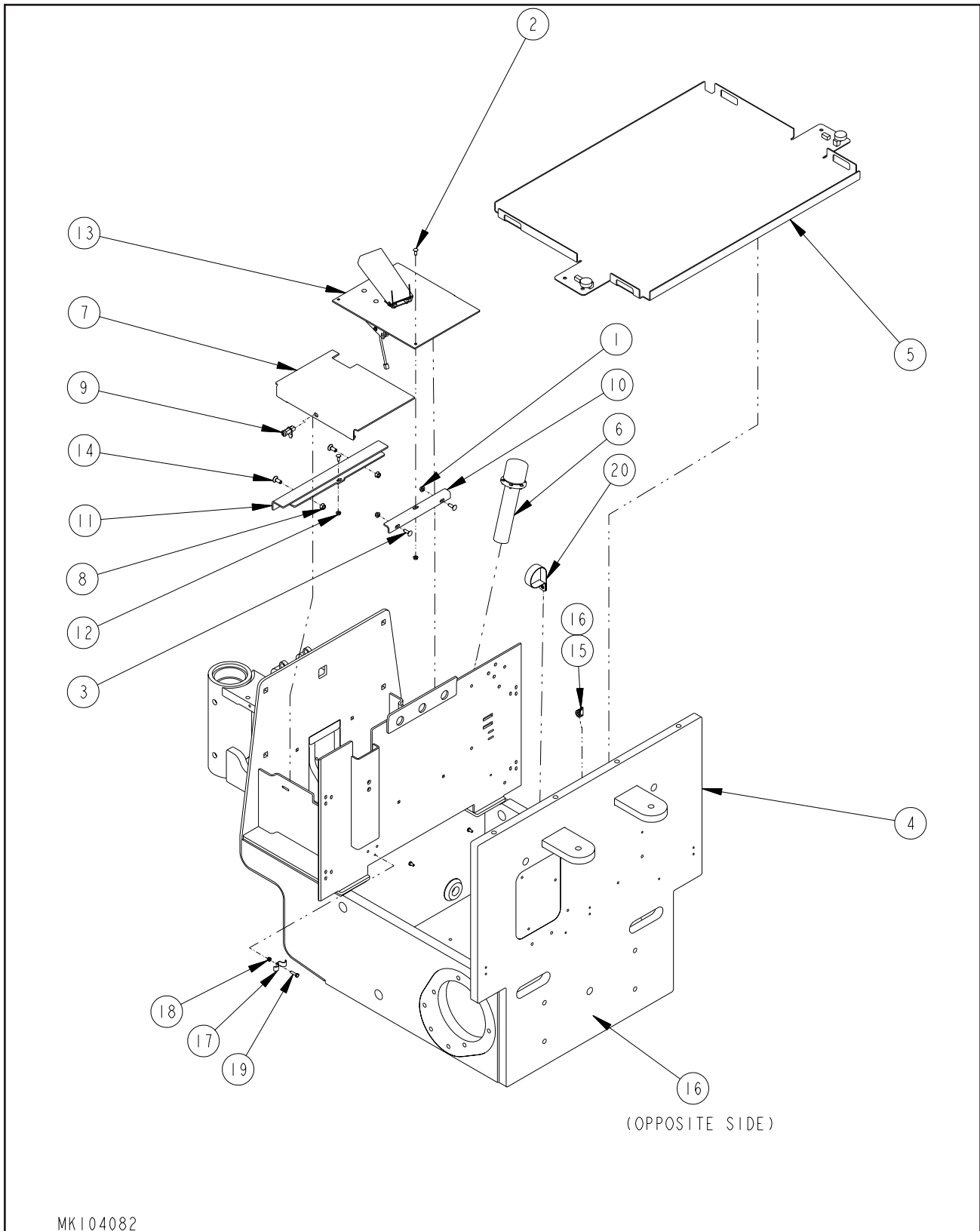


Figure 1-4 Floor Plate/Battery Tray/Hydraulic Filler Assembly

OVERHEAD GUARD ASSEMBLY

ITEM	PART NO.	DESCRIPTION	QTY.
1	0011269	MIRROR REAR VIEW	1
2	0030024	BRACKET, STOP LIGHTS	2
3	1-510-010004-03	NUT, FLANGE HEAD SPIRALOCK 5/16-18	2
4	1-512-010003-06	NUT, HEX LOCK 10-24 GRB	AR
5	1-654-010047-12	SCREW, HEX HEAD CAP 1/4-20 X 2-1/2 GR5	4
6	111360	SCREW, BUTTON HEAD CAP 5/8-11 X 3	4
7	10-32X1	SCREW, RD HEAD MACH #10-32X 1	2
8	1-512-010003-05	NUT, HEX LOCK 10-32	2
9	105366	COVER, HALF STROBE LIGHT	1
10	106203	OVERHEAD GUARD WELDMENT	1
11	106268	HARNESS ASSY, GE - BENDI TAILLIGHTS	1
12	106534	NUT, FLANGE HEAD SPIRALOCK 5/8-11	4
13	106955	SCREW, BUTTON HEAD CAP 1/4-20 X 3/4	AR
14	108417	NUT, HEX FLANGE, SPIRALOCK 1/4-20	AR
15	109394	SCREW, BUTTON HEAD CAP #10-24 X 5/8	AR
16	110286	BRACKET, TAIL LIGHT MOUNT	2
17	110289	BRACKET, STROBE MOUNT	1
18	110414	BRACKET, HEADLIGHT MOUNT (TOP)	2
19	113395	SCREW, RD HEAD SQ NECK 5/16-18 X 2-3/4 GR5	2
20	110441	HEADLIGHT ASSEMBLY, LH	1
21	110442	LIGHTS, TAIL/STOP ASSEMBLY	2
22	110447	HEADLIGHT ASSEMBLY, RH	1
23	110457	STROBE LIGHT ASSEMBLY	1
24	110467	REVERSE STROBE ASSEMBLY	1
25	110470	SURFACE RACEWAY	1
26	110472	BRACKET, HEADLIGHT MOUNT (BOTTOM)	2
27	111332	SCREW, MACH SLTD FIL HEAD #10-24 X 1-1/2	4
28	108409	BUSHING	2
29	3-343-010014-53	GROMMET, HOLE 5/16 DIA	2
30	514-9094-1	FIBERGLASS TUBING (NOT SHOWN)	AR
31	0010931	LATCH, COVER HOLD-UP	1
32	107920	LATCH RELEASE KNOB	1
33	106954	SCREW, BUTTON HEAD CAP 1/4-20 X 5/8	1
34	1-654-010047-04	SCREW, HEX HEAD CAP 1/4-20 X 3/4 GR5	2
35	1-861-010032-04	WASHER, FLAT 3/16	3
36	1-861-010034-09	WASHER, SPLIT LOCK 1/4	2
37	104032	NUT, HEX LOCK 5/16-18 GRB	2
38	125894	CLAMP, CABLE 5/8 (NOT SHOWN)	3
39	108246	REPL. LIGHT BULB, 48 VOLT (FOR P/N'S 110441 & 110447)	1
40	0030023	BULB, TAIL/STOP (FOR P/N 110442)	1
41	0030016	STROBE, 12-80 VOLT (FOR P/N'S 110457 & 110467)	1
	110528	KIT, HEADLIGHT (INCL ITEMS 3, 18-20, 22, 26 & 30)	1
	110529	KIT, REAR LIGHT WIRING (INCL ITEMS 11 & 25)	1
	110530	KIT, RR COMB LT (INCL ITEMS 2,4-5,14,16,21,27,& 29-30)	1
	110531	KIT, STROBE LIGHT (INCL ITEMS 4, 13-15, 17, & 23)	1
	110532	KIT, REAR REV STROBE (INCL ITEMS 4, 13-15, 17, & 24)	1
	110533	KIT, BACKUP BEEPER (SEE PAGE 1-74)	1

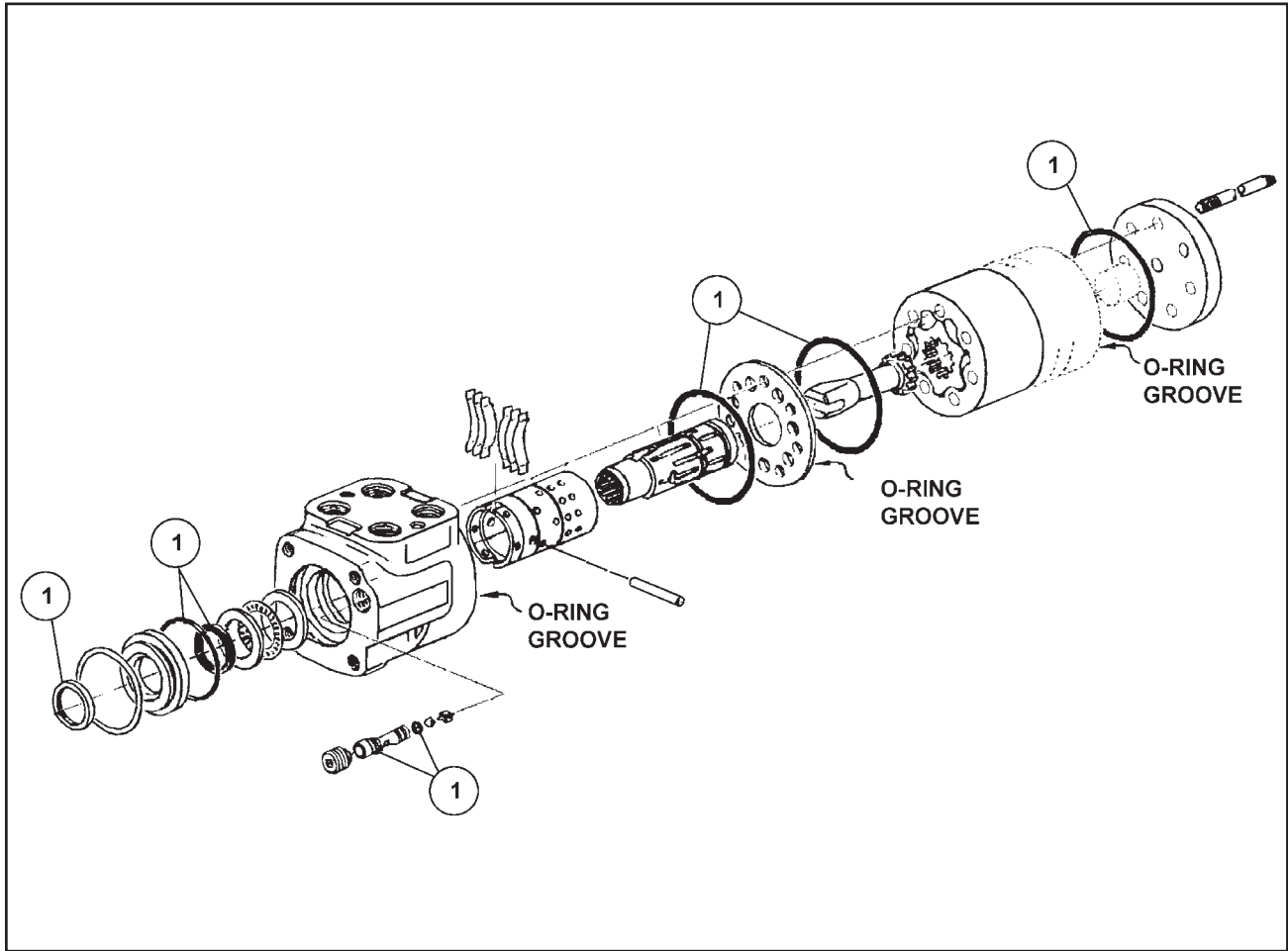


Figure 1-15 PowerSteering Orbital Assembly

POWER STEERING ORBITAL ASSEMBLY

ITEM	PART NO.	DESCRIPTION	QTY.
	107869	ORBITAL BENDI	
1	113019	SEAL KIT	1

HYDRAULIC CONSOLE ASSEMBLY

ITEM	PART NO.	DESCRIPTION	QTY
	109039	FRAME B30-42 (B25, B30, & B35/42)	REF
49	106022	PLACARD, BENDI OPERATOR DATA	1
50	107177	BRACKET, CONSOLE TO FRAME MOUNT	1
51	107182	CONSOLE, ARM REST/VALVE COVER	1
52	107183	COVER, HYDRAULIC HOSES	1
53	107199	KNOB, LIFT	3
54	107539	SCREW, PAN HEAD SSHK #6-32 X 1/2	4
55	108290	PIN, CONSOLE ROTATION	1
56	108662	LEVER, CONTROL LIFT	1
57	108663	LEVER, CONTROL TILT AND SIDESHIFT	2
58	108789	SCREW, RD HEAD MACH 5/16-18 X 3/4	8
59	110435	CONSOLE LIFT, GAS SPRING	1
60	110790	PLATE, CONSOLE MOUNT SPACER	1
61	116145	HORN, BENDI 48V	REF
62	1-512-010005-01	NUT, HEX LOCK 1/4-20 GRB	2
63	1-654-010047-04	SCREW, HEX HEAD CAP 1/4-20 X 3/4 GR5	2
64	107178	VALVE MOUNT CONSOLE	1
65	1-654-010166-04	SCREW, METRIC M8X1.25X20	4
66	115841	SCREW, BUTTON HEAD 1/4-20 X 2-1/4	2
67	115849	SCREW, BUTTON HEAD 1/4-20 X 2-1/2	2
68	1-861-010032-07	WASHER, FLAT 1/4W	2
69	1-512-010003-09	NUT, ESNA 1/4-20	2
70	115696	TUBE, ROUND .5 X .26 X 1.38	2
71	117997	BACKUP, ALARM	1
72	111277	FILTER, BACKUP BPR W/DEUTSCH	1
	110533	ASSEMBLY, BACKUP BEEPER (INCL ITEMS 66-72)	

HEAVY CABLE DIAGRAM (HORIZONTAL POSITIONING)

ITEM	PART NO.	DESCRIPTION	QTY.
1	122047	MOTOR STEERING HP (SEE PAGE 1-47)	1
2	0037001-063	CABLE ASSEMBLY 1/0 X 63	1
3	122048	MOTOR, LIFT (SEE PAGE 1-46)	1
4	30008	BATTERY CONNECTOR BLUE	1
5	0037003-086	CABLE 2/0 X 86 MAIN LEADS	2
6	109040	PANEL, DUAL MOTOR CONTROL ELEC (SEE PAGE 1-65)	REF
7	113420	CABLE ASSEMBLY 1/0 X 14	2
8	0036409	LINE CONTACTOR	REF
9	105494	INSULATOR 600V STANDOFF	REF
11	114609	CABLE ASSEMBLY 1/0 X 30	3
12	113415	CABLE ASSEMBLY 1/0 X 43	1
13	114610	CABLE ASSEMBLY 1/0 X 36	2
14	129643	MOTOR, SHAFT DRIVE 4 KW (B25, B30) (SEE PAGE 1-48)	2
	128298	MOTOR, SHAFT DRIVE 6 KW (B35/42,B35/48, B40, B45) (SEE PAGE 1-49)	2
15	106105	CABLE ASSEMBLY 1/0 X 40	4
16	116486	CABLE ASSEMBLY 1/0 X 50	1
17	113421	CABLE ASSEMBLY 1/0 X 8-1/2	1
18	100218	HANDLE, BATTERY DISCONNECT	1
19	1-654-010165-03	SCREW, HEX HEAD CAP M4X0 7X12	2
20	1-654-010166-04	SCREW, METRIC M8X1 25X20	2

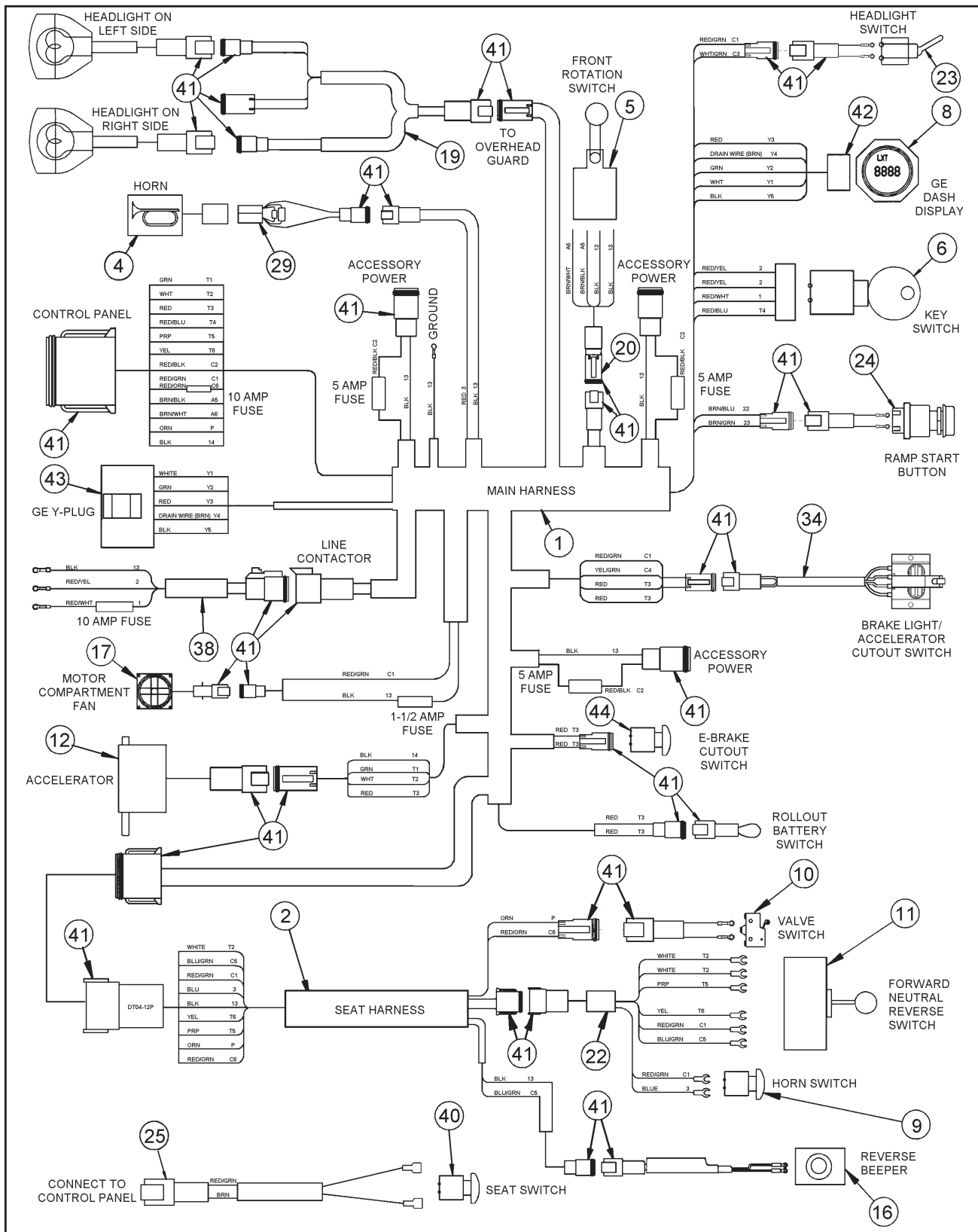


Figure 1-44 Light Wiring Diagram

DECAL PLACEMENT

ITEM	PART NO.	DESCRIPTION	QTY.
	111459	DECAL, B25 DOOR WHITE	2
	115686	DECAL, B25 DOOR ORANGE	2
	108763	DECAL, B30 DOOR YELLOW	2
	109921	DECAL, B30 DOOR RED	2
	111461	DECAL, B30 DOOR WHITE	2
	114760	DECAL, B30 DOOR ORANGE	2
	110483	DECAL, B35 DOOR YELLOW	2
	112253	DECAL, B35 DOOR RED	2
	111460	DECAL, B35 DOOR WHITE	2
	115687	DECAL, B35 DOOR ORANGE	2
	107273	DECAL, B40 DOOR YELLOW	2
	109923	DECAL, B40 DOOR RED	2
	111463	DECAL, B40 DOOR WHITE	2
	114746	DECAL, B40 DOOR ORANGE	2
	110485	DECAL, B45 DOOR YELLOW	2
	112254	DECAL, B45 DOOR RED	2
	111462	DECAL, B45 DOOR WHITE	2
	115688	DECAL, B45 DOOR ORANGE	2
21	107484	DECAL, YELLOW BOWTIE (YELLOW MODELS ONLY)	1
	112246	DECAL, WHITE BOWTIE	1
22	108934	DECAL, LANDOLL DOOR (YELLOW MODELS ONLY)	2
	112247	DECAL, WHITE LANDOLL DOOR	2
23	110815	DECAL, HYDRAULIC OIL LEVEL	1
24	110816	DECAL OVERRIDE BRAKE SWITCH	1
25	2-573-010335	DECAL, DANGER PINCHING	2
26	110817	DECAL, ON/OFF SWITCH	1
27	111009	DECAL, HORN BENDI	1
28	105360	DECAL, ROTATION IND. WHITE	2
29	0012530	DECAL, TILT INDICATOR	2
30	111343	TAPE, RIGHT SIDE B30 (B25, B30, B35/42)	1
31	111323	TAPE, RIGHT SIDE B40 (B35/48, B40, B45)	1
32	111342	TAPE, LEFT SIDE B30 (B25, B30, B35/42)	1
33	111324	TAPE, LEFT SIDE B40 (B35/48, B40, B45)	1
34	108940	DECAL, BENDI DOOR RED (UK RED MODELS ONLY)	2
	113263	DECAL, ORANGE BENDI DOOR	2
35	109897	DECAL, RED BENDI (UK RED MODELS ONLY)	1
	113264	DECAL, ORANGE BENDI	1
36	102159	DECAL, CAUTION, ROLL-OUT BATTERY	1
37	104808	DECAL, ES TRUCK	2
38	105563	PLACARD, EE, FM APPROVED	1
39	0010122	DECAL, EE TRUCK	2
40	10036	FASTENER, SERIAL NUMBER PLATE	4
41	106544	ANTI-SLIP TAPE, BLACK	AR

CLICK HERE TO **DOWNLOAD** THE COMPLETE MANUAL

- Thank you very much for reading the preview of the manual.
- You can download the complete manual from: www.heydownloads.com by clicking the link below



- Please note: If there is no response to CLICKING the link, please download this PDF first and then click on it.

CLICK HERE TO **DOWNLOAD** THE COMPLETE MANUAL