



Model LSC Series LSC25AC AND LSC30AC Parts Manual



LANDOLL CORPORATION

1900 North Street
Marysville, Kansas 66508
(785) 562-5381
800-428-5655 ~ **WWW.LANDOLL.COM**

CLICK HERE TO **DOWNLOAD** THE COMPLETE MANUAL

- Thank you very much for reading the preview of the manual.
- You can download the complete manual from: www.heydownloads.com by clicking the link below



- Please note: If there is no response to CLICKING the link, please download this PDF first and then click on it.

CLICK HERE TO **DOWNLOAD** THE COMPLETE MANUAL

BATTERY COUNTERWEIGHTS ASSEMBLY (OPTIONAL)

ITEM	PART NO.	DESCRIPTION	QTY.
1	126802	SCREW, HCS M16 - 2 X 40	2
2	161404	WASHER, LOCKING HELICAL M20	4
3	162589	PLATE, BATTERY LOWER COUNTERWEIGHT LSC	8
4	162590	PLATE, BATTERY UPPER COUNTERWEIGHTLSC	1
5	162655	SCREW, HCS M20 - 2 X 150	4
6	162659	NUT, M16 - 2 HEX	2
7	18EM1632ER	WASHER, FLAT NARROW M16	2
8	18EM2040ER	WASHER, FLAT NARROW M20	4
9	1DM20ER	NUT, M20 - 2.5 HEX	4
10	6EM160ER	WASHER, LOCKING HELICAL M16	2

Not all parts are used in every option.

Refer to sales order.

BRAKE PEDAL AND MASTER CYLINDER ASSEMBLY (AFTER)

ITEM	PART NO.	DESCRIPTION	QTY.
	160489	BRAKE PEDAL ASSEMBLY (AFTER SERIAL NUMBER 6616)	
1	0012212	FITTING, BRAKE MICO	1
2	0012214	WASHER, COPPER MICO BRAKE	1
3	0012215	WASHER, COPPER MICO BRAKE SMALL	1
4	0043056	SWITCH, VALVE MICRO	1
5	1-654-010158-02	SCREW, ROUND HEAD SQUARE NECK 1/4 - 20 X 1	2
6	1-861-010032-01	WASHER, FLAT #6	2
7	101967	NUT, HEX JAM M10 X 1.5	1
8	101988	NUT, HEX SELFLOCKING 7/16 - 14UNC	2
9	108417	NUT, HEX FLANGE SPIRALOCK 1/4 - 20	2
10	117437	BUSING, BRAKE PEDAL PIVOT	1
11	131214	SPRING, BRAKE RETURN	1
12	13E6ER	WASHER, LOCKING INTERNAL TOOTH #6	2
13	141808	SCREW, HEX HEAD CAP 7/19 - 14UNC X 3.5	2
14	149443	WASHER, FLAT M10	1
15	160416	PLATE, MASTER CYLINDER CRANK	1
16	160490	BRAKE PEDAL BASE WELDMENT	1
17	160494	BRAKE PEDAL WELDMENT	1
18	161924	PAD, BRAKE PEDAL 2.5 X 3	1
19	163975	PLATE, BRAKE SWITCH MOUNT	1
20	1CM1025ER	SCREW, M10 - 1.5 X 25	2
21	2024-2-4S	ADAPTER, ELBOW	1
22	22-0606	MASTER CYLINDER	1
23	22-0627	PUSH ROD	1
24	22-0628	BOOT, PUSH ROD	1
25	25028	SWIVEL FITTING MICO	1
26	3-557-010253	PIN ASSEMBLY, YOKE 3/8	1
27	6EM100ER	WASHER, LOCKING HELICAL M10	1
28	85G616E	SCREW, SLOTTED PAN HEAD	2

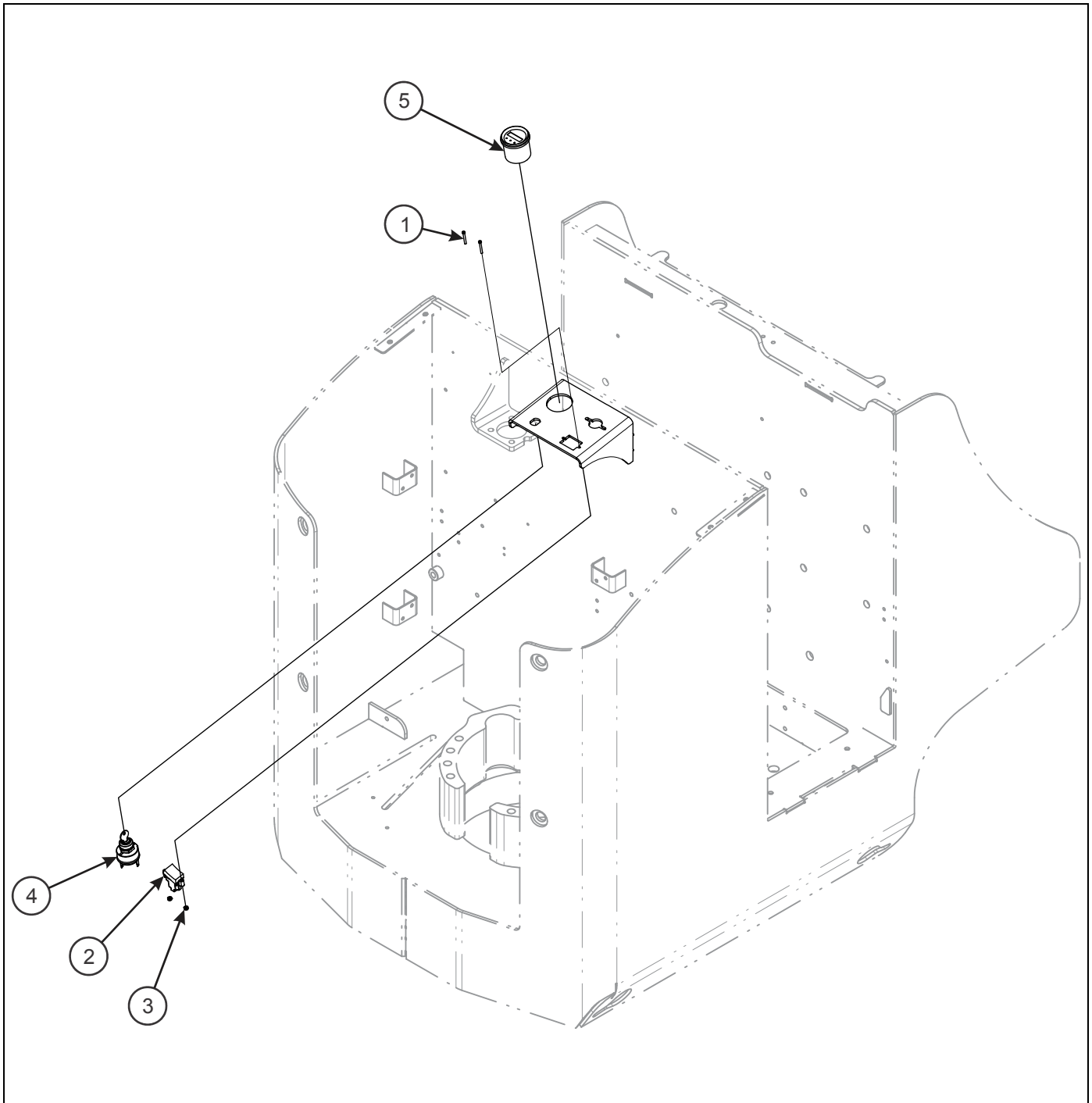


Figure 2-18: Dash Panel Assembly

DASH PANEL ASSEMBLY

ITEM	PART NO.	DESCRIPTION	QTY.
1	1-654-010024012	SCREW, MACHINED SLOTTED #6 - 32UNC X 1.125	2
2	107228	TOGGLE SWITCH, MICRO	1
3	12412476-02	NUT, SELF LOCKING HEX 6 - 32	2
4	135617	KEYSWITCH, 2 POSITION	1
5	139784	DISPLAY, CURTIS DASH	1

Parts 1, 2 & 3 are for optional lights.

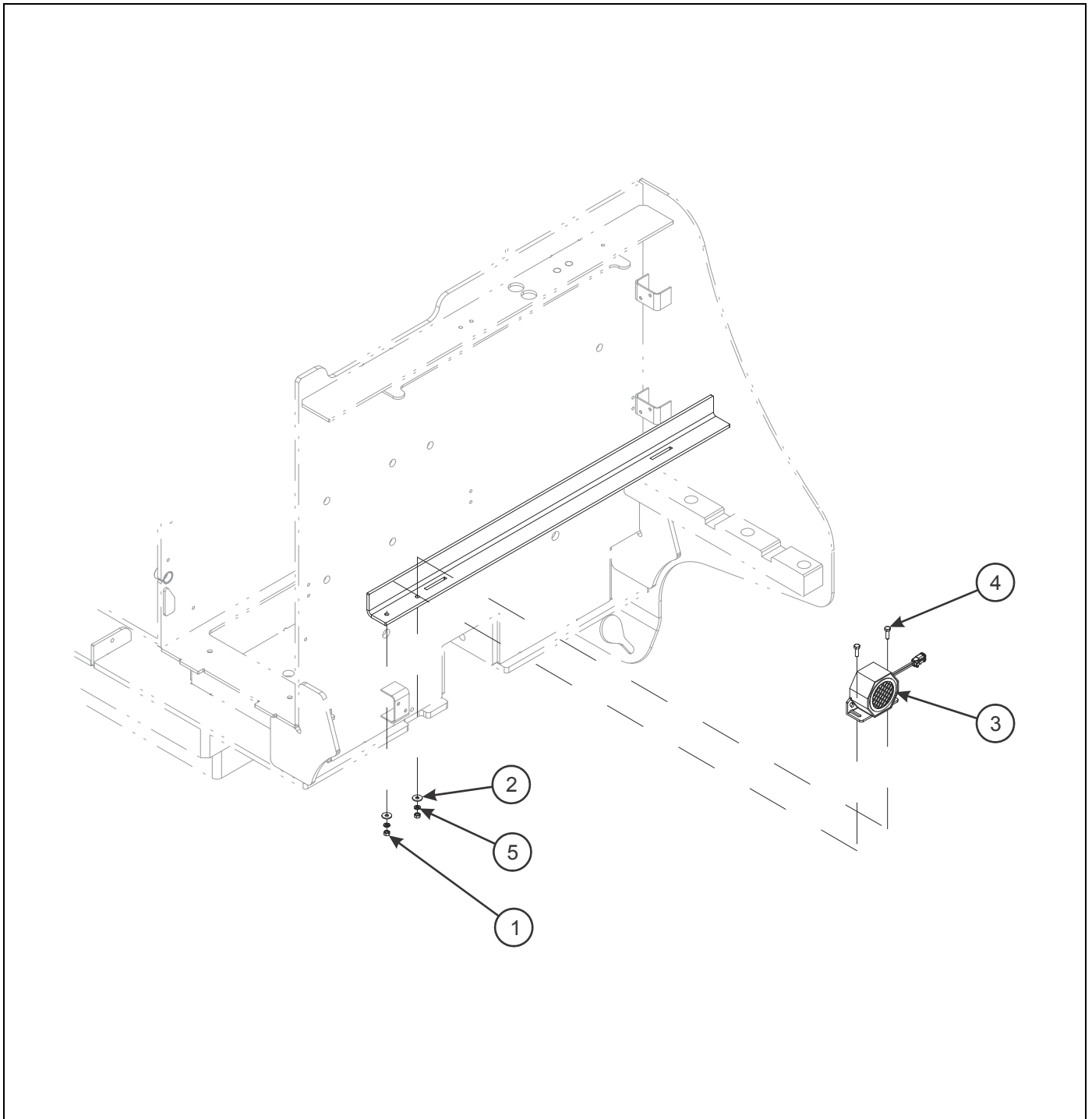


Figure 2-26: Horn

HORN ASSEMBLY

ITEM	PART NO.	DESCRIPTION	QTY.
1	1-513-010002-05	NUT, M6 - 1 HEX	2
2	1-861-010061-08	WASHER, FLAT STANDARD M6	2
3	116144	HORN, BT ELECTRONIC	1
4	1CM620ER	SCREW, M6 - 1 X 20	2
5	6EM60ER	WASHER, LOCKING HELICAL M6	2

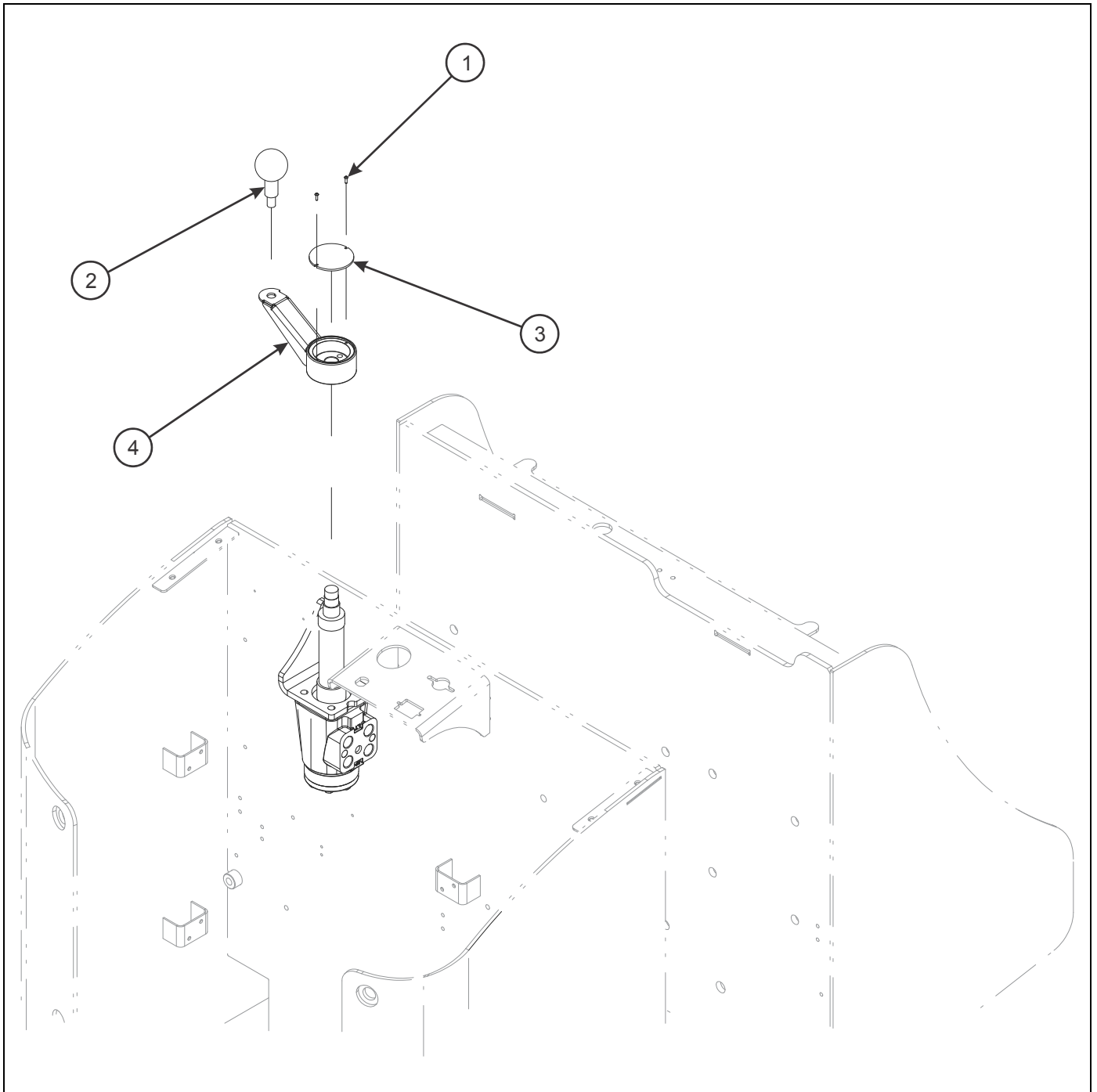


Figure 2-35: Steer Handle Installation

STEER HANDLE ASSEMBLY

ITEM	PART NO.	DESCRIPTION	QTY.
1	161047	SCREW, SOCKET BUTTON HEAD	2
2	161320	KNOB, WSKK STEER WHEEL SPINNER	1
3	161356	PLATE, STEER CRANK COVER LSC	1
4	161357	STEER CRANK WELDMENT LSC	1

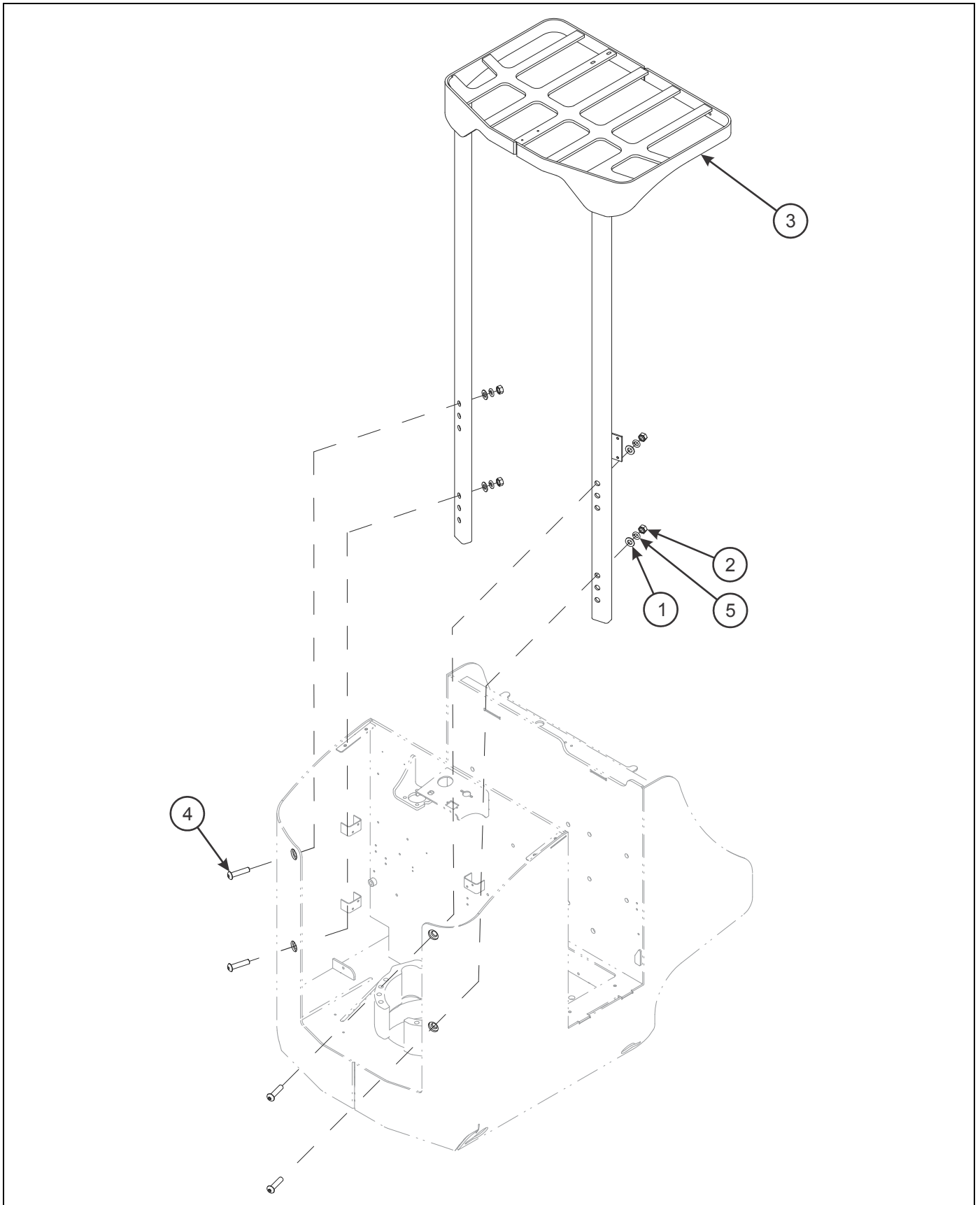


Figure 2-42: Overhead Guard

REAR DOOR ASSEMBLY

ITEM	PART NO.	DESCRIPTION	QTY.
	163140	KIT, REAR DOOR	
1	1-861-010032-06	WASHER, FLAT #12	6
2	106955	SCREW, BUTTON HEAD SOCKET CAP 1/4 - 20UNC X 3/4	6
3	107470	NUT, FLANGE HEAD SPIRALOCK 3/8 - 16UNC	1
4	108545	HINGE, DOOR FRAME	2
5	108797	WASHER, 1/4 LOCKING INTERNAL TOOTH	6
6	115668	RING, RETAINING EXTERNAL 1/4	4
7	115673	NUT, HEX FLANGE SPIRALOCK 10 - 32	3
8	117473	SPRING, EXTENSION 3/8 X 1.57	1
9	119741	PIN, DOOR HINGE	2
10	121443	SCREW, BUTTON HEAD SOCKET CAP 10 - 32UNC X 1/2	3
11	128306	SPACER, DOOR LATCH MOUNT	1
12	128757	WASHER, DOOR LATCH RETAINER	1
13	130405	SCREW, BUTTON HEAD SOCKET CAP 3/8 - 16UNC X 1.25	1
14	162557	DOOR, REAR	1
15	162558	HANDLE, REAR DOOR	1
16	162562	PLATE, DOOR HINGE SPACER	2
17	162588	COVER, REAR DOOR LATCH	1

CLICK HERE TO **DOWNLOAD** THE COMPLETE MANUAL

- Thank you very much for reading the preview of the manual.
- You can download the complete manual from: www.heydownloads.com by clicking the link below



- Please note: If there is no response to CLICKING the link, please download this PDF first and then click on it.

CLICK HERE TO **DOWNLOAD** THE COMPLETE MANUAL