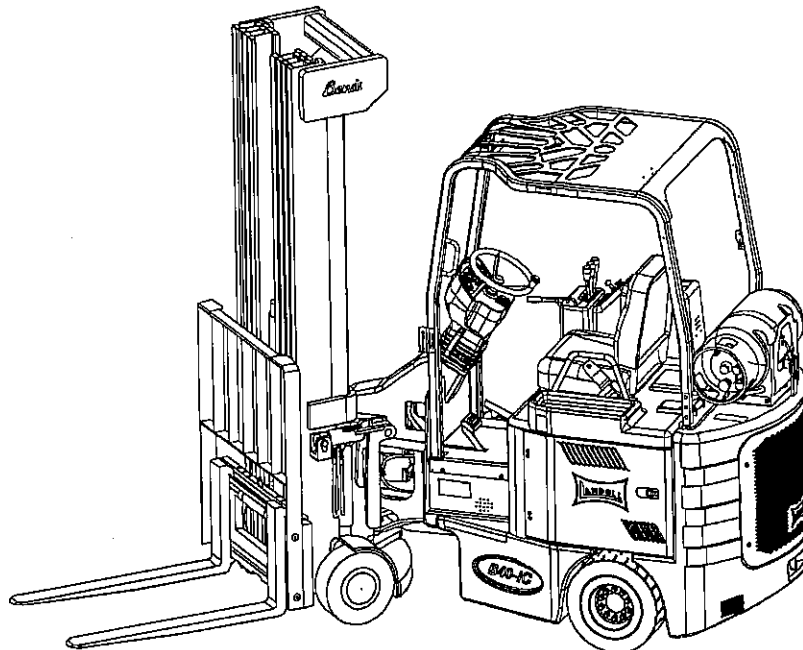




*Bendi*  
**BENDI SERIES IC  
PARTS LIST**



**1900 NORTH STREET  
MARYSVILLE, KANSAS 66508  
(785) 562-5381**

CLICK HERE TO **DOWNLOAD** THE COMPLETE MANUAL

- Thank you very much for reading the preview of the manual.
- You can download the complete manual from: [www.heydownloads.com](http://www.heydownloads.com) by clicking the link below



- Please note: If there is no response to CLICKING the link, please download this PDF first and then click on it.

CLICK HERE TO **DOWNLOAD** THE COMPLETE MANUAL

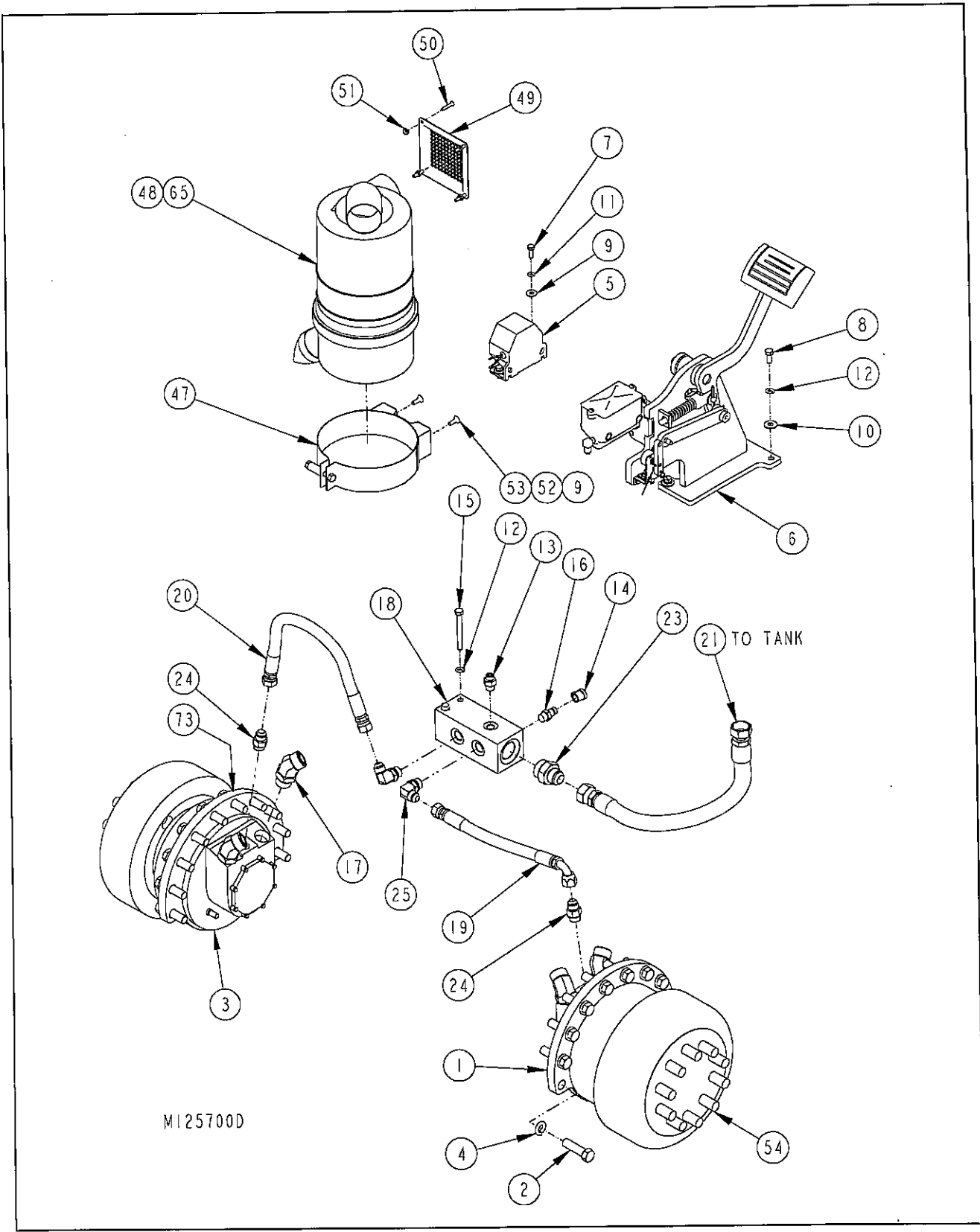


Figure 1-5 Body Assembly - Hydraulic (2 of 2)

## OVERHEAD GUARD AND LIGHTING ASSEMBLY

ITEM	PART NO.	DESCRIPTION	QTY.
48	111332	SCREW, MACH SLTD FIL HEAD #10-24 X 1-1/2	
49	119520	LIGHT, 12V TAIL	
50	3-343-010014-53	GROMMET, HOLE 5/16 DIA	
51	127991	BRACKET, BACKUP ALARM MOUNT	

NOTE: QUANTITIES NOT SHOWN ON ITEMS 13 - 51 DUE TO VARIETY OF COMBINATIONS WITH ALARM AND LIGHT KIT OPTIONS.

	ALARM AND LIGHT KITS
125972	BEEPER, BACKUP ALARM (ITEMS 13-19, 51)
125973	TALKING BACKUP ALARM (ITEMS 13-16, 19-20, 51)
125974	FLASHING, BACKUP ALARM (ITEMS 21-31)
125975	BEEPER, FLASHER, BACKUP ALARM (ITEMS 13-19, 21-32, 51)
125976	OVERHEAD GUARD LIGHTS (ITEMS 33-40)
125977	REAR WORK LIGHTS (ITEMS 23-24, 27-29, 39-40)
125978	REAR SAFETY LIGHTS (ITEMS 21, 23-24, 27-29, 41-50)
125979	FLASHER (ITEMS 21-29, 31-32)
125980	OHG HDLT, RR WORKLIGHT (ITEMS 23-24, 27-29, 33-39)
125981	OHG HDLT, RR SAFETY LT (ITEMS 21, 23-24, 27-29, 33-50)
125982	OHG HEADLIGHTS, FLASHER (ITEMS 21-29, 31-40)
125983	LIGHTS, RR WORK, RR SAFETY (ITEMS 21, 23-24, 27, 39-50)
125984	LIGHTS, REAR WORK, FLASH (ITEMS 21-29, 31-32, 39-40)
125985	LIGHTS, REAR SAFETY, FLASH (ITEMS 21-29, 31-32, 41-50)
125986	OHG HDLT, RR WK, RR SAFE (ITEMS 21, 23-24, 27-29, 33-50)
125987	OHG HEAD, REAR WORK, FLASH (ITEMS 21-29, 31-40)
125988	OHG HEAD, REAR SAFETY, FLASH (ITEMS 21-29, 31-50)
125989	RR WORK, RR SAFETY, FLASH (ITEMS 21-29, 31-32, 39-50)
125990	OHG HDLT, RR WORK, RR SAFETY, FLASH (ITEMS 21-29, 31-50)
128232	FLASHING W/ LIGHT OPTION (ITEMS 21-26, 30)
128233	FLASH, BEEP W/ LIGHT OPTION (ITEMS 13-17, 19, 21-26, 30, 51)

## DRIVE WHEEL ASSEMBLY

ITEM	PART NO.	DESCRIPTION	QTY.
	126638	WHEEL ASSY 7" LP	
1	126199	WHEEL CASTING	2
2	0010998	TIRE, 18 X 7 - 12-1/8, PRESS-ON	2
3	126639	WHEEL NUTS FOR DRIVE MOTORS	10

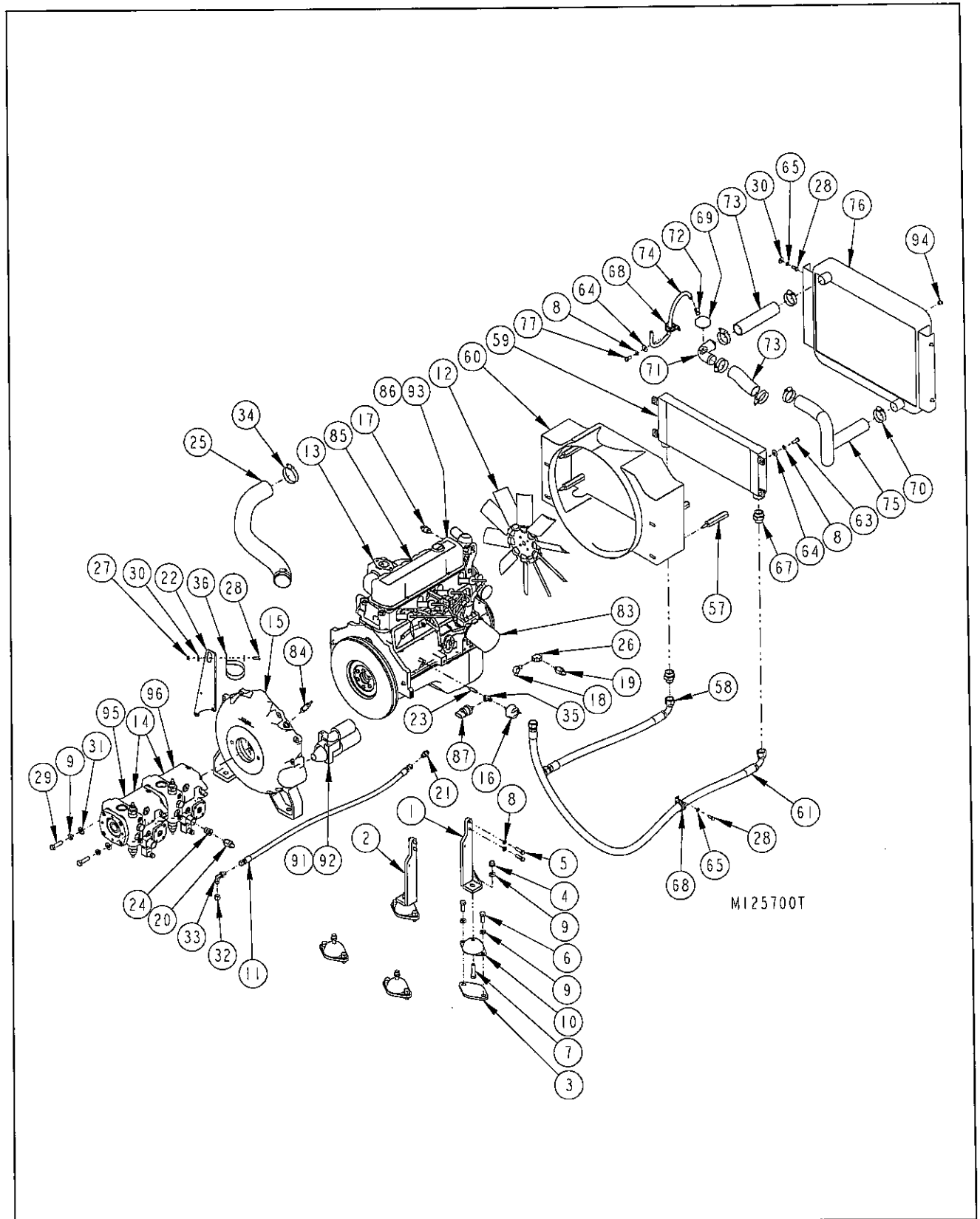


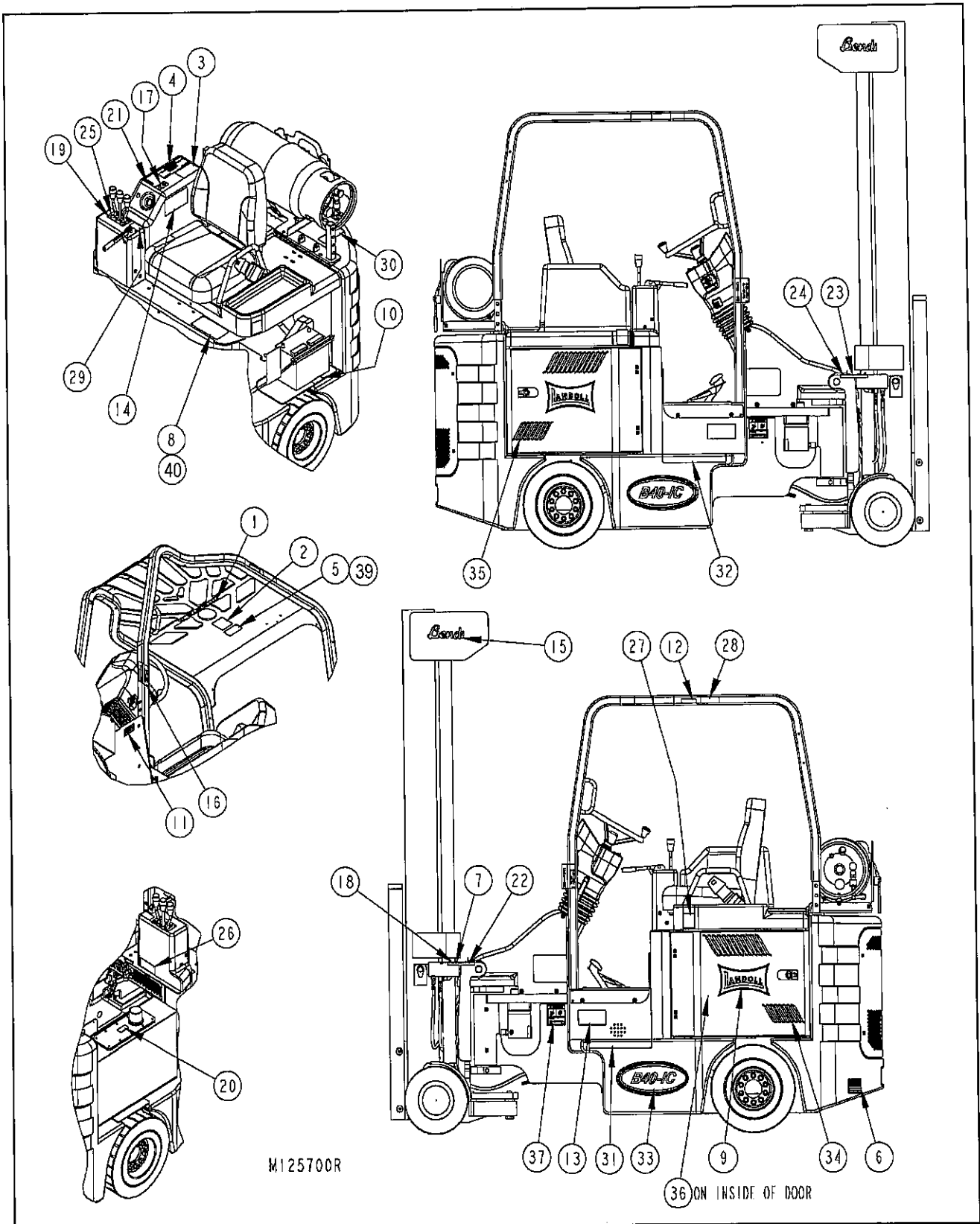
Figure 1-20 Engine Installation (2 of 2)

## ZENITH LP FUEL SYSTEM

ITEM	PART NO.	DESCRIPTION	QTY.
1	127998	THROTTLE BODY ASSEMBLY W/ ECU	1
2	----	MANIFOLD ADAPTER KIT	2
3	128004	MANIFOLD GASKET KIT (INTAKE AND THROTTLE BODY GASKETS)	1
4	128005	LIQUID PROPANE GAS INJECTOR W/ 2 O-RINGS	1
5	128006	INJECTOR O-RINGS, TOP AND BOTTOM	1
6	----	LPG THROTTLE BODY FUEL INLET	1
7	----	INJECTOR MOUNTING PLATE AND SCREWS	1
8	128007	AIR TEMPERATURE SENSOR	2
9	128008	MANIFOLD ABSOLUTE PRESSURE SENSOR	2
10	127997	ELECTRONIC CONTROL UNIT (ECU) W/ SCREWS	1
11	----	ECU MOUNTING PLATE AND SCREWS	2
12	127999	THROTTLE BODY ASSEMBLY W/O ECU	1
13	----	COOLANT PLUG	1
14	121572	LP FUEL FILTER	2
15	128009	COOLANT AND TEMPERATURE SENSOR	1
16	128002	FUEL INJECTION VAPORIZER ASSEMBLY	1
17	128003	LP SECONDARY REGULATOR ASSEMBLY	1
18	127586	LP PRIMARY REGULATOR ASSEMBLY	1
19	----	LP HOSE NIPPLE - PRIMARY TO SECONDARY	1
20	----	VAPORIZER BRACKET	1
21	125561	LP LOCKOFF VALVE	1
22	----	ELBOW FITTING - LP OUTLET	1
23	----	ELBOW FITTING - WATER CHANNEL	1
24	----	ELBOW FITTING - WATER CHANNEL	1
25	----	RETAINING SCREWS	4
26	----	ELBOW - LP INLET	1

## ELECTRICAL INSTALLATION

ITEM	PART NO.	DESCRIPTION	QTY.
1	104877	SCREW, HEX HEAD CAP 1/4-20 X 1/2	1
2	111604	RED LED 12 VDC @ 20mA	2
3	119704	SCREW, HEX SOCKET CTSK 1/4-20 X 5/8	3
4	122174	BATTERY HOLDDOWN WELDMENT	1
5	122691	BRACKET, LCD READOUT MOUNT	1
6	123043	MICROCONTROLLER, HYDRAULIC	1
7	123045	CONNECTOR, DIAGNOSTIC	1
8	126167	PLACARD, DIAGNOSTIC	1
9	126266	HARNESS ASSEMBLY, CONTROLLER (NOT SHOWN)	1
10	126267	HARNESS ASSEMBLY, MAIN (NOT SHOWN)	1
11	126271	HARNESS, SPEED SENSOR, LH (NOT SHOWN)	1
12	126272	HARNESS, SPEED SENSOR, RH (NOT SHOWN)	1
13	126891	MOUNT, RUBBER STUD	3
14	127358	SCREW, HEX SOCKET BUTTON HEAD #4-40 X 1/2	2
15	1-512-010005-05	NUT, HEX LOCK 3/8-16 GRB	2
16	1-654-010034-03	SCREW, HEX SOCKET CTSK 5/16-18 X 3/4	2
17	1-654-010047-12	SCREW, HEX HEAD CAP 1/4-20 X 2-1/2 GR5	2
18	1-656-010003076	SCREW, RD HEAD MACH #10-32 X 1/2	1
19	1-861-010032-07	WASHER, FLAT 1/4W	3
20	1-861-010034-09	WASHER, SPLIT LOCK 1/4	3
21	103-0633	NUT, ESNA #4-40	2
22	118-5252	NUT, HEX ESNA #10-32	1
23	239-8113-18	CABLE, BATTERY NEGATIVE	1
24	2481X	BATTERY 12 VOLT	1
25	3-120-010124	BATTERY CLAMP BRACKET	1
26	514-9045-24	CABLE, BATTERY POSITIVE	1
27	519-9978	RELAY SPDT QUICK CONNECT	1



M125700R

36 ON INSIDE OF DOOR

Figure 1-36 Decal Installation

CLICK HERE TO **DOWNLOAD** THE COMPLETE MANUAL

- Thank you very much for reading the preview of the manual.
- You can download the complete manual from: [www.heydownloads.com](http://www.heydownloads.com) by clicking the link below



- Please note: If there is no response to CLICKING the link, please download this PDF first and then click on it.

CLICK HERE TO **DOWNLOAD** THE COMPLETE MANUAL