



Bendi®

Bendi B55AC / B55AC HL Parts Manual



LANDOLL CORPORATION

1900 North Street

Marysville, Kansas 66508

(785) 562-5381

800-428-5655 ~ WWW.LANDOLL.COM

CLICK HERE TO **DOWNLOAD** THE COMPLETE MANUAL

- Thank you very much for reading the preview of the manual.
- You can download the complete manual from: www.heydownloads.com by clicking the link below



- Please note: If there is no response to CLICKING the link, please download this PDF first and then click on it.

CLICK HERE TO **DOWNLOAD** THE COMPLETE MANUAL

Brake Pedal Assembly

ITEM	PART NUMBER	DESCRIPTION	QTY.
	152812	PEDAL ASSY, BT/AC BRAKE	
1	0050002	PAD, BRAKE PEDAL	1
2	100131	SCREW HHC,3/8-16UNCX7/8 GR5	1
3	100132	NUT HX JAM 5/16-24UNF GR2	1
4	100134	MASTER CYLINDER, TOL-O-MATIC	1
5	101386	PIN, COTTER, 1/8X1	1
6	113089	SWITCH ASSY,BRK LGT/ACLTR C/O	1
7	117435	YOKE, BT MASTER CYL PUSHROD	1
8	117437	BUSHING, BT BRAKE PEDAL PIVOT	1
9	131208	PLATE,BT MASTER CYL CRANK	1
10	131213	PEDAL WLDMT,BT BRAKE	1
11	152814	BASE WLDMT, BT/AC BRAKE PEDAL	1
12	153231	PLATE, BT/AC BRAKE POT MNT	1
13	153232	SPRING, BT/AC BRAKE RETURN	1
14	155689	ASSY, AC LIFTTRUCK BRAKE POT	1
15	162563	PIN,CLEVIS 5/16 X 1-3/8 ZP	1
16	1-512-010007-07	NUT, HEX 3/8-16 ZP	1
17	1-654-010051-05	SCREW,HEX CAP 3/8-16UNCX1 GR5	2
18	1-654-010051-07	SCREW,HEX CAP,3/8-16UNCX1-1/2	1
19	1-861-010032-03	WASHER, FLAT #10 ZP/CD	5
20	1-861-010032-08	WASHER,FLAT 5/16 ZP	1
21	1-861-010032-10	WASHER, FLAT 3/8" N ZP/CD	2
22	1-861-010032-11	WASHER, FLAT 3/8 W ZP/CD	1
23	1-861-010034-07	WASHER,LKG,HLCL SPR, NO 10	4
24	1-861-010034-11	WASHER, LKG HLCL SPR, 3/8	3
25	107-1001	SCREW,HEX HD #10-24 X .62 LG	5
26	118-2681-3	ADAPTOR,JIC ELBOW	1
27	25E2E	WASHER,FLAT #2	2
28	85G208E	SCREW PAN HD SLT 2-56X1/2	2

Counterweight Installation

ITEM	PART NO.	DESCRIPTION	QTY.
1	1-654-010125-13	SCREW,HX CP 1-8UNCX4, GR8	4
2	1-654-010125-18	SCREW HEX CAP,1-8UNCX6-1/2GR8	3
3	1-861-010034-21	WASHER, LKG HEL SPRG 1IN	7
4	110-7389	1 IN SAE FLAT WASHER ZP	4
5	127759	PLUG MAGNETIC #8 SAE 3/4-16	1
6	157518	COUNTERWEIGHT, B55 LH	1
7	157519	COUNTERWEIGHT, B55 RH	1
8	157520	COUNTERWEIGHT, B55 REAR	1
9	159787	FRAME WLDMT B55-5/56	1
9	165908	FRAME WLDMT, B55HL-5/56	1

Decal Placement

ITEM	PART NO.	DESCRIPTION	QTY.
1	100218	HANDLE, BATTERY DISCONNECT	1
2	103804	DECAL, OHG PINCH PT	2
3	107-0828	POP RIVET 5/32 CHERRY #BSP52	8
4	125528	DECAL, APPLY PARK BRAKE	1
5	130602	DECAL,DREXEL YELLOW BENDI 8	2
6	130603	DECAL,DREXEL YELLOW BOW-TIE	1
7	151430	DECAL,BENDI 12 (BLACK)	2
8	152870	DECAL,BLK OUTLINE 20" LANDOLL	2
9	158982	DECAL, B55AC SIDE	2
10	163857	DATA PLATE, LANDOLL FORKLIFT	1
11	2-573-010335	DECAL, DANGER PINCHING	2
12	159814	PLATE,B55 LWR STEP (NOT SHOWN)	1
13	159815	PLATE,B55 UPR STEP (NOT SHOWN)	1
14	173698	SAFETY LABELS, BT/B3 (INCLUDES EXTRAS)	1

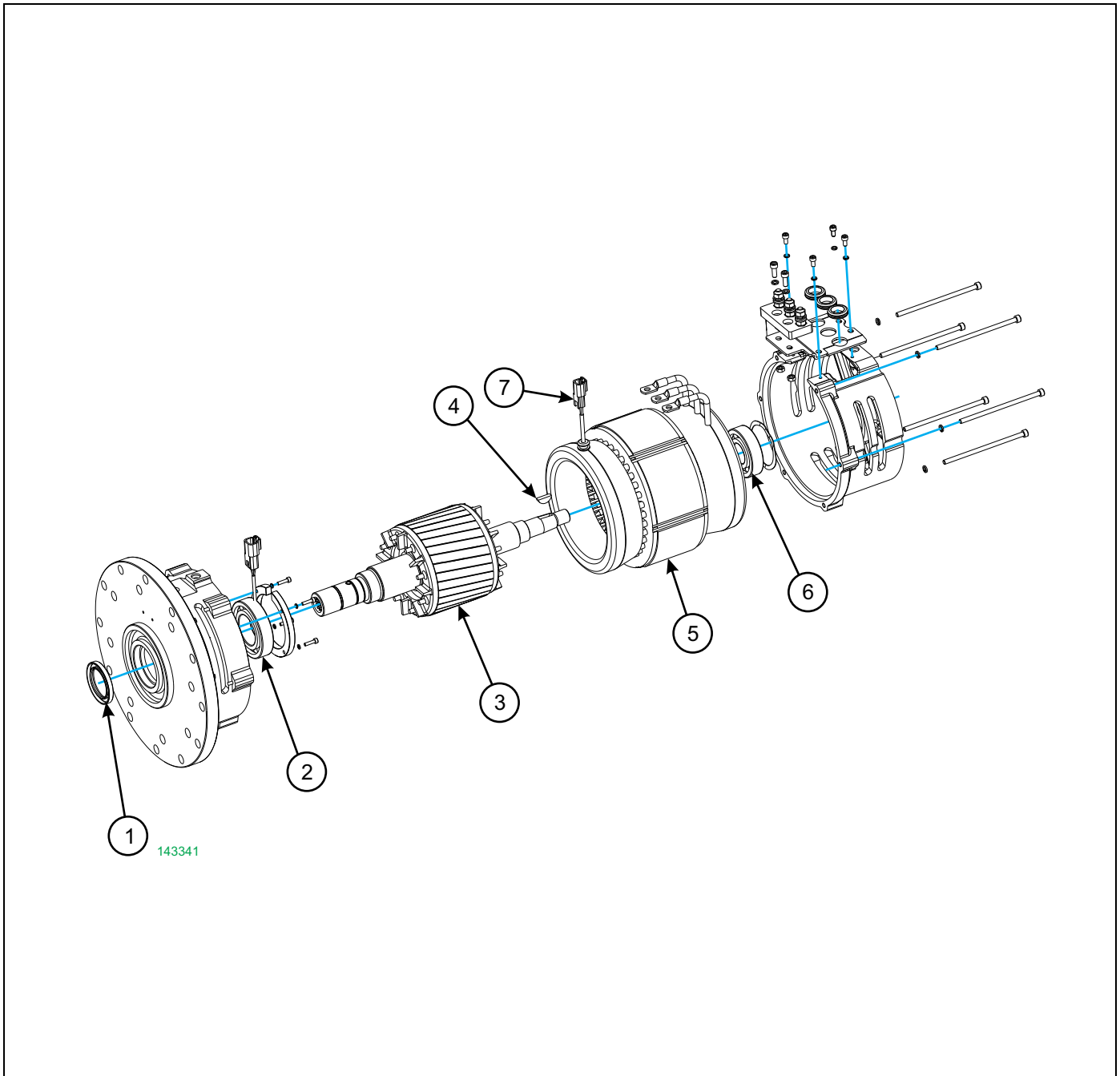


Figure 1-20: Drive Motor Assembly, AC Shaft

Drive Motor Assembly, AC Shaft

ITEM	PART NUMBER	DESCRIPTION	QTY.
	143341	MOTOR,5.7KW AC FLANGE MOTOR	
1	155325	SEAL,BT AC DRIVE MTR SHFT	1
2	155294	BEARING,BTAC DRIVE MTR SENSOR	1
3	155326	ROTOR, 5.7KW DRIVE MTR	1
4	6X9MM KEY	KEY 6X9MM WOODRUFF	1
5	155327	STATOR,5.7KW DRIVE MTR	1
6	155295	BEARING,BT AC DRIVE MTR	1
7	155296	SENSOR, AC MOTOR THERMAL	1

Hydraulics

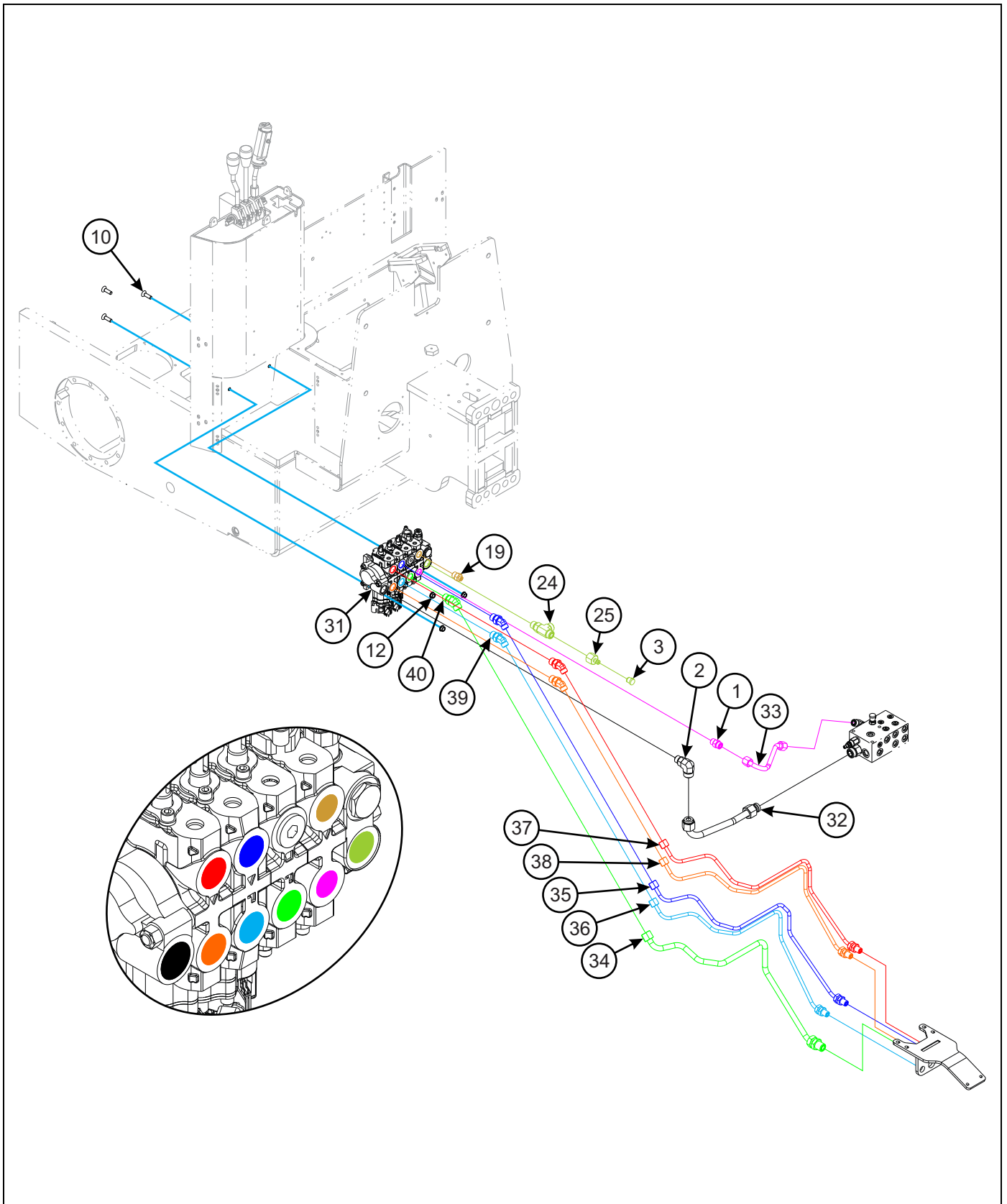


Figure 1-27: Control Valve Installation - B55 Only (1 of 2)

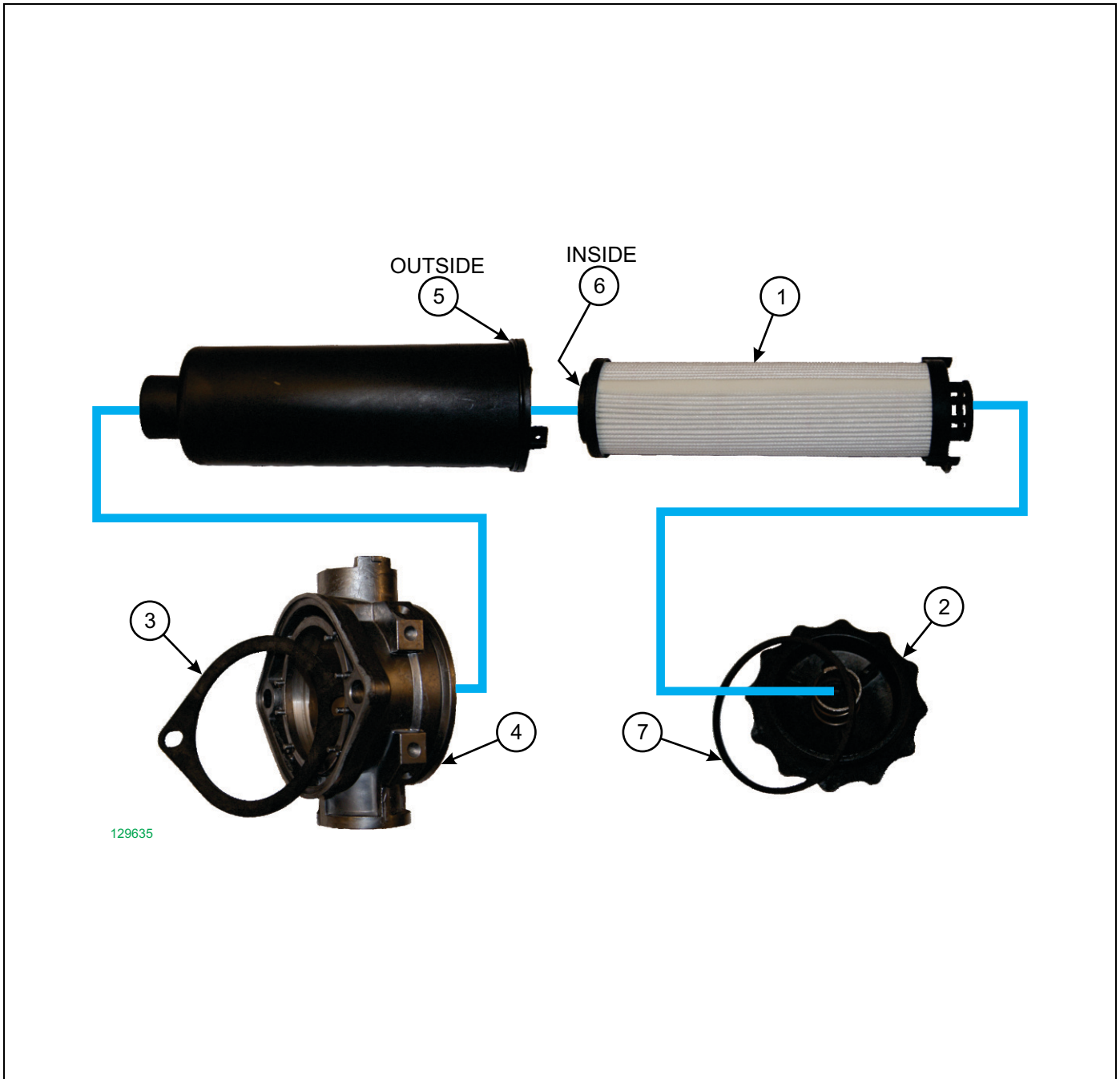


Figure 1-34: In-Tank Filter Assembly

In-Tank Filter Assembly

ITEM	PART NUMBER	DESCRIPTION	QTY.
	129635	FILTER,IN-TANK,NON-VENT,44GPM	
1	112876	REPLACEMENT FILTER ELEMENT	1
2	149560	LID	1
3	149562	GASKET	1
4	151507	SEAL COVER PLATE 84X3.4X3-NBR	1
5	149561	O-RING 71.12X2.62	1
6	168584	O-RING 34X3.5-NBR-70	1
7	149563	SEAL KIT (ALSO INCLUDES ITEMS 3, 5, AND 6)	REF

CLICK HERE TO **DOWNLOAD** THE COMPLETE MANUAL

- Thank you very much for reading the preview of the manual.
- You can download the complete manual from: www.heydownloads.com by clicking the link below



- Please note: If there is no response to CLICKING the link, please download this PDF first and then click on it.

CLICK HERE TO **DOWNLOAD** THE COMPLETE MANUAL

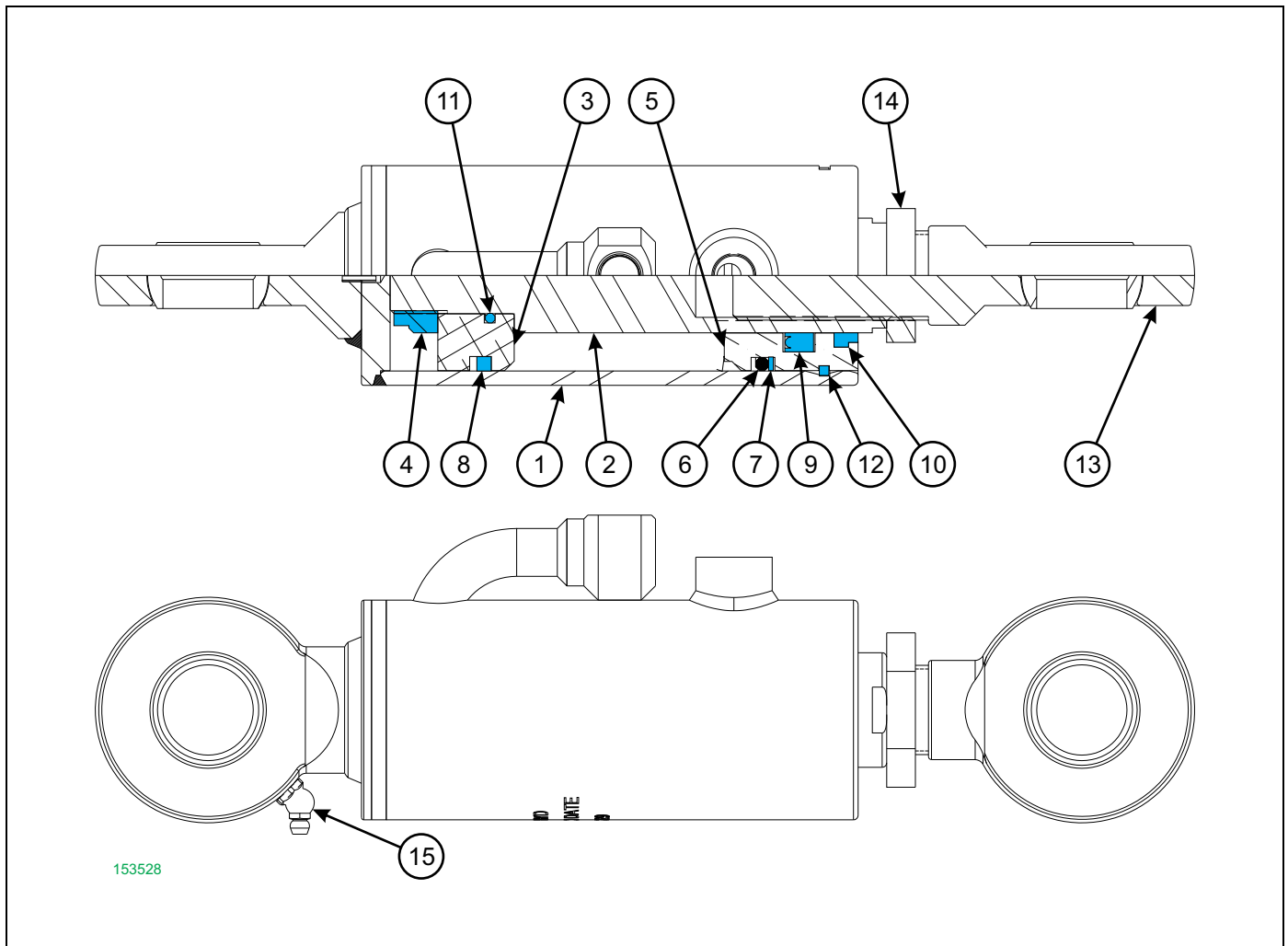


Figure 1-40: Tilt Cylinder, Limited Tilt

Tilt Cylinder, Limited Tilt

ITEM	PART NUMBER	DESCRIPTION	QTY.
	153528	CYLINDER,BT-AC LIMITED TILT	
1		2-1/2" MD BARREL ASSEMBLY	1
2		1-1/2" SHAFT	1
3		2-1/2" PISTON 1" SHAFT (PSP)	1
4		1" LOCK JAM NUT	1
5		2-1/2" MD HEAD 1-1/2" SHAFT (BSS)	1
6		O-RING	1
7		BACKUP	1
8		PSP SEAL	1
9		PPS SEAL	1
10		DUST SEAL	1
11		O-RING	1
12		1/8" KEYSTOCK	1
13		SKF BEARING - SA30C OR EQ	1
14		M30 X 2 HEX NUT	1
15		6 X 1 ZERK, 45°	1
16	153967	REPAIR KIT, TILT CYLINDER (INCLUDES ITEMS 6-11)	REF

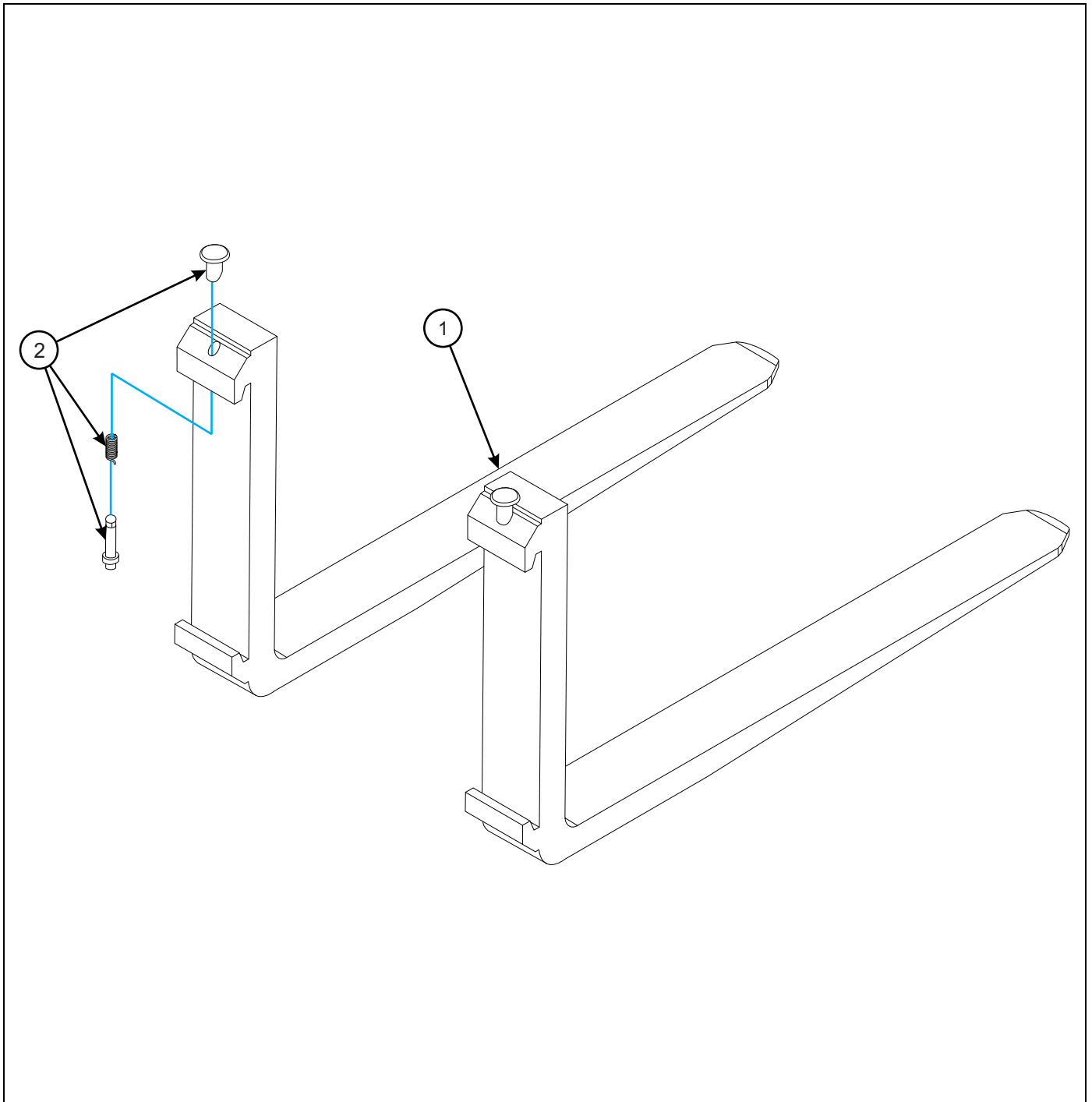


Figure 1-47: Forks

Forks

ITEM	PART NO.	DESCRIPTION	QTY.
1	113006	FORK, 36" KENHAR	2
1	112642	FORK, 42" KENHAR	2
1	125690	FORK, 48" KENHAR	2
1	130252	FORK,40" BTM TRP,TAPER TIP	2
1	133892	FORK,60"CL2 HALF TPR 10" TIP	2
2	112643	PIN KIT KENHAR FORKS	2

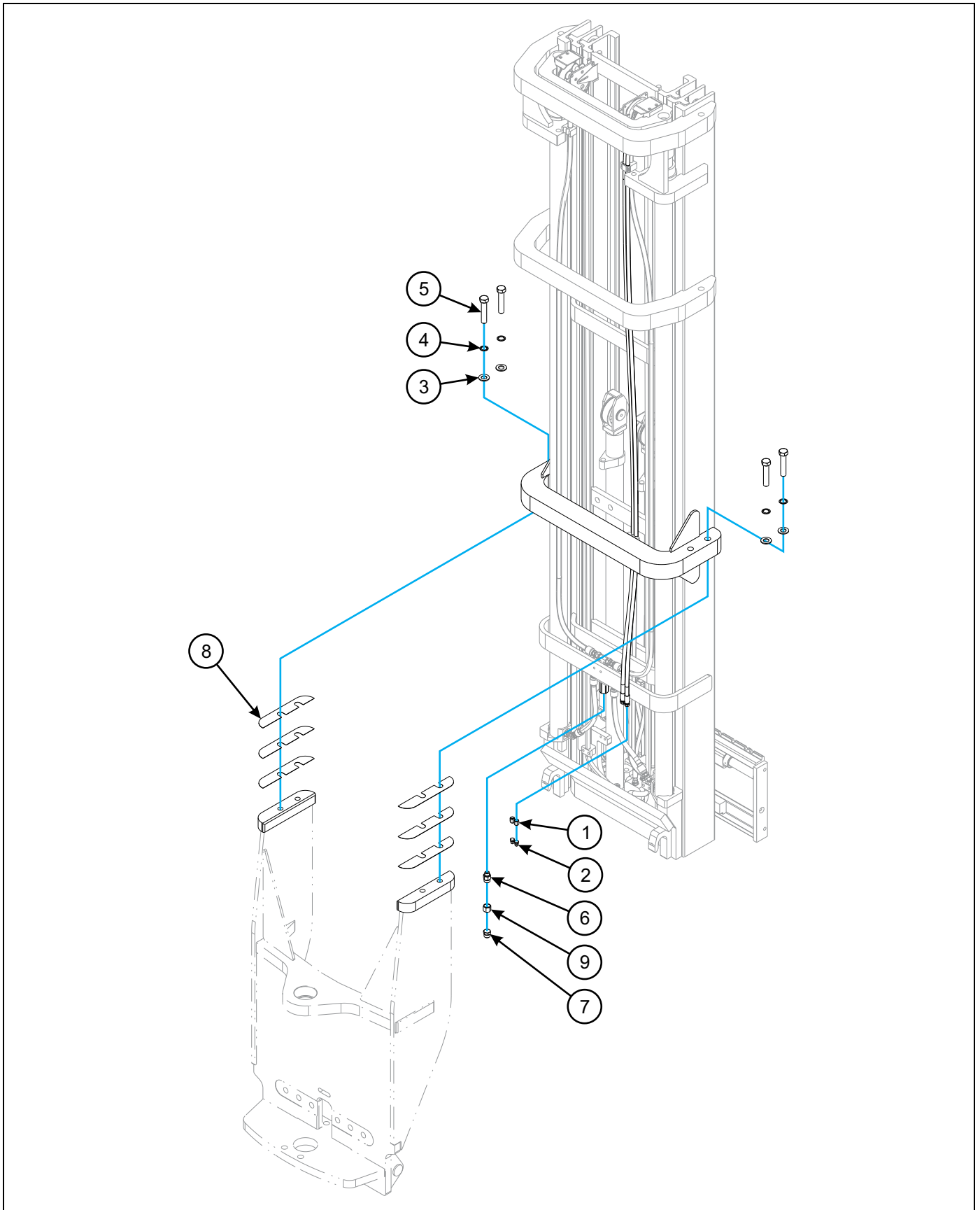


Figure 1-52: Mast Mount Components - B55HL Only

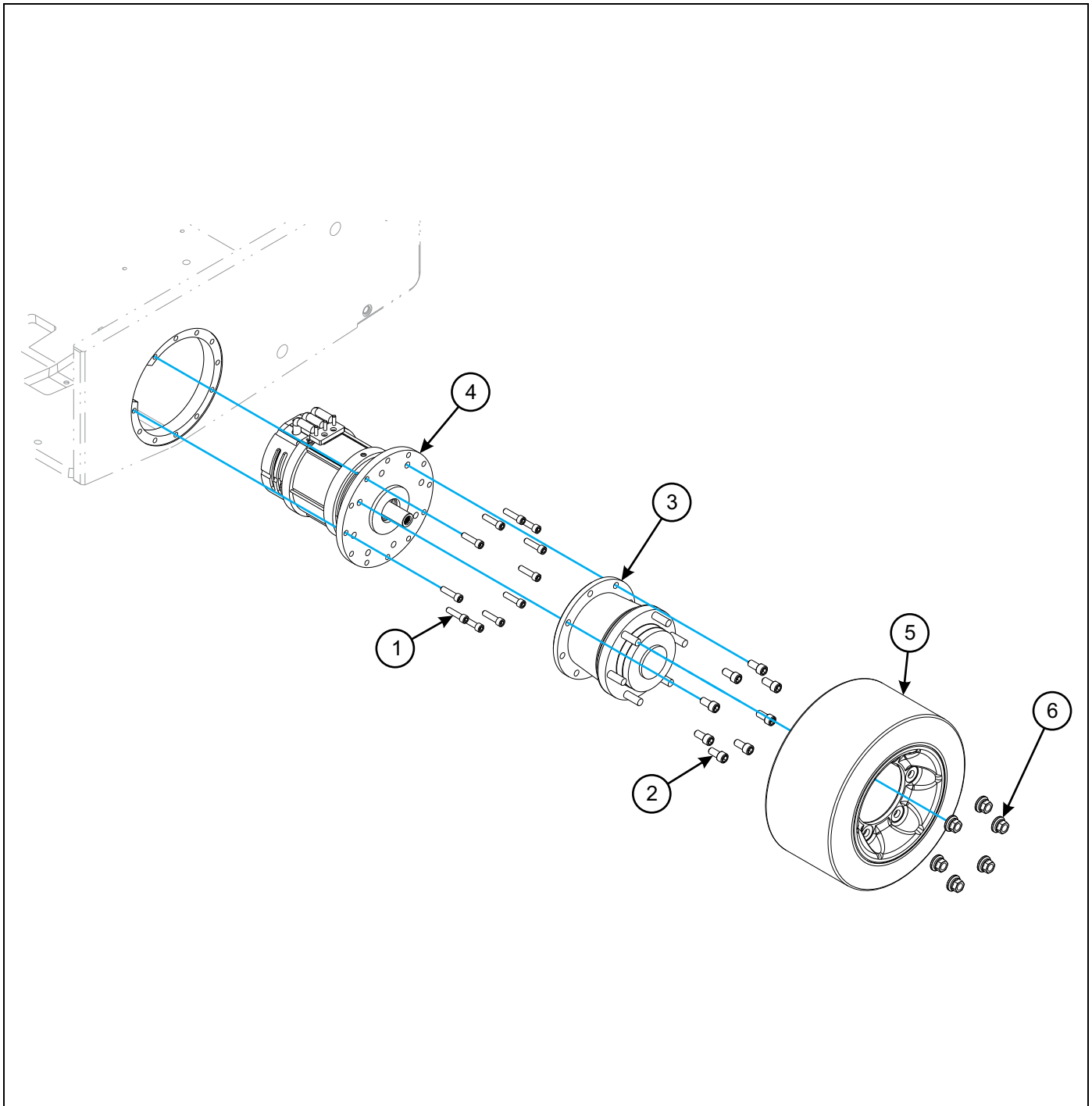
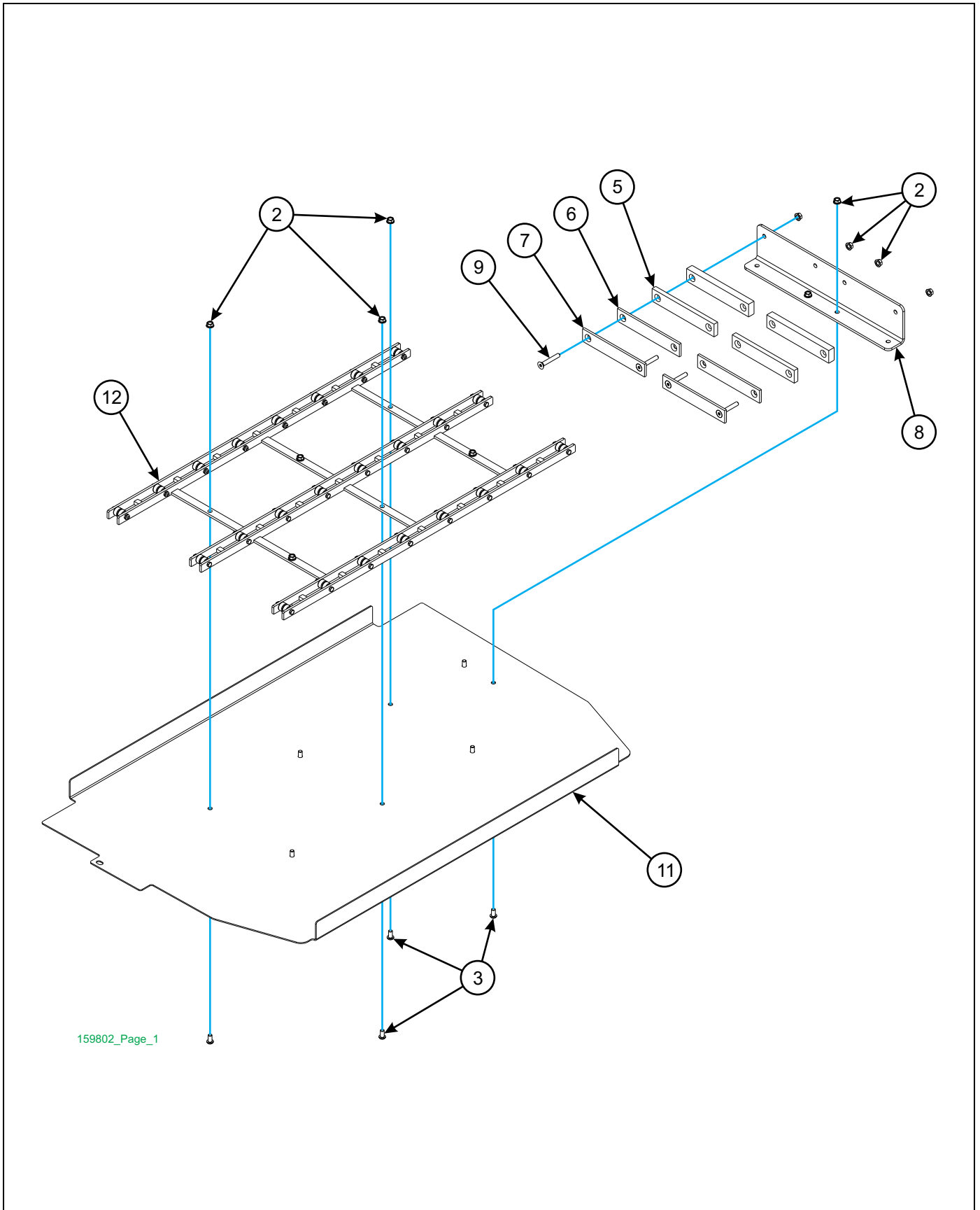


Figure 1-65: Drive Wheel & Motor Installation

Drive Wheel & Motor Installation

ITEM	PART NO.	DESCRIPTION	QTY.
1	128077	SCREW HX SKT 1/2-20X2	22
2	131848	SCREW,HX SKT M16-2.0X35,12.9	16
3	142229	GEARBOX,BREVINI 29:1 (SEE PAGE 1-52)	2
4	143341	MOTOR,5.7KW AC FLANGE MOTOR (SEE PAGE 1-44)	2
5		WHEEL ASSEMBLY (SEE PAGE 1-104)	2
6	131455	LUG NUT,BREVINI M18X1.5	12



159802_Page_1

Figure 1-71: Rollout Battery Tray Assembly (1 of 2)

117435	1-5	127627	1-19
117437	1-5	127640	1-98
117997	1-27, 1-28	127648	1-10
118180	1-81	127649	1-10
118-2680-3	1-9	127759	1-15
118-2681-3	1-5, 1-9	127769	1-110
119547	1-47, 1-51	127919	1-98
119548	1-47, 1-51	127920	1-98
119554	1-86	128077	1-105
119704	1-19	128082	1-100
119734	1-9, 1-21, 1-84	128083	1-41, 1-100
119741	1-13	128084	1-100
121422	1-19	128085	1-41, 1-100
121699	1-60	128086	1-100
123391	1-98	128088	1-100
123906	1-54	128089	1-100
123909	1-54	128090	1-100
123910	1-54	128091	1-100
124845	1-51, 1-87	128092	1-100
125056	1-54	128093	1-41, 1-100
125528	1-23, 1-25	128297	1-9
125690	1-75	128305	1-54
125892	1-10	128306	1-13
125894	1-27	128554	1-122
125992	1-107	128757	1-13
126088	1-54	128838	1-13
126193	1-100, 1-102	129191	1-107
126575	1-104	129194	1-107
126618	1-117, 1-121	129421	1-54
127072	1-43	129447	1-54
127080	1-98	129608	1-54, 1-62, 1-64
127082	1-98	129626	1-102
127083	1-98	129635	1-54, 1-55
127084	1-98	129673	1-104
127097	1-13	129677	1-54
127356	1-91	130148	1-113
127519	1-106	130149	1-54
127621	1-47, 1-51	130150	1-113

CLICK HERE TO **DOWNLOAD** THE COMPLETE MANUAL

- Thank you very much for reading the preview of the manual.
- You can download the complete manual from: www.heydownloads.com by clicking the link below



- Please note: If there is no response to CLICKING the link, please download this PDF first and then click on it.

CLICK HERE TO **DOWNLOAD** THE COMPLETE MANUAL