



**Model B40i4
Narrow Aisle Forklift
Parts Manual**



LANDOLL CORPORATION
1900 North Street
Marysville, Kansas 66508
(785) 562-5381
800-428-5655 ~ WWW.LANDOLL.COM

CLICK HERE TO **DOWNLOAD** THE COMPLETE MANUAL

- Thank you very much for reading the preview of the manual.
- You can download the complete manual from: www.heydownloads.com by clicking the link below



- Please note: If there is no response to CLICKING the link, please download this PDF first and then click on it.

CLICK HERE TO **DOWNLOAD** THE COMPLETE MANUAL

Covers and Counterweights

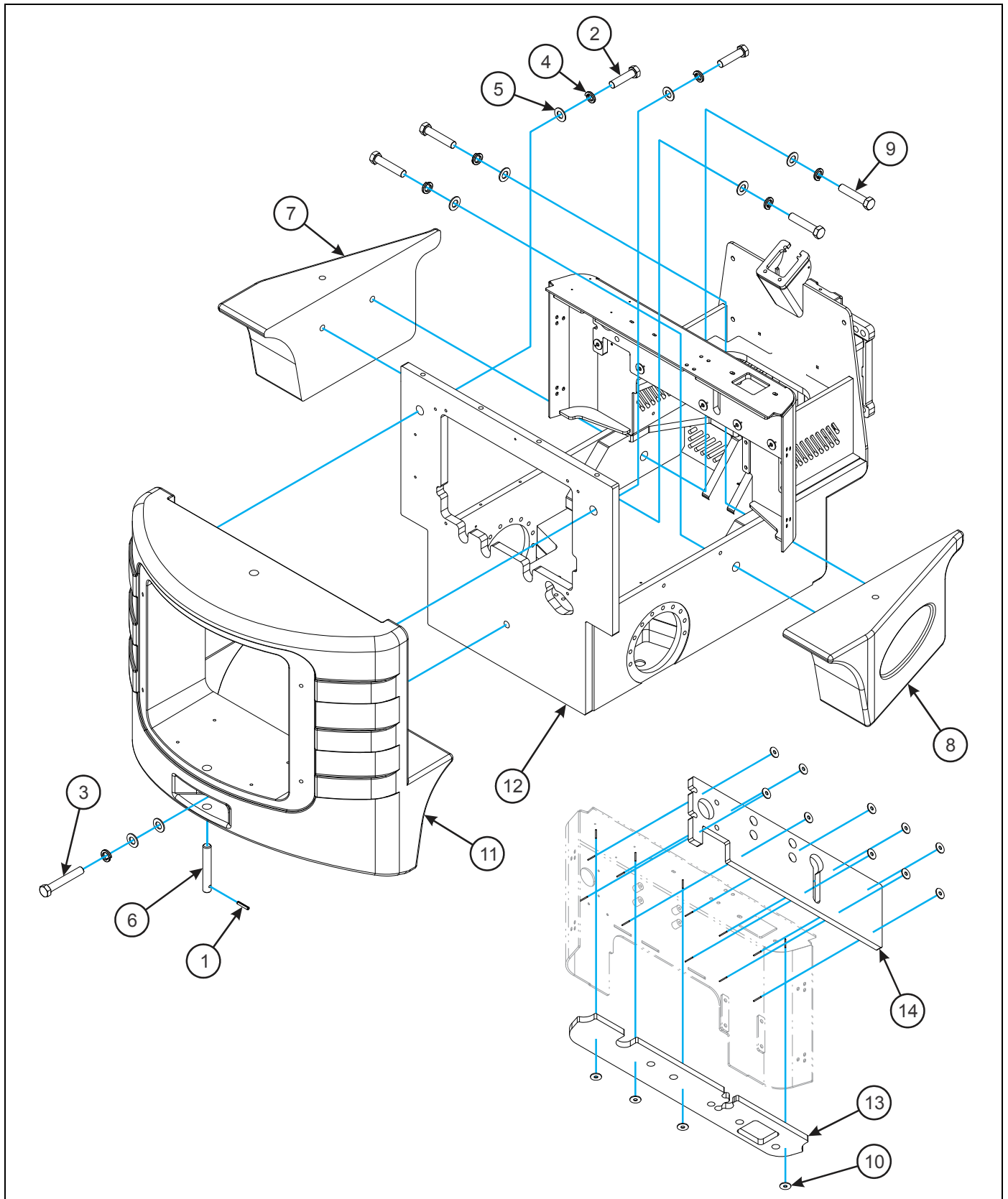


Figure 1-6: Counterweight Installation

Battery & Controller Installation

ITEM	PART NUMBER	DESCRIPTION	QTY.
1	1-512-010003-05	NUT HEX SLFLKG W/NYL 10-32	4
2	1-512-010003-09	NUT,1/4-20 ESNA	8
3	104877	SCREW,HX CP,1/4-20UNCX1/2 GR5	1
4	122153	COVER, AIR INTAKE I/C	1
5	122529	SCREW,BHSC, 10-32X.750	8
6	123399	SCREW,HX SKT CTSK 1/4-20X2.00	4
7	163197	ECU ASSY, MY2010 2.4L (SEE PAGE 1-79)	REF
8	154068	RELAY, TIERIII POWER LATCH (SEE PAGE 1-79)	REF

Hydraulic Control Valve And Charge Filter Installation

ITEM	PART NUMBER	DESCRIPTION	QTY.
1	0018119	ADAPTER P-STEER PUMP SUCTION	1
2	0018147	PORT #6 ORFS	1
3	0018149	PORT DUST COVER	1
4	110222	SCREW SKT,BTN 3/8-16X1.5	3
5	102-1125	ADPT SAE O-RING BOSS REDUCER	5
6	104382	ADAPTER,#12 ORS X #12 ORB ST	1
7	107470	NUT, SPIRALOCK 3/8-16HX	3
8	108336	SCREW SKT BTN 3/8-16X1	4
9	110116	ADAPTER,#12ORB X #12ORS 90DEG	2
10	123906	ADAPTER,#6ORSX#6ORB, LONG STR	1
11	128862	ADAPTER,#6ORS X #10ORB CONN	4
12	1417417	TEE,O/R SEAL11/16-160FS9/16-18	1
13	142337	ADAPTER,#12 ORS X #10 ORB ST	1
14	146355	MOUNT, CHARGE OIL FILTER	1
15	146356	ELEMENT, HSTAT CHARGE FILTER	1
16	146357	INDICATOR, FILTER CONDTION	1
17	152120	ADAPTER, #10ORB X #10ORS ST	2
18	162315	VALVE, BIT4 35PL HUSCO	1

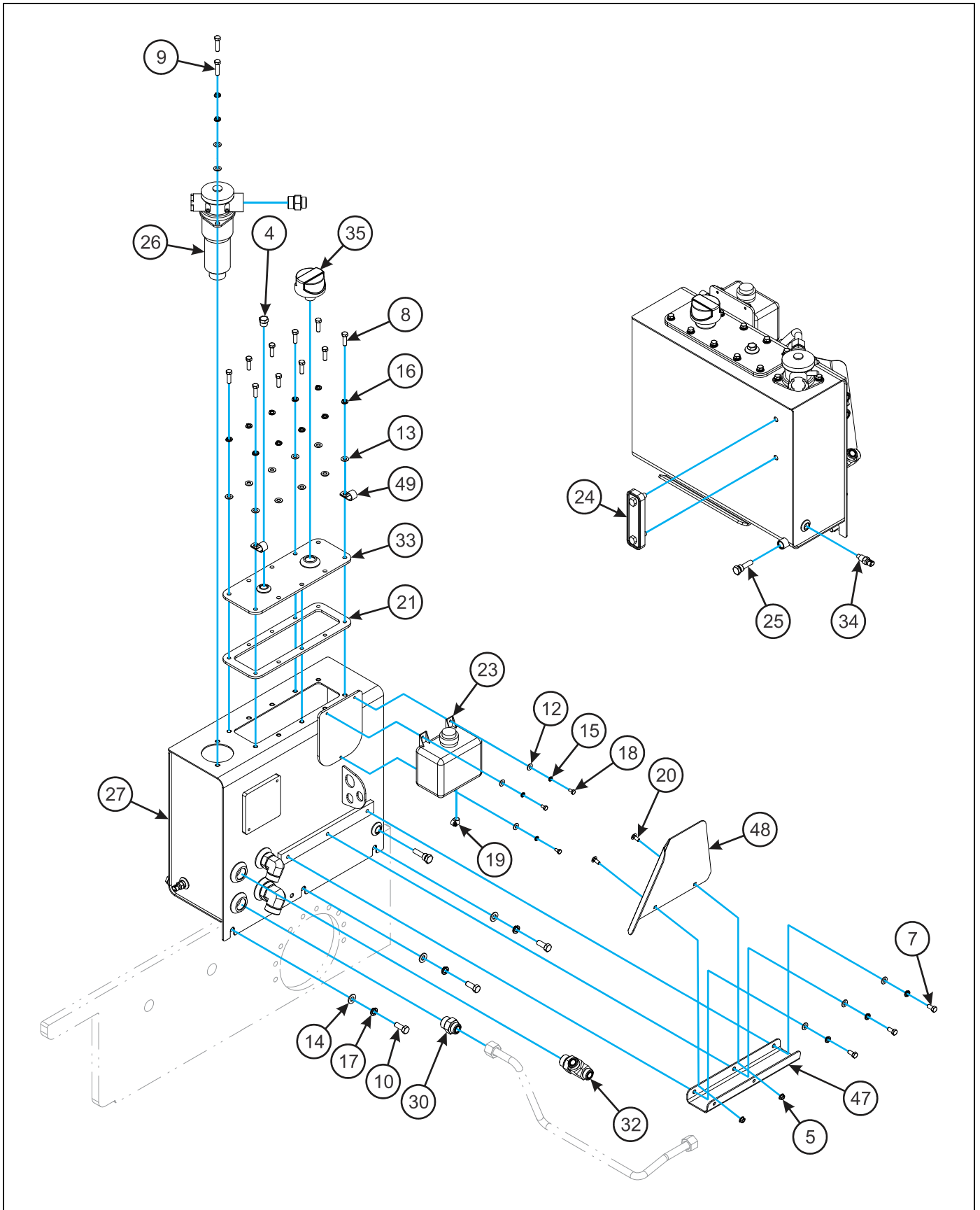


Figure 1-22: Hydraulic Tank & Connecting Hydraulics - After 8/11/11 (1 of 2)

CLICK HERE TO **DOWNLOAD** THE COMPLETE MANUAL

- Thank you very much for reading the preview of the manual.
- You can download the complete manual from: www.heydownloads.com by clicking the link below



- Please note: If there is no response to CLICKING the link, please download this PDF first and then click on it.

CLICK HERE TO **DOWNLOAD** THE COMPLETE MANUAL

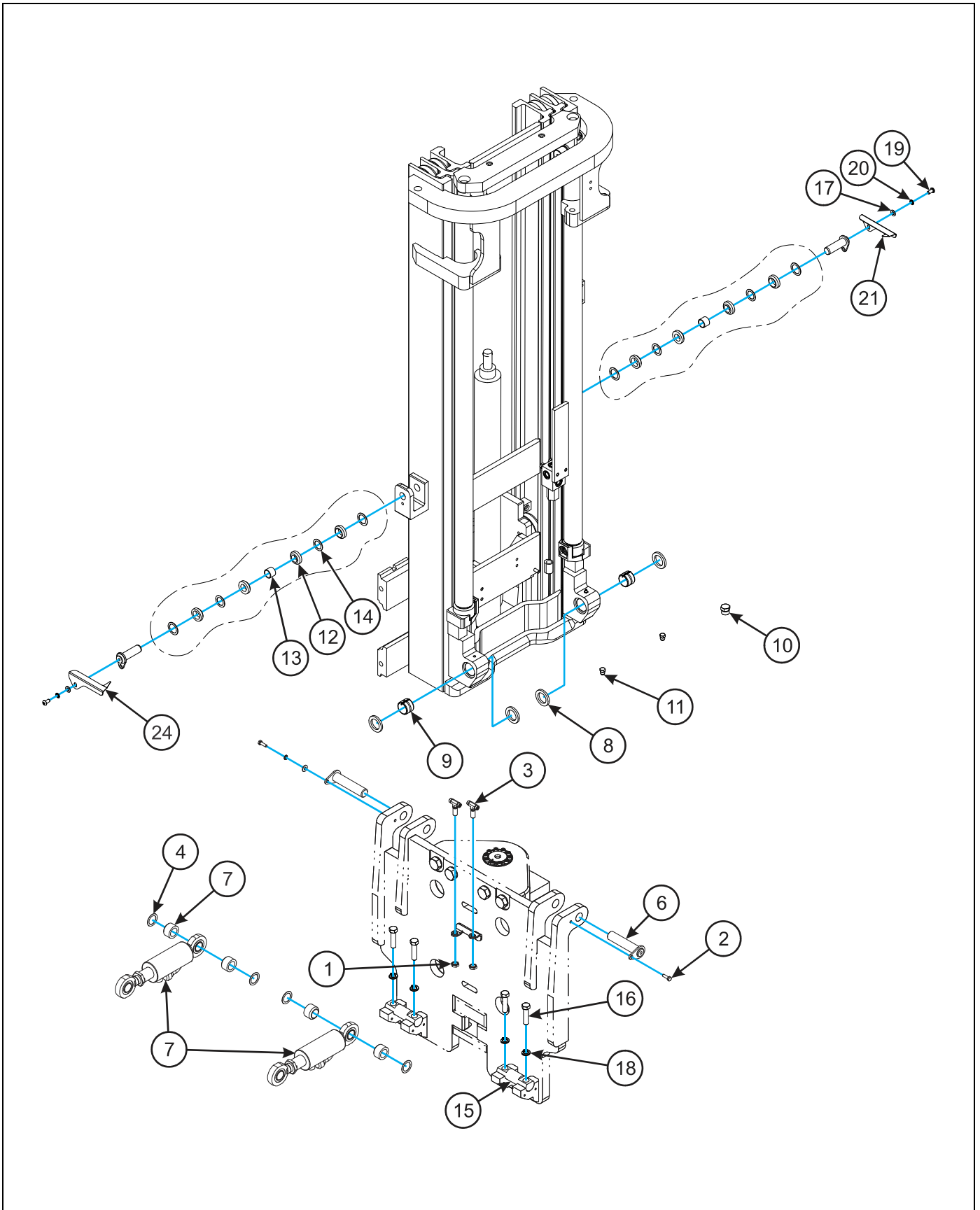


Figure 1-28: Front Rotation Components - After 2/14/2012

Operator Compartment

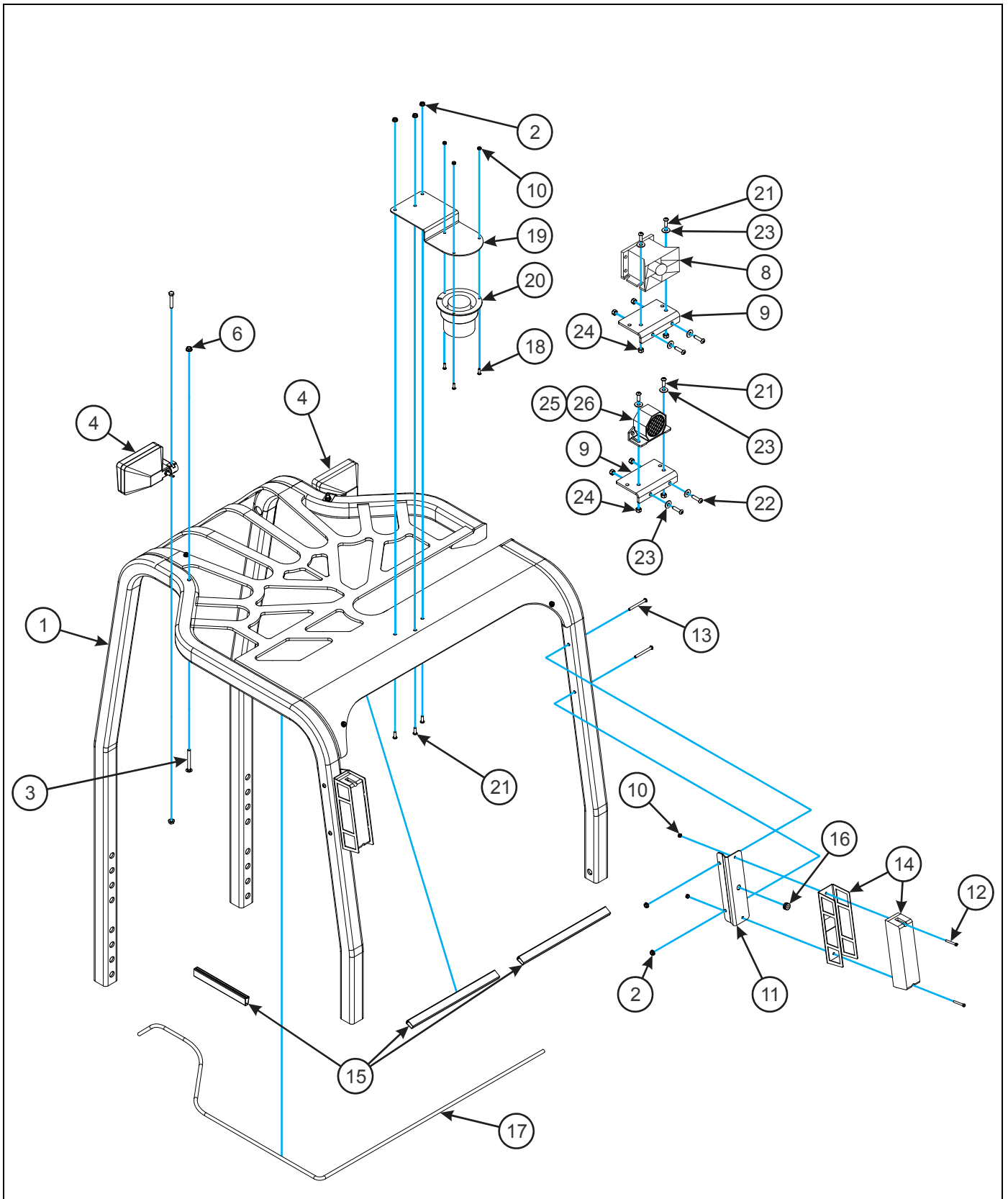


Figure 1-34: Alarm & Lighting

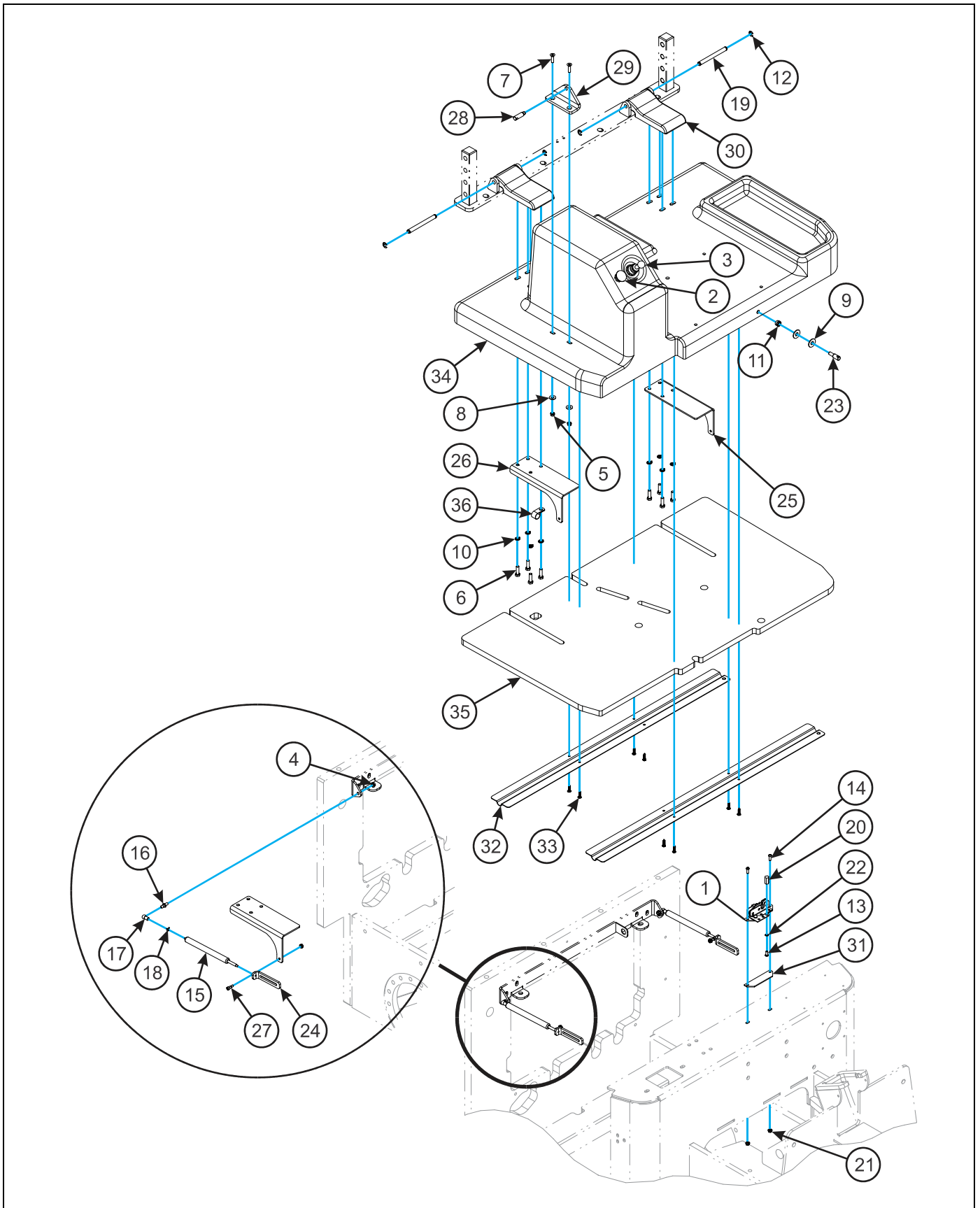
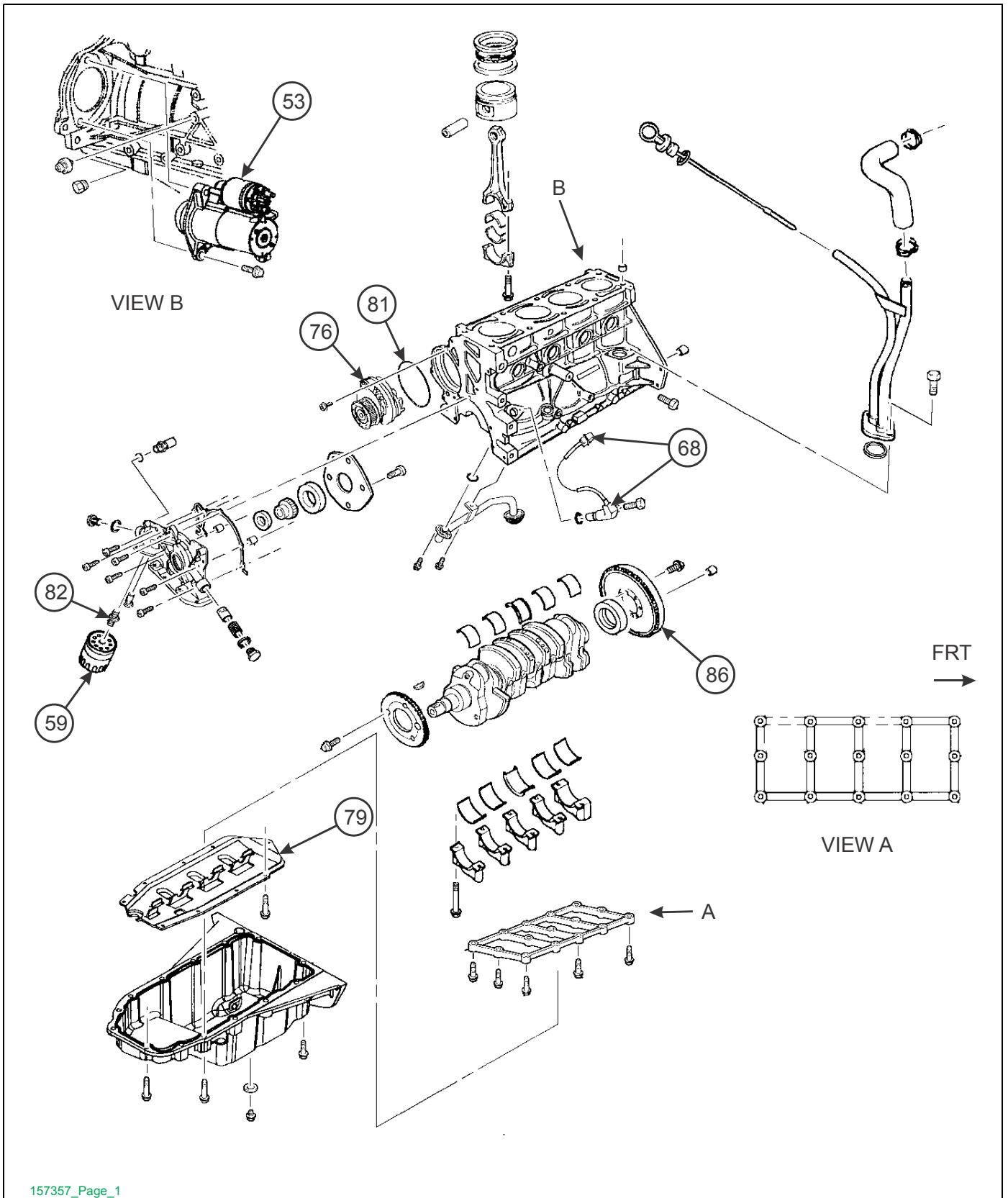


Figure 1-41: Seat Base Installation

Powertrain



157357_Page_1

Figure 1-46: 2.4L Engine and Fuel System Assembly (1 of 5)

Engine Exhaust Installation

ITEM	PART NUMBER	DESCRIPTION	QTY.
1	1-654-010051-05	SCREW,HEX CAP 3/8-16UNCX1 GR5	4
2	1-654-010051-06	SCREW,HEX CAP 3/8-16UNCX1-1/4	4
3	1-861-010032-10	WASHER, FLAT 3/8" N ZP/CD	8
4	1-861-010034-11	WASHER, LKG HLCL SPR, 3/8	4
5	107470	NUT, SPIRALOCK 3/8-16HX	4
6	131863	GASKET, EXHAUST FLANGE	2
7	157346	PIPE BI-2010 EXHAUST DIFFUSER	1
8	1DM8ER	NUT HEX HD M8X1.25 CL8.8	4
9	6EM80ER	WASHER LOCK SPRING M8	4
10	152086	GASKET, 2.4L EXHAUST MANIFOLD	REF
11	161416	MANIFOLD, BIT4 2.4L EXHAUST	REF
12	163194	PURIMUFFLER, MY2010 2.4L	REF
13	163195	O2 SENSOR, POST CATALYST	1

Options

Accessories

ITEM	PART NUMBER	DESCRIPTION	QTY.
1	125992	ACCESSORIES,FIRE EXTINGUISHER	
2	0030020	FIRE EXTINGUISHER FORKLIFT	
3	1/4-20X3/4 SELF	SCREW HEX HEAD THREAD CUT (FOR USE WITH ITEM 1)	
4	0018152	GAUGE KIT, HYDRAULIC PRESSURE	
5	151159	HARNESS, CAN INTERFACE A	
6	150713	KVASER LEAF LIGHT DONGLE	
7	125991	ACCESSORIES, 4TH FUNCTION	
8	105-0211	TYWRAP 3/16-3-1/2DIA TY-527MX	
9	129192	KIT 12V EXTRA FUNC SOLENOID	

CLICK HERE TO **DOWNLOAD** THE COMPLETE MANUAL

- Thank you very much for reading the preview of the manual.
- You can download the complete manual from: www.heydownloads.com by clicking the link below



- Please note: If there is no response to CLICKING the link, please download this PDF first and then click on it.

CLICK HERE TO **DOWNLOAD** THE COMPLETE MANUAL