



**Model B40i3
Narrow Aisle Forklift
Parts Manual**



LANDOLL CORPORATION
1900 North Street
Marysville, Kansas 66508
(785) 562-5381
800-428-5655 ~ WWW.LANDOLL.COM

CLICK HERE TO **DOWNLOAD** THE COMPLETE MANUAL

- Thank you very much for reading the preview of the manual.
- You can download the complete manual from: www.heydownloads.com by clicking the link below



- Please note: If there is no response to CLICKING the link, please download this PDF first and then click on it.

CLICK HERE TO **DOWNLOAD** THE COMPLETE MANUAL

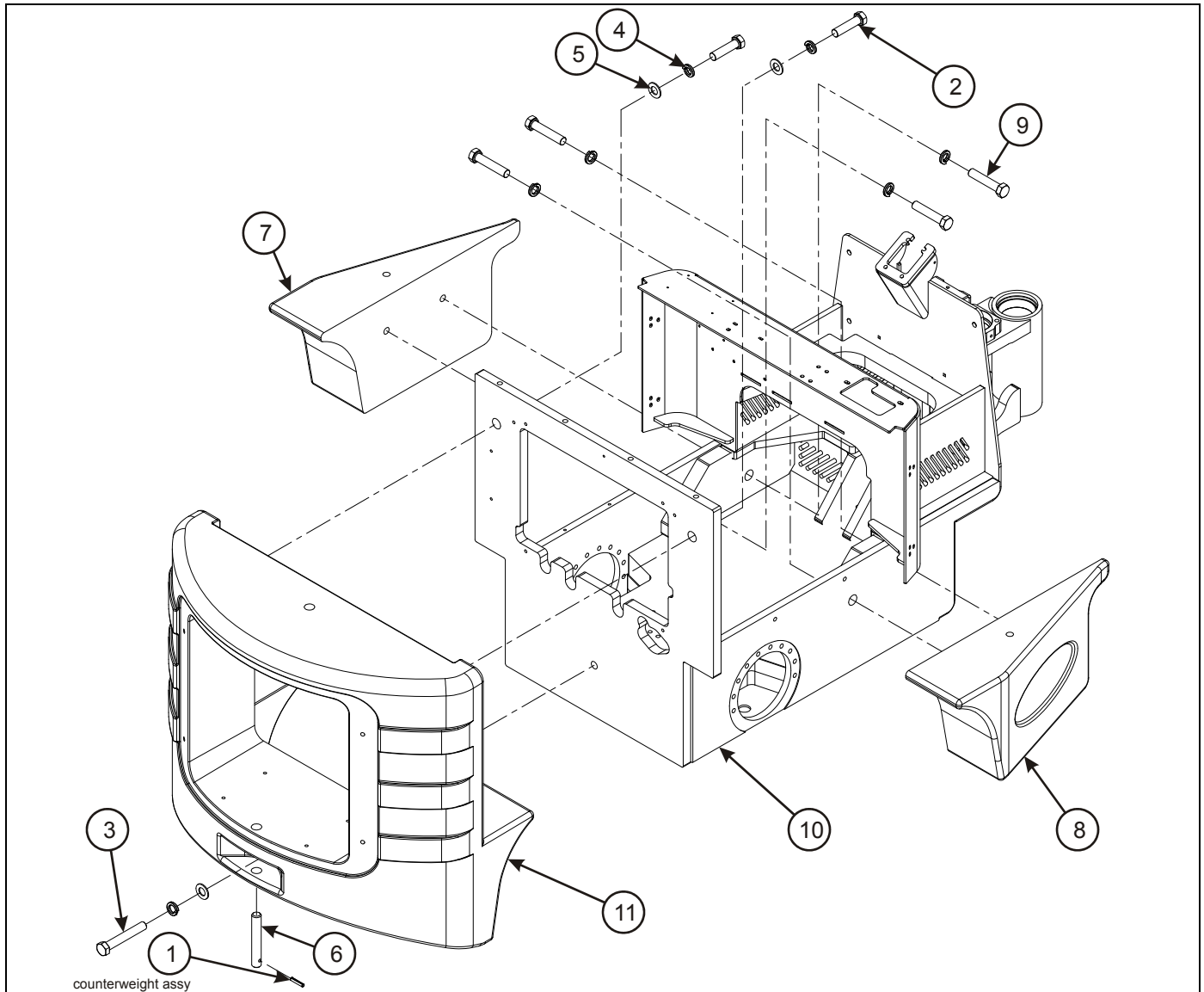


Figure 2-4: Counterweight Assembly

COUNTERWEIGHT ASSEMBLY

ITEM	PART NO.	DESCRIPTION	QTY.
1	1-647-010004255	PIN, SLOTTED ROLL 3/8 X 2	1
2	1-654-010125-13	SCREW, HEX HEAD CAP 1-8 X 4 GR8	2
3	1-654-010125-18	SCREW, HEX HEAD CAP 1-8 X 6-1/2 GR8	1
4	1-861-010034-21	WASHER, SPLIT LOCK 1"	7
5	110-7389	WASHER, FLAT 1" SAE	8
6	110427	PIN, HITCH 1-1/8	1
7	121418	COUNTERWEIGHT LH	1
8	121419	COUNTERWEIGHT RH	1
9	138339	SCREW, HEX HEAD CAP 1-8 X 5 GR8	4
10	145247	FRAME WELDMENT, I/C	1
11	149492	COUNTERWEIGHT REAR	1

HYDRAULIC VALVE AND CHARGE FILTER ASSEMBLY

ITEM	PART NO.	DESCRIPTION	QTY.
1	0018108	ADAPTER, VALVE REAR TILT	2
2	0018109	ADAPTER, VALVE FORWARD TILT 90	2
3	0018148	PORT	1
4	0018149	PORT, DUST COVER	1
5	101864	SCREW, RD HEAD SQ NECK 3/8-16 X 1-1/4 GR5	2
7	107168	ADAPTER, BRANCH TEE	1
8	107470	NUT, HEX SPIRALOCK 3/8-16	2
9	110116	ADAPTER 90	3
10	108336	SCREW, BUTTON HEAD CAP 3/8-16 X 1	4
12	125904	LOCKNUT, M8-1.25 CL10	2
13	129640	VALVE, 3 SPOOL W/ PROP SENSOR (SEE PAGE 2-17)	1
14	130594	ADAPTER, LONG STR	1
15	130905	SCREW, HEX SOCKET CTSK M8-1.25 X 12	1
16	130906	SCREW, HEX SOCKET CTSK M8-1.25 X 70	2
17	131808	FITTING 90	1
18	146294	BRACKET WELDMENT, VALVE MOUNT	1
19	146355	MOUNT, CHARGE OIL FILTER	1
20	146356	ELEMENT, HYDROSTAT CHARGE FILTER	1
21	146357	INDICATOR, FILTER CONDITION	1

STEERING COLUMN/DASH ASSEMBLY

ITEM	PART NO.	DESCRIPTION	QTY.
1	0018120	ADAPTER, STEERING ORBITAL 90	1
2	0018136	ADAPTER, P-STEER RELIEF PRESS 90	2
3	1-510-010004-03	NUT, FLANGE HEAD SPIRALOCK 5/16-18	2
4	1-654-010049-11	SCREW, HEX HEAD CAP 5/16-18 X 2-1/2 GR5	2
5	1-654-010051-07	SCREW, HEX HEAD CAP 3/8-16 X 1-1/2 GR5	4
6	100006	PLATE, STEERING COLUMN BELLOWS RTNR	2
7	100010	VALVE, STEERING COUNTERBALANCE	1
8	100012	TUBE, RH STEERING ORBITAL TO CB VALVE	1
9	100013	TUBE, LH STEERING ORBITAL TO CB VALVE	1
10	104582	ADAPTER	2
11	1-512-010005-05	NUT, HEX LOCK 3/8-16 GRB	4
12	127165	ADAPTER, 45	2
13	131015	SCREW, HEX HEAD CAP M10 X 1.5 X 20	4
14	136537	ADAPTER, LONG STRAIGHT	1
15	146696	STEERING COLUMN ASSY (INCL ITEMS 18-27)	1
16	149483	ORBITAL, LOAD SENSING	1
	153364	KIT, ORBITAL REBUILT	1
17	6-8 520120	ORS/O-RING BOSS	1
18	1-512-010003-05	NUT, LOCK #10-32	8
19	103-0633	NUT, ESNA #4-40	4
20	121443	SCREW, BUTTON HEAD #10-32 X 1/2	8
21	126193	STEERING COLUMN, I/C (SEE PAGE 2-27) (INCL ITEM 28)	1
22	128670	SWITCH, IGNITION W/ LOCKNUT	1
23	128751	PLATE, IGNITION SWITCH	1
24	146074	DISPLAY, DASH	1
25	146695	PANEL, INSTRUMENT	1
26	150725	PLATE, DIAGNOSTIC PORT MOUNT	1
27	150979	SCREW, HEX SOCKET #4-40 X 1/2	4
28	131810	STEERING WHEEL AND CAP	1

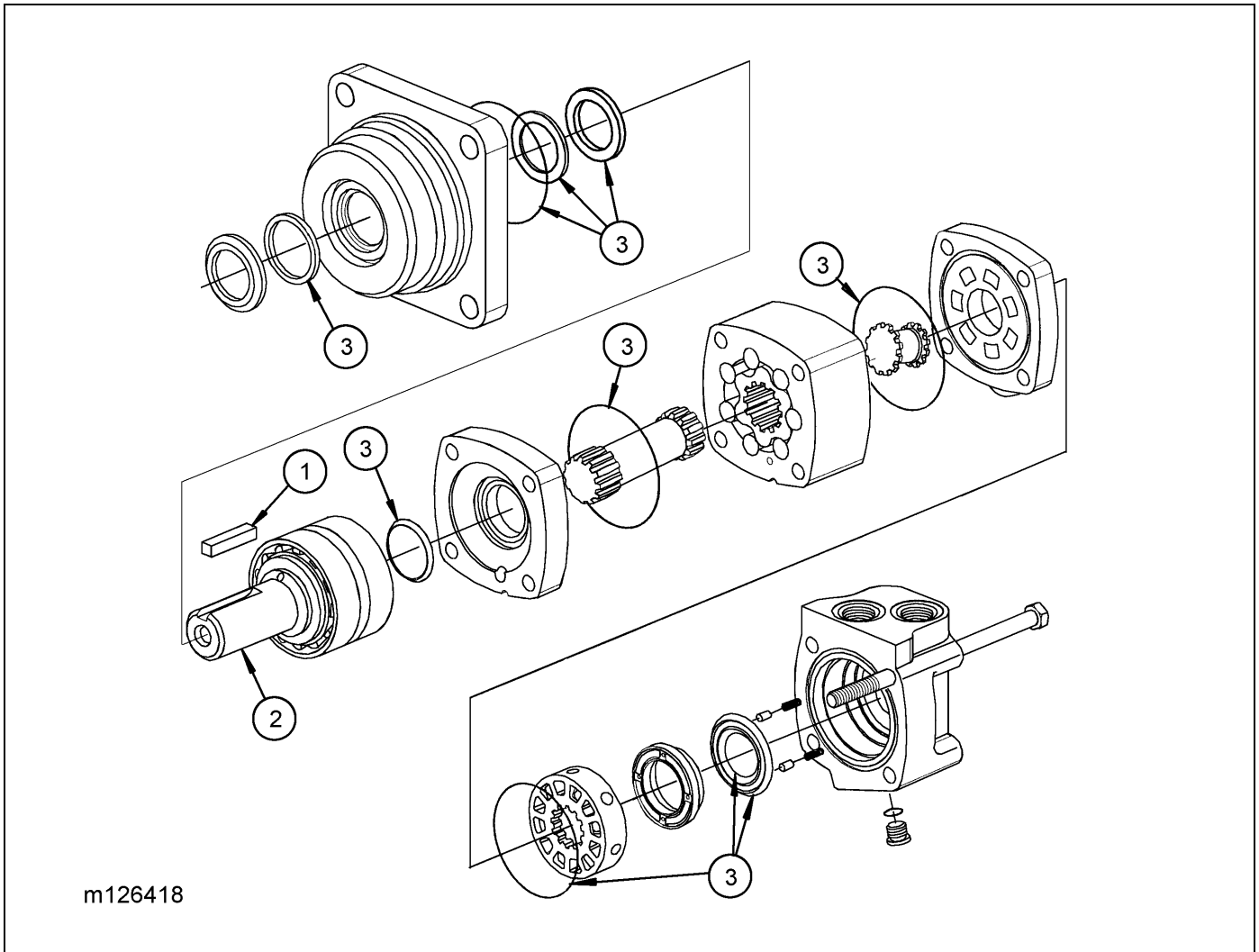
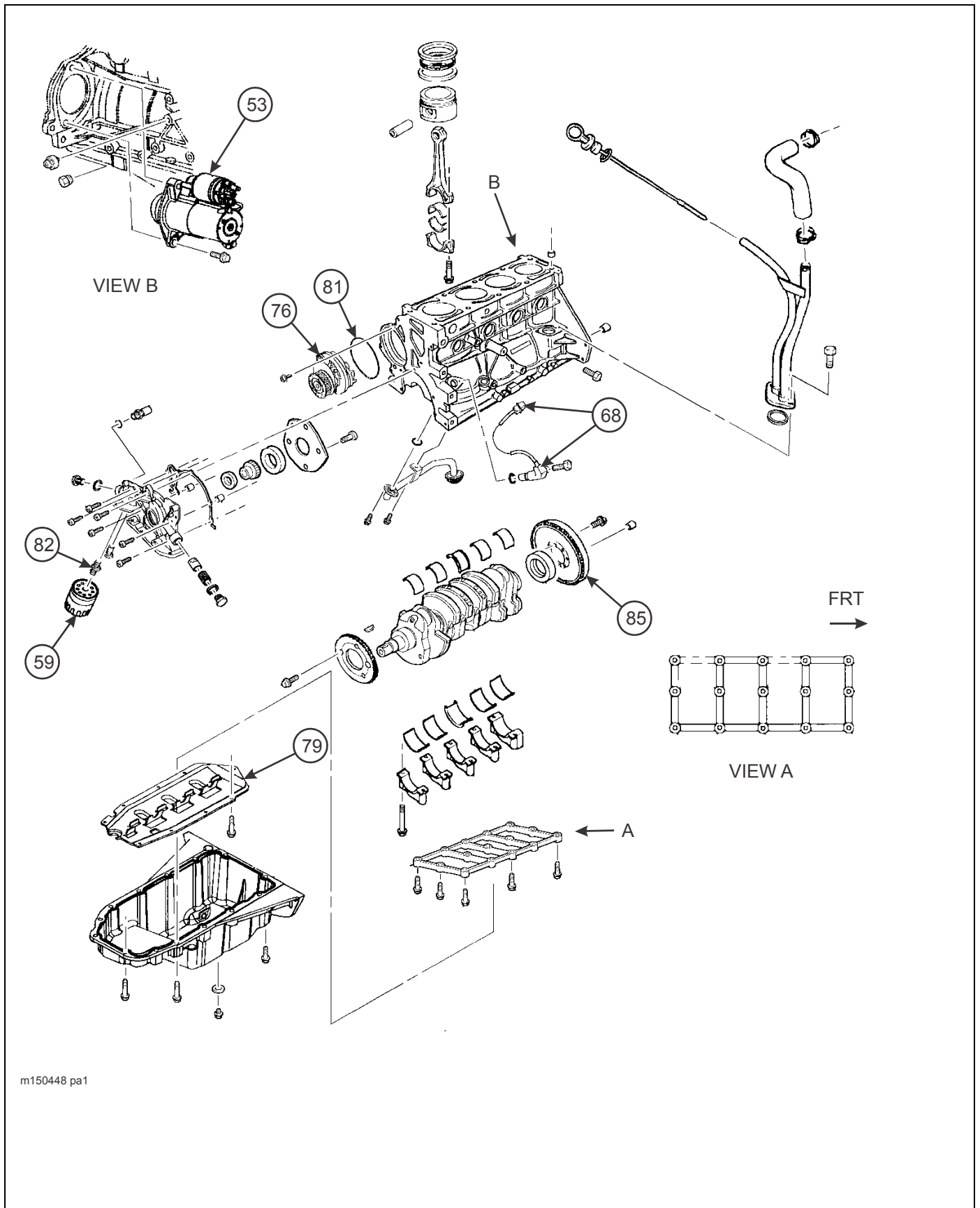


Figure 2-22: Disc Valve Hydraulic Motor Assembly

DISC VALVE HYDRAULIC MOTOR ASSEMBLY

ITEM	PART NO.	DESCRIPTION	QTY.
	126418	MOTOR, EATON 4000 COMPACT 29.8 DISP	
1	130901	KEY	1
2	130902	SHAFT AND BEARING KIT	1
3	130903	SEAL KIT	1



m150448 pa1

Figure 2-29: GM 2.4L Engine Components (1 of 4)

HYDRAULIC ASSEMBLY

ITEM	PART NO.	DESCRIPTION	QTY.
50	135585	HOSE, 35-1/2"	1
51	135640	HOSE, 33"	1
52	136537	ADAPTER, LONG STRAIGHT	REF
53	1-394-010002	HOSE ABRASION SLEEVE 2-7/8 (NOT SHOWN)	REF
54	1417417	TEE	REF
55	142350	MANIFOLD ASSEMBLY, LOAD SENSE (SEE PAGE 2-39)	REF
56	143868	PUMP, LINDE 75CC/REV H-STAT (SEE PAGE 2-39)	REF
57	143869	MOTOR, POCLAIN MS05 W/ SAHR BRK (SEE PAGE 2-16)	REF
58	145061	VALVE, SAHR BRAKE (SEE PAGE 2-9)	REF
59	145270	TANK WELDMENT, HYDRAULIC (SEE PAGE 2-29)	REF
60	0017415	RELIEF VALVE, STRG (PRIOR TO 02/01/2009)	1
61	145307	MANIFOLD, HYDROSTAT DRIVE (SEE PAGE 2-55)	REF
62	145309	ADAPTER, 90	REF
63	145317	ADAPTER, TEE	REF
64	145320	HOSE, 32"	1
65	145321	HOSE, 19"	1
66	145323	HOSE, 19"	1
67	145329	HOSE, 41"	1
68	145330	HOSE, 19"	1
69	145333	HOSE, 18"	1
70	145334	HOSE, 49"	1
71	145335	HOSE, 33	1
72	145336	HOSE, 29	1
73	145337	HOSE, 27	1
74	145338	HOSE, 24	1
75	145954	ADAPTER, 90	REF
76	145955	ADAPTER, 90	REF
77	146135	HOSE, 28	1
78	146136	HOSE, 56"	1
79	146137	HOSE, 25"	1
80	146167	HOSE, 20"	1
81	146168	HOSE, 40"	1
82	146676	PUMP, AUX HYDRAULIC (SEE PAGE 2-39)	REF
83	152153	HOSE, 9" (PRIOR TO 02/01/2009)	1
84	149483	ORBITAL, LOAD SENSING (SEE PAGE 2-25)	REF
	153364	KIT, ORBITAL REBUILT	REF
86	149485	PUMP/VALVE ASSEMBLY, BRAKE RELEASE (SEE PAGE 2-9)	REF
87	150459	BREATHER, HYDRAULIC TANK (SEE PAGE 2-29)	REF
88	150455	RADIATOR/FAN (SEE PAGE 2-43)	REF
89	151132	ADAPTER, STRAIGHT	REF
90	151133	ADAPTER, 90	REF
91	151291	ADAPTER	REF
92	151292	ADAPTER	REF
93	151293	ADAPTER	REF
94	151459	HOSE, 11" (AFTER 02/01/2009)	1
95	151460	HOSE, 35"	1
96	151461	HOSE, 67"	1
97	151464	HOSE, 45"	1
98	151468	HOSE, 29"	1

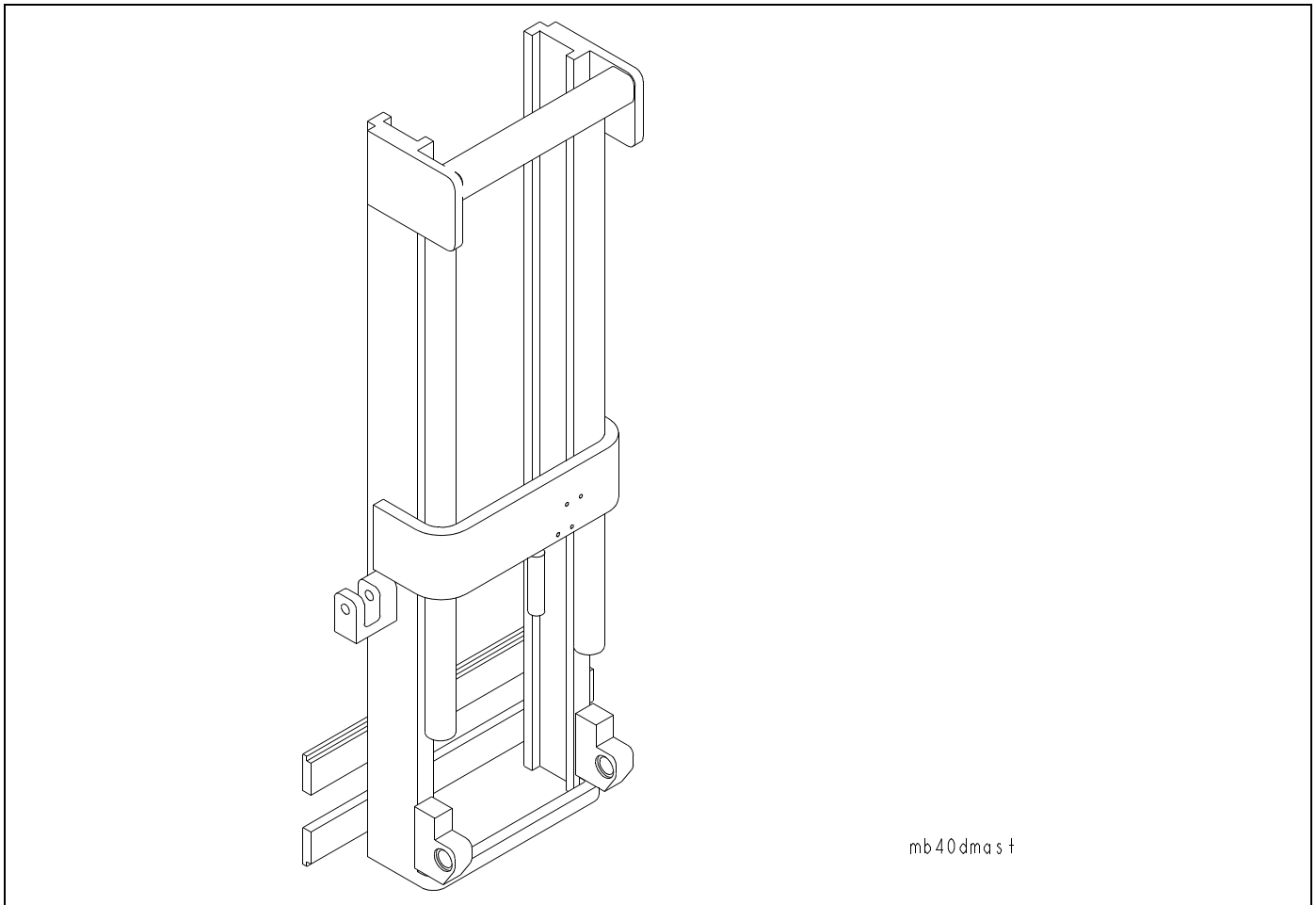


Figure 2-41: Mast Options

MAST OPTIONS

ITEM	PART NO.	DESCRIPTION	QTY.
------	----------	-------------	------

**CASCADE (LIFT TECHNOLOGIES) MAST TYPE:
 FORKLIFT MODEL CROSS REFERENCE**

**45D QUAD:
 50D TRIPLE:**

For information concerning parts and service of masts, sidershifters, and all other attachments, contact the original equipment manufacturer.

CLICK HERE TO **DOWNLOAD** THE COMPLETE MANUAL

- Thank you very much for reading the preview of the manual.
- You can download the complete manual from: www.heydownloads.com by clicking the link below



- Please note: If there is no response to CLICKING the link, please download this PDF first and then click on it.

CLICK HERE TO **DOWNLOAD** THE COMPLETE MANUAL