



**Model B3/30 AC DS  
Electric Narrow Aisle Actuated Forklift  
Parts Manual**



**LANDOLL CORPORATION**

1900 North Street  
Marysville, Kansas 66508  
(785) 562-5381

800-428-5655 ~ [WWW.LANDOLL.COM](http://WWW.LANDOLL.COM)

CLICK HERE TO **DOWNLOAD** THE COMPLETE MANUAL

- Thank you very much for reading the preview of the manual.
- You can download the complete manual from: [www.heydownloads.com](http://www.heydownloads.com) by clicking the link below



- Please note: If there is no response to CLICKING the link, please download this PDF first and then click on it.

CLICK HERE TO **DOWNLOAD** THE COMPLETE MANUAL

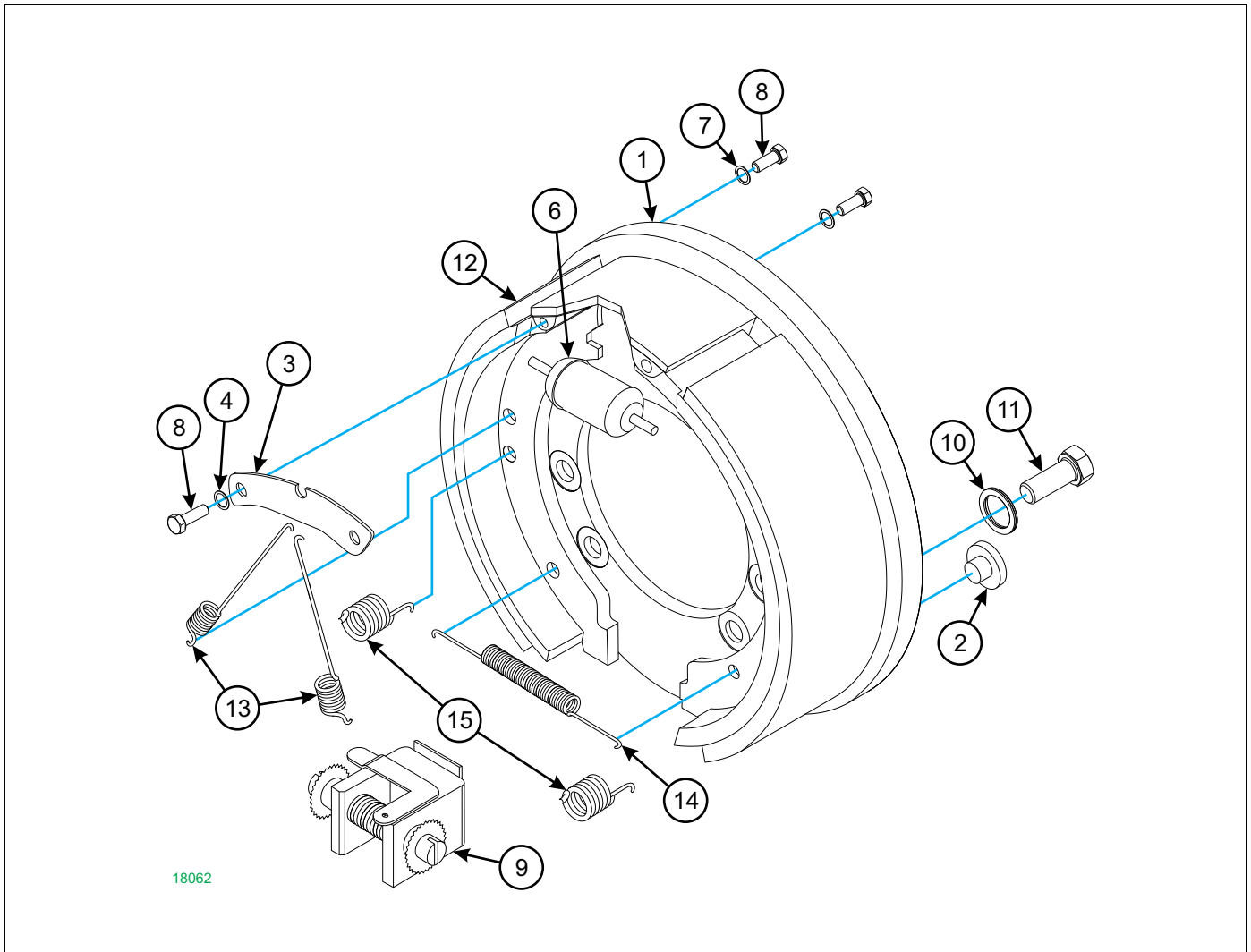


Figure 1-4: Brake Assembly, Left

## Brake Assembly, Left

ITEM	PART NUMBER	DESCRIPTION	QTY.
	18062	BRAKE ASSY, 10.5X2.5	
1	52661	PLATE BACKING ASSY	1
2	26261	PLUG, RUBBER,	2
3	26278	CLAMP, HOLD DOWN	1
4	18EM816ER	WASHER, FL M8 PLATED	2
5	1CM816ER	SCREW HX HD M8X16MM ZP CL8.8	2
6	28218	WHEEL CYLINDER	1
7	6EM60ER	WASHER LOCK SPRING M6 ZP	4
8	28967-5	BOLT	2
9	26269	BRAKE ADJUSTER	1
10	26270	WASHER, CAM LOCKING, M12	2
11	1CM1225ER	SCREW M12-1.75X25 HCS 8.8 ZP	1
12	1422701	BRAKE SHOE ASSY W/899250 LIN	2
13	26275	SPRING, RETURN	2
14	26276	SPRING, RETURN	1
15	26277	HOLD DOWN SPRING	2

## Parking Brake Installation

ITEM	PART NUMBER	DESCRIPTION	QTY.
1	0013512	BRAKE, SPRING PARK	1
2	1-510-010004-03	NUT HX FLANGE, 5/16-18 GR8	6
3	1-512-010003-03	NUT,HX 8-32,SLF-LKG W/NYL	1
4	1-512-010003-09	NUT,1/4-20 ESNA	1
5	1-654-010047-06	SCREW,HX CP 1/4-20UNCX1 GR5	1
6	1-654-010049-07	SCREW,HX CP 5/16-18UNCX1-1/2	4
7	1-654-010049-08	SCREW,HX CP,5/16-18UNCX1-3/4	2
8	1-861-010032-15	WASHER, FLAT 1/2 W ZP/CD	2
9	1-861-010034-13	WASHER, LKG HLCL SPR, 1/2	2
10	101864	SCREW,RD HD 3/8-16X1-1/4 GR5	2
11	104399	YOKE,EMERGENCY BRAKE END	1
12	107-0762	SCR SLOT PAN HD #8-32X1/2	1
13	107470	NUT,SPIRALOCK 3/8-16HX	2
14	109548	BRCKT,SERV BRAKE SWITCH MOUNT	1
15	111271	HANGER,DEUTSCH CONNECTOR	1
16	111341	SCREW, BHSC 1/2-13UNCX1	2
17	112866	LEVER ASSY,SERV BRAKE W/LOCK	1
18	113510	BRKT,BRAKE SWITCH CONN MOUNT	1
19	113535	SWITCH,E-BRAKE CUTOUT	1
20	145901	CABLE,B3 PARKING BRAKE	1
21	146162	BRACKET,PARK BRK CBL,B3	1
22	167072	BRACKET WLDMT,BT/AC HYD LEVER	1

---

## Hose Routing Installation

---

ITEM	PART NUMBER	DESCRIPTION	QTY.
1	1-654-010047-03	SCREW, HEX 1/4-20UNCX5/8	5
2	1-654-010047-04	SCREW,HEX CAP,1/4-20X3/4 GR5	2
3	108417	NUT SPIRAL 1/4-20HX FG	13
4	109099	CLAMP, 5/8 DOUBLE TUBE	4
5	239-9076-009	CLAMP	3
6	157345	TRAY, CABLE & HARNESS B3-AC	1

---

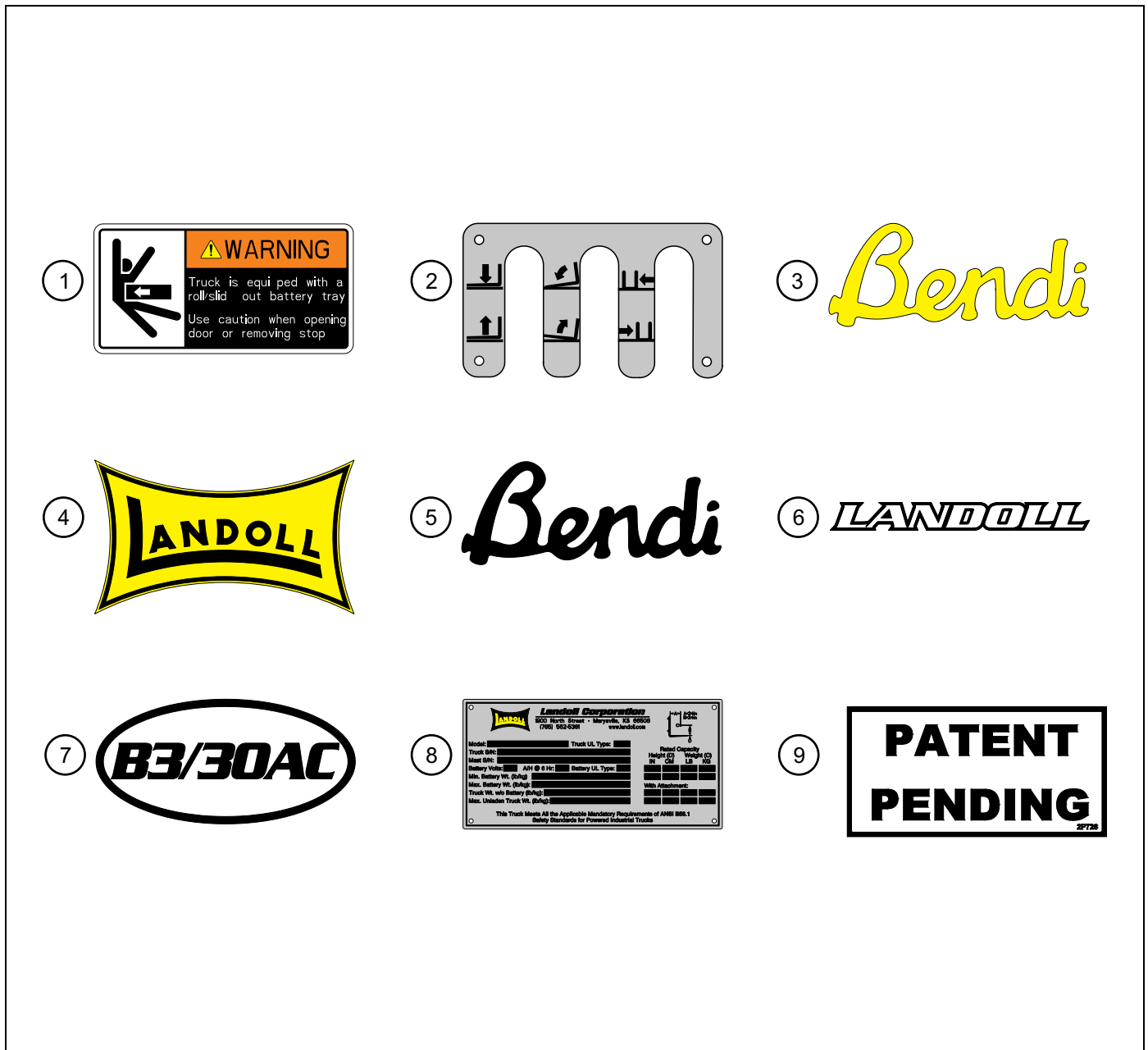


Figure 1-21: Decals (2 of 2)

## Decals

ITEM	PART NUMBER	DESCRIPTION	QTY.
1	102159	DECAL, CAUTION ROLLOUT BATT.	1
2	121422	PLACARD, OPERATOR DATA	1
3	130602	DECAL,DREXEL YELLOW BENDI 8	2
4	130603	DECAL,DREXEL YELLOW BOW-TIE	1
5	151430	DECAL,BENDI 12 (BLACK)	2
6	152870	DECAL,BLK OUTLINE 20" LANDOLL	2
7	158958	DECAL, B3/30AC SIDE p	2
8	163857	DATA PLATE, LANDOLL FORKLIFT	1
9	2P726	DECAL, PATENT PENDING	1
10	173698	SAFETY LABELS, BT/B3 (INCLUDES EXTRAS)	1

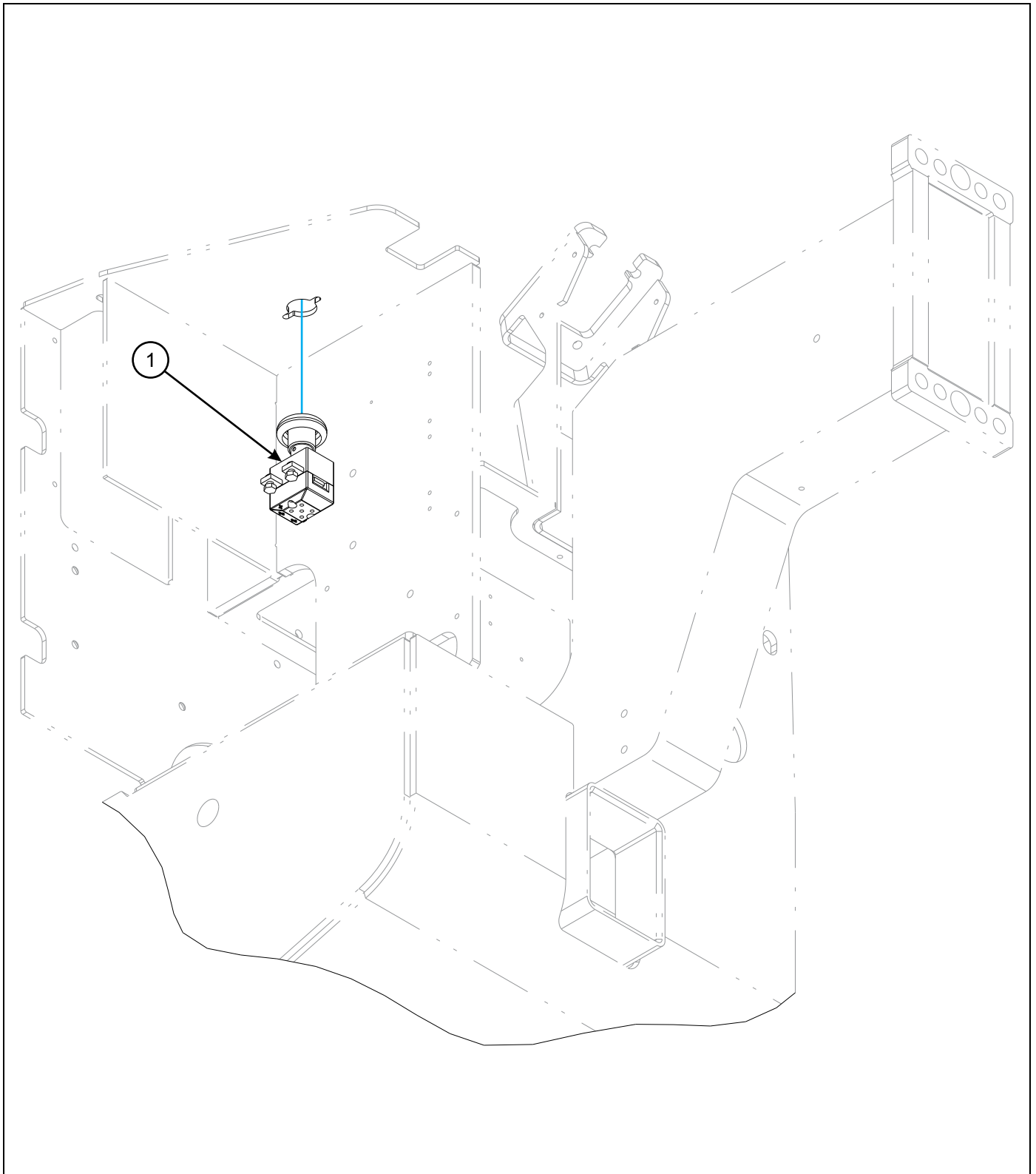


Figure 1-27: Emergency Stop Button Installation

## Emergency Stop Button Installation

ITEM	PART NUMBER	DESCRIPTION	QTY.
1	0030010	SWITCH,EMERGENCY KILL,BENDI48	1

CLICK HERE TO **DOWNLOAD** THE COMPLETE MANUAL

- Thank you very much for reading the preview of the manual.
- You can download the complete manual from: [www.heydownloads.com](http://www.heydownloads.com) by clicking the link below



- Please note: If there is no response to CLICKING the link, please download this PDF first and then click on it.

CLICK HERE TO **DOWNLOAD** THE COMPLETE MANUAL

---

## Hydraulic Components Installation

---

ITEM	PART NUMBER	DESCRIPTION	QTY.
1	1-861-010032-11	WASHER, FLAT 3/8 W ZP/CD	2
2	102048	ADAPTER,#20 ORB X #16 ORS ST	1
3	108336	SCREW SKT BTN 3/8-16X1	2
4	119734	WASHER, 3/8 LKG INTERNALTOOTH	2
5	126088	STRAINER, TANK SAE #20 O-RING	1
6	127759	PLUG MAGNETIC #8 SAE 3/4-16	1
7	135032	CAP, FEMALE, 08 ORS	1
8	145736	ADAPTER, 80RB X 80RS LONG ACTR	1
9	145737	BRACKET, B3-4 MAST HOSE BLKHD	1
10	145739	TUBE, B3-4 BREATHER TO TANK	1

## Steering Hydraulics

ITEM	PART NUMBER	DESCRIPTION	QTY.
1	0018120	ADAPTER P-STEER PUMP PRESSURE	4
2	0018160	ADAPTER WHITE CASE DRAIN	1
3	145743	TUBE, B3-4 ACTR P2 TO VALVE M1	1
4	145744	TUBE, B3-4 VLV P1 TO ORB PRESS	1
5	145745	TUBE, B3-4 VLV V1 TO ORBTL RH	1
6	145847	TUBE, B3-4 VLV V2 TO ORBTL LH	1
7	145848	TUBE, B3-4 VLV D2 TO ORBTL RH	1
8	154539	TUBE,BT/AC ORBITAL LDSEN DOWN	1
9	162580	TUBE, BTAC ORBITAL PRESS DOWN	1
10	162581	TUBE, BTAC ORBITAL LH DOWN	1
11	162582	TUBE, BTAC ORBITAL RH DOWN	1
12	162583	TUBE,BTAC ORBITAL RETURN DOWN	1
13	129608	VALVE, SER 5 STEERING CONTROL (SEE PAGE 1-63)	1
14	145740	BRACKET, B3-4 STRG BLKHED/HORN	1
15	168316	ORBITAL, B3 ACTR LOAD SENSING	1



## Control Levers Installation

ITEM	PART NUMBER	DESCRIPTION	QTY.
1	1-512-010004-05	NUT HEX 1/4-20 SELF-LK, GRA	6
2	1-512-010005-03	NUT HEX SLFLKG GRB 5/16-18	2
3	1-654-010049-06	SCREW, H/CAP, 5/16-18UNCX1-1/4	2
4	1-861-010032-08	WASHER, FLAT 5/16 ZP	2
5	1-861-010032-18	WASHER, FLAT 5/8 N ZP/CD	2
6	101967	NUT, HEX JAM M10X1.5 GR2 ZP	3
7	107199	KNOB, TAPERED BLACK	3
8	110-2760	BOLT, CARRIAGE 1/4-20X3/4	6
9	114067	PIN, 1/16X1/2 COTTER	3
10	119547	RING, RETAINING, EXT, E, 3/8	6
11	119548	RING, RETAINING, EXT, E, 5/8	2
12	121421	CONTROL VALVE TILT ROD	1
13	121571	LEVER, CNTL LIFT/SIDE SHIFT	2
14	151409	PIN, BT/AC HYD LEVER PIVOT	1
15	151412	WASHER, BT/AC OTR HYD LVR SPCR	2
16	153235	BEARING, BT/AC VALVE LEVER	6
17	153253	BEARING, BT/AC VALVE LINK	3
18	153303	BEARING, BT/AC VALVE LK THRUST	3
19	153457	WASHER, BT/AC INR HYD LVR SPCR	2
20	153458	BLOCK, BT/AC HYD LVR ROCKER	3
21	153467	LINK, BT/AC HUSCO VLV LEVER	3
22	153496	PIN, BT/AC UPR VALVE LINK	3
23	154004	VALVE, 3SPL HUSCO AX30454-180 (SEE PAGE 1-56)	1
24	160417	PIN, 3/16 X 5/8 CLEVIS ZP	3
25	160520	PLATE, LINKAGE LWR LSC	3

## Seat Installation

ITEM	PART NUMBER	DESCRIPTION	QTY.
1	1-512-010005-03	NUT HEX SLFLKG GRB 5/16-18	6
2	1-654-010121-06	SCREW HEX SKT CTSK,5/16X1-1/4	2
3	1-861-010032-09	WASHER, FLAT 5/16 W ZP/CD	6
4	123391	PIN,COVER HOLD-UP SHORT	1
5	127083	BRACKET,B40-4 SEAT BASE LATCH	1
6	107518	SEAT,CLOTH LO-RIDER SRS (SEE PAGE 1-88)	1
6	109584	SEAT,VINYL LO-RIDER (SEE PAGE 1-90)	1
6	154573	SEAT, SEARS VINYL BT-4.5 (SEE PAGE 1-90)	1
6	154574	SEAT, SEARS CLOTH BT-4.5 (SEE PAGE 1-88)	1

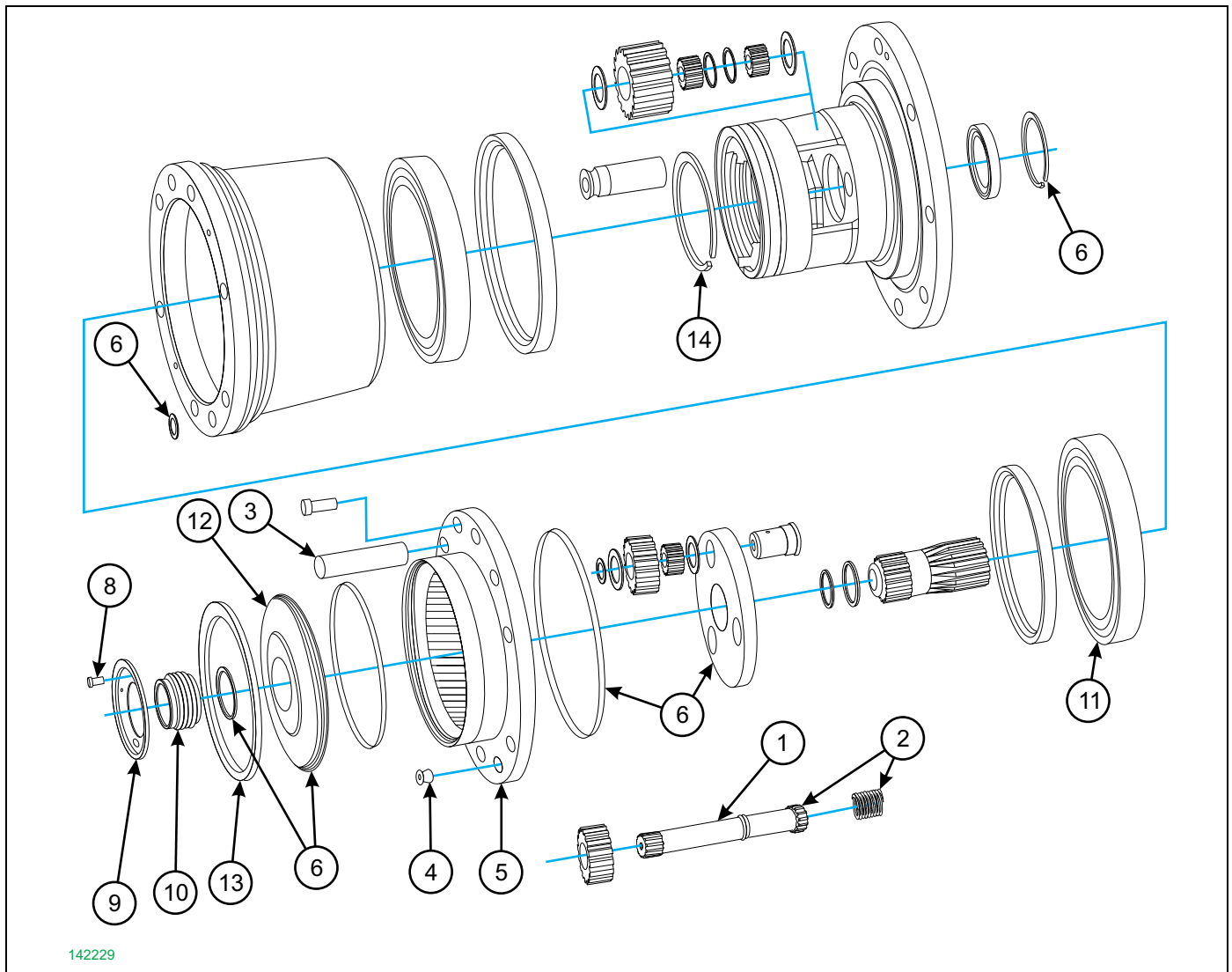


Figure 1-61: Gearbox Assembly, 29:1 In-Line, Brevini

### Gearbox Assembly, 29:1 In-Line, Brevini

ITEM	PART NUMBER	DESCRIPTION	QTY.
	142229	GEARBOX,BREVINI 29:1	
1	127519	SHAFT,BREVINI GEARBOX DRIVE	1
2	131075	TRANSFER SHAFT W/SPRING	1
3	131076	STUD M18X1.5 (37002840000)	6
4	131077	PLUG M10X1 DIN908	1
5	131078	WASHER-DIN7603-A 10X15-CU	1
6	131079	SEAL KIT FOR P/N 124201 (DOES NOT INCLUDE ITEM 11)	REF
7	131455	LUG NUT,BREVINI M18X1.5 (NOT SHOWN)	6
8	136304	SCREW, COVER, GEARBOX	2
9	136305	COVER, GEARBOX CENTER CIRCLIP	1
10	136306	THRUST PLUG, GEARBOX CENTER	1
11	148080	OIL SEAL FOR 124201 GEAR BOX	1
12	148954	COVER	1
13	148955	RING	1
14	149546	CIRCLIP	1

## Service Tools

### Software Programs, Cables, Handsets, and Documents

ITEM	PART NUMBER	DESCRIPTION	QTY.
1	145405	KIT, CURTIS 1314 OEM PROG <b>(REPLACED BY ITEM 8)</b>	
2	0018152	GAUGE KIT, HYDRAULIC PRESSURE	
3	128554	DEUTSCH SERVICE KIT	
4	161364	KIT,MINI DEUTSCH CONN	
5	143837	PROGRAMMER, CURTIS 1311 SERV V	
6	168284	DONGLE, CURTIS USB W/OUT MOLEX <b>(FOR DEALERS WITH 1314 SOFTWARE) (FOR USE WITH ITEM 7)</b>	
7	171548	CONNECTOR, CURTIS MOLEX <b>(FOR DEALERS WITH 1314 SOFTWARE) (FOR USE WITH ITEM 6)</b>	
8	171549	KIT, CURTIS 1314 USB OEM PROG <b>(INCLUDES USB DONGLE)</b>	

CLICK HERE TO **DOWNLOAD** THE COMPLETE MANUAL

- Thank you very much for reading the preview of the manual.
- You can download the complete manual from: [www.heydownloads.com](http://www.heydownloads.com) by clicking the link below



- Please note: If there is no response to CLICKING the link, please download this PDF first and then click on it.

CLICK HERE TO **DOWNLOAD** THE COMPLETE MANUAL