
PARTS MANUAL

This manual contains standard production Product Identification Numbers.

Special Engineered Options not included.

55D MT Full Freelift Triple Mast

For PIDs 55D-MT-001 Through Present

**FOR PARTS AND SERVICE:
TELEPHONE: (800) 423-4320**

Manual Number:
F-389-0804



CLICK HERE TO **DOWNLOAD** THE COMPLETE MANUAL

- Thank you very much for reading the preview of the manual.
- You can download the complete manual from: www.heydownloads.com by clicking the link below

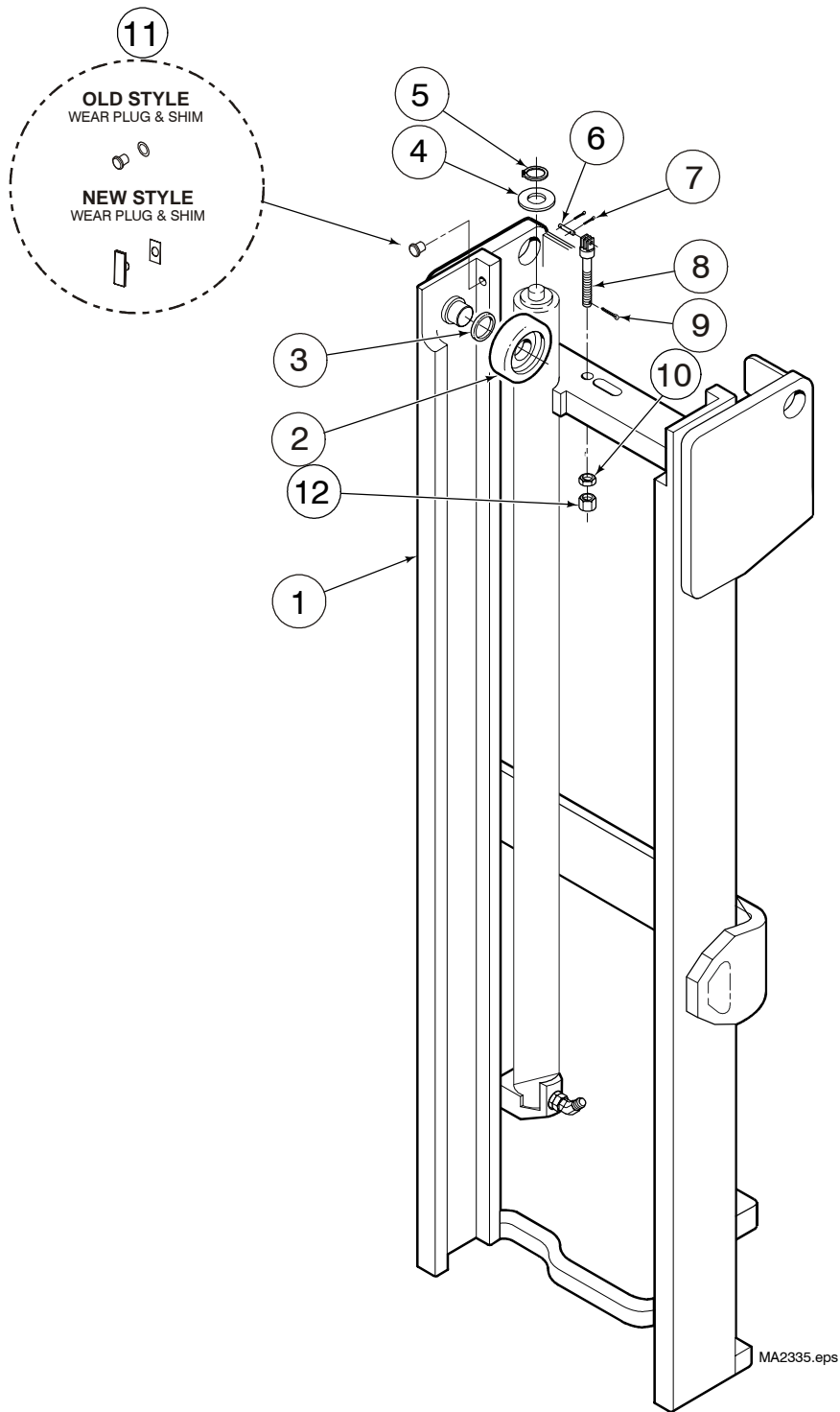


- Please note: If there is no response to CLICKING the link, please download this PDF first and then click on it.

CLICK HERE TO **DOWNLOAD** THE COMPLETE MANUAL

Outer Upright

55D-MT-001 Through 55D-MT-763



Inner Upright

55D-MT-764 Through 55D-MT1094

INNER CPG-3

REF	QTY	PART #	DESCRIPTION	REF	QTY	PART #	DESCRIPTION
1	1	①	Inner Upright	10	8	1417344	Cotter Pin
2	2	132260	FL Cylinder Band Kit	11	2	133170	Chain Anchor
3	2	23019	Chain Sheave	12	4	1417346	Cotter Pin
4	2	1418443	Snap Ring	13	2	132582	Nut
5	1	132263	Crosshead Kit	14	4	1417347	Jam Nut
6	2	1417944	Snap Ring	15	*	23003	Load Roller Shim
7	2	133256	Chain Anchor	16	2	23002DX	Load Roller
8	4	1417349	Nut	17	2	133259	Insert (High Pressure Only)
9	4	133168	Chain Pin				

* Quantity will vary.

① - See Inner-3.

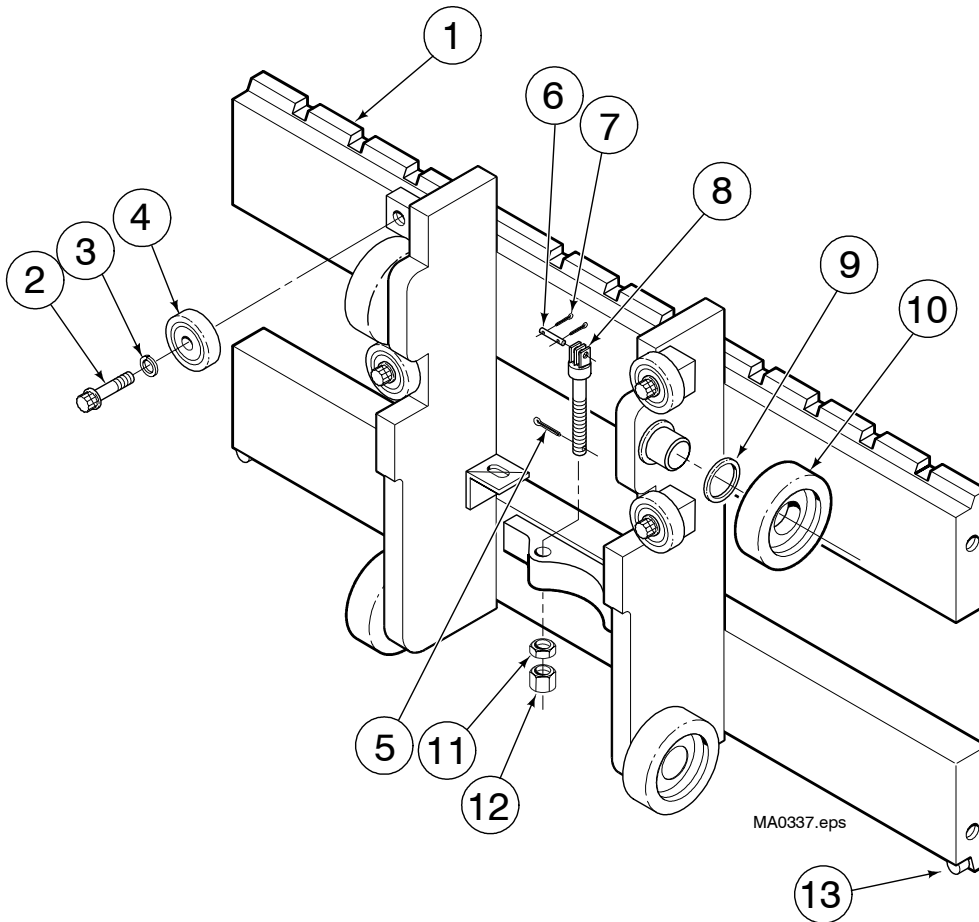
INNER-3

OCL (IN)	INNER UPRIGHT
	QTY 1 REF 1
80	134328
84	134329
92	134330
98	134331
104	132603
109	132604
118	132605

OCL - Outer Channel Length

4 Roller Carriages

55D-MT1095 Through 55D-MT1528



Carriage drawing is for reference only, specific carriage may look different.

CARR-3

55D MT 4 Roller Carriages			
REF	QTY	Part #	Description
1	1	Carriage Weldments	
		132249	37" Cushion Carriage

* - Quantity as needed.

① - Included in Roller Kit p/n 132877.

Common Parts			
REF	QTY	Part #	Description
2	① 4	1417957	Capscrew
3	① 4	1417958	Lockwasher
4	① 4	1417959	Thrust Roller Assembly
5	2	1417346	Cotter Pin
6	2	1417343	Chain Pin
7	4	1417344	Cotter Pin
8	2	133256	Chain Anchor
9	① *16	23003	Load Roller Shim
10	① 4	23002DX	Load Roller
11	2	1417347	Jam Nut
12	2	1417349	Nut
13	1	1419462	Forkstop Kit

Contact Landoll Customer Service if your carriage does not match any of those listed
(Mast PID number needed).

High Pressure Internal Hose Reeving Single Function

55D-MT1095 Through 55D-MT2338

ITEMS LISTED BELOW ARE FOR REPLACEMENT PARTS ORDERING ONLY
FOR COMPLETE KITS AND HOSES, ORDER PART NUMBERS LISTED ON PAGE 47.

ih-r-s-4004

COMMON PARTS							
REF	QTY	PART #	DESCRIPTION	REF	QTY	PART #	DESCRIPTION
2	2	127568	Hose Sheave	16	1	133167	Segment
3	2	132233	Shaft	17	1	132229	Chain Guard
4	2	1418002	Washer	18	2	132500	Capscrew, M10x1,5x45-8.8
5	2	133258	Lockwasher, M12	19	1	132219	Capscrew, M10x1,5x65-8.8
6	2	1417957	Capscrew, M12x1,75x45-8.8	20	2	132227	Guard
7	3	1417986	Fitting, 6-6	21	2	127566	Tire
8	6	1418247	Capscrew, M10x1,5x25-8.8	22	4	127567	Tire
9	2	133261	Bracket	23	1	132226	Chain Guard
10	9	1418248	Lockwasher, M10	24	2	132247	Shaft
11	7	133345	Nut, M10	25	4	132232	Shaft
12	2	133276	Bracket	26	4	206321	Capscrew, M6x1x16-8.8
13	1	132574	Fitting, 6-6	27	4	1418019	Lockwasher, M6
14	1	1418006	Fitting, 6-6	28	2	132235	Clip
15	1	132230	Bracket				

CLICK HERE TO **DOWNLOAD** THE COMPLETE MANUAL

- Thank you very much for reading the preview of the manual.
- You can download the complete manual from: www.heydownloads.com by clicking the link below



- Please note: If there is no response to CLICKING the link, please download this PDF first and then click on it.

CLICK HERE TO **DOWNLOAD** THE COMPLETE MANUAL