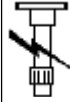


ACCESSORIES MECHANICAL

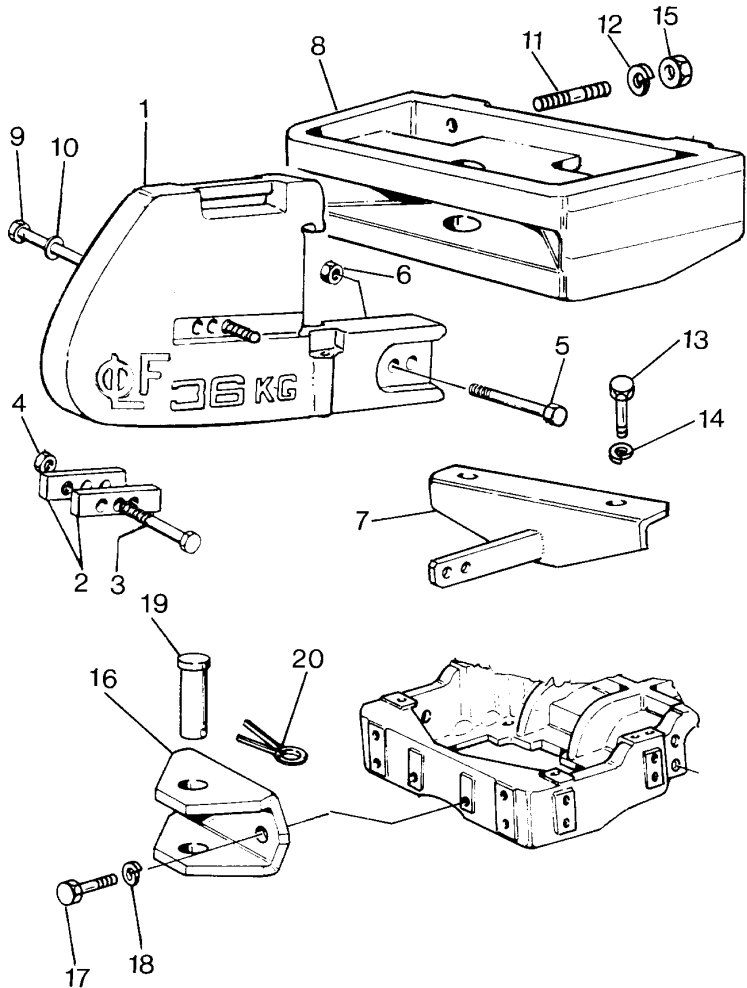
**X-48
01**

WEIGHT FRAME AND WEIGHTS - FRONT HOOK - UP TO SERIAL N. ...

Globus 70



X4801



1	3545835M2		6	BALLAST WE
2	1426054M1	T-A 0:25	2	PLATE
3	339616X1	T-A 0:25	1	BOLT
4	392368X1	T-A 0:25	1	NUT
5	339805X1		2	SCREW
6	339034X1		2	NUT
7	3555726M92	● 3555726M93 (1)	1	SUPPORT
		T-A 0:25		
8	3555734M1	● 3555734M2 (1)	1	SUPPORT
		T-A 0:50		
9	1441804X1		2	SCREW
10	1441664X1		2	LOCK WASHER
11	973097M1		4	STUD
12	391414X1		4	LOCK WASHER
13	3015263X1		2	SCREW
14	1440316X1		2	LOCK WASHER
15	339034X1		4	NUT
16	3542334M1		1	HOOK
		T-A 0:25		
17	391881X1		2	BOLT
18	1440317X1		2	LOCK WASHER

CLICK HERE TO **DOWNLOAD** THE COMPLETE MANUAL

- Thank you very much for reading the preview of the manual.
- You can download the complete manual from: www.heydownloads.com by clicking the link below



- Please note: If there is no response to CLICKING the link, please download this PDF first and then click on it.

CLICK HERE TO **DOWNLOAD** THE COMPLETE MANUAL

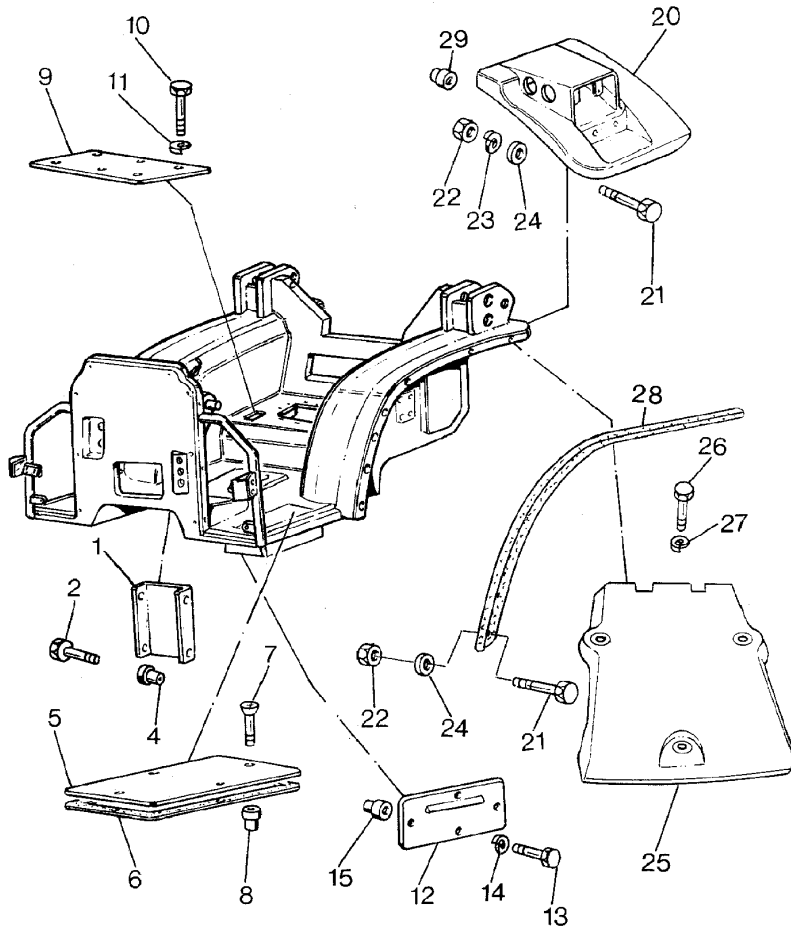
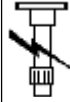
TRACTOR CAB

U-47
01

TRACTOR CAB - FRAME AND PLATFORM

Globus 70

U4701



- | | | | |
|-----|---------------|----|--|
| 21 | 3009274X1 | 8 | SCREW |
| 22 | 390995X1 | 8 | NUT |
| 23 | 339381X1 | 8 | LOCK WASHER |
| 24 | 1443775X1 | 16 | WASHER |
| 25 | 3648311M1 | 1 | GUARD |
| 25 | 3648312M1 | 1 | GUARD |
| 26 | 3007934X1 | 6 | SCREW |
| 27 | 390971X1 | 6 | WASHER |
| 28 | 3556336M3 | 1 | EXTENSION |
| 28 | 3556337M3 | 1 | EXTENSION |
| 28 | 3558288M2 | 1 | EXTENSION |
| 28 | 3558289M2 | 1 | EXTENSION |
| 30 | 339761X1 | 2 | SCREW |
| 31 | 3001753X1 | 2 | SCREW |
| 32 | 339375X1 | 2 | LOCK WASHER |
| 33 | 3547333M1 | 2 | WASHER |
| 34 | 339588X1 | 2 | WASHER |
| 35 | 339030X1 | 2 | NUT |
| A | 1441500X1 (2) | | WITH REAR TYRES 12.4 R32;12.4 R28. |
| B | | | FOR USE WITH 420/70-28;420/70 R30;420/70 R24;14.9 R28;380/70 R28;480/70 R24;14.9 R30;21.5L-16.1. |
| ◀ | | | LEFT HAND |
| ▶ | | | RIGHT HAND |
| T-A | | | Replacement |

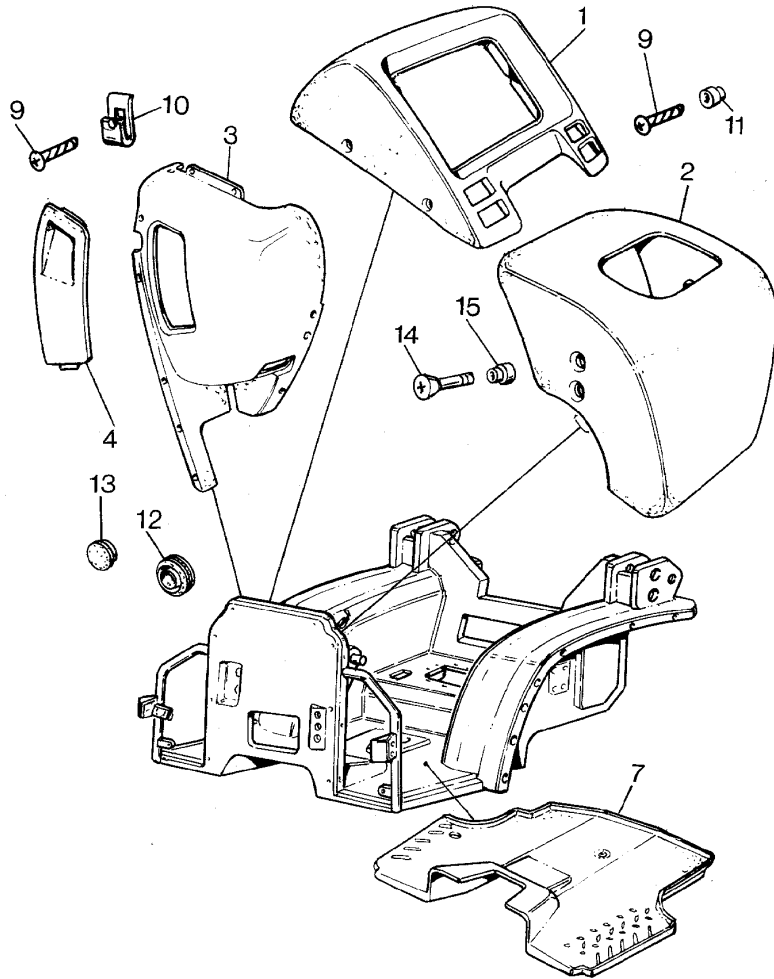
TRACTOR CAB

U-47
05

TRACTOR CAB - FRAME AND PLATFORM

Globus 70

U4705



1	3559706M1	●	3652917M2 (1)	1	PANEL
			T-A 0:50		
2	3555553M1		T-A 0:25	1	FACING
3	3556614M1	●	3654368M2 (1)	1	FACING
		▲	T-A 0:25		
3	3647569M1	●	3649053M1 (1)	1	FACING
		▼	T-A 0:25		
4	3555551M2		T-A 0:25	1	FACING
7	3555556M1	●	3654922M1 (1)	1	FACING
			T-A 0:25		
9	3015364X1			18	SCREW
10	3556451M1		T-A 0:25	4	NAMEPLATE
10	3557543M1		T-A 0:25	14	NAMEPLATE
11	3559501M1			8	BUSH
12	3556469M1			1	PLUG
13	3545597M1			2	PLUG
14	3009657X1		B	4	SCREW
14	3009925X1	●	392415X1 (4)	4	SCREW
			E		

TRACTOR CAB

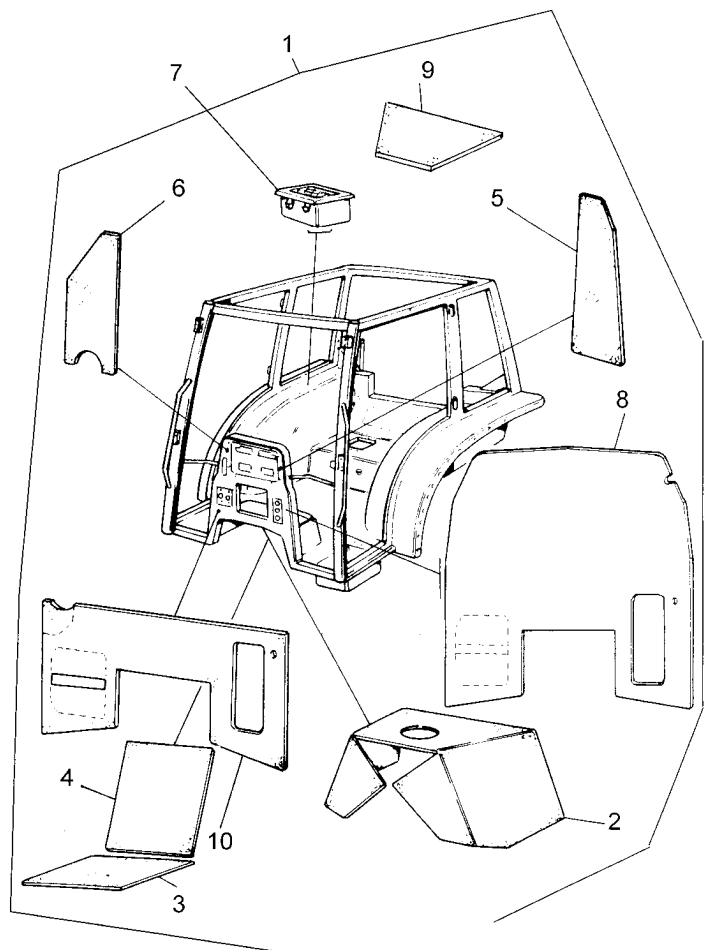
U-47
10

TRACTOR CAB - FRAME AND PLATFORM - CLADDING

Globus 70

U4710

4-AU64-006-D



- | | | | | | |
|----|-----------|---|------------------------------------|---|---------|
| 9 | 3647000M1 | ● | 3647000M2 (1) | 1 | LAGGING |
| | | ! | 1 | | |
| | | | T-A 0:50 | | |
| 10 | 3557015M1 | ● | 3651202M92 (1) | 1 | FACING |
| | | ! | 1 | | |
| | | | T-A 0:25 | | |
| | ! | | THIS IS A COMPONENT OF AN ASSEMBLY | | |
| | B | | WITH ELECTRONIC LIFT | | |
| | C | | WITHOUT ELECTRONIC LIFT | | |
| | T-A | | Replacement | | |
| | Y | | WITH CAB | | |

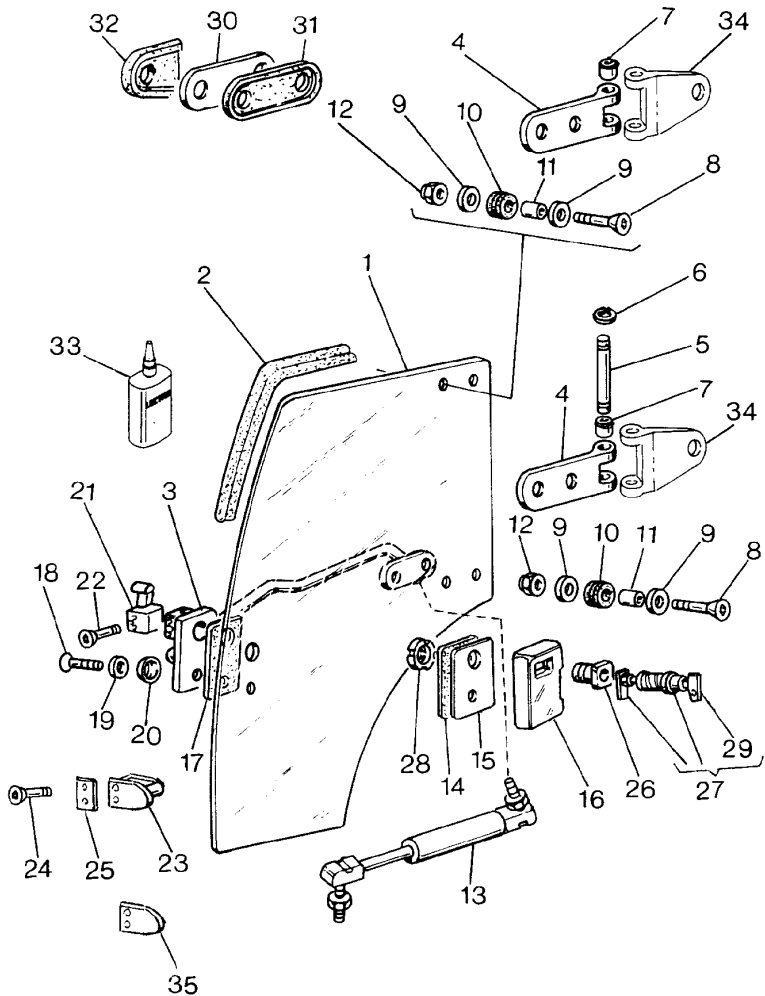
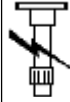
TRACTOR CAB

U-47
16

TRACTOR - "DOORS"

Globus 70

U4716



- | | | | | |
|----|------------|-------------------------|---|-------------|
| 14 | 3554023M1 | | 2 | GASKET |
| 15 | 3554034M1 | T-A 0:50 | 2 | PLATE |
| 16 | 3554907M1 | ◀ T-A 0:50 | 1 | HANDLE |
| 16 | 3554908M1 | ▶ T-A 0:50 | 1 | HANDLE |
| 17 | 3554023M1 | T-A 0:50 | 2 | GASKET |
| 18 | 3008342X1 | | 4 | SCREW |
| 19 | 3556685M1 | | 4 | LOCK WASHER |
| 20 | | C | 2 | WASHER |
| 21 | 3555542M91 | ▶ | 1 | LOCK |
| 21 | 3555543M91 | ◀ | 1 | LOCK |
| 22 | 3009672X1 | | 4 | SCREW |
| 23 | 3647440M91 | | 2 | PLATE |
| 24 | 3009430X1 | | 4 | SCREW |
| 25 | 3647460M1 | | 4 | NAMEPLATE |
| 26 | 3647164M1 | ● 3554022M3 (2) | 2 | VALVE SEAT |
| | | T-A 0:50 | | |
| 27 | 3555541M93 | (X) 0.0.2.4
T-A 0:50 | 2 | BLOCK |
| 28 | 3555540M1 | | 2 | FERRULE |
| 29 | | ▶ REF.N.27 | 2 | KEY |

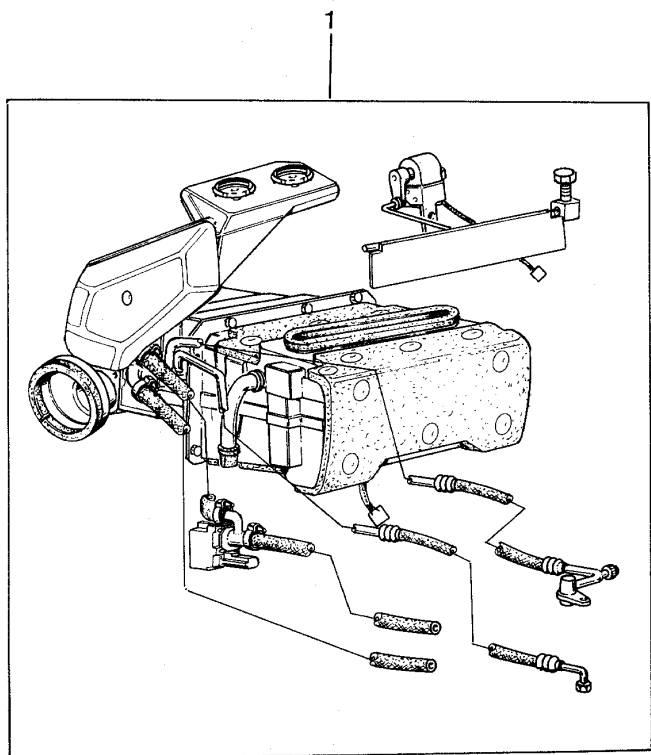
TRACTOR CAB

U-47
22

TRACTOR CAB - AIR CONDITIONER - KITS

Globus 70

U4722



1 3647830M91 ● 3651202M92 (1) 1 KIT
3654329M91 (1)

A

A

B

T-A 3:0

1 3647831M92 ● 3654331M91 (1) 1 KIT

A

B

B

T-A 3:0

A WITH CONDITIONED AIR

A KIT AIR CONDITIONER CAB GROUP

B FOR DETAIL SEE PAGE

B KIT AIR CONDITIONER ENGINE GROUP

T-A Replacement

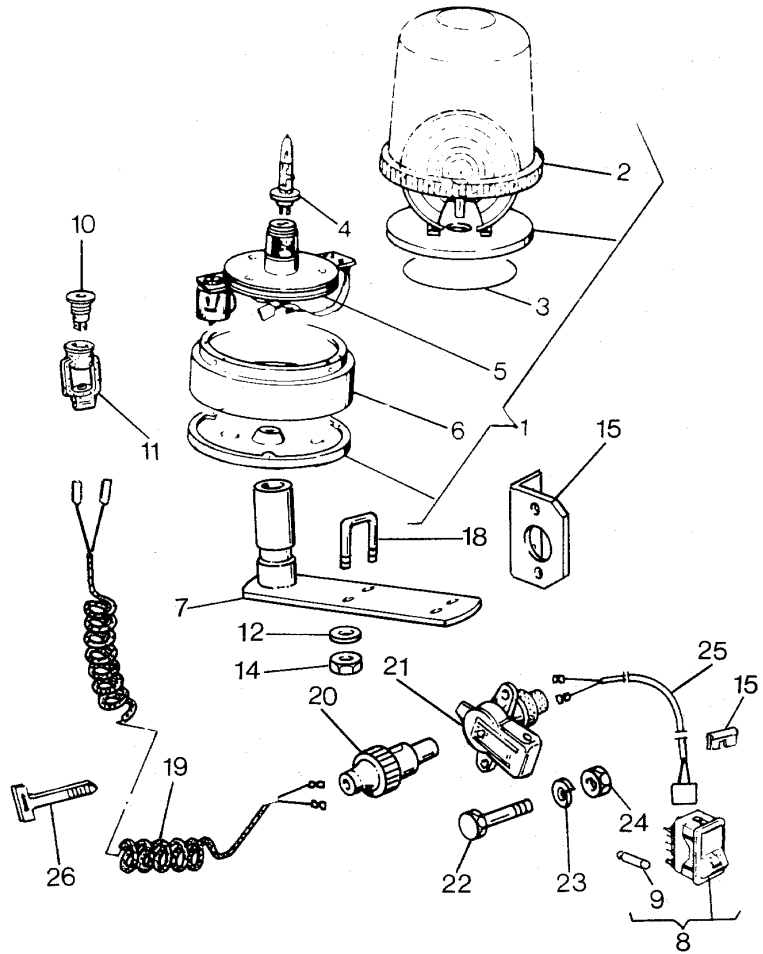
TRACTOR CAB

U-47
27

ROTATING LIGHT - WITH 2 POST ROPS

Globus 70

U4727



1	3535824M91	●	N.L.S. (1)	1	LIGHT
			T-A 0:25		
2	3310331M1	!	1	1	GLASS
			(X) 0.0.1.4		
			T-A 0:25		
3		!	1	1	RING
		➡	REF.N.1		
4	3405180M1	!	1	1	BULB
			(X) 0.1.2.4		
			T-A 0:25		
5		!	1	1	SUPPORT
		➡	REF.N.1		
6		!	1	1	BASE
		➡	REF.N.1		
7	3559726M91			1	SUPPORT
			T-A 0:25		
8	3559639M91			1	SWITCH,IND
			T-A 0:25		
9	3310618M1	!	8	1	LAMP
			(X) 1.2.4.8		
			T-A 0:25		
10	3535827M92			1	PLUG SOCKET
11	3535828M1			1	PLUG
12	390971X1			4	WASHER
14	1441500X1			4	NUT
15	3533928M91			1	FUSE
			(X) 1.2.4.8		
			T-A 0:25		

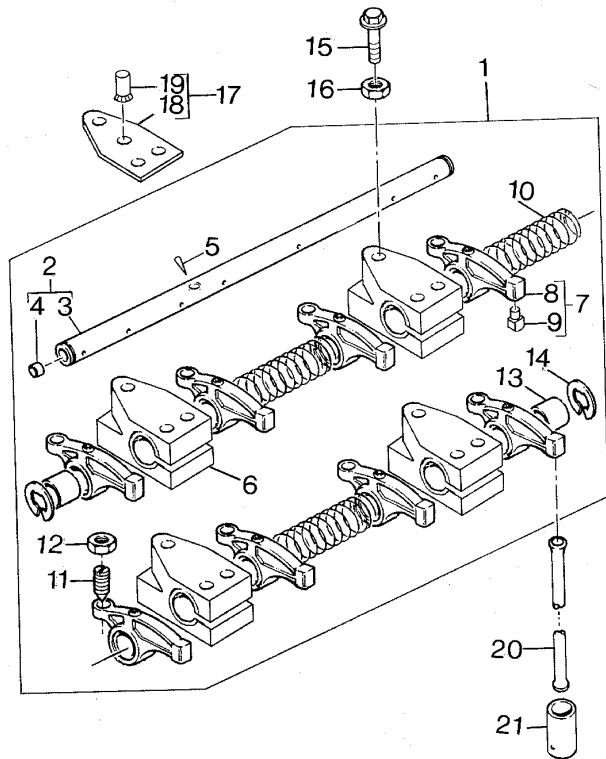
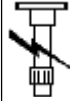
ENGINE

**A-05
06**

ROCKER SHAFT - PLATE A - 704-30 ENGINE

Globus 70

A0506



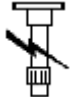
1	ZZ90167		1	AXLE
2	ZZ90169	!	1	SHAFT
		(X) 0.1.2.4		
		T-A 1:50		
3		!	2	SHAFT
		➡ REF.N.2		
4	32417137	!	2	PLUG
5	2116A053	!	1	PIN
6	3818X101	!	1	SUPPORT
		T-A 2:50		
7	U4115R304	● 4115R304 (8)	8	LEVER
		!	1	
		T-A 3:0		
8		!	7	LEVER
		➡ REF.N.7		
9	U3244A006	!	7	PAD
10	3174P802	!	1	SPRING
		T-A 2:50		
11	U3211E002	● 3211E002 (8)	8	SCREW
		!	1	
12	2318A208	!	1	NUT
13	3311R004	!	1	SPACER
		T-A 3:25		
14	2722A019	!	1	RING
15	2314F012		8	SCREW
16	2318A603		4	NUT
17	U3753H015	● 3753H016 (3)	3	PLATE

ENGINE

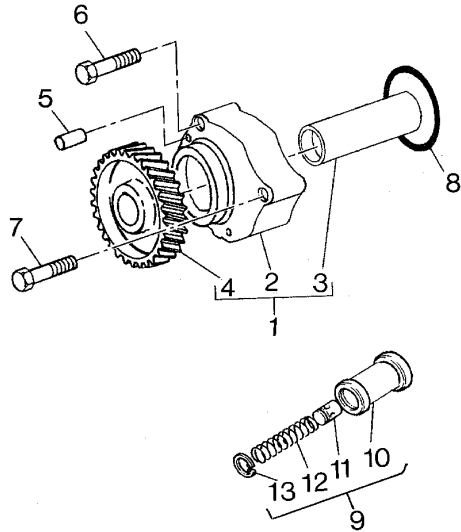
A-05
10

LUBRICATING OIL PUMP AND DELIVERY HOUSING - PLATE A - 704-30 ENGINE

Globus 70



A0510



1	4132F059	●	2311D040 (3) 4132F065 (1)	1	PUMP
			T-A 5:0		
2		!	1	1	BODY
		➤	REF.N.1		
3		!	1	1	SHAFT
		➤	REF.N.1		
4	3117C181	●	2311D040 (3) 4132F065 (1)	1	GEAR
		!	1		
			T-A 5:0		
5	3244A004			2	DOWEL
6	2311D039			2	SCREW
7	2311D040			1	SCREW
8	2415A039			1	RING
9	4138A048			1	VALVE
			T-A 5:25		
10		!	9	1	BODY
		➤	REF.N.9		
11	3245A001	!	9	1	PLUNGER
			T-A 5:25		
12	3174D006	!	9	1	SPRING
			T-A 5:25		
13	2721A007	!	9	1	RING
			T-A 5:25		
!			THIS IS A COMPONENT OF AN ASSEMBLY		
➤			NOT SERVICED, ORDER		
T-A			Replacement		

ENGINE

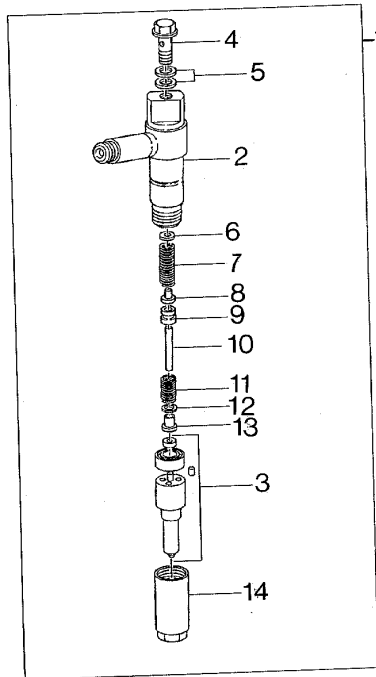
A-05
13

FUEL INJECTION EQUIPMENT (DIESEL) - PLATE A - 704-30 ENGINE

Globus 70



A0513



6	26420241	✕	0,54MM T-A 0:75	999 SHIM
6	26420242	✕	0,55MM T-A 0:75	999 SHIM
6	26420243	✕	0,56MM T-A 0:75	999 SHIM
6	26420244	✕	0,57MM T-A 0:75	999 SHIM
6	26420245	✕	0,58MM T-A 0:75	999 SHIM
6	26420246	✕	0,59MM T-A 0:75	999 SHIM
6	26420247	✕	0,10MM T-A 0:75	999 SHIM
7	26420218	●	N.L.A. (1)	1 SPRING
		!	1 T-A 0:75	
8	26420219	!	1 T-A 0:75	1 WASHER
9	26420220	!	1 T-A 0:75	1 BUSH
10	26420248	!	1 T-A 0:75	1 PIN

ENGINE

Globus 70

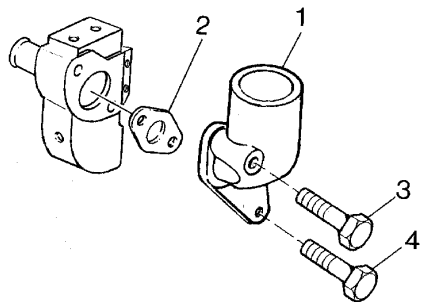
A-05
19



A0519

WATER OUTLET AND INLET - PLATE A - 704-30 ENGINE

- | | | | | |
|-----|---|-------------|---|------------|
| 1 | 3765D021 | | 1 | CONNECTION |
| 2 | 36834169 | T-A 0:50 | 1 | GASKET |
| | | (X) 0.2.4.8 | | |
| | | T-A 0:50 | | |
| 3 | 2314J006 | | 1 | SCREW |
| 4 | 2314J010 | | 1 | SCREW |
| T-A | Replacement | | | |
| (X) | QTY PER TRACTORS SOLD (AA.BBB.CCC.DDD) (AA) FOR | | | |
| | 1,(BBB) 2-10 (CCC) 11-25 (DDD) 26-50 | | | |



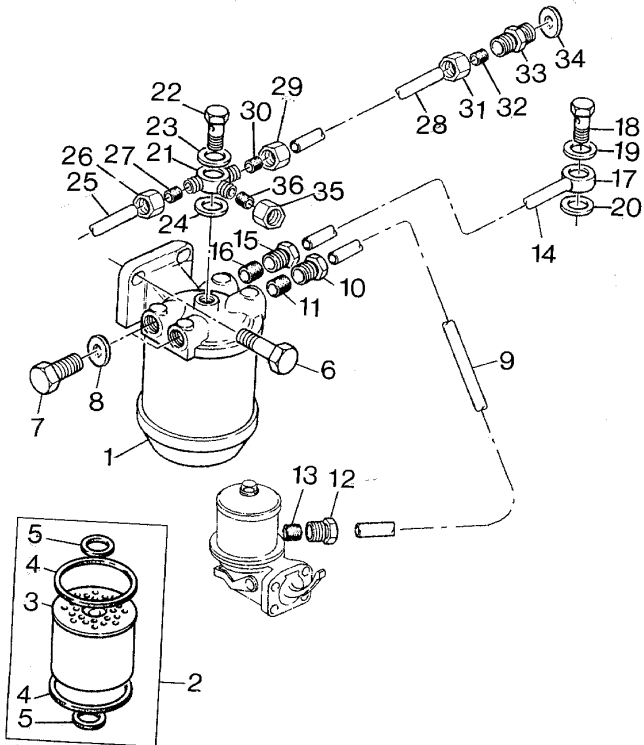
ENGINE

**A-05
26**

FUEL SYSTEM - PLATE B - 704-30 ENGINE

Globus 70

A0526



21	3172X002		1	CONNECTION
		T-A 0:25		
22	3302623M1		1	UNION
		T-A 0:25		
23	0920155		1	WASHER
		T-A 0:25		
24	0920155		1	WASHER
		T-A 0:25		
25	◇ A-05 11 24		1	PIPE
26	◇ A-05 11 25		1	UNION
27	◇ A-05 11 26		1	OLIVE
28	3525K004		1	PIPE
		T-A 0:25		
29	33225413		1	NUT
30	33811115		1	RING
31	33225413		1	NUT
32	33811115		1	RING
33	3355M009		1	CONNECTION
		T-A 0:25		
34	2411152		1	WASHER
35	0576112		1	NUT
36	0566003		1	SPINNER

!

THIS IS A COMPONENT OF AN ASSEMBLY

◇

SEE PAGE - REFERENCE NUMBER

└

ALTERNATIVE

▣

NOT SERVICED, ORDER

T-A

Replacement

(X)

QTY PER TRACTORS SOLD (AA.BBB.CCC.DDD) (AA) FOR
1,(BBB) 2-10 (CCC) 11-25 (DDD) 26-50

ENGINE ANCILLARY EQUIPMENT

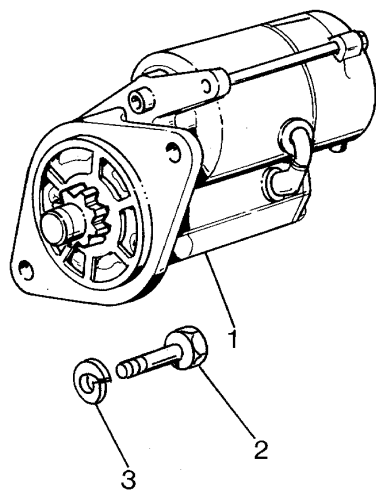
C-32
03

STARTER MOTOR - COMPONENT KIT - "NIPPON DENSO" TYPE (ISEKI)

Globus 70



C3203



- | | | | | |
|---|-----------|-------------|---|-------------|
| 1 | 355574M91 | A | 1 | STARTERMOTO |
| | | (X) 0.1.2.3 | | R |
| | | T-A 0:75 | | |
| 2 | 339299X1 | | 2 | SCREW |
| 3 | 339369X1 | | 2 | LOCK WASHER |
| 4 | 3536801M1 | | 1 | LOCTITE |

A COMPONENT PARTS TO BE ADVISED.

T-A Replacement

(X) QTY PER TRACTORS SOLD (AA.BBB.CCC.DDD) (AA) FOR
1,(BBB) 2-10 (CCC) 11-25 (DDD) 26-50

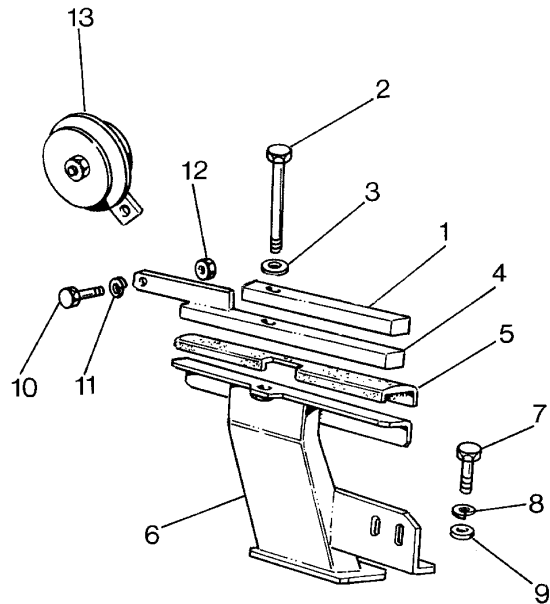
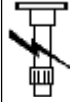
ENGINE ANCILLARY EQUIPMENT

C-32
09

FUEL TANK AND ATTACHMENTS

Globus 70

C3209



- | | | | | |
|-----|--------------|----------------------------|---|-------------|
| 1 | 3533687M1 | | 1 | CROSSPIECE |
| 2 | 339013X1 | T-A 0:75 | 2 | SCREW |
| 3 | 390972X1 | | 2 | WASHER |
| 4 | 3555172M91 | | 1 | CROSSPIECE |
| 5 | 3553586M1 | T-A 0:75 | 2 | PAD |
| 6 | 3555724M91 ◀ | T-A 0:75 | 1 | SUPPORT |
| 6 | 3556445M91 ▶ | T-A 0:75 | 1 | SUPPORT |
| 7 | 339123X1 | T-A 0:75 | 4 | SCREW |
| 8 | 339374X1 | | 4 | LOCK WASHER |
| 9 | 390972X1 | | 4 | WASHER |
| 10 | 339124X1 | | 1 | SCREW |
| 11 | 339374X1 | | 1 | LOCK WASHER |
| 12 | 339169X1 | ● 394367X1 (1)
AW044090 | 1 | NUT |
| 13 | | | 1 | HORN |
| ◀ | | LEFT HAND | | |
| ▶ | | RIGHT HAND | | |
| T-A | | Replacement | | |

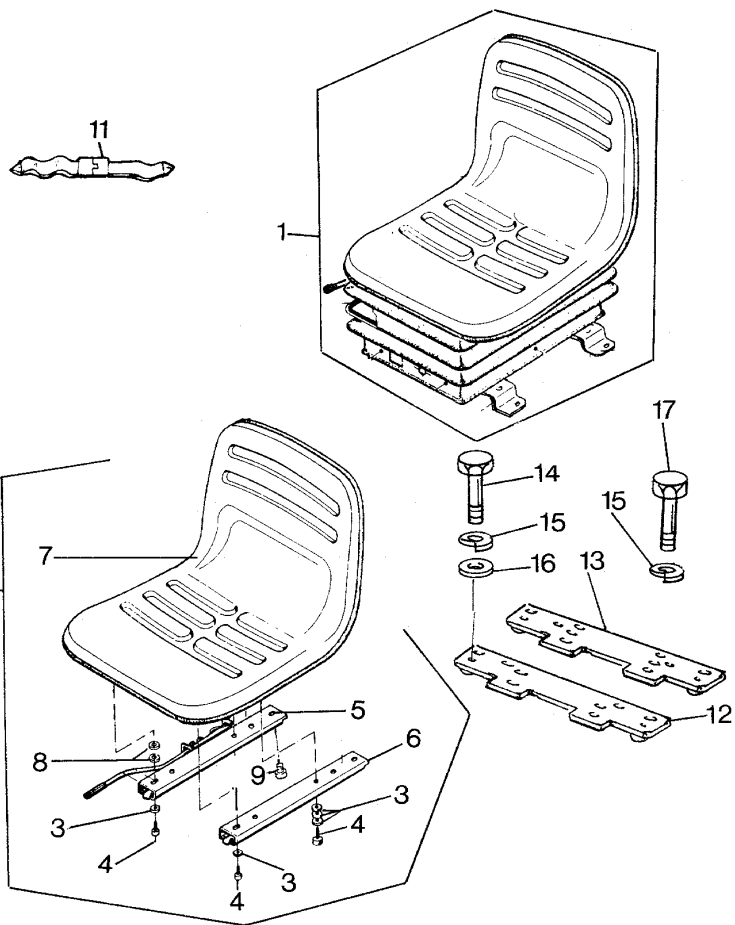
FENDERS FOOTSTEPS AND PLATFORM

S-22
01

SEAT "GRAMMER"

Globus 70

S2201



- | | | | | | |
|----|------------|---|----------------|---|---------|
| 1 | 3547339M91 | ● | 3541694M91 (1) | 1 | SEAT |
| | | | A | | |
| | | | (X) 0.0.1.4 | | |
| | | | T-A 0:50 | | |
| 2 | 3106006M91 | ! | 1 | 1 | SEAT |
| | | | T-A 0:25 | | |
| 3 | 339024X1 | ! | 2 | 5 | WASHER |
| 4 | 1441000X1 | ! | 2 | 3 | SCREW |
| 5 | 3105023M1 | ! | 2 | 1 | SLIDE |
| | | ▶ | T-A 0:75 | | |
| 6 | 3105020M1 | ! | 2 | 1 | SLIDE |
| | | ◀ | T-A 0:75 | | |
| 7 | | ! | 2 | 1 | CUSHION |
| | | ▶ | REF.N.2 | | |
| 8 | 391039X1 | ! | 2 | 4 | WASHER |
| 9 | 3484806M1 | ! | 2 | 1 | SCREW |
| 10 | 3102359M1 | ! | 3 | 1 | WASHER |
| 11 | 3543680M91 | | B | 2 | KIT |
| | | | T-A 0:50 | | |
| 11 | 3543680M91 | | T-A 0:50 | 1 | KIT |
| 12 | 3547863M93 | | T-A 0:75 | 1 | STIRRUP |
| 13 | 3547862M92 | ● | 3547862M94 (1) | 1 | STIRRUP |
| | | | T-A 0:75 | | |

FENDERS FOOTSTEPS AND PLATFORM

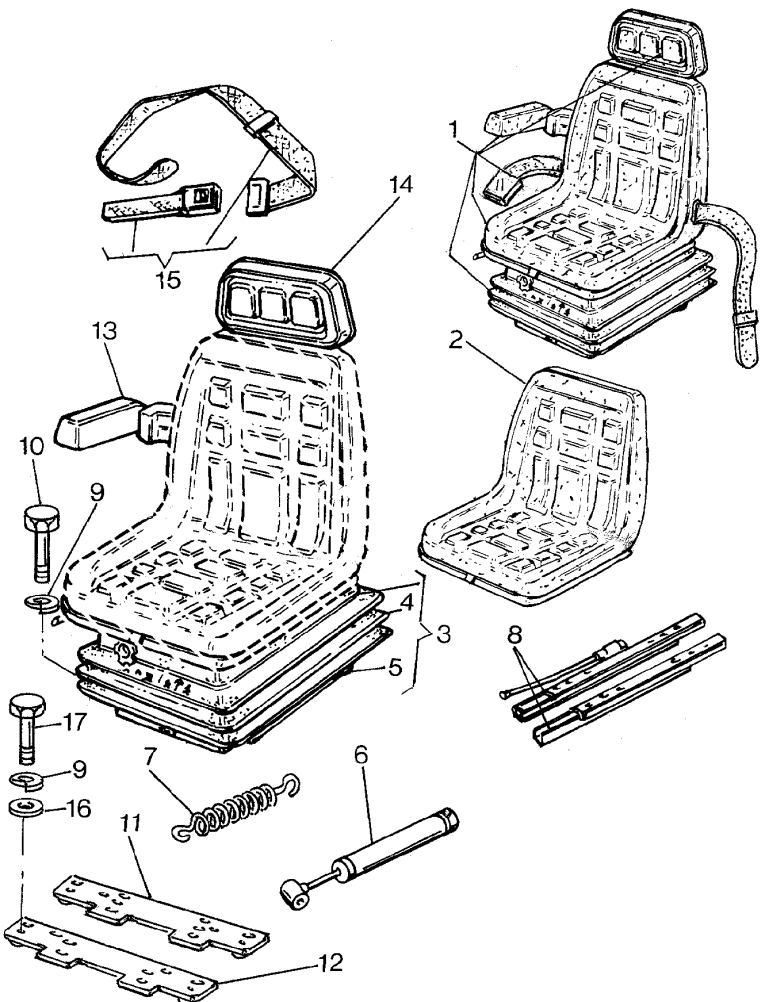
S-22
05

SEAT "MT"

Globus 70



S2205



12	3547862M92	●	3547862M94 (1)	1	STIRRUP
			T-A 0:75		
13	3649438M91	▶		1	ARMREST
			T-A 0:25		
14	3556920M91			1	EXTENSION
			T-A 0:25		
15	3649607M91			1	KIT
			T-A 0:25		
15	3649622M91			2	SURROUND
			B		
			T-A 0:25		
16	390972X1			4	WASHER
17	339761X1			4	SCREW

! THIS IS A COMPONENT OF AN ASSEMBLY
 NOT SERVICED, ORDER
 A CLOTH SEAT.
 B WITH SECONDARY PASSENGER SEAT
 ◀ LEFT HAND
 ▶ RIGHT HAND
 T-A Replacement
 (X) QTY PER TRACTORS SOLD (AA.BBB.CCC.DDD) (AA) FOR
 1,(BBB) 2-10 (CCC) 11-25 (DDD) 26-50

FRONT AXLE AND STEERING

J-09
01

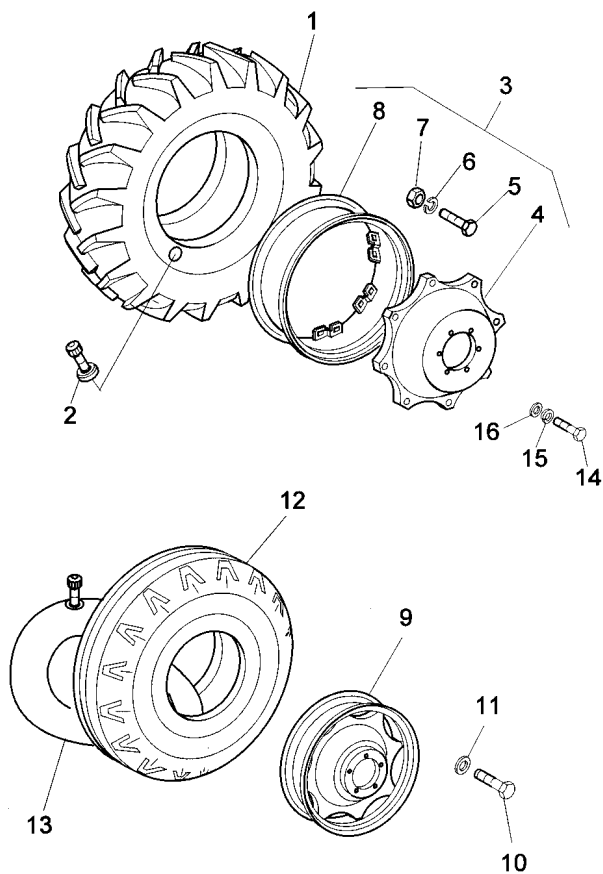
FRONT WHEELS - HOOPS AND TYRES

Globus 70

J0901



4-AL01-086-C



1	3308835M1	12.4 R20 T-A 1:25	2	TYRE AND TUBE
1	3535123M1	11.2 R20 T-A 1:25	2	TYRE AND TUBE
1	3535127M1	7.50 R20 T-A 1:25	2	TYRE AND TUBE
1	3549374M1	● 3670808M1 (2) 360/70 R20 T-A 1:25	2	TYRE AND TUBE
1	3554169M1	9.5 R20 T-A 1:25	2	TYRE AND TUBE
1	3554175M1	260/70 R20 T-A 1:25	2	TYRE AND TUBE
1	3554178M1	320/70 R20 T-A 1:25	2	TYRE AND TUBE
1	3554179M1	8.3 R24 T-A 1:25	2	TYRE AND TUBE
1	3649764M1	280/70 R20 T-A 1:25	2	TYRE AND TUBE
1	3649872M1	29X12.5-15 T-A 1:25	2	TYRE AND TUBE
1	3650103M1	340/75 R20 T-A 1:25	2	TYRE AND TUBE

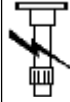
FRONT AXLE AND STEERING

J-09
04

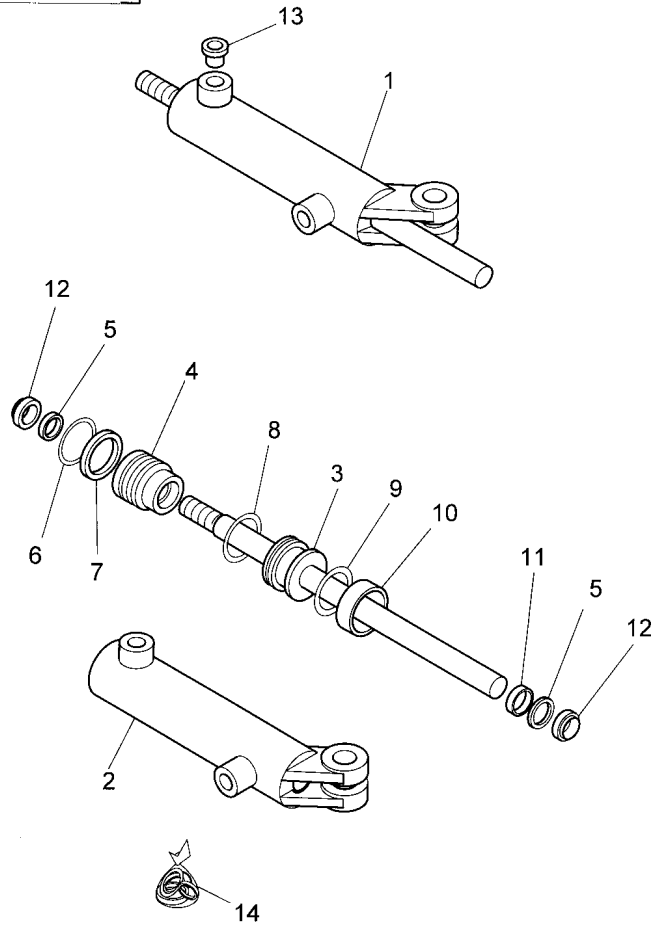
STEERING CYLINDER - 2 WHEEL DRIVE

Globus 70

J0904



4-1316-033-B



1	3648592M91	∅ 22	1	CYLINDER
		T-A 0:75		
2		!	1	BARREL
		REF.N.1		
3	3649437M91	!	1	STEM
		T-A 1:25		
4	3649409M1	!	1	HEAD
		T-A 1:25		
5	3649443M1	!	1	SEAL
		T-A 1:25		
6	1748053M1	!	1	RING
		T-A 1:25		
7	1442710X1	!	1	O RING
		T-A 1:25		
8	3314297M1	!	1	RING
		T-A 1:25		
9	3484839M1	!	1	SEAL
		T-A 1:25		
10	1606843M1	!	1	GUIDE
		T-A 1:25		
11	3649649M1	!	1	RING
		T-A 1:25		
12	3015208X1	!	1	RING
		T-A 1:25		

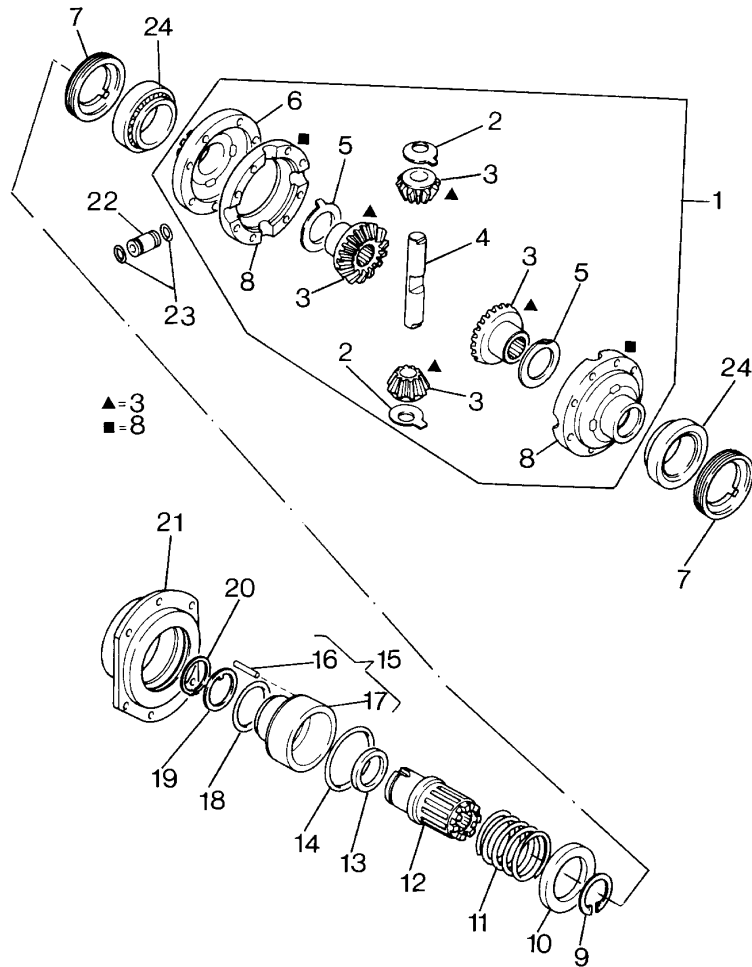
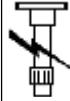
FRONT AXLE AND STEERING

J-09
09

FRONT AXLE 4 WHEEL DRIVE - DIFFERENTIAL - WITH FRONT BRAKING

Globus 70

J0909



14	359236X1		1	O RING
		(X) 0.1.2.4 T-A 7:0		
15	3427459M91	● 3427444M1 (1) 3427460M1 (1)	1	PISTON
		T-A 7:0		
16	3427444M1	! 15	1	DOWEL
17	3427460M1	! 15	1	PISTON
		T-A 7:0		
18	3019927X1		1	O RING
		(X) 0.1.2.4 T-A 7:0		
19	3427463M1		1	WASHER
		T-A 7:0		
20	1442697X1		1	RING
		T-A 7:0		
21	3429389M1	● 3429389M4 (1)	1	BOX
		T-A 7:0		
22	3429406M1		1	UNION
		T-A 0:50		
23	3019914X1		2	O RING
		T-A 0:50		
24	3009853X1		2	BEARING
		(X) 0.1.2.4 T-A 7:0		
!	THIS IS A COMPONENT OF AN ASSEMBLY			
T-A	Replacement			
(X)	QTY PER TRACTORS SOLD (AA.BBB.CCC.DDD) (AA) FOR 1,(BBB) 2-10 (CCC) 11-25 (DDD) 26-50			

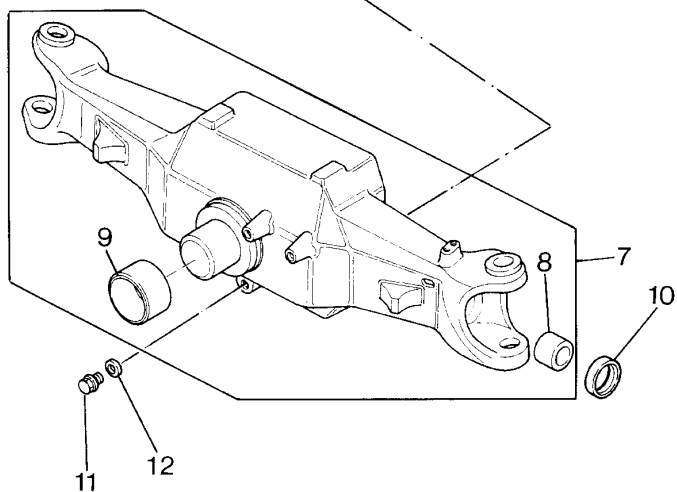
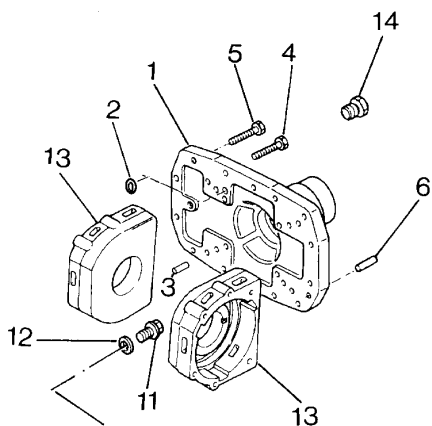
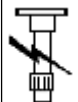
FRONT AXLE AND STEERING

J-09
14

FRONT AXLE 4 WHEEL DRIVE - HOUSING AND SUPPORTS - WITH FRONT BRAKING

Globus 70

J0914



- | | | | | | |
|----|------------|---|----------------|----|---------|
| 1 | 3764631M2 | ● | 3764631M3 (1) | 1 | SUPPORT |
| | | | T-A 7:50 | | |
| 2 | 3015022X1 | | | 4 | O RING |
| 3 | 3019948X1 | ● | 3764700M1 (4) | 4 | DOWEL |
| 4 | 1441366X1 | | | 8 | SCREW |
| 5 | 3428397M1 | | | 12 | SCREW |
| 6 | 393596X1 | | | 2 | DOWEL |
| 7 | 3764649M91 | ● | 3764649M92 (1) | 1 | BODY |
| 8 | 3764663M1 | ! | 7 | 2 | BUSH |
| | | | (X) 0.1.2.4 | | |
| | | | T-A 2:50 | | |
| 9 | 3764664M1 | ! | 7 | 1 | BUSH |
| | | | T-A 2:50 | | |
| 10 | 3428829M1 | | | 2 | RING |
| | | | T-A 2:25 | | |
| 11 | 3429400M1 | | | 2 | PLUG |
| 12 | 3427185M1 | | | 2 | RING |
| 13 | 3429388M2 | ● | 3429388M3 (2) | 2 | BOX |
| | | | T-A 7:0 | | |

- | | | | | | |
|----|------------|--|------------------------------------|---|------|
| 14 | 3019647X91 | | | 1 | PLUG |
| ! | | | THIS IS A COMPONENT OF AN ASSEMBLY | | |

T-A

Replacement

(X)

QTY PER TRACTORS SOLD (AA.BBB.CCC.DDD) (AA) FOR
1,(BBB) 2-10 (CCC) 11-25 (DDD) 26-50

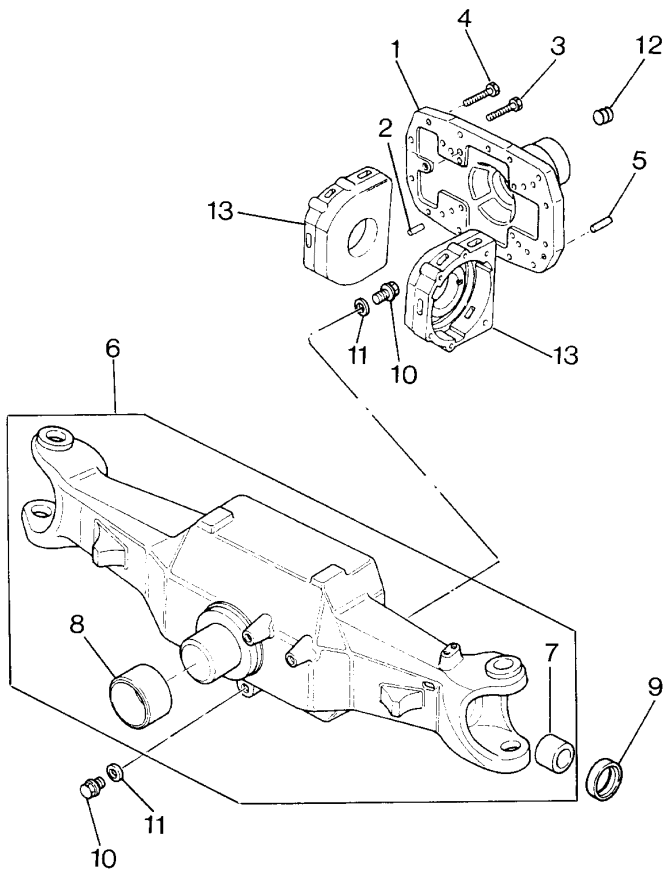
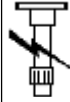
FRONT AXLE AND STEERING

J-09
20

FRONT AXLE 4 WHEEL DRIVE - HOUSING AND SUPPORTS - WITHOUT FRONT BRAKING

Globus 70

J0920



- | | | | | | |
|----|------------|---|----------------|----|---------|
| 1 | 3764631M2 | ● | 3764631M3 (1) | 1 | SUPPORT |
| | | | T-A 7:50 | | |
| 2 | 3019948X1 | ● | 3764700M1 (4) | 4 | DOWEL |
| 3 | 1441366X1 | | | 8 | SCREW |
| 4 | 3428397M1 | | | 12 | SCREW |
| 5 | 393596X1 | | | 2 | DOWEL |
| 6 | 3764649M91 | ● | 3764649M92 (1) | 1 | BODY |
| | | | T-A 9:0 | | |
| 7 | 3764663M1 | ! | 6 | 2 | BUSH |
| | | | T-A 2:50 | | |
| 8 | 3764664M1 | ! | 6 | 1 | BUSH |
| | | | T-A 2:50 | | |
| 9 | 3428829M1 | | | 2 | RING |
| | | | T-A 2:25 | | |
| 10 | 3429400M1 | | | 2 | PLUG |
| 11 | 3427185M1 | | | 2 | RING |
| 12 | 1442560X1 | | | 4 | PLUG |
| 13 | 3429388M2 | ● | 3429388M3 (2) | 2 | BOX |

! THIS IS A COMPONENT OF AN ASSEMBLY
T-A Replacement

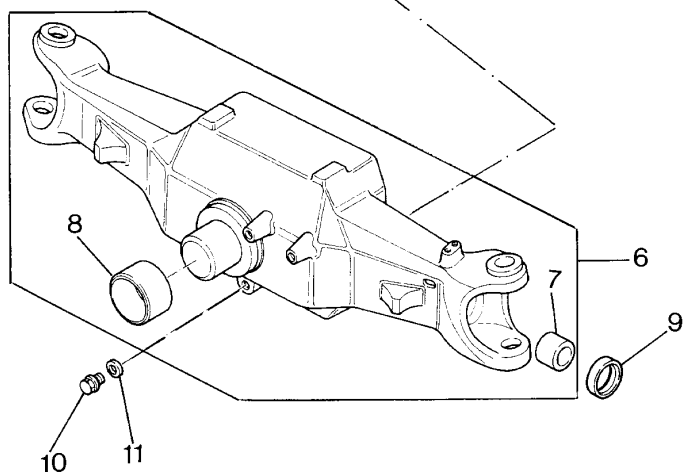
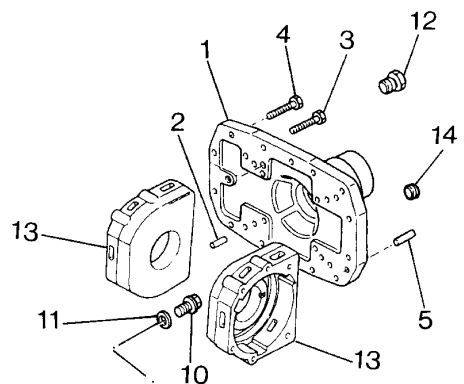
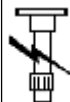
FRONT AXLE AND STEERING

J-09
25

FRONT AXLE 4 WHEEL DRIVE - HOUSING AND SUPPORTS - WITHOUT FRONT BRAKING

Globus 70

J0925



- | | | | | | |
|-----|------------|---|------------------------------------|----|---------|
| 1 | 3764631M2 | ● | 3764631M3 (1) | 1 | SUPPORT |
| | | | T-A 7:50 | | |
| 2 | 3019948X1 | ● | 3764700M1 (4) | 4 | DOWEL |
| 3 | 1441366X1 | | | 8 | SCREW |
| 4 | 3428397M1 | | | 12 | SCREW |
| 5 | 393596X1 | | | 2 | DOWEL |
| 6 | 3764649M91 | ● | 3764649M92 (1) | 1 | BODY |
| | | | T-A 9:0 | | |
| 7 | 3764663M1 | ! | 6 | 2 | BUSH |
| | | | T-A 2:50 | | |
| 8 | 3764664M1 | ! | 6 | 1 | BUSH |
| | | | T-A 2:50 | | |
| 9 | 3428829M1 | | | 2 | RING |
| | | | T-A 2:25 | | |
| 10 | 3429400M1 | | | 2 | PLUG |
| 11 | 3427185M1 | | | 2 | RING |
| 12 | 3019647X91 | | | 1 | PLUG |
| 13 | 3429388M2 | ● | 3429388M3 (2) | 2 | BOX |
| | | | T-A 7:0 | | |
| 14 | 1442560X1 | | | 4 | PLUG |
| ! | | | THIS IS A COMPONENT OF AN ASSEMBLY | | |
| T-A | | | Replacement | | |

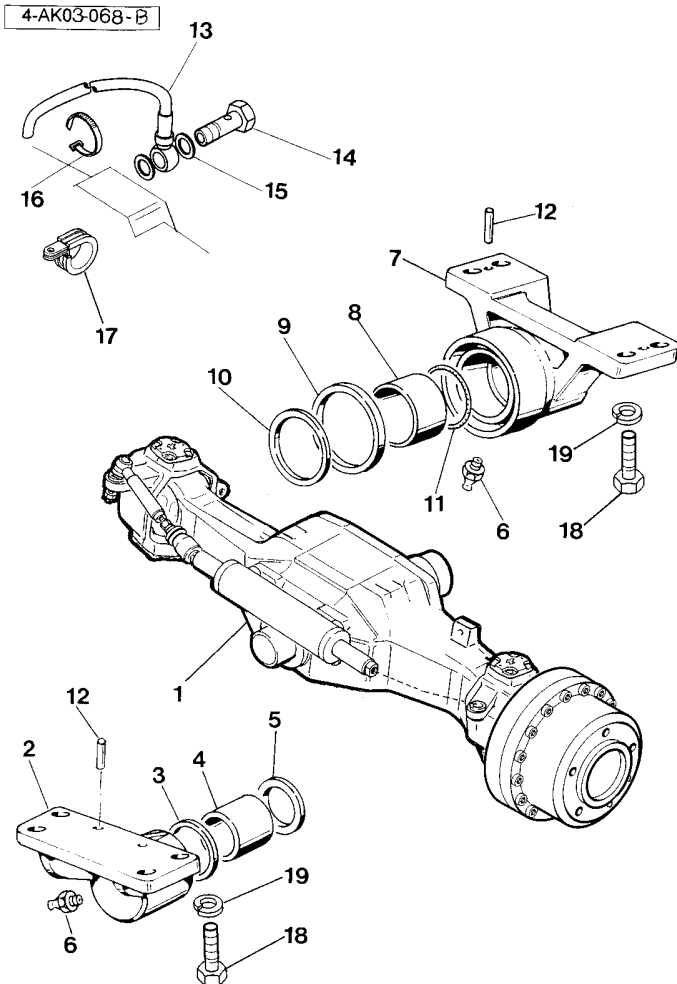
FRONT AXLE AND STEERING

J-09
30

FRONT AXLE 4 WHEEL DRIVE - HOUSING AND SUPPORTS - "SHERPA" MODEL

Globus 70

J0930



1	3765282M92	A B T-A 2:25	1	AXLE
1	3765283M92	B B T-A 2:25	1	AXLE
1	3765284M92	A C T-A 2:25	1	AXLE
1	3765285M92	B C T-A 2:25	1	AXLE
2	3555864M1	ANT. (X) 0.0.1.2 T-A 2:25	1	SUPPORT
3	3555862M1	(X) 0.1.2.4 T-A 2:25	1	WASHER
4	3555868M1	(X) 0.1.2.4 T-A 2:50	1	BUSH
5	3015338X1	(X) 0.1.2.4 T-A 2:25	1	RING
6	339608X1		2	GREASER
7	3555863M1	POST. (X) 0.0.1.2 T-A 2:25	1	SUPPORT

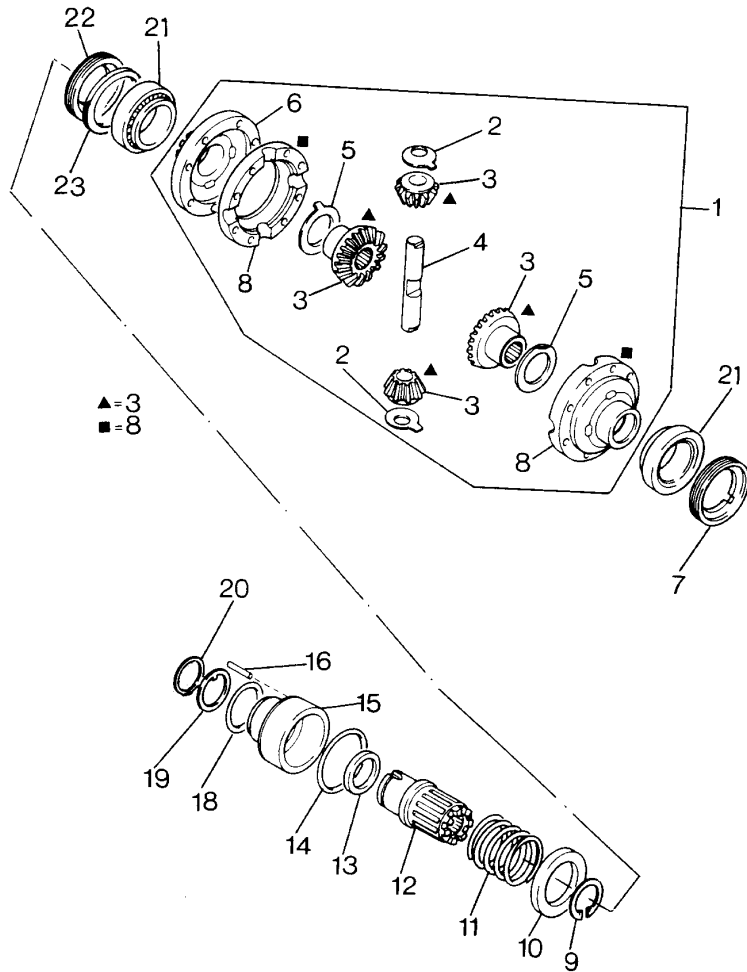
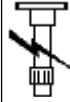
FRONT AXLE AND STEERING

J-09
35

FRONT AXLE 4 WHEEL DRIVE - DIFFERENTIAL - "SHERPA" MODEL

Globus 70

J0935



14	1004636M1	(X) 0.1.2.4 T-A 7:0	1	O RING
15	3428737M91	T-A 7:0	1	PISTON
16	3427444M1		1	DOWEL
18	3019921X1	(X) 0.1.2.4 T-A 7:0	1	O RING
19			1	WASHER
20	3006801X1		1	RING
21	3009853X1	(X) T-A 7:0	2	BEARING
22	3428730M1	T-A 7:0	1	SPACER
23	3429077M1	▲ 0.10MM T-A 7:0	999	SHIM
23	3429078M1	▲ 0,15MM T-A 7:0	999	SHIM
23	3429079M1	▲ 0,30MM T-A 7:0	999	SHIM
23	3429080M1	▲ 0,50MM T-A 7:0	999	SHIM
23	3429081M1	▲ 0,70MM T-A 7:0	999	SHIM

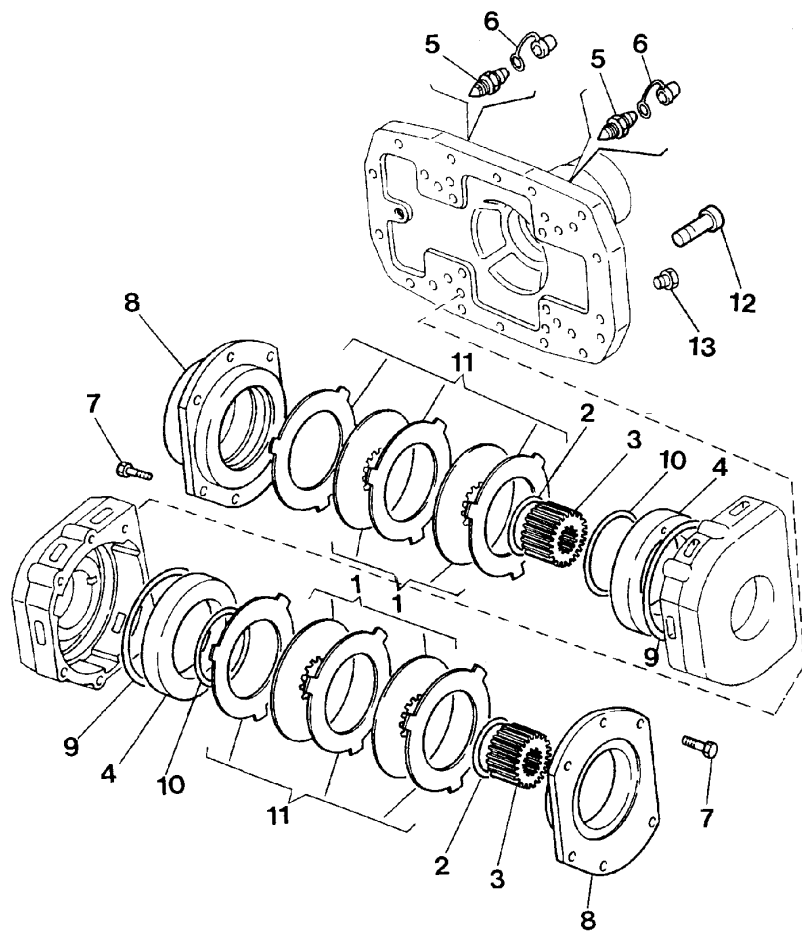
FRONT AXLE AND STEERING

J-09
40

FRONT AXLE 4 WHEEL DRIVE - BRAKE - "SHERPA" MODEL

Globus 70

J0940



1	3429015M1	(X) 0.4.8.16 T-A 7:0	4	DISC
2	3429016X1	(X) 0.2.4.8 T-A 7:0	2	RING
3	3429010M1	(X) 0.2.4.8 T-A 7:0	2	SLEEVE
4	3427774M1	T-A 7:0	2	PISTON
5	3427633M1	T-A 0:25	2	VALVE
6	3429083M1	T-A 0:25	2	GUARD
7	1440429X1		10	SCREW
8	3429390M1	T-A 7:0	2	COVER
9	3427682M1	T-A 7:0	2	RING
10	3427773M1	T-A 7:0	2	SEAL
11	3427777M1	T-A 7:0	6	DISC

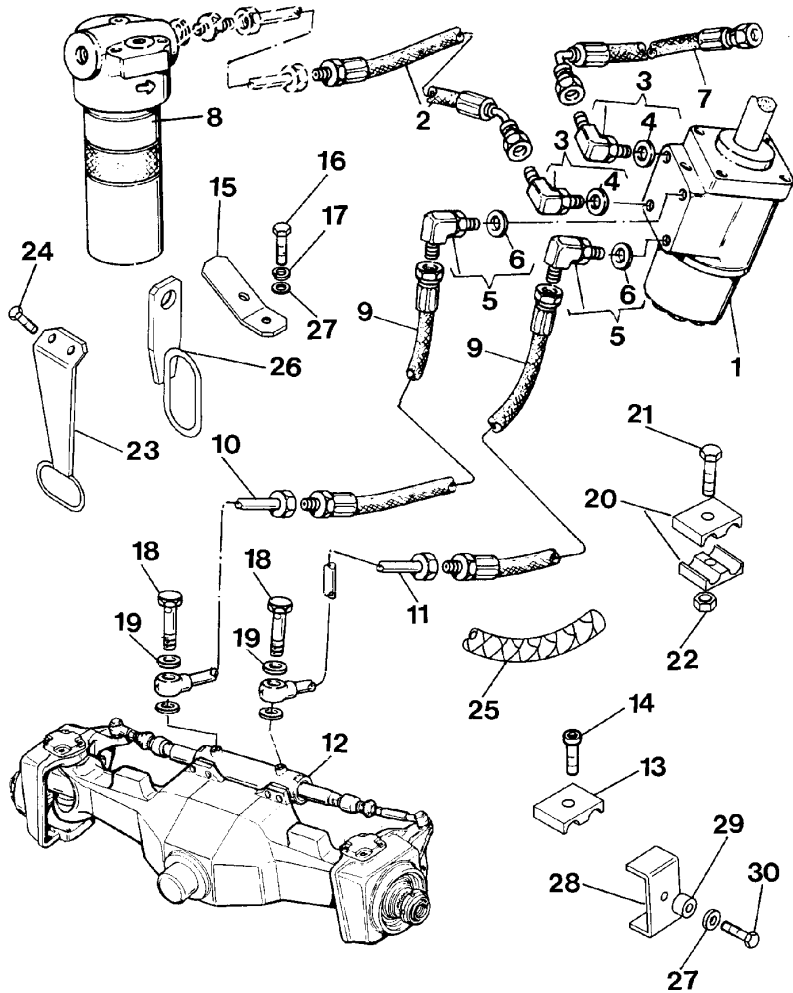
FRONT AXLE AND STEERING

J-09
44

STEERING HYDRAULIC LINES - 4 WHEELS DRIVE

Globus 70

J0944



- | | | | |
|-----|------------------------------------|----------|---------|
| 27 | 390971X1 | 2 | WASHER |
| 28 | 3551391M1 | 1 | STIRRUP |
| | | T-A 0:25 | |
| 29 | 3551507M1 | 1 | SPACER |
| | | T-A 0:25 | |
| 30 | 339262X1 | 1 | SCREW |
| ! | THIS IS A COMPONENT OF AN ASSEMBLY | | |
| ◇ | SEE PAGE - REFERENCE NUMBER | | |
| C | ONLY FOR TRACTORS "SHERPA" | | |
| ◀ | LEFT HAND | | |
| ▶ | RIGHT HAND | | |
| T-A | Replacement | | |

CLICK HERE TO **DOWNLOAD** THE COMPLETE MANUAL

- Thank you very much for reading the preview of the manual.
- You can download the complete manual from: www.heydownloads.com by clicking the link below



- Please note: If there is no response to CLICKING the link, please download this PDF first and then click on it.

CLICK HERE TO **DOWNLOAD** THE COMPLETE MANUAL

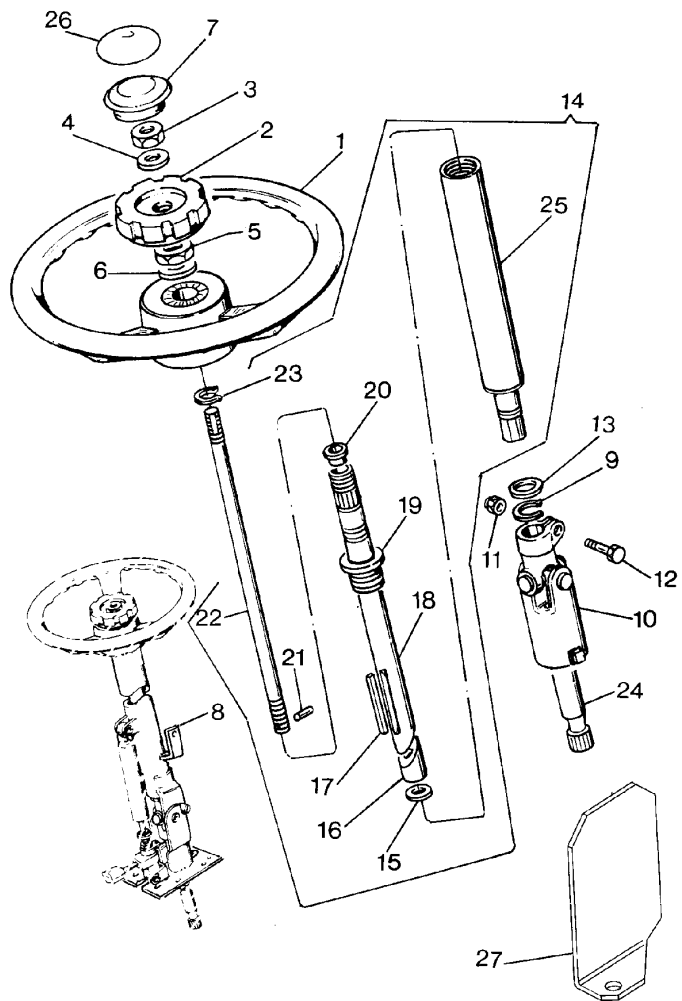
FRONT AXLE AND STEERING

J-09
48

STEERING ADJUSTABLE - STEERING WHEEL AND COLUMN

Globus 70

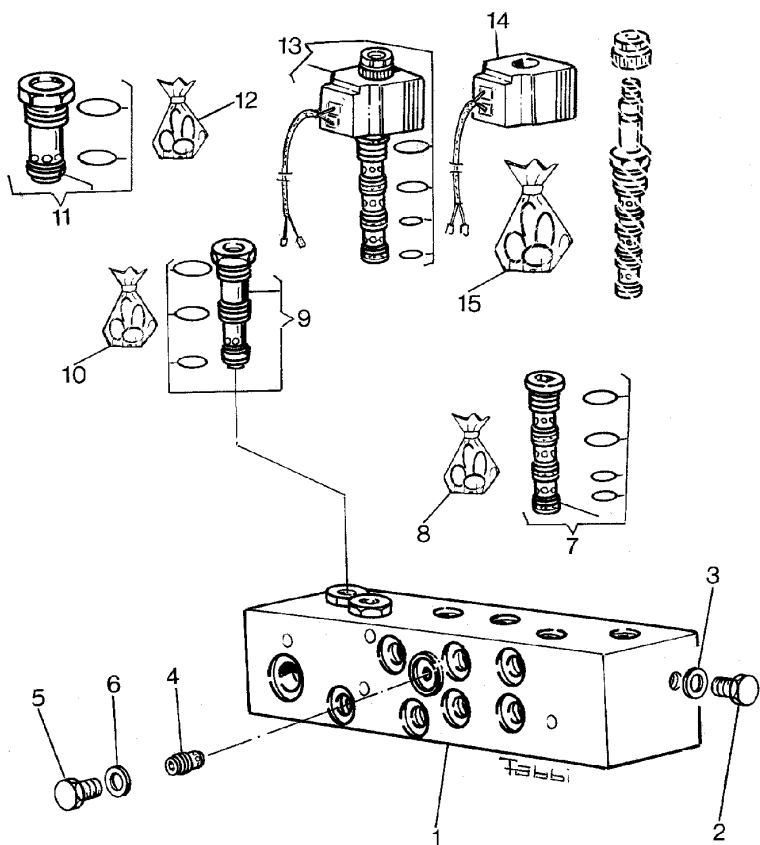
J0948



22	3540940M1	!	14	1	TIE ROD
			A		
			T-A 1:25		
23	1440522X1	!	14	1	RING
			A		
24	3540944M1	!	8	1	SHAFT
			A		
			T-A 1:25		
25	3540947M91	!	14	1	PIPE
			A		
			T-A 1:25		
26	3557113M1	●	3652430M1 (1)	1	MEDALLION
27	3558557M1			1	GUARD
!	THIS IS A COMPONENT OF AN ASSEMBLY				
⌋	ALTERNATIVE				
⏏	NOT SERVICED, ORDER				
A	UP TO SERIAL NO.				
B	FROM SERIAL NO				
C	TO BE ADVISED				
▲	TOP				
▼	LOWER COMPONENT				
T-A	Replacement				

Globus 70

P4203



15 3556037M91 ! 13 999 KIT
 T-A 0:25
 ! THIS IS A COMPONENT OF AN ASSEMBLY
 T-A Replacement
 (X) QTY PER TRACTORS SOLD (AA.BBB.CCC.DDD) (AA) FOR
 1,(BBB) 2-10 (CCC) 11-25 (DDD) 26-50

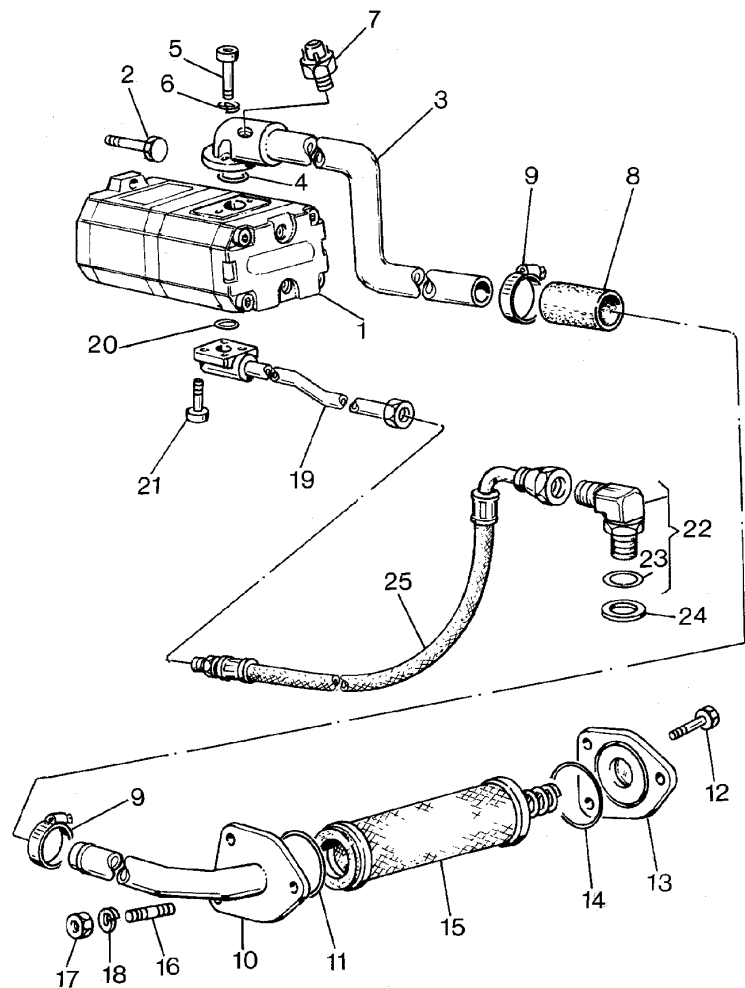
HYDRAULICS AND LINKAGE

P-42
08

HYDRAULICS EQUIPMENT - "PIPING AND PUMP"

Globus 70

P4208



1	A	1 PUMP
2	A	2 SCREW
3	B	1 PIPE
	T-A 0:25	
3	C	1 PIPE
	T-A 0:25	
4		1 O RING
	T-A 0:25	
5	C	2 SCREW
5	B	2 SCREW
6		2 LOCK WASHER
7		1 SWITCH,IND
	T-A 0:25	
8	B	1 SLEEVE
	T-A 0:25	
8	C	1 SLEEVE
	T-A 0:25	
9	C	2 CLAMP
	T-A 0:25	
9	B	2 CLAMP
	T-A 0:25	
10	B	1 PIPE
	T-A 0:25	
10	C	1 PIPE
	T-A 0:25	

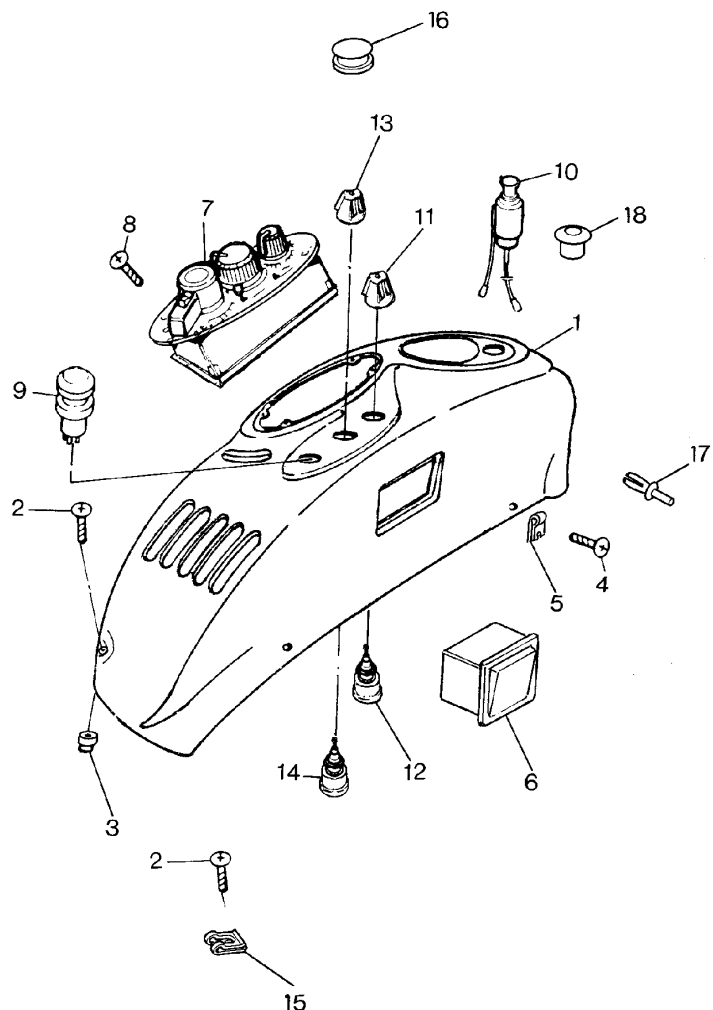
HYDRAULICS AND LINKAGE

P-42
13

ELECTRONIC LIFT - "CONSOLE" - FOR ELECTRONIC LIFT

Globus 70

P4213



1	3558933M3	▶	Y T-A 0:75	1	FACING
1	3650815M1	▶	A T-A 0:75	1	FACING
2	3009657X1			2	SCREW
2	3015082X1		N.8X16	2	SCREW
3	3559501M1			2	BUSH
4	3015356X1			2	SCREW
5	3557543M1			2	NAMEPLATE
6			E Y	1	ASHTRAY
7		⊕	P-42 13 1	1	PANEL
8		⊕	P-42 13 14	4	SCREW
9		⊕	P-42 13 16	1	SWITCH,IND
10			E Y	1	LIGHTER
11	3619180M3	⊕	D E T-A 0:25	1	BUTTON
12	3619446M1	⊕	D E T-A 0:25	1	SWITCH,IND
13	3557602M1		C F T-A 0:25	1	KNOB

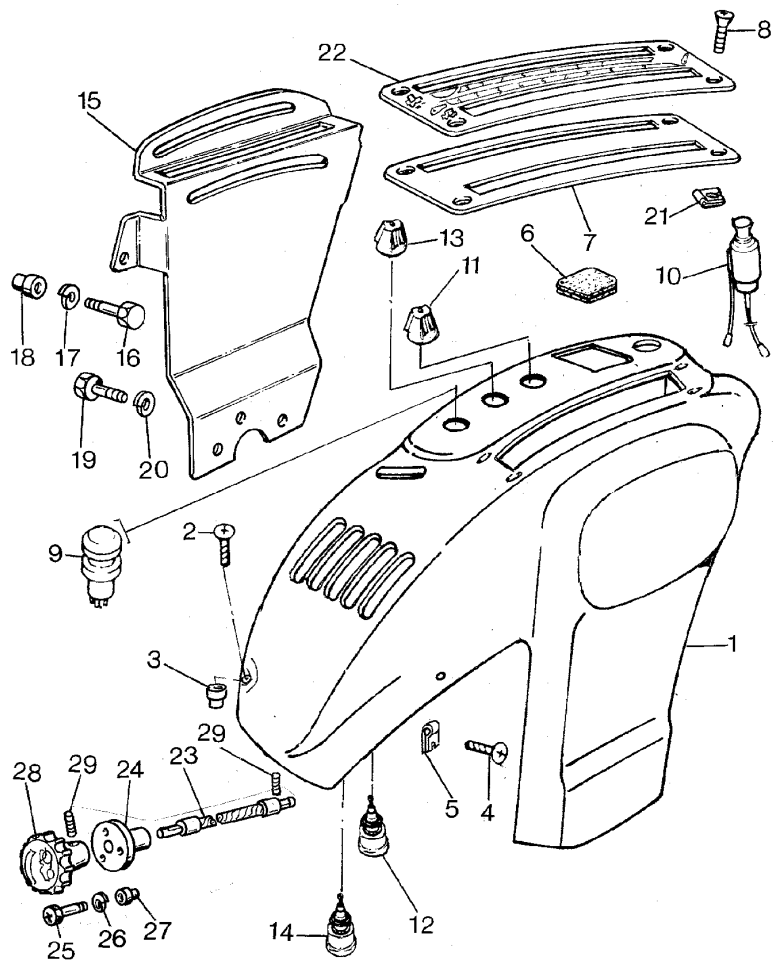
HYDRAULICS AND LINKAGE

P-42
20

MECHANISM CONTROL LIFT - DRAFT , POSITION AND INTERMIX - CONTROL PANEL

Globus 70

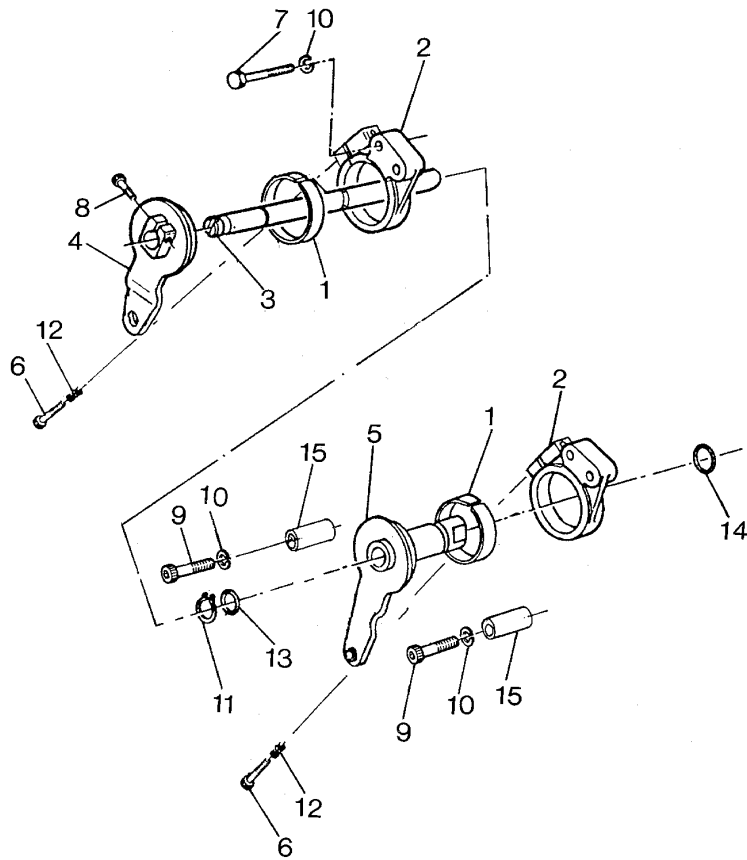
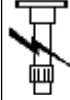
P4220



- | | | | | | |
|----|-----------|---|---------------|---|------------|
| 1 | 3558934M1 | ● | 3303721M1 (4) | 1 | FACING |
| | | ▶ | 3537798M1 (1) | | |
| | | | 3650815M1 (1) | | |
| | | | 3650816M1 (1) | | |
| | | | 3650836M1 (1) | | |
| | | | N.L.A. (1) | | |
| | | | Y | | |
| 1 | 3650816M1 | ▶ | A | 1 | FACING |
| | | | T-A 0:25 | | |
| 2 | 3009657X1 | | | 4 | SCREW |
| 2 | 3015082X1 | | N.8X16 | 2 | SCREW |
| 3 | 3556451M1 | | | 2 | BUSH |
| 3 | 3559501M1 | | | 4 | NAMEPLATE |
| 4 | 3015356X1 | | | 2 | SCREW |
| 5 | 3557543M1 | | | 2 | NAMEPLATE |
| 6 | | ◇ | U-47 10 7 | 1 | ASHTRAY |
| 7 | 3558562JA | ● | 3558562M1 (1) | 1 | SECTOR |
| | | | T-A 0:25 | | |
| 8 | 3015082X1 | | | 4 | SCREW |
| 9 | | ◇ | P-42 13 16 | 1 | SWITCH,IND |
| 10 | | ◇ | D-00 09 4 | 1 | LIGHTER |
| | | | Y | | |
| 11 | 3619180M3 | | D | 1 | BUTTON |
| | | | E | | |
| | | | T-A 0:25 | | |
| 12 | 3619446M1 | | D | 1 | SWITCH,IND |
| | | | E | | |
| | | | T-A 0:25 | | |

Globus 70

P4224



1	3541077M91		2	RING
2	3541078M91	T-A 1:0	2	HUB
3	3541079M1	T-A 1:0	1	SHAFT
4	3541080M1	T-A 5:25	1	LEVER
5	3541081M91	T-A 0:75	1	LEVER
		T-A 1:0		
6	3010375X1		2	SCREW
7	339291X1		1	SCREW
8	3010384X1		1	SCREW
9	3010386X1		2	SCREW
10	391037X1		4	LOCK WASHER
11	0170033		2	RING
12	3541093M1		2	SPRING
13	195562M1	A	2	RING
14	364784X1	A	2	O RING
15	3541082M1		1	SPACER
		T-A 1:0		
A	COMPONENT PARTS OF 3541020M91			
T-A	Replacement			

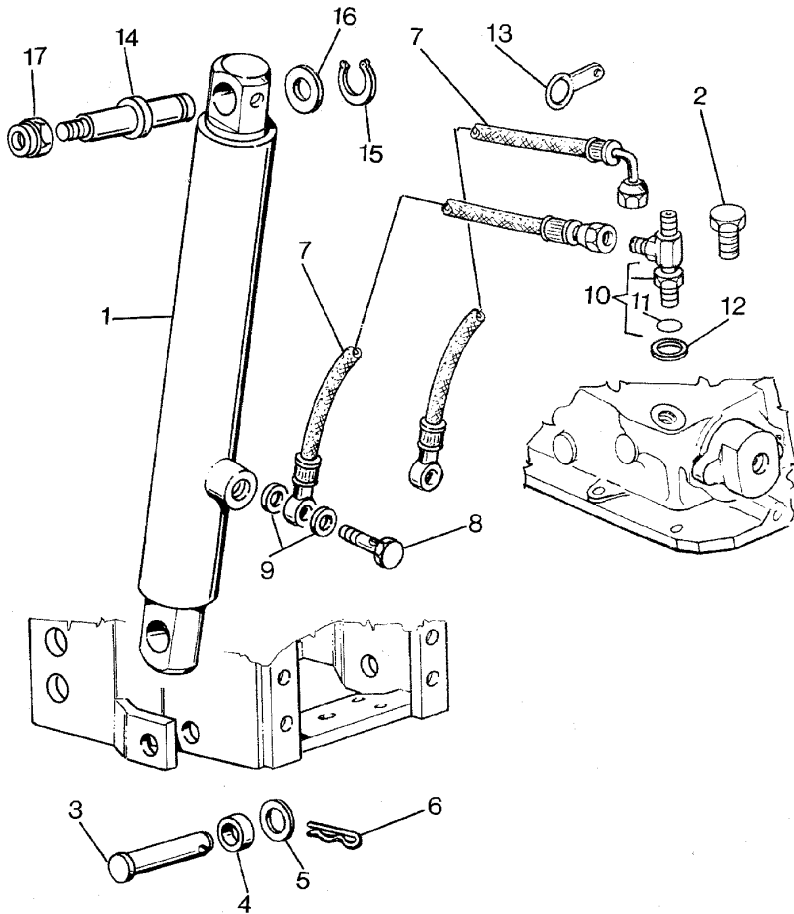
HYDRAULICS AND LINKAGE

P-42
30

REAR HYDRAULICS - LIFT RAMS

Globus 70

P4230



- | | | | |
|----|-------------------------|---|-----------|
| 1 | ◇ P-42 32 1
T-A 0:50 | 2 | CYLINDER |
| 2 | 3557815M91 A | 1 | PLUG |
| 3 | 3556733M2 | 2 | PIN |
| 4 | 3556734M1 | 2 | SPACER |
| 5 | 390975X1 | 2 | WASHER |
| 6 | 3000197X1 | 2 | LINCH PIN |
| 7 | 3558230M92 ◀ | 1 | PIPE |
| | T-A 0:25 | | |
| 7 | 3558231M92 ▶ | 1 | PIPE |
| | T-A 0:25 | | |
| 8 | 3537542M1 | 2 | FILLER |
| 9 | 3554592M1 | 4 | WASHER |
| | T-A 0:25 | | |
| 10 | 3557233M91 | 1 | UNION |
| | T-A 0:25 | | |
| 11 | 831497M1 ! 10 | 1 | RING |
| | T-A 0:25 | | |
| 11 | 831497M1 ! 2 | 1 | RING |
| | A | | |
| | T-A 0:25 | | |
| 12 | 3557234M91 | 1 | WASHER |
| | T-A 0:25 | | |
| 13 | 3557383M92 | 2 | RING |
| 14 | 3558646M2 | 2 | PIN |
| | T-A 0:25 | | |

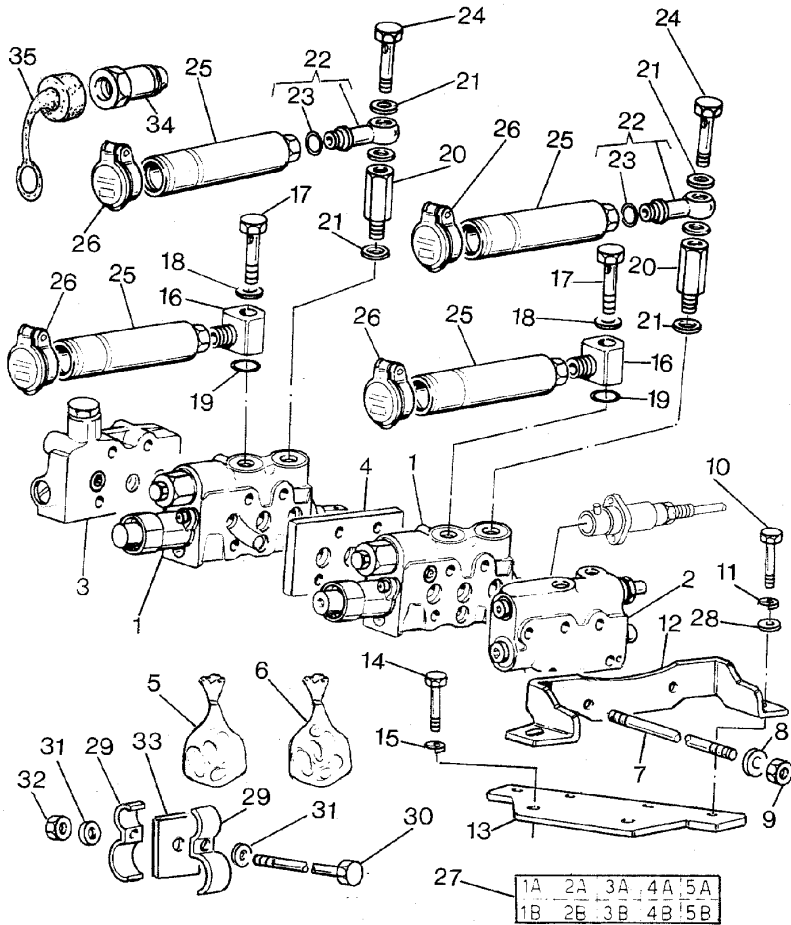
HYDRAULICS AND LINKAGE

P-42
34

AUXILIARY HYDRAULIC VALVE LINES - SALAMI TYPE

Globus 70

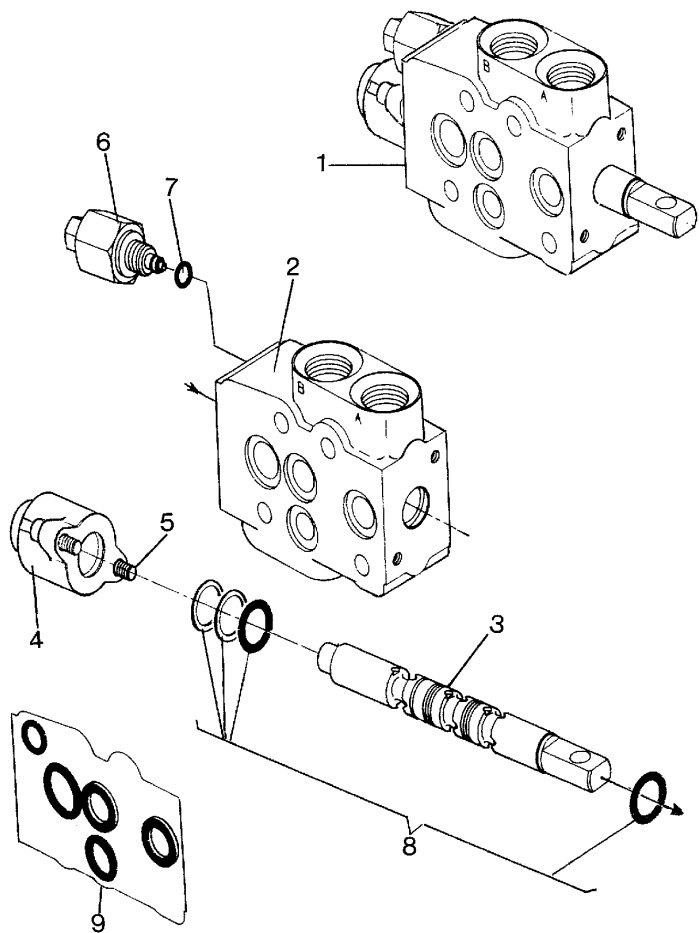
P4234



21	3554594M1	B	2	WASHER
		T-A 0:25		
21	3554594M1		4	WASHER
		T-A 0:25		
22	3551511M91		2	UNION
		T-A 0:25		
23	831497M1	!	2	RING
		22		
		T-A 0:25		
24	3553651M1		2	UNION
		T-A 0:25		
25	3551621M91		4	HITCH
		T-A 0:25		
26	3530933M91	●	4	PLUG
		3530933M92 (4)		
		T-A 0:25		
27	3532818M2	●	1	DECAL
		3532818M3 (1)		
28	390972X1		4	WASHER
29	3554150M1		2	STIRRUP
		T-A 0:25		
30	339013X1		1	SCREW
31	390972X1		2	WASHER
32	394367X1		1	NUT
33	3554151M1		1	SPACER
		T-A 0:25		

Globus 70

P4239



1	3551583M91		1	DISTRIBUTOR
		(X) 0.0.1.2		
		T-A 0:75		
2		!	1	BODY
		▣ REF.N.1		
3		!	1	ROD
		▣ REF.N.1		
4	3540322M91	!	1	CAP
		T-A 0:25		
5	3009273X1	!	1	SCREW
6	3540318M91	!	1	VALVE
		T-A 0:25		
7	1001833M1	!	6	O RING
8	3540319M91	!	1	KIT
		T-A 0:75		
9	3540321M91		1	KIT
		(X) 0.1.2.4		
		T-A 1:0		

! THIS IS A COMPONENT OF AN ASSEMBLY

▣ NOT SERVICED, ORDER

T-A Replacement

(X) QTY PER TRACTORS SOLD (AA.BBB.CCC.DDD) (AA) FOR 1,(BBB) 2-10 (CCC) 11-25 (DDD) 26-50

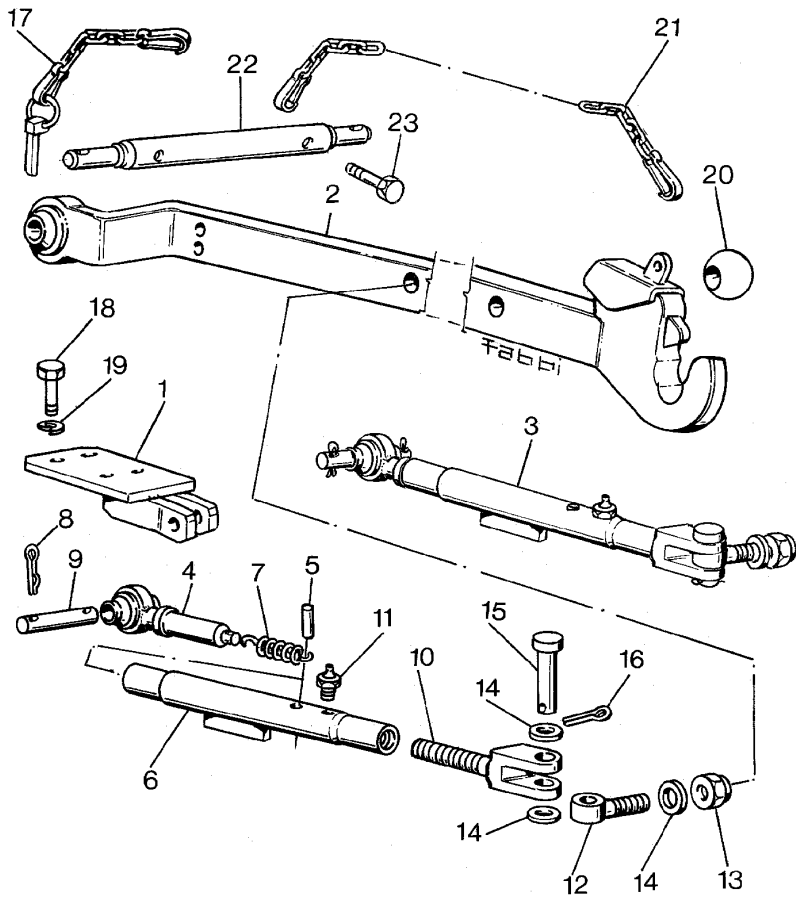
HYDRAULICS AND LINKAGE

P-42
47

LINKAGE - "STRUT AND LINKAGE" - QUICK ATTACH

Globus 70

P4247



9	355774M1	!	3	1	PIN
10	355772M1	!	3	1	YOKE
			(X) 0.2.4.8		
			T-A 0:25		
11	1441858X1	!	3	1	GREASER
12	3538877M1	!	3	1	PIN
13	1441566X1	!	3	1	NUT
14	390975X1	!	3	2	WASHER
15	3307057M1	!	3	1	PIN
16	974303M1	!	3	2	SPRING
17			C	2	PIN
18	391934X1			8	SCREW
19	1440315X1			8	LOCK WASHER
20	3557302M1		B	2	TOGGLE
			T-A 0:25		
20	3557303M1		C	2	TOGGLE
			T-A 0:25		
21			C	1	CABLE
22	3558237M1			1	PIN
			T-A 0:50		
23	391375X1			2	SCREW

! THIS IS A COMPONENT OF AN ASSEMBLY

◊ SEE PAGE - REFERENCE NUMBER

A FOR DETAIL SEE PAGE APPROPRIATE

B FOR CAT I'A

C CATEGORY II.A

C TO BE ADVISED

◀ LEFT HAND

▶ RIGHT HAND

T-A Replacement

(X) QTY PER TRACTORS SOLD (AA.BBB.CCC.DDD) (AA) FOR 1,(BBB) 2-10 (CCC) 11-25 (DDD) 26-50

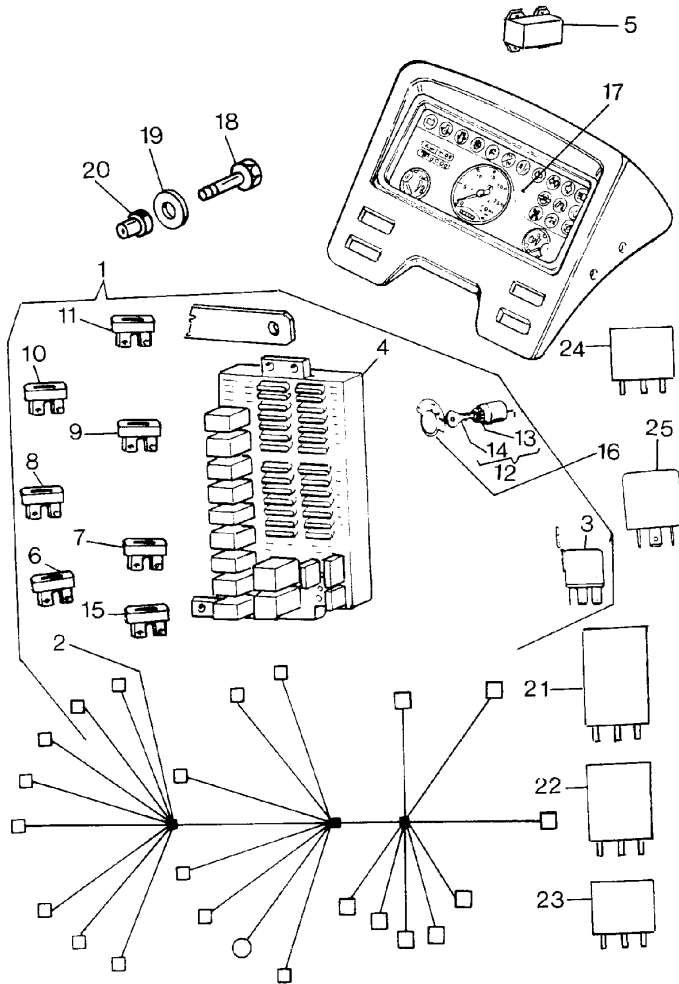
LIGHTING EQUIPMENT

D-00
02

ELECTRONIC HARNESS - INSTRUMENT PANEL - FOR TRACTOR "TOP" VERSION

Globus 70

D0002



- | | | | | | |
|---|------------|---|----------------|---|------------|
| 1 | 3559687M91 | ⊙ | 3650604M91 (1) | 1 | HARNESS |
| | | ⊙ | | | |
| | | | A | | |
| | | | Y | | |
| | | | T-A 0:25 | | |
| 1 | 3559688M91 | ⊙ | | 1 | HARNESS |
| | | | D | | |
| | | | T-A 0:25 | | |
| 1 | 3559689M91 | ⊙ | 3650604M91 (1) | 1 | HARNESS |
| | | ⊙ | | | |
| | | | Y | | |
| | | | T-A 0:25 | | |
| 1 | 3559900M92 | ⊙ | 3650604M91 (1) | 1 | HARNESS |
| | | ⊙ | | | |
| | | | Y | | |
| | | | T-A 0:25 | | |
| 1 | 3647136M92 | ⊙ | 3650604M91 (1) | 1 | HARNESS |
| | | ⊙ | | | |
| | | | D | | |
| | | | T-A 0:25 | | |
| 2 | | ! | 1 | 1 | CABLE |
| | | ⊙ | REF.N.1 | | |
| 3 | 3548190M91 | ! | 1 | 1 | SWITCH,IND |
| | | | Y | | |
| 3 | 3554832M91 | ! | 1 | 9 | SWITCH,IND |
| | | | Y | | |
| | | | T-A 0:25 | | |
| 3 | 3554832M91 | ! | 1 | 8 | SWITCH,IND |
| | | | A | | |
| | | | T-A 0:25 | | |

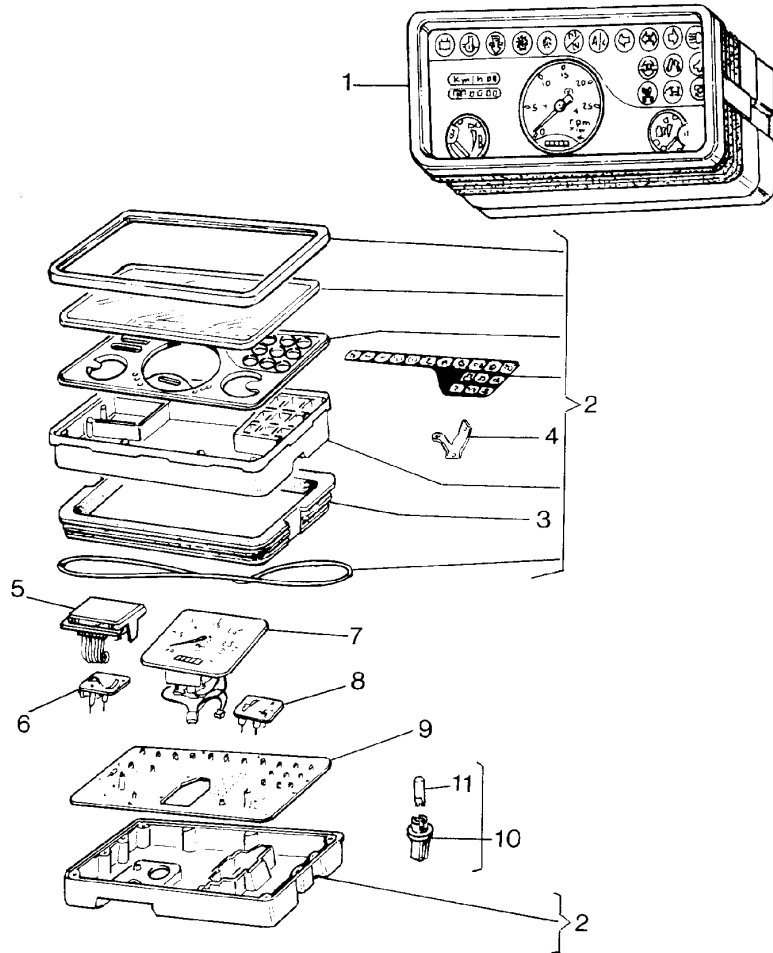
LIGHTING EQUIPMENT

D-00
04

INSTRUMENT PANEL - EQUIPMENT INSTRUMENT PANEL - WITH DIGITAL INSTRUMENT

Globus 70

D0004



- | | | | | |
|----|--------------|-----------------|----|------------|
| 1 | 3557867M93 ● | 3557867M94 (1) | 1 | INSTRUMENT |
| | | T-A 1:0 | | |
| 2 | 3541995M91 ! | 1 | 1 | BOX |
| | | T-A 0:50 | | |
| 3 | 3311403M1 ! | 2 | 1 | GASKET |
| | | T-A 0:50 | | |
| 4 | 3311409M1 ! | 2 | 1 | SPRING |
| | | ▲ | | |
| 4 | 3311475M1 ! | 2 | 1 | SPRING |
| | | ▼ | | |
| 5 | 3541214M91 ! | 1 | 1 | PRINTED CI |
| | | (X) 0.1.2.4 | | |
| | | T-A 0:75 | | |
| 6 | 3541212M91 ! | 1 | 1 | INDICATOR |
| | | (X) 0.1.2.4 | | |
| | | T-A 0:75 | | |
| 7 | 3541996M91 ! | 1 | 1 | INSTRUMENT |
| | | (X) 0.1.2.4 | | |
| 8 | 3541211M91 ! | 1 | 1 | INDICATOR |
| | | (X) 0.1.2.4 | | |
| | | T-A 0:75 | | |
| 9 | 3541215M91 ! | 1 | 1 | PRINTED CI |
| | | (X) 0.0.1.2 | | |
| | | T-A 0:50 | | |
| 10 | 3311402M91 ● | 3541333M91 (19) | 19 | SOCKET |
| | | ! | 1 | |
| | | (X) 0.1.2.4 | | |
| | | T-A 0:25 | | |

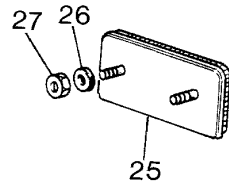
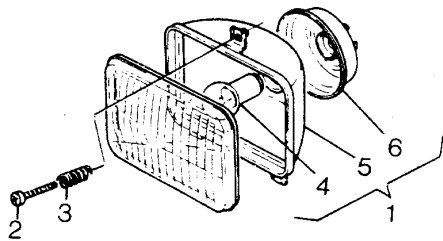
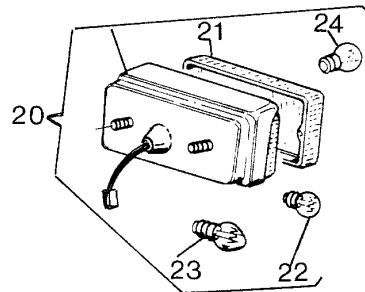
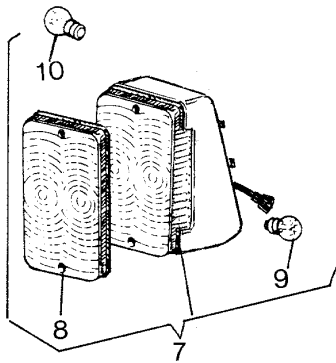
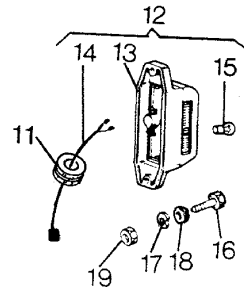
LIGHTING EQUIPMENT

D-00
09

LIGHTING EQUIPMENT - WITH CAB

Globus 70

D0009



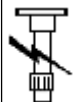
- | | | | | | |
|---|------------|---|----------------|---|--------|
| 1 | 3542816M91 | ● | 3550746M91 (4) | 2 | LIGHT |
| | | Y | C | | |
| | | | (X) 0.1.2.4 | | |
| | | | T-A 0:25 | | |
| 1 | 3542817M91 | ● | 3550747M91 (4) | 2 | LIGHT |
| | | Y | C | | |
| | | | C | | |
| | | | T-A 0:25 | | |
| 1 | 3550746M91 | Y | | 2 | LIGHT |
| | | | D | | |
| | | | (X) 0.1.2.4 | | |
| | | | T-A 0:25 | | |
| 1 | 3550747M91 | Y | | 2 | LIGHT |
| | | | C | | |
| | | | D | | |
| | | | (X) 0.1.2.4 | | |
| | | | T-A 0:25 | | |
| 2 | 3015308X1 | ◄ | | 2 | SCREW |
| | | | 50MM | | |
| 2 | 3015327X1 | ◄ | | 2 | SCREW |
| | | | 60 MM | | |
| 2 | 3015327X1 | ◄ | | 4 | SCREW |
| | | | 60MM | | |
| 3 | 1860174M1 | | | 6 | SPRING |
| 4 | 1426618M1 | ! | 1 | 1 | BULB |
| | | | A | | |
| | | | (X) 0.2.4.8 | | |
| | | | T-A 0:25 | | |
| 4 | 965465M1 | ● | 1426618M1 (2) | 1 | BULB |
| | | ! | 1 | | |
| | | | B | | |
| | | | (X) 0.2.4.8 | | |
| | | | T-A 0:25 | | |

REAR AXLE AND REAR BRAKES

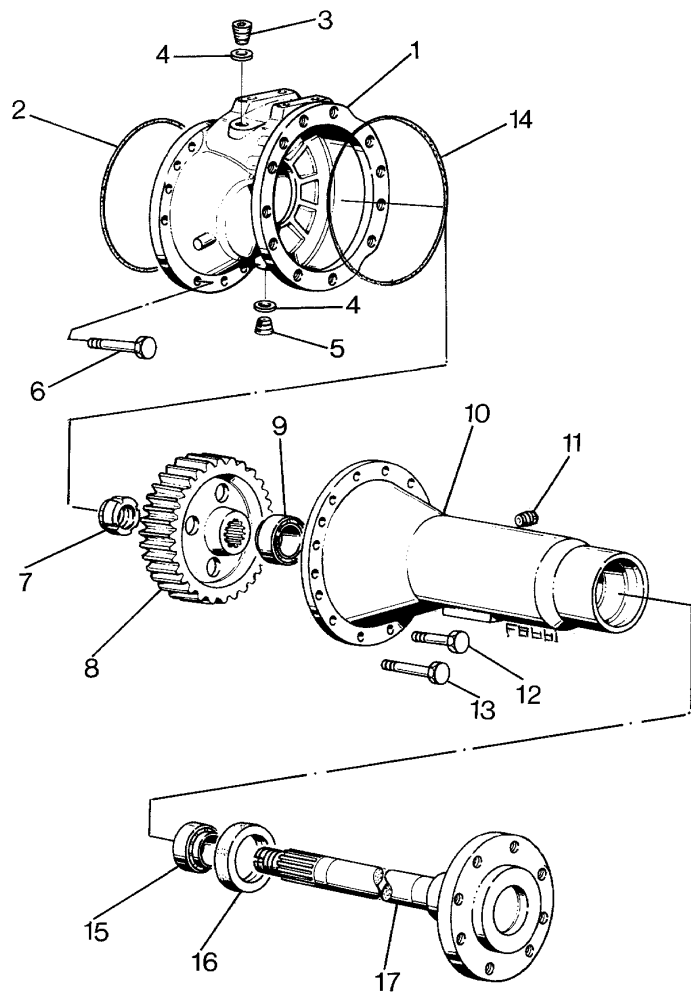
G-40
02

REAR AXLE - HOUSING AND WHEEL HUB

Globus 70



G4002



- | | | | | |
|----|-----------|----------|---|------|
| 16 | 3019954X1 | | 2 | SEAL |
| | | T-A 1:75 | | |
| 17 | 3552967M2 | | 2 | HUB |
| | | T-A 1:75 | | |



LEFT HAND



RIGHT HAND

T-A

Replacement



NUMBER OF TEETH/SPLINES

QTY PER TRACTORS SOLD (AA.BBB.CCC.DDD) (AA) FOR
1,(BBB) 2-10 (CCC) 11-25 (DDD) 26-50

REAR AXLE AND REAR BRAKES

**G-40
085**

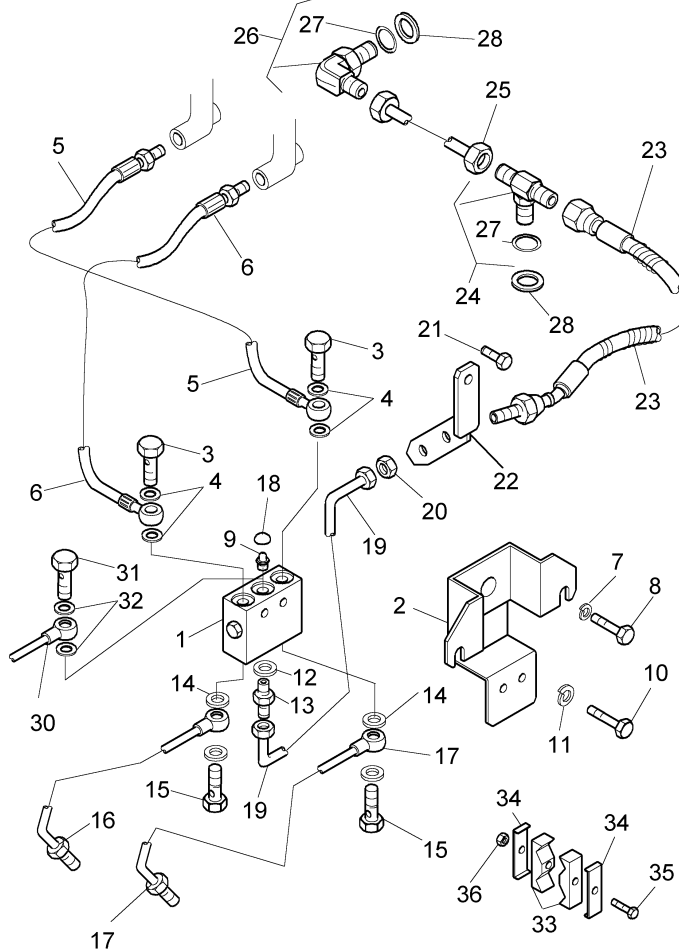
REAR AND FRONT BRAKES - PIPINGS

Globus 70

G40085



4-AG56-002-B



- 34 733869M1
- 35 391883X1
- 36 390995X1

- 2 RETAINER
- 1 BOLT
- 1 NUT

! THIS IS A COMPONENT OF AN ASSEMBLY
 A WITH HYDRAULIQUE TRAILER BRAKING SYSTEM "ITALIA"
 B WITHOUT HYDRAULIQUE TRAILER BRAKING SYSTEM
 ◀ LEFT HAND
 ▶ RIGHT HAND
 T-A Replacement

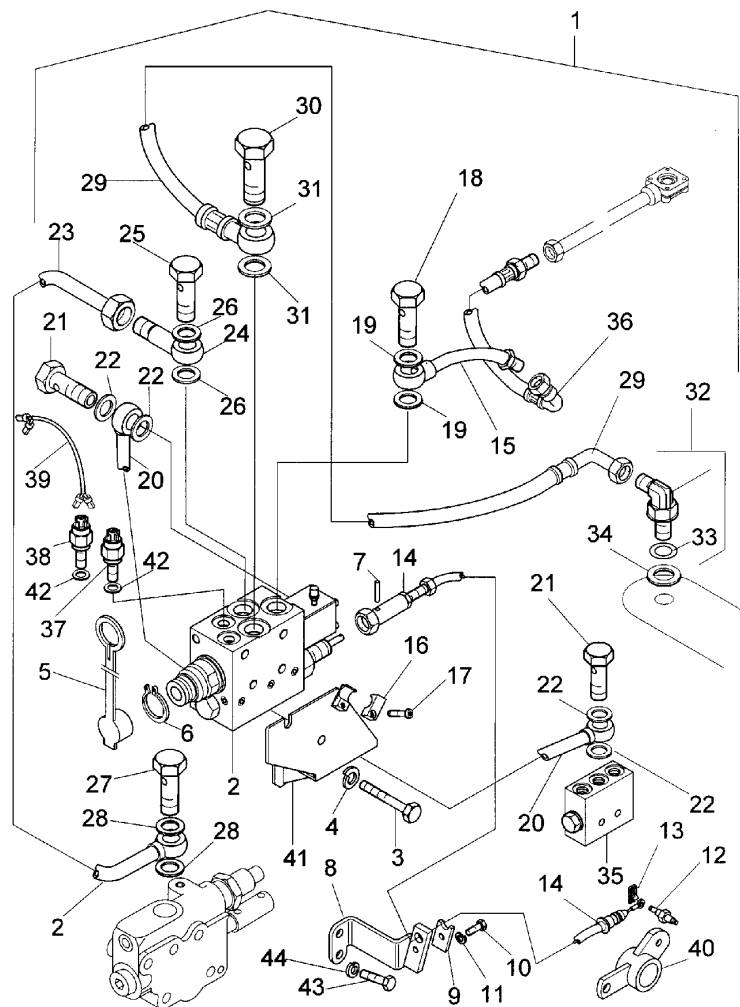
REAR AXLE AND REAR BRAKES

G-40
13

KIT TRAILER BRAKES - PIPES AND FITTINGS - ITALY TYPE

Globus 70

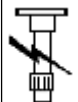
G4013



15	3559574M91		1	PIPE
		T-A 0:25		
16	3549986M1		1	STIRRUP
17	395579X1		1	SCREW
18	394200X1		1	UNION
		T-A 0:75		
19	3554595M1		2	WASHER
		T-A 0:75		
20	3559584M91		1	PIPE
		T-A 0:75		
21	394209X1		2	UNION
		T-A 0:75		
22	1440993X1	● 1444744X1 (4)	4	GASKET
		T-A 0:75		
23	3559572M92	● 3559572M93 (1)	1	PIPE
		T-A 0:50		
24	3559577M1		1	UNION
		T-A 0:50		
25	394200X1		1	UNION
		T-A 0:50		
26	3554595M1		2	WASHER
		T-A 0:50		

REAR AXLE AND REAR BRAKES

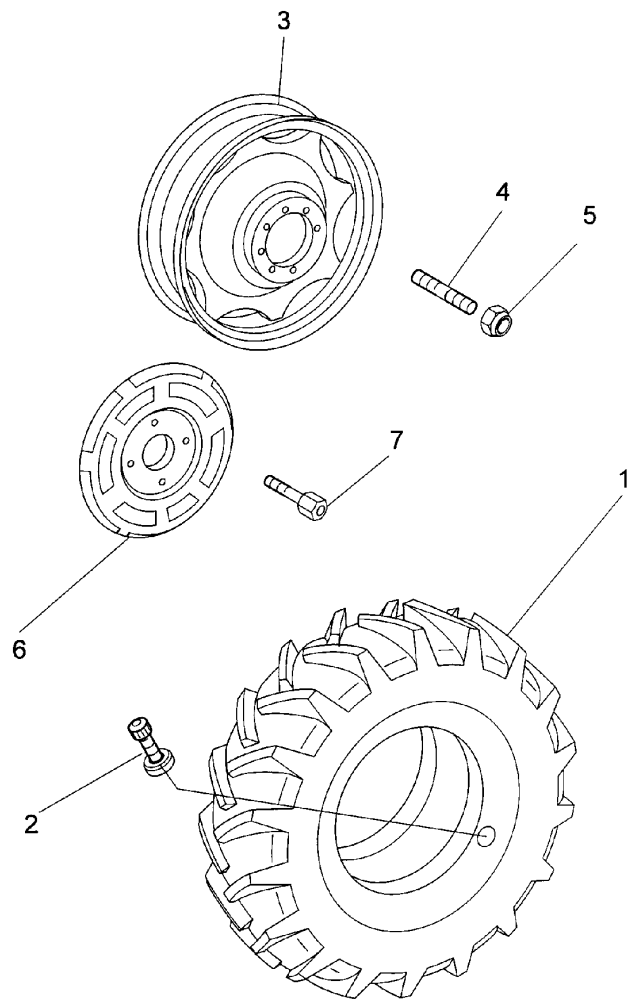
G-40
16



G4016

Globus 70

REAR WHEELS - HOOPS AND TYRES



1	3307479M1	16.9 R24 T-A 1:25	2	TYRE AND TUBE
1	3532692M1	420/70 R28 T-A 1:25	2	TYRE AND TUBE
1	3533780M1	380/70 R28 T-A 1:25	2	TYRE AND TUBE
1	3534565M1	420/70 R24 T-A 1:25	2	TYRE AND TUBE
1	3547479M1	480/70 R24 T-A 1:25	2	TYRE AND TUBE
1	3552340M1	480/65 R28 T-A 1:25	2	TYRE AND TUBE
1	3553056M1	● 480/65 R24 T-A 1:25	2	TYRE AND TUBE
1	3554197M1	14.9 R28 T-A 1:25	2	TYRE AND TUBE
1	3554201M1	13.6 R28 T-A 1:25	2	TYRE
1	3649873M1	21.5L-16.1 T-A 1:25	2	TYRE AND TUBE
2	3551564M91	T-A 1:25	2	VALVE

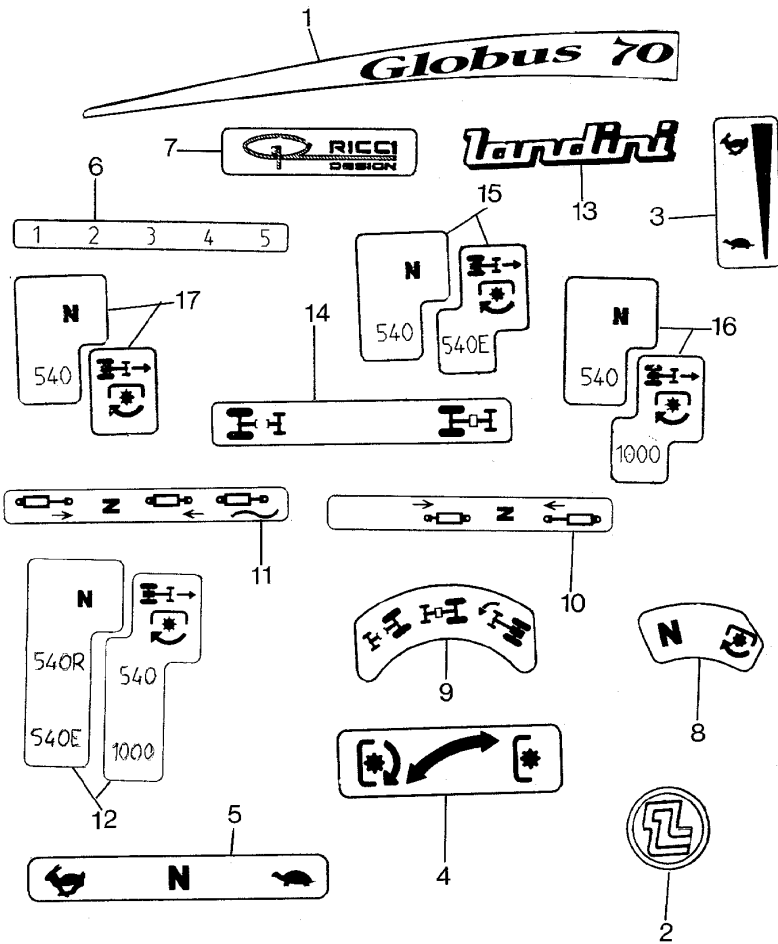
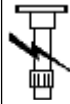
SHEET METAL

R-20
03

DECALS

Globus 70

R2003



17 3647049M1 ● N.L.A. (1) 1 DECAL

18 3649496M1 ● 3652417M1 (2) 2 DECAL

- C T-A 0:25
- C FOR TRACTOR "TOP" VERSION
- C "SHERPA" MODEL
- D FOR TRACTOR DESP. "TECHNO" VERSION
- ◀ LEFT HAND
- ▶ RIGHT HAND
- T-A Replacement

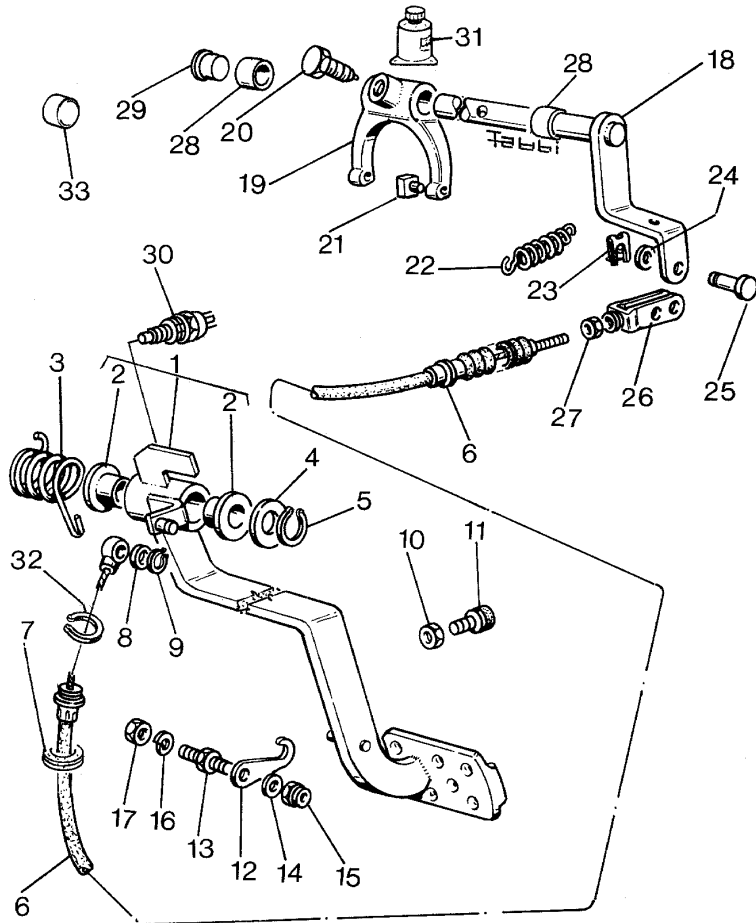
TRANSMISSION

E-04
02

CLUTCH PEDAL AND LINKAGE

Globus 70

E0402



- | | | | | |
|----|------------|------------------|---|-----------|
| 1 | 3648458M92 | | 1 | PEDAL |
| 2 | 3547079M1 | ! 1 | 2 | BUSH |
| | | T-A 0:75 | | |
| 3 | 3647429M1 | | 1 | SPRING |
| | | T-A 0:25 | | |
| 4 | 3015439X1 | | 1 | WASHER |
| 5 | 1440475X1 | | 1 | RING |
| 6 | 3647208M92 | ● 3647208M93 (1) | 1 | CABLE |
| | | A | | |
| | | A | | |
| | | A | | |
| | | (X) 0.1.2.4 | | |
| | | T-A 0:50 | | |
| 6 | 3650397M91 | B | 1 | CABLE |
| | | T-A 0:50 | | |
| 7 | 3557175M1 | ! 6 | 1 | CHOCK |
| 8 | 390972X1 | | 1 | WASHER |
| 9 | 1440522X1 | | 1 | RING |
| 10 | 390332X1 | | 1 | NUT |
| 11 | 3300178M93 | | 1 | PAD |
| 12 | 3556472M1 | | 1 | NAMEPLATE |
| | | T-A 0:25 | | |
| 13 | 3557301M1 | | 1 | STUD |
| | | T-A 0:25 | | |
| 14 | 390971X1 | | 1 | WASHER |
| | | T-A 0:25 | | |

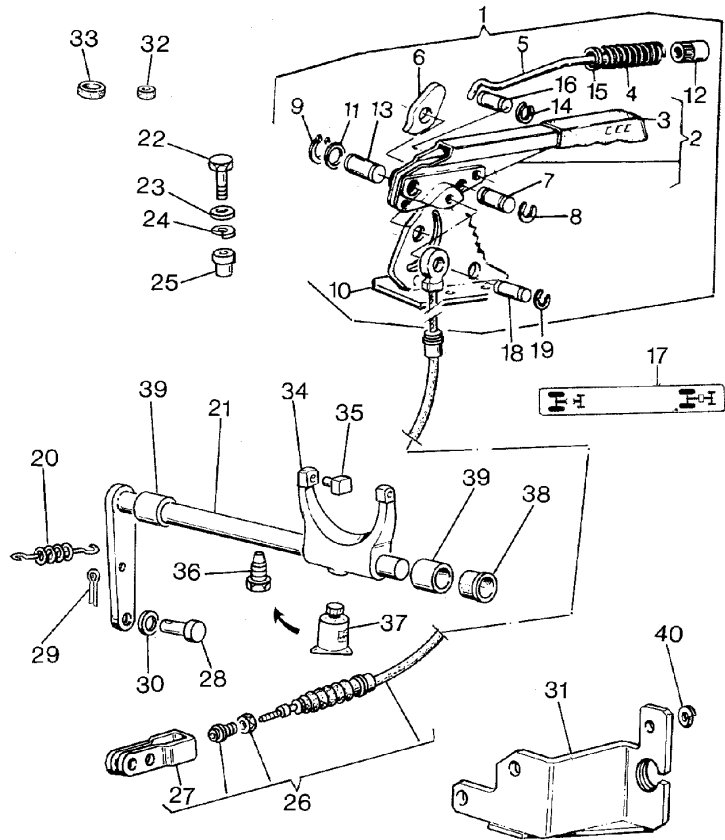
TRANSMISSION

E-04
055

LOWER CLUTCH P.T.O.

Globus 70

E04055



- | | | | | |
|-----|---|-------------------|-----|-------------|
| 36 | 393588X1 | | 1 | SCREW |
| 37 | 1427801M1 | ● 1427801M2 (999) | 999 | LOCTITE |
| 38 | 3558865M1 | | 2 | PLUG |
| | | T-A 0:25 | | |
| 39 | 3558654M1 | | 4 | BUSH |
| | | T-A 5:25 | | |
| 40 | 339369X1 | | 2 | LOCK WASHER |
| ! | THIS IS A COMPONENT OF AN ASSEMBLY | | | |
| F | USED ONLY WITH P.T.O. HYDRAULIC | | | |
| T-A | Replacement | | | |
| (X) | QTY PER TRACTORS SOLD (AA.BBB.CCC.DDD) (AA) FOR
1,(BBB) 2-10 (CCC) 11-25 (DDD) 26-50 | | | |

TRANSMISSION

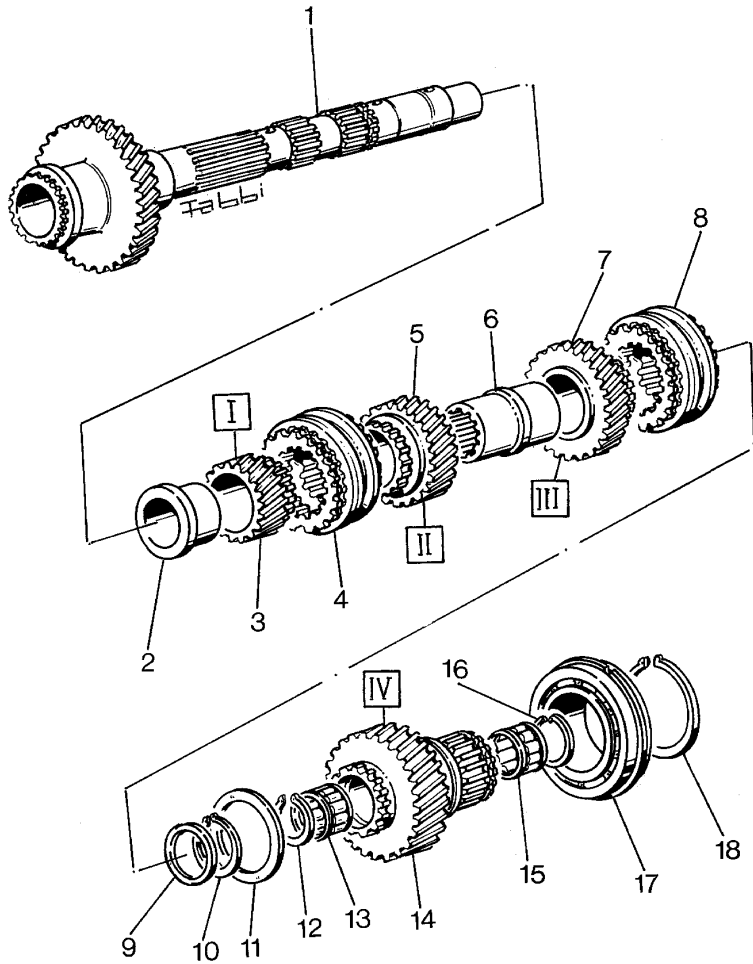
E-04
12

TRANSMISSION - GEAR TRAIN

Globus 70



E0412



1	3557357M1	●	3557357M3 (1)	1	SHAFT
		◊	E-04 10 11		
			T-A 16:50		
2	3537371M2		T-A 16:50	1	BUSH
3	3537300M2	▲	30	1	GEAR
			I.A		
			T-A 16:50		
4	3554239M91	◊	E-04 15 1	1	SYNCHRO
			T-A 16:50		GEAR
5	3537301M2	▲	36	1	GEAR
			II.A		
			T-A 16:50		
6	3537374M2		T-A 16:50	1	BUSH
7	3537302M2	▲	43	1	GEAR
			III.A		
			T-A 16:50		
8	3554239M91	◊	E-04 15 1	1	SYNCHRO
			T-A 16:50		GEAR
9	3537376M1	⚡	2,985MM	999	SHIM
			T-A 16:50		
9	3537377M1	⚡	3,10MM	999	SHIM
			T-A 16:50		

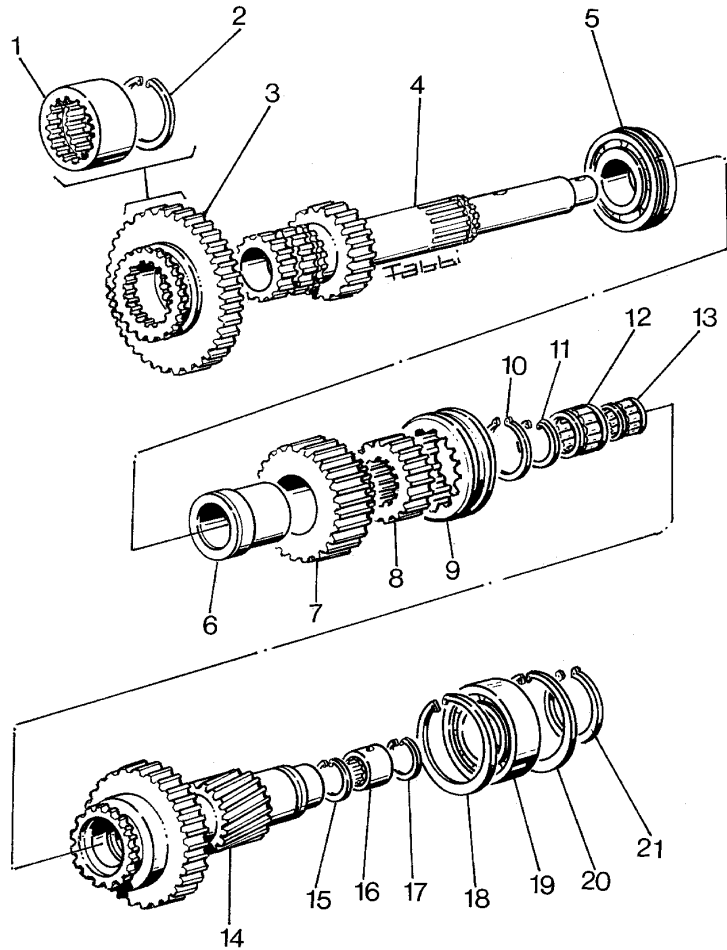
TRANSMISSION

E-04
17

TRANSMISSION - GEAR TRAIN

Globus 70

E0417



1	3537054M1	A	1	SLEEVE
		T-A 11:0		
2	1441786X1	A	1	RING
		T-A 11:0		
3	3554918M1	66	1	GEAR
		T-A 11:0		
4	3537308M1	33	1	GEAR
		T-A 11:25		
5	395568X1		1	BEARING
		T-A 11:25		
6	3537390M2		1	BUSH
		T-A 11:25		
7	3537311M1		1	GEAR
		T-A 11:25		
8	3537062M1		1	HUB
		T-A 11:25		
9	3537063M1		1	SLEEVE
		T-A 11:25		
10	392759X1	339820X1 (1)	1	RING
		T-A 11:25		
11	1441924X1		1	RING
		T-A 11:25		

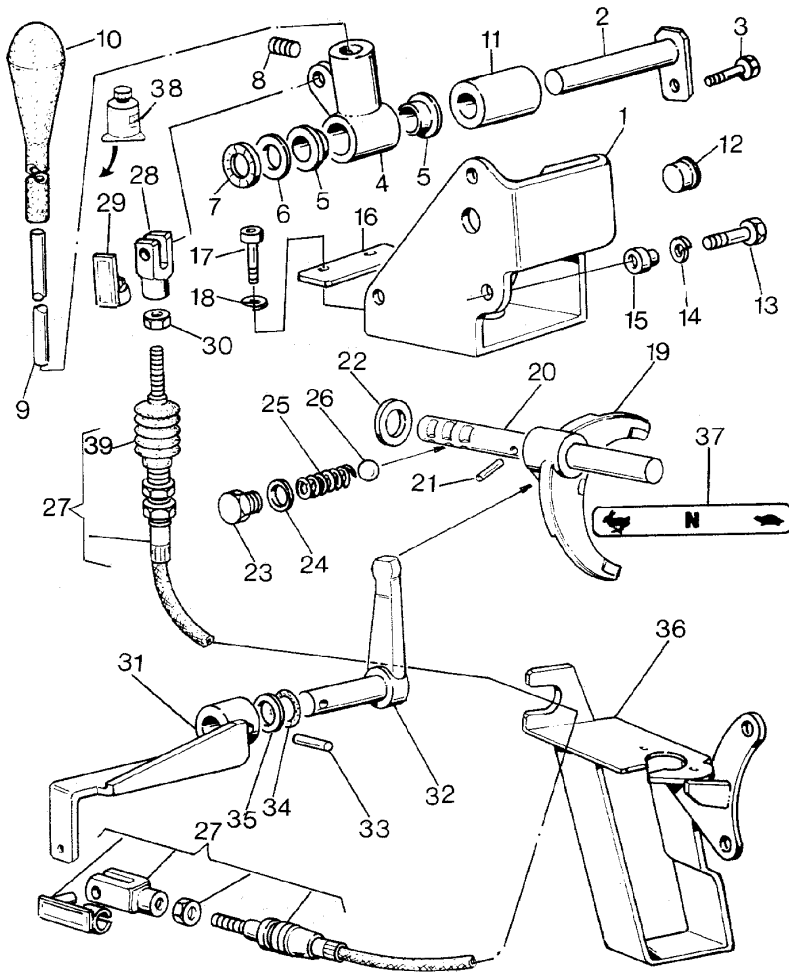
TRANSMISSION

E-04
22

CREEPER GEARBOX CONTROL

Globus 70

E0422



20	3554497M2		1	ROD
		T-A 7:25		
21	1441736X1		1	DOWEL
22	3537359M1		1	SPACER
23	392798X1		1	PLUG
24	1440700X1		1	GASKET
25	3305061M1		1	SPRING
		T-A 0:25		
26	361031X1		1	BALL
		T-A 0:25		
27	3553774M95		1	CABLE
		T-A 0:50		
28	392463X1		1	YOKE
29	3307701M91		1	RETAINER
30	339030X1	● 1441500X1 (1)	1	NUT
31	3557812M91		1	LEVER
		T-A 0:25		
32	3537218M1		1	LEVER
		T-A 7:25		
33	1441738X1		1	DOWEL
34	3019915X1		1	O RING
		T-A 7:25		
35	3557133M1		1	SPACER
		T-A 7:25		
36	3557811M93		1	SUPPORT
		T-A 0:50		

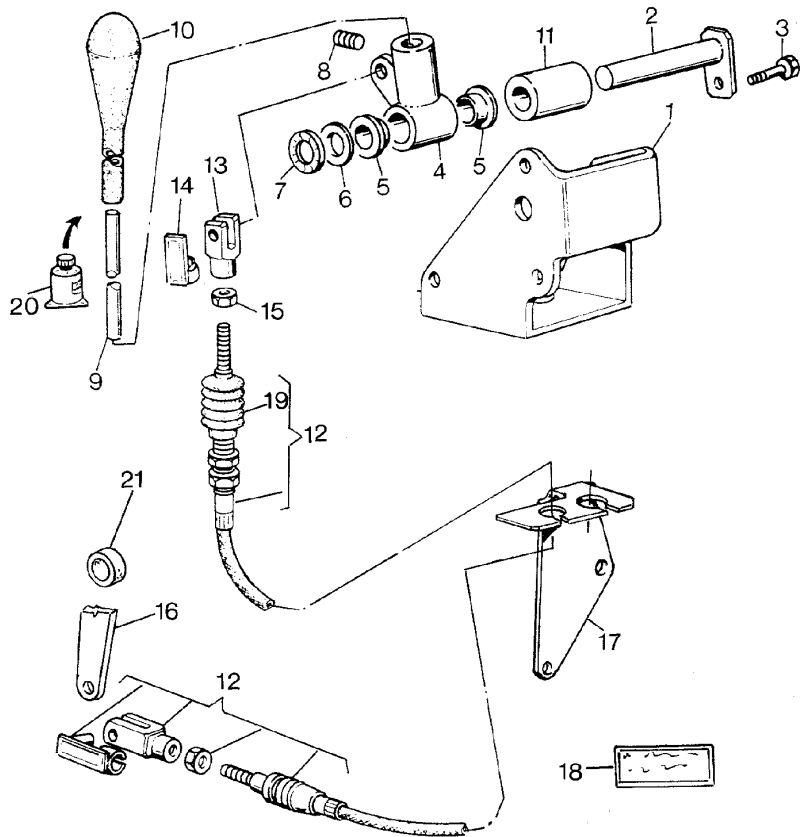
TRANSMISSION

E-04
27

DRIVE SHAFT - 4 WHEEL DRIVE

Globus 70

E0427



16	◇ E-04 31 15	1 LEVER
17	3554847M3 D	1 SUPPORT
	T-A 0:25	
18	3559578M1	1 DECAL
19	3559617M1 ! 12	1 BELLOWS
	T-A 0:50	
20	1427801M1 ● 1427801M2 (1)	1 LOCTITE
21	391563X1 A	1 PLUG

! THIS IS A COMPONENT OF AN ASSEMBLY
 ◇ SEE PAGE - REFERENCE NUMBER
 A WIYH-HIDRAULIC TRANSMISSION "DT"
 C USED WITH CREEPER GEARBOX CONTROL
 D USED WITH HANDBRAKE CONTROL
 T-A Replacement

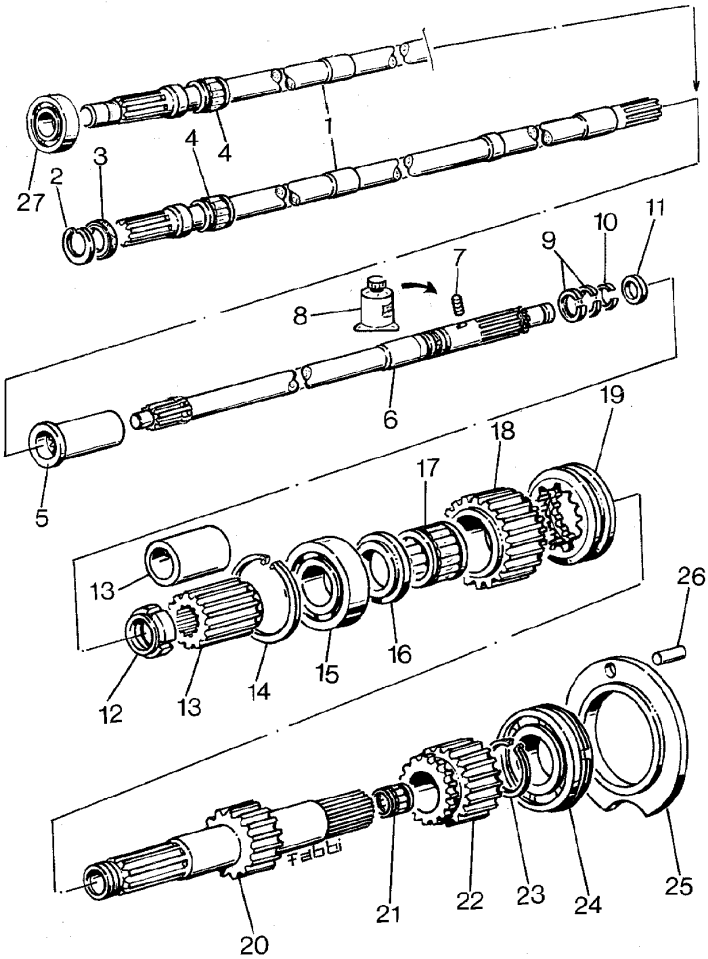
TRANSMISSION

E-04
32

POWER TAKE OFF DRIVE MECHANISM - INDEPENDANT

Globus 70

E0432



1	3554586M2	A	1	SHAFT
		B		
		T-A 9:50		
1	3554587M1	D	1	SHAFT
		F		
		T-A 9:50		
2	3000718X1		1	RING
3	3558573M1		1	RING
		T-A 9:50		
4	3015319X1		1	CAGE
		(X) 0.1.2.4		
		T-A 9:50		
5	3537396M1		1	SLEEVE
		T-A 10:25		
6	3552978M1	● 3552978M2 (1)	1	SHAFT
		F		
		T-A 9:50		
7	3549514M1	F	1	SCREW
8	1427801M1	● 1427801M2 (1)	1	LOCTITE
		F		
9	3552976M1		2	RING
		T-A 9:50		
10	3539902M1	● 3539902M3 (1)	1	RING
		F		
		T-A 9:50		
11	3552977M1		1	WASHER
		T-A 9:50		

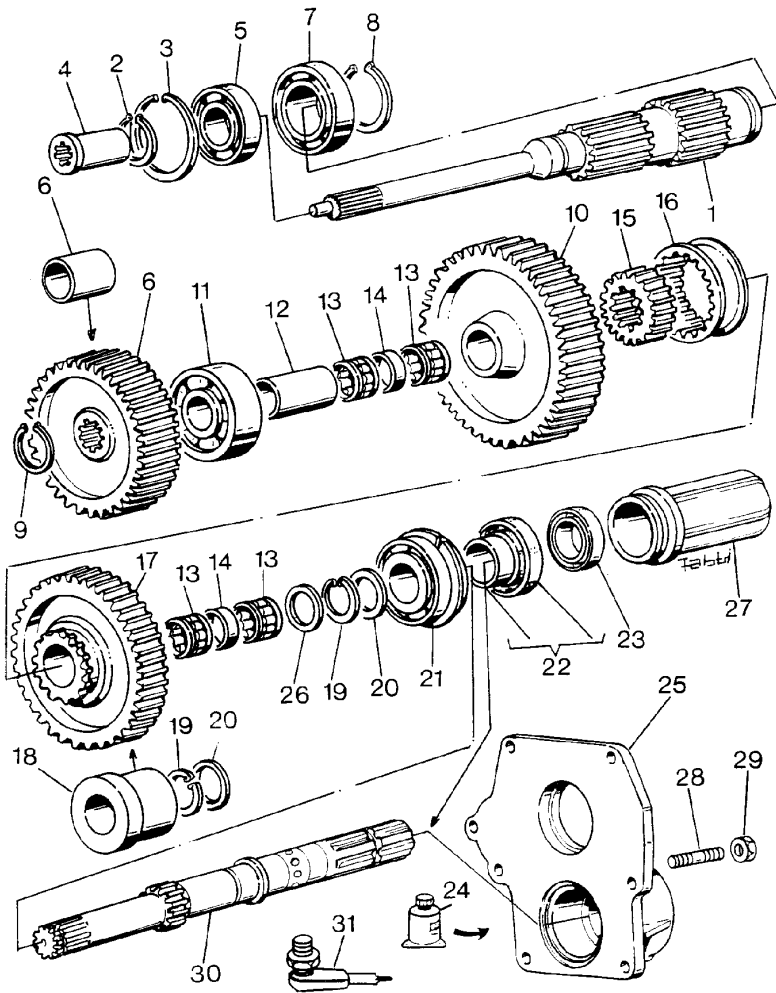
TRANSMISSION

E-04
36

POWER TAKE OFF DRIVE MECHANISM - INDEPENDANT

Globus 70

E0436



1	3555945M1	B	1	SHAFT
		T-A 10:25		
1	3557492M1	E	1	SHAFT
		T-A 10:25		
2	339469X1		1	RING
		T-A 10:25		
3	1440480X1		1	RING
		T-A 10:25		
4	3537396M1		1	SLEEVE
		T-A 10:25		
5	3015236X1		1	BEARING
		T-A 10:25		
6	3554451M1	B	1	SPACER
		T-A 10:25		
6	3554492M1	B	1	GEAR
		C		
		E		
		T-A 10:25		
7	1440570X1		1	BEARING
		T-A 10:25		
8	1440478X1		1	RING
9	3006701X1		1	RING
10	3554450M1	B	1	GEAR
		E		
		F		
		T-A 10:25		

CLICK HERE TO **DOWNLOAD** THE COMPLETE MANUAL

- Thank you very much for reading the preview of the manual.
- You can download the complete manual from: www.heydownloads.com by clicking the link below



- Please note: If there is no response to CLICKING the link, please download this PDF first and then click on it.

CLICK HERE TO **DOWNLOAD** THE COMPLETE MANUAL