

ACCESSORIES MECHANICAL

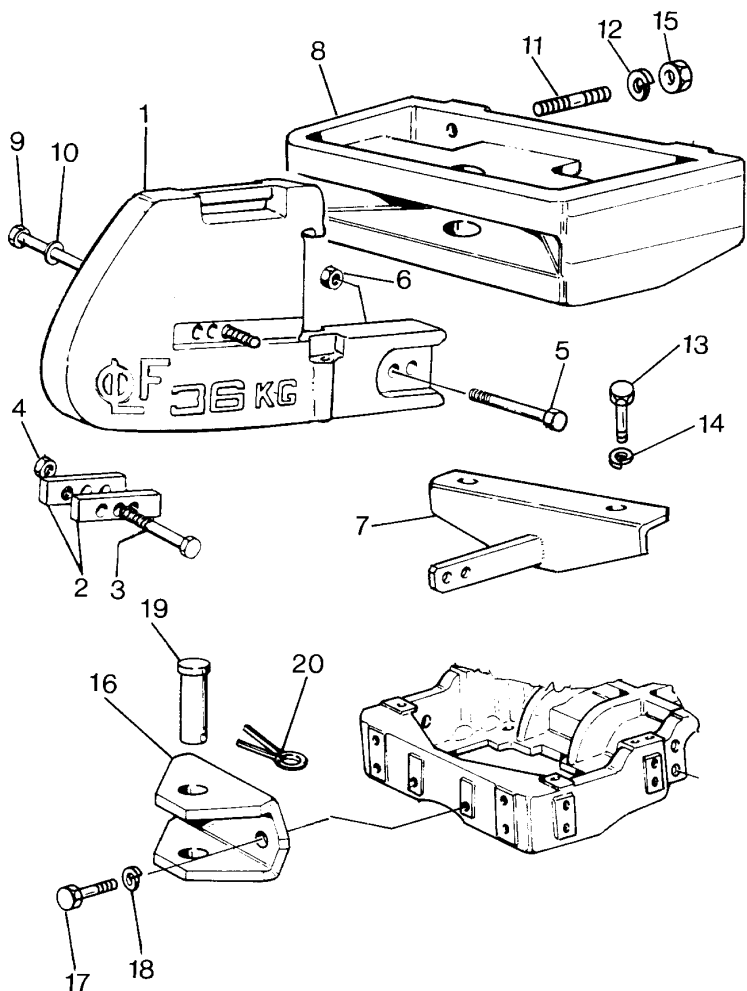
**X-48  
01**

WEIGHT FRAME AND WEIGHTS - FRONT HOOK - UP TO SERIAL N. ...

Globus 60



X4801



1	3545835M2		6	BALLAST WE
2	1426054M1	T-A 0:25	2	PLATE
3	339616X1	T-A 0:25	1	BOLT
4	392368X1	T-A 0:25	1	NUT
5	339805X1		2	SCREW
6	339034X1		2	NUT
7	3555726M92	● 3555726M93 (1)	1	SUPPORT
		T-A 0:25		
8	3555734M1	● 3555734M2 (1)	1	SUPPORT
		T-A 0:50		
9	1441804X1		2	SCREW
10	1441664X1		2	LOCK WASHER
11	973097M1		4	STUD
12	391414X1		4	LOCK WASHER
13	3015263X1		2	SCREW
14	1440316X1		2	LOCK WASHER
15	339034X1		4	NUT
16	3542334M1		1	HOOK
		T-A 0:25		
17	391881X1		2	BOLT
18	1440317X1		2	LOCK WASHER

CLICK HERE TO **DOWNLOAD** THE COMPLETE MANUAL

- Thank you very much for reading the preview of the manual.
- You can download the complete manual from: [www.heydownloads.com](http://www.heydownloads.com) by clicking the link below



- Please note: If there is no response to CLICKING the link, please download this PDF first and then click on it.

CLICK HERE TO **DOWNLOAD** THE COMPLETE MANUAL

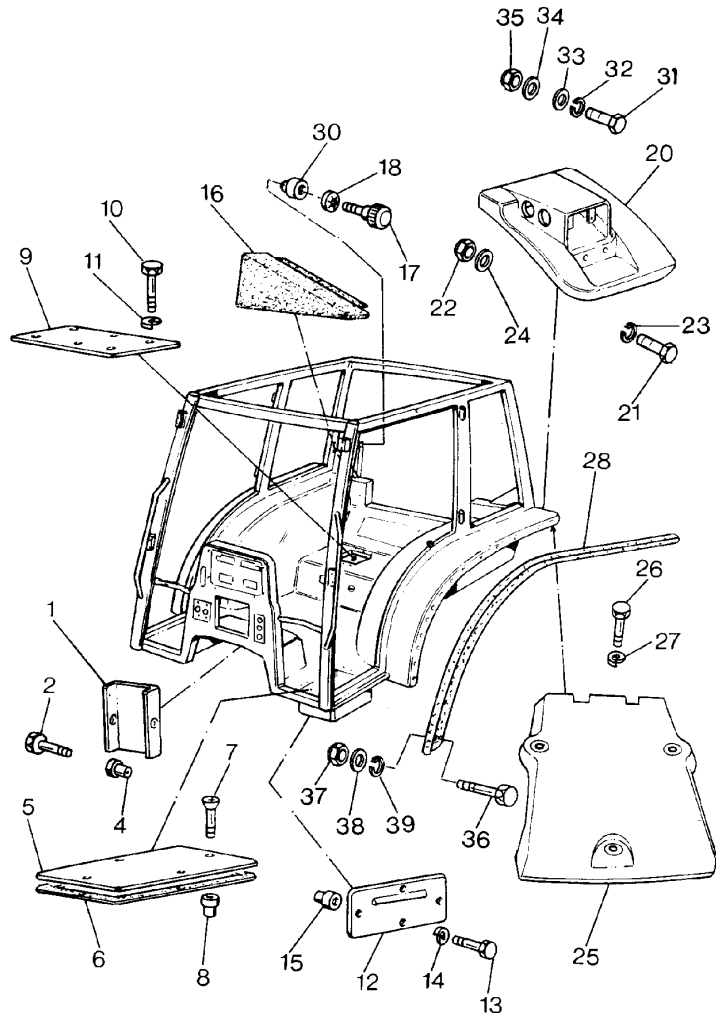
TRACTOR CAB

U-47  
02

TRACTOR CAB - FRAME AND PLATFORM

Globus 60

U4702



1	3553945M2		1	COVER
2	3007767X1	T-A 0:25	2	SCREW
4	3546840M2		2	INSERT
5	3552642M1		1	COVER
6	3555531M1	T-A 0:25	1	GASKET
7	3007767X1	T-A 0:25	4	SCREW
8	3546840M2		4	INSERT
9	3554008M1		1	COVER
10	339009X1	T-A 0:25	4	SCREW
10	339761X1		2	SCREW
11	339374X1		6	LOCK WASHER
12	3556570M1		1	COVER
13	3015356X1	T-A 0:25	4	SCREW
14	3001856X1		4	WASHER
15	3557543M1		4	NAMEPLATE
16	3555522M1		1	PANEL
17	3556348M1	T-A 0:25	1	KNOB
18	3556679M1	T-A 0:25	1	LOCK WASHER
20	3648300M1	T-A 0:25	1	EXTENSION

TRACTOR CAB

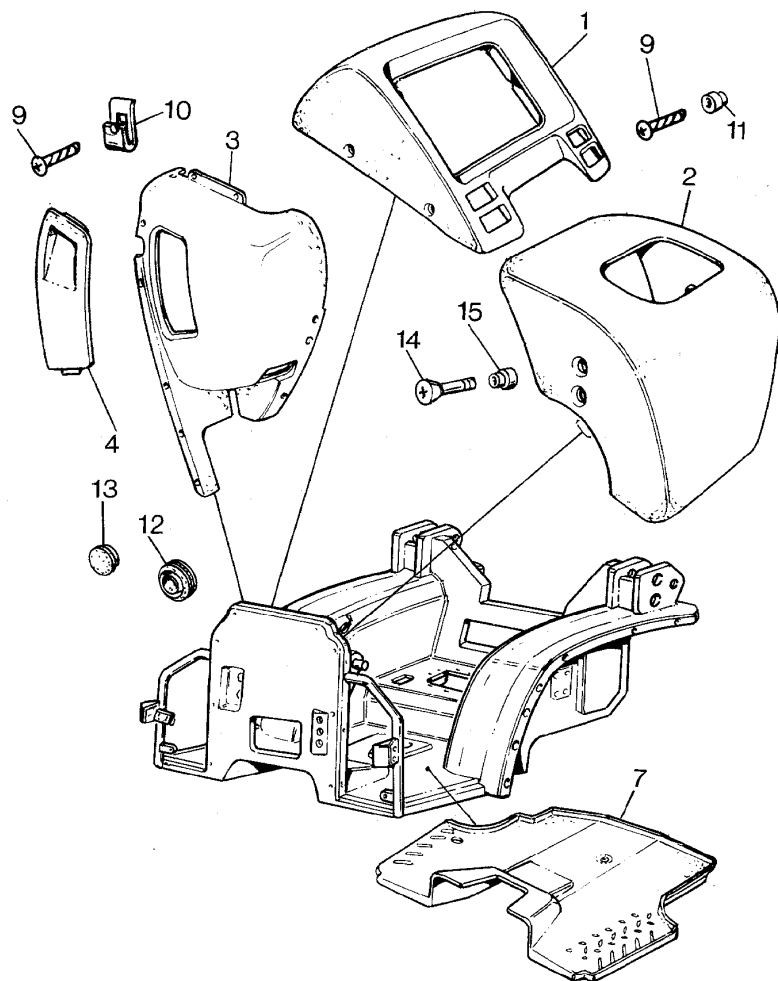
U-47  
05

TRACTOR CAB - FRAME AND PLATFORM

Globus 60



U4705



- |     |                                       |   |   |        |
|-----|---------------------------------------|---|---|--------|
| 15  | 3647183M1                             | E | 4 | RIVET  |
| 16  | 3555552M1                             | B | 1 | FACING |
|     |                                       | E |   |        |
| 17  | 3557717M1                             | ● | 1 | PLUG   |
|     |                                       | E |   |        |
| B   | WITH HDROSTATIC STEERING ADJUSTABLE   |   |   |        |
| E   | WITH RIGID COLUMN HDROSTATIC STEERING |   |   |        |
| ◀   | LEFT HAND                             |   |   |        |
| ▶   | RIGHT HAND                            |   |   |        |
| T-A | Replacement                           |   |   |        |

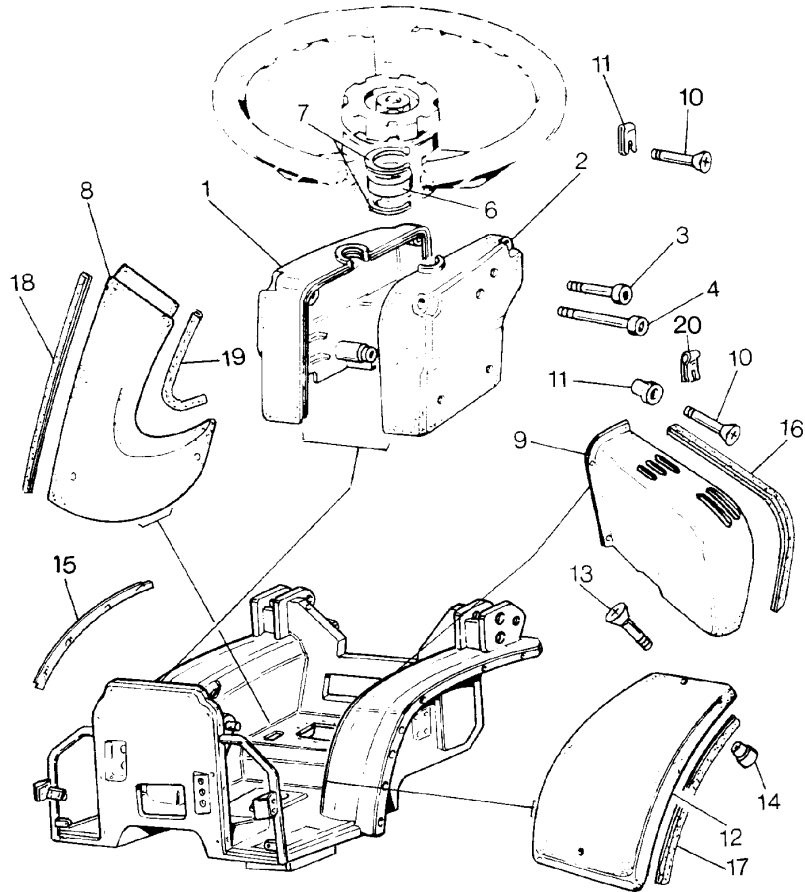
TRACTOR CAB

U-47  
11

TRACTOR CAB - FRAME AND PLATFORM

Globus 60

U4711



- |   |            |   |                |   |         |
|---|------------|---|----------------|---|---------|
| 1 | 3554814M91 | ● | 3652990M91 (1) | 1 | OVERLAY |
|   |            | ▶ | 3652989M92 (1) |   |         |
|   |            |   | T-A 0:25       |   |         |
| 2 | 3554815M91 | ● | N.L.S. (1)     | 1 | OVERLAY |
|   |            | ▲ | T-A 0:25       |   |         |
| 3 | 3015282X1  |   |                | 1 | SCREW   |
| 4 | 3015283X1  |   |                | 3 | SCREW   |
| 6 | 3554604M2  | ● | 3554604M3 (1)  | 1 | BUSH    |
| 7 | 1440523X1  |   |                | 2 | RING    |
| 8 | 3556704M1  | ● | 3652923M2 (1)  | 1 | FACING  |
|   |            | ▼ | T-A 0:25       |   |         |
| 8 | 3649670M1  |   | B              | 1 | FACING  |
|   |            |   | T-A 0:25       |   |         |
| 9 | 3648229M2  | ▲ | E              | 1 | FACING  |
|   |            |   | T-A 0:25       |   |         |
| 9 | 3648230M2  | ● | 3652948M2 (1)  | 1 | FACING  |
|   |            | ▲ | A              |   |         |
|   |            |   | B              |   |         |
|   |            |   | T-A 0:25       |   |         |
| 9 | 3648732M2  | ▲ | C              | 1 | FACING  |
|   |            |   | T-A 0:25       |   |         |

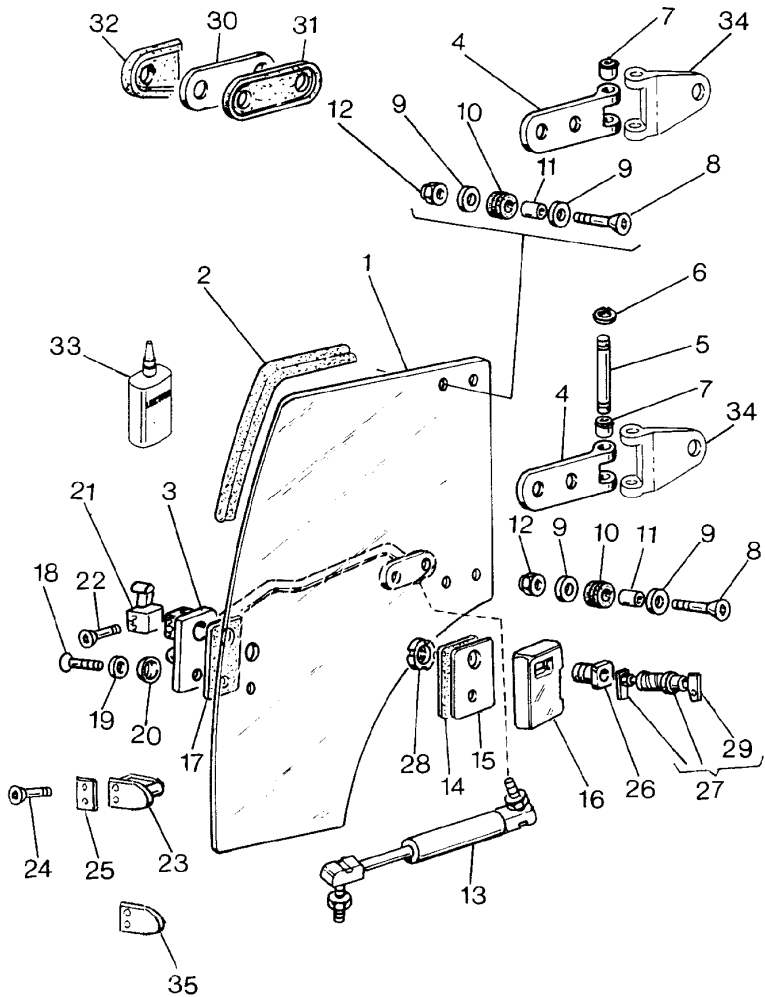
TRACTOR CAB

U-47  
16

TRACTOR - "DOORS"

Globus 60

U4716



- |    |           |                      |     |           |
|----|-----------|----------------------|-----|-----------|
| 32 | 3557556M1 |                      | 4   | GASKET    |
| 33 | 3647132M1 | ➔ T-A 0:25<br>F10501 | 999 | LOCTITE   |
| 34 |           | ◊ U-47 15 7<br>▲     | 4   | HINGE     |
| 35 | 3650622M1 |                      | 999 | NAMEPLATE |
- ➔ FROM SERIAL OR ENGINE NUMBER  
 ➔ UP TO SERIAL OR ENGINE NUMBER  
 ◊ SEE PAGE - REFERENCE NUMBER  
 ☐ NOT SERVICED, ORDER  
 C TO BE ADVISED  
 ▲ LEFT HAND  
 ▼ RIGHT HAND  
 T-A Replacement  
 (X) QTY PER TRACTORS SOLD (AA.BBB.CCC.DDD) (AA) FOR  
 1,(BBB) 2-10 (CCC) 11-25 (DDD) 26-50

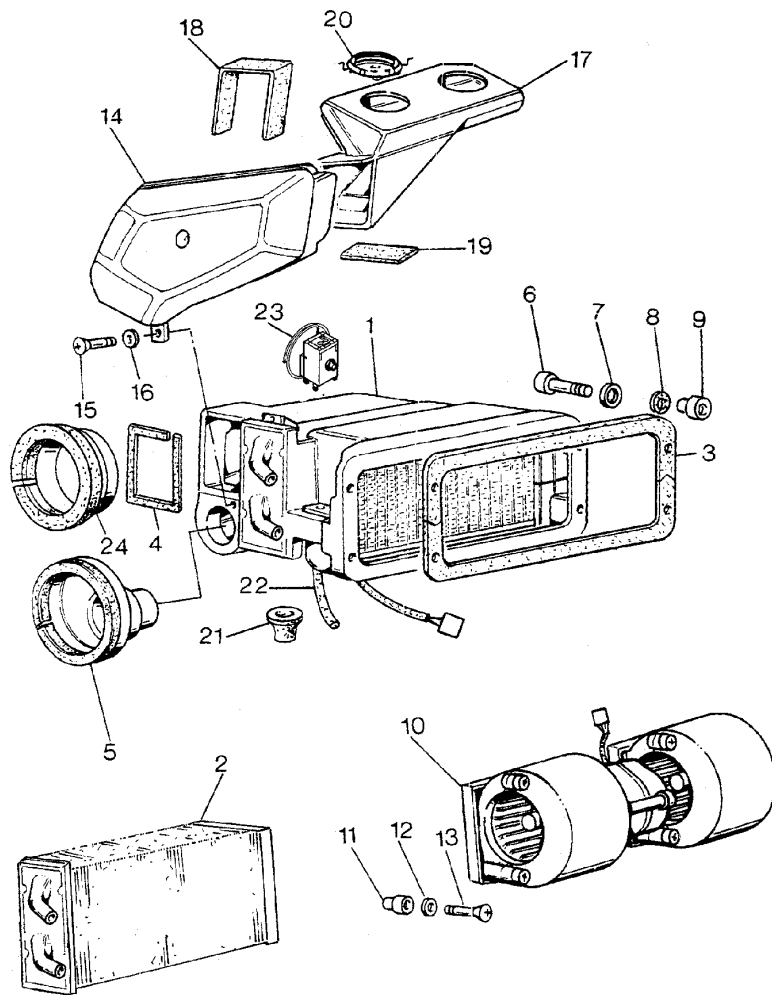
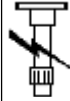
TRACTOR CAB

U-47  
23

TRACTOR CAB - AIR CONDITIONER - .

Globus 60

U4723



1	3657092M91	A	1	EVAPORATOR
2	3657836M91	●	1	EVAPORATOR
		!	1	
		A		
		T-A 2:0		
3	3541118M91	!	1	RADIATOR
		A		
		T-A 2:0		
4	3541124M1	A	1	GASKET
		T-A 0:25		
5	3541125M91	A	2	CHOKE
		T-A 0:25		
6	3009273X1		4	SCREW
7	339381X1		4	LOCK WASHER
8	390469X1		4	LOCK WASHER
9	3647183M1		4	RIVET
10	3541127M91	A	1	VENTILATOR
		T-A 0:75		
11	3547545M1	A	6	INSERT
12	3009273X1	A	6	SCREW
13	3009273X1	A	6	SCREW
14	3541128M91	A	1	CONVEYOR
		T-A 0:25		
15		A	2	SCREW
		C		
16		A	2	WASHER
		C		

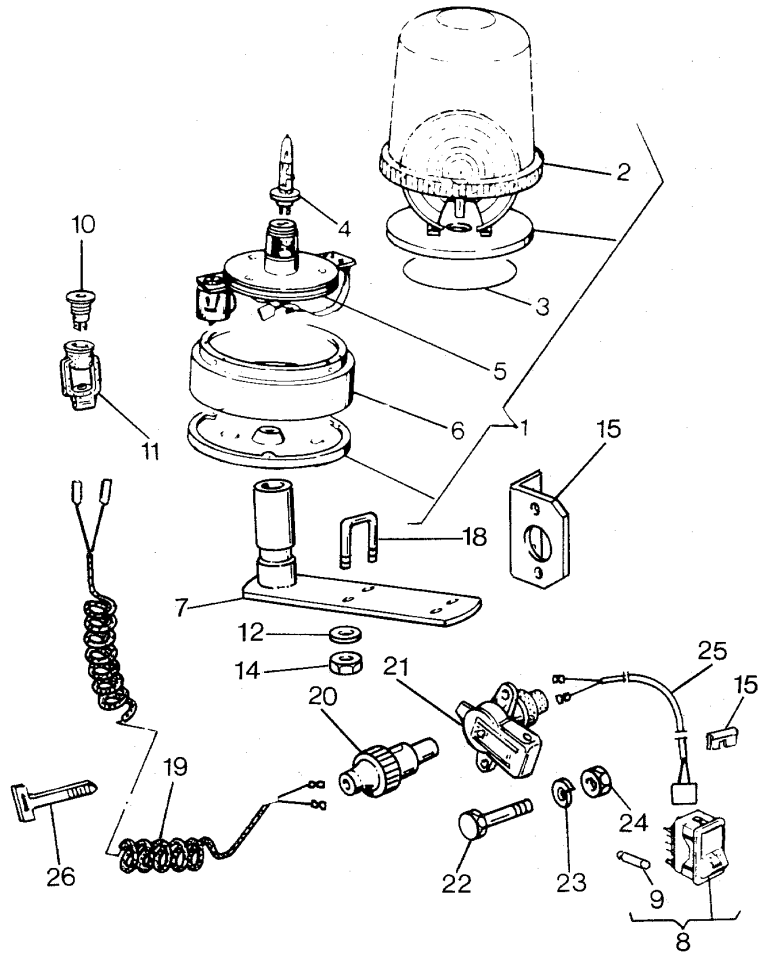
TRACTOR CAB

U-47  
27

ROTATING LIGHT - WITH 2 POST ROPS

Globus 60

U4727



- |    |            |            |   |             |
|----|------------|------------|---|-------------|
| 18 | 3559725M1  |            | 2 | STIRRUP     |
| 19 | 3535829M92 |            | 1 | CABLE       |
| 20 | 3535830M91 | ! T-A 0:25 | 1 | DOWEL       |
| 21 | 3535831M91 | T-A 0:25   | 1 | PLUG SOCKET |
| 22 | 339721X1   | T-A 0:25   | 2 | SCREW       |
| 23 | 339381X1   |            | 2 | LOCK WASHER |
| 24 | 390995X1   |            | 2 | NUT         |
| 25 |            | C          | 1 | CABLE       |
| 26 | 3301575M1  |            | 4 | CLAMP       |
- ! THIS IS A COMPONENT OF AN ASSEMBLY
- ▶ NOT SERVICED, ORDER
- C TO BE ADVISED
- T-A Replacement
- (X) QTY PER TRACTORS SOLD (AA.BBB.CCC.DDD) (AA) FOR 1,(BBB) 2-10 (CCC) 11-25 (DDD) 26-50

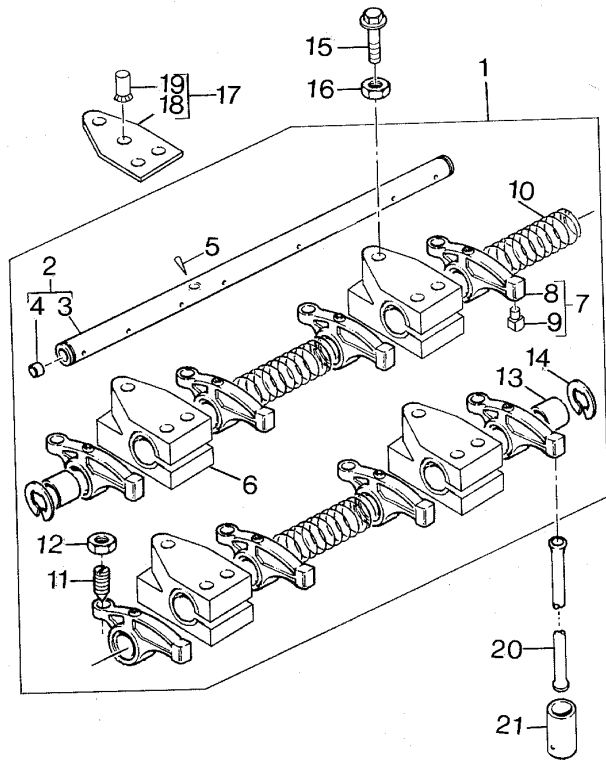
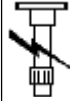
ENGINE

A-05  
06

ROCKER SHAFT - PLATE A - 704-30 ENGINE

Globus 60

A0506



1	ZZ90167		1	AXLE
2	ZZ90169	!	1	SHAFT
		(X) 0.1.2.4		
		T-A 1:50		
3		!	2	SHAFT
		REF.N.2		
4	32417137	!	2	PLUG
		T-A 1:0		
5	2116A053	!	1	PIN
6	3818X101	!	1	SUPPORT
		T-A 2:50		
7	U4115R304	●	4115R304 (8)	8 LEVER
		!	1	
8		!	7	LEVER
		REF.N.7		
9	U3244A006	!	7	PAD
10	3174P802	!	1	SPRING
		T-A 2:50		
11	U3211E002	●	3211E002 (8)	8 SCREW
		!	1	
		T-A 1:0		
12	2318A208	!	1	NUT
13	3311R004	!	1	SPACER
		T-A 3:25		
14	2722A019	!	1	RING
15	2314F012		8	SCREW

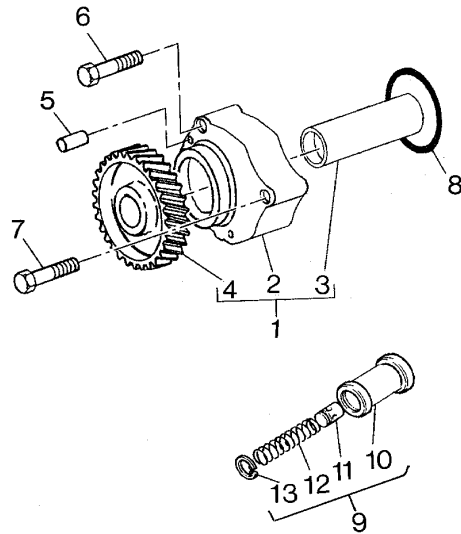
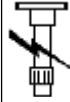
ENGINE

A-05  
10

LUBRICATING OIL PUMP AND DELIVERY HOUSING - PLATE A - 704-30 ENGINE

Globus 60

A0510



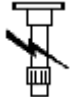
1	4132F059	●	2311D040 (3) 4132F065 (1)	1	PUMP
			T-A 5:0		
2		!	1	1	BODY
		➤	REF.N.1		
3		!	1	1	SHAFT
		➤	REF.N.1		
4	3117C181	●	2311D040 (3) 4132F065 (1)	1	GEAR
		!	1		
			T-A 5:0		
5	3244A004			2	DOWEL
6	2311D039			2	SCREW
7	2311D040			1	SCREW
8	2415A039			1	RING
			T-A 5:0		
9	4138A048			1	VALVE
			T-A 5:25		
10		!	9	1	BODY
		➤	REF.N.9		
11	3245A001	!	9	1	PLUNGER
			T-A 5:25		
12	3174D006	!	9	1	SPRING
			T-A 5:25		
13	2721A007	!	9	1	RING
			T-A 5:25		
!			THIS IS A COMPONENT OF AN ASSEMBLY		
➤			NOT SERVICED, ORDER		
T-A			Replacement		

ENGINE

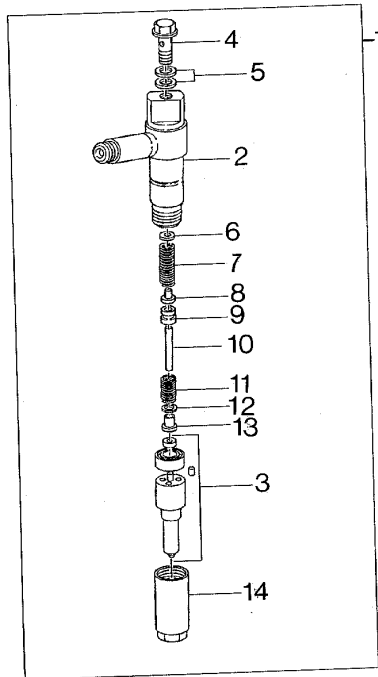
A-05  
13

FUEL INJECTION EQUIPMENT (DIESEL) - PLATE A - 704-30 ENGINE

Globus 60



A0513



6	26420241	✕	0,54MM T-A 0:75	999 SHIM
6	26420242	✕	0,55MM T-A 0:75	999 SHIM
6	26420243	✕	0,56MM T-A 0:75	999 SHIM
6	26420244	✕	0,57MM T-A 0:75	999 SHIM
6	26420245	✕	0,58MM T-A 0:75	999 SHIM
6	26420246	✕	0,59MM T-A 0:75	999 SHIM
6	26420247	✕	0,10MM T-A 0:75	999 SHIM
7	26420218	●	N.L.A. (1)	1 SPRING
		!	1 T-A 0:75	
8	26420219	!	1 T-A 0:75	1 WASHER
9	26420220	!	1 T-A 0:75	1 BUSH
10	26420248	!	1 T-A 0:75	1 PIN

ENGINE

Globus 60

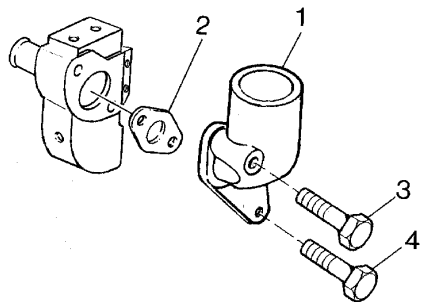
A-05  
19



A0519

WATER OUTLET AND INLET - PLATE A - 704-30 ENGINE

- |     |   |             |   |            |
|-----|---|-------------|---|------------|
| 1   | 3765D021  |             | 1 | CONNECTION |
| 2   | 36834169  | T-A 0:50    | 1 | GASKET     |
|     |   | (X) 0.2.4.8 |   |            |
|     |   | T-A 0:50    |   |            |
| 3   | 2314J006  |             | 1 | SCREW      |
| 4   | 2314J010  |             | 1 | SCREW      |
| T-A | Replacement                                     |             |   |            |
| (X) | QTY PER TRACTORS SOLD (AA.BBB.CCC.DDD) (AA) FOR |             |   |            |
|     | 1,(BBB) 2-10 (CCC) 11-25 (DDD) 26-50            |             |   |            |



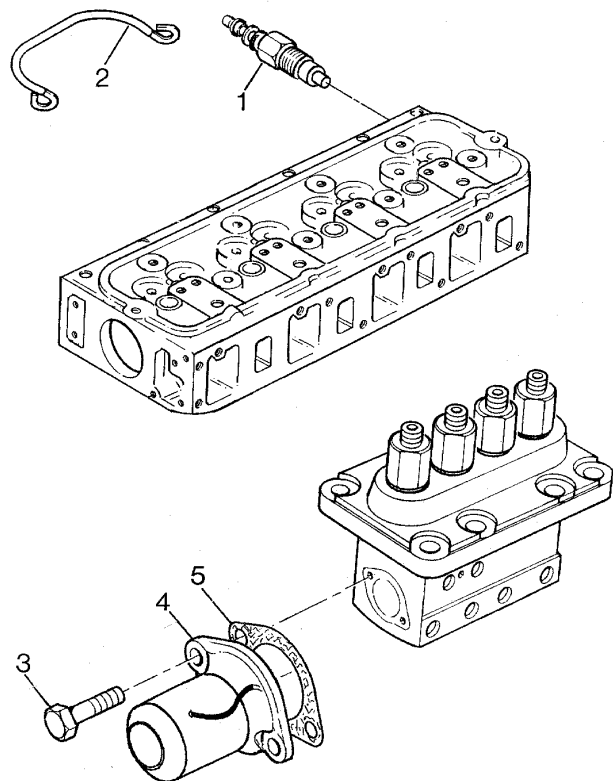
ENGINE

A-05  
27

COLD START SYSTEM - PLATE A - THROTTLE AND STOP CONTROLS

Globus 60

A0527



- |     |           |   |              |   |          |
|-----|-----------|---|--------------|---|----------|
| 1   | U2666A005 | ● | 2666A005 (4) | 4 | PLUG     |
|     |           |   | T-A 0:25     |   |          |
| 2   | M172EF02  |   |              | 3 | CABLE    |
| 3   | 2314F003  |   |              | 2 | SCREW    |
| 4   | U2848A270 | ● | 2848A279 (1) | 1 | SOLENOID |
|     |           |   | T-A 0:50     |   |          |
| 5   | 3683H007  |   |              | 1 | GASKET   |
|     |           |   | T-A 0:50     |   |          |
| T-A |           |   | Replacement  |   |          |

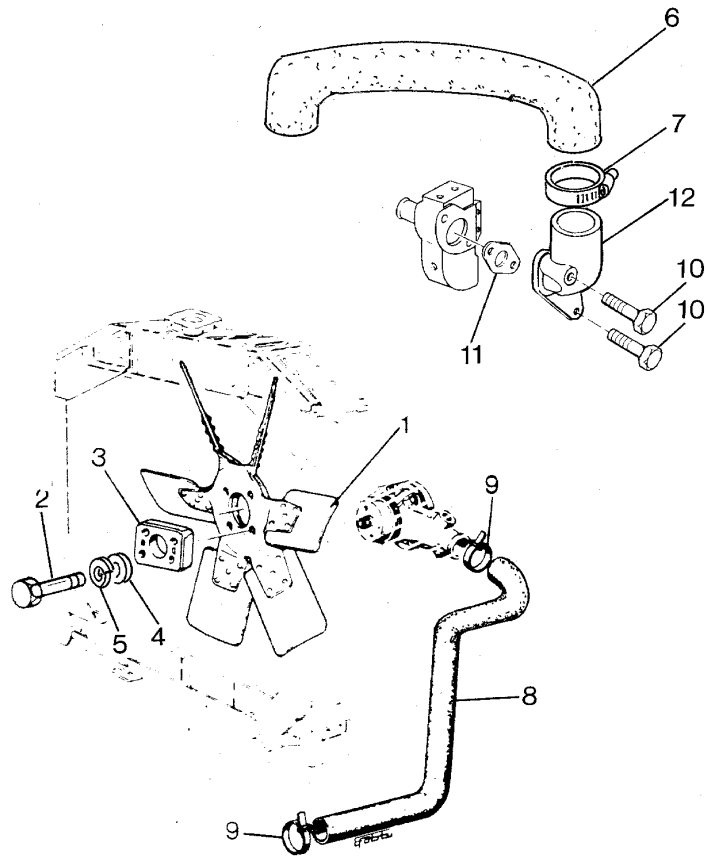
ENGINE ANCILLARY EQUIPMENT

C-32  
04

COOLING SYSTEM - ENGINE - FAN AND HOSES

Globus 60

C3204



1	3538983M91	B C (X) 0.1.2.4 T-A 1:0	1	FAN
1	3551320M91	A C (X) 0.1.2.4 T-A 1:0	1	FAN
2	339159X1	A C	4	SCREW
2	390246X1	B C	4	SCREW
3	3557722M1	T-A 1:0	1	SPACER
4	390972X1		4	WASHER
5	339374X1		4	LOCK WASHER
6	3559716M1	! 5 (X) 1.1.3.6 T-A 0:25	1	SLEEVE
7	3307666M91	T-A 0:25	2	CLAMP
8	3555674M1	● 3651379M1 (1) (X) 1.1.3.6 T-A 0:50	1	SLEEVE
9	3307666M91		2	CLAMP
10	2314J006		2	SCREW
10	2314J010		1	SCREW

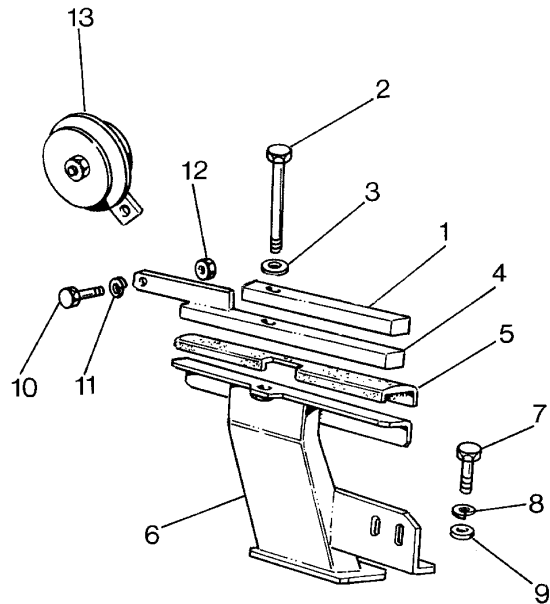
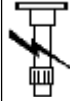
ENGINE ANCILLARY EQUIPMENT

C-32  
09

FUEL TANK AND ATTACHMENTS

Globus 60

C3209



- |     |              |                            |   |             |
|-----|--------------|----------------------------|---|-------------|
| 1   | 3533687M1    |                            | 1 | CROSSPIECE  |
| 2   | 339013X1     | T-A 0:75                   | 2 | SCREW       |
| 3   | 390972X1     |                            | 2 | WASHER      |
| 4   | 3555172M91   |                            | 1 | CROSSPIECE  |
| 5   | 3553586M1    | T-A 0:75                   | 2 | PAD         |
| 6   | 3555724M91 ◀ | T-A 0:75                   | 1 | SUPPORT     |
| 6   | 3556445M91 ▶ | T-A 0:75                   | 1 | SUPPORT     |
| 7   | 339123X1     | T-A 0:75                   | 4 | SCREW       |
| 8   | 339374X1     |                            | 4 | LOCK WASHER |
| 9   | 390972X1     |                            | 4 | WASHER      |
| 10  | 339124X1     |                            | 1 | SCREW       |
| 11  | 339374X1     |                            | 1 | LOCK WASHER |
| 12  | 339169X1     | ● 394367X1 (1)<br>AW044090 | 1 | NUT         |
| 13  |              |                            | 1 | HORN        |
| ◀   |              | LEFT HAND                  |   |             |
| ▶   |              | RIGHT HAND                 |   |             |
| T-A |              | Replacement                |   |             |

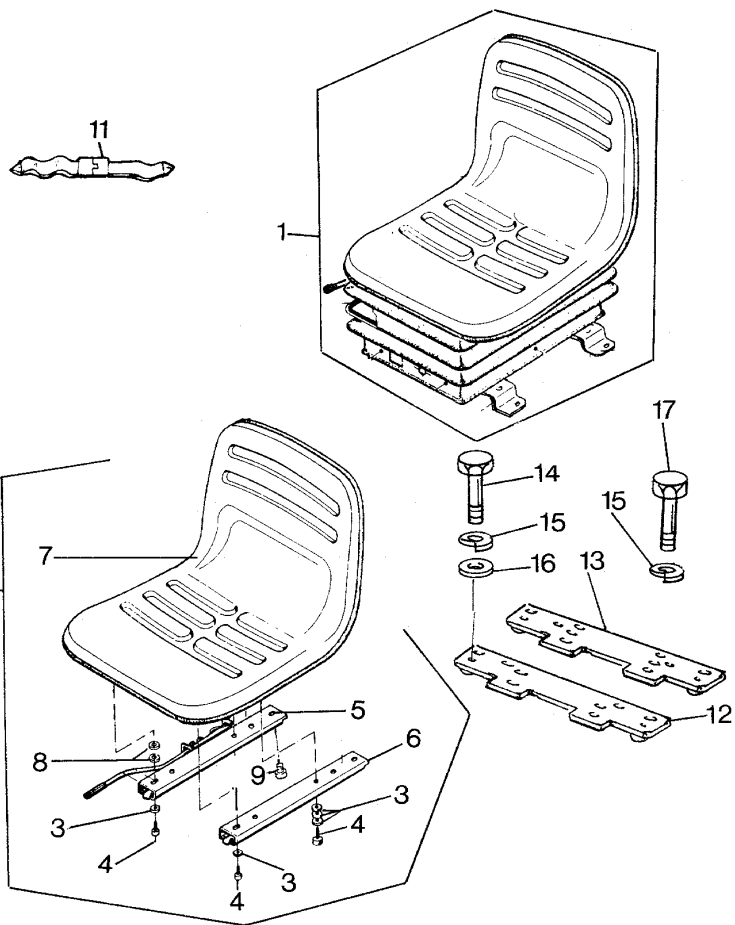
FENDERS FOOTSTEPS AND PLATFORM

S-22  
01

SEAT "GRAMMER"

Globus 60

S2201



16 390972X1  
17 339123X1

4 WASHER  
4 SCREW

- ! THIS IS A COMPONENT OF AN ASSEMBLY
- ➡ NOT SERVICED, ORDER
- A SKI SEAT.
- B WITH SECONDARY PASSENGER SEAT
- ◀ LEFT HAND
- ▶ RIGHT HAND
- T-A Replacement
- (X) QTY PER TRACTORS SOLD (AA.BBB.CCC.DDD) (AA) FOR 1,(BBB) 2-10 (CCC) 11-25 (DDD) 26-50

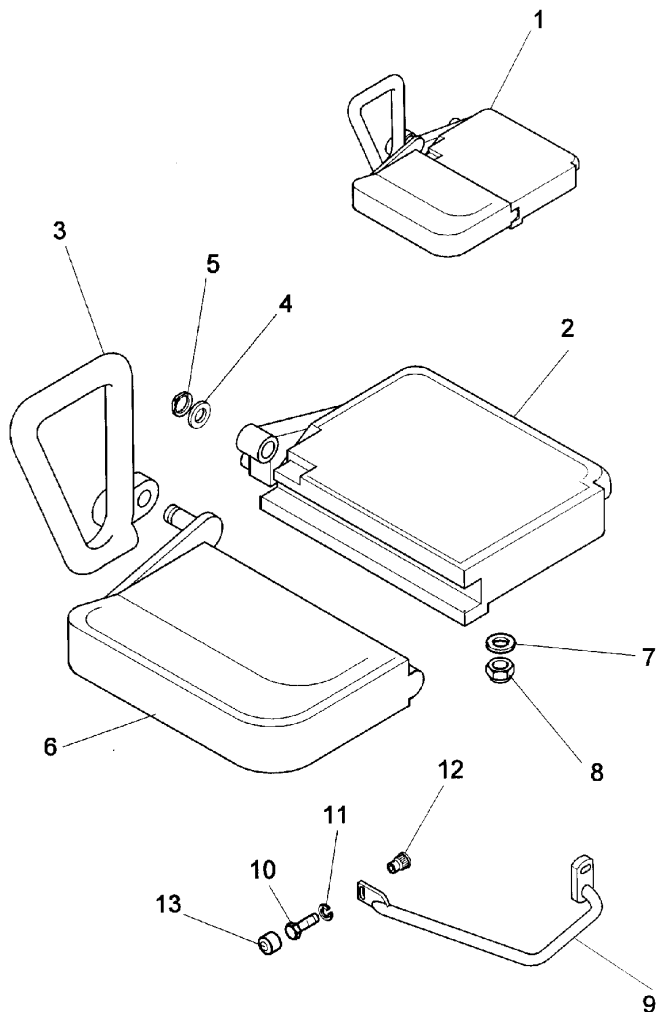
FENDERS FOOTSTEPS AND PLATFORM

S-22  
06

SECONDARY PASSENGER SEAT

Globus 60

S2206



1	3558576M92 ●	3558576M93 (1)	1 SEAT
		T-A 0:50	
2	3558094M92 ●	3558576M93 (1)	1 SEAT
	!	1	
		T-A 0:50	
3	3558096M91 !	1	1 BACK REST
		T-A 0:50	
4	1441664X1 !	1	1 LOCK WASHER
5	339369X1 !	1	1 LOCK WASHER
6	3558092M91 !	1	1 SEAT
		T-A 0:50	
7	390972X1		4 WASHER
8	1441461X1		4 NUT
9	3558095M93 ●	3558095M94 (1)	1 ABUTMENT
		T-A 0:50	
10	339123X1		2 SCREW
11	339374X1		2 LOCK WASHER
12	3556301M1		2 RIVET
13	3647481M1		2 OVERLAY
!	THIS IS A COMPONENT OF AN ASSEMBLY		
T-A	Replacement		

FRONT AXLE AND STEERING

J-09  
01

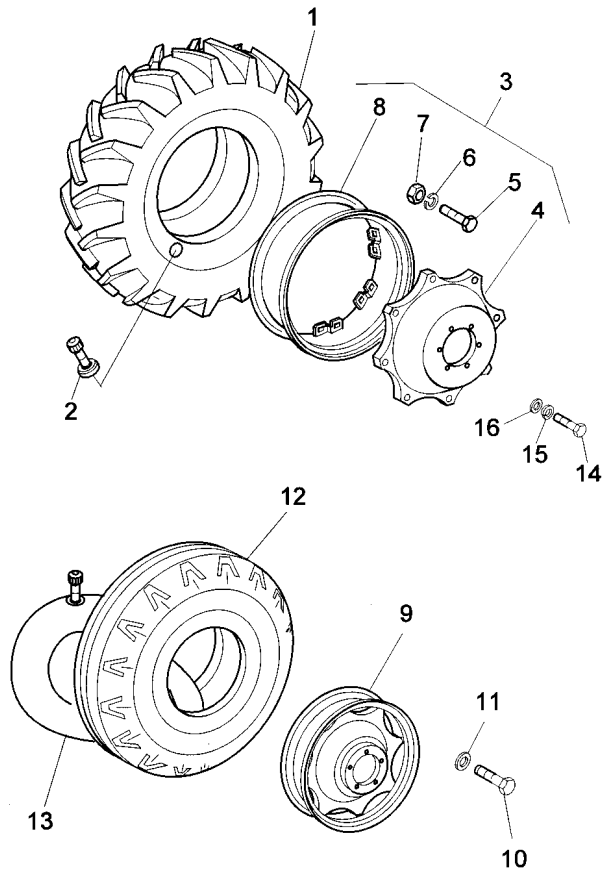
FRONT WHEELS - HOOPS AND TYRES

Globus 60

J0901



4-AL01-086-C



2	3551564M91		2	VALVE
3	3554257M91	◊ J-09 02 3 D I M N P W10-20 T-A 1:25	2	WHEEL
3	3554258M93	◊ J-09 02 3 N W7X24 T-A 1:25	2	HOOP
3	3554313M93	◊ J-09 02 3 D I S W8X20 T-A 1:25	2	HOOP
3	3554314M91	A 5.50F-20 T-A 1:25	2	HOOP
3	3647626M91	L 9X18 T-A 1:25	2	HOOP
3	3649874M91	E 10X15 T-A 1:25	2	HOOP

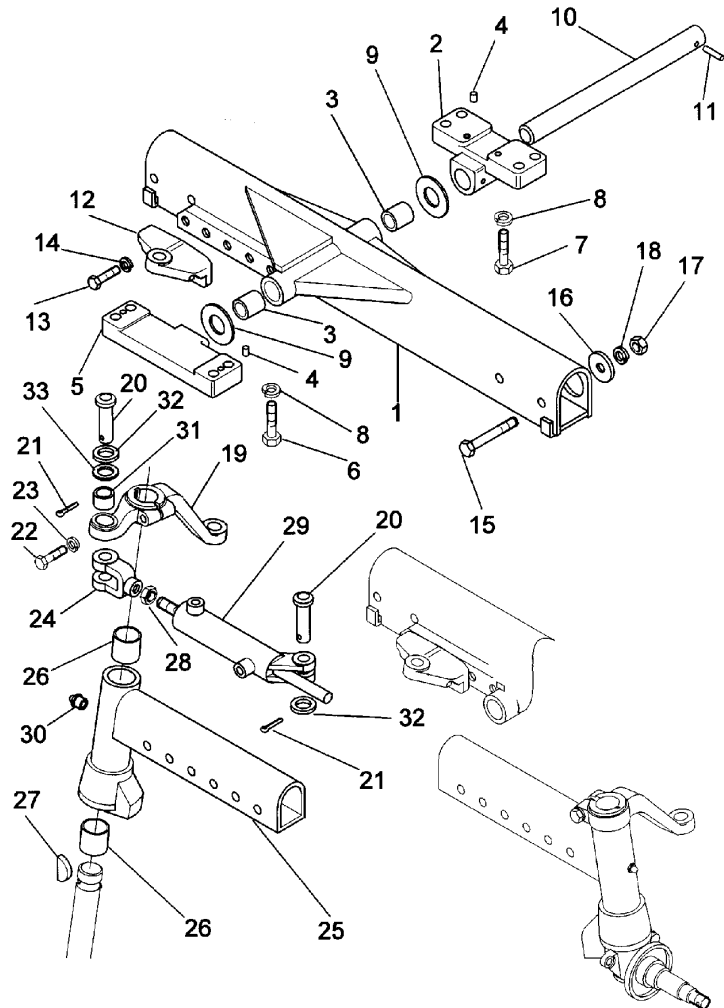
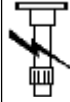
FRONT AXLE AND STEERING

J-09  
05

FRONT AXLE 2 WHEEL DRIVE - AXLE SUPPORT

Globus 60

J0905



1	3647015M91	●	3647015M92 (1)	1	BODY
			T-A 2:50		
2	3559769M1		D	1	SUPPORT
			T-A 0:50		
3	1423636M1			2	BUSH
4	1440688X1			4	DOWEL
5	3559770M1		Y	1	SUPPORT
			T-A 0:50		
6	3015125X1		Y	4	SCREW
7	3015125X1		D	4	SCREW
8	1440316X1			8	LOCK WASHER
9	1423631M1			2	WASHER
			T-A 1:0		
10	1423630M2			1	PIN
			T-A 1:0		
11	390949X1			1	DOWEL
12	3559786M1			1	SUPPORT
			T-A 0:50		
13	339275X1			2	SCREW
14	391414X1			2	LOCK WASHER
15	3000035X1			4	SCREW
16	1822489M1			4	WASHER
17	1440201X1			4	NUT
18	1440316X1			4	LOCK WASHER
19	3647583M1	◀		1	LEVER
			T-A 0:50		

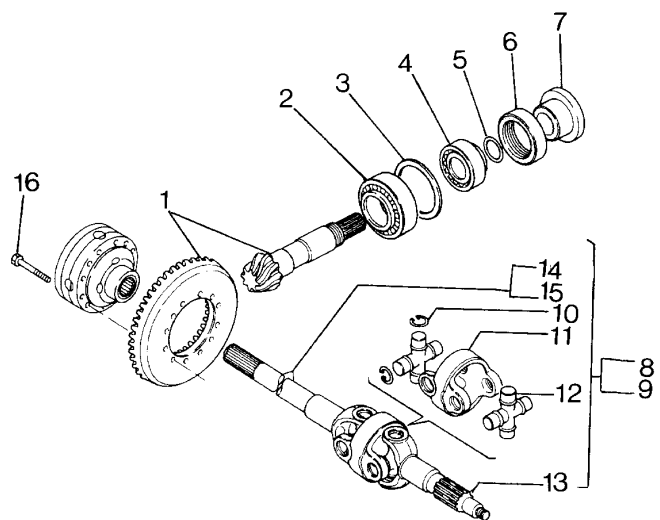
FRONT AXLE AND STEERING

J-09  
10

FRONT AXLE 4 WHEEL DRIVE - DIFFERENTIAL - WITH FRONT BRAKING

Globus 60

J0910



7	3764660M2		1	FERRULE
8	3764907M91	● T-A 1:0	1	HALFSHAFT
		▲ 3765465M91 (1)		
9	3764905M91	● T-A 3:0	1	HALFSHAFT
		▼ 3765466M91 (1)		
10	390917X1	! T-A 3:0	8	RING
		▼ 8		
10	390917X1	! T-A 3:0	8	RING
		▼ 9		
11	3764687M1	! T-A 3:0	1	BODY
		▼ 9		
11	3764687M1	! T-A 3:0	1	BODY
		▼ 8		
12	3764686M1	T-A 3:0	2	SPIDER
		▼ T-A 3:0		
13	3764906M1	C T-A 3:0	1	YOKE
		▼ (X) 0.1.2.4		
		▼ T-A 3:0		
		▼ C T-A 2:50		

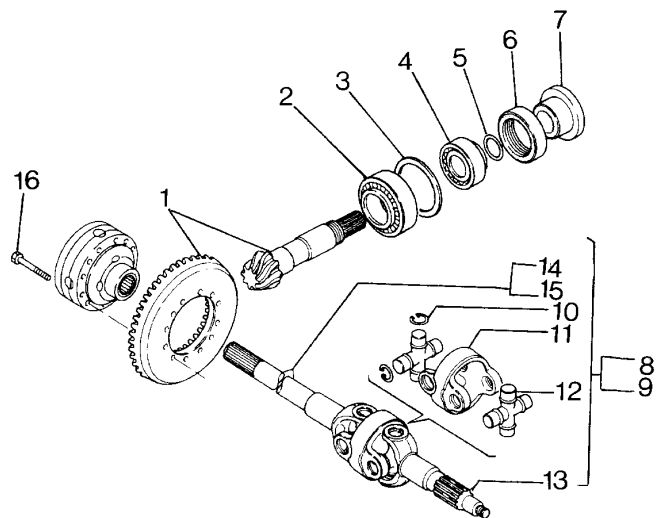
FRONT AXLE AND STEERING

J-09  
16

FRONT AXLE 4 WHEEL DRIVE - DIFFERENTIAL - WITH FRONT BRAKING

Globus 60

J0916



1	3764777M91		1	KIT
2	3310930M91	T-A 7:50	1	KIT
3	3426230M1	✕ 1.00 MM T-A 7:50	999	SHIM
3	3426231M1	✕ 0.50 MM T-A 7:50	999	SHIM
3	3426232M1	✕ 0.30 MM T-A 7:50	999	SHIM
3	3426233M1	✕ 0.15 MM T-A 7:50	999	SHIM
3	3426234M1	✕ 0.10 MM T-A 7:50	999	SHIM
4	3009131X1	T-A 7:50	1	BEARING
5	3429248X1	T-A 7:50	1	RING
6	3428064M1	T-A 7:50	1	SEAL
7	3764660M2	T-A 7:50	1	FERRULE
8	3764905M91	● T-A 1:0 ▲ 3765466M91 (1) T-A 3:0	1	HALFSHAFT

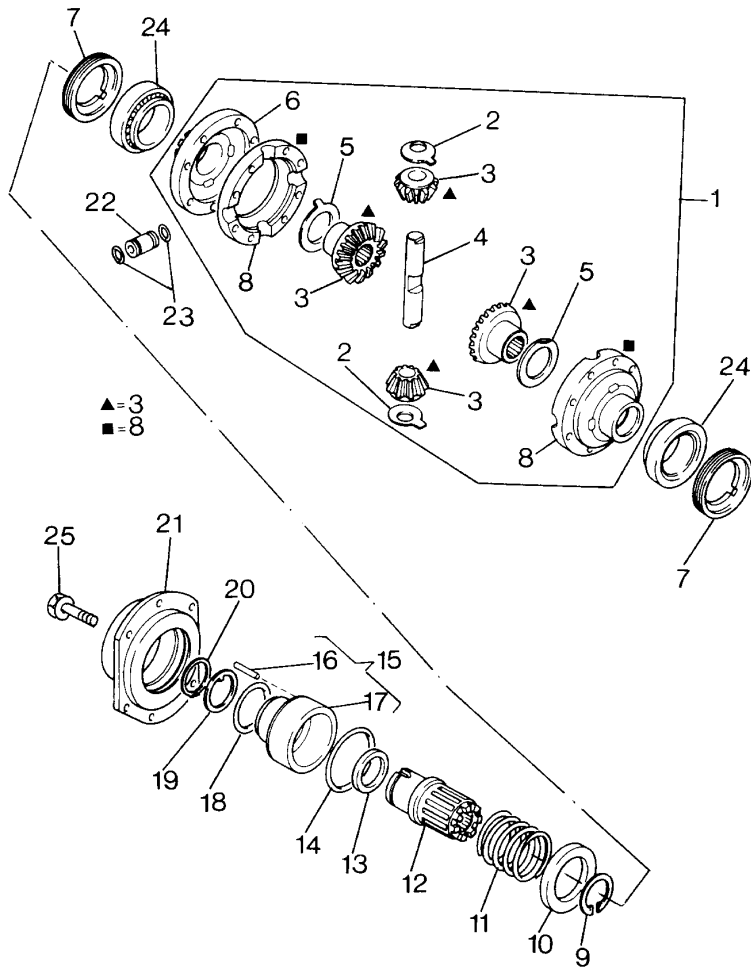
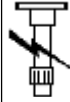
FRONT AXLE AND STEERING

J-09  
21

FRONT AXLE 4 WHEEL DRIVE - DIFFERENTIAL - WITHOUT FRONT BRAKING

Globus 60

J0921



1	3764655M91			1	DIFFERENTIAL
2	3429368M1	!	T-A 7:0	1	WASHER
3	3764656M91	!	T-A 7:25	1	KIT
4	3428734M1	!	T-A 7:25	1	PIN
5	3429366M1	!	T-A 7:25	2	WASHER
6	3764657M1	!	T-A 7:25	1	FLANGE
7	3428962M1		T-A 7:0	2	FERRULE
8	3764796M91	!	T-A 7:25	1	BOX
9	390613X1			1	RING
10	3427839M1			1	GUIDE
11	3427313M1			1	SPRING
12	3764659M1		T-A 7:25	1	SLEEVE
13	3427433M1		T-A 7:0	1	PIN

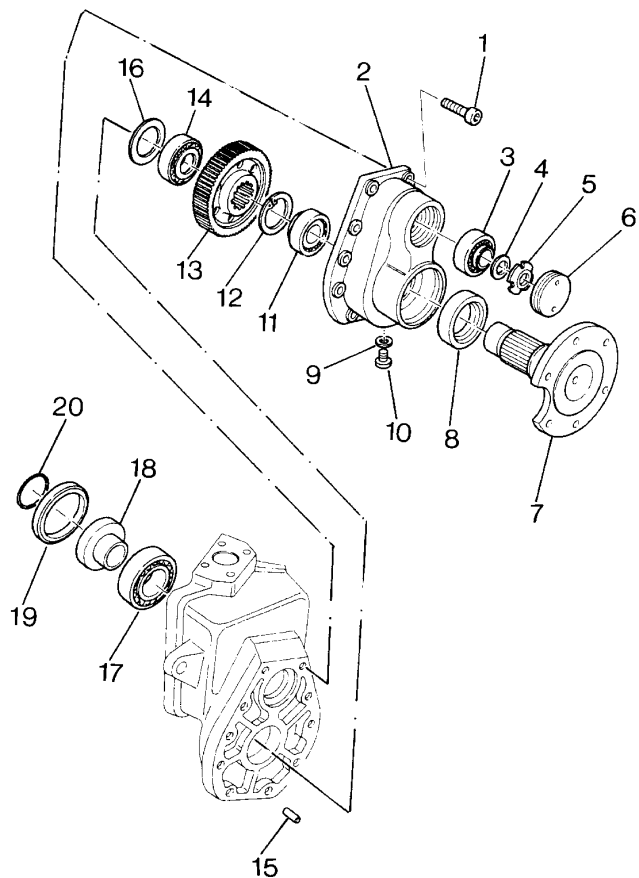
FRONT AXLE AND STEERING

J-09  
24

FRONT AXLE 4 WHEEL DRIVE - FINAL DRIVE - WITHOUT FRONT BRAKING

Globus 60

J0924



17	3764708M1		2	BEARING
18	3764711M1	T-A 1:75	2	SPACER
19	3764633M1	T-A 2:0	2	RING
20	366434X1		2	O RING
21	3765053M1		2	RING
∆	SHIM			
T-A	Replacement			

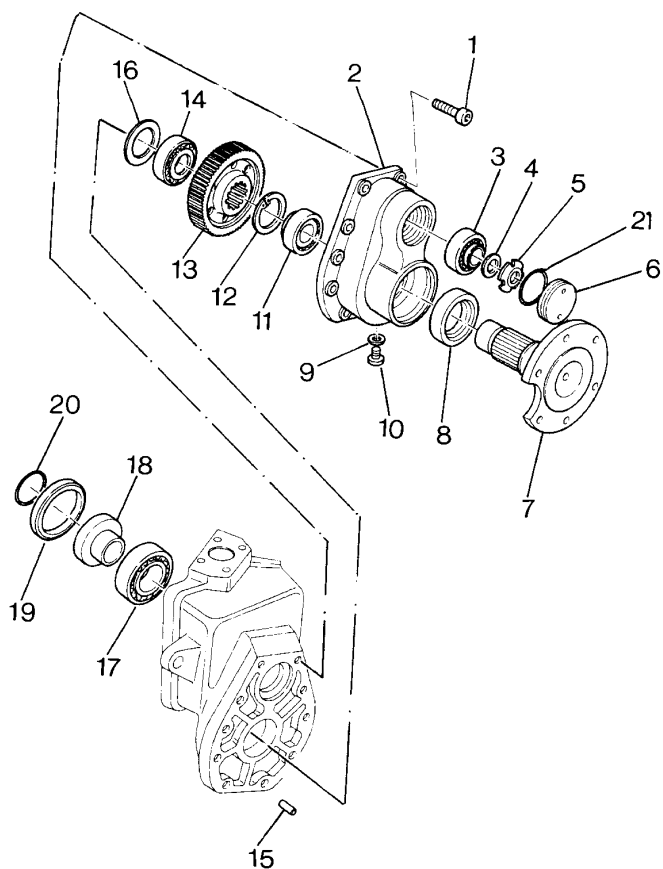
FRONT AXLE AND STEERING

J-09  
29

FRONT AXLE 4 WHEEL DRIVE - FINAL DRIVE - WITHOUT FRONT BRAKING

Globus 60

J0929



18 3764711M1

T-A 2:0

2 SPACER

19 3764633M1

2 RING

20 366434X1

2 O RING

21 3765053M1

2 RING

T-A 0:50



SHIM

T-A

Replacement

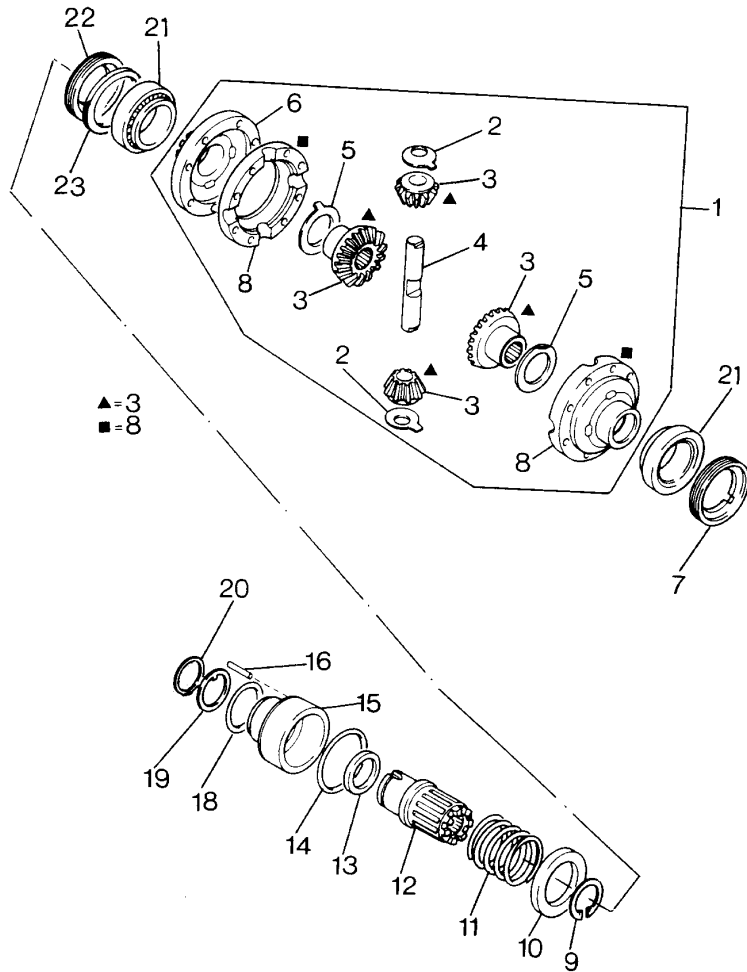
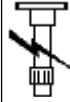
FRONT AXLE AND STEERING

J-09  
35

FRONT AXLE 4 WHEEL DRIVE - DIFFERENTIAL - "SHERPA" MODEL

Globus 60

J0935



1	3764655M91		1	DIFFERENTIAL
		T-A 7:0		
2	3429368M1	!	1	WASHER
		T-A 7:25		
3	3764656M91	!	1	KIT
		T-A 7:25		
4	3428734M1	!	1	PIN
		T-A 7:25		
5	3429366M1	!	1	WASHER
		T-A 7:25		
6	3764657M1	!	1	FLANGE
		T-A 7:25		
7	3428753M1		1	FERRULE
		(X) 0.1.2.4		
		T-A 7:0		
8	3764796M91	!	1	BOX
		T-A 7:25		
9	390613X1		1	RING
		T-A 7:25		
10	3428740M1		1	GUIDE
		T-A 7:25		
11	3428741M1		1	SPRING
		T-A 7:25		

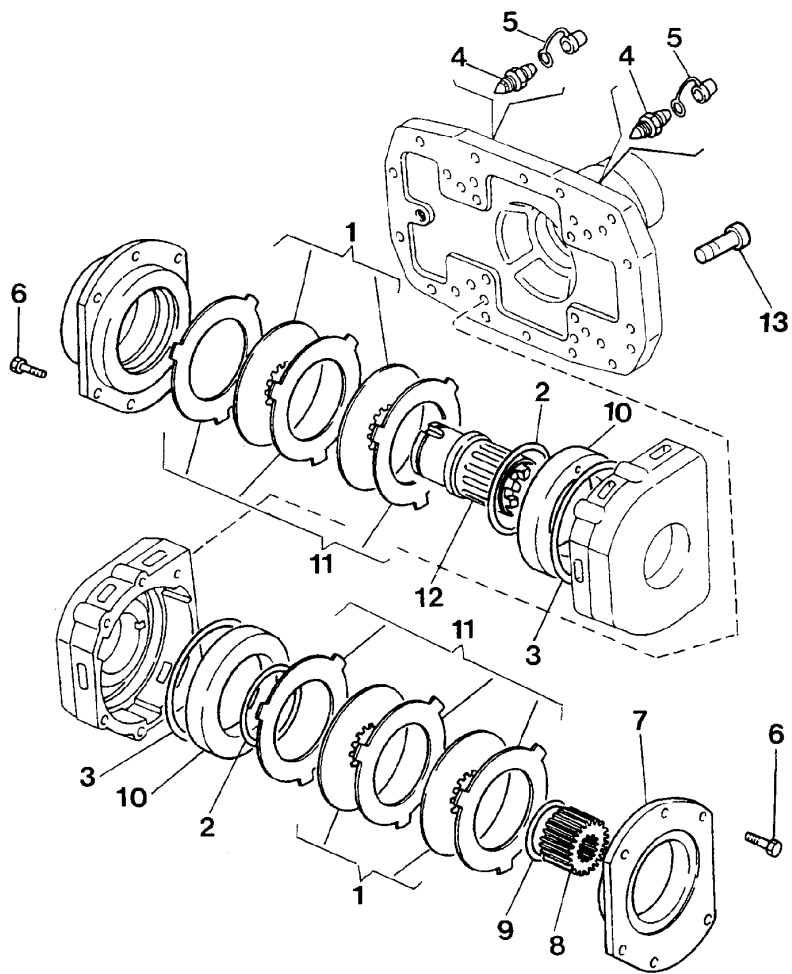
FRONT AXLE AND STEERING

**J-09**  
**39**

FRONT AXLE 4 WHEEL DRIVE - BRAKE - "SHERPA" MODEL

Globus 60

J0939



1	3429015M1	(X) 0.4.8.16 T-A 7:0	4	DISC
2	3427773M1	(X) 0.2.4.8 T-A 7:0	2	SEAL
3	3427682M1	(X) 0.2.4.8 T-A 7:0	2	RING
4	3427633M1	T-A 0:25	2	VALVE
5	3429083M1	T-A 0:25	2	GUARD
6	1440429X1		10	SCREW
7	3429390M1	T-A 7:0	1	COVER
8	3429010M1	T-A 7:0	1	SLEEVE
9	3429016X1	T-A 7:0	1	RING
10	3427774M1	T-A 7:0	2	PISTON
11	3427777M1	T-A 7:0	6	DISC

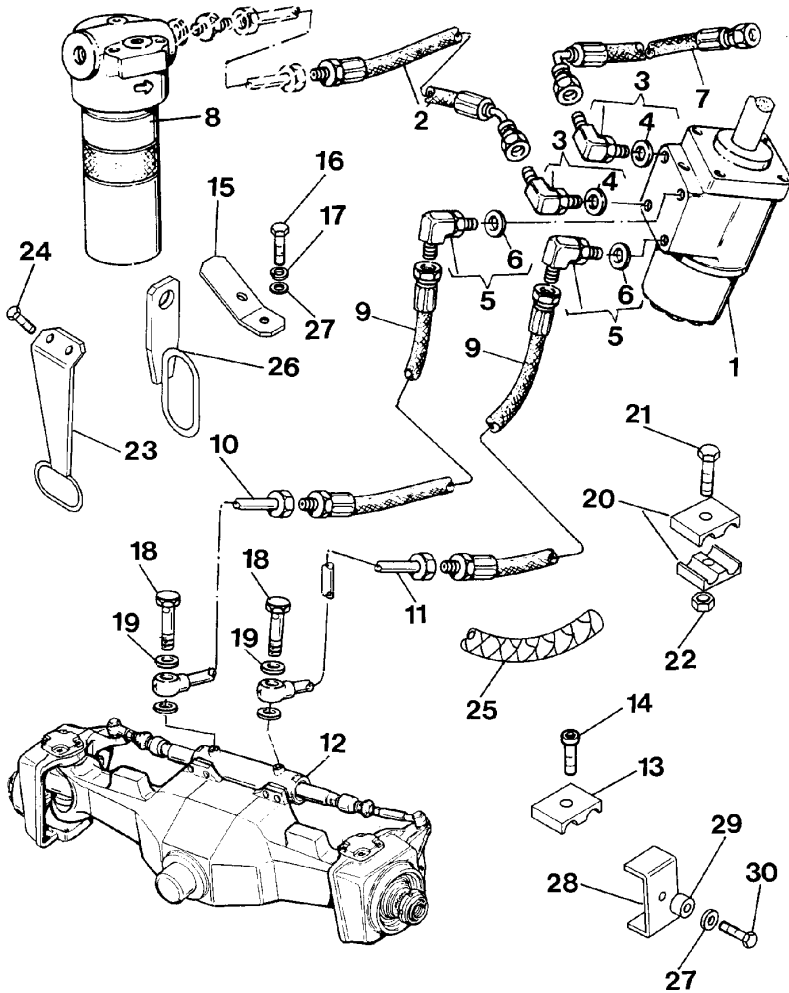
FRONT AXLE AND STEERING

J-09  
44

STEERING HYDRAULIC LINES - 4 WHEELS DRIVE

Globus 60

J0944



1	◇	J-09 48 1	1	DISTRIBUTOR
2	◇	J-09 44 8	1	PIPE
3		1426727M91 45^	2	ELBOW
		T-A 0:50		
4	!	831497M1 3	1	RING
		T-A 0:50		
5		3534573M91 45^	2	UNION
		T-A 0:50		
6	!	831497M1 5	1	RING
7		AN064101	1	HYDR HOSE
8	◇	J-09 46 1	1	FILTER
9	●	3556923M91 3654386M91 (2)	2	PIPE
		C		
		T-A 0:50		
9	●	3559759M92 3654387M92 (2)	2	PIPE
		T-A 0:50		
10	▶	3558590M91	1	PIPE
		T-A 0:50		
10	▶	3649941M91	1	PIPE
		C		
		T-A 0:50		
11	◀	3558591M91	1	PIPE
		T-A 0:50		
11	◀	3649942M91	1	PIPE
		C		
		T-A 0:50		

CLICK HERE TO **DOWNLOAD** THE COMPLETE MANUAL

- Thank you very much for reading the preview of the manual.
- You can download the complete manual from: [www.heydownloads.com](http://www.heydownloads.com) by clicking the link below



- Please note: If there is no response to CLICKING the link, please download this PDF first and then click on it.

CLICK HERE TO **DOWNLOAD** THE COMPLETE MANUAL

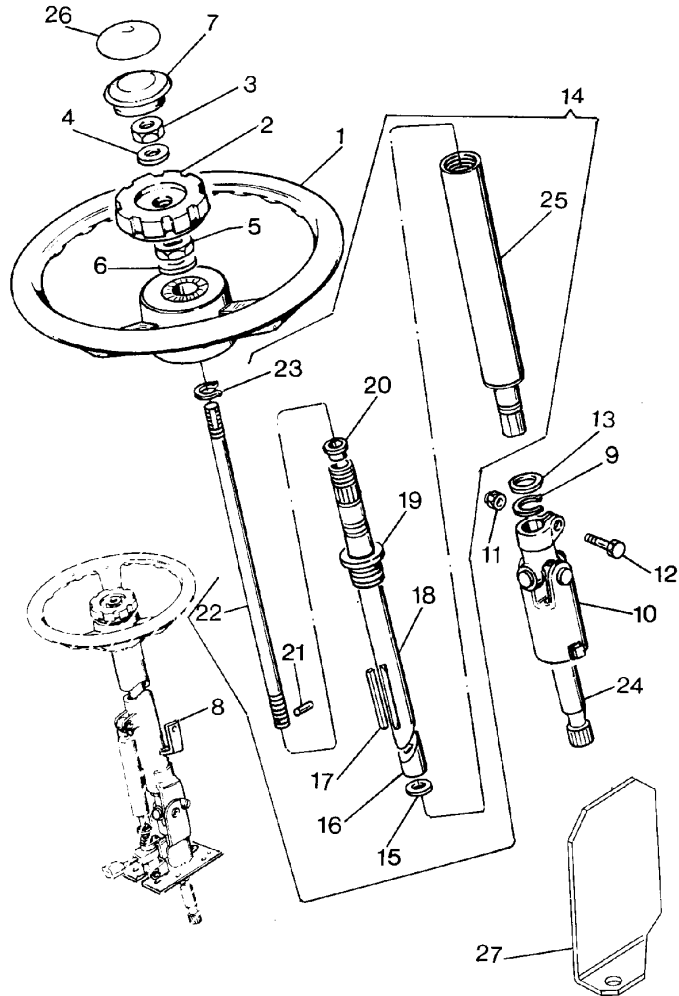
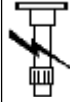
FRONT AXLE AND STEERING

J-09  
48

STEERING ADJUSTABLE - STEERING WHEEL AND COLUMN

Globus 60

J0948



- |   |            |   |                |   |             |
|---|------------|---|----------------|---|-------------|
| 1 | 3554344M91 | ⌋ | T-A 0:25       | 1 | STEERING W  |
| 1 | 3556522M91 | ● | 3554344M92 (1) | 1 | STEERING W  |
|   |            | ⌋ | T-A 0:25       |   |             |
| 2 | 3554345M93 |   | T-A 0:25       | 1 | KNOB        |
| 3 | 339169X1   | ● | 394367X1 (1)   | 1 | NUT         |
|   |            | ▲ | T-A 0:50       |   |             |
| 3 | 392309X1   | ▼ | T-A 0:50       | 1 | NUT         |
| 4 | 391025X1   |   | T-A 0:50       | 1 | LOCK WASHER |
| 5 | 339617X1   |   | M18            | 1 | NUT         |
| 6 | 1440317X1  |   | T-A 0:50       | 1 | LOCK WASHER |
| 7 | 3554348M1  |   | T-A 0:50       | 1 | COVER       |
| 8 | 3648712M91 | ● | 3650384M93 (1) | 1 | COLUMN      |
|   |            |   | B              |   |             |
|   |            |   | C              |   |             |
|   |            |   | T-A 1:25       |   |             |

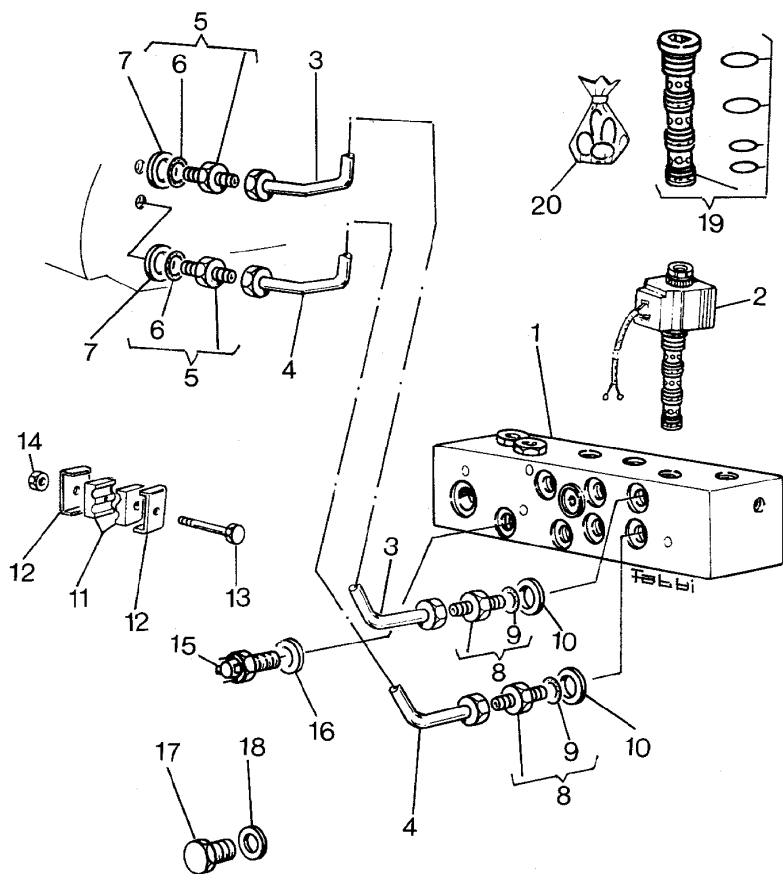
HYDRAULICS AND LINKAGE

P-42  
02

TRANSMISSION OIL PIPE - FOUR WHEEL DRIVE

Globus 60

P4202



- 19 3647909M91 B 1 PLUG
- 20 ! 19 1 KIT
- ! REF.N.19
- ! THIS IS A COMPONENT OF AN ASSEMBLY
- ! NOT SERVICED, ORDER
- A WITH HYDRAULIC DUAL CLUTCH
- B 1 SPEED
- B WITH HYDRAULIC SINGLE CLUTCH
- C WITH MECANICS TRANSMISSION "DT"
- T-A Replacement

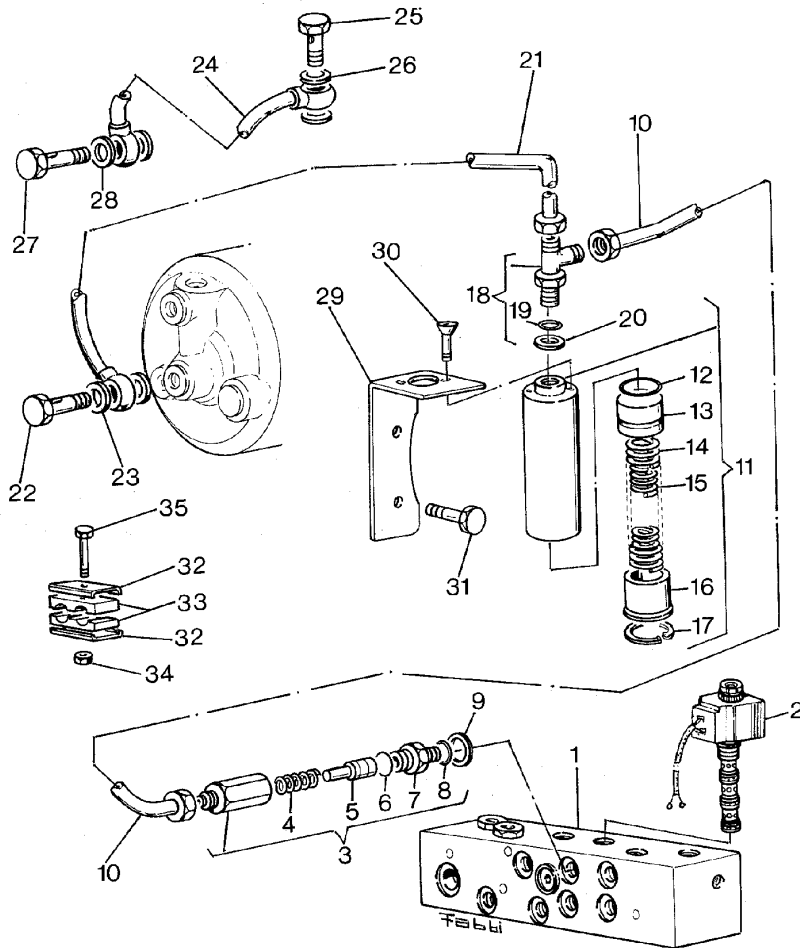
HYDRAULICS AND LINKAGE

P-42  
06

INDEPENDANT POWER TAKE OFF - SHAFT- CLUTCH AND CONTROL

Globus 60

P4206



25	3557298M1		1 UNION
		T-A 0:25	
26	3557300M1		1 WASHER
		T-A 0:25	
27	392397X1		1 UNION
		T-A 0:25	
28	3554591M1		1 GASKET
		T-A 0:25	
29	3555201M1		1 SUPPORT
		T-A 0:25	
30	1441267X1		1 SCREW
31	391375X1		1 SCREW
32	36511123	● 733869M1 (6)	6 PLATE
		C	
		T-A 0:25	
33	1425980M1	C	6 STIRRUP
		T-A 0:25	
34	390995X1	C	3 NUT
		T-A 0:25	
35	391883X1	C	3 BOLT
		T-A	
!	THIS IS A COMPONENT OF AN ASSEMBLY		
◇	SEE PAGE - REFERENCE NUMBER		
☞	NOT SERVICED, ORDER		
C	540/750/1000 R.P.M.		
T-A	Replacement		

HYDRAULICS AND LINKAGE

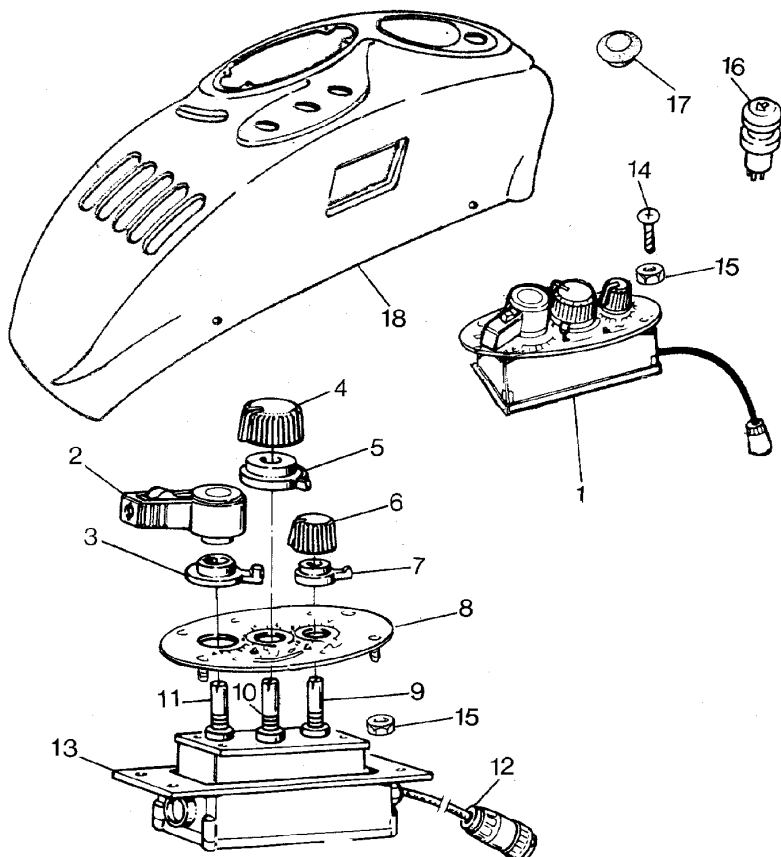
P-42  
12

ELECTRONIC LIFT - "CONSOLE"

Globus 60



P4212



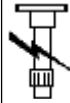
1	3559594M91	●	3551949M91 (1) 3559653M94 (1)	1	PANEL
2	3540508M1	●	T-A 1:0 3540006M91 (1)	1	LEVER
3	3540007M1	!	1 T-A 0:25	1	RING
4	3540005M1	!	1 T-A 0:25	1	KNOB
5	3540004M1	!	1 T-A 0:25	1	RING
6	3540003M1	!	1 T-A 0:25	1	KNOB
7	3540002M1	!	1 T-A 0:25	1	RING
8	3559593M91	●	3559593M94 (1)	1	PLATE
8	3559653M94	!	T-A 0:25 1	1	PLATE
9	3540371M1	!	T-A 0:25 1 (X) 0.1.2.4 T-A 0:25	1	POTENTIOMETE R

HYDRAULICS AND LINKAGE

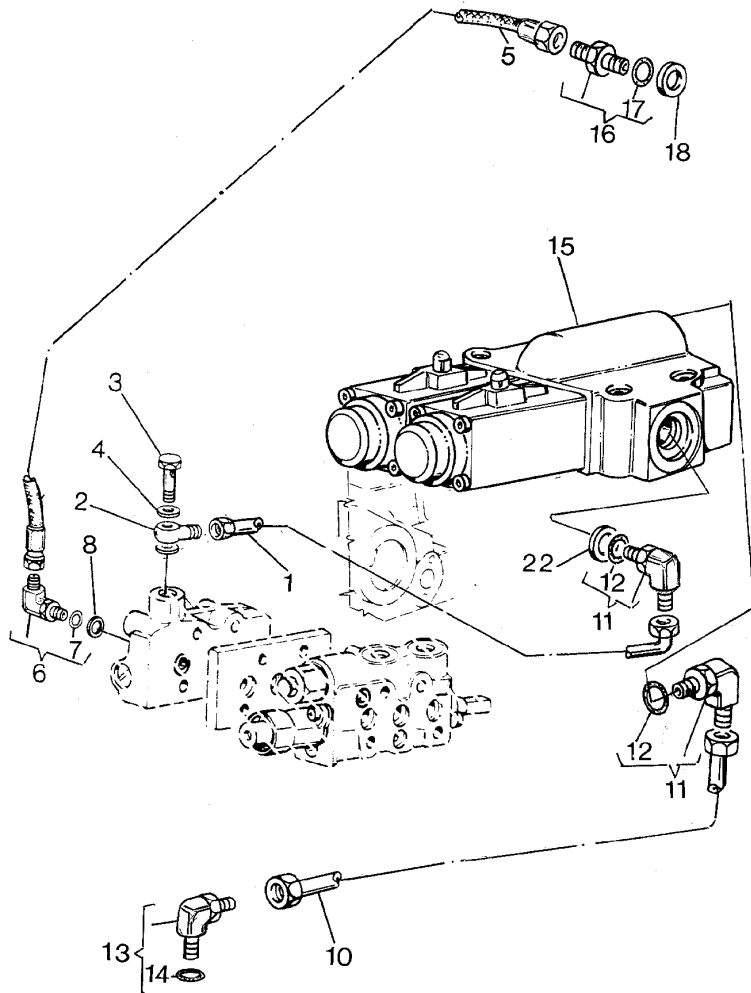
**P-42**  
**18**

HYDRAULICS EQUIPMENT - "PIPING AND PUMP" - ELECTRONIC DISTRIBUTOR

Globus 60



P4218



- |     |   |                                    |   |             |
|-----|---|------------------------------------|---|-------------|
| 15  | ⊕ | P-42 20                            | 1 | DISTRIBUTOR |
| 16  | ➔ | 3300775M93                         | 1 | UNION       |
|     |   | .....                              |   | T-A 0:25    |
| 16  | ➔ | 3306703M91                         | 1 | UNION       |
|     |   | .....                              |   | T-A 0:25    |
| 17  | ! | 3015165X1                          | 1 | O RING      |
| 18  |   | 3548879M1                          | 1 | WASHER      |
| !   |   | THIS IS A COMPONENT OF AN ASSEMBLY |   |             |
| ➔   |   | FROM SERIAL OR ENGINE NUMBER       |   |             |
| ➔   |   | UP TO SERIAL OR ENGINE NUMBER      |   |             |
| ⊕   |   | SEE PAGE - REFERENCE NUMBER        |   |             |
| T-A |   | Replacement                        |   |             |

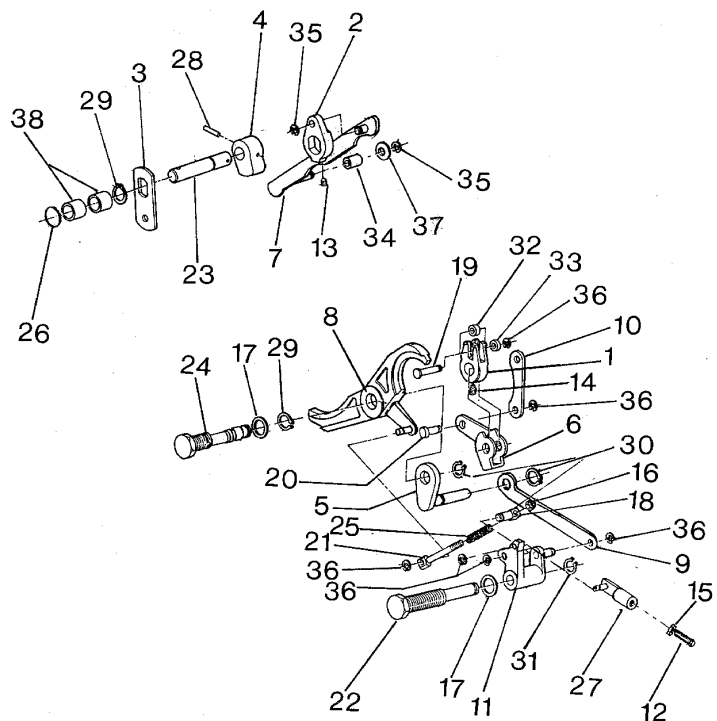
HYDRAULICS AND LINKAGE

P-42  
23

MECHANISM CONTROL LIFT - DRAFT , POSITION AND INTERMIX - INTERNAL DRIVING LEVER AND FORK

Globus 60

P4223



13	3009709X1		1	SCREW
14	3009711X1		1	SCREW
15	1440086X1		1	NUT
16	1441500X1		1	NUT
17	339526X1		1	WASHER
18	3541045M1		1	PIN
19	3541085M1	T-A 5:25	1	PIN
20	3541086M1	T-A 5:25	1	PIN
21	3541046M1	T-A 5:25	1	PIN
22	3541047M1	T-A 5:25	1	PIN
23	3541048M1	T-A 0:25	1	PIN
24	3541049M1	T-A 5:25	1	PIN
25	3541050M1	T-A 0:25	1	SPRING
26	3019915X1	T-A 5:25	1	O RING
27	3541051M91	T-A 5:25	1	PIN

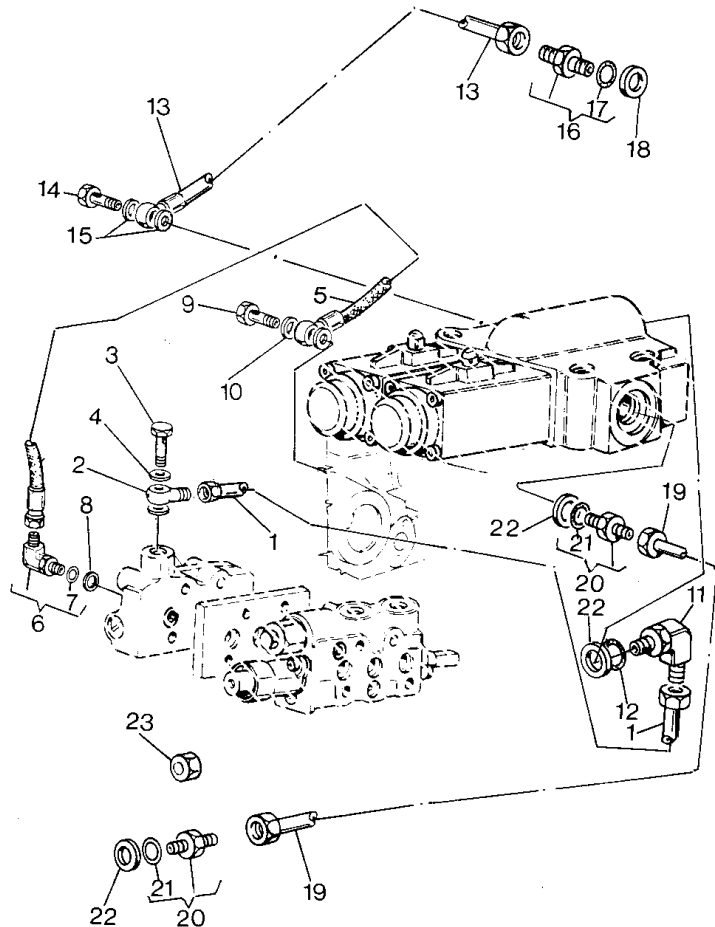
HYDRAULICS AND LINKAGE

P-42  
29

HYDRAULICS EQUIPMENT - "PIPING AND PUMP" - "WITH MECANICS RISER"

Globus 60

P4229



13	3656119M91	▶	.....	1	PIPE
			T-A 0:25		
14	3553651M1		T-A 0:25	1	UNION
15	3554594M1		T-A 0:25	2	WASHER
16	3300775M93	▶	.....	1	UNION
			T-A 0:25		
16	3306703M91	▶	.....	1	UNION
			T-A 0:25		
17	3015165X1	!	16	1	O RING
			T-A 0:25		
18	3548879M1		T-A 0:25	1	WASHER
19	3557254M91		T-A 0:25	1	PIPE
20	3532824M91	●	3532824M92 (2)	2	UNION
			T-A 0:25		
21	3015163X1	!	20	1	O RING
			T-A 0:25		
22	1425358M2		T-A 0:25	2	WASHER

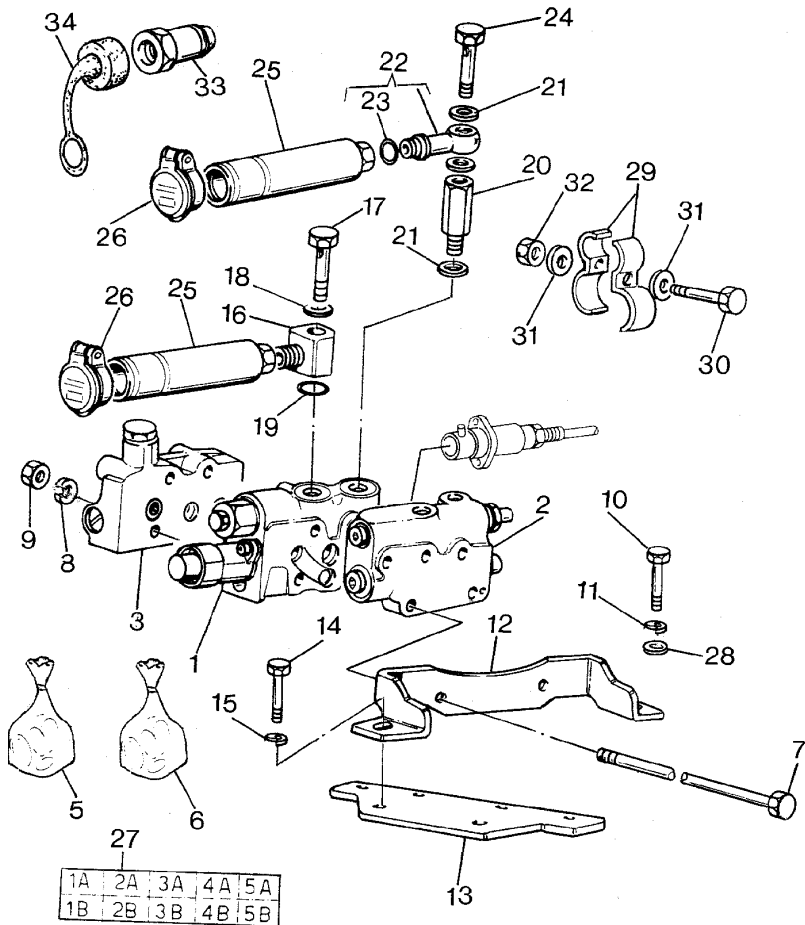
HYDRAULICS AND LINKAGE

P-42  
33

AUXILIARY HYDRAULIC VALVE LINES -

Globus 60

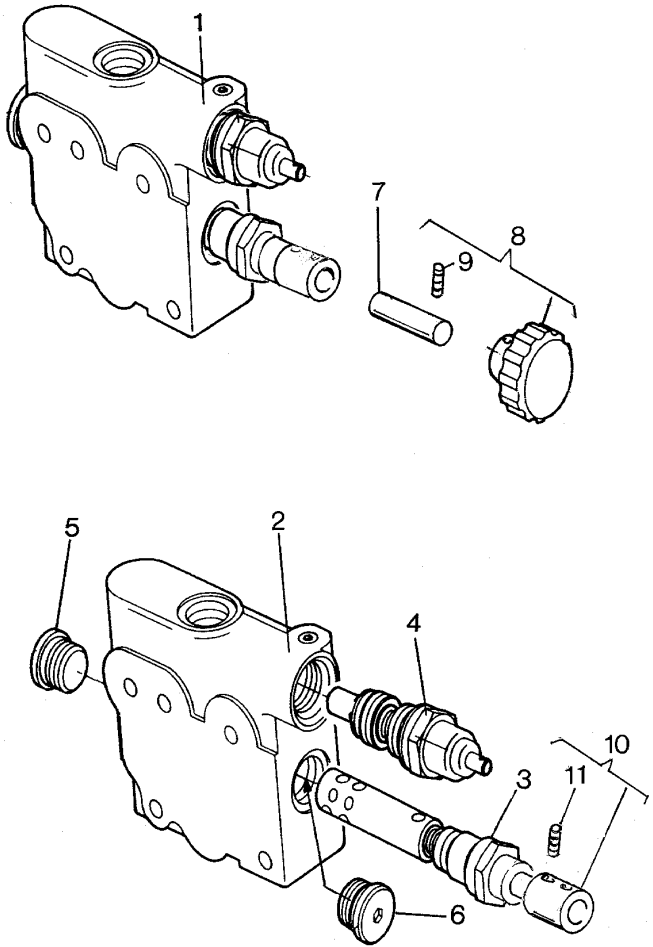
P4233



- 33 3304415M91 2 UNION
- T-A 0:25
- 34 3304008M1 2 PLUG
- ! THIS IS A COMPONENT OF AN ASSEMBLY
- ☞ SEE PAGE - REFERENCE NUMBER
- A FLOW DIVIDER SLICE SIMPLE AND DOUBLE ACTION
- B WITHOUT HYDRAULIC PIPING FRONT AUXILIARY
- T-A Replacement
- (X) QTY PER TRACTORS SOLD (AA.BBB.CCC.DDD) (AA) FOR  
1,(BBB) 2-10 (CCC) 11-25 (DDD) 26-50

Globus 60

P4236



1	3551495M92	A	1	PLATE
		T-A 0:75		
1	3551496M91	A	1	PLATE
		T-A 0:75		
2	!	1	1	BODY
	➡	REF.N.1		
3	3540329M91	!	1	VALVE
		A		
		T-A 0:75		
4	3540327M91	!	1	BULB
		T-A 0:75		
5	!	1	1	PLUG
	➡	REF.N.1		
6	!	1	1	PLUG
	➡	REF.N.1		
		A		
7	3648125M1	A	1	PIN
		T-A 0:25		
8	3553134M91	A	1	KNOB
		T-A 0:25		
9	!	8	1	SCREW
	➡	REF.N.8		
10		A	1	BLOCK
		C		
11	3009328X1	!	10	2 SCREW
!	THIS IS A COMPONENT OF AN ASSEMBLY			
➡	NOT SERVICED, ORDER			
A	WITHOUT FLOW DIVIDER SLICE			
A	FLOW DIVIDER SLICE			
C	TO BE ADVISED			
T-A	Replacement			

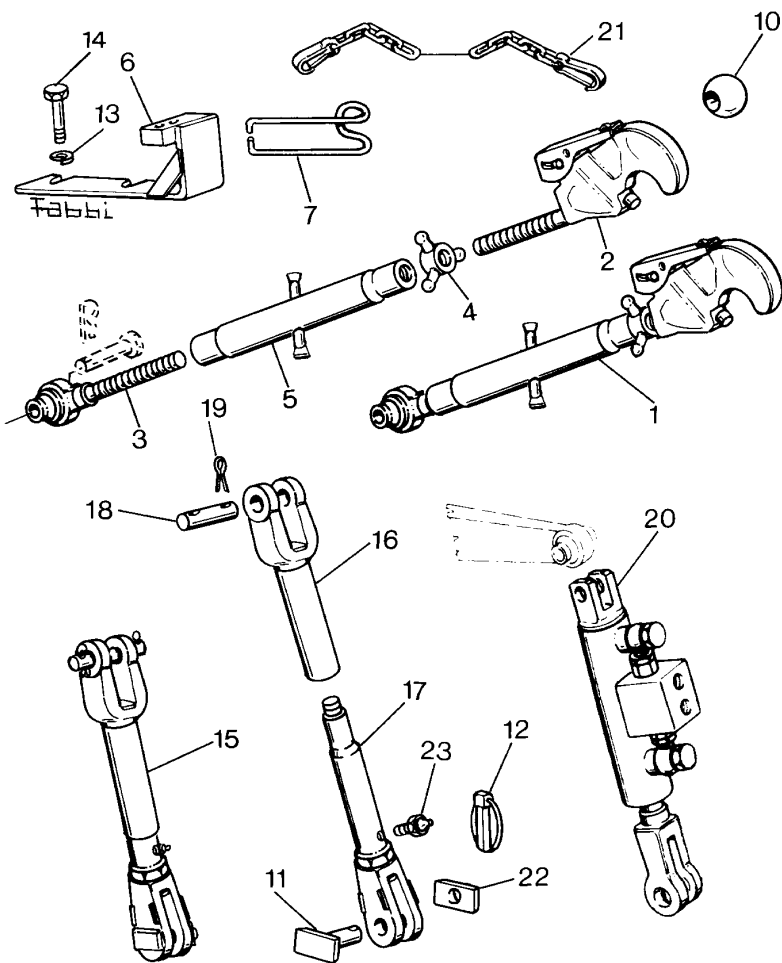
HYDRAULICS AND LINKAGE

P-42  
46

LINKAGE - "STRUT AND LINKAGE" - QUICK ATTACH

Globus 60

P4246



1	3557312M91		1	STRUT
		T-A 0:25		
2	!	1	1	HOOK
	⊕	P-42 50 1		
		A		
3	3557766M91	!	1	STRUT
		(X) 0.1.2.4		
		T-A 0:25		
4	1825401M1	!	1	NUT
5	3557768M91	!	1	SLEEVE
		T-A 0:25		
6	3558097M91	●	3650067M91 (1)	SUPPORT
		T-A 0:25		
7	1426070M1		1	HOOK
		(X) 0.0.1.4		
10	3557304M1	B	1	TOGGLE
		(X) 0.4.8.16		
		T-A 0:25		
10	3557305M1	C	1	TOGGLE
		(X) 0.4.8.16		
		T-A 0:25		
11	3557777M91	▼	1	PIN
12	3557779M91		1	DOWEL
		(X) 0.2.4.8		
13	390735X1		2	WASHER
14	3009505X1		2	BOLT
15	3557307M93	◀	1	ROD
		T-A 0:25		

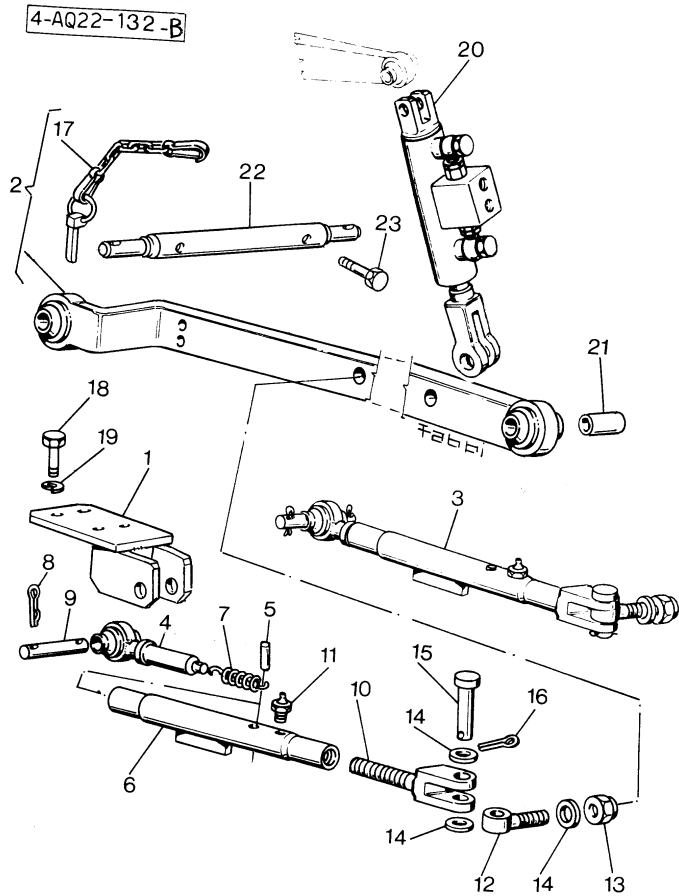
HYDRAULICS AND LINKAGE

P-42  
50

LINKAGE - "STRUT AND LINKAGE" - NORMAL DUTY STD

Globus 60

P4250



13	1441566X1	!	3	1	NUT
			T-A 0:25		
14	390975X1	!	3	2	WASHER
			T-A 0:25		
15	3307057M1	!	3	1	PIN
16	974303M1	!	3	2	SPRING
17		!	2	2	PIN
			C		
18	391934X1			8	SCREW
19	1440315X1			8	LOCK WASHER
20		⊕	P-42 33 1	1	ROD

			▲		
21	3557316M1		A	2	BUSH
			B		
			T-A 0:25		
22	3558237M1			1	PIN
			T-A 0:50		
23	391375X1			2	SCREW
!	THIS IS A COMPONENT OF AN ASSEMBLY				
⊕	SEE PAGE - REFERENCE NUMBER				
A	FOR DETAIL SEE PAGE APPROPRIATE				
B	FOR CAT I'A				
C	TO BE ADVISED				
F	WITH MECANICS RISER				
◀	LEFT HAND				
▶	RIGHT HAND				
T-A	Replacement				
(X)	QTY PER TRACTORS SOLD (AA.BBB.CCC.DDD) (AA) FOR 1,(BBB) 2-10 (CCC) 11-25 (DDD) 26-50				

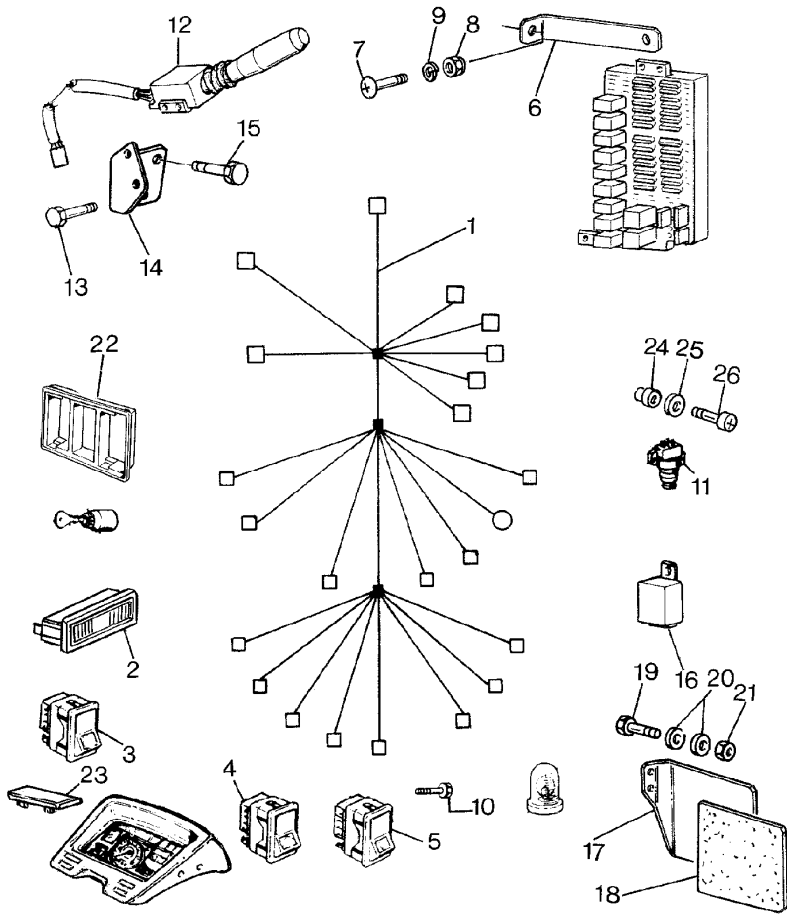
LIGHTING EQUIPMENT

D-00  
03

ELECTRONIC HARNESS - INSTRUMENT PANEL

Globus 60

D0003



- |    |                           |                    |
|----|---------------------------|--------------------|
| 1  | ⊕ D-00 02 1               | 1 KIT              |
| 2  | 3534845M1                 | 1 PLUG             |
| 3  | 3559544M91                | 1 SWITCH,IND       |
| 4  | T-A 0:25<br>B             | 1 SWITCH,IND       |
| 4  | T-A 0:25<br>F<br>AU644008 | 2 SWITCH,IND       |
| 4  | ⊕ U-47 28 8<br>D          | 1 SWITCH,IND       |
| 5  | 3534590M91                | 1 SWITCH,IND       |
| 5  | T-A 0:25<br>C             | 1 SWITCH,IND       |
| 5  | 3559608M91                | 1 SWITCH,IND       |
| 5  | T-A 0:25<br>E             | 1 SWITCH,IND       |
| 6  | 3649460M1                 | 2 STIRRUP          |
| 7  | 339563X1                  | 2 SCREW            |
| 8  | 1441494X1                 | 2 NUT              |
| 9  | 3019560X1                 | 4 LOCK WASHER      |
| 10 | 3015082X1                 | 6 SCREW            |
| 11 | 3532018M91                | 2 SWITCH,IND       |
|    | (X) 0.1.2.4<br>T-A 0:25   |                    |
| 12 | 3554816M92                | 1 SWITCH,IND       |
|    | (X) 0.0.1.2<br>T-A 0:25   |                    |
| 12 | 3647303M92                | 1 CHANGE<br>DEVICE |
|    | H<br>L<br>T-A 0:25        |                    |

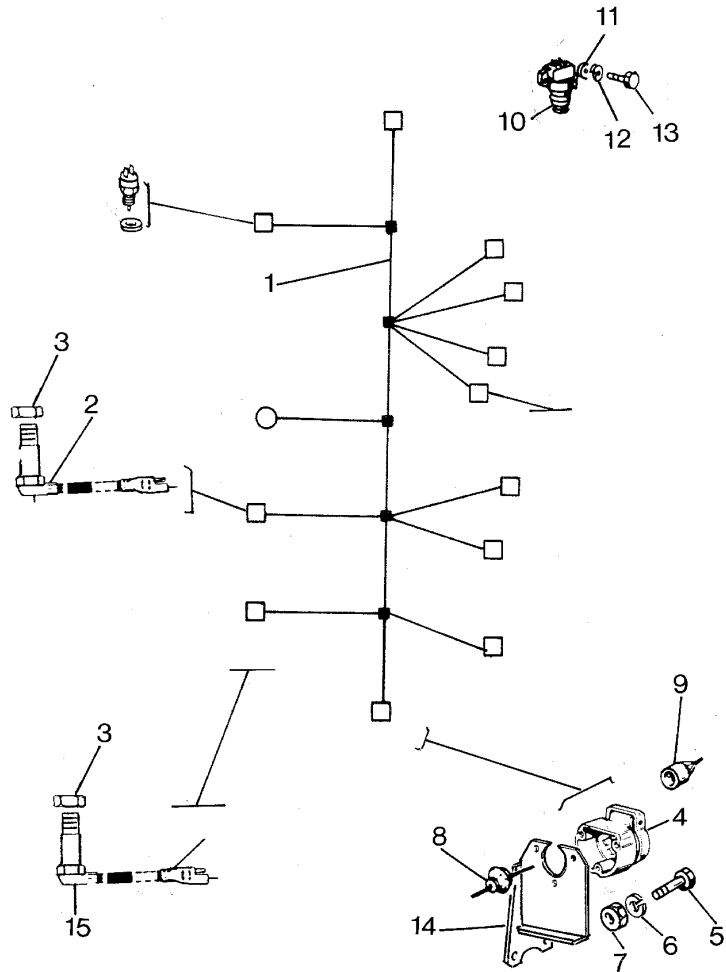
LIGHTING EQUIPMENT

D-00  
07

ELECTRICAL WIRING - REAR

Globus 60

D0007



- |     |  |             |   |             |
|-----|--|-------------|---|-------------|
| 11  | 390468X1   |             | 2 | LOCK WASHER |
|     |  | T-A 0:25    |   |             |
| 12  | 339382X1   |             | 2 | WASHER      |
|     |  | T-A 0:25    |   |             |
| 13  | 3009533X1  |             | 2 | SCREW       |
|     |  | T-A 0:25    |   |             |
| 14  | 3557655M92   |             | 1 | SUPPORT     |
|     |  | T-A 0:25    |   |             |
| 14  | 3649290M91   |             | 1 | SUPPORT     |
|     |  | T-A 0:25    |   |             |
| 15  | 3647166M91   |             | 1 | SENSOR      |
|     |  | C           |   |             |
|     |  | (X) 0.0.1.2 |   |             |
|     |  | T-A 0:25    |   |             |
| C   | FOR TRACTOR "N.A.O." VERSION   |             |   |             |
| C   | WITH DIGITAL INSTRUMENT  |             |   |             |
| C   | FOR TRACTOR "TOP" VERSION  |             |   |             |
| D   | FOR TRACTOR DESP. "TECHNO" VERSION   |             |   |             |
| T-A | Replacement  |             |   |             |
| (X) | QTY PER TRACTORS SOLD (AA.BBB.CCC.DDD) (AA) FOR 1,(BBB) 2-10 (CCC) 11-25 (DDD) 26-50 |             |   |             |

LIGHTING EQUIPMENT

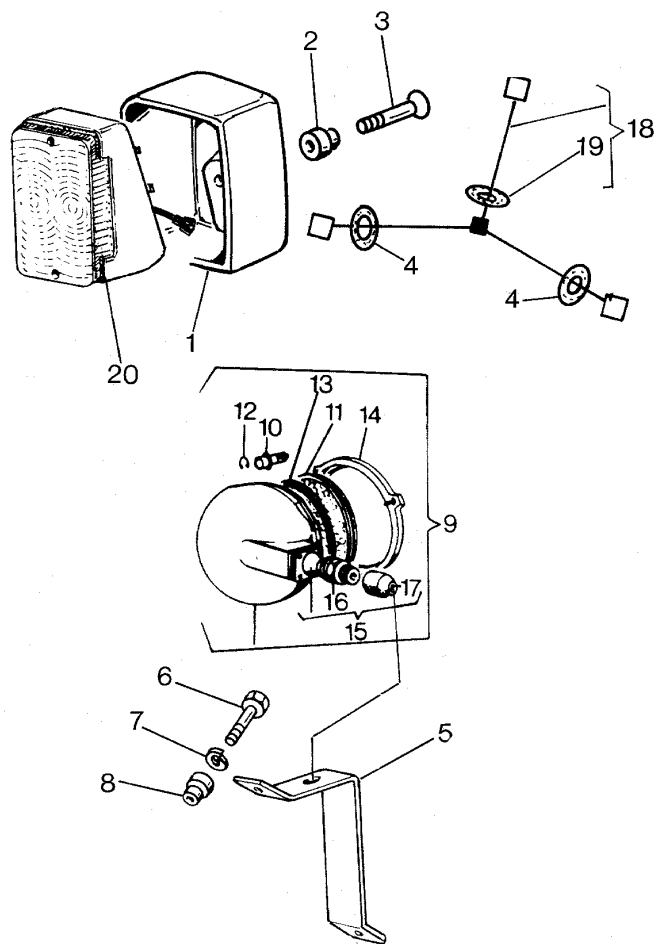
D-00  
10

LIGHTING EQUIPMENT - ONLY FOR TRACTORS WITHOUT CAB

Globus 60



D0010



- 26 3653945M1 ! 21 1 GLASS
- ▶ N.I.
- ! THIS IS A COMPONENT OF AN ASSEMBLY
- ▶ NOT SERVICED, ORDER
- A WORKING REAR LIGHT
- B DELIVERY FRONT HEADLAMP
- C FOR TRACTOR "N.A.O." VERSION
- ◀ LEFT HAND
- ▶ RIGHT HAND
- T-A Replacement
- (X) QTY PER TRACTORS SOLD (AA.BBB.CCC.DDD) (AA) FOR 1,(BBB) 2-10 (CCC) 11-25 (DDD) 26-50

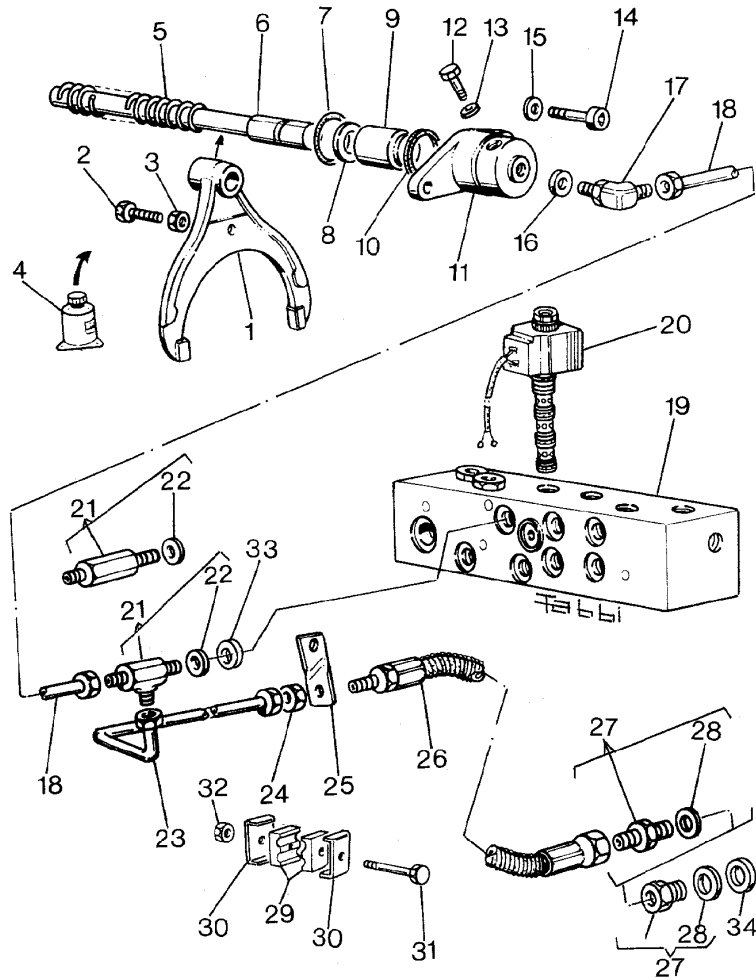
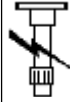
REAR AXLE AND REAR BRAKES

G-40  
06

DIFFERENTIAL LOCK CONTROLS - REAR AND FRONT - FOR TRACTOR "TOP" VERSION

Globus 60

G4006



- |    |           |                 |     |          |
|----|-----------|-----------------|-----|----------|
| 1  | 3537123M1 |                 | 1   | YOKE     |
| 2  | 391176X1  | T-A 5:0         | 1   | BOLT     |
| 3  | 339169X1  | ● 394367X1 (1)  | 1   | NUT      |
| 4  | 1427801M1 | ● 1427801M2 (1) | 1   | LOCTITE  |
| 5  | 973939M1  | T-A 5:0         | 1   | SPRING   |
| 6  | 3554152M1 | T-A 5:0         | 1   | ROD      |
| 7  | 366124X1  | T-A 5:0         | 1   | RING     |
| 8  | 339574X1  | T-A 5:0         | 999 | WASHER   |
| 9  | 3554154M1 | T-A 0:50        | 1   | PISTON   |
| 10 | 3015038X1 | T-A 0:50        | 1   | RING     |
| 11 | 3554153M1 | T-A 0:50        | 1   | CYLINDER |
| 12 | 392890X1  |                 | 1   | SCREW    |
| 13 | 1442416X1 |                 | 1   | GASKET   |
| 14 | 3009292X1 |                 | 2   | SCREW    |
| 15 | 390734X1  |                 | 2   | WASHER   |
| 16 | 3548877M1 |                 | 1   | WASHER   |

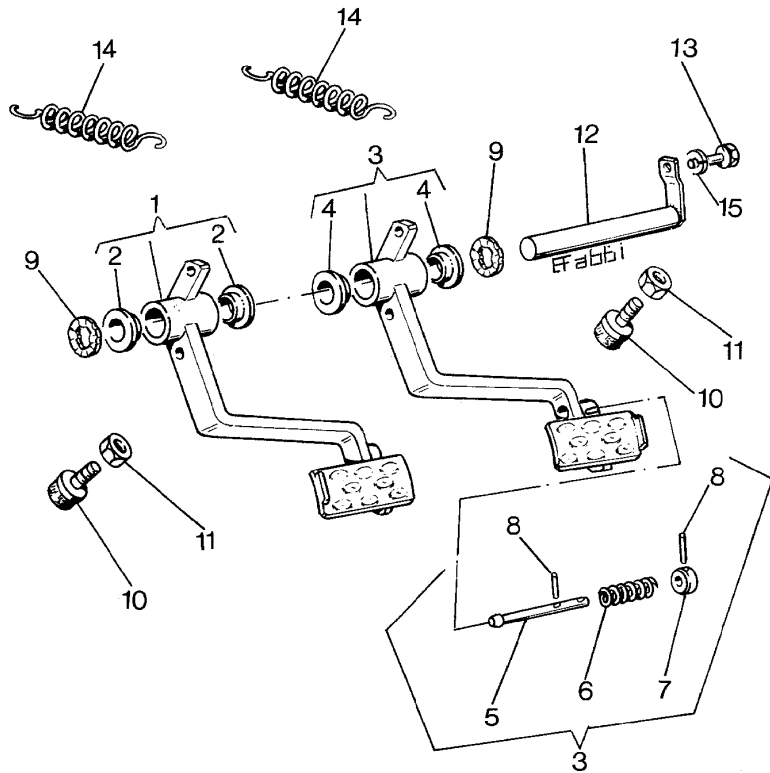
REAR AXLE AND REAR BRAKES

G-40  
08

BRAKES - PEDALS AND LINKAGE

Globus 60

G4008



1	3557792M94	◀	T-A 1:0	1	PEDAL
2	3547079M1	!	1	2	BUSH
			T-A 1:0		
3	3557793M94	▶	T-A 1:0	1	PEDAL
4	3547079M1	!	3	2	BUSH
			T-A 1:0		
5	3556026M2	!	3	1	PIN
6	3555748M1	!	3	1	SPRING
			T-A 0:25		
7	3557171M1	!	3	1	KNOB
8	1441730X1	!	3	2	DOWEL
9	3546309M1	➔	31/03/97	2	SPRING
10	3300178M93			2	PAD
11	392483X1			2	NUT
12	3553771M91	●	3553771M92 (1)	1	PIN
13	339666X1			1	SCREW
14	3558078M1			2	SPRING

- T-A 0:25
- ! THIS IS A COMPONENT OF AN ASSEMBLY
- ➔ UP TO SERIAL OR ENGINE NUMBER
- ◀ LEFT HAND
- ▶ RIGHT HAND
- T-A Replacement

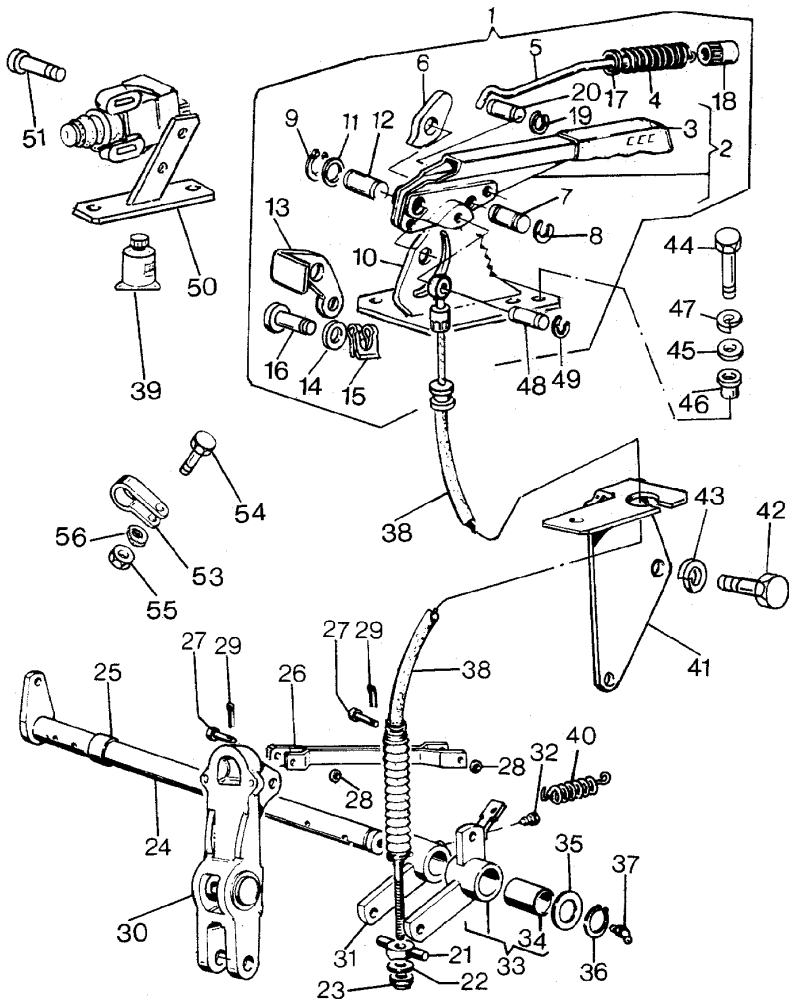
REAR AXLE AND REAR BRAKES

G-40  
12

BRAKES - "HANDBRAKE"

Globus 60

G4012



34	1423482M1	!	33	1	BUSH
			T-A 0:25		
35	1423609M1			1	SHIM
36	392758X1			1	RING
37	391335X1			2	GREASER
38	3553671M91	●	3553671M93 (1)	1	CABLE
39	1427801M1	●	1427801M2 (1)	1	LOCTITE
40	1425298M1			1	SPRING
			T-A 0:25		
41	3554847M3			1	SUPPORT
			T-A 0:25		
42	3009493X1	◀▶	30MM	1	SCREW
42	339401X1	◀▶	25MM	1	SCREW
43	1440314X1			2	LOCK WASHER
44	339009X1			4	SCREW
45	390972X1			4	WASHER
46	3556301M1			4	RIVET
47	339374X1			4	LOCK WASHER
48	3532907M2			1	PIN
49	1441923X1			2	RING
50	3549840M1			1	SUPPORT
			T-A 0:25		
51	3009531X1			2	SCREW
52	973162M1	●	1440731X1 (1)	1	PLUG
53	3539014M91			1	CLAMP
54	3009288X1			1	SCREW
55	394367X1			1	NUT

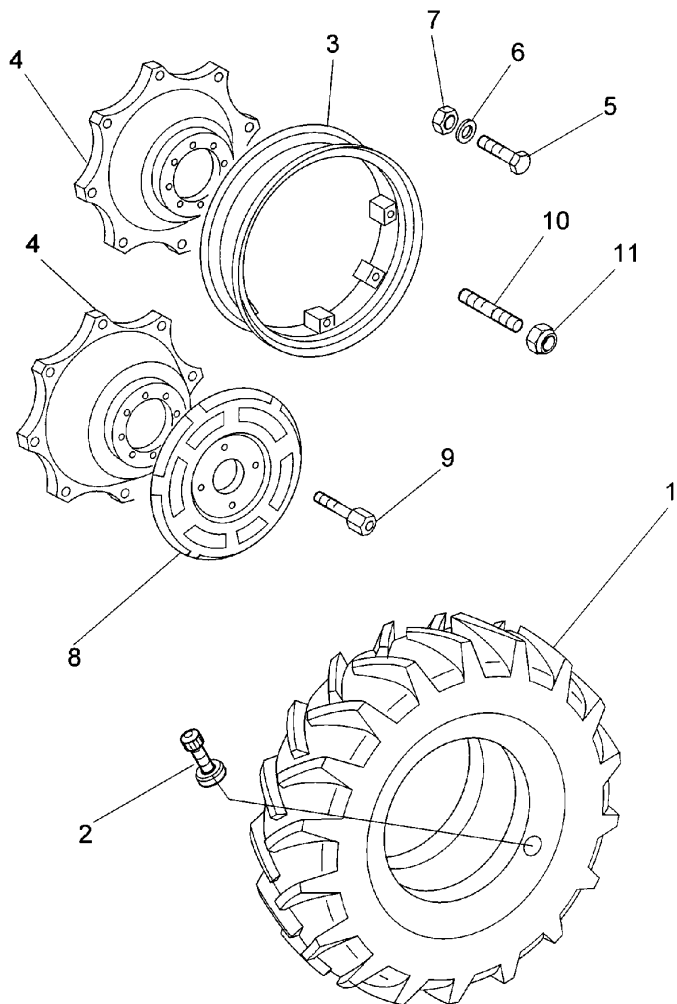
REAR AXLE AND REAR BRAKES

**G-40**  
**15**

REAR WHEELS - HOOPS AND TYRES

Globus 60

G4015



9	3536738M2	M	8	PIN
9	3536738M2	G	16	PIN
10	1434760M1	A	16	STUD
11	3384600M2	A	16	NUT
!	THIS IS A COMPONENT OF AN ASSEMBLY			
A	WITH SHEET METAL DISCS			
A	FOR USE WITH 14.9 R28 "TBL"			
C	FOR USE WITH 14.9 R30 "TBL"			
D	FOR USE WITH 420/70 R28 "TBL"			
E	FOR USE WITH 12.4 R32 "TBL"			
G	WITH "4 WEIGHTS"			
I	FOR USE WITH 420/70 R24 "TBL"			
I	FOR USE WITH 380/70 R28 "TBL"			
L	FOR USE WITH 420/70 R30 "TBL"			
M	WITH "2 WEIGHTS"			
N	FOR USE WITH 13.6 R28 "TBL"			
T-A	Replacement			

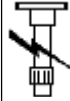
SHEET METAL

R-20  
03

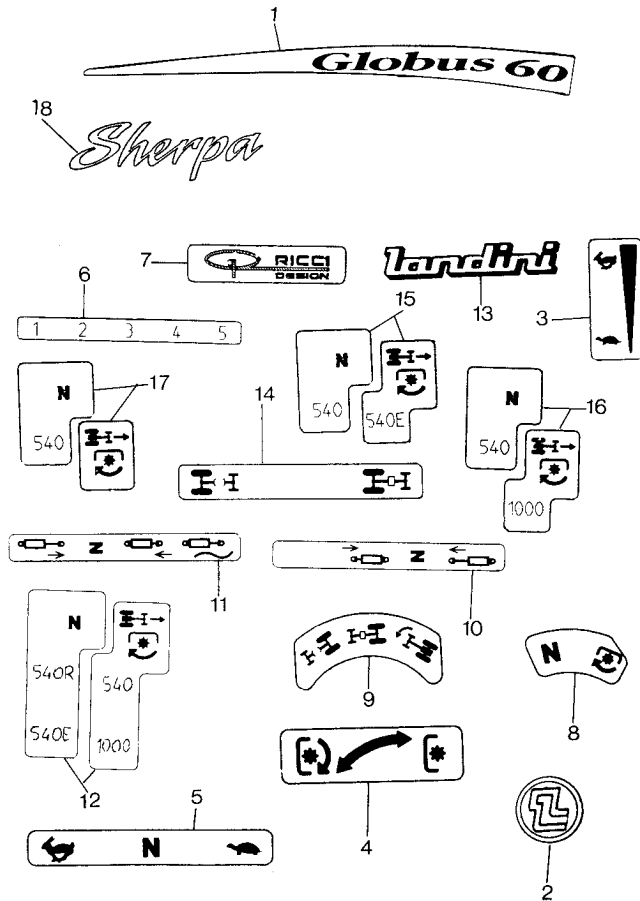
DECALS

Globus 60

R2003



4-AR11-269-B



8	3558961M1		1	DECAL
9	3558962M1	T-A 0:25	1	DECAL
10	3558968M1	T-A 0:25	1	DECAL
11	3558969M1	T-A 0:25	1	DECAL
12	3647419M1	T-A 0:25	1	DECAL
13	3652423M1	T-A 0:25	1	DECAL
14	3559578M1	T-A 0:25	1	DECAL
15	3647028M1	T-A 0:25	1	DECAL
16	3647029M1	● N.L.A. (1) T-A 0:25	1	DECAL
17	3647049M1	● N.L.A. (1) T-A 0:25	1	DECAL
18	3649496M1	● 3652417M1 (2) C T-A 0:25	2	DECAL
C		FOR TRACTOR "TOP" VERSION		
C		"SHERPA" MODEL		
D		FOR TRACTOR DESP. "TECHNO" VERSION		
◀		LEFT HAND		
▶		RIGHT HAND		
T-A		Replacement		

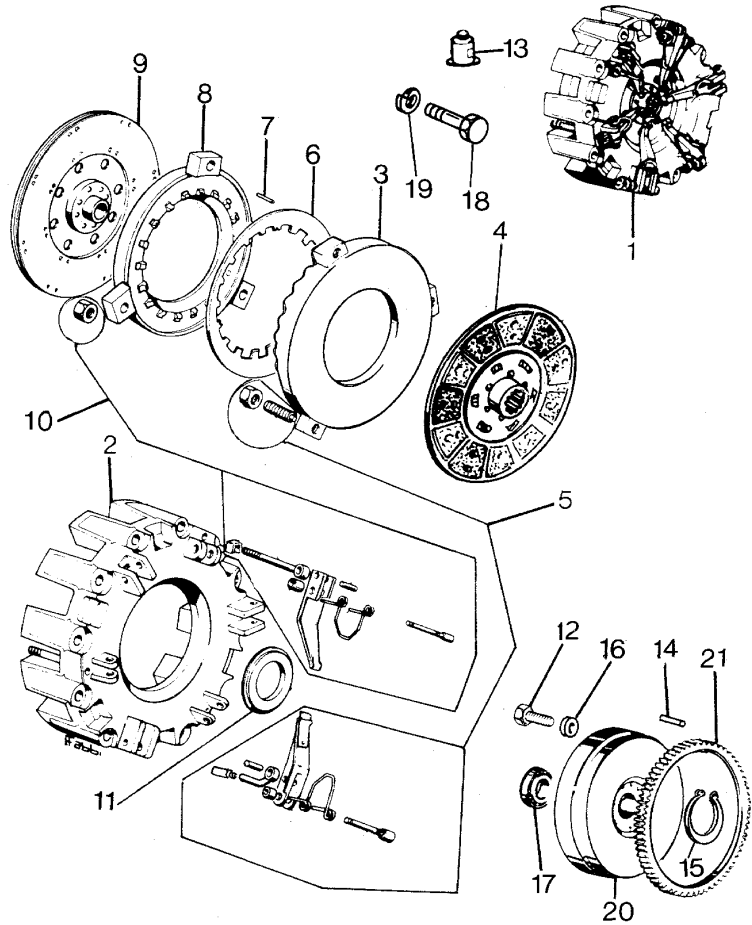
TRANSMISSION

E-04  
015

CLUTCH - DUAL CLUTCH "LUK" - 11"

Globus 60

E04015



11	3541095M1		1	RING
		T-A 5:0		
12	3015336X1		8	SCREW
13	1427801M1	● 1427801M2 (1)	1	LOCTITE
15	339657X1		1	RING
16	33117127		8	WASHER
17	3553632M91		1	BEARING
		T-A 5:25		
18	3015258X1		12	SCREW
19	339374X1		12	LOCK WASHER
20	3554422M1		1	FLYWHEEL
		T-A 5:25		
21	3555634M1		1	CROWNWHEEL
		T-A 5:75		

- ! THIS IS A COMPONENT OF AN ASSEMBLY
- ▶ NOT SERVICED, ORDER
- A ONLY WITH P.T.O. MECANICAL VERSION
- A FOR TRANSMISSION
- D FOR P.T.O.
- T-A Replacement
- (X) QTY PER TRACTORS SOLD (AA.BBB.CCC.DDD) (AA) FOR 1,(BBB) 2-10 (CCC) 11-25 (DDD) 26-50

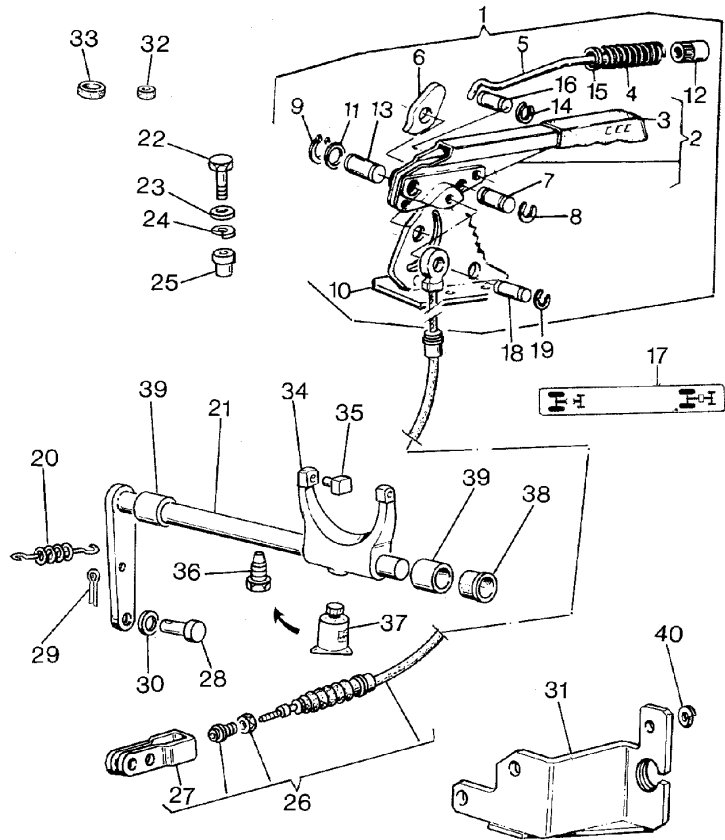
TRANSMISSION

E-04  
055

LOWER CLUTCH P.T.O.

Globus 60

E04055



14	1440522X1	!	1	2	RING
15	3547541M1	!	1	1	BUSH
16	3536963M1	!	1	1	PIN
			T-A 0:25		
17	3558943M1			1	DECAL
18	3532907M2			1	PIN
			T-A 0:25		
19	1441923X1			2	RING
20	3547066M1			1	SPRING
			(X) 0.1.2.4		
			T-A 0:25		
21	3558719M91			1	SHAFT
			T-A 5:25		
22	339337X1			4	SCREW
23	390972X1			4	WASHER
24	339374X1			4	LOCK WASHER
25	3556301M1			4	RIVET
26	3647210M91			1	CABLE
			(X) 0.1.2.4		
			T-A 0:50		
27	3304522M1	!	26	1	YOKE
			T-A 0:25		
28	975528M1			1	PIN
29	390446X1			1	LINCH PIN
30	390734X1			2	WASHER
31	3556767M91			1	STIRRUP
			T-A 0:25		

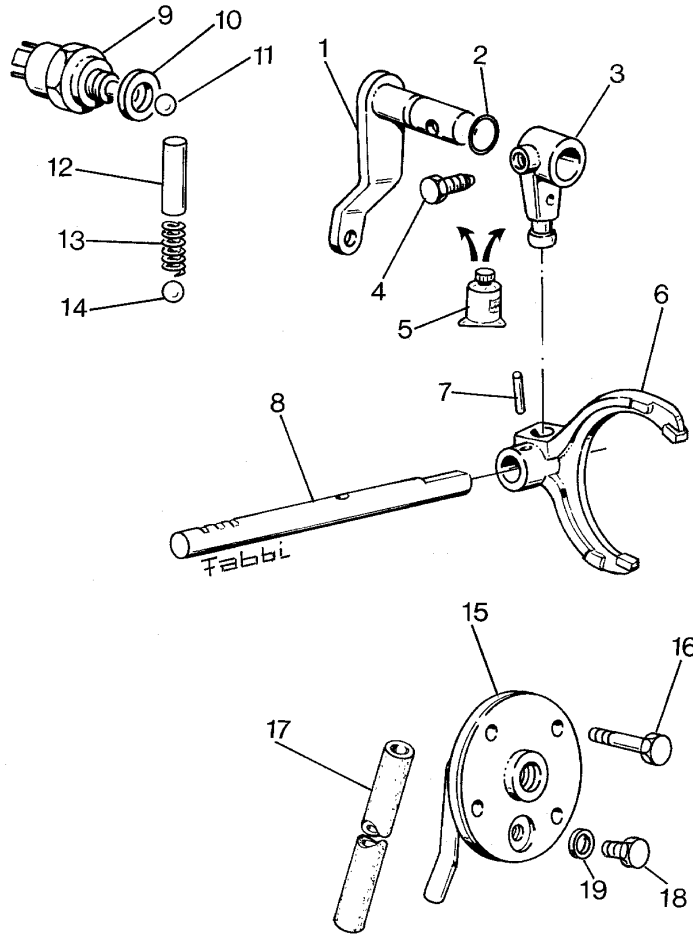
TRANSMISSION

E-04  
11

MANUAL SHUTTLE - CONTROL ROD - CONTROL

Globus 60

E0411



1	3556008M91		1	LEVER
		T-A 7:25		
2	3019914X1		1	O RING
		T-A 7:25		
3	3555966M1		1	LEVER
		T-A 7:25		
4	3546200M1		1	SCREW
5	3303219M1		1	LOCTITE
6	3555932M1		1	YOKE
		T-A 7:25		
7	1441736X1		1	DOWEL
8	3555951M1		1	ROD
		T-A 7:25		
9	3533170M91		1	SWITCH,IND
		(X) 0.1.2.4		
		T-A 0:25		
10	3004861X1		1	GASKET
		T-A 0:25		
11	361031X1		1	BALL
		T-A 0:25		
12	3556021M1		1	SPACER
		T-A 7:25		
13	3305061M1		1	SPRING
		T-A 7:25		

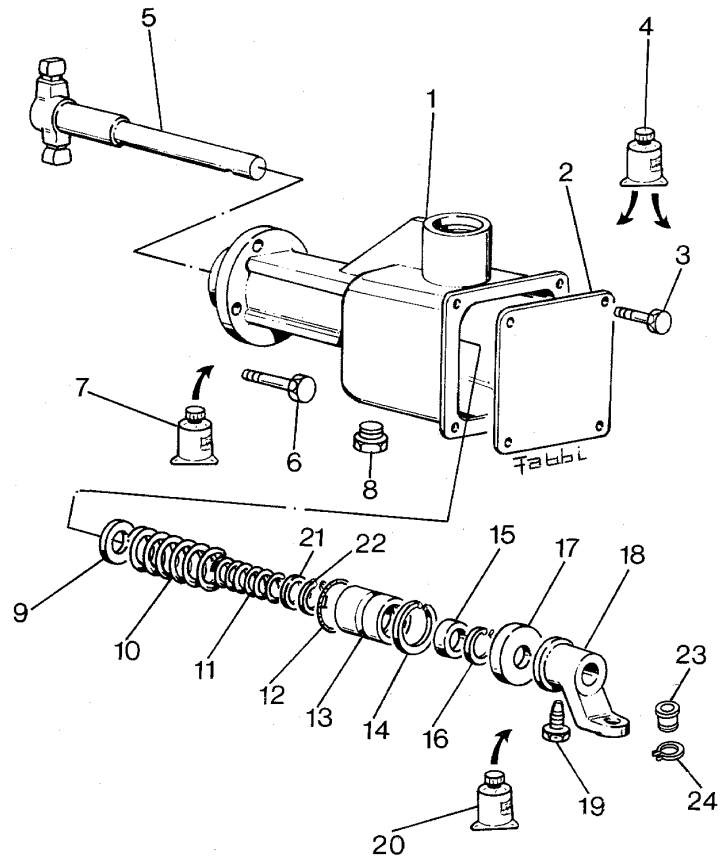
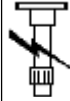
TRANSMISSION

E-04  
16

TRANSMISSION - SHIFT CONTROL - OUTSIDE

Globus 60

E0416



- |    |           |   |               |   |             |
|----|-----------|---|---------------|---|-------------|
| 1  | 3555702M1 | ● | 3650822M1 (1) | 1 | BOX         |
|    |           |   | 3650823M1 (1) |   |             |
|    |           |   | 3650824M1 (1) |   |             |
|    |           |   | T-A 1:25      |   |             |
| 2  | 3555701M1 |   | T-A 0:25      | 1 | COVER       |
| 3  | 391074X1  |   |               | 4 | SCREW       |
| 4  | 3536801M1 |   |               | 1 | LOCTITE     |
| 5  | 3555704M1 |   |               | 1 | LEVER       |
|    |           |   | T-A 1:25      |   |             |
| 6  | 339401X1  |   |               | 4 | SCREW       |
| 7  | 3308788M1 |   |               | 1 | LOCTITE     |
| 8  | 3015217X1 |   |               | 1 | PLUG        |
| 9  | 3304452M1 |   |               | 1 | LOCK WASHER |
|    |           |   | T-A 1:25      |   |             |
| 10 | 3556024M1 |   |               | 1 | SPRING      |
|    |           |   | T-A 1:25      |   |             |
| 11 | 3556025M1 |   |               | 1 | SPRING      |
|    |           |   | T-A 1:25      |   |             |
| 12 | 366434X1  |   |               | 1 | O RING      |
|    |           |   | T-A 1:25      |   |             |
| 13 | 3556489M1 |   |               | 1 | BUSH        |
|    |           |   | T-A 1:25      |   |             |
| 14 | 390936X1  |   |               | 1 | RING        |
|    |           |   | T-A 1:25      |   |             |

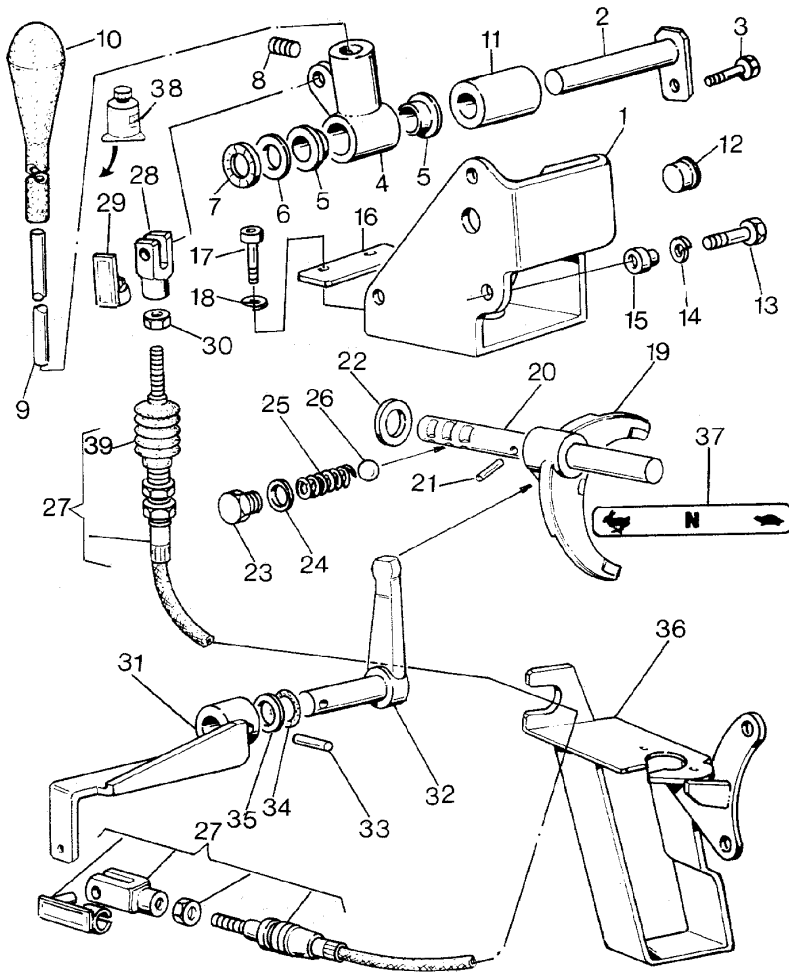
TRANSMISSION

E-04  
22

CREEPER GEARBOX CONTROL

Globus 60

E0422



1	3556443M91		1	SUPPORT
2	3556444M91	T-A 1:0	1	PIN
3	3009280X1	T-A 1:0	1	SCREW
4	3559885M92		1	HUB
5	3556821M1	T-A 1:0	2	BUSH
6	390735X1	T-A 1:0	2	WASHER
7	3553996M1	T-A 1:0	2	RING
8	3009704X1		1	SCREW
9	3559893M1	T-A 0:75	1	ROD
10	3556677M4	T-A 0:25	1	GRIP
11	3554821M1	B	1	SPACER
12	3548446M1	T-A 1:0	1	PLUG
13	339124X1	B	3	SCREW
14	339374X1		3	LOCK WASHER
15	3556301M1		3	RIVET
16	3554781M1	T-A 1:0	1	NAMEPLATE

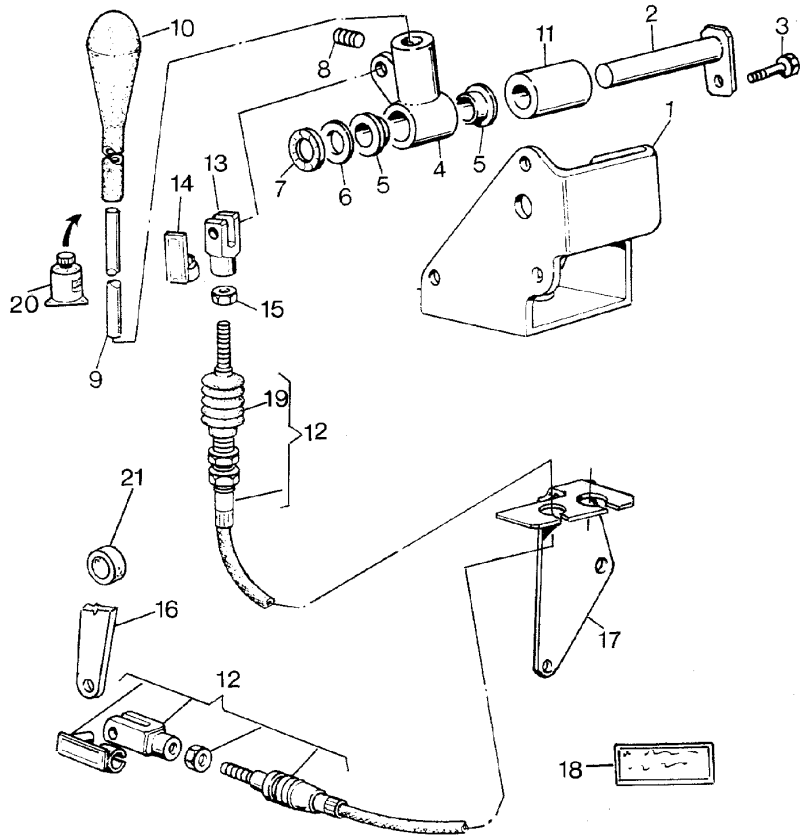
TRANSMISSION

E-04  
27

DRIVE SHAFT - 4 WHEEL DRIVE

Globus 60

E0427



1	3556443M91	C	1	SUPPORT
2	3556444M91	C	1	PIN
3	3009280X1	C	1	SCREW
4	3559885M92	T-A 1:0	1	HUB
5	3556821M1	T-A 1:0	2	BUSH
6	390735X1	C	2	WASHER
7	3553996M1	C	2	RING
8	3009704X1	T-A 1:0	1	SCREW
9	3559892M1	T-A 0:75	1	ROD
10	3556677M4	T-A 0:25	1	GRIP
11	3554821M1	A	1	SPACER
12	3553728M92	T-A 1:0	1	CABLE
13	392463X1	T-A 0:50	1	YOKE
		T-A 1:0		

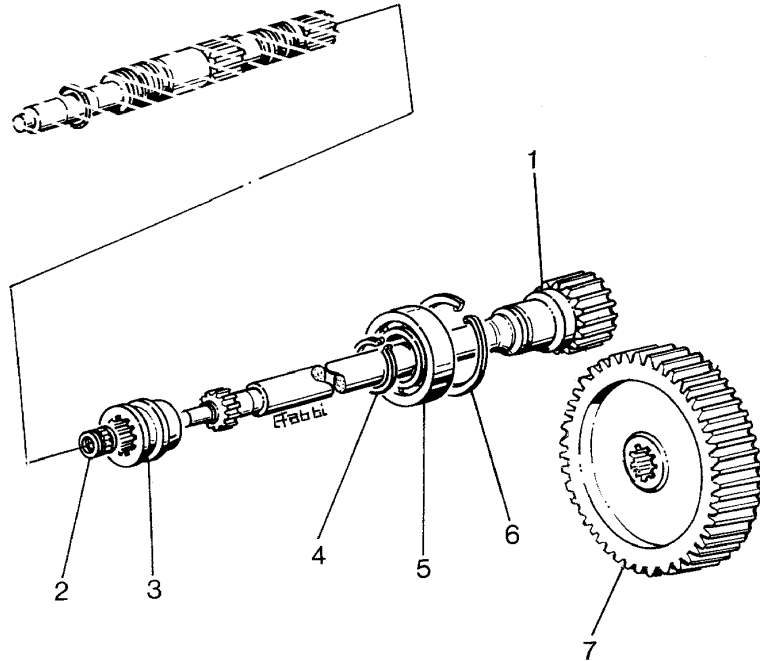
TRANSMISSION

E-04  
31

PTO - PROPORTIONAL DRIVE MECHANISM - CONTROL SHAFT

Globus 60

E0431



1	3554455M1	B C T-A 10:25	1	SHAFT
1	3556745M1	C T-A 10:25	1	SHAFT
2	3015242X1	T-A 10:25	1	CAGE
3	3537397M1	T-A 10:25	1	SLEEVE
4	339469X1	T-A 10:25	1	RING
5	339856X1	T-A 10:25	1	BEARING
6	1440480X1	T-A 10:25	1	RING
7	3554451M1	B C T-A 10:50	1	GEAR
	B	1 SPEED		
	C	540/750/1000 R.P.M.		
	C	2 SPEEDS		
	T-A	Replacement		

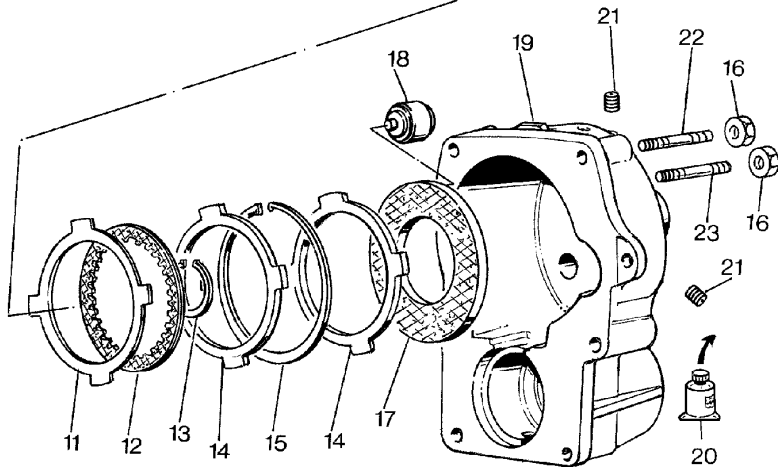
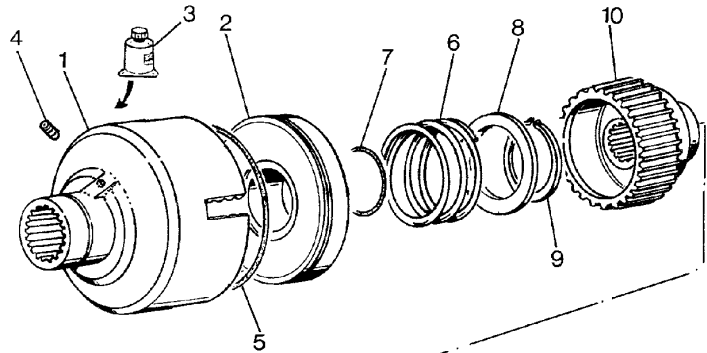
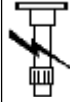
TRANSMISSION

E-04  
35

INDEPENDANT POWER TAKE OFF - SHAFT- CLUTCH AND CONTROL

Globus 60

E0435



13	1440523X1		1	RING
		T-A 1:50		
14	3554790M1		2	DISC
		T-A 1:50		
15	1442584X1		1	RING
		T-A 1:50		
16	339402X1		7	NUT
17	3554792M1		1	DISC
		(X) 0.0.1.2		
		T-A 1:50		
18	3552974M1		3	PISTON
		T-A 1:50		
19	3552970M2		1	COVER
		T-A 1:0		
20	1427801M1	● 1427801M2 (1)	1	LOCTITE
21	1442560X1		2	PLUG
22	3015182X1		4	TIE ROD
23	391005X1		3	STUD

T-A

Replacement

(X)

QTY PER TRACTORS SOLD (AA.BBB.CCC.DDD) (AA) FOR  
1,(BBB) 2-10 (CCC) 11-25 (DDD) 26-50

CLICK HERE TO **DOWNLOAD** THE COMPLETE MANUAL

- Thank you very much for reading the preview of the manual.
- You can download the complete manual from: [www.heydownloads.com](http://www.heydownloads.com) by clicking the link below



- Please note: If there is no response to CLICKING the link, please download this PDF first and then click on it.

CLICK HERE TO **DOWNLOAD** THE COMPLETE MANUAL