

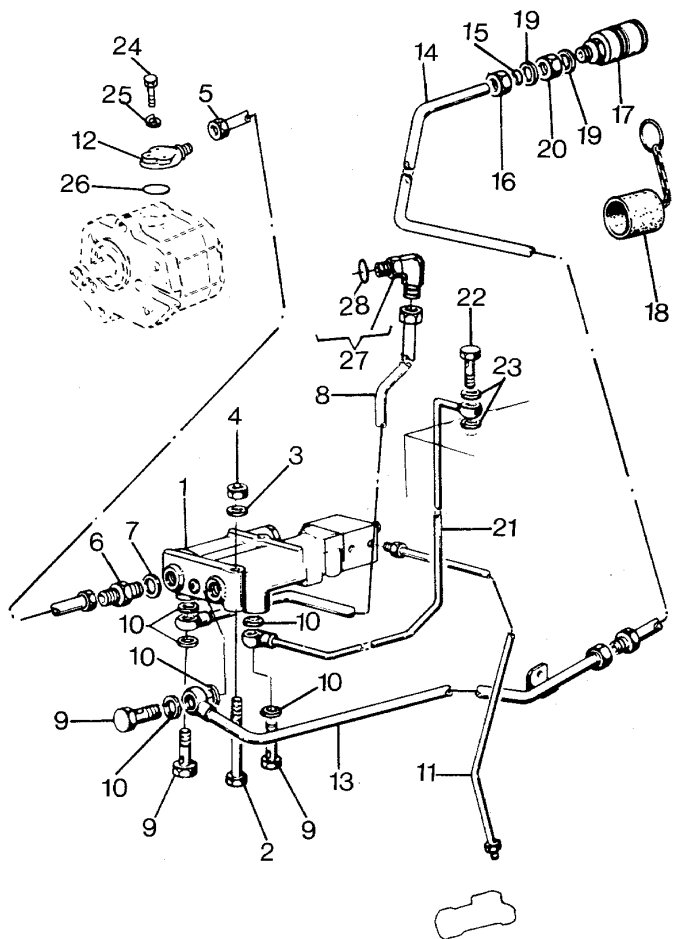
ACCESSORIES MECHANICAL

**X-48
01**

TRAILER BRAKES

Frutteti 560 L-V 8560L

X4801



- | | | | | |
|----|------------|------------|---|-------------|
| 1 | 1676468M91 | | 1 | DISTRIBUTOR |
| 2 | 339368X1 | | 2 | SCREW |
| 3 | 390972X1 | | 2 | WASHER |
| 4 | 339169X1 | ● | 2 | NUT |
| 5 | 3533761M91 | B | 1 | PIPE |
| 5 | 3533762M92 | ● | 1 | PIPE |
| | | A | | |
| 6 | 3300561M1 | | 1 | UNION |
| 7 | 1441022X1 | | 1 | WASHER |
| 8 | 3308093M91 | | 1 | PIPE |
| 9 | 394202X1 | ● | 3 | UNION |
| 10 | 1440702X1 | | 6 | WASHER |
| 11 | 3533723M91 | | 1 | PIPE |
| 12 | 3300496M1 | ● | 1 | FLANGE |
| | | A | | |
| 13 | 3533736M91 | | 1 | PIPE |
| 14 | 3308092M92 | | 1 | PIPE |
| 15 | 339994X1 | | 1 | RING |
| 16 | 1442333X1 | | 1 | NUT |
| 17 | 3532569M91 | ● | 1 | UNION |
| | | Y | | |
| | | | | |
| 17 | 3581307M1 | ● | 1 | HITCH |
| | | Y | | |
| | | | | |
| 18 | 908605M1 | | 1 | PLUG |
| 19 | 1662876M1 | | 2 | WASHER |
| 20 | 1442336X1 | | 1 | NUT |
| 21 | 3533735M91 | ● | 1 | PIPE |
| 22 | 3308615M1 | | 1 | UNIVERSAL |
| 23 | 734414M1 | ● | 2 | GASKET |
| | | N.L.A. (2) | | |

CLICK HERE TO **DOWNLOAD** THE COMPLETE MANUAL

- Thank you very much for reading the preview of the manual.
- You can download the complete manual from: www.heydownloads.com by clicking the link below



- Please note: If there is no response to CLICKING the link, please download this PDF first and then click on it.

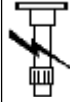
CLICK HERE TO **DOWNLOAD** THE COMPLETE MANUAL

TRACTOR CAB

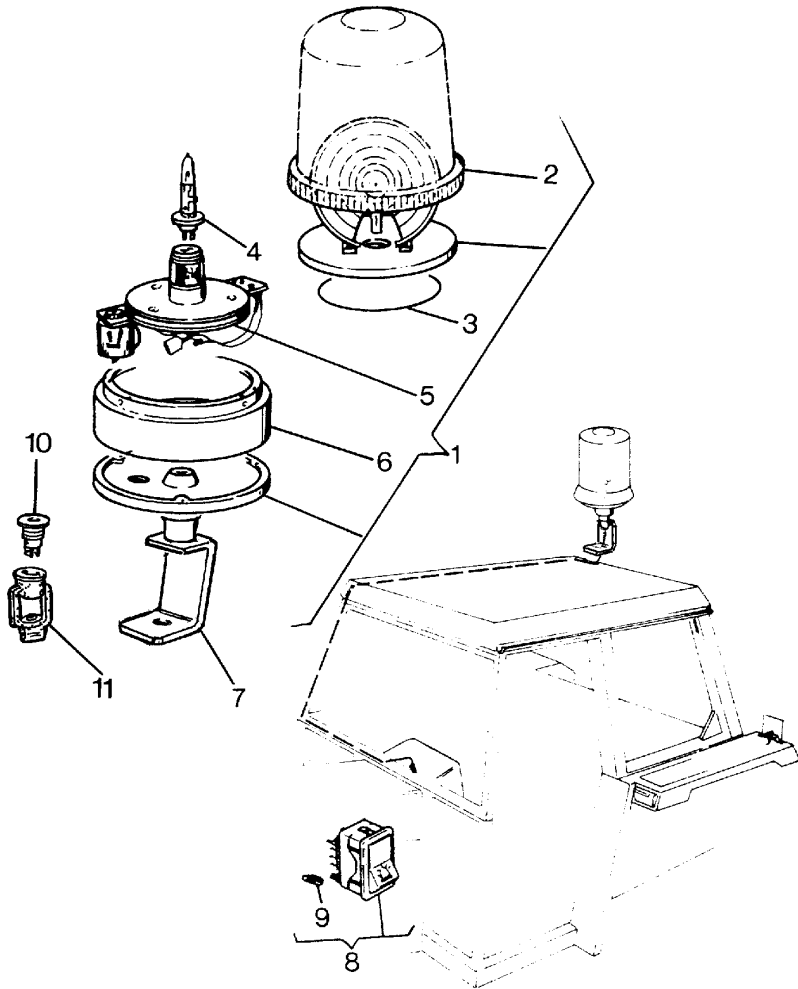
U-47
02

ROTATING LIGHT

Frutteti 560 L-V 8560L



U4702



6	!	1		1	BODY
	☛	REF.N.1			
	⊖				
		D			
6	!	1		1	BODY
	☛	REF.N.1			
	⊖				
		A			
7		3543821M91		1	SUPPORT
8	☛	3535798M91	☛	3535799M91 (1)	1 SWITCH,IND
			☛	3535799M91	
				C	
8	☛	3535799M91	☛	3535798M91	1 SWITCH,IND
				D	
9	!	3533928M91	!	8	1 FUSE
				AMP. 7,5	
10	☛	3535827M91	☛	3535827M92 (1)	1 PLUG SOCKET
11		3535828M1			1 PLUG
!		THIS IS A COMPONENT OF AN ASSEMBLY			
☛		ALTERNATIVE			
☛		NOT SERVICED, ORDER			
⊖		FOR ITALY ONLY			
⊖		WITHOUT FOR ITALY			
A		ORANGE			
C		HELLA TYPE			
D		YELLOW			
D		COBO TYPE			

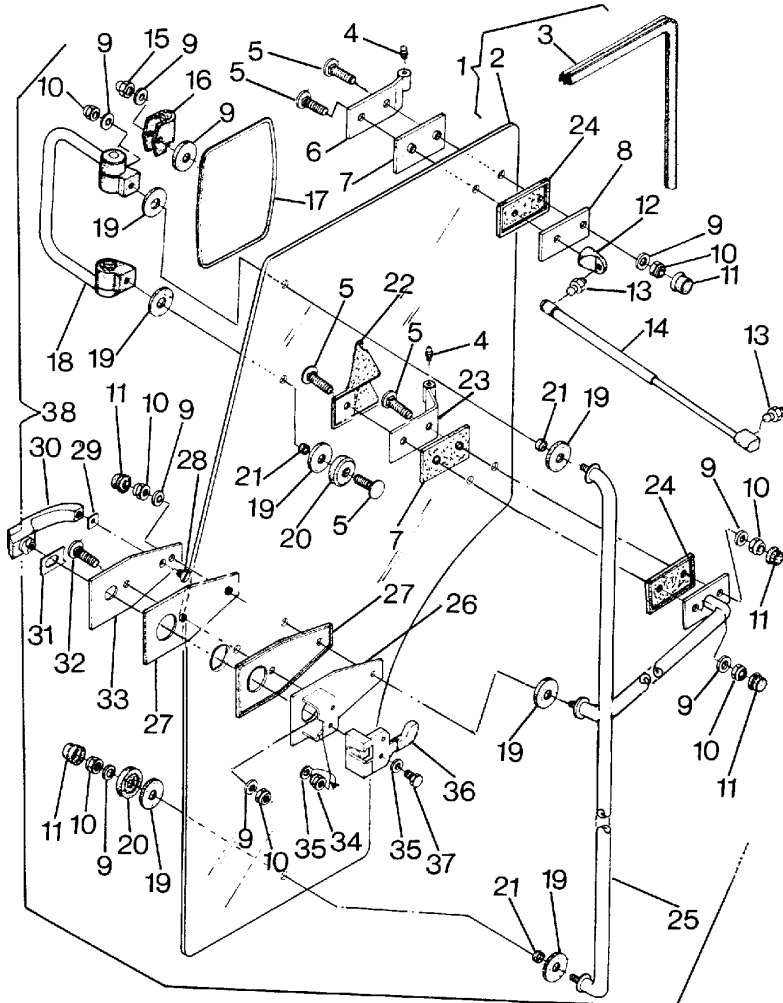
TRACTOR CAB

U-47
06

CAB

Frutteti 560 L-V 8560L

U4706



- | | | | | |
|----|------------|--------------|---|--------|
| 27 | 3540195M1 | | 2 | GASKET |
| 28 | | C | 1 | SCREW |
| 29 | | C | 1 | GASKET |
| 30 | 3311906M91 | | 1 | HANDLE |
| 31 | | C | 1 | GASKET |
| 32 | | C | 1 | SCREW |
| 33 | 3540196M1 | | 1 | PLATE |
| 34 | | C | 2 | NUT |
| 35 | | C | 4 | WASHER |
| 36 | 3311751M91 | ◀ | 1 | LOCK |
| 36 | 3311752M91 | ▶ | 1 | LOCK |
| 37 | | C | 2 | SCREW |
| 38 | 3311935M91 | ▶ | 1 | DOOR |
| 38 | 3311976M91 | ● N.L.A. (1) | 1 | DOOR |
- ! THIS IS A COMPONENT OF AN ASSEMBLY
 NOT SERVICED, ORDER
 C TO BE ADVISED
 ◀ LEFT HAND
 ▶ RIGHT HAND

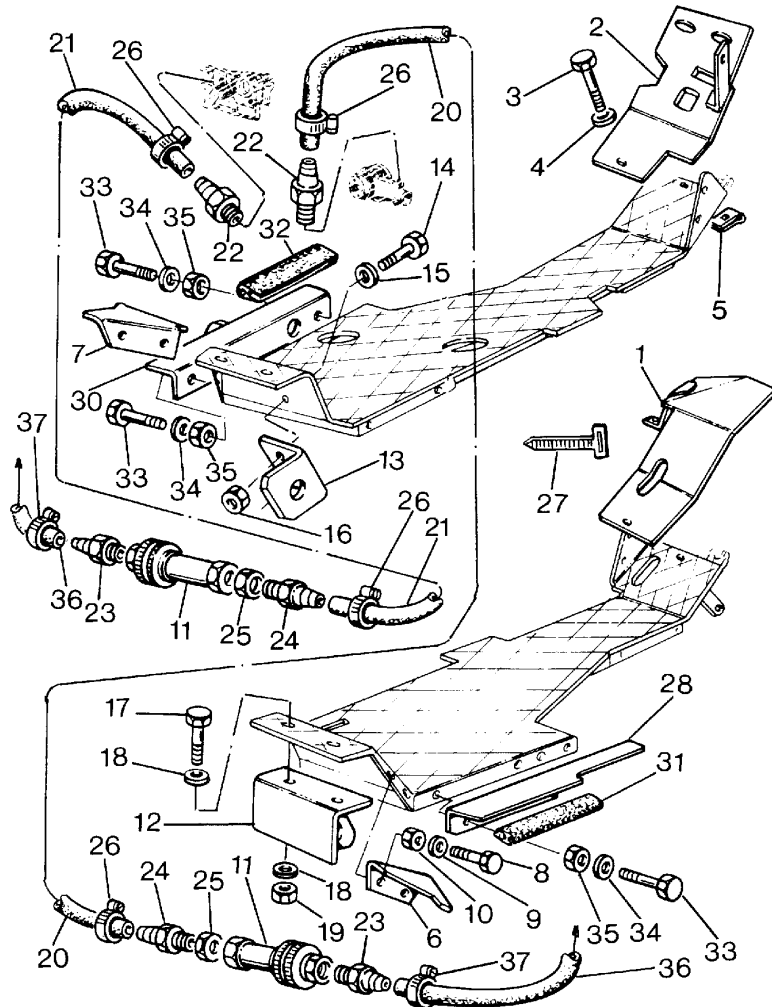
TRACTOR CAB

U-47
12

CAB

Frutteti 560 L-V 8560L

U4712



- | | | | | | |
|----|------------|---|----------------|---|-------------|
| 1 | 3539129M91 | ◀ | | 1 | BULKHEAD |
| 2 | 3539133M91 | ▶ | | 1 | BULKHEAD |
| 3 | 365929X1 | ● | N.L.A. (2) | 2 | SCREW |
| 4 | 391038X1 | | | 2 | LOCK WASHER |
| 5 | 3539356M1 | | | 2 | NAMEPLATE |
| 6 | 3539348M1 | ◀ | | 1 | BULKHEAD |
| 7 | 3539347M1 | ▶ | | 1 | BULKHEAD |
| 8 | 339560X1 | | | 4 | SCREW |
| 9 | 390971X1 | | | 6 | WASHER |
| 10 | 339030X1 | ● | 1441500X1 (4) | 4 | NUT |
| 11 | 3539018M91 | ◇ | U-47 05 35 | 2 | UNION |
| 12 | 3538971M91 | ◀ | | 1 | SUPPORT |
| 13 | 3539019M1 | ▶ | | 1 | SUPPORT |
| 14 | 339666X1 | | | 2 | SCREW |
| 15 | 390971X1 | | | 2 | WASHER |
| 16 | 1441500X1 | | | 2 | NUT |
| 17 | | ◇ | U-47 04 7 | 2 | SCREW |
| 18 | | ◇ | U-47 04 25 | 4 | WASHER |
| 19 | | ◇ | U-47 04 26 | 2 | NUT |
| 20 | 3539024M1 | ◀ | | 1 | PIPE |
| 21 | 3539024M1 | ▶ | | 1 | PIPE |
| 22 | 3539021M1 | ◇ | U-47 05 34 | 2 | UNION |
| 23 | 3539020M2 | ● | 3539020M3 (2) | 2 | UNION |
| 24 | 3542242M1 | ● | 3542242M2 (2) | 2 | UNION |
| 25 | 392368X1 | | | 2 | NUT |
| 26 | 3530490M91 | | | 4 | CLAMP |
| 27 | 395528X1 | ● | 3307667M91 (8) | 8 | RETAINER |
| 28 | 3539767M2 | | C | 1 | EXTENSION |
| 29 | 3539017M2 | ◀ | | 1 | EXTENSION |
| | | | A | | |

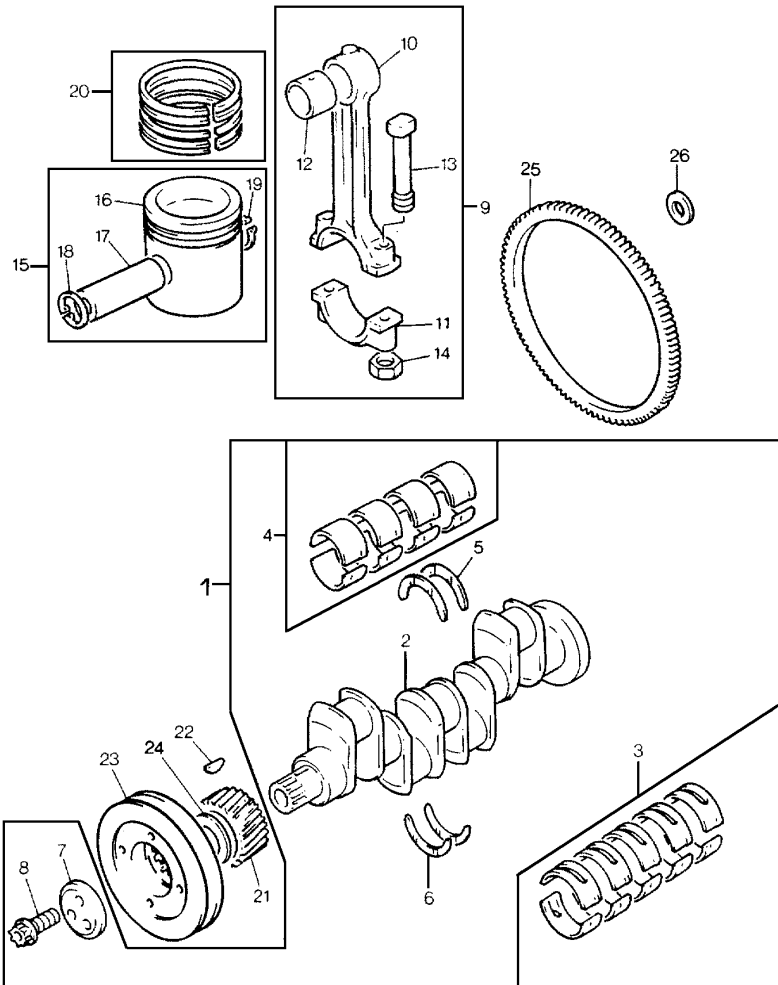
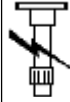
ENGINE

A-05
04

CRANKSHAFT, PISTONS AND CONNECTING RODS

Frutteti 560 L-V 8560L

A0504



1	ZZ 90081	● ZZ90081 (1)	1	SHAFT
		● U5BG0024		
3	81558	! 1	1	BEARING
		A		
3	81558A	▼ (-)0.25MM	999	BEARING
		▲ (-)0.010		
		A		
3	81558B	▼ (-)0.50MM	999	BEARING
		▲ (-)0.020		
		A		
3	81558C	▼ (-)0.75MM	999	KIT
		▲ (-)0.030		
		A		
4	85042	! 1	1	KIT
		A		
4	85042A	▼ (-)0.25MM	999	KIT
		▲ (-)0.010		
		A		
4	85042B	▼ (-)0.50MM	999	KIT
		▲ (-)0.020		
		A		
4	85042C	▼ (-)0.75MM	999	KIT
		▲ (-)0.030		
		A		
5	31137312	RTS CODE 540900	999	RING
		TIME 5,50		
5	31137551	RTS CODE 540900	2	WASHER
		TIME 5,50		
6	31137322	RTS CODE 540900	999	WASHER
		TIME 5,50		
6	31137561	RTS CODE 540900	2	RING
		TIME 5,50		
7	3242T001	D	1	RING
8	32186139	D	3	SCREW
9	ZZ 90009	● ZZ90009 (4)	4	CONROD
12	31134123	! 9	1	THIMBLE
13	32762144	● 32762145 (2)	2	SCREW
		! 9		

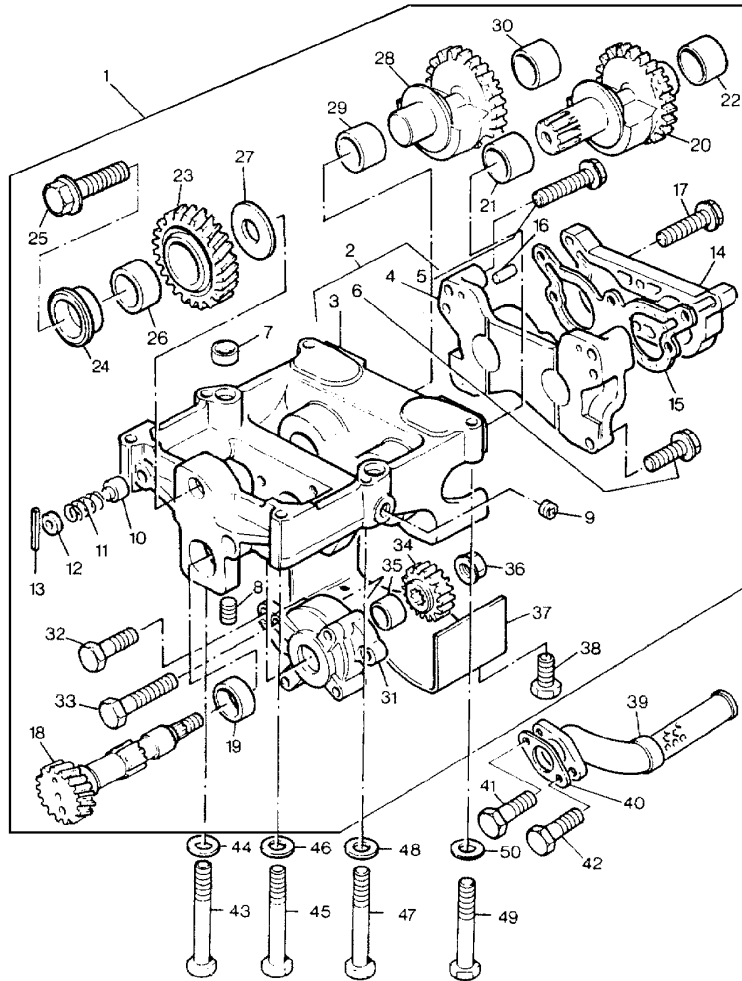
ENGINE

A-05
08

BALANCER UNIT

Frutteti 560 L-V 8560L

A0508



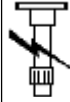
29	2511A730	!	1	1 BUSH
30	2511A730	!	1	1 BUSH
31	4132F041	!	1	1 PUMP
		●	4132F021	
32	2314H006	!	1	1 SCREW
		●	2315C059	
33	2314H012	!	1	2 SCREW
		●	2315C053	
34	3116W001	!	1	1 GEAR
		▲	24	
35	2551A014	!	1	1 BEARING
36	33531136	!	1	1 NUT
37	3661K001	!	1	1 COVER
38	2314C034	!	1	4 SCREW
39	3764E031	●	2314H007 (1)	1 PIPE
			2314H013 (1)	
			2415A047 (1)	
			4134E037 (1)	
40	3683L002	●	3683L005 (1)	1 UNIVERSAL
41	2314H006	●	2315C053	1 SCREW
42	2314H012	●	2315C059	1 SCREW
43	0096442	●	2185551 (1)	1 SCREW
44	33115129			1 WASHER
45	0096441			2 SCREW
46	33115129			2 WASHER
47	0096441			1 SCREW
48	33115129			1 WASHER
49	0096439			2 SCREW
50	33115129			2 WASHER
!	THIS IS A COMPONENT OF AN ASSEMBLY			
●	REPAIRS AND REPLACES			
▲	NUMBER OF TEETH/SPLINES			

ENGINE

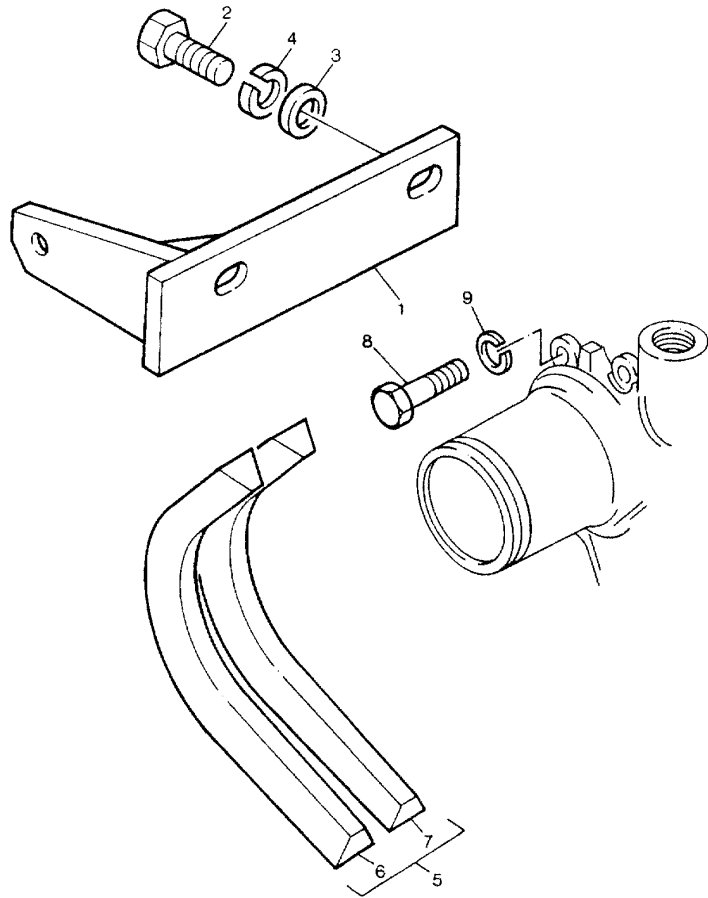
A-05
15

ALTERNATOR POSITIONER

Frutteti 560 L-V 8560L



A0515



- | | | | | |
|---|----------|----------------|---|-------------|
| 1 | 3821D006 | A | 1 | SUPPORT |
| 2 | 0746453 | ● 353537X1 (2) | 2 | SCREW |
| | | A | | |
| 3 | 0920004 | A | 2 | WASHER |
| 4 | 0920054 | A | 2 | LOCK WASHER |
| 5 | 2614B642 | ↑ 88/12 | 1 | BELT |
| 5 | 2614B644 | ↑ 89/01 | 1 | BELT |
| | | ● 2614B645 | | |
| 8 | 0096439 | | 1 | SCREW |
| 9 | 0920054 | | 1 | LOCK WASHER |
- ↑ FROM SERIAL OR ENGINE NUMBER
 ↑ UP TO SERIAL OR ENGINE NUMBER
 ● REPAIRS AND REPLACES
 A FITTED UP TO 88/12.

ENGINE ANCILLARY EQUIPMENT

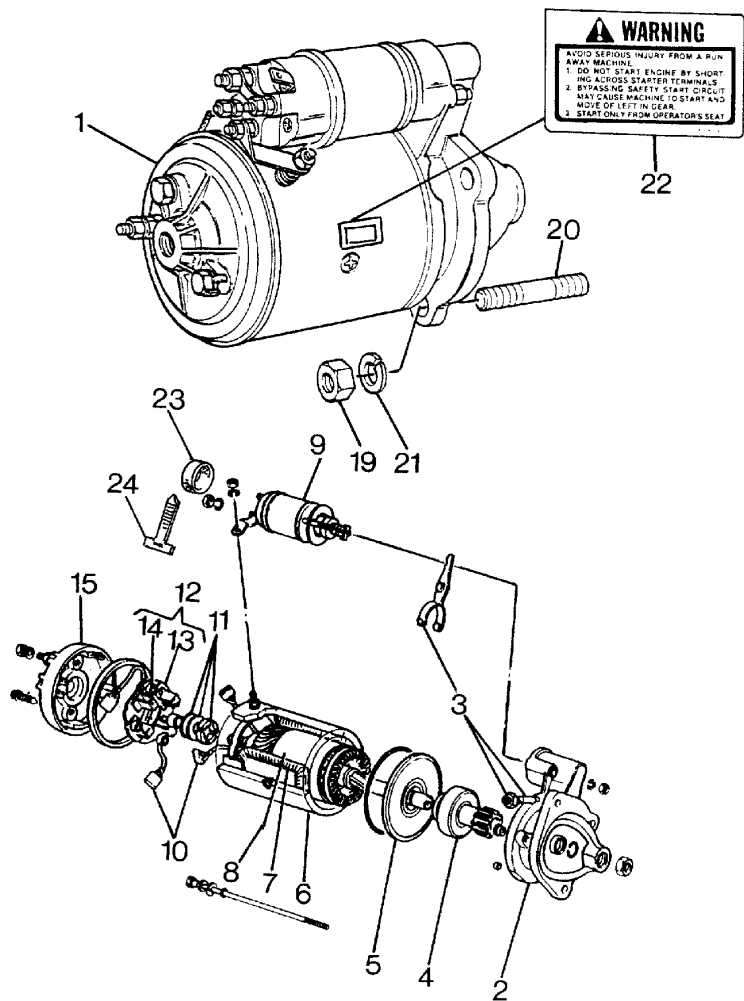
C-32
06

STARTER MOTOR

Frutteti 560 L-V 8560L



C3206



1	2873B055	●	3539390M92 (1)	1	STARTERMOTO
			3539392M1 (1)		R
			3539395M1 (1)		
			B		
			B		
			Z		
2	3474187M91	!	1	1	SUPPORT
3	1897317M92	!	1	1	FORK
4	1897316M91	●	3901173M91 (1)	1	DRIVE
			!		
5	1810615M91	!	1	1	BEARING
6		!	1	1	BODY
			➡		REF.N.1
7	1897314M91	●	3901192M91 (1)	1	COIL
			!		
8	3477316M91	●	3539389M91 (1)	1	ARMATURE
			!		
9	3474587M1	!	1	1	SOLENOID
10	1810743M91	!	1	1	KIT
11	1887956M91	!	1	1	STOP
12	1887952M91	!	1	1	KIT
13		!	12	1	WIPER
			➡		REF.N.12
14	1039134M91	!	12	1	KIT
15	1806009M1	!	1	1	SUPPORT
16	1887955M91	!	1	999	BUSH
			A		
17	1806002M1	!	1	999	KIT
			A		
18	1887967M91	!	1	999	KIT
			A		
19	2188135			3	NUT
20	0826403			3	STUD
21	0920054			3	LOCK WASHER

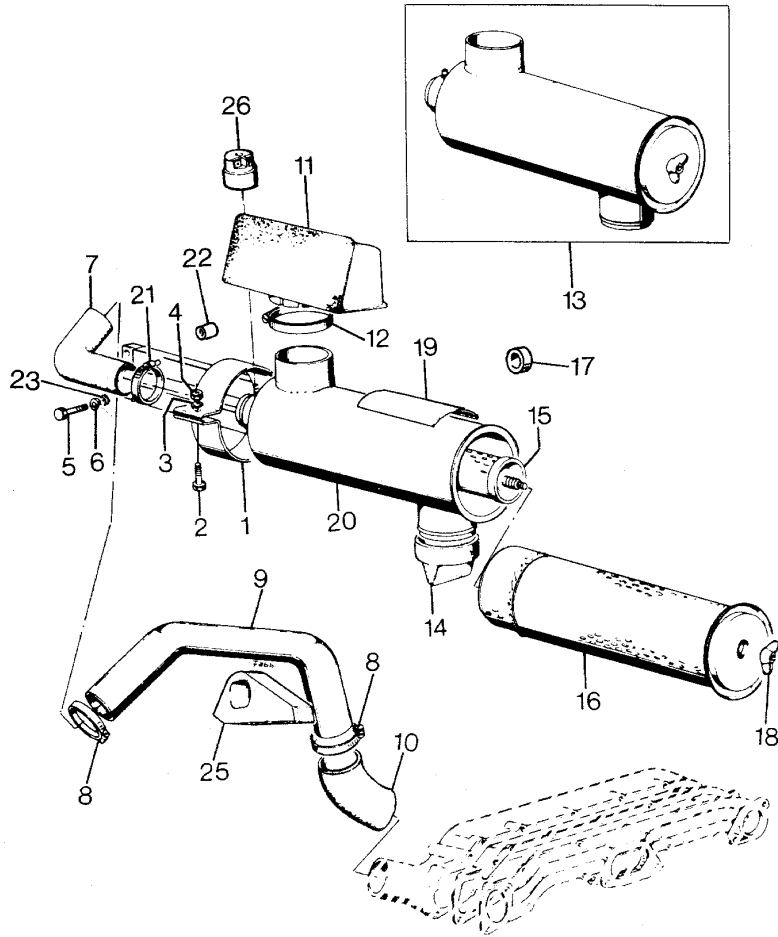
ENGINE ANCILLARY EQUIPMENT

C-32
13

AIR FILTER

Frutteti 560 L-V 8560L

C3213



16	3310358M1	!	13	1	ELEMENT
17	3538745M1	A		2	SPACER
		B			
18	26510141	!	13	1	NUT
19	3310359M1	!	13	1	DECAL
20		!	13	1	BODY
		➡	REF.N.13		
21	3307669M91			1	CLAMP
22	3532923M1	A		4	SPACER
23	390971X1	A		4	WASHER
25	3304175M1			1	GASKET
26	3534832M92			1	VALVOMETER

- ! THIS IS A COMPONENT OF AN ASSEMBLY
- ➡ FROM SERIAL OR ENGINE NUMBER
- ➡ NOT SERVICED, ORDER
- A WITH CONDITIONED AIR
- A WITH INTERCOOLER
- A "DONALDSON" TYPE
- B STD.HYDRAULIC LINES
- B WITHOUT HYDRAULIQUE TRAILER BEAKING SYSTEM
- D SINGLE HYDRAULIC LINES
- E WITH AUXILIARY HYDRAULIC VALVE CLEARANCE
- G WITHOUT OIL COOLER

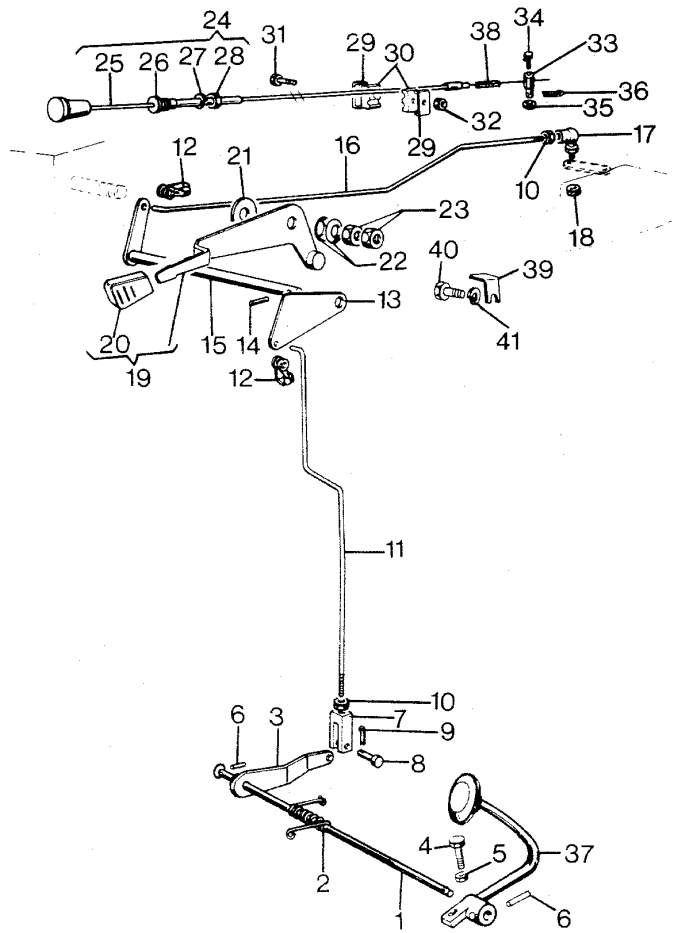
ENGINE ANCILLARY EQUIPMENT

C-32
17

THROTTLE CONTROLS

Frutteti 560 L-V 8560L

C3217



- | | | | | |
|----|------------|----------------------------|---|-----------|
| 1 | 3307283M92 | | 1 | SHAFT |
| 2 | 1423808M2 | | 1 | SPRING |
| 3 | 3530903M91 | | 1 | LEVER |
| 4 | 392536X1 | | 1 | SCREW |
| 5 | 339030X1 | ● 1441500X1 (1) | 1 | NUT |
| 6 | 1441722X1 | | 2 | DOWEL |
| 7 | 981782M2 | ● 392463X1 (1) | 1 | YOKE |
| 8 | 981783M1 | | 1 | PIN |
| 9 | 1442956X1 | | 1 | LINCH PIN |
| 10 | 1440085X1 | | 2 | NUT |
| 11 | 3303740M1 | | 1 | TIE ROD |
| 12 | 37332415 | | 2 | CLIP |
| 13 | 3303672M91 | ▶ | 1 | LEVER |
| 14 | 1440795X1 | | 1 | DOWEL |
| 15 | 3303671M91 | ◀ | 1 | SHAFT |
| 16 | 3303738M1 | | 1 | TIE ROD |
| 16 | 3303739M2 | ● N.L.A. (1)
N.L.S. (1) | 1 | TIE ROD |
| 17 | 1423816M91 | | 1 | UNIVERSAL |
| 18 | 339030X1 | ● 1441500X1 (1)
! 17 | 1 | NUT |
| 19 | 3536266M91 | ● 3537623M92 (1)
P03180 | 1 | LEVER |
| 19 | 3537623M91 | ● 3537623M92 (1)
P03181 | 1 | LEVER |
| 20 | 3303699M1 | ! 19 | 1 | KNOB |
| 21 | 973078M2 | | 1 | DISC |
| 22 | 973079M1 | | 4 | SPRING |
| 23 | 339402X1 | | 2 | NUT |
| 24 | 3303542M93 | ● 3303542M94 (1) | 1 | CABLE |

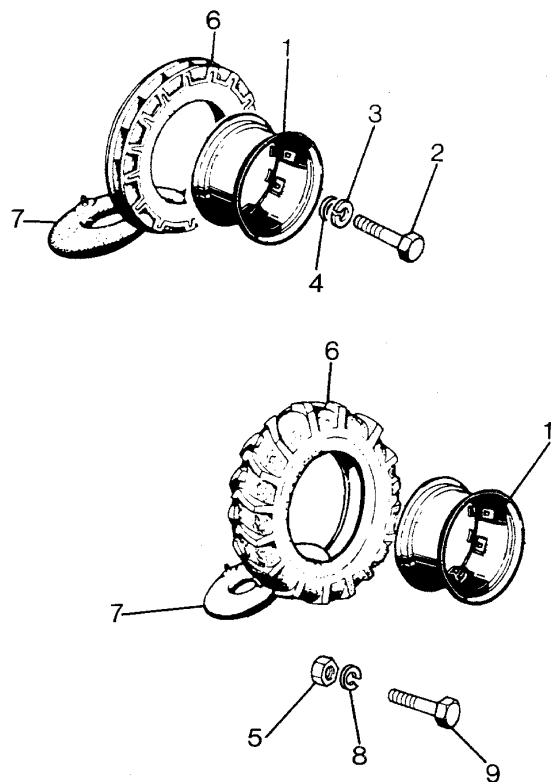
FRONT AXLE AND STEERING

J-09
01

FRONT WHEELS

Frutteti 560 L-V 8560L

J0901



5	3009748X1	II		10	NUT
6	1423758M1	II		2	TYRE AND TUBE
			C		
			6PR		
6	1426763M2	II		2	TYRE AND TUBE
			B		
			6PR		
6	1823726M1	II		2	TYRE AND TUBE
			L		
			6PR		
6	3303402M1	● II	3538941M1 (2)	2	SHAFT
			G		
			6PR		
6	3306157M1	● II	3535127M1 (2)	2	TYRE
			B		
			6PR		
6	3307463M1	● ⊕ II	3548401M1 (2)	2	TYRE
			N		
			6PR		
6	3534564M1	● II	3558869M1 (2)	2	TYRE
			H		
			8PR		
6	3534566M1	● II	3649764M1 (2)	2	TYRE
			M		
6	3535127M1	II		2	TYRE
			P		
			8PR		
7	1423755M91	M P		2	CHAMBER

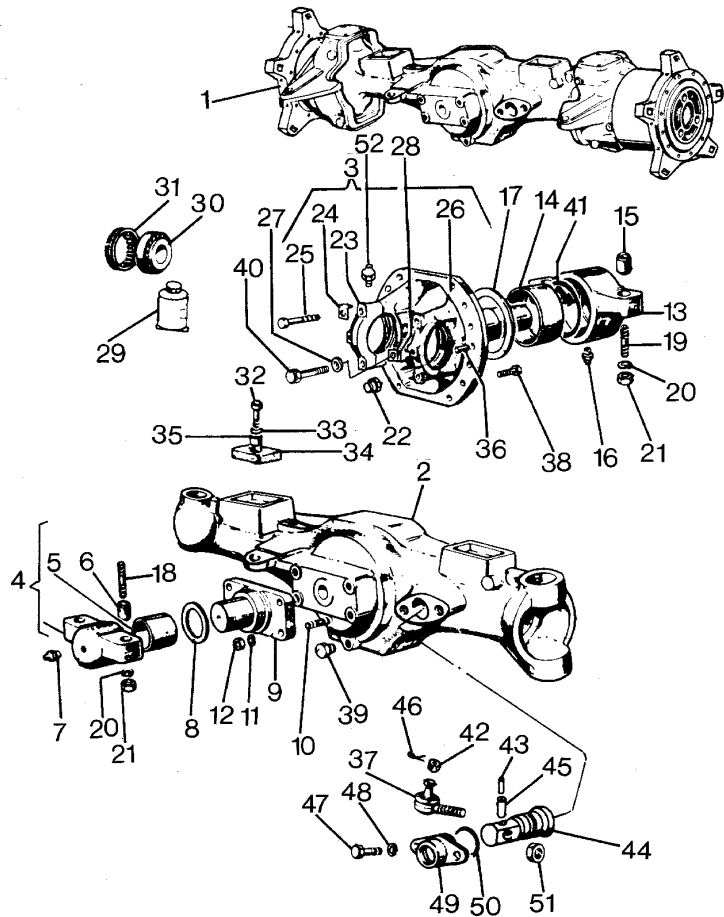
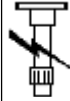
FRONT AXLE AND STEERING

J-09
06

FRONT AXLE 4 WHEEL DRIVE

Frutteti 560 L-V 8560L

J0906



1	3427737M91	C	1	AXLE
1	3427739M91	B	1	AXLE
1	3428174M91	B	1	AXLE
		C		
1	3428175M91	C	1	AXLE
		C		
2	3426671M2	● 3426671M3 (1)	1	AXLE
3	1824244M91		1	SUPPORT
4	1824239M92	D	1	SUPPORT
5	1823570M2	! 4	1	BUSH
6	1823569M1		2	BUSH
7	339608X1		1	GREASER
8	1823571M1		1	DISC
9	1823542M1	D	1	HUB
10	1440049X1		4	SCREW
11	1440316X1		4	LOCK WASHER
12	1440223X1	● 392416X1 (4)	4	NUT
13	1424997M93	Y	1	SUPPORT
14	1424401M1	! 13	1	BUSH
15	1823569M1		2	BUSH
16	339608X1		1	GREASER
17	1823572M1		1	DISC
18	394251X1		2	SCREW
19	394252X1		2	SCREW
20	1440317X1		4	LOCK WASHER
21	392335X1		4	NUT
22	392735X1		1	PLUG
23	1823549M1	● N.L.S. (1)	1	CAP
		! 2		
24	1442553X1	! 2	4	PLATE
25	3426884M1	! 2	4	SCREW
26		! 2	1	BOX
		▣ REF.N.2		

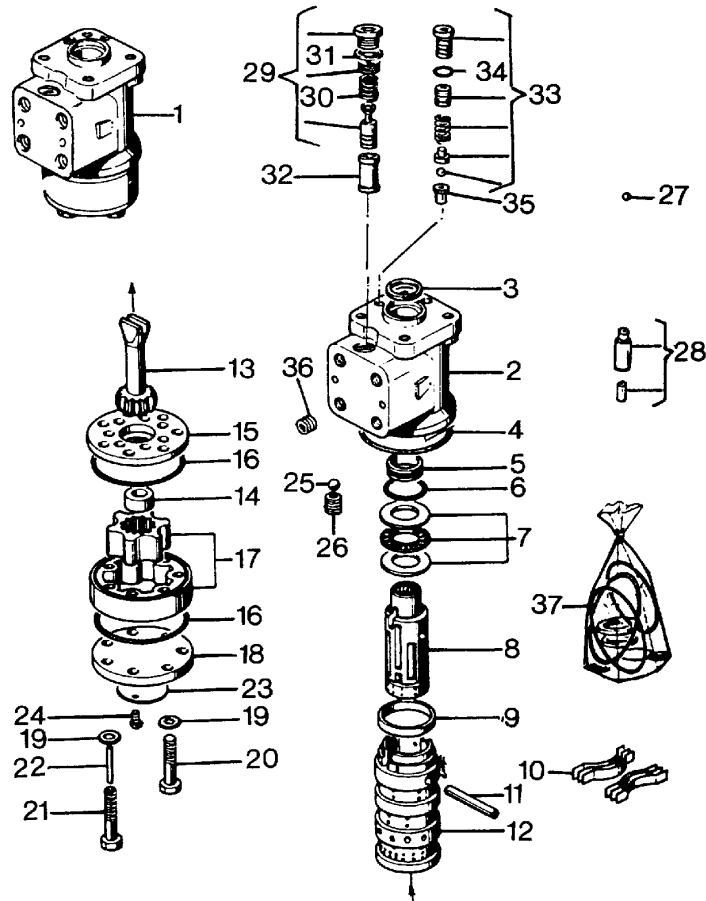
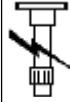
FRONT AXLE AND STEERING

J-09
09

STEERING DISTRIBUTOR "ORBITROL"

Frutteti 560 L-V 8560L

J0909



28	1897608M91	!	1		2	PIN
29	1897640M91	!	1		1	VALVE
30	1897430M1	●	N.L.A. (1)		1	SPRING
		!	29			
32		!	1		1	VALVE SEAT
		▣	REF.N.1			
33	1897432M91	!	1		2	VALVE
34	1897433M1	!	33		1	RING
35		!	1		2	VALVE SEAT
		▣	REF.N.1			
36		!	1		1	VALVE
		▣	REF.N.1			
37	1810503M92	●	3540570M91 (999)	999 KIT		
!	THIS IS A COMPONENT OF AN ASSEMBLY					
▣	NOT SERVICED, ORDER					
A	INCLUDED IN KIT 1810503M92					

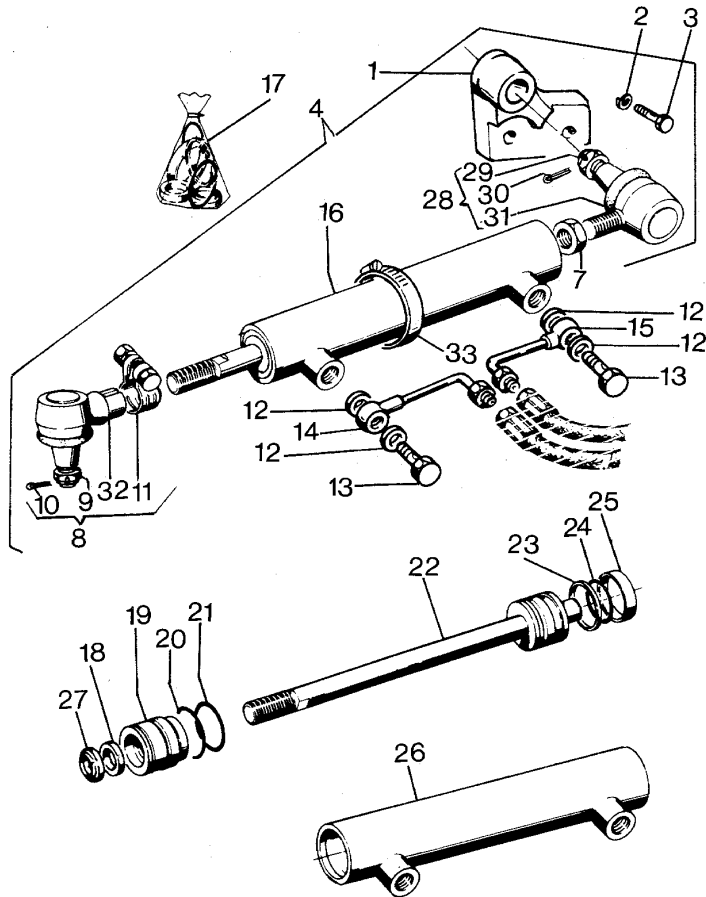
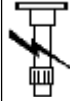
FRONT AXLE AND STEERING

J-09
15

STEERING CYLINDER

Frutteti 560 L-V 8560L

J0915



- | | | | | |
|----|------------|---|----------|------------|
| 1 | 1424975M1 | | 1 | SUPPORT |
| 2 | 391214X1 | ● | 2 | SCREW |
| 3 | 339275X1 | | 2 | SCREW |
| 4 | 3186427M91 | | 1 | CYLINDER |
| 7 | 339617X1 | ! | 4 | NUT |
| 8 | 3426660M1 | ! | 4 | UNIVERSAL |
| 9 | 339075X1 | ! | 8 | NUT |
| 10 | 391423X1 | ! | 8 | LINCH PIN |
| 11 | 3102366M1 | ! | 8 | CLIP |
| 12 | 390839X1 | | 4 | GASKET |
| 13 | 393444X1 | | 2 | FILLER |
| 14 | 3307815M91 | A | 1 | PIPE |
| 15 | 3307812M91 | A | 1 | PIPE |
| 16 | | ! | 4 | CYLINDER |
| | | ➡ | REF.N.4 | |
| 17 | 1609086M91 | | 999 | KIT |
| 18 | 3187484M1 | ! | 1 | RING |
| 19 | 1748237M1 | ! | 1 | BEARING |
| 20 | 1748053M1 | ! | 1 | RING |
| 21 | 1442710X1 | ! | 1 | O RING |
| 22 | 3314361M91 | ● | 1 | ROD |
| | | ! | 16 | |
| 23 | 3484839M1 | ! | 1 | SEAL |
| 24 | 3314297M1 | ! | 1 | RING |
| 25 | 1606843M1 | ! | 1 | GUIDE |
| 26 | 3314360M91 | ! | 1 | BODY |
| 27 | 1442082X1 | ! | 1 | RING |
| 28 | 3314359M1 | ! | 4 | UNIVERSAL |
| 29 | 339075X1 | ! | 28 | NUT |
| 30 | 391423X1 | ! | 28 | LINCH PIN |
| 31 | | ! | 28 | BALL JOINT |
| | | ➡ | REF.N.28 | |
| 32 | | ! | 8 | BALL JOINT |
| | | ➡ | REF.N.8 | |

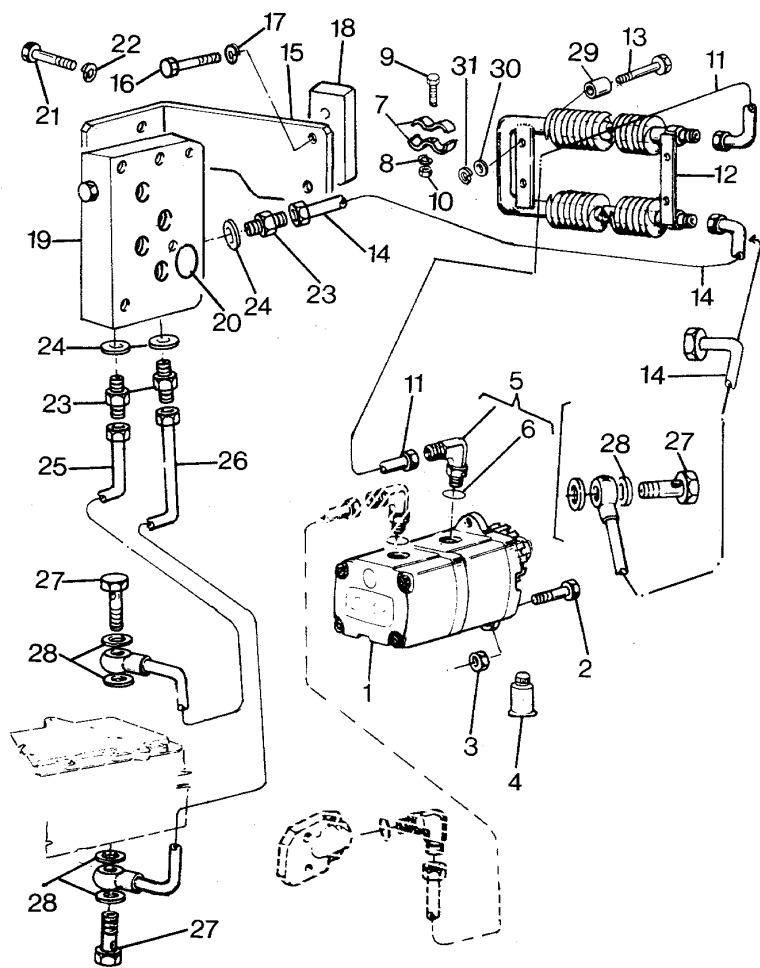
HYDRAULICS AND LINKAGE

P-42
03

HYDRAULIC LIFT PIPINGS

Frutteti 560 L-V 8560L

P4203



24	1440702X1		3	WASHER
25	3533672M91		1	PIPE
26	3533671M91		1	PIPE
27	394202X1	●	3	UNION
28	1440702X1		6	WASHER
29	3532923M1	A	4	SPACER
30	390971X1	A	4	WASHER
31	391130X1	●	4	LOCK WASHER

- ! THIS IS A COMPONENT OF AN ASSEMBLY
- ◇ SEE PAGE - REFERENCE NUMBER
- A WITHOUT CAB
- E WITH AUXILIARY HYDRAULIC VALVE CLEARANCE
- Y WITH CAB

HYDRAULICS AND LINKAGE

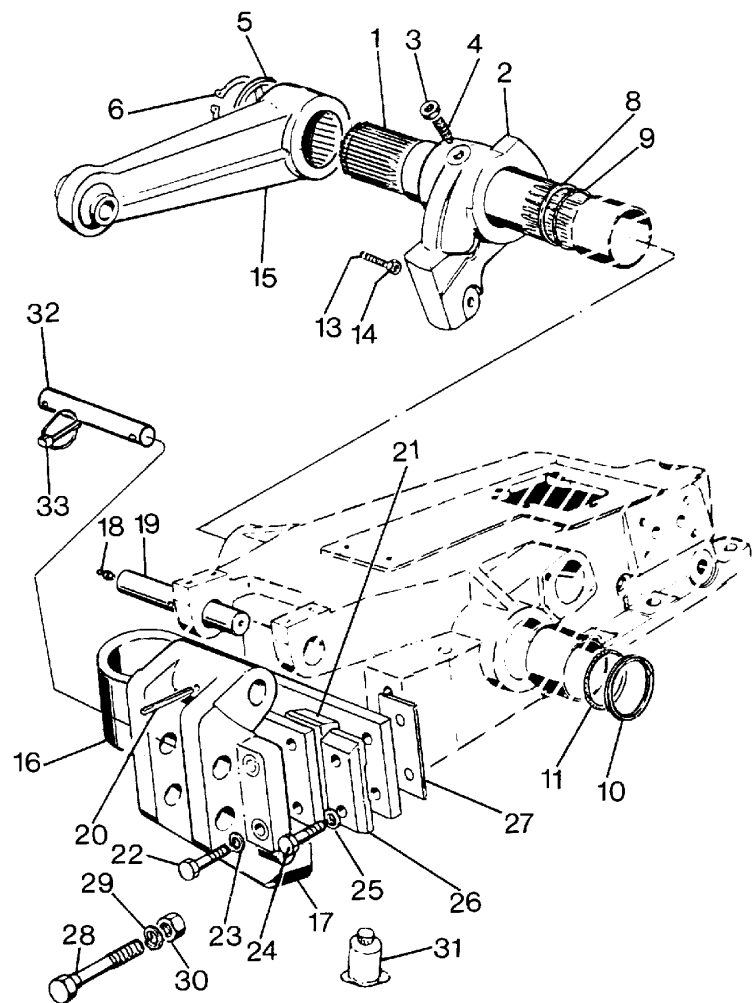
P-42
09

HYDRAULIC LIFT

Frutteti 560 L-V 8560L



P4209



1	3307249M1	●	3535353M2 (1)	1	SHAFT
		↑	3535354M1 (1)		
			S07113		
1	3535353M2	↑	S07114	1	SHAFT
2	3306405M5	●	3306405M6 (1)	1	CONROD
3	339186X1			1	NUT
4	395588X1			1	SCREW
5	3307268M1			2	SPACER
6	391129X1			2	RING
7	1825290M1	↑	S07114	1	RING
7	1825290M1	↑	S07113	2	RING
8	3530411M1	▲		1	SPACER
9	835126M1	▲		1	O RING
10	3530412M1	▲		1	SPACER
11	1001464M1	▲		1	O RING
12	3535354M1	↑	S07114	1	RING
13	1425359M1			2	SCREW
14	392310X1			2	NUT
15	1825291M92			2	ARM
16	3307673M1			1	SPRING
17	1825295M5			1	SUPPORT
18	1440838X1			2	GREASER
19	1825296M1			1	PIN
20	395587X1			1	DOWEL
21	1825300M1			1	STIRRUP
22	392242X1			2	SCREW
23	391414X1			2	LOCK WASHER
24	390718X1			2	BOLT
25	391414X1			2	LOCK WASHER
26	1825301M1			1	STIRRUP
27	1825302M1			1	SHIM
28	1825298M1			1	SCREW
29	1440317X1			1	LOCK WASHER

CLICK HERE TO **DOWNLOAD** THE COMPLETE MANUAL

- Thank you very much for reading the preview of the manual.
- You can download the complete manual from: www.heydownloads.com by clicking the link below



- Please note: If there is no response to CLICKING the link, please download this PDF first and then click on it.

CLICK HERE TO **DOWNLOAD** THE COMPLETE MANUAL

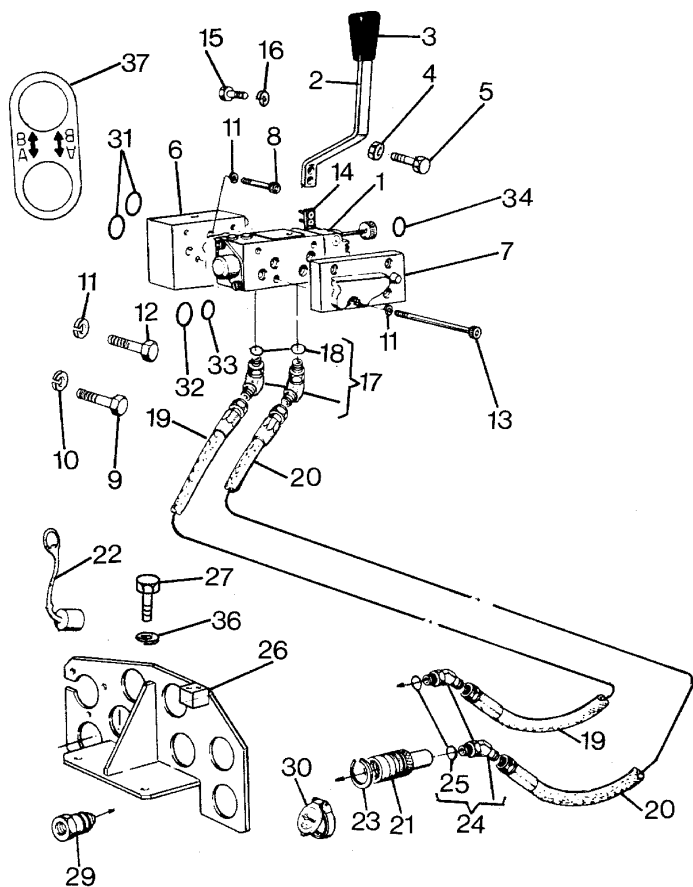
HYDRAULICS AND LINKAGE

P-42
14

PIPING AUXILIARY VALVE

Frutteti 560 L-V 8560L

P4214



1	◇ P-42 20 1	1	DISTRIBUTOR
	◇ P-42 21 1		
2	3531724M91	1	LEVER
3	! 2	1	BALL
	▣ REF.N.2		
4	392308X1	2	NUT
5	3001271X1	2	SCREW
6	3531613M92	1	PLATE
7	3531611M2	1	COVER
	● 1444744X1 (1)		
	● 3000145X1 (1)		
	● 3550948M1 (1)		
8	339168X1	2	SCREW
9	1443714X1	1	SCREW
10	391376X1	1	WASHER
11	391037X1	6	LOCK WASHER
12	3019908X1	1	SCREW
	◄ 105MM.		
	B		
13	1441763X1	3	SCREW
	◄ 70MM.		
	B		
13	3015016X1	4	SCREW
	◄ 90MM.		
	D		
14	3531730M91	1	PLATE
15	3005776X1	1	SCREW
16	3006170X1	1	LOCK WASHER
17	3308703M94	2	UNION
	● 3308703M95 (2)		
18	1425358M1	2	WASHER
	● 1425358M2 (2)		
19	3302959M91	1	PIPE
20	3530183M91	1	HYDR HOSE
	● 3531885M91 (1)		
21	3304415M91	2	UNION
	A		
	B		

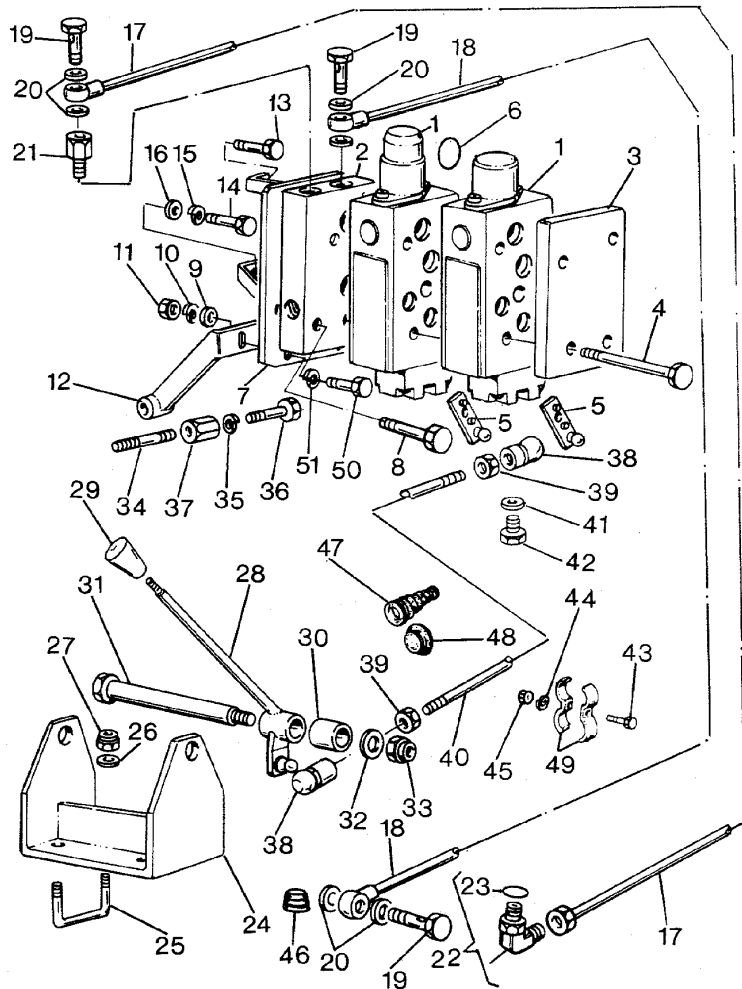
HYDRAULICS AND LINKAGE

P-42
19

PIPINGS AUXILIARY VALVE

Frutteti 560 L-V 8560L

P4219



- | | | |
|----|--------------------------|---------------|
| 1 | ◇ P-42 20 1 | 2 DISTRIBUTOR |
| | ◇ P-42 21 1 | |
| 2 | 3532531M91 | 1 PLATE |
| 3 | 3550948M1 | 1 COVER |
| 4 | 3015017X1 M8X135 | 4 SCREW |
| 4 | 3015018X1 M8X180 | 999 SCREW |
| 5 | 3533092M92 | 2 NAMEPLATE |
| 6 | 3019962X1 | 4 O RING |
| 7 | 3542838M91 | 1 SUPPORT |
| 8 | 3009493X1 | 2 SCREW |
| 9 | 390734X1 | 2 LOCK WASHER |
| 10 | 1440314X1 | 2 LOCK WASHER |
| 11 | 3009693X1 ● 339402X1 (2) | 2 NUT |
| 12 | 3542839M91 | 1 STIRRUP |
| 13 | 353528X1 | 1 BOLT |
| 14 | 0746452 | 1 SCREW |
| 15 | 353439X1 ● 1440316X1 (1) | 1 WASHER |
| 16 | 353756X1 | 1 WASHER |
| 17 | 3542822M91 | 1 PIPE |
| 18 | 3542823M91 | 1 PIPE |
| 19 | 394202X1 ● 3553651M1 (3) | 3 UNION |
| 20 | 1440702X1 | 6 WASHER |
| 21 | 3542851M1 | 1 EXTENSION |
| 22 | 1426265M93 | 1 UNION |
| 23 | 3015163X1 ! 22 | 1 O RING |
| 24 | 3542842M91 ➔ B15050 | 1 SUPPORT |
| 25 | 3542843M1 | 2 TIE ROD |
| 26 | 390972X1 | 2 WASHER |
| 27 | 394367X1 | 2 NUT |
| 28 | 3542844M91 | 2 LEVER |
| 29 | 3304484M1 | 2 KNOB |

HYDRAULICS AND LINKAGE

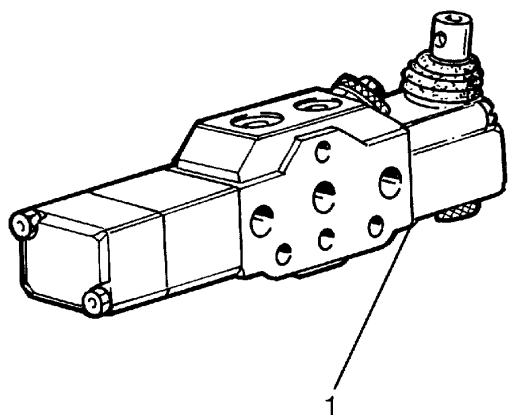
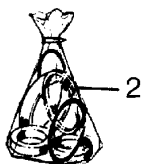
P-42
25

AUXILIARY FLOATING DISTRIBUTOR

Frutteti 560 L-V 8560L



P4225



1	3547486M92	●	N.L.S. (1)	1	DISTRIBUTOR
		◊	P-42 22 1		
		◊	P-42 24 1		
2	3540186M91			1	KIT
3	377353X1	●	3762561M1 (1)	1	RING
		!	2		
		A			
4	1441514X1	!	2	3	O RING
		A			
5	3019915X1	!	2	3	O RING
		A			
6	3019926X1	!	2	1	O RING
		A			
7	359291X1	!	2	1	RING
		A			
8	359289X1	!	2	1	O RING
		A			
9		!	2	1	RING
		A			
!	THIS IS A COMPONENT OF AN ASSEMBLY				
◊	SEE PAGE - REFERENCE NUMBER				
A	NOT ILLUSTRATED				

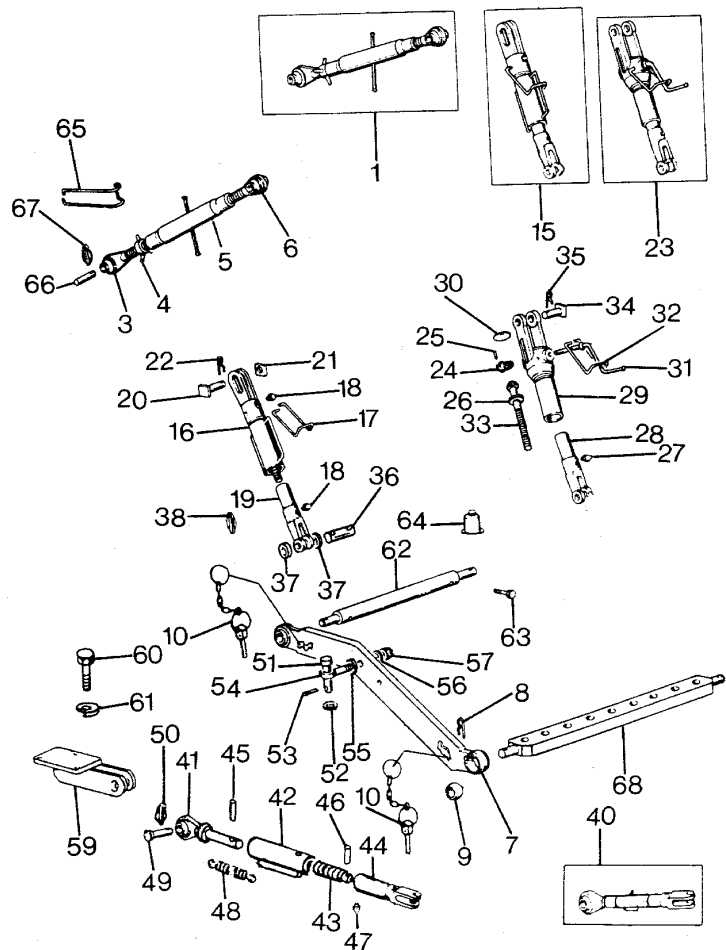
HYDRAULICS AND LINKAGE

P-42
31

LINKAGE

Frutteti 560 L-V 8560L

P4231



- | | | | | | |
|----|------------|---|----------------------------------|---|----------|
| 29 | 3308353M91 | ! | 23 | 1 | YOKE |
| 30 | 395572X1 | ! | 23 | 1 | BOTTOM |
| 31 | 1825439M1 | ! | 23 | 1 | LEVER |
| 32 | 1825440M1 | ! | 23 | 1 | RETAINER |
| 33 | 3308352M1 | ! | 23 | 1 | GEAR |
| | | ▲ | 15 | | |
| 34 | 3301732M91 | ● | 3667799M91 (1)
3670719M91 (1) | 1 | PIN |
| 35 | 974303M1 | | | 1 | SPRING |
| 36 | 1825431M3 | ● | 3667800M1 (2)
3670719M91 (2) | 2 | PIN |
| 37 | 395573X1 | | | 4 | WASHER |
| 38 | 974303M1 | | | 4 | SPRING |
| 40 | 3308849M92 | | | 2 | STRUT |
| 41 | 3308882M91 | ● | 3308849M92 (2) | 2 | STRUT |
| | | ! | 40 | | |
| 42 | 3308865M92 | ! | 40 | 2 | PIPE |
| 43 | 3308806M1 | ! | 40 | 2 | SCREW |
| 44 | 3308807M91 | ! | 40 | 2 | YOKE |
| 45 | 1441736X1 | ! | 40 | 2 | DOWEL |
| 46 | 1441059X1 | ! | 40 | 2 | DOWEL |
| 47 | 1441858X1 | ! | 40 | 2 | GREASER |
| 48 | 3308813M1 | ! | 40 | 2 | SPRING |
| 49 | 3307028M1 | | | 2 | PIN |
| 50 | 3303352M91 | ● | 3670719M91 (2) | 2 | DOWEL |
| 51 | 3307057M1 | | | 2 | PIN |
| 52 | 390975X1 | | | 2 | WASHER |
| 53 | 974303M1 | | | 4 | SPRING |
| 54 | 3538889M1 | | | 2 | PIN |
| 55 | 339554X1 | | | 2 | WASHER |

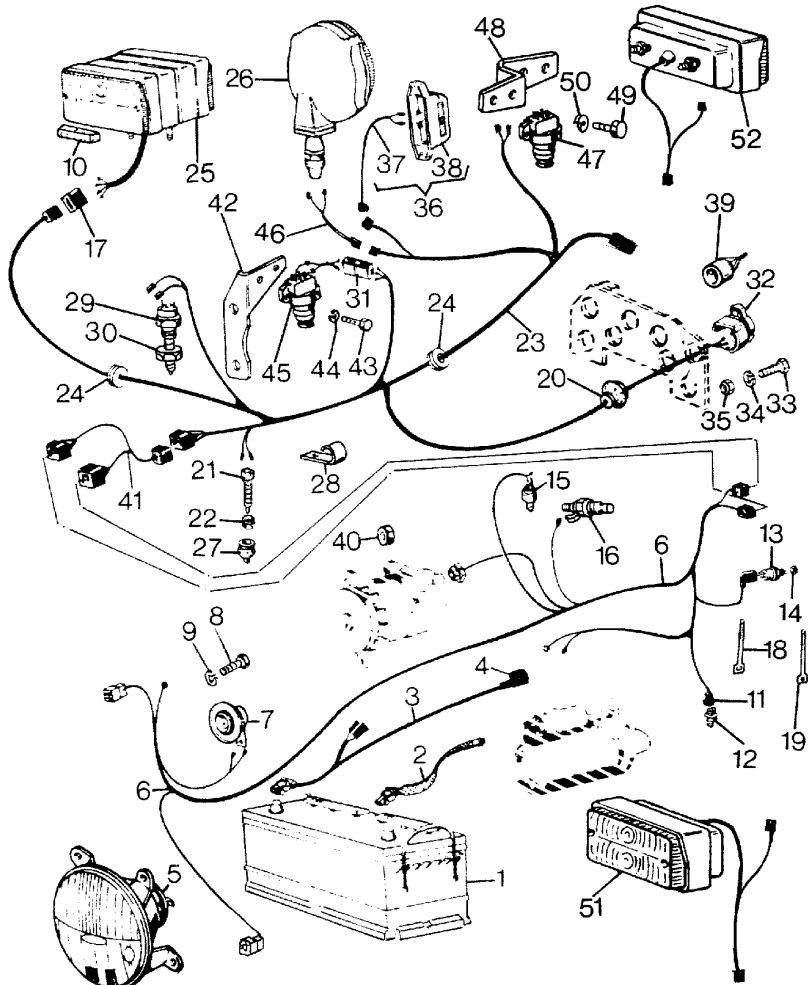
LIGHTING EQUIPMENT

D-00
03

ELECTRICAL WIRING

Frutteti 560 L-V 8560L

D0003



1	⊕	D-00 10 1	1	BATTERY		
2	⊕	D-00 10 10	1	CABLE		
3	⊕	D-00 10 7	1	CABLE		
		T				
3		3539164M91	A	1	CABLE	
			U			
4		3387113M1	!	3	1	HELMET
			T			
4		3539392M1	!	3	1	GUARD
			A			
			U			
5	⊕	D-00 08 19		2	LIGHT	
	⊕	D-00 08 48				
6	⊕	3539749M91		1	HARNESS	
7		3539770M91	C	1	HORN	
8		339124X1		1	SCREW	
9		339374X1		1	LOCK WASHER	
10		3308315M1		2	ABUTMENT	
11	●	1424252M1	N.L.A. (1)	1	GUARD	
12	●	3599307M91	1877721M92 (1)	1	BULB	
			C			
13		3533170M91	B	1	SWITCH,IND	
14		3004861X1	B	1	GASKET	
15		1877731M92	D	1	BULB	
16		2666108		1	SPARK PLUG	
17		3309086M1		2	BLOCK	
18		3533937M1		16	CLAMP	
19	●	395528X1	3307667M91 (1)	1	RETAINER	
20		3304491M1		1	CAP	
21		1424104M92	F	1	SWITCH,IND	
22		339252X1	F	1	NUT	
23	⊕	D-00 06 1		1	HARNESS	

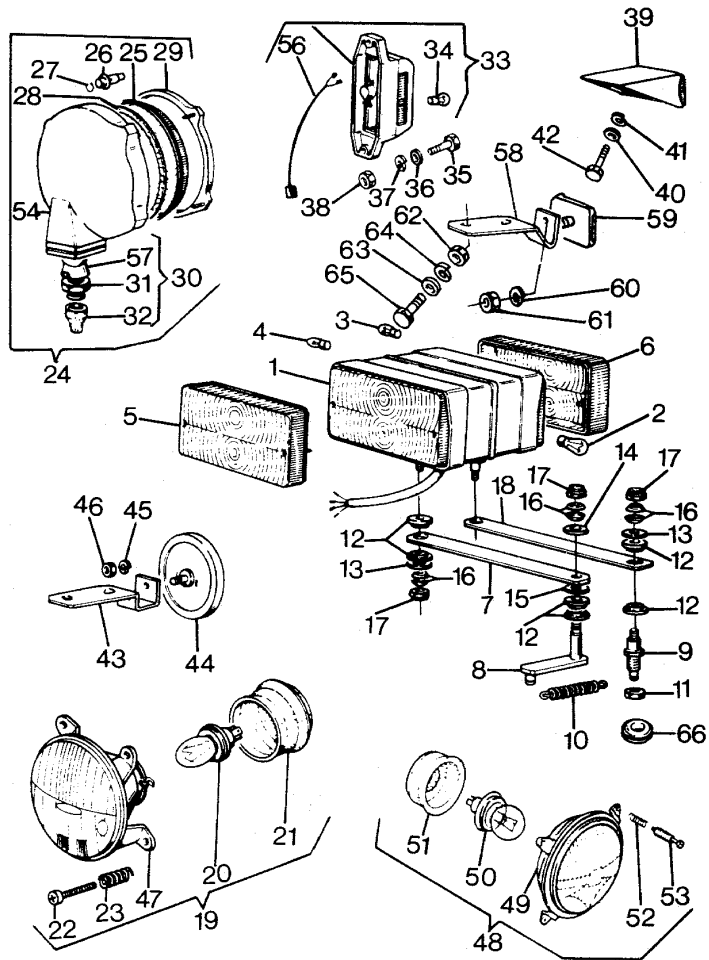
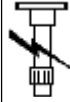
LIGHTING EQUIPMENT

D-00
08

LIGHTING EQUIPMENT

Frutteti 560 L-V 8560L

D0008



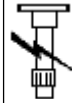
20	965465M1	●	1426618M1 (4)	2	BULB
		!	19		
		!	1426618M1		
			B		
21	3532568M1	!	19	2	GUARD
22	3007933X1	!	19	6	SCREW
23	1860174M1	!	19	6	SPRING
24	3305201M91	◇	D-00 03 26	1	LIGHT
			A		
25	3310299M91	!	24	1	GLASS
26	3217708M1	!	24	1	LAMP
27	3310300M1	!	24	1	SPRING
28	3310575M1	●	N.L.A. (1)	1	GASKET
		!	24		
29	3310540M91	!	24	1	SKIRT
30	3310604M91	!	24	1	BALL JOINT
31	1424336M1	!	30	1	NUT
32	1424337M1	●	3310604M91 (1)	1	COVER
		!	30		
33	3531530M91	◇	D-00 03 38	1	HEADLAMP
34	1420037M1	!	33	1	LAMP
35	3001163X1			2	SCREW
36	3000087X1	●	390469X1 (2)	2	WASHER
37	3006165X1			2	LOCK WASHER
38	390995X1			2	NUT
39	3308241M92		C	2	CAT EYE
40	390469X1		C	4	LOCK WASHER
41	3006155X1		C	4	WASHER
42	1443641X1		C	4	SCREW
43	3308321M1			2	SUPPORT
44	1426901M92			2	CAT EYE
45	339381X1	!	44	2	LOCK WASHER
46	390995X1	!	44	2	NUT

REAR AXLE AND REAR BRAKES

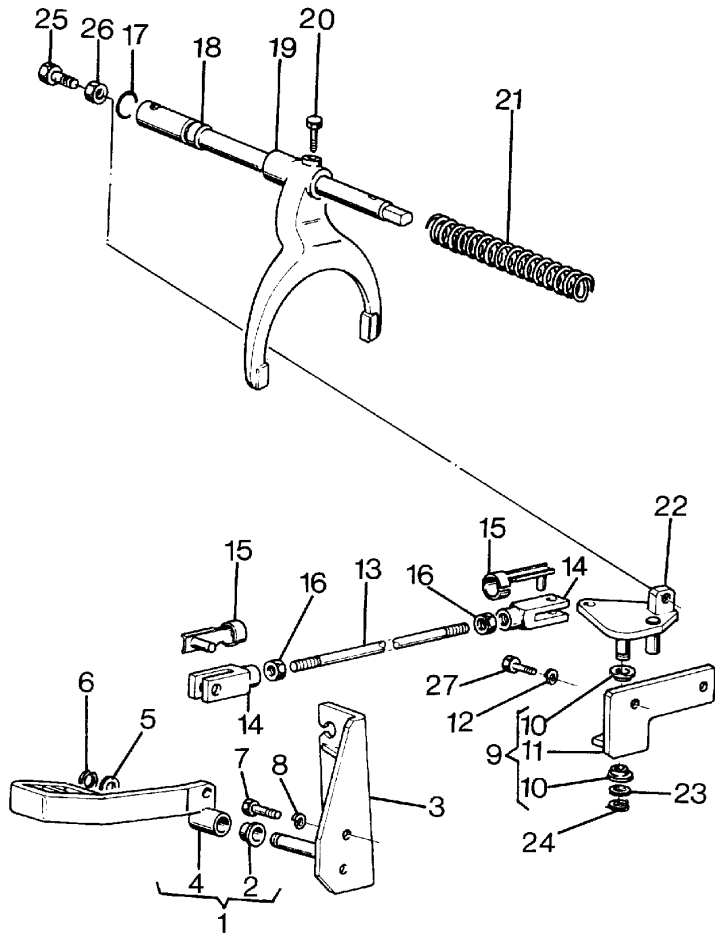
G-40
03

REAR AXLE

Frutteti 560 L-V 8560L



G4003



- | | | | | | |
|----|------------|---|----------------|---|-------------|
| 1 | 3548120M92 | ● | 3548120M93 (1) | 1 | PEDAL |
| 2 | 3307517M1 | ● | 3307517M2 (2) | 2 | BUSH |
| | | ! | 1 | | |
| 3 | 3536290M92 | | | 1 | SUPPORT |
| 4 | | ! | 1 | 1 | PEDAL |
| | | ➤ | REF.N.1 | | |
| 5 | 339300X1 | | | 1 | WASHER |
| 6 | 339069X1 | | | 1 | RING |
| 7 | 3009493X1 | | | 2 | SCREW |
| 8 | 390734X1 | | | 2 | LOCK WASHER |
| 9 | 3307671M91 | | | 1 | SUPPORT |
| 10 | 3307518M1 | ! | 9 | 2 | BUSH |
| 11 | | ! | 9 | 1 | SUPPORT |
| | | ➤ | REF.N.9 | | |
| 12 | 1440314X1 | | | 2 | LOCK WASHER |
| 13 | 3307519M1 | ● | N.L.A. (1) | 1 | TIE ROD |
| 14 | 392466X1 | | | 2 | YOKE |
| 15 | 3307702M91 | | | 2 | PIN |
| 16 | 392309X1 | | | 2 | NUT |
| 17 | 3019914X1 | | | 1 | O RING |
| 18 | 3307516M2 | | | 1 | ROD |
| 19 | 3303305M3 | | | 1 | YOKE |
| 20 | 1425277M1 | | | 1 | SCREW |
| 21 | 973939M1 | | | 1 | SPRING |
| 22 | 3307514M91 | | | 1 | LEVER |
| 23 | 390735X1 | | | 1 | WASHER |
| 24 | 1440474X1 | | | 1 | RING |
| 25 | 391176X1 | | | 1 | BOLT |
| 26 | 392309X1 | | | 1 | NUT |
| 27 | 339081X1 | | | 2 | SCREW |

! THIS IS A COMPONENT OF AN ASSEMBLY
➤ NOT SERVICED, ORDER

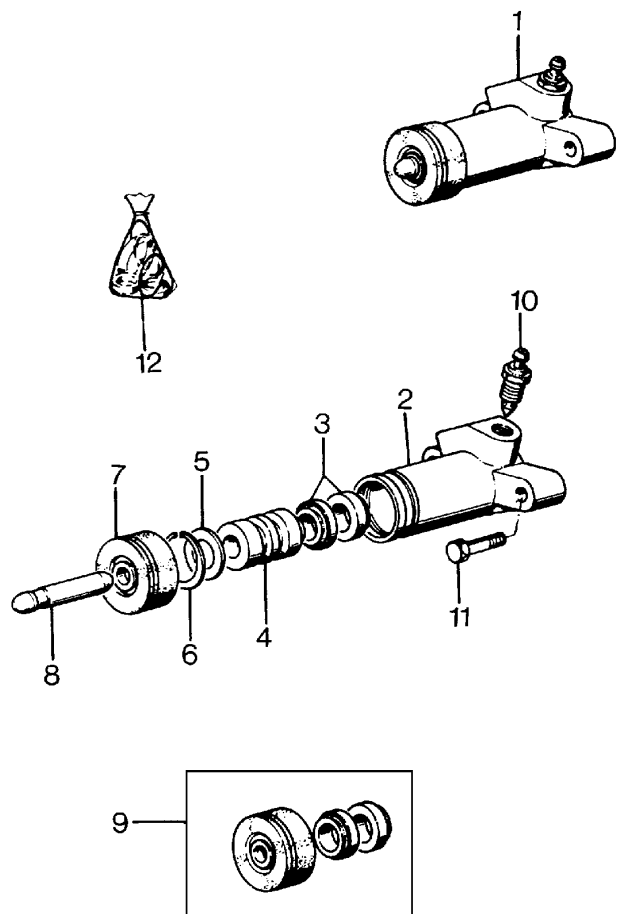
REAR AXLE AND REAR BRAKES

G-40
08

BRAKE

Frutteti 560 L-V 8560L

G4008



1	3302605M91	↖	3302606M91 C AG364014	2	CYLINDER
1	3302606M91	●	3302605M91 (2)	2	CYLINDER
		↖	339351X1 (4)		
			3302605M91		
2		!	1	1	BODY
		➡	REF.N.1		
3		!	1	2	RING
		➡	REF.N.9 A		
3		!	1	2	RING
		➡	REF.N.12 A		
4		!	1	1	PISTON
		➡	REF.N.1		
5		!	1	1	WASHER
		➡	REF.N.1		
6	1441597X1	●	339361X1 (1)	1	RING
		!	1		
			C		
7		!	1	1	GUARD
		➡	REF.N.12 A		
7		!	1	1	GUARD
		➡	REF.N.9 A		
8	3302116M1	●	3540225M91 (1)	1	ROD
		!	1		
			C		
9	3302114M91		C	999	KIT
10	3302516M1	●	3669838M1 (2)	2	SCREW
11	1442018X1		B	4	SCREW

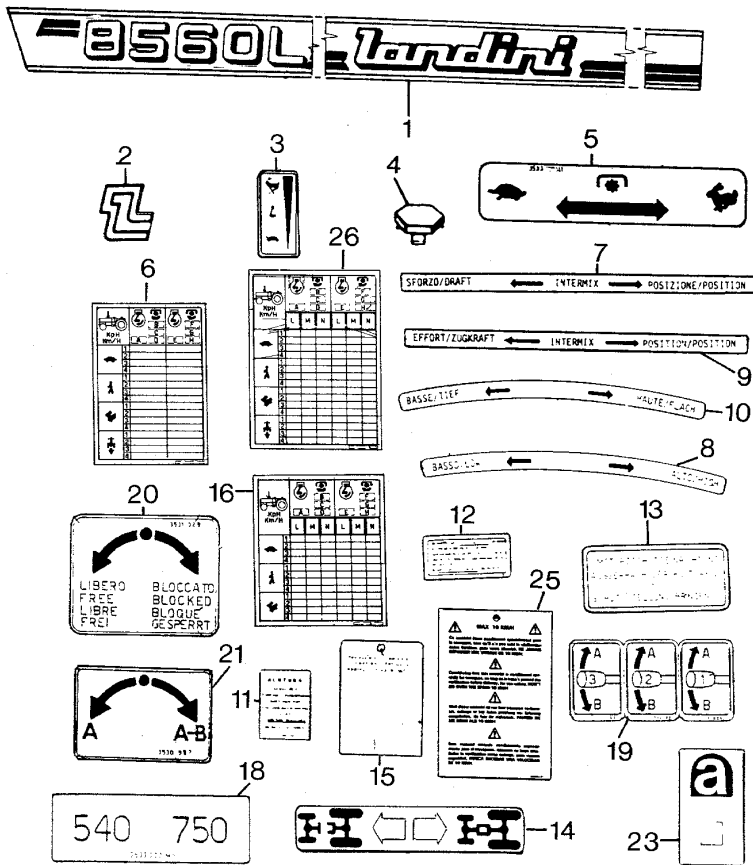
SHEET METAL

R-20
04

DECALS

Frutteti 560 L-V 8560L

R2004



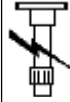
- ▶ FROM SERIAL OR ENGINE NUMBER
- Ⓞ FOR GERMANY ONLY
- Ⓟ FOR FRANCE ONLY
- Ⓜ FOR ITALY ONLY
- Ⓤ FOR U.K. ONLY
- A UP TO SERIAL NO P 13123
- B SHUTTLE VERSION
- H 4 WHEEL DRIVE
- C OVERDRIVE AND SHUTTLE VERSION
- D FROM SERIAL P 13124
- D UNDERDRIVE AND SHUTTLE VERSION
- E SHUTTLE AND CREEPER VERSION
- F OVERDRIVE AND UNDERDRIVE VERSION
- ◀ LEFT HAND
- G OVERDRIVE AND CREEPER VERSION
- ▶ RIGHT HAND
- H UNDERDRIVE AND CREEPER VERSION
- Ⓢ FOR UNITED STATES OF AMERICA

TRANSMISSION

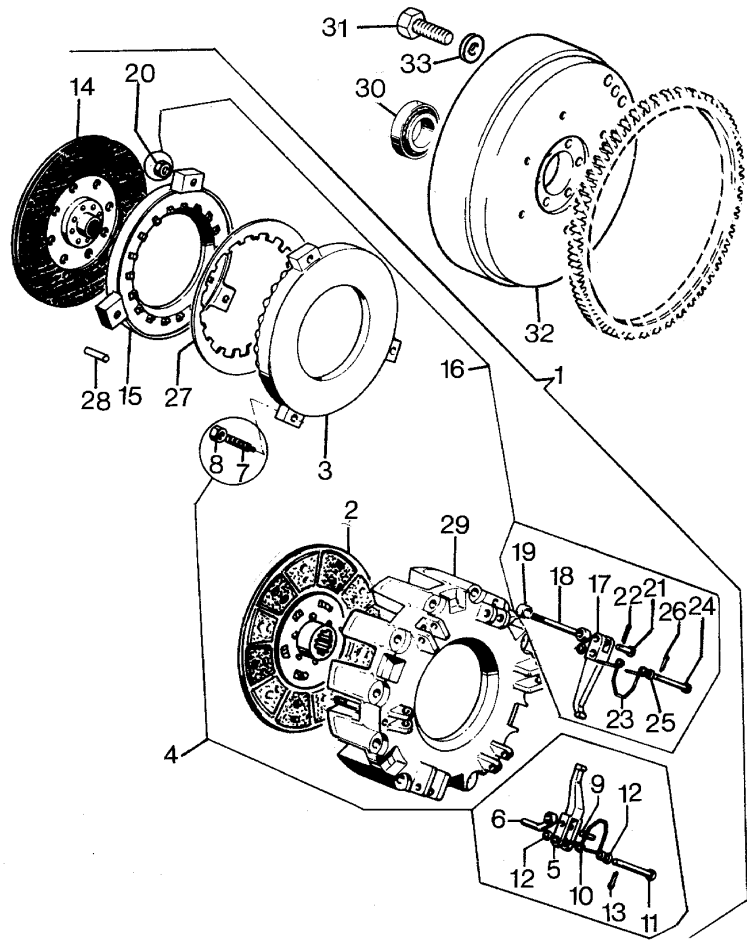
E-04
01

CLUTCH

Frutteti 560 L-V 8560L



E0401



- | | | | | |
|----|-----------|------------------|---|----------|
| 31 | 973013M1 | | 6 | BOLT |
| 32 | 1825511M1 | ● 3653185M91 (1) | 1 | FLYWHEEL |
| 33 | 33117127 | E | 6 | WASHER |
- ! THIS IS A COMPONENT OF AN ASSEMBLY
- ➔ FROM SERIAL OR ENGINE NUMBER
- ➔ UP TO SERIAL OR ENGINE NUMBER
- ➔ NOT SERVICED, ORDER
- B FOR TRANSMISSION
- D FOR P.T.O.
- E SUPPLIED BY PERKINS (SEE ENGINE SECTION)

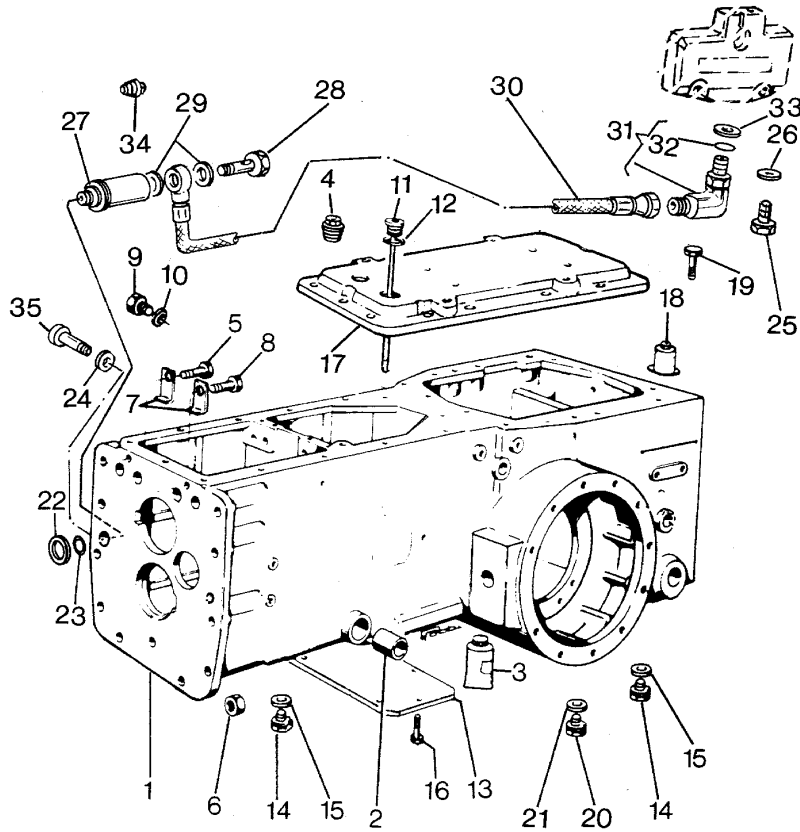
TRANSMISSION

E-04
05

CENTRE AXLE HOUSING AND TRANSMISSION HOUSING

Frutteti 560 L-V 8560L

E0405



33	3548877M1	B	1	WASHER
		D		
34	1442560X1	A	1	PLUG
		D		
35	392890X1	D	1	SCREW
36	3533937M1	B	3	CLAMP

- ! THIS IS A COMPONENT OF AN ASSEMBLY
- ➔ FROM SERIAL OR ENGINE NUMBER
- ➔ UP TO SERIAL OR ENGINE NUMBER
- A WITHOUT LUBRICATOR.
- B WITH LUBRICATOR
- C UP TO SERIAL N.C23013
- II 2 WHEEL DRIVE
- D FROM SERIAL N.C23014
- ◄ LENGTH

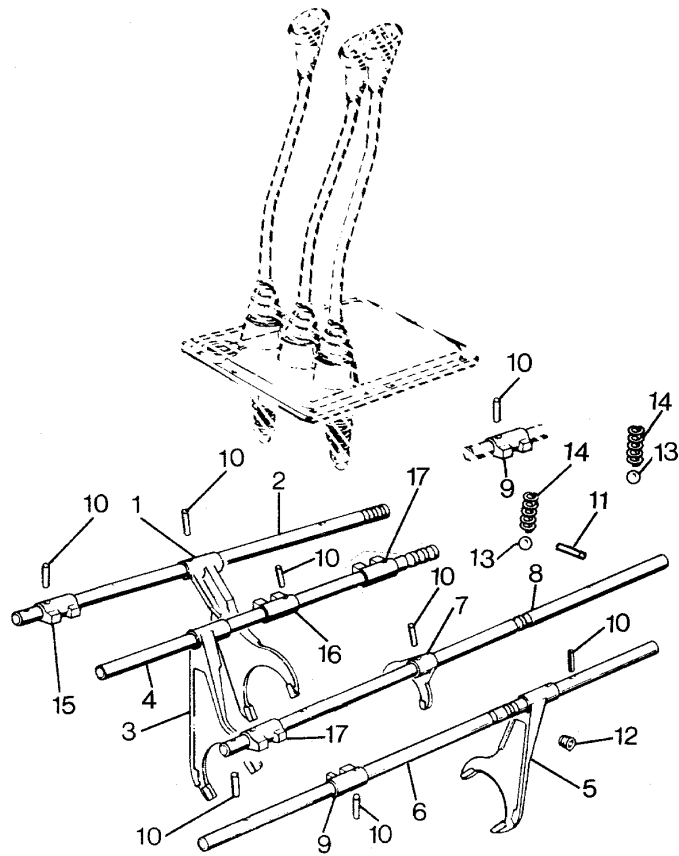
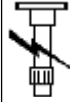
TRANSMISSION

E-04
09

CONTROLS AND TRANSMISSION SHIFT LEVERS

Frutteti 560 L-V 8560L

E0409



1	3530884M3		1	YOKE
2	3535612M3		1	ROD
3	3530709M3		1	YOKE
4	3535613M3		1	ROD
5	3530710M3	● N.L.S. (1)	1	YOKE
		● A29084		
5	3545393M1	● 3545393M2 (1)	1	YOKE
		● A29085		
6	3535614M2	● A29084	1	ROD
6	3546092M1	● 3546092M3 (1)	1	ROD
		● A29085		
7	3532742M3	● 3532742M5 (1)	1	YOKE
8	3535615M2	B	1	ROD
		C		
8	3535616M1	D	1	ROD
9	3532938M2		1	GUIDE
10	1441736X1		8	DOWEL
11	1824702M1		2	PIN
12	1442560X1		2	PLUG
13	361031X1		4	BALL
13	361031X1	D	1	BALL
14	3305061M1		4	SPRING
14	3305061M1	D	1	SPRING
15	3536718M1		1	GUIDE
16	3536717M1		1	GUIDE
17	3533055M2		1	GUIDE



FROM SERIAL OR ENGINE NUMBER



UP TO SERIAL OR ENGINE NUMBER

B

OVERDRIVE-UNDERDRIVE-CREEPER TRANSMISSION

C

"STANDARD" VERSION

D

WITHOUT INSTANT REVERSE TRANSMISSION (SHUTTLE)

D

INSTANT REVERSE TRANSMISSION (SHUTTLE)

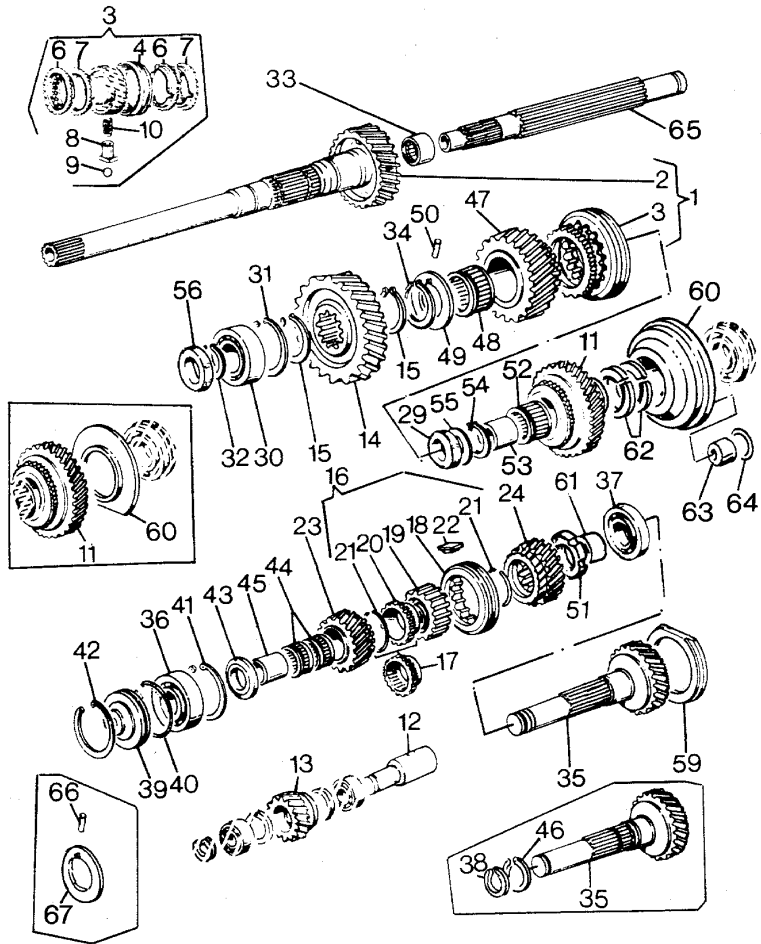
TRANSMISSION

E-04
13

REDUCER

Frutteti 560 L-V 8560L

E0413



- | | | | | | |
|----|-----------|---|--------|--------|--------|
| 61 | 3544709M1 | | 1 | SPACER | |
| 62 | 3548395M1 | ➔ | C23014 | 2 | RING |
| 63 | 3548398M1 | ➔ | C23014 | 1 | PIPE |
| 64 | 831519M1 | ➔ | C23014 | 1 | O RING |
| 65 | 3533956M1 | ➔ | C23013 | 1 | SHAFT |
| 65 | 3548464M1 | ➔ | C23014 | 1 | SHAFT |
| 66 | 3535083M1 | ➔ | A14008 | 1 | PIN |
| 67 | 3309354M1 | ➔ | A14008 | 1 | DISC |
- ! THIS IS A COMPONENT OF AN ASSEMBLY
- ➔ FROM SERIAL OR ENGINE NUMBER
- ➔ UP TO SERIAL OR ENGINE NUMBER
- D FRONT
- ➔ NUMBER OF TEETH/SPLINES
- Y REAR

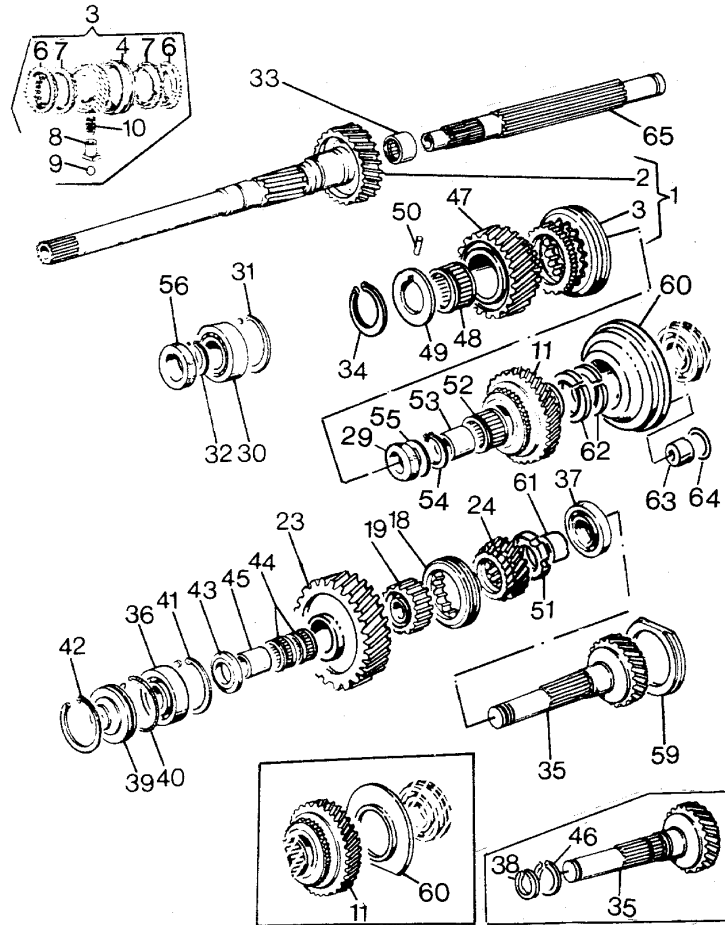
TRANSMISSION

E-04
17

REDUCER

Frutteti 560 L-V 8560L

E0417



40	3305049M1		1	RING
41	339437X1		1	RING
42	1443524X1		1	RING
43	3533955M2	↑ A14008	1	SPACER
43	3544708M1	● 3544708M2 (1)	1	SPACER
		↑ A14009		
44	1440618X1		2	CAGE
45	3533957M1		1	RING
46	392759X1	● 339820X1 (2)	2	RING
		↑ A14008		
47	3534540M1	↑ C23013	1	GEAR
		↑ 55		
47	3550829M1	↑ C23014	1	GEAR
48	392519X1	● 3647577M1 (1)	1	BEARING
49	3309354M1		1	DISC
50	3535083M1		1	PIN
51	392771X1		1	FERRULE
52	3304944M1		1	BEARING
53	3305062M2	↑ C23013	1	BUSH
53	3548467M1	↑ C23014	1	RING
54	3006803X1		1	RING
55	3305063M1	↑ C23013	1	SPACER
55	3548402M1	↑ C23014	1	WASHER
56	973454M1		1	SEAL
59	3309349M1		1	DISC
60	3309350M1	↑ P47062	1	DISC
60	3538775M2	↑ P47063	1	DISC
		↑ C23013		
60	3548466M1	↑ ● 3548466M3 (1)	1	FLANGE
		↑ C23014		
61	3544709M1		1	SPACER
62	3548395M1	↑ C23014	2	RING
63	3548398M1	↑ C23014	1	PIPE

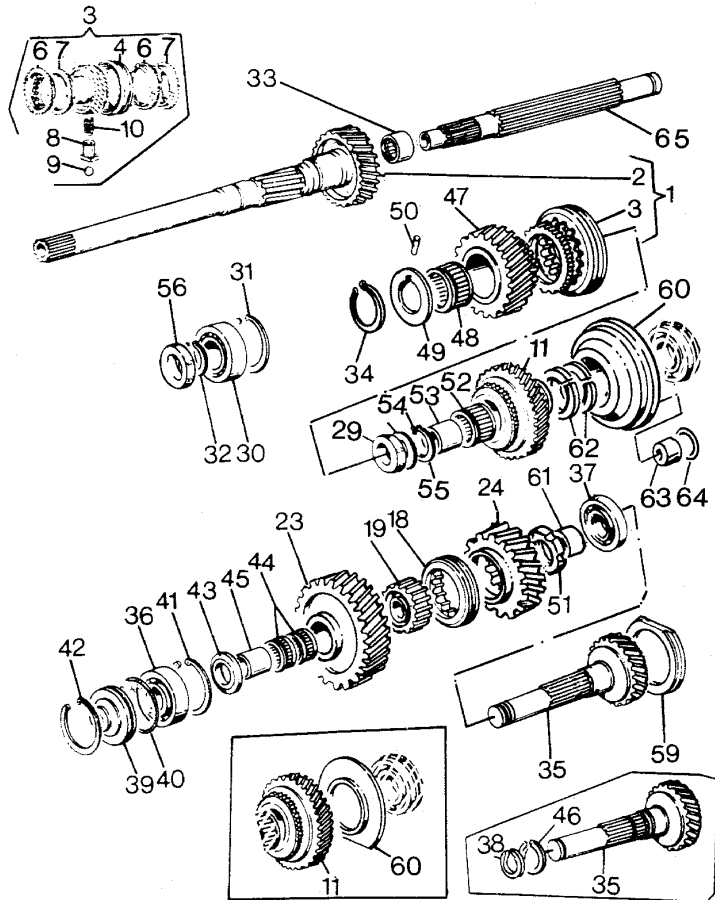
TRANSMISSION

E-04
21

REDUCER

Frutteti 560 L-V 8560L

E0421



8	3538529M1	!	3	GRAZIANO	3	SKATE
8	3539424M1	!	3	CATTINI	3	SKATE
9	1444586X1	!	3		3	BALL
10	3533975M1	!	3	GRAZIANO	3	SPRING
10	3539425M1	!	3	CATTINI	2	SPRING
11	3533978M1	→	1	C23013	1	GEAR
		→		37		
11	3548316M1	→	1	C23014	1	GEAR
18	3533959M1		1		1	SLEEVE
19	3533960M1		1		1	HUB
23	3533965M1	→	1	54	1	GEAR
24	3534909M2	→	1	39	1	GEAR
29	1441802X1	→	1	C23014	1	SEAL
29	1442903X1	→	1	C23013	1	SEAL
30	339818X1		1		1	BEARING
31	339437X1		1		1	RING
32	392759X1	●	1	339820X1 (1)	1	RING
33	3533946M1		1		1	CAGE
34	390232X1		1		1	RING
35	3533954M2	●	1	3305048M2 (1)	1	SHAFT
		→		3544705M1 (1)		
				3544709M1 (1)		
				392771X1 (1)		
				A14008		
35	3544705M1	→	1	A14009	1	SHAFT
36	339436X1		1	D	1	BEARING
37	339818X1		1	Y	1	BEARING
38	339469X1	→	1	A14008	1	RING
39	3305048M2		1		1	COVER

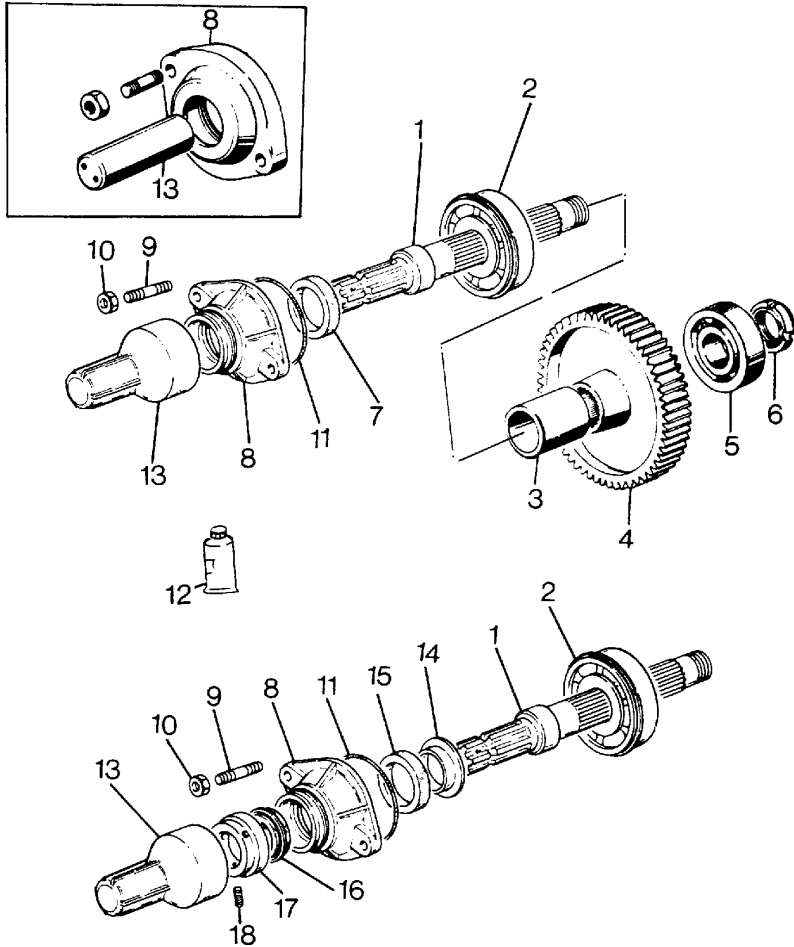
TRANSMISSION

E-04
25

"FRONT" PTO DRIVE SHAFT

Frutteti 560 L-V 8560L

E0425



1	1824899M1	●	3543737M3 (1)	1	SHAFT
		↑	A13044		
1	3543737M2	●	3543737M3 (1)	1	SHAFT
		↑	A13045		
2	831789M1			1	BEARING
3	1825000M1			1	SPACER
4	1825001M3	⚙	54	1	GEAR
5	339436X1	↑	R25054	1	BEARING
5	353105X1	↑	R25055	1	BEARING
6	392771X1			1	FERRULE
7	3019963X1		B	1	RING
8	3533069M1	●	3543738M2 (1)	1	COVER
		↑	3543743M1 (1)		
			390735X1 (2)		
			S33037		
8	3539423M1	●	3543738M2 (1)	1	COVER
		↑	3543743M1 (1)		
		↑	390735X1 (2)		
			S33038		
			A13044		
8	3543738M1	●	3543738M2 (1)	1	COVER
		↑	390735X1 (2)		
			A13045		
9	1440027X1	●	3015155X1 (2)	2	STUD
10	1440200X1			2	NUT
11	359104X1			1	O RING
12	3536801M1			999	LOCTITE
13	1820430M2	↑	S33037	1	GUARD
13	3539430M1	●	3543738M2 (1)	1	GUARD
		↑	3543743M1 (1)		
		↑	S33038		
			A13044		
13	3543743M1	↑	A13045	1	GUARD

CLICK HERE TO **DOWNLOAD** THE COMPLETE MANUAL

- Thank you very much for reading the preview of the manual.
- You can download the complete manual from: www.heydownloads.com by clicking the link below



- Please note: If there is no response to CLICKING the link, please download this PDF first and then click on it.

CLICK HERE TO **DOWNLOAD** THE COMPLETE MANUAL