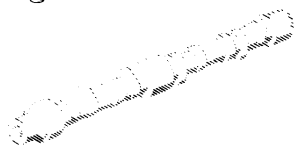
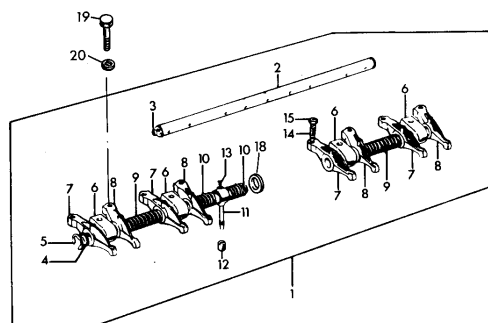


ACCESSORIES AND APPLICATION MISCELLANEOUS

Frutteti 530 F-L-V 7530F



ROCKER ARM



1	ZZ90030		1	AXLE
2	ZZ90032	! 1	1	SHAFT
3	0650507	! 2	2	PLUG
4	33117434	! 1	2	WASHER
5	0170151	! 1	2	CIRCLIP
6	37521332	● 3818X901 (4)	4	SUPPORT
		! 1	1	
7	37371271	● 4115R306 (4)	4	LEVER
		! 1	1	
		▲		
8	37371281	● 4115R305 (4)	4	LEVER
		! 1		
		▼		
9	31744123	! 1	2	SPRING
10	31743108	! 1	2	SPRING
11	3775E011	● 2233022 (1)	1	CONNECTION
		! 3775E012 (1)		
		1		
12	33811113	● 376525X1 (1)	1	OLIVE
13	2231236	! 1	1	SETSCREW
14	0720579	● 32114145 (8)	8	SCREW
		! 1		
15	0576052	! 1	8	NUT
16	31434163	● 3142U031 (8)	8	TAPPET
17	31434307		8	ROD
18	33117426	● 3311K015 (2)	2	SHIM
		! 1		
19	0096634		4	SCREW
20	0920006		4	WASHER
!	THIS IS A COMPONENT OF AN ASSEMBLY			
▲	LEFT HAND			
▼	RIGHT HAND			

CLICK HERE TO **DOWNLOAD** THE COMPLETE MANUAL

- Thank you very much for reading the preview of the manual.
- You can download the complete manual from: www.heydownloads.com by clicking the link below



- Please note: If there is no response to CLICKING the link, please download this PDF first and then click on it.

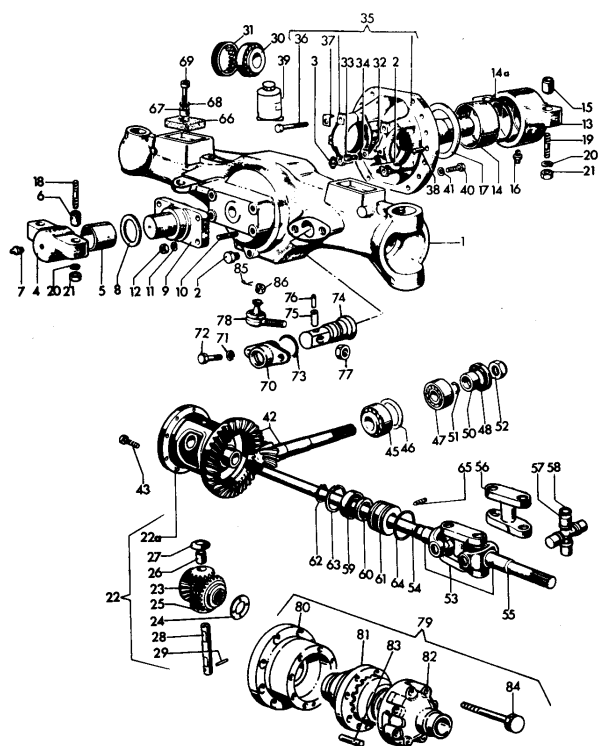
CLICK HERE TO **DOWNLOAD** THE COMPLETE MANUAL

ACCESSORIES AND APPLICATION MISCELLANEOUS

Frutteti 530 F-L-V 7530F



FRONT AXLE



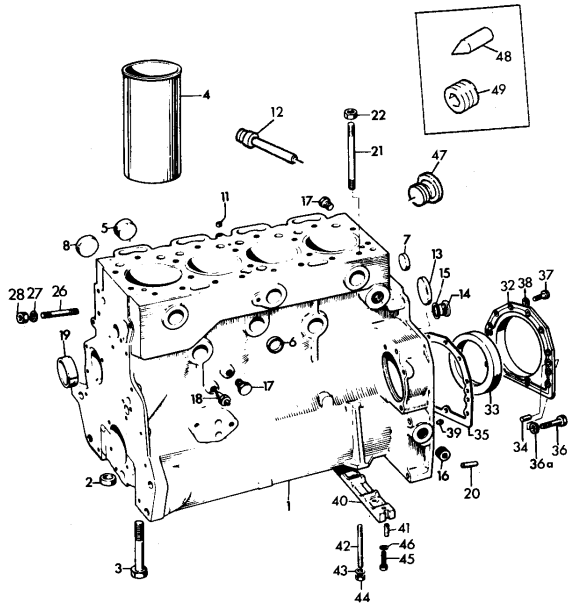
65	391272X1		2	SCREW
66	3309152M1		2	VIBRATION
67	1424838M1		2	SPACER
68	390734X1		2	WASHER
69	1441757X1	D	2	SCREW
69	390580X1		2	SCREW
70	3426143M1		1	FLANGE
71	1440316X1		2	WASHER
72	1441554X1		2	BOLT
73	1441129X1		1	SEAL
74	3426142M1		1	CLEVIS PIN
75	339248X1		1	PIN
76	339193X1		1	PIN
77	390197X1		1	NUT BSF
78	3426167M91	●	3426167M93 (1)	1 UNIVERSAL
79	3426071M92	●	3426071M93 (1)	1 KIT
			C	
80	3426072M1	●	3426072M3 (1)	1 HOUSING
		!	79	
			C	
81	3426074M92	!	79	1 DIFFERENTIAL
			C	
82	3426073M2	!	79	1 HOUSING
			C	
83	3426075M2	!	79	1 PIN
			C	
84	1442901X1	!	79	8 SCREW
			C	
85	3309153M1	●	N.L.A. (2)	2 SPACER
			D	
86	390197X1	!	78	1 NUT BSF

ACCESSORIES AND APPLICATION MISCELLANEOUS

Frutteti 530 F-L-V 7530F



CYLINDER BLOCK



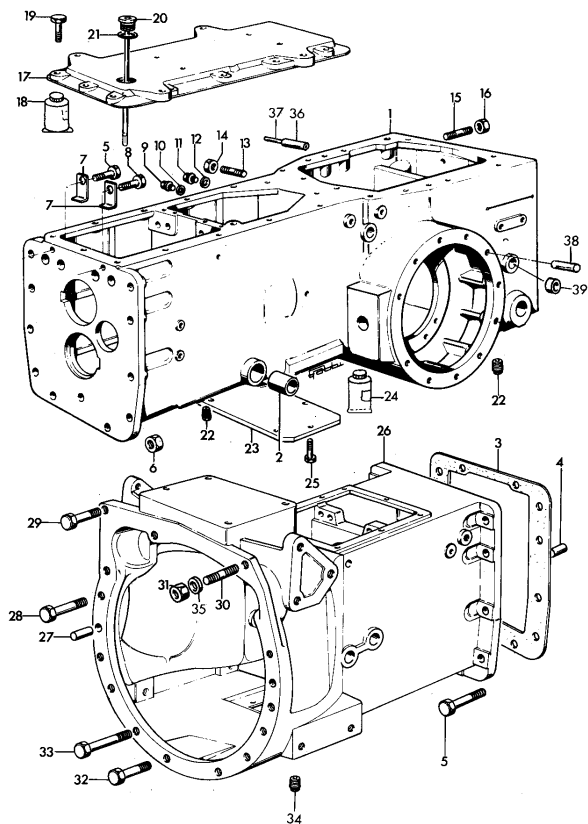
1	ZZ50031	➔		1	KIT
1	ZZ50114	➔		1	KIT
2	33142111	!	1	10	THIMBLE
3	32166329	!	1	10	BOLT
4	31358393	!	1	4	LINER
		➔	U08336N		
			A		
4	31358394	!	1	999	LINER
		➔	U08336N		
			B		
4	3135X031	!	1	4	LINER
		➔	U08337N		
			A		
4	3135X032	!	1	999	LINER
		➔	U08337N		
			B		
5	0650618	●	32418117 (4)	4	PLUG
		!	1		
6	0650563	!	1	6	PLUG
7	0650563	!	1	2	PLUG
8	0650577	●	32416118 (4)	4	PLUG
11	32417134			1	PLUG
12	2485A204			1	PLUG
13	32416105	●	32416119 (1)	1	PLUG
14	0650582			1	PLUG
15	0920130			1	WASHER
16	0650588			1	PLUG
17	2431131			1	PLUG
18	1423895M91	●	1877721M92 (1)	1	SWITCH
		➔	131G00103/231E004		
			11		
18	1877721M92	➔	131G00104/231E004	1	PRESSURE S
			12		
19	31134132	●	31134165 (1)	1	BUSH

ACCESSORIES AND APPLICATION MISCELLANEOUS

Frutteti 530 F-L-V 7530F



CENTRE AXLE HOUSING AND TRANSMISSION HOUSING



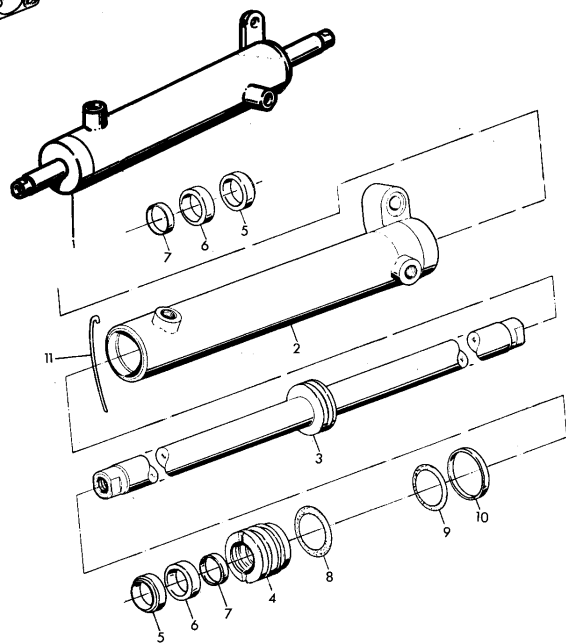
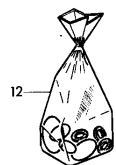
1	3302389M1	●	3302389M2 (1)	1	TRANSM.HOU
1	3304646M3	●	N.L.A. (1)	1	TRANSM.HOU
			C		
			A 38		
			D 38		
2	1423482M1			2	BUSH
3	1824657M3			1	GASKET
4	1440693X1			1	DOWEL
5	391198X1			11	BOLT
6	1440200X1			10	NUT BSF
7	1424374M1			2	PAD
8	391929X1			1	SCREW
9	392757X1			1	PLUG
10	1444745X1			1	RING
11	392798X1			1	PLUG
12	1444746X1			1	RING
13	979708M1			2	STUD
14	1440087X1	●	1440099X1 (2)	2	NUT BSF
15	974743M1	●	3015155X1 (6)	6	STUD
16	1440200X1			6	NUT BSF
17	3303304M2	●	3303304M3 (1)	1	COVER
18	3308788M1			999	LOCTITE
19	339761X1			13	SCREW
20	3303301M91	●	3533054M91 (1)	1	PLUG
21	1440704X1			1	GASKET
22	392735X1			2	PLUG
23	1423503M1			1	COVER
24	3303226M1			999	LOCTITE
25	339401X1			6	SCREW

ACCESSORIES AND APPLICATION MISCELLANEOUS

Frutteti 530 F-L-V 7530F



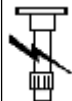
STEERING CYLINDER



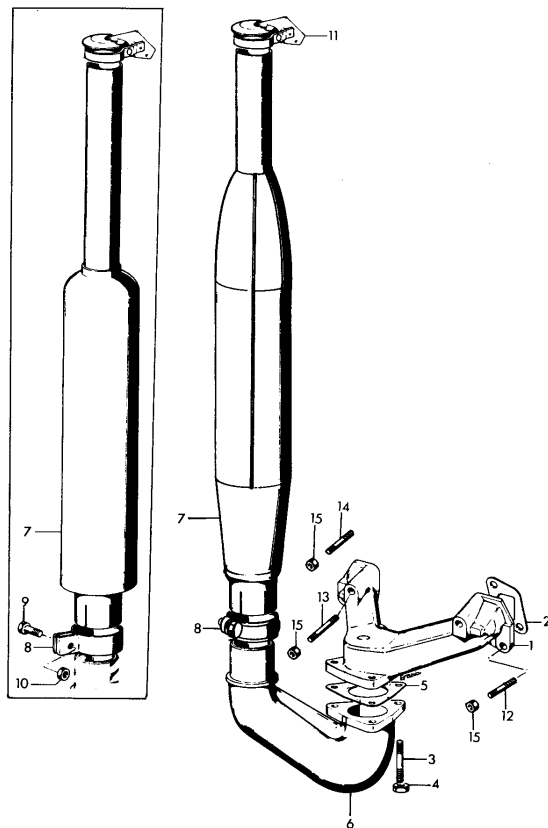
1	3401523M91	●	3426816M91 (1)	1	RAM
			B		
2	3404930M91	●	3426816M91 (1)	1	BARREL
		!	1		
3	3404141M91	●	3426816M91 (1)	1	CYLINDER ROD
		!	1		
4	3404144M1	!	1	1	THIMBLE
5	3312755M1	!	12	2	RING
6	1606462M1	!	12	2	SEAL
7	3404944M1	!	12	2	RING
8	359181X1	●	N.L.A. (1)	1	O RING
		!	12		
9	1749440M1	!	12	1	O RING
10	1749439M1	!	12	1	GASKET
11	1748404M1	!	1	1	CLIP
12	3404145M91			1	KIT SEAL
!					THIS IS A COMPONENT OF AN ASSEMBLY
B					TYPE ESCHWEGE {4} SERIAL NUMBER CYLINDER BODY

ACCESSORIES AND APPLICATION MISCELLANEOUS

Frutteti 530 F-L-V 7530F



EXHAUST MANIFOLD AND MUFFLER



1	37781333		1	MANIFOLD
2	36862159	● 36862189 (2)	2	UNIVERSAL
3	0826627		3	STUD
4	353426X1	● 0576054 (3)	3	NUT UNF
5	36822135	● 3539375M1 (1)	1	GASKET
6	3300940M1		1	PIPE
7	1427799M94	➔ 131H00178/231E004 91	1	MUFFLER
7	3530335M91	➔ 131H00179/231E004 92	1	SILENCER
8	3531415M91	● 3531415M92 (1) ➔ 131H00179/231E004 92	1	CLIP
8	828049M1	➔ 131H00178/231E004 91	1	CLAMP
9	339123X1	➔ 131H00178/231E004 91	1	SCREW
10	392292X1	● 394367X1 (1) ➔ 131H00178/231E004 91	1	NUT
11	190915M91		1	COVER
12	0826490		1	STUD
13	0826510		1	STUD
14	0826410		2	STUD
15	2188135		4	NUT



FROM SERIAL OR ENGINE NUMBER

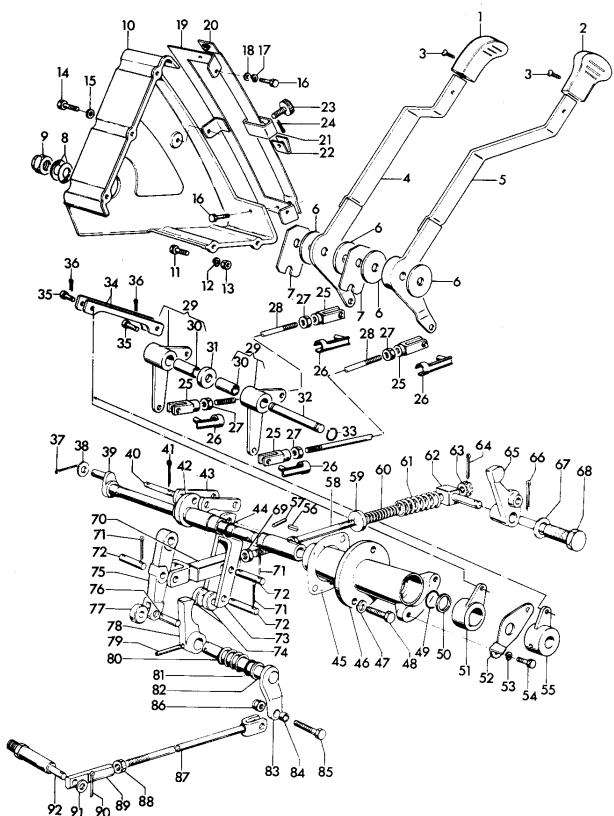
UP TO SERIAL OR ENGINE NUMBER

ACCESSORIES AND APPLICATION MISCELLANEOUS

Frutteti 530 F-L-V 7530F



LIFT CONTROL



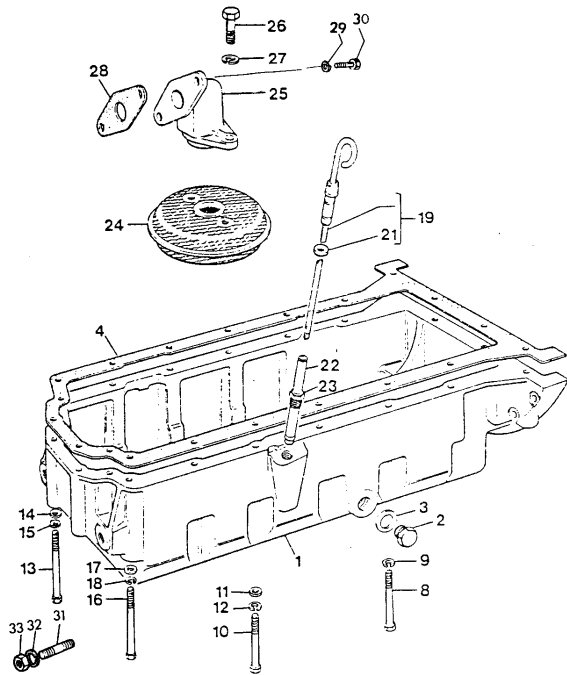
- | | | | | | |
|----|------------|---|------------------------------------------------|---|----------|
| 1 | 3303795M1 | ● | 3647007M3 (1) | 1 | KNOB |
| 2 | 3303876M1 | ● | 3303876M2 (1) | 1 | KNOB |
| 3 | 3002104X1 | | | 2 | BOLT |
| 4 | 3303404M91 | | | 1 | LEVER |
| 5 | 3303405M91 | | | 1 | LEVER |
| 6 | 973078M1 | ● | 973078M2 (4) | 4 | DISC |
| 7 | 1425640M1 | | | 2 | PLATE |
| 8 | 1441075X1 | | | 2 | SPRING |
| 9 | 390881X1 | | | 1 | NUT BSF |
| 10 | 3303802M1 | | | 1 | COVER |
| 11 | 390990X1 | | | 5 | SCREW |
| 12 | 1440312X1 | | | 5 | WASHER |
| 13 | 390995X1 | | | 5 | NUT BSF |
| 14 | 1442186X1 | | | 1 | BOLT |
| 15 | 3006154X1 | | | 1 | WASHER |
| 16 | 339721X1 | | | 4 | SCREW |
| 17 | 1440312X1 | | | 2 | WASHER |
| 18 | 390469X1 | | | 2 | WASHER |
| 19 | 3303342M91 | | | 1 | SUPPORT |
| 20 | 3303344M91 | | | 1 | ROD |
| 21 | 1425632M2 | | | 1 | SLIPPER |
| 22 | 1425633M1 | | | 1 | SPRING |
| 23 | 1425634M91 | | | 1 | SCREW |
| 24 | 1440324X1 | ● | 1442956X1 (1) | 1 | PIN |
| 25 | 1443815X1 | ● | 3308153M1 (4)
3530343M1 (4)
392463X1 (4) | 4 | FORK |
| 26 | 1444492X1 | ● | 3307701M91 (4) | 4 | RETAINER |

ACCESSORIES AND APPLICATION MISCELLANEOUS

Frutteti 530 F-L-V 7530F



LUBRICATING OIL SUMP



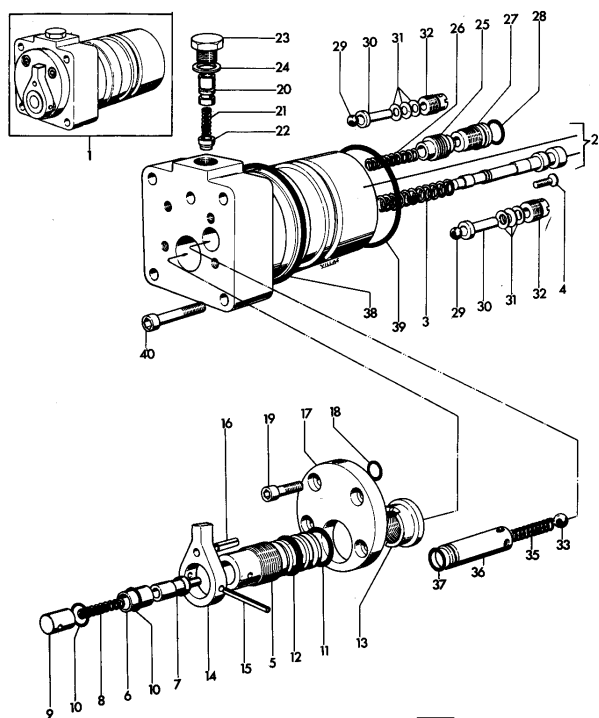
- | | | | | |
|----|----------|----------------|----|-----------|
| 1 | 37171825 | | 1 | SUMP |
| 2 | 2487004 | ● 2415715 (1) | 1 | PLUG |
| | | 32186405 (1) | | |
| 3 | 2411260 | ● 2411287 (1) | 1 | WASHER |
| 4 | 36815721 | ● 3681K003 (1) | 1 | UNIVERSAL |
| 8 | 0096241 | ● 2187332 (11) | 11 | BOLT |
| 9 | 0920053 | | 11 | WASHER |
| 10 | 0096215 | | 1 | SCREW |
| 11 | 0920003 | ● 390972X1 (1) | 1 | WASHER |
| 12 | 0920053 | | 1 | WASHER |
| 13 | 2184435 | ● 2187340 (4) | 4 | SCREW |
| 14 | 0920003 | ● 390972X1 (4) | 4 | WASHER |
| 15 | 0920053 | | 4 | WASHER |
| 16 | 2184435 | ● 2187340 (2) | 2 | SCREW |
| 17 | 0920003 | ● 390972X1 (2) | 2 | WASHER |
| 18 | 0920053 | | 2 | WASHER |
| 19 | 31787437 | | 1 | DIPSTICK |
| 21 | 33812108 | ! 19 | 1 | WASHER |
| 22 | 33435123 | ● 3178C089 (1) | 1 | PIPE |
| | | 33435158 (1) | | |
| 23 | 33533103 | | 1 | NUT |
| 24 | 37725443 | | 1 | STRAINER |
| 25 | 37738261 | | 1 | ELBOW |
| 26 | 0746052 | | 2 | BOLT |

ACCESSORIES AND APPLICATION MISCELLANEOUS

Frutteti 530 F-L-V 7530F



DISTRIBUTOR

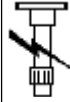


4105

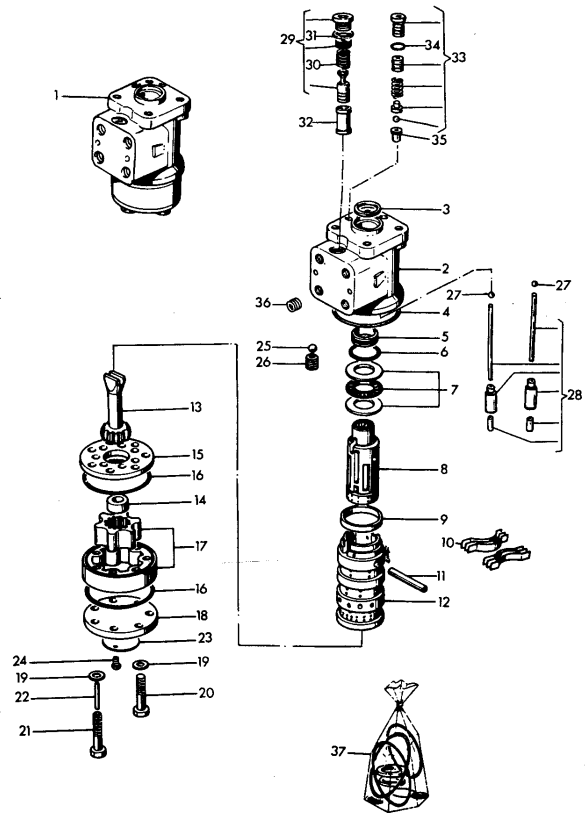
26	1825262M1	!	1		1	SPRING
27	1825263M1	!	1		1	SEAT
28	1441514X1	!	1		1	SEAL
29	361031X1	!	1		2	BALL
30	1825264M1	!	1		2	PIN
31	1441782X1	!	1		40	SPRING
32	1825265M1	!	1		2	SCREW
33	361032X1	●	1		1	BALL
		!	1			
35	1825267M1	●	3300776M1 (1)		1	SPRING
		!	1			
36	1425371M1	●	1425371M2 (1)		1	SLIPPER
		!	1			
37	1441127X1	●	3019926X1 (1)		1	O RING
		!	1			
38	395577X1	●	3673222M1 (1)		1	O RING
		!	1			
39	1441697X1	●	3673221M1 (1)		1	SEAL
		!	1			
40	1441612X1	!	1		4	SCREW
!	THIS IS A COMPONENT OF AN ASSEMBLY					
➡	NOT SERVICED, ORDER					

ACCESSORIES AND APPLICATION MISCELLANEOUS

Frutteti 530 F-L-V 7530F



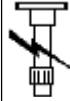
STEERING CONTROL VALVE



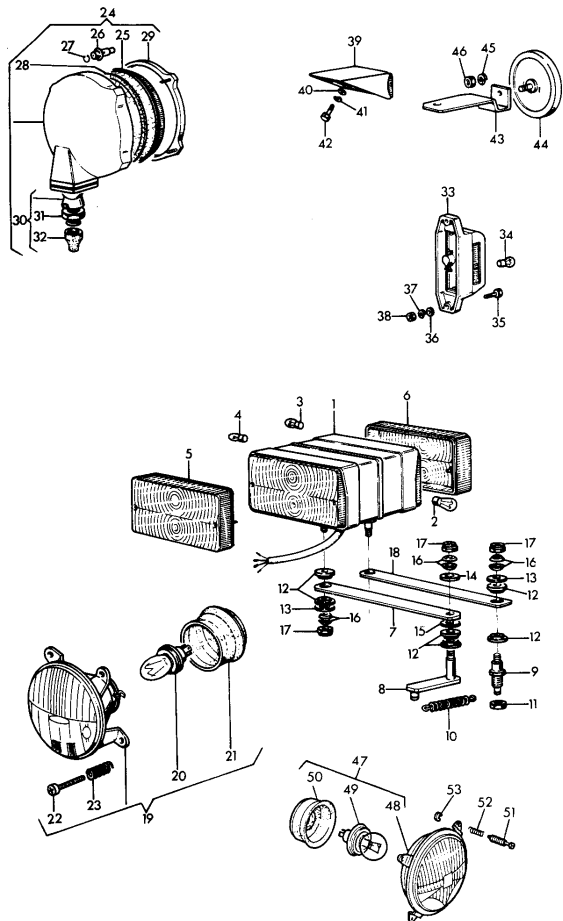
26	1806313M1	!	1		1 SEAT
27	1897434M1	!	1		2 BALL
28	1897435M91	●	1897608M91 (1)	!	1 PACKING
			!	1	
29	1897429M91	●	1897640M91 (1)	!	1 VALVE
			!	1	
30	1897430M1	●	N.L.A. (1)	!	1 SPRING
			!	29	
31	1897431M1	!	29	!	1 GASKET
32		!	1	!	1 SEAT
		▣	3305003M92		
33	1897432M91	!	1	!	2 PACKING
34	1897433M1	!	33	!	1 GASKET
35		!	1	!	2 SEAT
		▣	3305003M92		
36		!	1	!	1 VALVE
		▣	3305003M92		
37	1810503M91	●	3540570M91 (999)	999	KIT,REPAIR
	!	THIS IS A COMPONENT OF AN ASSEMBLY			
	▣	NOT SERVICED, ORDER			
	B	INCLUDED ON REPAIR KIT 1810503M91			

ACCESSORIES AND APPLICATION MISCELLANEOUS

Frutteti 530 F-L-V 7530F



LIGHTS



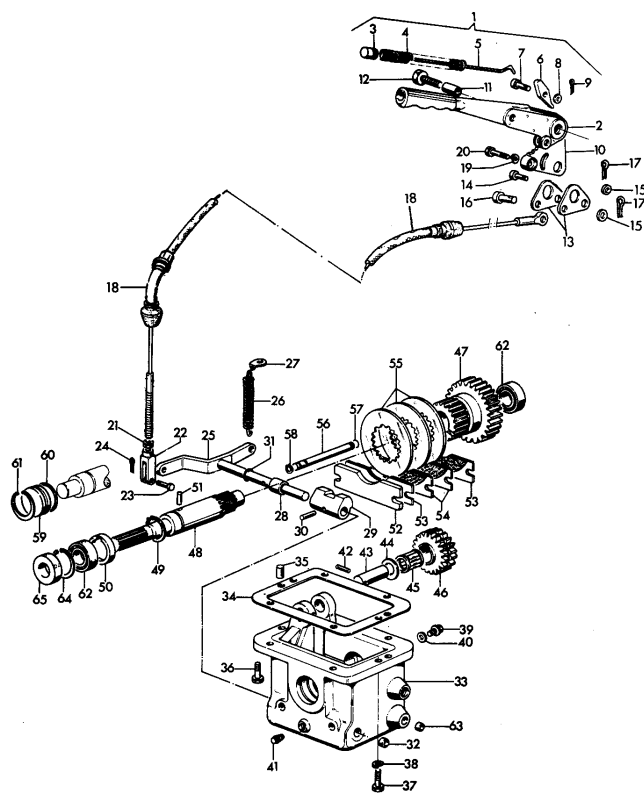
24	3305201M91		1	WORK LIGHT
25	3310299M1	●	3310299M91 (1)	1 WINDOW
		!	24	
26	3217708M1	!	24	1 LAMP
27	3310300M1	!	24	1 SPRING
28	3310575M1	●	N.L.A. (1)	1 GASKET
		!	24	
29	3310540M91	!	24	1 SCREEN
30	3310604M91	!	24	1 TOGGLE
31	1424336M1	!	30	1 NUT
32	1424337M1	●	3310604M91 (1)	1 CAP
		!	30	
33	3303981M91	●	3531530M91 (1)	1 LAMP
34	1420037M1	!	33	1 BULB
35	3001163X1			2 SCREW
36	3000087X1	●	390469X1 (2)	2 WASHER
37	3006165X1			2 DISC
38	390995X1			2 NUT BSF
39	3308241M91	●	3308241M92 (2)	2 REFLECTOR
40	390469X1			4 WASHER
41	3006155X1			4 WASHER
42	1443641X1			4 SCREW
43	3308321M1			2 SUPPORT
44	1426901M92			2 REFLECTOR
45	339381X1	!	44	2 LOCK WASHER
46	390995X1	!	44	2 NUT BSF
47	1672767M91	Ⓢ		2 LAMP
			C	
48	3101961M1	●	1672767M91 (2)	2 LENS
		!	47	
49	961866M1	●	1426618M1 (2)	2 BULB
		!	47	

ACCESSORIES AND APPLICATION MISCELLANEOUS

Frutteti 530 F-L-V 7530F



HAND BRAKE



4110

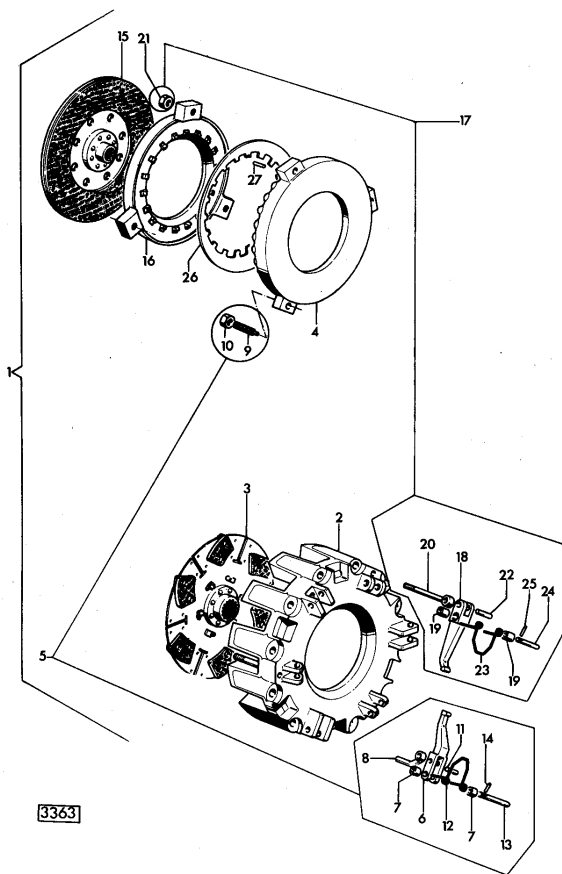
1	3304098M91	●	N.L.A. (1)	1	LEVER
2	3301276M91	!	1	1	LEVER
3	1424868M1	!	1	1	BUTTON
4	1424859M1	!	1	1	SPRING
5	1424860M1	!	1	1	STEM
6	1424869M2	!	1	1	PAWL
7	1424863M1	!	1	1	CLEVIS PIN
8	1424862M1	!	1	1	WASHER
9	390445X1	●	1442962X1 (1)	1	PIN
10	3301267M2	!	1	1	LINING
11	3300994M1	!	1	1	BUSH
12	392769X1	●	395091X1 (1)	1	SCREW
13	3303355M1	●	N.L.A. (2)	2	PLATE
14	392792X1	!	1	1	PIN
15	1440274X1	●	390734X1 (2)	2	WASHER
16	3009827X1	●	N.L.A. (1)	1	CLEVIS PIN
17	1440327X1	●	1442962X1 (2)	2	PIN
18	3304054M91	!	1	1	CABLE
19	1440314X1	!	1	1	WASHER
20	339451X1	●	3015039X1 (1)	1	SCREW
21	1442577X1	!	1	1	NUT
22	1824305M1	●	1824305M2 (1)	1	FORK
23	975528M1	!	1	1	PIN
24	390446X1	!	1	1	PIN
25	3302360M91	!	1	1	LEVER

ACCESSORIES AND APPLICATION MISCELLANEOUS

Frutteti 530 F-L-V 7530F



DUAL CLUTCH



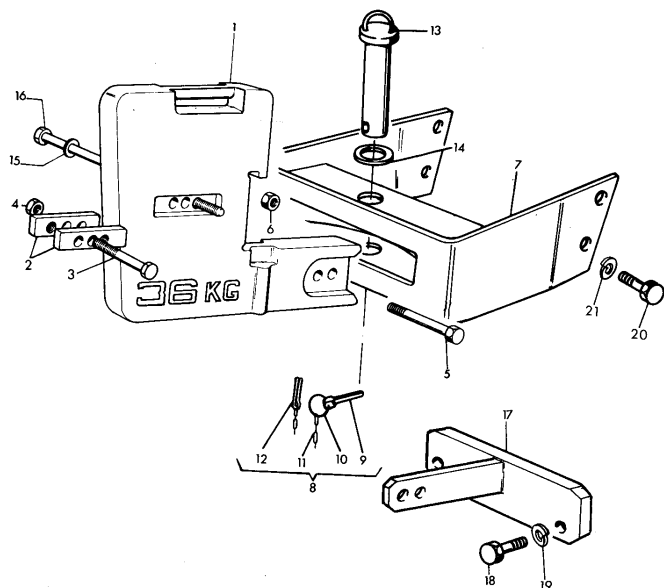
1	3300001M94	●	3304585M95 (1)	1	CLUTCH
2	3300638M2	●	3311396M1 (1)	1	COVER
		!	1		
3	1424149M94	●	3311326M92 (1)	1	DISC
		!	1		
4	3300645M1	●	3300645M2 (1)	1	MOUNTING
		!	1		
5	3300647M92	●	3311398M91 (999)	999	KIT,REPAIR
		!	1		
6	3300640M92	●	3311398M91 (3)	3	LEVER
		!	5		
7		!	5		BUSH
		▣	3300647M92		
8	3300641M1	!	5		STEM
9	3300657M1	!	5		SCREW
10	1442578X1	●	1441303X1 (3)	3	NUT
		!	5		
11	3300642M1	!	5		CLEVIS PIN
12	3300643M1	!	5		SPRING
13	3300644M1	!	5		CLEVIS PIN
14	3000042X1	●	1441726X1 (3)	3	PIN
		!	5		
15	1424135M91	●	1424135M93 (1)	1	GUIDE
		!	1		
16	3300650M1	●	3300650M2 (1)	1	SUPPORT
		!	1		
17	3300651M91	●	3311539M91 (999)	999	PACKING
		!	1		
18	3300648M91	●	3311539M91 (3)	3	LEVER
		!	17		
19		!	17		BUSH
		▣	3300651M91		
20	3300649M1	!	17		STEM

ACCESSORIES AND APPLICATION MISCELLANEOUS

Frutteti 530 F-L-V 7530F



HOOK AND FRONT WEIGHTS



13	1699545M91	●	3052232M92 (1)	1	PIN
			A		
			B		
14	835026M1	!	13	1	O RING
			A		
			B		
15	1441664X1		A	2	WASHER
			B		
16	1441804X1		A	2	SCREW
16	391327X1		B	2	BOLT
17	3306517M91	●	3306517M92 (1)	1	SUPPORT
			A		
			B		
18	391120X1		A	2	SCREW
			B		
19	391414X1		A	2	WASHER
			B		
20		◇	230	4	BOLT
21		◇	230	4	LOCK WASHER
!	THIS IS A COMPONENT OF AN ASSEMBLY				
◇	SEE PAGE - REFERENCE NUMBER				
A	6 WEIGHTS				
B	4 WEIGHTS				

CLICK HERE TO **DOWNLOAD** THE COMPLETE MANUAL

- Thank you very much for reading the preview of the manual.
- You can download the complete manual from: www.heydownloads.com by clicking the link below



- Please note: If there is no response to CLICKING the link, please download this PDF first and then click on it.

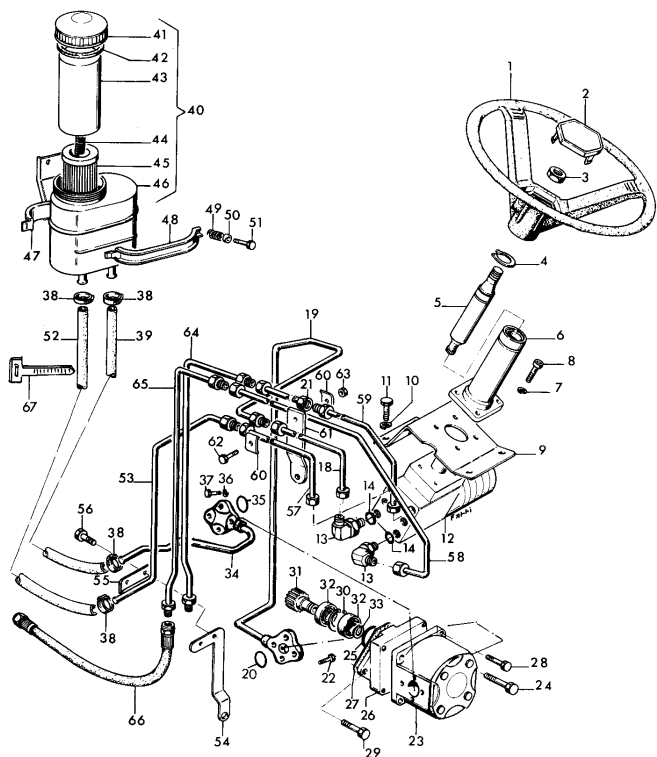
CLICK HERE TO **DOWNLOAD** THE COMPLETE MANUAL

ACCESSORIES AND APPLICATION MISCELLANEOUS

Frutteti 530 F-L-V 7530F



STEERING HYDRAULIC EQUIPMENT



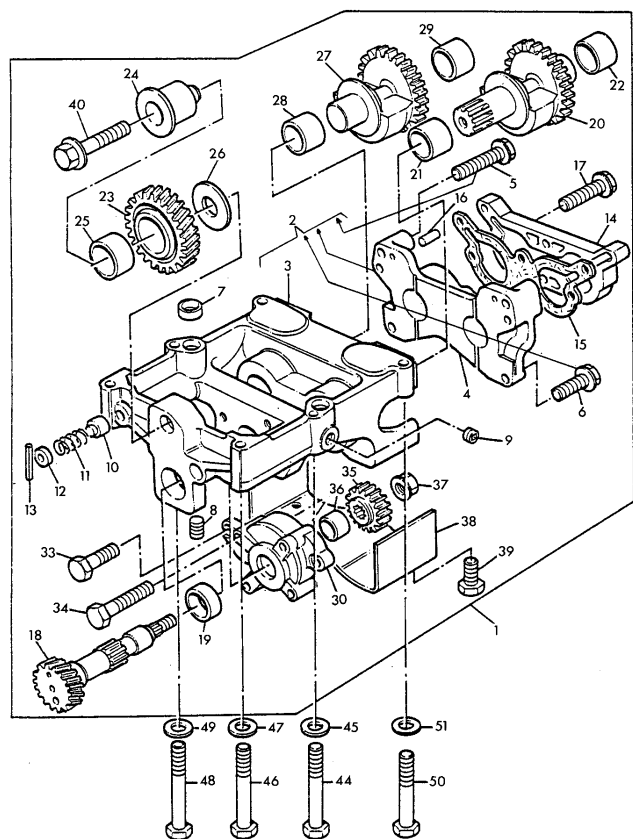
1	3303415M91		1	STEERING W
2		! 1 254	1	CAP
3	1441246X1		1	NUT BSF
4	1440476X1		2	CIRCLIP
5	3303670M1	● 3303670M2 (1)	1	SHAFT
6	3303374M92		1	PIPE
7	1440315X1		4	WASHER
8	339139X1		4	SCREW
9	3303677M2		1	SUPPORT
10	1440313X1	● 339374X1 (4)	4	WASHER
11	339123X1		4	SCREW
12		◇ 144-146-148-150	1	DISTRIBUTOR
13	1426429M91	● N.L.A. (3) 13100068/23100235	3	UNION
13	1426727M91	▶ 13100069/23100236	4	UNION
14	1443243X1	● 1442477X1 (3) 13 13100068/23100235	3	O RING
14	831497M1	! 13 ▶ 13100069/23100236	4	GASKET
15	1426743M1	▶ 13100068/23100235	4	WASHER
16	3303836M91	● 3303836M92 (1) ▶ 13100068/23100235	1	UNION
17	1443243X1	● 1442477X1 (1) ! 16 ▶ 13100068/23100235	1	GASKET
18	3303832M91	▶ 13100011/23100030	1	PIPE
18	3304332M91	A	999	PIPE
18	3305960M91	B	1	PIPE
19	3303851M91		1	PIPE
20	3531002M1	● 1441114X1 (1)	1	GASKET

ACCESSORIES AND APPLICATION MISCELLANEOUS

Frutteti 530 F-L-V 7530F



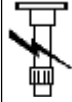
BALANCER UNIT



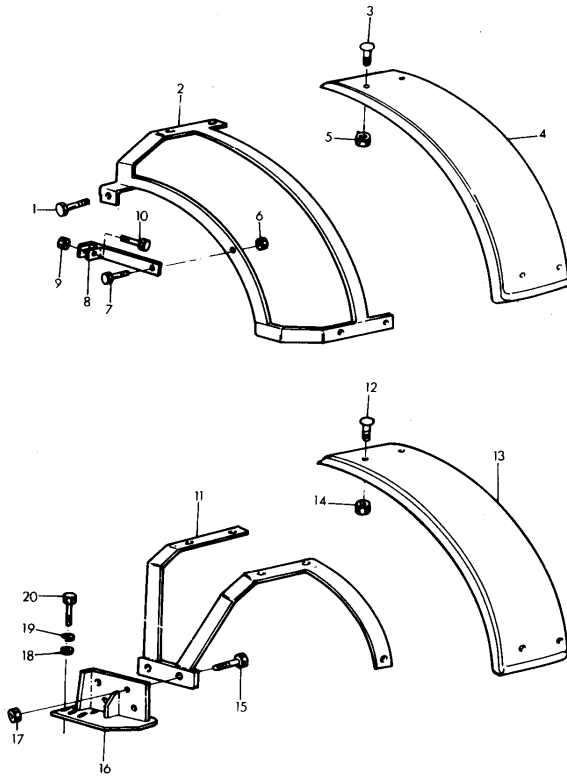
24	33451804	!	1	1 HUB
25	2551A201	!	1	1 BEARING NE
26	3321A002	!	1	1 WASHER
27	3116K001	●	3116K004 (1)	1 WEIGHT
		!	1	
		■	38	
28	2511A730	!	1	1 BUSH
29	2511A730	!	1	1 BUSH
30	4132F021	●	4132F041 (1)	1 PUMP
		!	1	
33	2315C053	●	2314H006 (1)	1 SCREW
		!	1	
34	2315C059	●	2314H012 (2)	2 SCREW
		!	1	
35	3116W001	!	1	1 GEAR
		■	24	
36	2551A014	!	1	1 BEARING NE
37	3348Y001	!	1	1 NUT
38	3661M001	!	1	1 COVER
39	2314C034	!	1	4 SCREW
40	2314J606	!	1	1 SCREW
44	0096442	●	2185551 (1)	1 BOLT
45	33115129			1 WASHER
46	0096441			2 BOLT
47	33115129			2 WASHER
48	0096441			1 BOLT
49	33115129			1 WASHER
50	0096439			2 BOLT
51	33115129			2 WASHER

ACCESSORIES AND APPLICATION MISCELLANEOUS

Frutteti 530 F-L-V 7530F



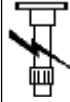
FRONT FENDERS



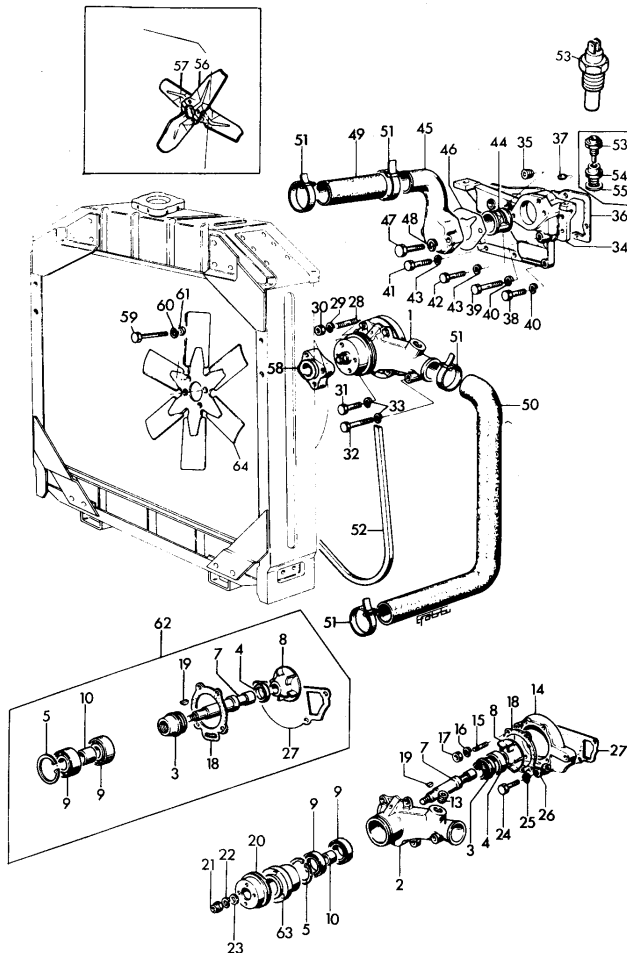
1	1441300X1	●	N.L.A. (2) A	2	BOLT
2	3103800M1	●	N.L.A. (1) A	1	SUPPORT
2	3103801M1	●	N.L.A. (1) A	1	SUPPORT
3	3000624X1		A	8	SCREW
4	3304608M1	●	3304608M2 (2) A	2	FENDER
5	391056X1		A	8	NUT BSF
6	391056X1		A	2	NUT BSF
7	339123X1		A	2	SCREW
8	3103802M1		A	1	NUT
8	3103803M1	●	N.L.A. (1) A	1	PLATE
9	391056X1		A	2	NUT BSF
10	339011X1		A	2	BOLT
11	3103804M1		B	1	SUPPORT
11	3103805M1	●	N.L.A. (1) B	1	SUPPORT
12	3000624X1		B	10	SCREW
13	3304608M1	●	3304608M2 (2) B	2	FENDER
14	391056X1		B	10	NUT BSF
15	391375X1		B	4	SCREW
16	3103806M1	●	N.L.A. (1) B	1	SUPPORT
16	3103807M1		B	1	SUPPORT
17	1442190X1		B	4	NUT BSF
18	1440289X1	●	VP316455 (8) B	8	WASHER
19	339369X1		B	8	LOCK WASHER
20	1441455X1		B	8	BOLT
A			TIRE 5.00-16" 6.00-16"		
B			TIRE 7.50-16" 7.50-18"		

ACCESSORIES AND APPLICATION MISCELLANEOUS

Frutteti 530 F-L-V 7530F



WATER PUMP AND FAN



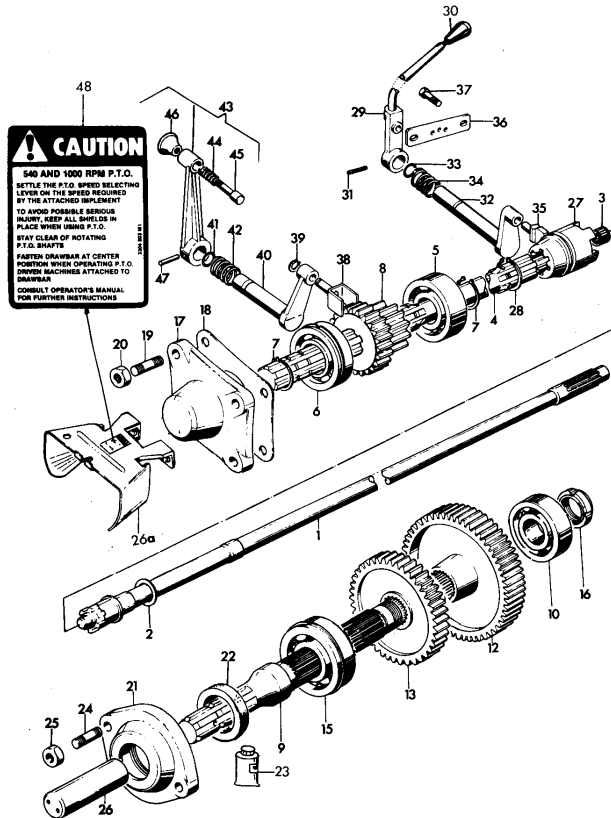
1	41313225	●	U5MW0104 (1)	1	PUMP
2		!	1	1	FRONT
3	2415216	▶	41313225	1	SEAL
4	2417208	!	A	1	SEAL
		●	N.L.A. (1)	1	
		!	1	1	
		A		1	
5	0170040	!	1	1	CIRCLIP
		A		1	
7		!	1	1	SHAFT
		▶	U7LW0006	1	
8		!	1	1	IMPELLER
		▶	U7LW0006	2	
9		!	1	2	BEARING
		▶	U7LW0006	1	
10		!	1	1	SPACER
		▶	U7LW0006	1	
11		!	1	1	FLANGE
		▶	U7LW0006	1	
13	2431154			1	PLUG
14	37711662	●	2186202 (4)	1	BODY
			37711665 (1)		
15	0826212	●	2217073 (4)	4	STUD
16	0920053			4	WASHER
17	0576002	●	353916X1 (4)	4	NUT
18	36866724	●	3687T002 (1)	1	UNIVERSAL
			A		
19	0500006		A	1	KEY
20	31146009	▶	U825422J	1	PULLEY

ACCESSORIES AND APPLICATION MISCELLANEOUS

Frutteti 530 F-L-V 7530F



POWER TAKE OFF



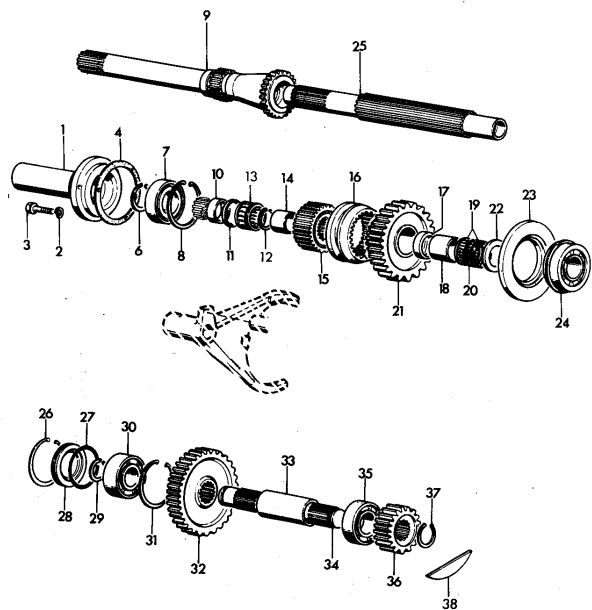
- | | | | | | |
|----|------------|---|-------------------|-----|----------|
| 22 | 1441256X1 | ● | 3306228M1 (1) | 1 | SEAL |
| | | ↑ | 13100052/23100174 | | |
| 22 | 3306228M1 | ↑ | 13100053/23100175 | 1 | SEAL |
| 23 | 3308788M1 | | CC.250 | 999 | LOCTITE |
| 24 | 974743M1 | ● | 3015155X1 (2) | 2 | STUD |
| 25 | 1440088X1 | ● | 1440200X1 (2) | 2 | NUT |
| 26 | 1820430M2 | | | 1 | GUARD |
| 26 | 3530074M91 | | D | 1 | GUARD |
| | | | ITEM 26A | | |
| 27 | 1423682M3 | | | 1 | SLEEVE |
| 28 | 339469X1 | | | 1 | SEGMENT |
| 29 | 3303774M92 | | | 1 | LEVER |
| 30 | 973075M1 | | | 1 | KNOB |
| 31 | 339071X1 | | | 1 | PIN |
| 32 | 1423687M1 | ● | 1423687M3 (1) | 1 | LEVER |
| 33 | 3531005M1 | ● | 3019914X1 (1) | 1 | O RING |
| 34 | 974435M2 | | | 1 | SPRING |
| 35 | 974436M1 | ● | 974436M2 (1) | 1 | LEVER |
| 36 | 1423686M2 | | | 1 | SELECTOR |
| 37 | 339123X1 | | | 2 | SCREW |
| 38 | 1825491M91 | ● | 1825491M92 (1) | 1 | FORK |
| 39 | 339422X1 | | | 1 | CIRCLIP |
| 40 | 1825490M1 | | | 1 | LEVER |
| 41 | 3531005M1 | ● | 3019914X1 (1) | 1 | O RING |
| 42 | 974435M2 | | | 1 | SPRING |
| 43 | 1426513M91 | ● | 3532656M92 (1) | 1 | LEVER |

ACCESSORIES AND APPLICATION MISCELLANEOUS

Frutteti 530 F-L-V 7530F



REDUCER



- | | | | | |
|----|-----------|------------|---|--------------|
| 31 | 339437X1 | | 1 | CIRCLIP |
| 32 | 3305050M1 | 52 | 1 | GEAR |
| 33 | 3305051M1 | N.L.A. (1) | 1 | BUSH |
| 34 | 3305047M1 | | 1 | SHAFT |
| 35 | 339436X1 | | 1 | BEARING BALL |
| 36 | 3305052M1 | 23 | 1 | GEAR |
| 37 | 339820X1 | | 1 | CIRCLIP |
| 38 | 3305044M1 | | 1 | KEY |



SEE PAGE - REFERENCE NUMBER



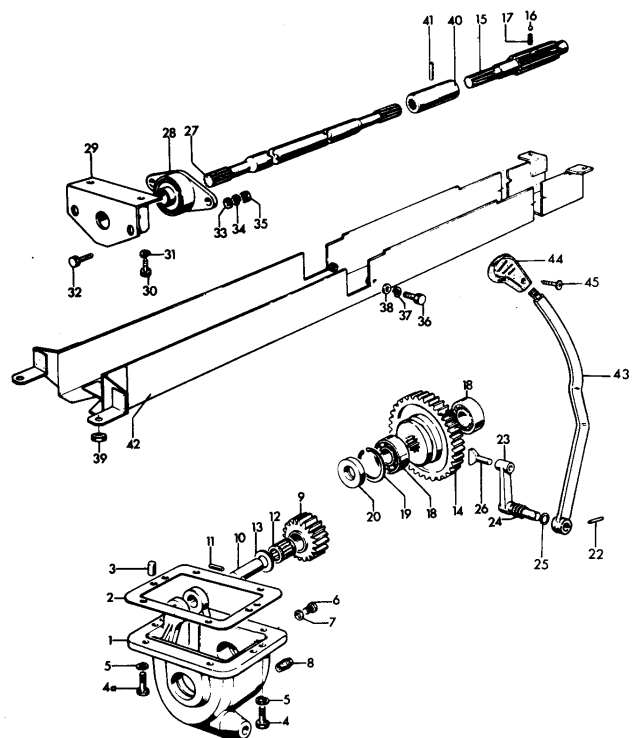
NUMBER OF TEETH/SPLINES

ACCESSORIES AND APPLICATION MISCELLANEOUS

Frutteti 530 F-L-V 7530F



TRANSFER GEAR BOX



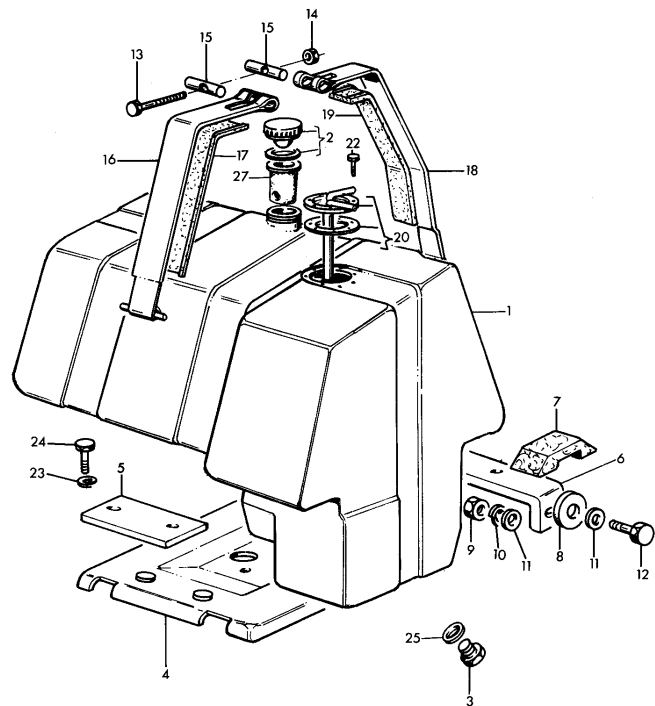
29	1427375M91	●	1440314X1 (2)	1	SUPPORT
			339018X1 (2)		
			339402X1 (2)		
			3547682M91 (1)		
			390734X1 (2)		
30	339299X1			2	SCREW
31	1440315X1			2	WASHER
32	391886X1			2	BOLT
33	390973X1			2	WASHER
34	1440316X1			2	WASHER
35	339079X1			2	NUT
36	339008X1	●	339337X1 (2)	2	BOLT
37	1440313X1	●	339374X1 (2)	2	WASHER
38	390972X1			2	WASHER
39	392370X1			2	NUT BSF
40	1824119M1	●	1824119M2 (2)	2	SLEEVE
41	339248X1			2	PIN
42	3300745M91	●	3300745M96 (1)	1	GUARD
43	3303795M1	●	3647007M3 (1)	1	KNOB
44	3303795M1	●	3647007M3 (1)	1	KNOB
45	3002104X1			1	BOLT

ACCESSORIES AND APPLICATION MISCELLANEOUS

Frutteti 530 F-L-V 7530F



FUEL TANK



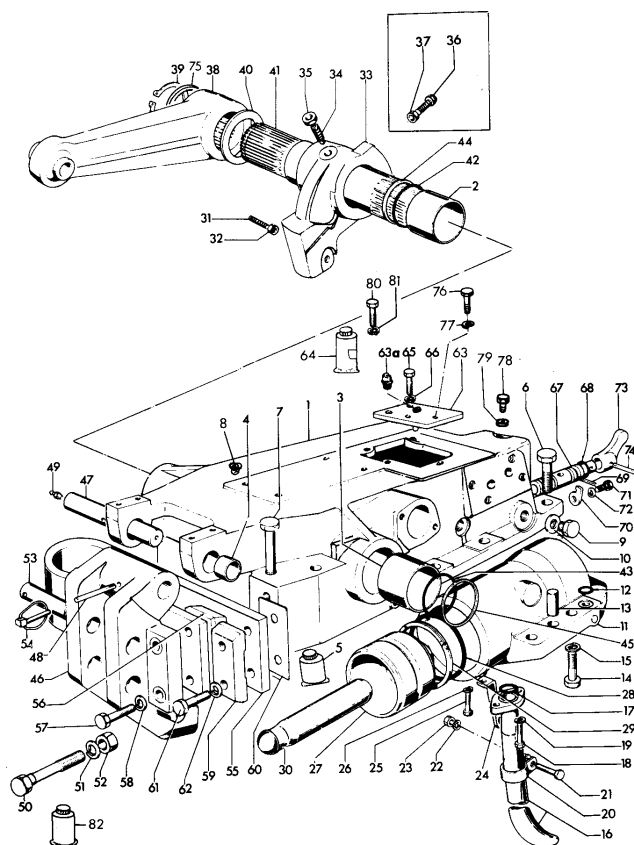
1	3530855M91	●	3530725M95 (1)	1	TANK
2	3307650M91			1	PLUG
3	3530186M1	●	3553478M1 (1) 364784X1 (1)	1	SCREW
4	3308151M1	●	3308151M94 (1)	1	SUPPORT
5	3308156M1			1	GASKET
6	3308150M91	●	3530408M91 (1) 131E00194/231E005 22	1	CROSSPIECE
6	3530408M91	➔	131E00195/231E005 23	1	SUPPORT
7	3308155M1	●	3532502M1 (4)	4	CHOCK
8	3308247M1			2	GASKET
9	339169X1	●	394367X1 (2)	2	NUT BSF
10	1440313X1	●	339374X1 (2)	2	WASHER
11	390972X1			4	WASHER
12	339761X1			2	SCREW
13	1441714X1	●	3015036X1 (2)	2	SCREW
14	1441500X1			2	LOCKNUT
15	3307649M1			4	CLEVIS PIN
16	3308249M92			2	BRIDLE
17	3308248M2	!	16	2	GASKET
18	3308250M92			2	BRIDLE
19	3308248M2	!	18	2	GASKET
20	3307091M91	●	3307091M92 (1)	1	SENDER
22	1443641X1			6	SCREW
23		◇	170	2	LOCK WASHER
24		◇	170	2	BOLT

ACCESSORIES AND APPLICATION MISCELLANEOUS

Frutteti 530 F-L-V 7530F



HYDRAULIC LIFT



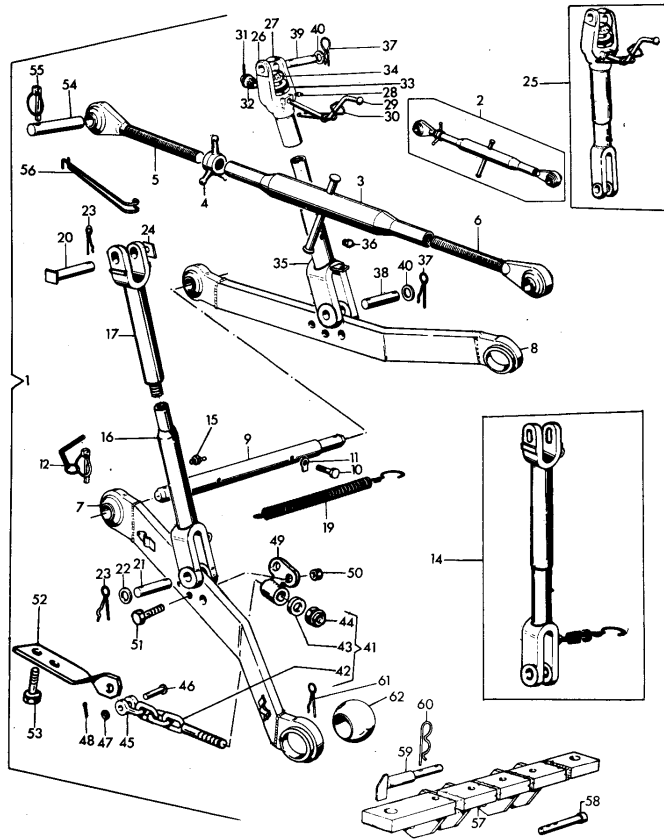
- ! THIS IS A COMPONENT OF AN ASSEMBLY
- ➔ FROM SERIAL OR ENGINE NUMBER
- ➔ UP TO SERIAL OR ENGINE NUMBER
- A UP TO SERIAL OR ENGINE NUMBER 13100004, 2 WHEEL DRIVE ,
UP TO SERIAL OR ENGINE NUMBER 23100070 25 KM/H, 4
WHEEL DRIVE , UP TO SERIAL OR ENGINE NUMBER
A/13100068, 2 WHEEL DRIVE , UP TO SERIAL OR ENGINE
- B FROM SERIAL OR ENGINE NUMBER
- B FROM SERIAL OR ENGINE NUMBER 13100005, 2 WHEEL DRIVE ,
FROM SERIAL OR ENGINE NUMBER 23100071, 4 WHEEL DRIVE ,
UP TO SERIAL OR ENGINE NUMBER , 2 WHEEL DRIVE , 4
WHEEL DRIVE 25 KM/H
- B WITHOUT HYDRAULIQUE TRAILER BEAKING SYSTEM

ACCESSORIES AND APPLICATION MISCELLANEOUS

Frutteti 530 F-L-V 7530F

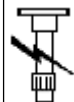


LINKAGE



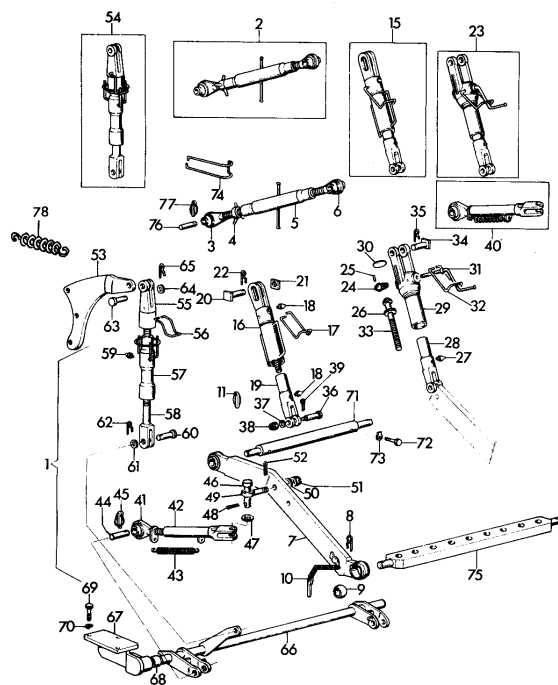
41	3303758M91	●	1440267X1 (2)	2	CHAIN
		!	1825448M1 (2)		
			1825449M1 (2)		
			3005984X1 (2)		
			3303999M91 (2)		
			339129X1 (2)		
			339617X1 (2)		
			1		
			A		
			B		
42	3303999M91	!	41	2	ROD
			A		
			B		
43	3005984X1	!	41	2	WASHER
			A		
			B		
44	1442653X1	●	339617X1 (2)	2	NUT BSF
		!	41		
			A		
			B		
45	1825448M1	!	41	2	SHACKLE
			A		
			B		
46	1825449M1	!	41	2	PIN
			A		
			B		
47	1440267X1	!	41	2	WASHER
			A		
			B		
48	339129X1	!	41	2	PIN
			A		
			B		
49	3303394M1	!	1	1	PLATE
		▲	1		
			A		
			B		

ACCESSORIES AND APPLICATION MISCELLANEOUS



Frutteti 530 F-L-V 7530F

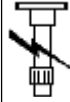
LINKAGE



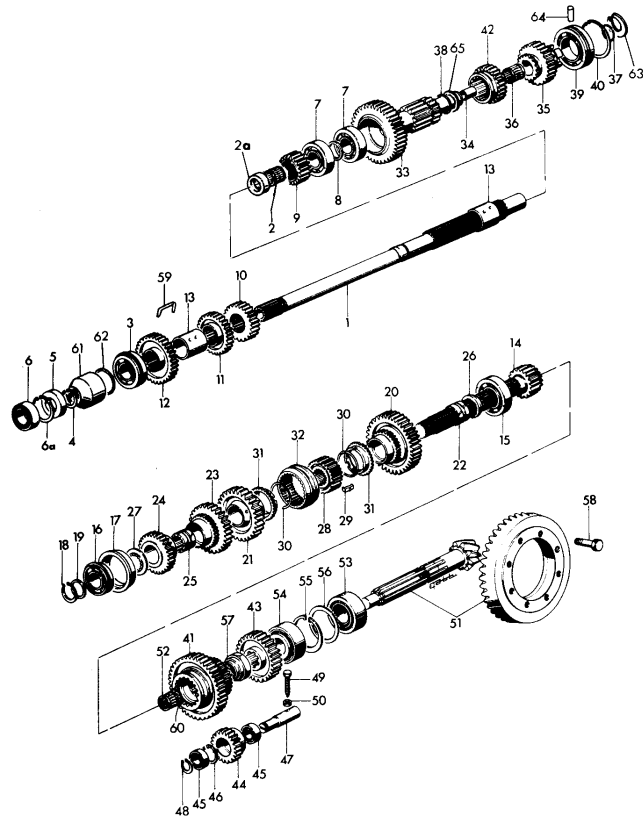
1	3307080M93	Z	1	HITCH
1	3307541M93	B	1	HITCH
2	1825390M92	●	3533899M91 (1)	1
		!	1	Z
2	1825402M92	!	1	ROD
		B		
3	1825391M91	!	2	TOGGLE
		B		
		Z		
4	1825401M1	!	2	NUT
		B		
		Z		
5	1825397M92	!	2	TOP LINK
		B		
		Z		
6	1825403M91	!	2	ROD
		B		
6	3301956M91	Z	1	LINK
7	3307498M91	!	1	2
		B		ROD
7	3307499M91	!	1	2
		Z		ROD
8	3306953M1	!	7	2
		B		PIN
		Z		
9	3306954M1	!	1	2
		Z		TOGGLE
9	3306955M1	!	1	2
		B		BALL
10	1825417M91	!	1	2
		B		PIN
		Z		
11	1825168M91	●	1426056M91 (2)	2
		!	1	PIN
		B		
		Z		

ACCESSORIES AND APPLICATION MISCELLANEOUS

Frutteti 530 F-L-V 7530F



TRANSMISSION



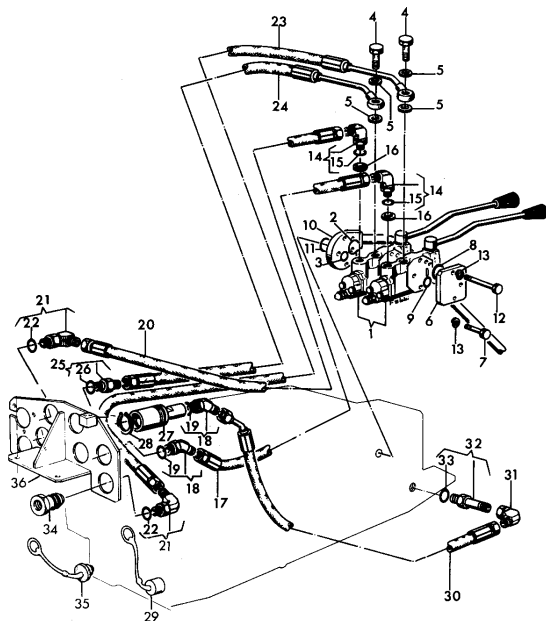
35	1424310M4	25	1	PINION
36	395567X1		2	BEARING
37	395566X1		1	CIRCLIP
38	1423539M3		1	BUSH
39	1443559X1		1	BEARING BALL
40	339517X1		1	CIRCLIP
41	1423535M1	27 D	1	GEAR
41	3305095M1	44 D	1	PINION
42	1423533M3	24	1	PINION
43	1423534M1	30 A	1	PINION
43	3305094M1	30 D	1	GEAR
44	1423536M2	22	1	GEAR
45	1440490X1		2	BEARING BALL
46	339126X1		1	CIRCLIP
47	1423537M1		1	SHAFT
48	395565X1		1	RING
49	3302110M1	3302110M2 (1)	1	SCREW
50	1442576X1		1	NUT BSF
51	1424422M91	A	1	KIT
51	3305096M91	8/39 D 22 D 22	1	KIT
51	3307377M91	3307377M92 (1) 8/43 A	1	KIT
52	1441925X1		1	BEARING
53	1442408X1	3304822M91 (1)	1	BEARING
54	1440640X1		1	BEARING

ACCESSORIES AND APPLICATION MISCELLANEOUS

Frutteti 530 F-L-V 7530F



PIPING AUXILIARY CONTROL VALVES



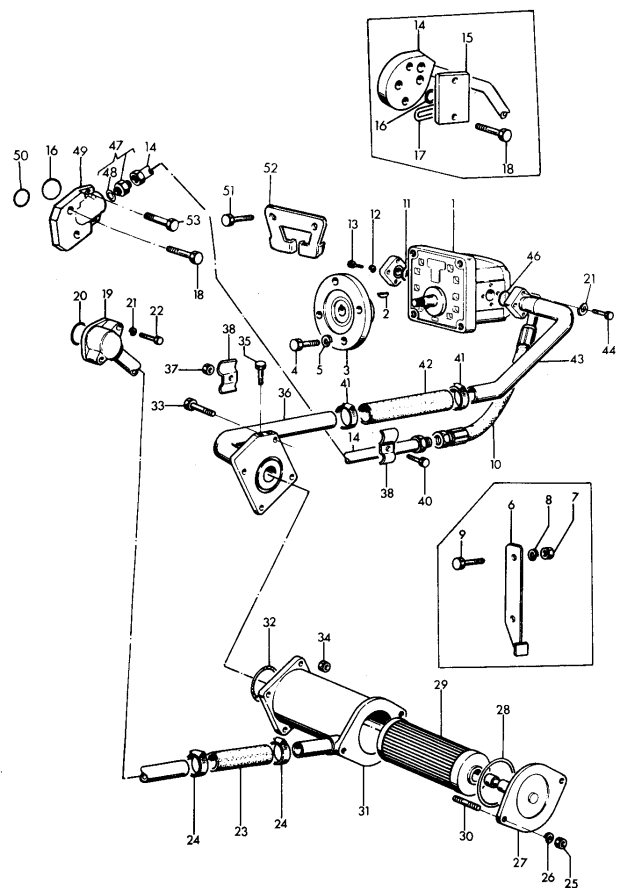
1		◇ 191	1	DISTRIBUTOR
2	1441123X1	● 3019918X1 (1)	1	RING
3	1441133X1	● 195562M1 (2)	2	SEAL
4	394202X1	● 3553651M1 (2)	2	UNION
5	1440702X1		2	SEAL
6	1426637M2		1	COVER
7	339008X1	● 339337X1 (1)	1	BOLT
8	394913X1	● N.L.A. (1)	1	GASKET
9	1441133X1	● 195562M1 (1)	1	SEAL
10		◇ 160	1	PIPE
11	1441119X1	● 364784X1 (2)	2	RING
12	394842X1	A	2	SCREW
12	395504X1	● 339136X1 (2)	2	SCREW
		A		
13	1440313X1	● 339374X1 (3)	3	WASHER
14	1426725M91	● 1426725M93 (2)	2	UNION
15	1441132X1	● 3019914X1 (2)	2	SEAL
		! 14		
16	1425358M1	● 1425358M2 (2)	2	WASHER
17	3303991M91		1	HYDR HOSE
18	1426727M91		2	UNION
19	831497M1	! 18	2	O RING
20	3303990M91		1	HYDR HOSE
21	1424962M91	● 1424962M92 (2)	2	UNION

ACCESSORIES AND APPLICATION MISCELLANEOUS

Frutteti 530 F-L-V 7530F



HYDRAULIC LIFT PIPINGS



- ! THIS IS A COMPONENT OF AN ASSEMBLY
- ➔ FROM SERIAL OR ENGINE NUMBER
- ➔ UP TO SERIAL OR ENGINE NUMBER
- 👁 SEE PAGE - REFERENCE NUMBER
- A WITHOUT AUXILIARY HYDRAULICS VALVE
- B UP TO SERIAL OR ENGINE NUMBER 131B00001, 2 WHEEL DRIVE , UP TO SERIAL OR ENGINE NUMBER 231B00064 25 KM/H, 4 WHEEL DRIVE , UP TO SERIAL OR ENGINE NUMBER 131C00050, 2 WHEEL DRIVE , UP TO SERIAL OR ENGINE NUMBER 131C00051,
- C FROM SERIAL OR ENGINE NUMBER 131B00002, 2 WHEEL DRIVE , FROM SERIAL OR ENGINE NUMBER 231B00065 25 KM/H, 4 WHEEL DRIVE , FROM SERIAL OR ENGINE NUMBER 131C00051, 2 WHEEL DRIVE , FROM SERIAL OR ENGINE NUMBER 131C00052,
- D UP TO SERIAL OR ENGINE NUMBER 131B00003, 2 WHEEL DRIVE , UP TO SERIAL OR ENGINE NUMBER 231B00052 25 KM/H, 4 WHEEL DRIVE , UP TO SERIAL OR ENGINE NUMBER 131C00019, 2 WHEEL DRIVE , UP TO SERIAL OR ENGINE NUMBER 131C00020,
- E FROM SERIAL OR ENGINE NUMBER 131B00004, 2 WHEEL DRIVE , FROM SERIAL OR ENGINE NUMBER 231B00053 25 KM/H, 4 WHEEL DRIVE , FROM SERIAL OR ENGINE NUMBER 131C00020, 2 WHEEL DRIVE , FROM SERIAL OR ENGINE NUMBER 131C00021,

CLICK HERE TO **DOWNLOAD** THE COMPLETE MANUAL

- Thank you very much for reading the preview of the manual.
- You can download the complete manual from: www.heydownloads.com by clicking the link below



- Please note: If there is no response to CLICKING the link, please download this PDF first and then click on it.

CLICK HERE TO **DOWNLOAD** THE COMPLETE MANUAL