

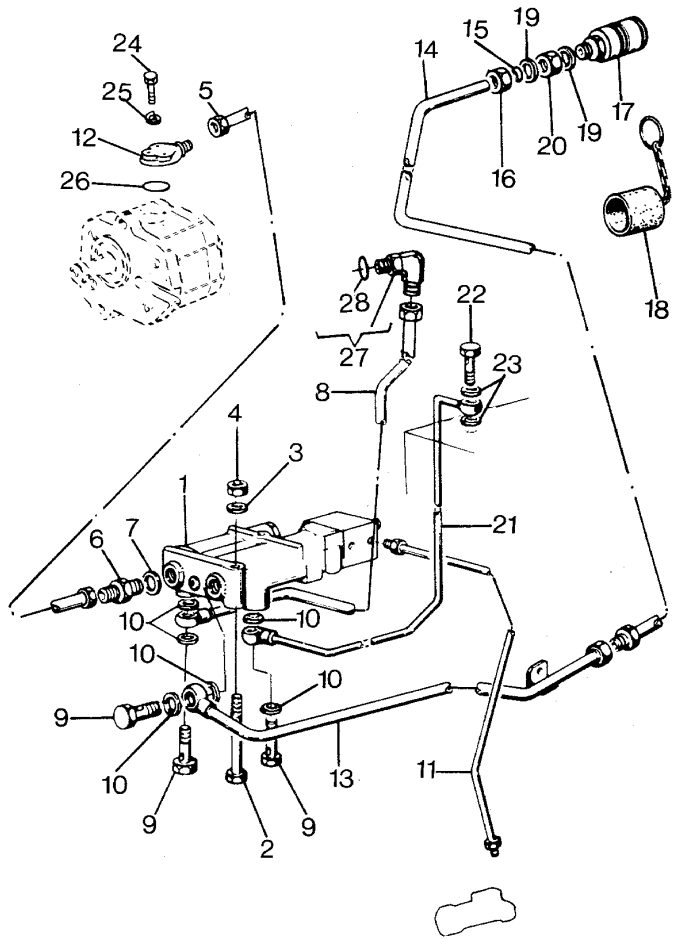
ACCESSORIES MECHANICAL

X-48
01

TRAILER BRAKES

Frutteti 560 L-V 6560L

X4801



- | | | | | |
|----|------------|--|---|-------------|
| 1 | 1676468M91 | | 1 | DISTRIBUTOR |
| 2 | 339368X1 | | 2 | SCREW |
| 3 | 390972X1 | | 2 | WASHER |
| 4 | 339169X1 | ● 394367X1 (2) | 2 | NUT |
| 5 | 3533761M91 | B | 1 | PIPE |
| 5 | 3533762M92 | ● 3656746M92 (1)
3533755M92 (1)
A | 1 | PIPE |
| 6 | 3300561M1 | | 1 | UNION |
| 7 | 1441022X1 | | 1 | WASHER |
| 8 | 3308093M91 | | 1 | PIPE |
| 9 | 394202X1 | ● 3553651M1 (3) | 3 | UNION |
| 10 | 1440702X1 | | 6 | WASHER |
| 11 | 3533723M91 | | 1 | PIPE |
| 12 | 3300496M1 | ● 3300496M2 (1)
A | 1 | FLANGE |
| 13 | 3533736M91 | | 1 | PIPE |
| 14 | 3308092M92 | | 1 | PIPE |
| 15 | 339994X1 | | 1 | RING |
| 16 | 1442333X1 | | 1 | NUT |
| 17 | 3532569M91 | ● 908605M1 (1)
3581307M3 (1)
3581307M1 | 1 | HITCH |
| 17 | 3581307M1 | ● 3581307M3 (1)
3532569M91 | 1 | UNION |
| 18 | 908605M1 | | 1 | PLUG |
| 19 | 1662876M1 | | 2 | WASHER |
| 20 | 1442336X1 | | 1 | NUT |
| 21 | 3533735M91 | ● 3308091M91 (1) | 1 | PIPE |
| 22 | 3308615M1 | | 1 | UNIVERSAL |
| 23 | 734414M1 | ● N.L.A. (2) | 2 | GASKET |

CLICK HERE TO **DOWNLOAD** THE COMPLETE MANUAL

- Thank you very much for reading the preview of the manual.
- You can download the complete manual from: www.heydownloads.com by clicking the link below



- Please note: If there is no response to CLICKING the link, please download this PDF first and then click on it.

CLICK HERE TO **DOWNLOAD** THE COMPLETE MANUAL

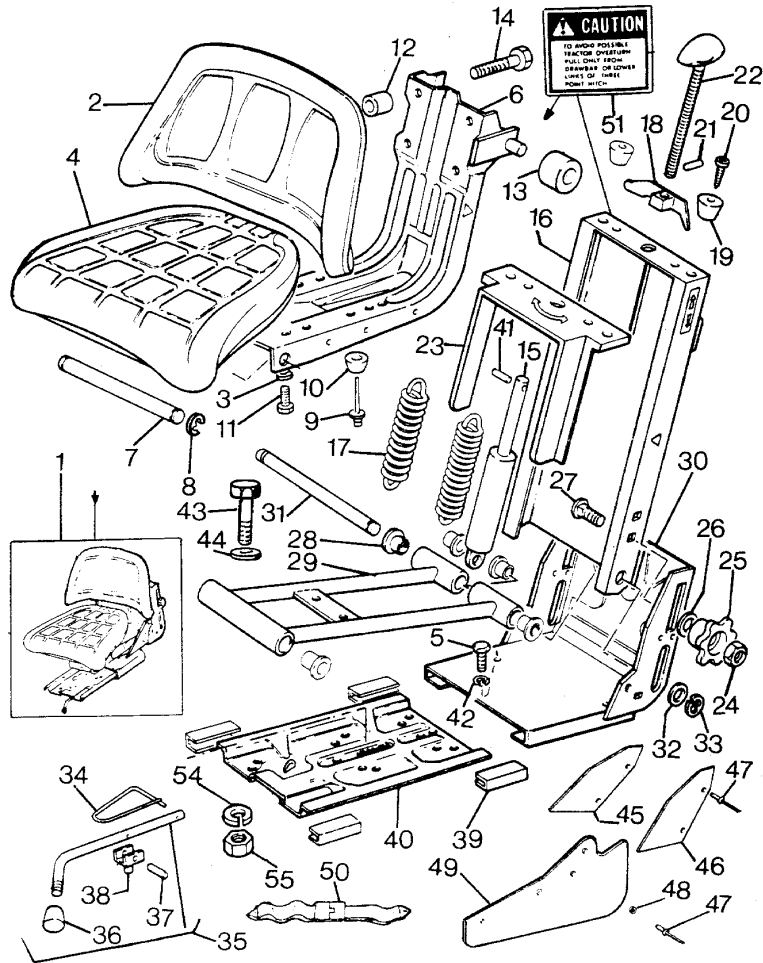
TRACTOR CAB

U-47
03

SEAT

Frutteti 560 L-V 6560L

U4703



1	3304715M92	●	N.L.S. (1)	1	SEAT
			B		
2	3102388M1	!	1	1	BACK REST
3	390972X1	!	1	2	WASHER
4	3102386M1	!	1	1	CUSHION
5	339124X1	!	1	1	SCREW
6	3102399M1	!	1	1	SUPPORT
7	3102133M1	!	1	1	PIN
8	391415X1	!	1	2	RING
9	3102396M1	!	1	2	RIVET
10	3102401M1	!	1	2	DAMPER
11	339228X1	!	1	4	SCREW
12	3101447M1	!	1	4	SPACER
13	3102150M1	!	1	2	ROLLER
14	339123X1	!	1	4	SCREW
15	3102391M1	!	1	1	DAMPER
16	3102794M1	!	1	1	HOUSING
			B		
17	3102393M1	!	1	2	TIE ROD
18	3104370M1	!	1	1	SPRING
19	3102394M1	!	1	2	DAMPER
20	3001254X1	●	3015126X1 (2)	2	SCREW
			!	1	
21	1440910X1	!	1	1	DOWEL
22	3102390M1	!	1	1	TIE ROD
23	3102137M1	!	1	1	COVER
24	390881X1	!	1	2	NUT
25	3102130M1	!	1	2	KNOB
26	390597X1	!	1	2	WASHER
27	1442868X1	●	385375X1 (2)	2	SCREW
			!	1	
28	1719857M1	!	1	6	BUSH
29	3102397M1	!	1	1	FRAME
30	3102389M1	!	1	1	REGULATOR

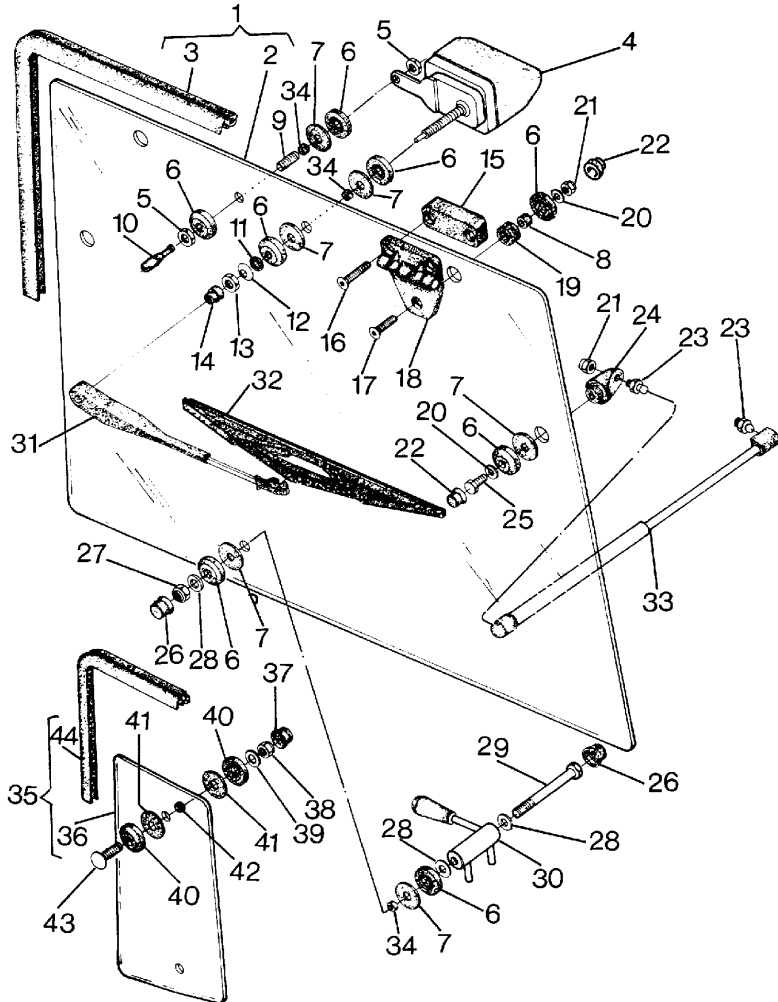
TRACTOR CAB

U-47
07

TRACTOR CAB

Frutteti 560 L-V 6560L

U4707



1	3311744M91	D	1	GLASS
2		!	1	GLASS
		▶	REF.N.1	
3	3311931M1	!	1	GASKET
			CM.320	
4	3311910M91	●	3540018M91 (1)	1 STARTERMOTO R
		▶	3547896M91 (1)	
4	3540018M91	▶		1 STARTERMOTO R
5	3540135M1			2 NUT
6	3311772M1			10 RING
7	3311773M1			7 LOCK WASHER
8	3540136M1			2 RING
9		C		1 PIPE
10	3540055M1	●	3552567M1 (1)	1 SPLASHER
11	3311940M1			1 RING
12	3311939M1			1 WASHER
13	3311941M1			1 NUT
14	3311938M1	●	3552562M1 (1)	1 CAP
15	3311904M1			2 SHIM
16		C		4 SCREW
17		C		2 SCREW
18	3311903M1			2 HINGE
19		C		2 RING
20	390972X1			4 WASHER
21		C		4 NUT
22	3311954M1			4 PLUG
23		C		4 TOGGLE
24	3540000M1			2 HITCH
25	339123X1			2 SCREW
26	3311774M1			2 GUARD
27	1440329X1			1 NUT

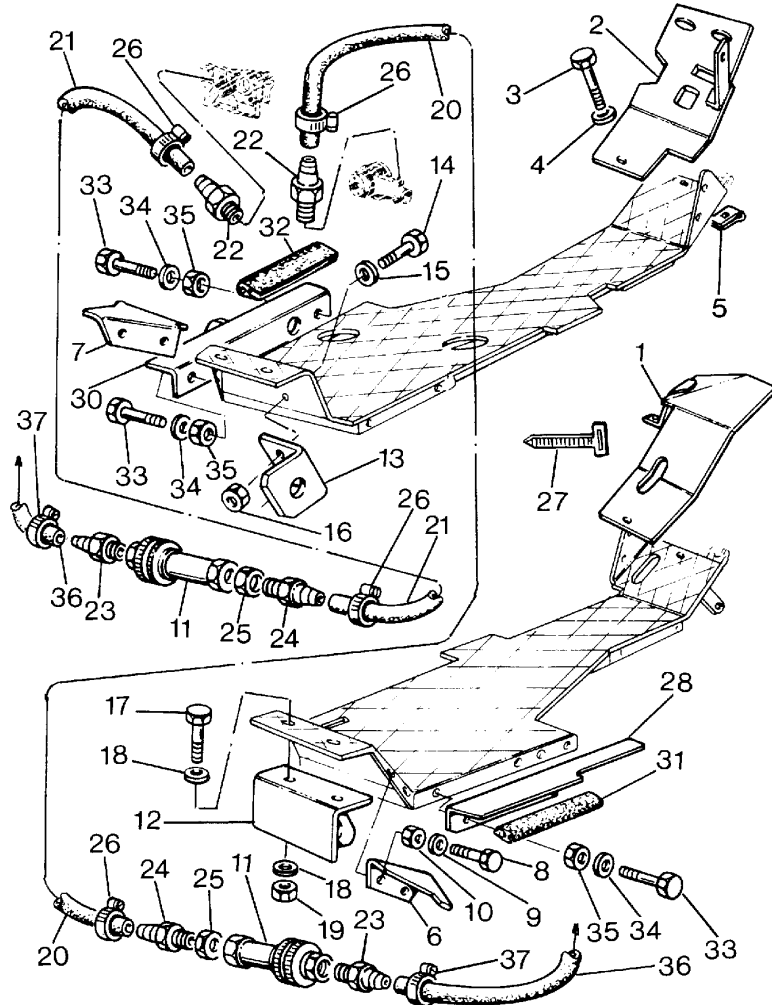
TRACTOR CAB

U-47
12

CAB

Frutteti 560 L-V 6560L

U4712



- | | | | |
|----|-----------------------------|---|-----------|
| 30 | 3539016M92 ▶ | 1 | EXTENSION |
| 31 | 3539043M1 ▲ | 1 | GASKET |
| 32 | 3539044M1 ▶ | 1 | GASKET |
| 33 | 339123X1 | 4 | SCREW |
| 34 | 390972X1 | 4 | WASHER |
| 35 | 394367X1 | 4 | NUT |
| 36 | ◇ U-47 05 32 | 2 | PIPE |
| 37 | ◇ U-47 05 33 | 2 | CLAMP |
| ◇ | SEE PAGE - REFERENCE NUMBER | | |
| A | WITH CONDITIONED AIR | | |
| C | STANDARD CAB | | |
| ▲ | LEFT HAND | | |
| ▶ | RIGHT HAND | | |

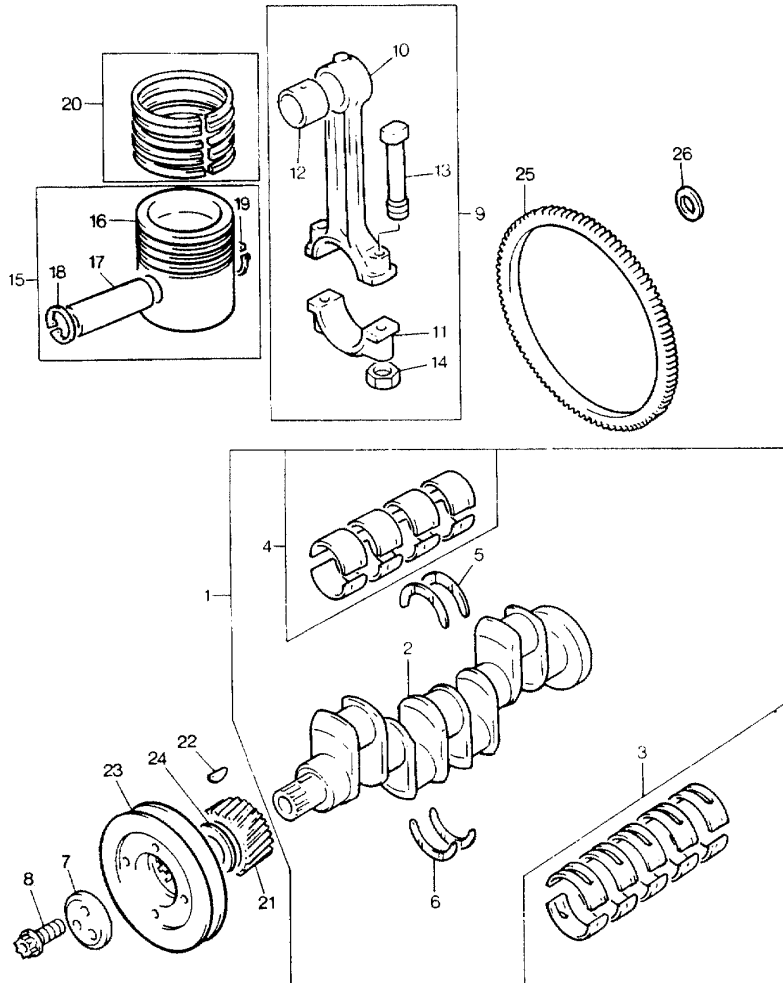
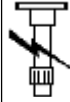
ENGINE

A-05
04

CRANKSHAFT, PISTONS AND CONNECTING RODS

Frutteti 560 L-V 6560L

A0504



10	!	9	1	CONROD
	➡	REF.9		
11	!	9	1	SUPPORT
	➡	REF.9		
12		9	1	THIMBLE
13	32762144	● 32762145 (1)	1	SCREW
	!	9		
14	33221328	!	1	NUT
15	U5LP0035	C	4	PISTON
15	U5LU0025	B	4	PISTON
16		!	15	PISTON
	➡	REF.15		
17	!	15	1	PIN
	➡	REF.15		
18	0170002	!	15	RING
19	0170002	!	15	RING
20	41158041		4	KIT
21	31171681	▲ 28	1	GEAR
22	0500012		1	KEY
23	31148798	● 31148797	1	PULLEY
24	33125416	E	1	WASHER
25	0410236	● 3552228M1 (1)	1	CROWNWHEEL
		▲ 115		
26	33117127	● 33117121	6	WASHER

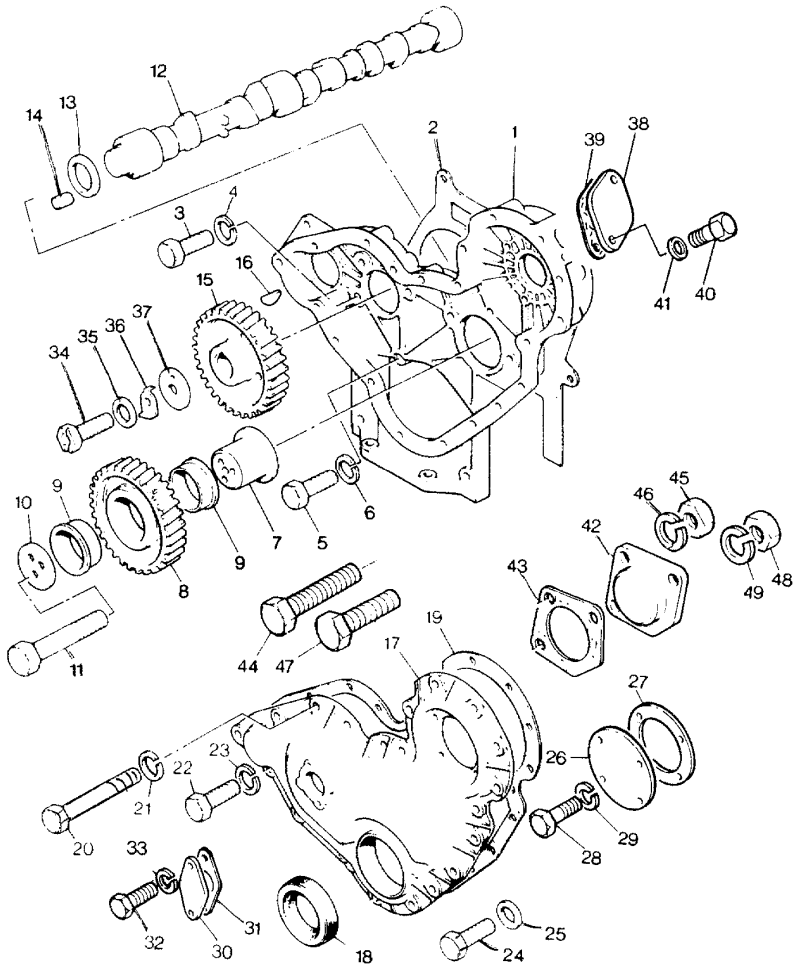
ENGINE

A-05
07

TIMING GEAR AND CAMSHAFT

Frutteti 560 L-V 6560L

A0507



- | | | | | |
|----|----------|--------------------------------|---|-------------|
| 24 | 2183205 | | 4 | SCREW |
| 25 | 0920053 | | 4 | WASHER |
| 26 | 3241H004 | | 1 | PLATE |
| 27 | 33825419 | ● 33825427 (1) | 1 | GASKET |
| 28 | 2183203 | | 4 | SCREW |
| 29 | 0920053 | | 4 | WASHER |
| 30 | 36171121 | | 1 | BASE PLATE |
| 31 | 36833119 | ● 36833163 (1) | 1 | GASKET |
| 32 | 2183104 | | 2 | SCREW |
| 33 | 0920052 | | 2 | WASHER |
| 34 | 32161217 | | 1 | SCREW |
| 35 | 33115408 | | 1 | SHIM |
| 36 | 31733121 | | 1 | WASHER |
| 37 | 33153128 | | 1 | WASHER |
| 38 | 36235118 | ● 36862245 (1)
3623K025 (1) | 1 | BASE PLATE |
| 39 | 36862138 | ● 36862245 (1) | 1 | GASKET |
| 40 | 2183204 | | 2 | SCREW |
| 41 | 0920053 | | 2 | WASHER |
| 42 | 37556148 | | 1 | BASE PLATE |
| 43 | 36861429 | ● 36861466 (1) | 1 | GASKET |
| 44 | 0748505 | | 1 | SCREW |
| 45 | 2238153 | | 1 | NUT |
| 46 | 0920054 | | 1 | LOCK WASHER |
| 47 | 2232151 | | 2 | SCREW |
| 48 | 2238153 | | 2 | NUT |
| 49 | 0920054 | | 2 | LOCK WASHER |

!

THIS IS A COMPONENT OF AN ASSEMBLY
NUMBER OF TEETH/SPLINES



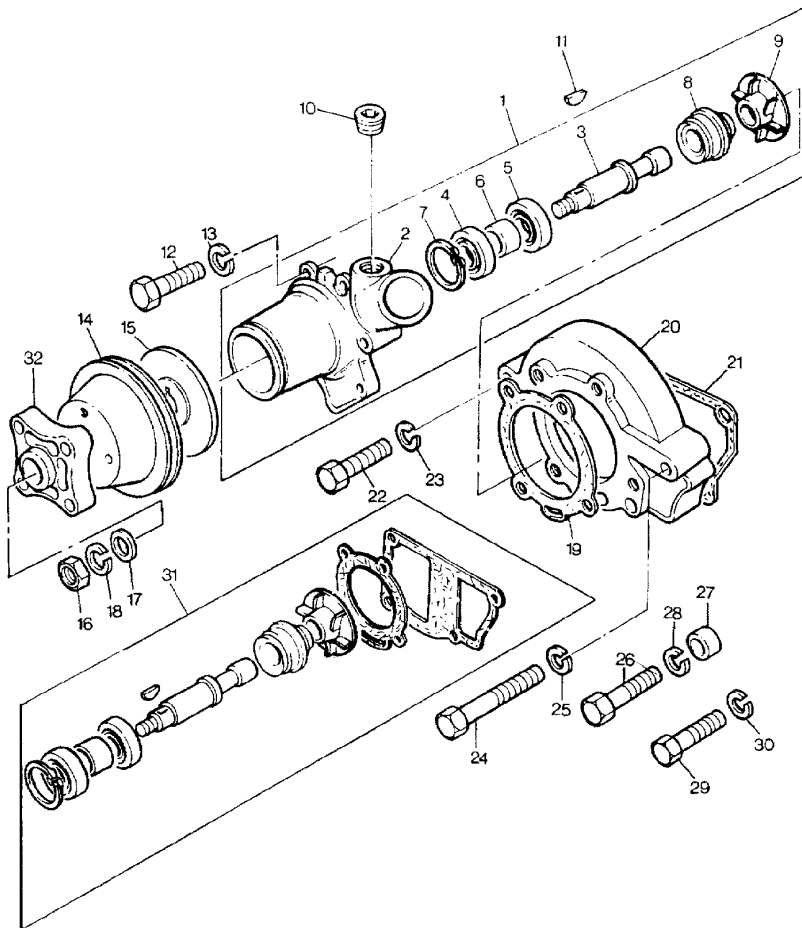
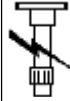
ENGINE

A-05
12

WATER PUMP, THERMOSTAT AND HEAT EXCHANGER

Frutteti 560 L-V 6560L

A0512



20	37711665	●	37711662	1	BODY
			H		
21	3687Y003	●	3687Y014 (1)	1	GASKET
		●	36867198		
			A		
22	0096401			1	SCREW
23	0920054			1	LOCK WASHER
24	0096443			1	SCREW
25	0920054			1	LOCK WASHER
26	0096434	●	0746459 (1)	1	SCREW
		→	01/04/89		
26	0096440	→	31/03/89	1	SCREW
27	0920465	→	31/03/89	1	SPACER
28	0920054			1	LOCK WASHER
29	0096439		B	1	SCREW
30	0920054		B	1	LOCK WASHER
31	U7LW0054	●	U7LW0100 (999)	999	KIT
			D		
			E		
31	U7LW0058	●	U5MW0105 (999)	999	KIT
			B		
			F		
31	U7LW0078	●	U5MW0105 (999)	999	KIT
		●	U7LW0053/58		
			C		
31	U7LW0085	●	U7LW0100 (999)	999	KIT
			G		
32	3748W212	●	3559997M1 (1)	1	SUPPORT
		●	37413591		

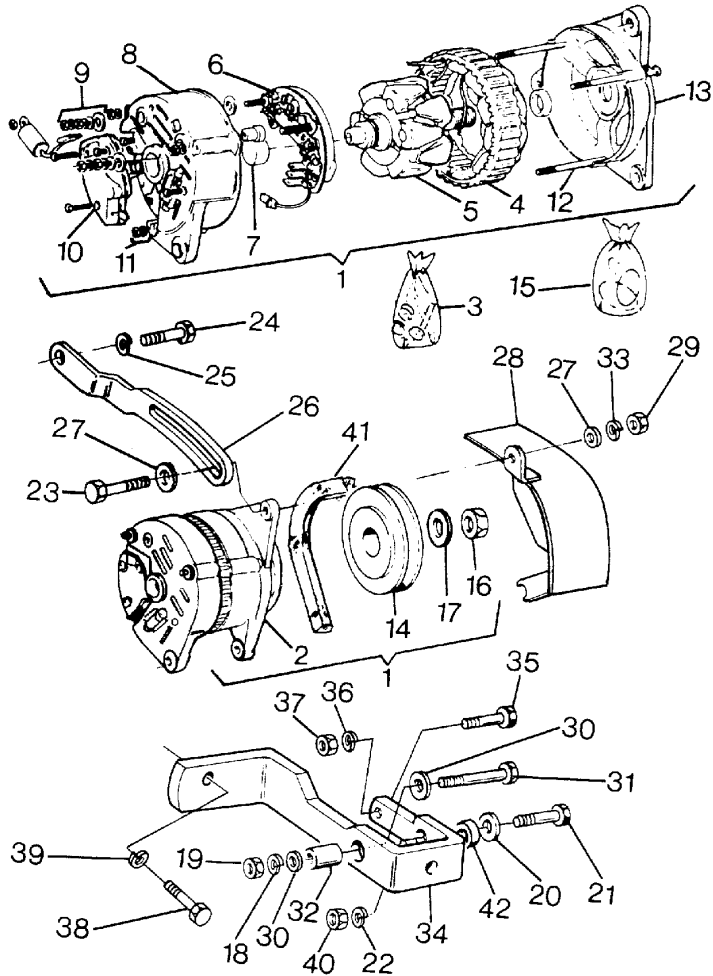
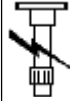
ENGINE ANCILLARY EQUIPMENT

C-32
03

ALTERNATOR

Frutteti 560 L-V 6560L

C3203



- | | | | | |
|----|--|---|---|-------------|
| 27 | 339056X1 | | 1 | WASHER |
| 28 | 3531989M91 | ● | 1 | GUARD |
| 29 | 339169X1 | ● | 1 | NUT |
| 30 | 390972X1 | | 2 | WASHER |
| 31 | 339368X1 | | 1 | SCREW |
| 32 | 3533916M1 | | 1 | SPACER |
| 33 | 339374X1 | | 1 | LOCK WASHER |
| 34 | 3533915M2 | | 1 | SUPPORT |
| 35 | 339009X1 | | 1 | SCREW |
| 36 | 339374X1 | | 1 | LOCK WASHER |
| 37 | 339169X1 | ● | 1 | NUT |
| 38 | 353537X1 | | 1 | SCREW |
| 39 | 1440314X1 | | 1 | LOCK WASHER |
| 40 | 339169X1 | ● | 1 | NUT |
| 41 | E | | 1 | BELT |
| 42 | 390048X1 | | 1 | WASHER |
| ! | THIS IS A COMPONENT OF AN ASSEMBLY | | | |
| ▶ | NOT SERVICED, ORDER | | | |
| E | SUPPLIED BY PERKINS (SEE ENGINE SECTION) | | | |

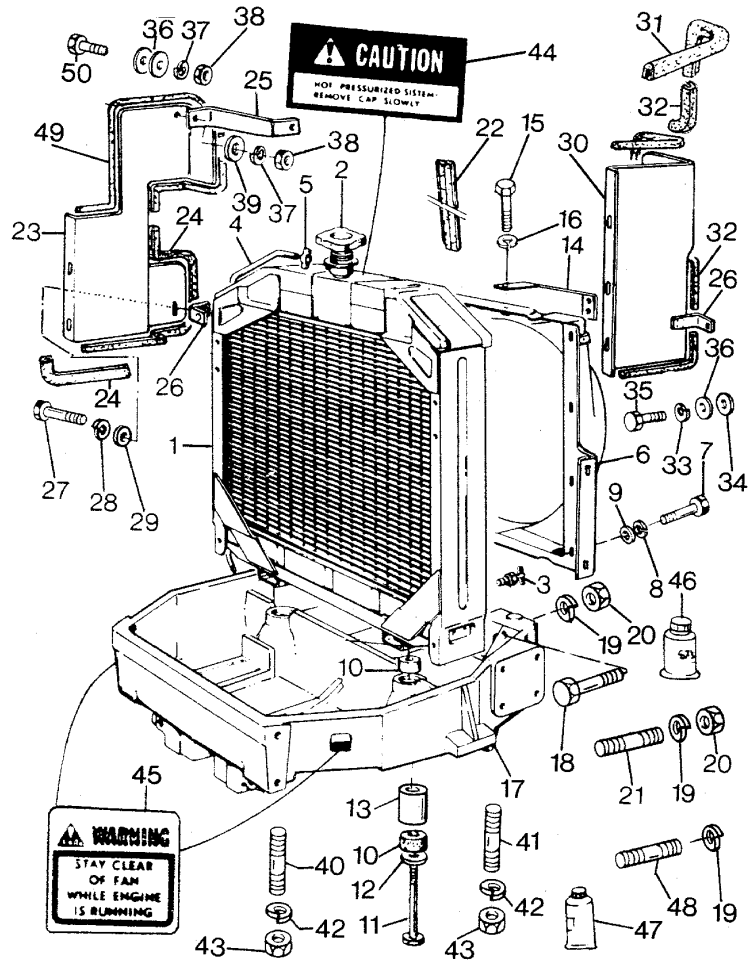
ENGINE ANCILLARY EQUIPMENT

C-32
16

COOLING SYSTEM

Frutteti 560 L-V 6560L

C3216



- | | | | | | |
|----|------------|---|----------------|---|-------------|
| 1 | 3307940M98 | ● | 3660549M92 (1) | 1 | RADIATOR |
| | | ⊕ | 3546936M91 | | |
| | | | B | | |
| | | | D | | |
| 1 | 3308477M99 | ● | 3551414M94 (1) | 1 | RADIATOR |
| | | ⊕ | | | |
| | | | B | | |
| | | | B | | |
| 1 | 3546936M92 | ● | 3660549M92 (1) | 1 | RADIATOR |
| | | ⊕ | 3307940M98 | | |
| | | | B | | |
| 2 | 1824628M91 | ! | 1 | 1 | PLUG |
| 3 | 31419 | ! | 1 | 1 | COCK |
| | | | D | | |
| 3 | 3546942M91 | ! | 1 | 1 | COCK |
| | | | B | | |
| 4 | 1824716M1 | ! | 1 | 1 | PIPE |
| 5 | 1824717M1 | ! | 1 | 2 | RETAINER |
| 6 | 3531964M93 | ● | N.L.A. (1) | 1 | CONVEYOR |
| | | ⊕ | | | |
| 7 | 391894X1 | | | 8 | SCREW |
| 8 | 339375X1 | | | 8 | LOCK WASHER |
| 9 | 390971X1 | | | 8 | WASHER |
| 10 | 1825040M2 | | | 4 | DAMPER |
| 11 | 1441919X1 | | | 2 | SCREW |
| 12 | 392875X1 | | | 4 | WASHER |
| 13 | 3532530M1 | | | 2 | SPACER |
| 14 | 1824639M3 | | | 1 | ROD |
| 15 | 339124X1 | | | 1 | SCREW |
| 16 | 339374X1 | | | 1 | LOCK WASHER |
| 17 | 3531575M3 | ● | | 1 | SUPPORT |
| | | ⊕ | | | |
| | | | B | | |
| 18 | 339498X1 | | | 2 | SCREW |

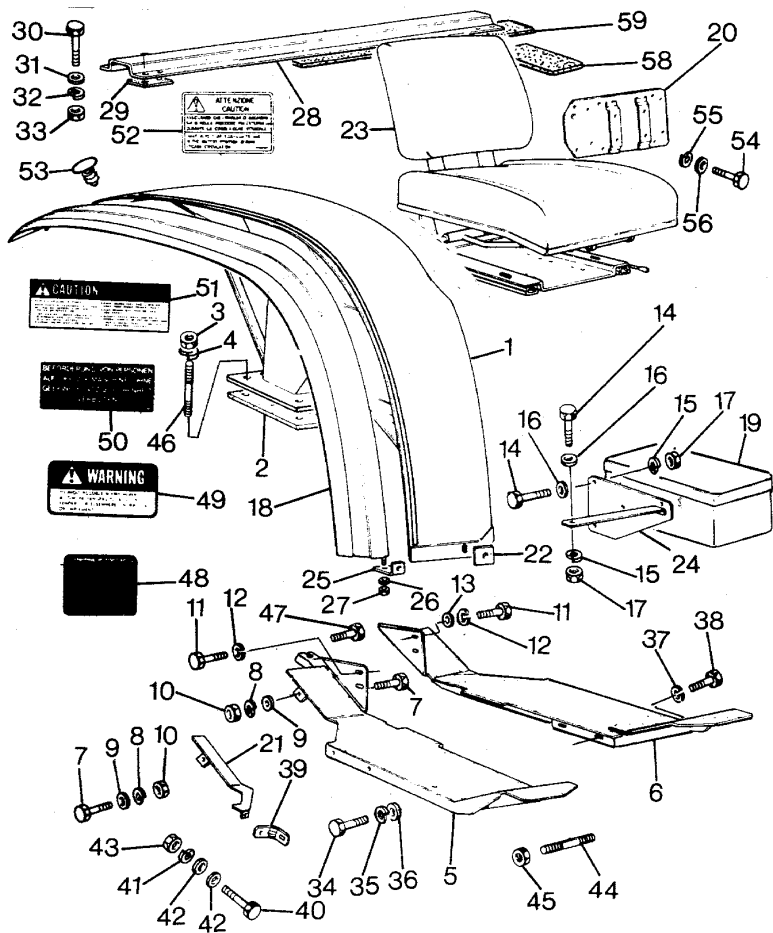
FENDERS FOOTSTEPS AND PLATFORM

S-22
03

FENDERS AND PLATFORM

Frutteti 560 L-V 6560L

S2203



1	3532338M92	◀		1	FENDER
			B		
			I		
1	3535810M91	●	3540953M91 (1)	1	FENDER
		▼			
			B		
			C		
1	3535855M91	●	N.L.A. (1)	1	FENDER
		▼			
			B		
			I		
1	3535881M91	●	3540952M91 (1)	1	FENDER
		▲			
			B		
			C		
1	3538139M91	●	N.L.A. (1)	1	FENDER
		▲			
			C		
1	3538143M91	▲		1	FENDER
			I		
1	3538151M91	●	N.L.A. (1)	1	FENDER
		▼			
			C		
1	3538155M91	▶		1	FENDER
			I		
2	3308925M1	●	N.L.A. (4)	4	SHIM
3	1440330X1			8	NUT
4	390735X1			8	WASHER
5	3531946M95	●	3531946M96 (1)	1	FLOOR
		▼			
6	3531662M94	●	3652297M92 (1)	1	FLOOR
		▲			
7	339123X1			4	SCREW

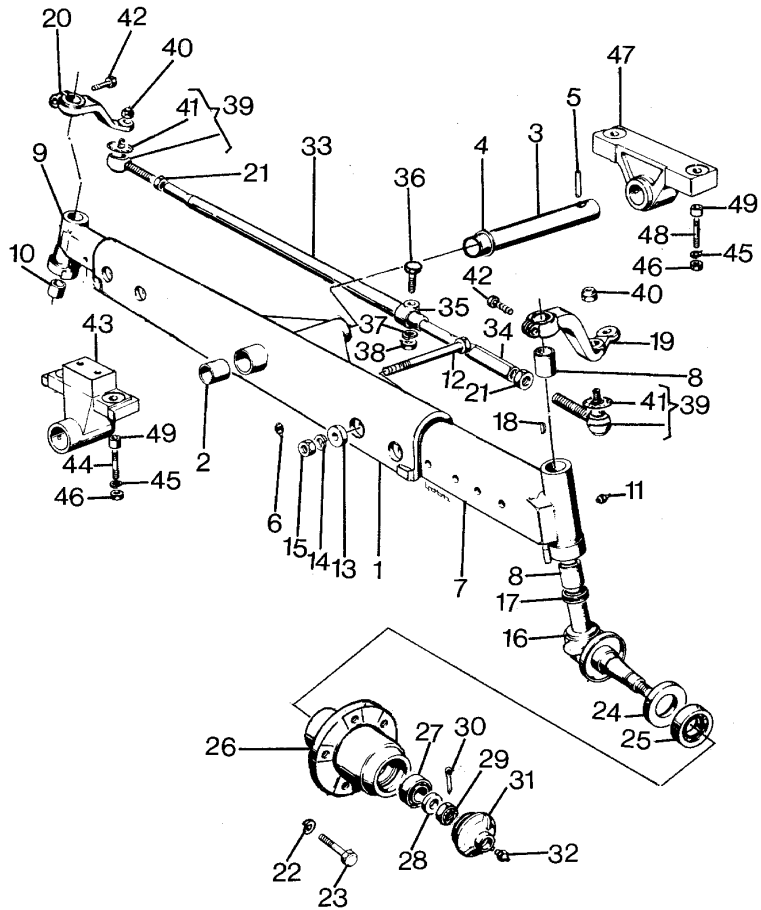
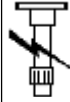
FRONT AXLE AND STEERING

J-09
02

FRONT AXLE 2 WHEEL DRIVE

Frutteti 560 L-V 6560L

J0902



32	339608X1		2	GREASER
33	3308135M1		1	ROD
34	978149M2	● 978149M3 (1)	1	ROD
35	974353M1		1	RETAINER
36	339403X1		1	SCREW
37	1440315X1		1	LOCK WASHER
38	1440200X1		1	NUT
39	1821234M91		2	UNIVERSAL
40	393565X1		2	NUT
41	3310623M1	! 39	2	GROMMET
42	3015050X1		2	SCREW
43	1427371M1	D	1	SUPPORT
44	394251X1	D	2	SCREW
45	1440317X1		4	LOCK WASHER
46	392335X1		4	NUT
47	1427372M1	Y	1	SUPPORT
48	394252X1	Y	2	SCREW
49	1823569M1		4	BUSH
!	THIS IS A COMPONENT OF AN ASSEMBLY			
D	FRONT			
◀	LEFT HAND			
▶	RIGHT HAND			
Y	REAR			

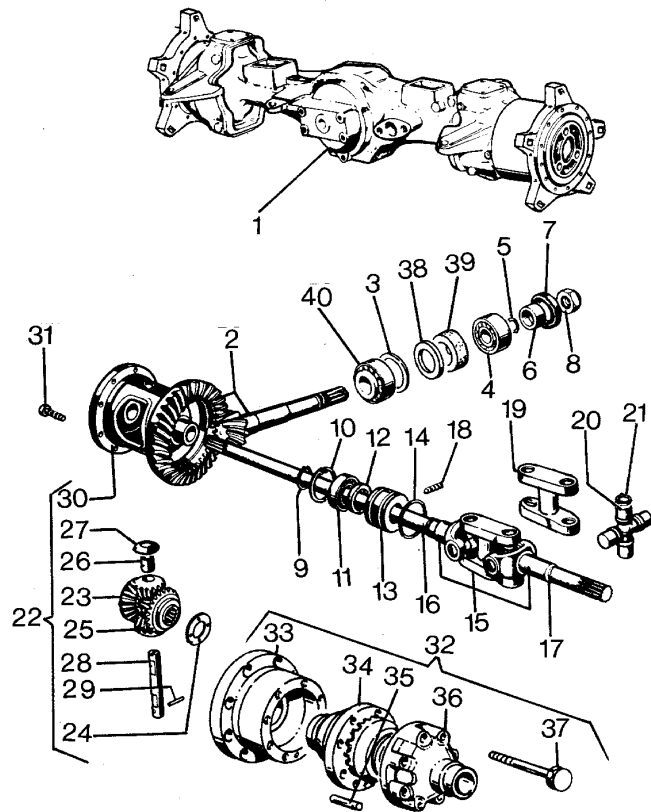
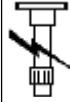
FRONT AXLE AND STEERING

J-09
07

FRONT AXLE 4 WHEEL DRIVE

Frutteti 560 L-V 6560L

J0907



1		J-09 06 1 C	1 AXLE
2		3427563M91 10/34	1 KIT
3		1823578M1 0,15MM.	999 SHIM
3		1823579M1 0,3MM.	999 SHIM
3		1823580M1 1823579M1 (1998) 0,5MM.	999 SHIM
3		1823581M1 0,7MM.	999 SHIM
4		1820418M1	1 BEARING
5		364777X1	1 RING
6		1423664M1	1 SPACER
6		3426967M2 S29134 C	1 SPACER
7		3015019X1 S29134 C	1 RING
7		392101X1	1 RING
8		392838X1	1 NUT
9		339469X1	2 RING
10		1440479X1	2 RING
11		390984X1	2 BEARING
12		3019957X1 S29134 C	2 SEAL
12		392107X1	2 RING
13		1823555M1	2 BOX
14		3019924X1	2 O RING
15		3426672M91	2 HALFSHAFT
15		3428534M91 3426672M91 (2) S29134 C	2 HALFSHAFT
16	!	15 C C	2 SHAFT
16		3310624M1 N.L.S. (2) !	2 SHAFT

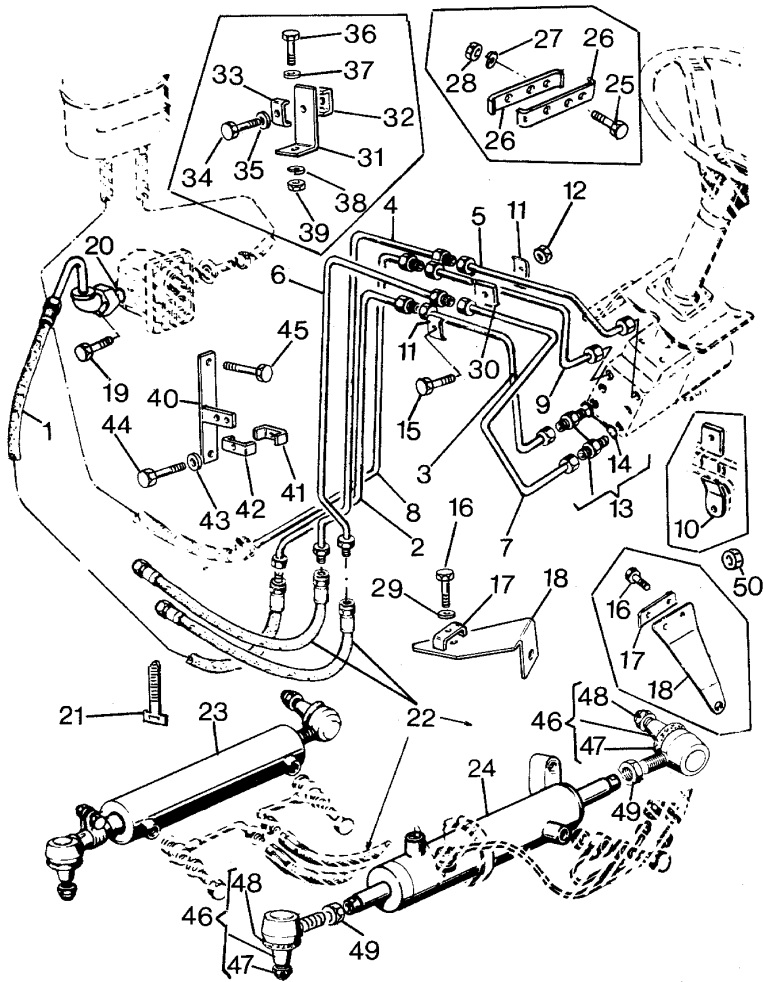
FRONT AXLE AND STEERING

J-09
11

STEERING HYDRAULIC LINES

Frutteti 560 L-V 6560L

J0911



1	3533730M91		1	PIPE
2	3533729M91	F	1	PIPE
2	3538299M91	G	1	PIPE
3	3531265M91		1	PIPE
4	3533727M91	◀	1	PIPE
		F		
4	3538301M91	◀	1	PIPE
		G		
5	3531267M91	◀	1	PIPE
6	3533726M91	▶	1	PIPE
		F		
6	3538300M91	▶	1	PIPE
		G		
7	3531266M91	▶	1	PIPE
8	3533728M91	F	1	PIPE
8	3538302M91	G	1	PIPE
9	3531268M91		1	PIPE
10	3531453M1		1	SUPPORT
11	1424404M1		2	SUPPORT
12	1440085X1		1	NUT
13	3531243M93		4	UNION
14	831497M1	! 13	4	RING
15	391884X1		1	BOLT
16	339351X1	F	2	SCREW
16	339351X1	G	1	SCREW
17	1424404M1	G	1	STIRRUP
17	3303864M1	F	1	SUPPORT
18	3534326M1	F	1	STIRRUP
18	3538722M91	G	1	SUPPORT
19	1442692X1		3	SCREW
20	851258M1		1	O RING
21	3307667M91		1	CLAMP
22	3303902M91	⊙	2	PIPE



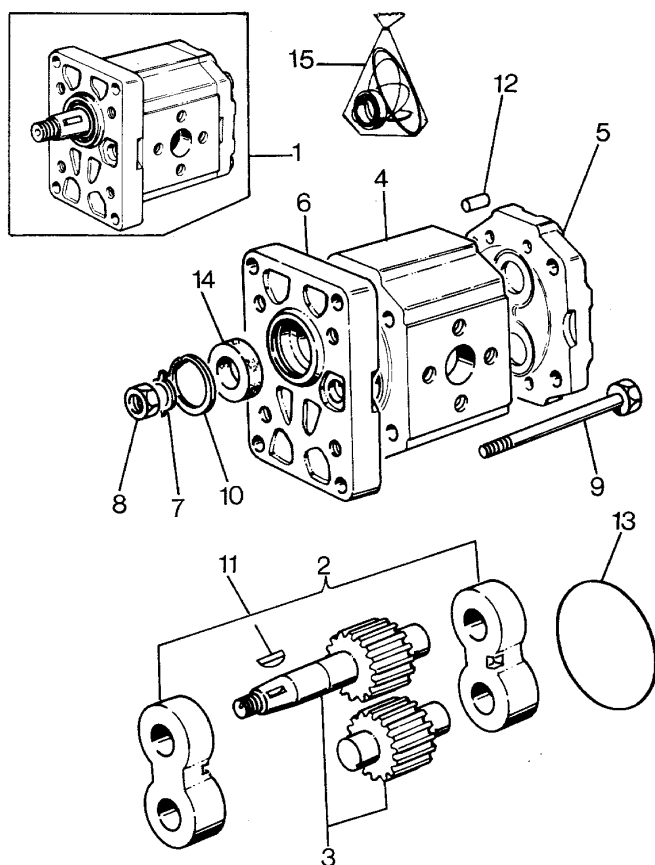
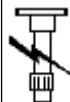
FRONT AXLE AND STEERING

J-09
17

STEERING

Frutteti 560 L-V 6560L

J0917



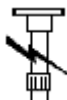
1	3539856M91	A	1	PUMP
2	3311768M1	● N.L.A. (2)	2	BUSH
		!	1	
3	3311766M91	!	1	KIT
4		!	1	BODY
		▣ REF.N.1		
5		!	1	COVER
		▣ REF.N.1		
6		!	1	COVER
		▣ REF.N.1		
7	3302053M1	!	1	WASHER
8	1442576X1	!	1	NUT
9	339488X1	!	4	SCREW
10	1441597X1	● 339361X1 (1)	1	RING
		!	1	
11	1440360X1	!	1	TONGUE
12	3006307X1	!	4	DOWEL
13	394869X1	!	2	RING
		B		
14	1421318M1	!	1	RING
		B		
15	3311522M91		1	KIT
	!	THIS IS A COMPONENT OF AN ASSEMBLY		
	▣	NOT SERVICED, ORDER		
	A	TUROLLA TYPE		
	B	INCLUDED ON REPAIR KIT 3311522M91		

HYDRAULICS AND LINKAGE

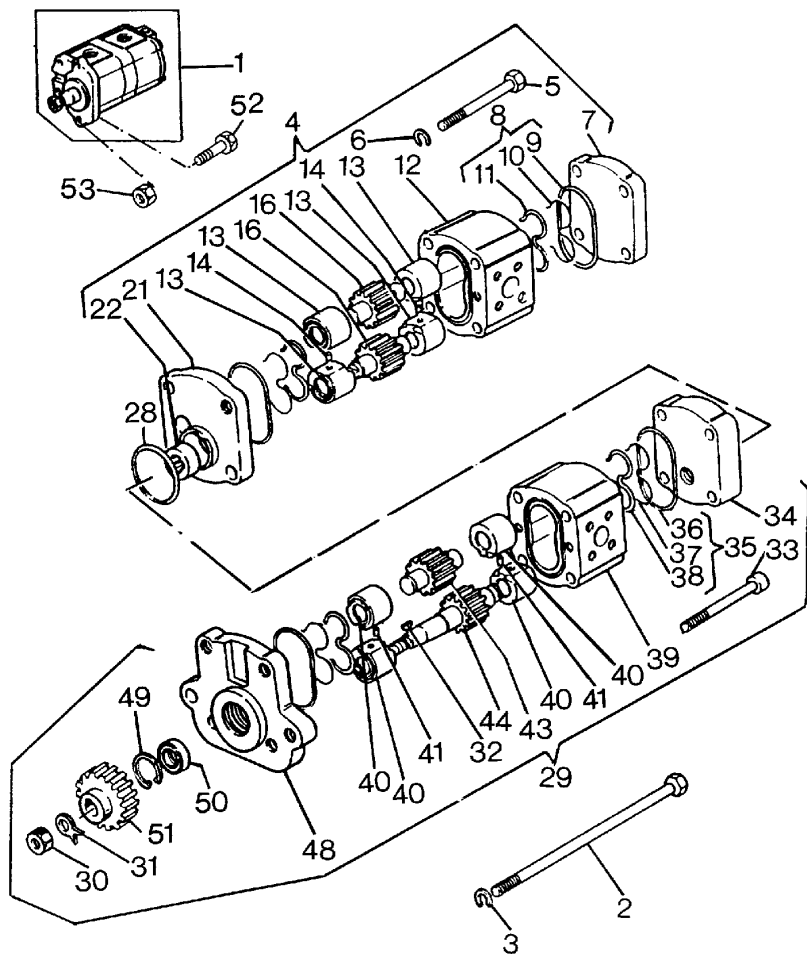
P-42
06

HYDRAULIC PUMP

Frutteti 560 L-V 6560L



P4206



1	3595190M91	☛	3597166M91	1	PUMP
2	3105001M1	!	1	2	BOLT
3	1440314X1	!	1	2	LOCK WASHER
4	3104997M91	●	3595190M91 (1)	1	PUMP
		!	1		
5	3000036X1	!	4	2	BOLT
6	1440314X1	!	4	2	LOCK WASHER
7		!	4	1	COVER
		☛	REF.N.4		
8	3100439M91	!	4	1	KIT
9		!	8	2	RING
		☛	REF.N.8		
10		!	8	2	RING
		☛	REF.N.8		
11		!	8	2	RING
		☛	REF.N.8		
12		!	4	1	BODY
		☛	REF.N.4		
13		!	4	4	BUSH
		☛	REF.N.4		
14		!	4	2	DOWEL
		☛	REF.N.4		
16		!	4	2	GEAR
		☛	REF.N.4		
21		!	4	1	COVER
		☛	REF.N.4		
22	3104999M1	!	4	1	FERRULE
28	3104973M1	!	1	1	O RING
29	3104995M91	●	3595190M91 (1)	1	PUMP
		!	1		
30	1440953X1	!	29	1	NUT
31	339369X1	!	29	1	LOCK WASHER
32	1440358X1	!	29	1	TONGUE
33	3105000M1	!	29	2	SCREW

CLICK HERE TO **DOWNLOAD** THE COMPLETE MANUAL

- Thank you very much for reading the preview of the manual.
- You can download the complete manual from: www.heydownloads.com by clicking the link below



- Please note: If there is no response to CLICKING the link, please download this PDF first and then click on it.

CLICK HERE TO **DOWNLOAD** THE COMPLETE MANUAL

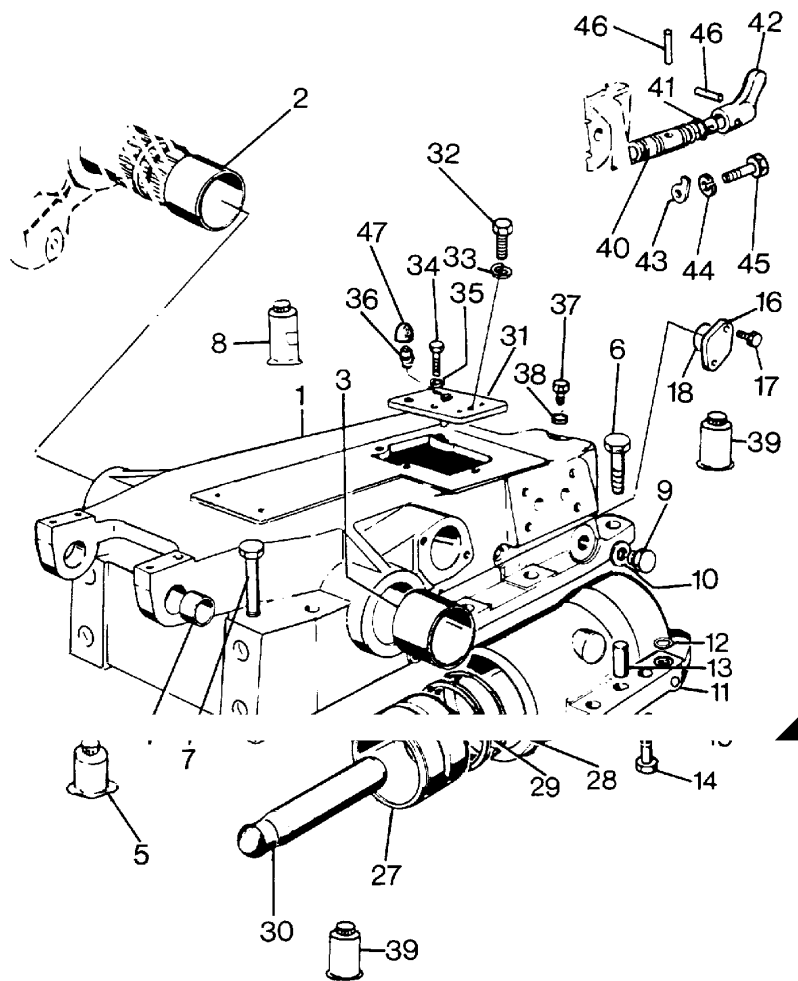
HYDRAULICS AND LINKAGE

P-42
10

HYDRAULIC LIFT

Frutteti 560 L-V 6560L

P4210



- | | | | |
|----|------------|-----|-------------|
| 37 | 1441495X1 | 1 | PLUG |
| 38 | 390839X1 | 1 | GASKET |
| 39 | 3308788M1 | 999 | LOCTITE |
| 40 | 1825280M91 | 1 | VALVE |
| 41 | 851134M1 | 3 | RING |
| 42 | 1825283M2 | 1 | LEVER |
| 43 | 1423886M1 | 1 | RETAINER |
| 44 | 339374X1 | 1 | LOCK WASHER |
| 45 | 1441000X1 | 1 | SCREW |
| 46 | 1441736X1 | 2 | DOWEL |
| 47 | 3426772M1 | 1 | GUARD |

- ! THIS IS A COMPONENT OF AN ASSEMBLY
- ➔ FROM SERIAL OR ENGINE NUMBER
- ➡ UP TO SERIAL OR ENGINE NUMBER
- B WITHOUT HYDRAULIQUE TRAILER BEAKING SYSTEM
- ◀ LEFT HAND
- ▶ RIGHT HAND

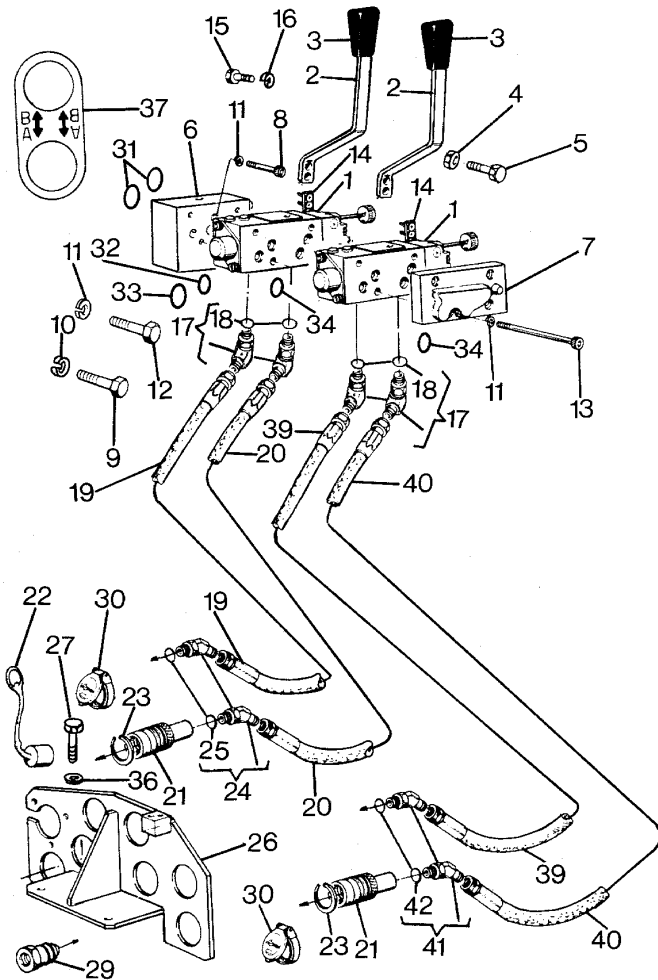
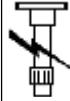
HYDRAULICS AND LINKAGE

P-42
15

PIPING AUXILIARY VALVE

Frutteti 560 L-V 6560L

P4215



1	◇ P-42 20 1	2 DISTRIBUTOR
	◇ P-42 21 1	
2	3531724M91	2 LEVER
3	! 2	2 BALL
	▣ REF.N.2	
4	392308X1	4 NUT
5	3001271X1	4 SCREW
6	3531613M92	1 PLATE
7	3531611M2	1 COVER
	● 1444744X1 (1)	
	● 3000145X1 (1)	
	● 3550948M1 (1)	
8	339168X1	2 SCREW
9	1443714X1	1 SCREW
10	391376X1	1 WASHER
11	391037X1	6 LOCK WASHER
12	1442709X1	1 SCREW
	◄ 150MM.	
	B	
12	3015000X1	999 SCREW
	◄ 200MM.	
	B	
13	1441948X1	999 SCREW
	◄ 160MM.	
	B	
13	3015017X1	4 SCREW
	◄ 135MM.	
	D	
13	3015018X1	999 SCREW
	◄ 180MM.	
	D	
13	3019909X1	3 SCREW
	◄ 115MM.	
	B	
14	3531730M91	2 PLATE
15	3005776X1	2 SCREW
16	3006170X1	2 LOCK WASHER
17	3308703M94	4 UNION
	● 3308703M95 (4)	
18	1425358M1	4 WASHER
	● 1425358M2 (4)	

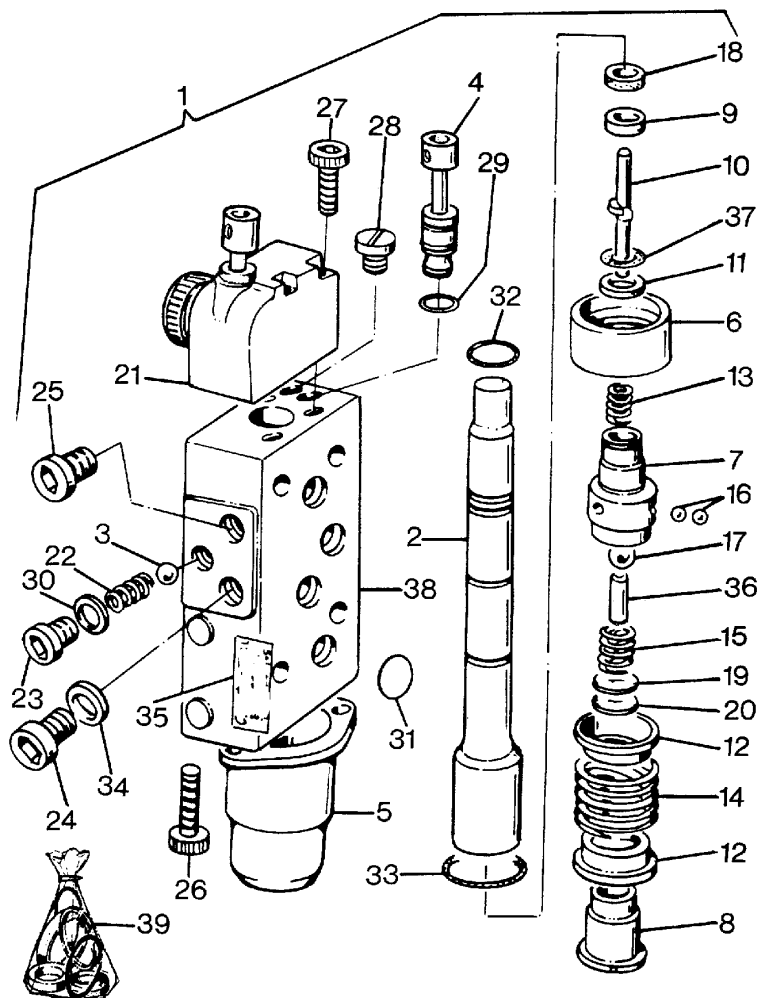
HYDRAULICS AND LINKAGE

P-42
21

AUXILIARY DISTRIBUTOR

Frutteti 560 L-V 6560L

P4221



- | | | | | | | |
|----|------------|---|---------|---|---|-------------|
| 1 | 3531702M91 | ◇ | P-42 14 | 1 | 1 | DISTRIBUTOR |
| | | ◇ | P-42 15 | 1 | | |
| | | ◇ | P-42 16 | 1 | | |
| 3 | 3105116M1 | | | 1 | | BALL |
| 4 | 3105104M1 | | | 1 | | PIN |
| 5 | 3105105M1 | | | 1 | | CAP |
| 6 | 3105106M1 | | | 1 | | SLEEVE |
| 7 | 3105107M1 | | | 1 | | PLUNGER |
| 8 | 3105108M1 | | | 1 | | SCREW |
| 9 | 3105109M1 | | | 1 | | SPACER |
| 10 | 3105110M1 | | | 1 | | PLUNGER |
| 11 | 390703X1 | | | 3 | | WASHER |
| 12 | 3105111M1 | | | 2 | | GUIDE |
| 13 | 3105112M1 | | | 1 | | SPRING |
| 14 | 3105113M1 | | | 1 | | SPRING |
| 15 | 3105114M1 | | | 1 | | SPRING |
| 16 | 1442737X1 | | | 6 | | BALL |
| 17 | 3105115M1 | | | 1 | | BALL |
| 18 | 3105117M1 | | | 1 | | RING |
| 19 | 3105118M1 | | | 2 | | WASHER |
| 20 | 3105119M1 | | | 1 | | WASHER |
| 21 | 3105120M1 | | | 1 | | COVER |
| 22 | 3105121M1 | | | 1 | | SPRING |
| 23 | 1444264X1 | | | 1 | | SCREW |
| 24 | 391149X1 | | | 1 | | PLUG |
| 25 | 3105122M1 | | | 1 | | SCREW |
| 26 | 3004700X1 | | | 2 | | SCREW |
| 27 | 1441967X1 | | | 3 | | SCREW |
| 28 | 3105123M1 | | | 1 | | SCREW |
| 29 | 3105124M1 | | | 1 | | RING |
| 30 | 3403942M1 | | | 1 | | RING |
| 31 | 359247X1 | | | 1 | | RING |
| 32 | 3105125M1 | | | 1 | | RING |
| 33 | 3105126M1 | | | 1 | | RING |

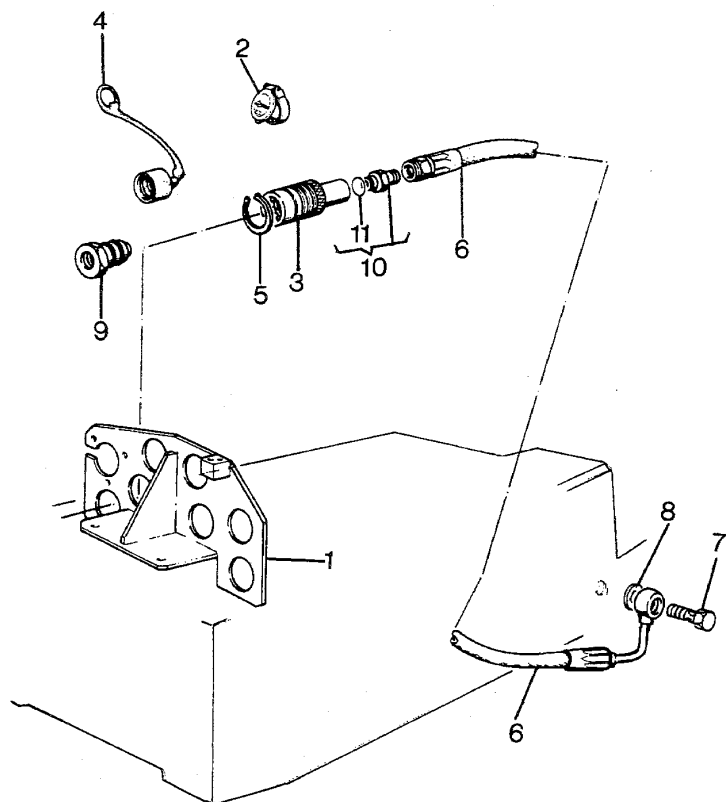
HYDRAULICS AND LINKAGE

P-42
28

ACCESSORIES HYDRAULIC

Frutteti 560 L-V 6560L

P4228



- | | | | | |
|----|------------------------------------|------------------|---|---------|
| 1 | 3307623M91 | | 1 | SUPPORT |
| 2 | 3530933M91 | ● 3530933M92 (1) | 1 | PLUG |
| | | A | | |
| | | B | | |
| 3 | 3304415M91 | A | 1 | UNION |
| 3 | 3534687M91 | B | 1 | HITCH |
| 4 | 3304008M1 | A | 1 | PLUG |
| 4 | 3304008M1 | B | 1 | PLUG |
| 5 | 392759X1 | ● 339820X1 (2) | 2 | RING |
| 6 | 3531707M91 | | 1 | PIPE |
| 7 | 392884X1 | | 1 | FILLER |
| 8 | 3007189X1 | | 1 | GASKET |
| 9 | 3304415M91 | A | 1 | UNION |
| 9 | 3304415M91 | B | 1 | UNION |
| 10 | 1426267M92 | | 1 | UNION |
| 11 | 831497M1 | ! 10 | 1 | RING |
| ! | THIS IS A COMPONENT OF AN ASSEMBLY | | | |
| A | ALTERNATIVE WITH (B) | | | |
| B | ALTERNATIVE WITH (A) | | | |

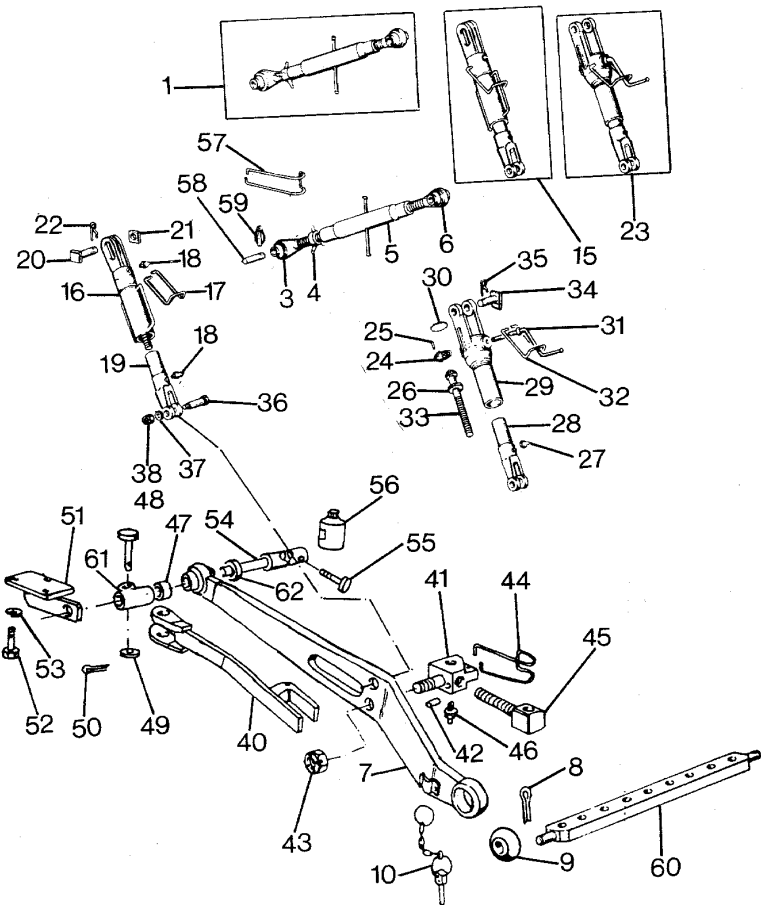
HYDRAULICS AND LINKAGE

P-42
32

LINKAGE

Frutteti 560 L-V 6560L

P4232



29	3308353M91	!	23	1	YOKE
30	395572X1	▲	23	1	BOTTOM
31	1825439M1	!	23	1	LEVER
32	1825440M1	!	23	1	RETAINER
33	3308352M1	!	23	1	GEAR
		▲	15		
34	3301732M91	●	3667799M91 (1) 3670719M91 (1)	1	PIN
35	974303M1			1	SPRING
36	3538890M1			2	PIN
37	390975X1			2	WASHER
38	1441566X1			2	NUT
40	3534571M92	●	3534571M93 (2)	2	STRUT
41	3533934M3			2	SUPPORT
42	3543858M1			2	DOWEL
43	1441626X1			2	NUT
44	3380341M1			2	SPRING
45	3533935M1			2	SCREW
46	1441858X1			2	GREASER
47	3534570M1			2	SPACER
48	364752X1			2	PIN
49	353763X1			2	WASHER
50	354091X1			2	PIN
51	3533704M93			2	SUPPORT
52	339275X1			6	SCREW
53	391414X1			6	LOCK WASHER
54	3537825M1			2	PIN
55	3000253X1			2	SCREW
56	1427801M1	●	1427801M2 (999)	999	LOCTITE
57	1426070M1	⊕		1	HOOK

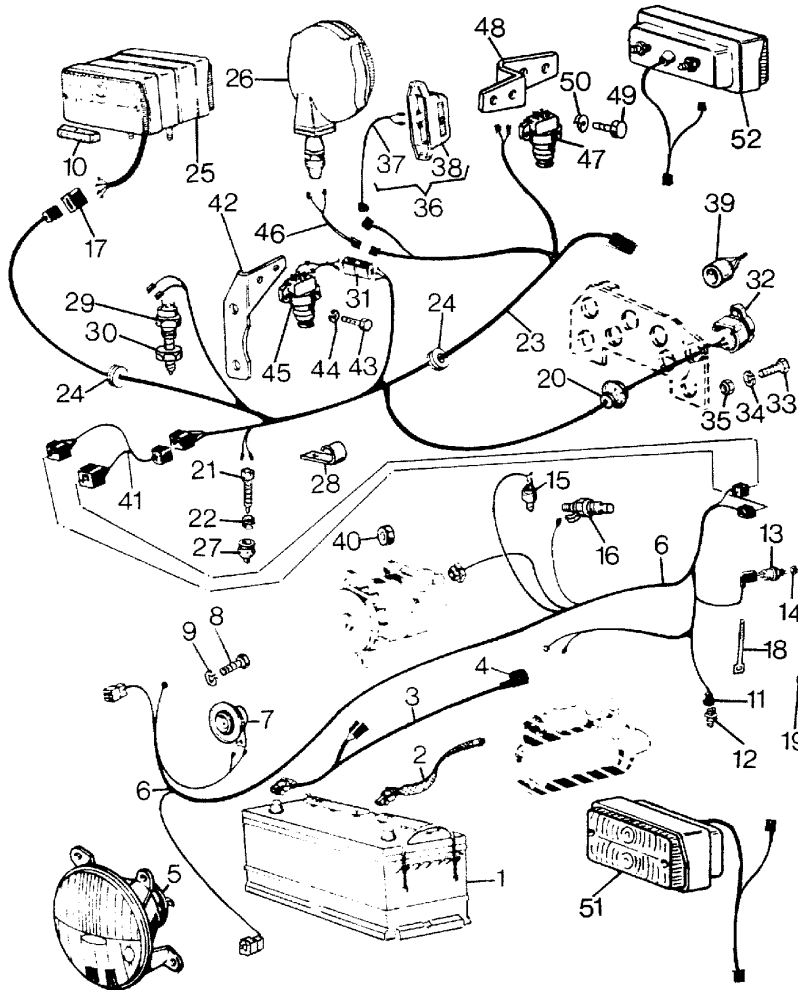
LIGHTING EQUIPMENT

D-00
03

ELECTRICAL WIRING

Frutteti 560 L-V 6560L

D0003



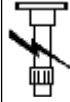
- ! THIS IS A COMPONENT OF AN ASSEMBLY
- ◊ SEE PAGE - REFERENCE NUMBER
- A WITH STANDARD CAB FROM SERIAL S 14037
- A WITHOUT CAB
- B NEUTRAL SAFETY STARTING
- C OIL PRESSURE
- C HELLA TYPE
- D WATER TEMPERATURE
- D FRONT
- F BRAKE SWITCH
- G TWO SPEED P.T.O.
- H SINGLE SPEED P.T.O.
- I 540R.P.M.
- R WITH STANDARD CAB UP TO SERIAL NO S 14036
- T UP TO SERIAL NO R 35158
- U FROM SERIAL R 35159
- Y WITH CAB
- Y REAR
- Y1 NOTA PAGINA ANOMALA

LIGHTING EQUIPMENT

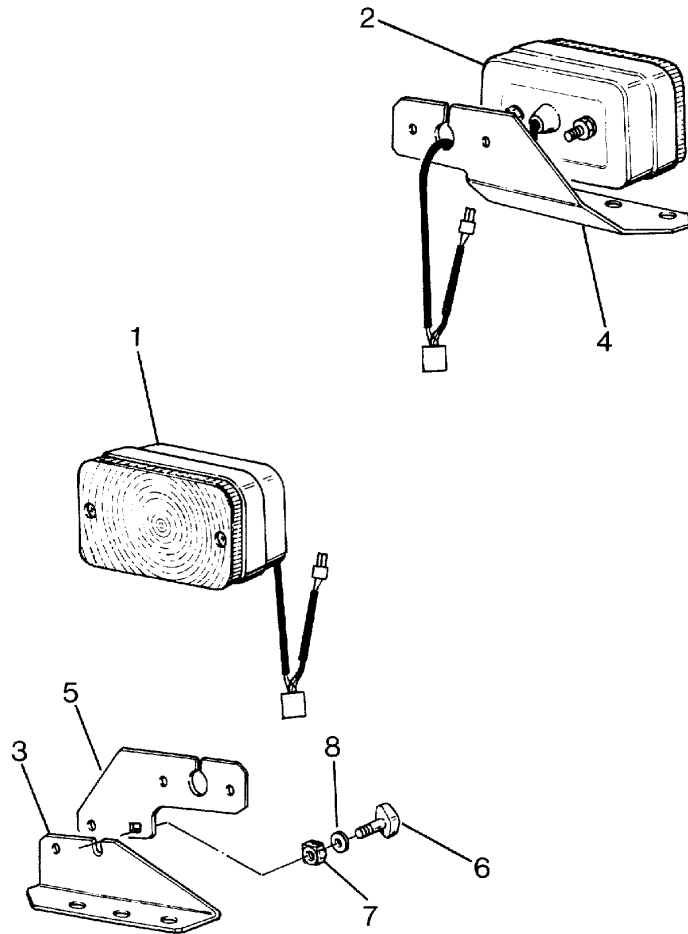
D-00
09

LIGHTING EQUIPMENT

Frutteti 560 L-V 6560L



D0009



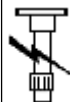
1	3539779M91	A	2	LIGHT
		D		
		D		
		Y		
2	3539835M91	A	2	LIGHT
		D		
		Y		
		Y		
3	3538216M2	◀	1	SUPPORT
		D		
		Y		
3	3538217M2	▶	1	SUPPORT
		D		
		Y		
4	3538214M2	◀	1	SUPPORT
		Y		
		Y		
4	3538215M2	▶	1	SUPPORT
		Y		
		Y		
5	3538220M2	◀	1	PLATE
		Y		
5	3538221M2	▶	1	PLATE
		Y		
6	3551537M91	●	2	KNOB
		Y		
		Y		
7	3538498M91	Y	2	NUT
8	391038X1	Y	2	LOCK WASHER
A	WITH STANDARD CAB FROM SERIAL S 14037			
D	COBO TYPE			
D	FRONT			
◀	LEFT HAND			
▶	RIGHT HAND			
Y	WITH CAB			
Y	REAR			

REAR AXLE AND REAR BRAKES

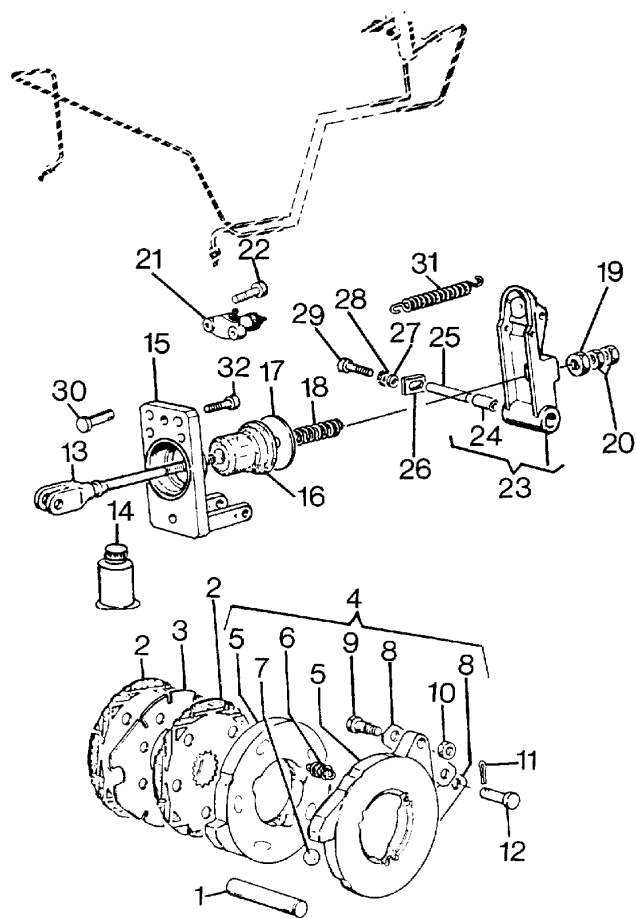
G-40
05

BRAKES AND CONTROLS

Frutteti 560 L-V 6560L



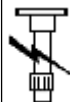
G4005



1	3304656M1		2	PIN
2	3308295M1	● 3550896M1 (6)	6	DISC
3	3308296M1	● 3308296M2 (2)	2	DISC
4	3304634M91	● 3308792M91 (2)	2	KIT
		└ 3308792M91 A		
4	3308792M91	└ 3304634M91 B	2	KIT
5		! 4	2	DISC
		▣ REF.N.4 A		
		B		
6	1005510M1	● 1853148M1 (6)	6	SPRING
		! 4 A		
6	3310765M1	! 4 B	6	SPRING
7	16779X	! 4 A	10	BALL
7	3310764M1	! 4 B	10	BALL
8	1897397M1	! 4 A	4	TIE ROD
8	3310768M1	● 1897397M1 (4)	4	TIE ROD
		! 4 B		
9	1005512M2	! 4 A	2	SCREW
9	3310767M1	● 3679021M1 (4)	4	SCREW
		! 4 B		
10	3310766M1	! 4 B	4	NUT

REAR AXLE AND REAR BRAKES

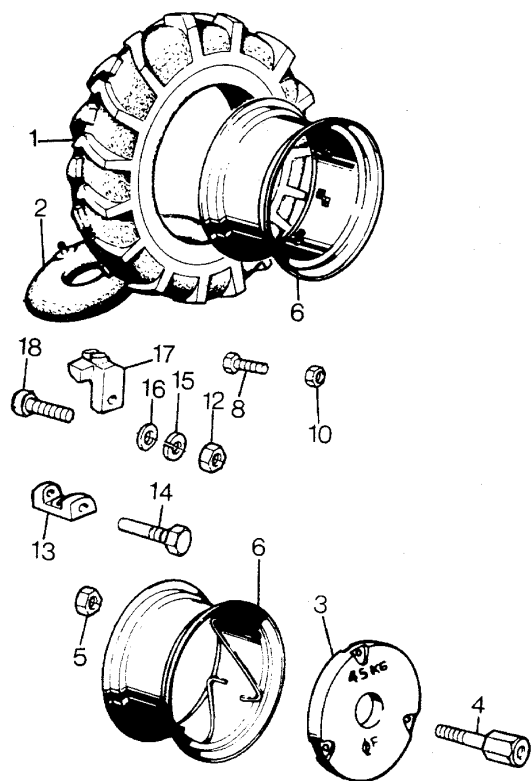
G-40
09



G4009

REAR WHEELS

Frutteti 560 L-V 6560L



4	3303665M1	G	6	SCREW
		M		
4	974398M1	G	6	SCREW
5	392501X1	G	6	NUT
		M		
6	3303370M94	B	2	HOOP
		F		
		W12-24		
6	3303370M94	⊙	2	HOOP
		A		
		W12-24		
6	3306146M94	C	2	HOOP
		E		
		W12-28		
6	3306148M93	E	2	HOOP
		W10-28		
6	3307055M92	A	2	HOOP
		E		
		W13-24		
6	3307411M92	E	2	HOOP
		W10-28 PAVT		
6	3308675M93	C	2	HOOP
		W10-24		
6	3381506M91	C	2	HOOP
		E		
		W12-28 PAVT		
8	3304220M1		12	SCREW
10	3009749X1	●	12	NUT
12	3009747X1	I	10	NUT
13	227609M1	●	8	RETAINER
		I		
14	1751403M1	I	8	SCREW
15	1440318X1	I	10	LOCK WASHER

SHEET METAL

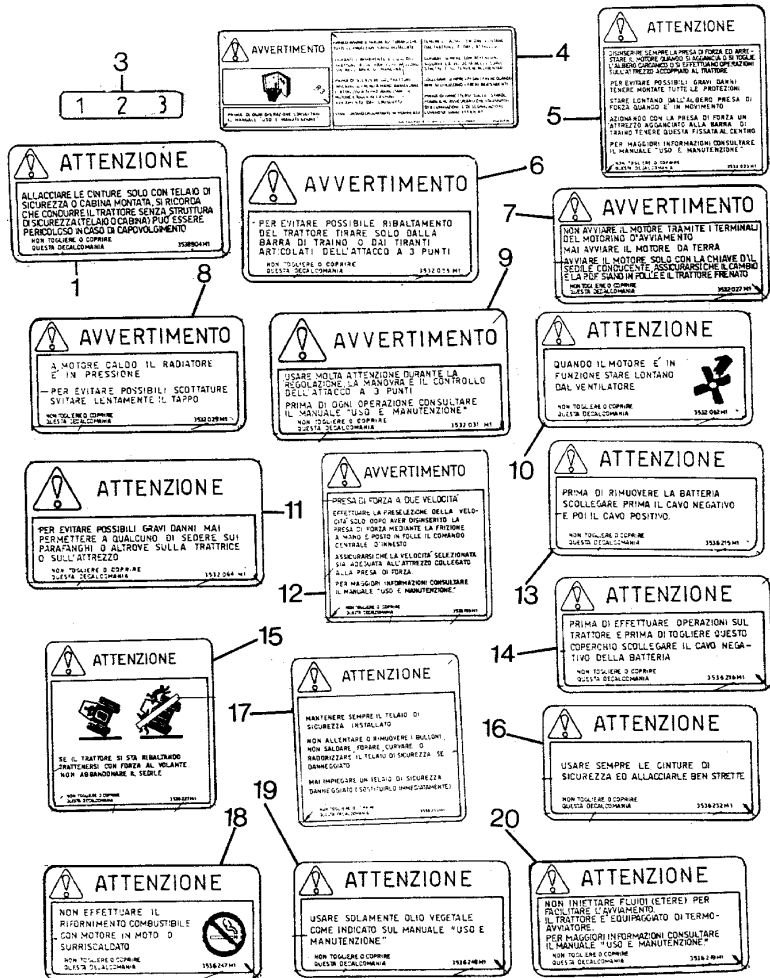
Frutteti 560 L-V 6560L

R-20
05



R2005

DECALS



8	3532029M1	Ⓧ		1	DECAL
8	3532030M1	Ⓧ		1	DECAL
			C		
8	3536822M1	Ⓧ		1	DECAL
			H		
8	3537752M1		I	1	DECAL
9	3532031M1	Ⓧ		1	DECAL
9	3532032M1	●	N.L.S. (1)	1	DECAL
			Ⓧ		
			C		
9	3536835M1	Ⓧ		1	DECAL
			H		
9	3537753M1		I	1	DECAL
10	3532062M1	Ⓧ		2	DECAL
10	3532063M1	●	3559552M95 (2)	2	DECAL
			Ⓧ		
			C		
10	3536821M1	Ⓧ		2	DECAL
			H		
10	3537754M1	●	4203959M91 (2)	2	DECAL
			I		
11	3532064M1	●	3559552M95 (1)	1	DECAL
			Ⓧ		
11	3532065M1	Ⓧ		1	DECAL
			Ⓧ		
			C		
11	3536832M1	Ⓧ		1	DECAL
			H		
11	3537755M1		I	1	DECAL
12	3536193M1	Ⓧ		1	DECAL
12	3536802M1	Ⓧ		1	DECAL
			Ⓧ		
			C		

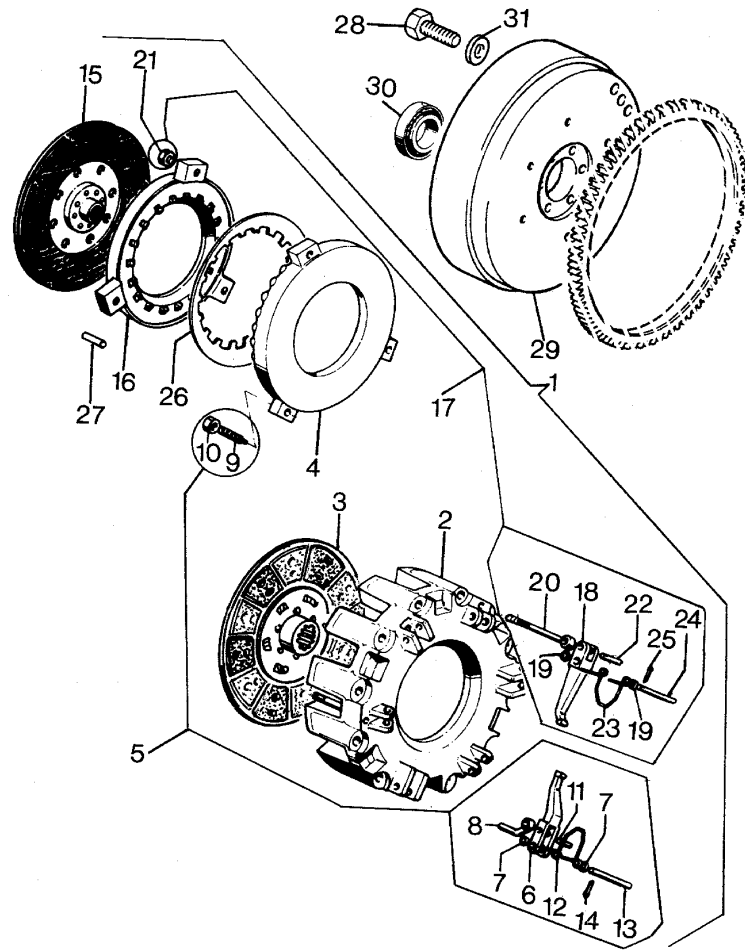
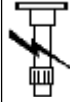
TRANSMISSION

E-04
02

CLUTCH

Frutteti 560 L-V 6560L

E0402



15	1424135M93	!	1	1	DISC
			D		
16	3300650M2	!	1	1	PLATE
		→	S07097		
16	3311922M1	!	1	1	SUPPORT
		→	S07098		
17	3311539M91	!	1	1	KIT
		→	S07097		
			D		
17	3311920M91	!	1	1	KIT
		→	S07098		
			D		
18		!	17	3	LEVER
		→	REF.N.17		
19		!	17	6	BUSH
		→	REF.17		
20	3300649M1	!	17	3	STRUT
		→	S07098		
21	3300652M1	!	17	3	NUT
22	3300642M1	!	17	3	PIN
		→	S07098		
23	3300666M1	!	17	3	SPRING
		→	S07098		
24	3300644M1	!	17	3	PIN
		→	S07098		
25	1440389X1	●	1441726X1 (3)	3	DOWEL
		!	17		
26	3310981M2	!	1	1	SPRING
27	1440961X1	!	1	1	DOWEL
28	973013M1			6	BOLT
29	1825511M1	●	3653185M91 (1)	1	FLYWHEEL
30	339599X1			1	BEARING
31		E		6	WASHER

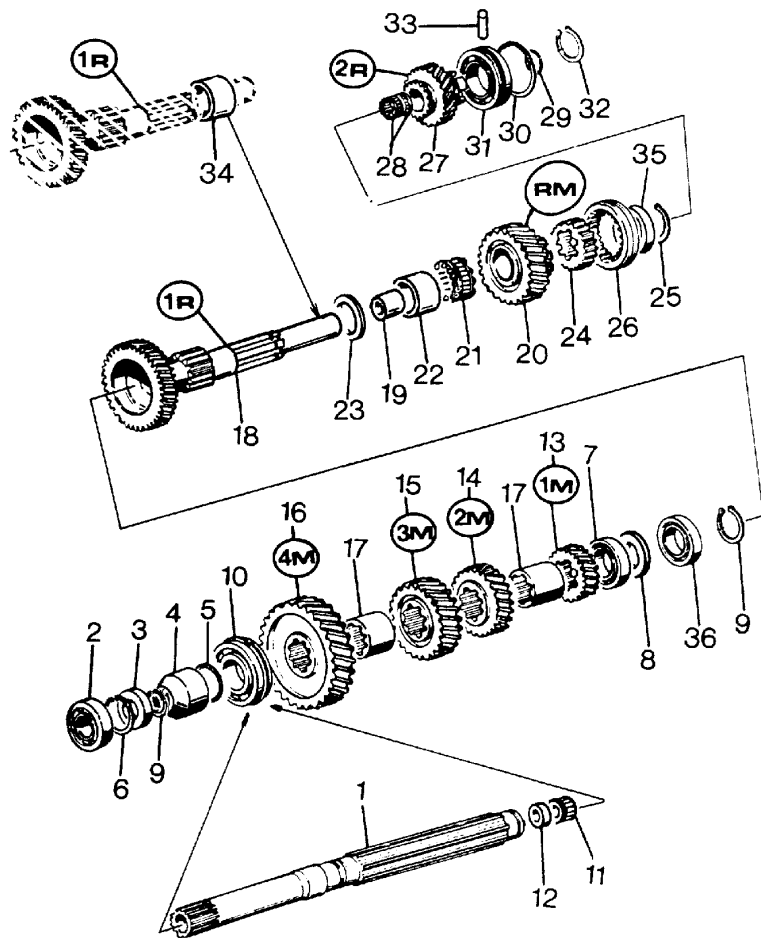
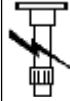
TRANSMISSION

E-04
06

12 SPEED TRANSMISSION

Frutteti 560 L-V 6560L

E0406



23	3532497M1	A	1	SPACER
		B		
		C		
		E		
		F		
24	3534402M1		1	HUB
25	1442697X1		1	RING
26	3536992M1		1	SLEEVE
27	3534368M1	25	1	GEAR
28	395567X1		2	CAGE
29	395566X1		1	RING
30	339517X1		1	RING
31	1443559X1		1	BEARING
32	339605X1		1	RING
33	3307947M2	3307947M3 (1) R25054	1	PIN
		R25055		
33	3534671M2		1	PIN
34	3534366M1	B	1	SPACER
35	3534375M1		1	BEARING
36	1440511X1		1	BEARING



FROM SERIAL OR ENGINE NUMBER



UP TO SERIAL OR ENGINE NUMBER

A

USED WITHOUT STD REDUCER

B

STANDARD TRANSMISSION AND OVERDRIVE UNDERDRIVE VERSION

B

WITH REVERSOMATIC TRANSMISSION

C

STANDARD TRANSMISSION

E

STANDARD TRANSMISSION - OVERDRIVE AND CREEPER VERSION

F

STANDARD TRANSMISSION - UNDERDRIVE AND CREEPER VERSION



NUMBER OF TEETH/SPLINES

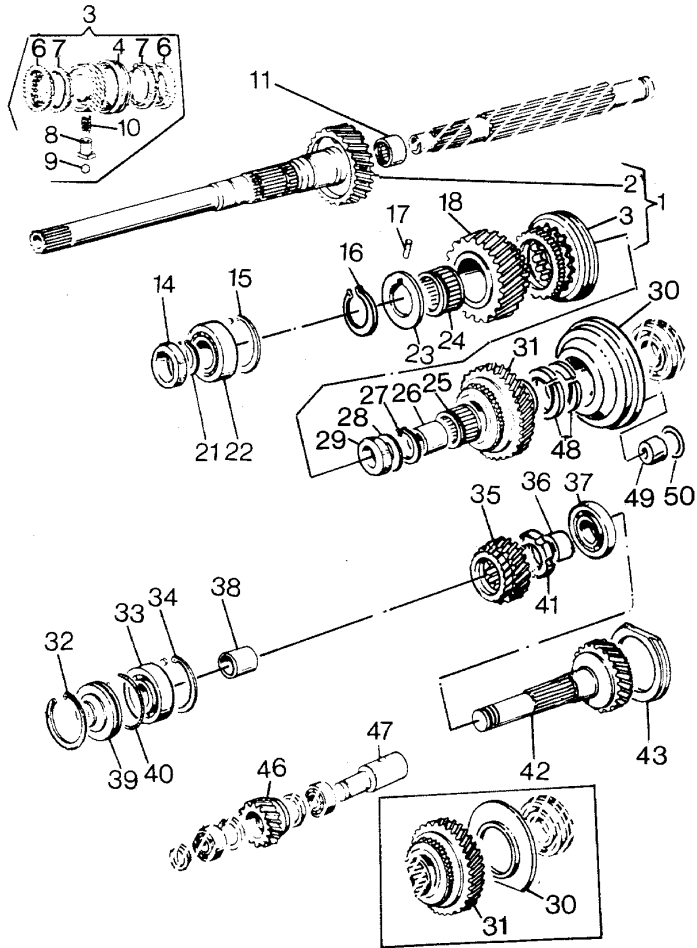
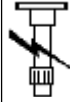
TRANSMISSION

E-04
11

REDUCER

Frutteti 560 L-V 6560L

E0411



8	3538529M1	!	3	GRAZIANO	3	SKATE
8	3539424M1	!	3	CATTINI	3	SKATE
9	1444586X1	!	3		3	BALL
10	3533975M1	!	3	GRAZIANO	3	SPRING
10	3539425M1	!	3	CATTINI	3	SPRING
11	3533946M1		1		1	CAGE
14	973454M1		1		1	SEAL
15	339437X1		1		1	RING
16	390232X1		1		1	RING
17	3535083M1		1		1	PIN
18	3534541M1	⇨	1	C23013	1	GEAR
18	3548390M1	⇨	1	C23014	1	GEAR
21	392759X1	●	1	339820X1 (1)	1	RING
22	339818X1		1		1	BEARING
23	3309354M1		1		1	DISC
24	392519X1	●	1	3647577M1 (1)	1	BEARING
25	3304944M1		1		1	BEARING
26	3305062M2	⇨	1	C23013	1	BUSH
26	3548467M1	⇨	1	C23014	1	RING
27	3006803X1		1		1	RING
28	3305063M1	⇨	1	C23013	1	WASHER
28	3548402M1	⇨	1	C23014	1	SPACER
29	1441802X1	⇨	1	C23014	1	SEAL
29	1442903X1	⇨	1	C23013	1	SEAL
30	3309350M1	⇨	1	P47062	1	DISC
30	3538775M2	⇨	1	P47063	1	DISC
		⇨	1	C23013		
30	3548466M1	⇨	1	3548466M3 (1)	1	FLANGE
		⇨	1	C23014		

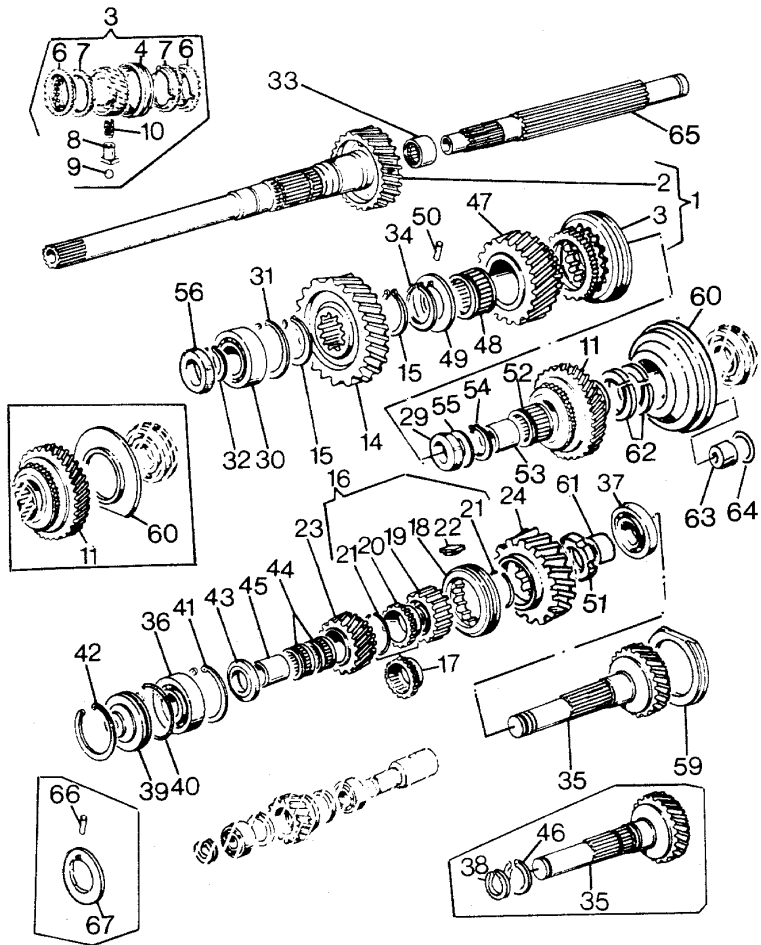
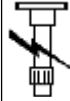
TRANSMISSION

E-04
15

REDUCER

Frutteti 560 L-V 6560L

E0415



8	3538529M1	!	3	GRAZIANO	3	SKATE
8	3539424M1	!	3	CATTINI	3	SKATE
9	1444586X1	!	3		3	BALL
10	3533975M1	!	3	GRAZIANO	3	SPRING
10	3539425M1	!	3	CATTINI	3	SPRING
11	3533978M1	➔	1	C23013	1	GEAR
11	3548316M1	➔	1	37	1	GEAR
14	3534343M1		1	C23014	1	GEAR
15	339470X1		2		2	RING
16	3534574M91		1	CATTINI	1	SYNCHRO GEAR
16	3535785M91	●	1	3534574M91 (1)	1	SYNCHRO GEAR
17	3534569M1	●	1	GRAZIANO	1	CROWNWHEEL
17	3535786M1	!	16	3535786M1 (1)	1	CROWNWHEEL
17	3535786M1	!	16	CATTINI	1	CROWNWHEEL
18	3533959M1	!	16	GRAZIANO	1	SLEEVE
18	3534575M1	●	1	GRAZIANO	1	SLEEVE
18	3533959M1	!	16	3533959M1 (1)	1	SLEEVE
19	3533960M1	!	16	CATTINI	1	HUB
19	3534576M1	●	1	GRAZIANO	1	HUB
19	3533960M1	!	16	3533960M1 (1)	1	HUB
20	3536760M1	!	16	CATTINI	1	RING
				GRAZIANO		

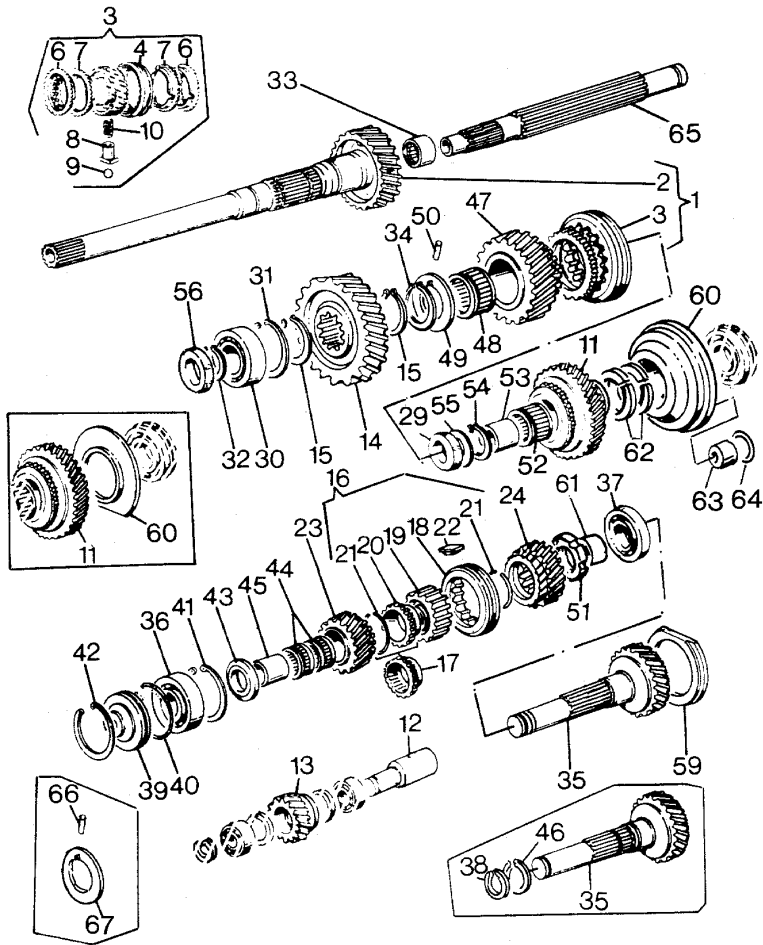
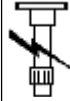
TRANSMISSION

E-04
19

REDUCER

Frutteti 560 L-V 6560L

E0419



1	3538467M92	●	3533888M1 (1)	1	SHAFT
		→	3538468M92 (1)		
			C23013		
			GRAZIANO		
1	3549748M91	●	3533888M1 (1)	1	SHAFT
		→	3538468M92 (1)		
			C23013		
			CATTINI		
1	3550785M91	●	3550786M91 (1)	1	SHAFT
		→	C23014		
			GRAZIANO		
1	3550786M91	→	C23014	1	SHAFT
			CATTINI		
2	3533888M1	!	1	1	SHAFT
		→	C23013		
2	3550787M1	!	1	1	SHAFT
		→	C23014		
3	3538468M92	!	1	1	SYNCHRO GEAR
			GRAZIANO		
3	3549749M91	!	1	1	SYNCHRO GEAR
			CATTINI		
4	3538584M1	●	3538468M92 (1)	1	SLEEVE
		!	3		
			GRAZIANO		
4	3549750M1	!	3	1	SLEEVE
			CATTINI		
6	3538531M1	!	3	2	CROWNWHEEL
			GRAZIANO		
6	3539428M1	!	3	2	CROWNWHEEL
			CATTINI		
7	3538127M1	!	3	2	RING
			GRAZIANO		
7	3549754M1	!	3	2	RING
			CATTINI		

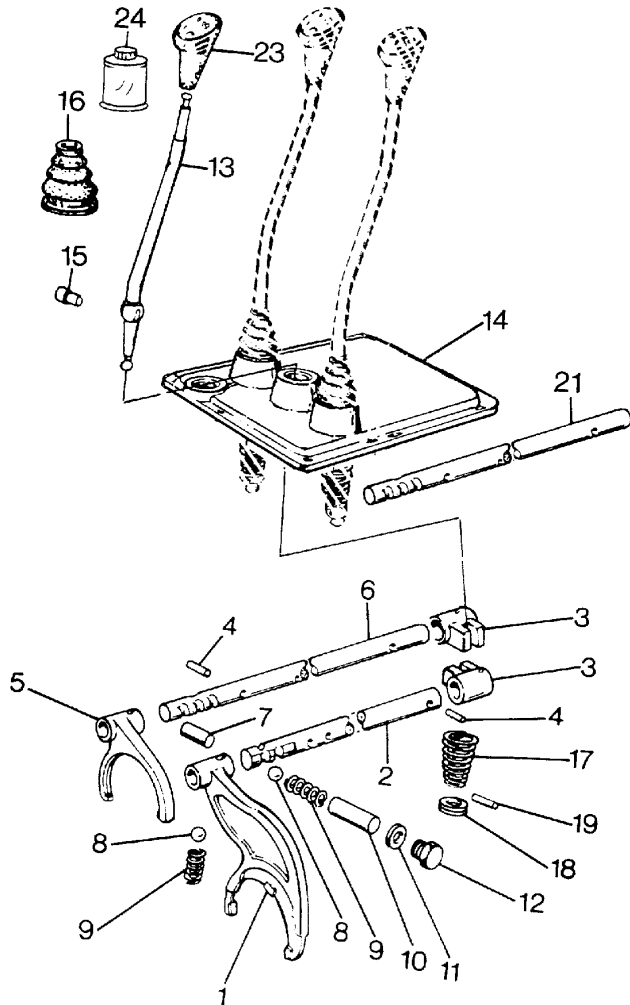
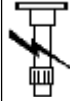
TRANSMISSION

E-04
22

REDUCER CONTROL OPZIONI

Frutteti 560 L-V 6560L

E0422



- | | | | | | |
|----|------------|---|----------------|-----|---------|
| 1 | 3534150M2 | ● | 3534150M3 (1) | 1 | YOKE |
| 2 | 3531818M1 | ⇨ | A14008 | 1 | ROD |
| 2 | 3544714M1 | ⇨ | A14009 | 1 | ROD |
| 3 | 3531820M2 | | | 2 | GUIDE |
| 4 | 1441736X1 | | | 4 | DOWEL |
| 5 | 3534148M2 | ● | 3534148M3 (1) | 1 | YOKE |
| 6 | 3531819M2 | | | 1 | ROD |
| 7 | 1824702M1 | | | 1 | PIN |
| 8 | 361031X1 | | | 2 | BALL |
| 9 | 3305061M1 | | | 2 | SPRING |
| 10 | 3533966M1 | | | 1 | PIN |
| 11 | 1440700X1 | | | 2 | GASKET |
| 12 | 1441308X1 | | | 2 | SCREW |
| 13 | 3535619M1 | | | 1 | LEVER |
| 14 | 3531805M3 | ● | 3531805M6 (1) | 1 | COVER |
| 15 | 973267M2 | | | 1 | PIN |
| 16 | 3530683M91 | ● | 3530683M92 (1) | 1 | BELLOWS |
| 17 | 3535622M1 | | | 1 | SPRING |
| 18 | 1824691M1 | | | 2 | BASE |
| 19 | 390244X1 | | | 1 | DOWEL |
| 21 | 3535616M1 | | | 1 | ROD |
| 23 | 3534447M92 | | | 1 | GRIP |
| 24 | 3532563M1 | | | 999 | LOCTITE |
- ⇨ FROM SERIAL OR ENGINE NUMBER
⇨ UP TO SERIAL OR ENGINE NUMBER

CLICK HERE TO **DOWNLOAD** THE COMPLETE MANUAL

- Thank you very much for reading the preview of the manual.
- You can download the complete manual from: www.heydownloads.com by clicking the link below



- Please note: If there is no response to CLICKING the link, please download this PDF first and then click on it.

CLICK HERE TO **DOWNLOAD** THE COMPLETE MANUAL