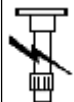


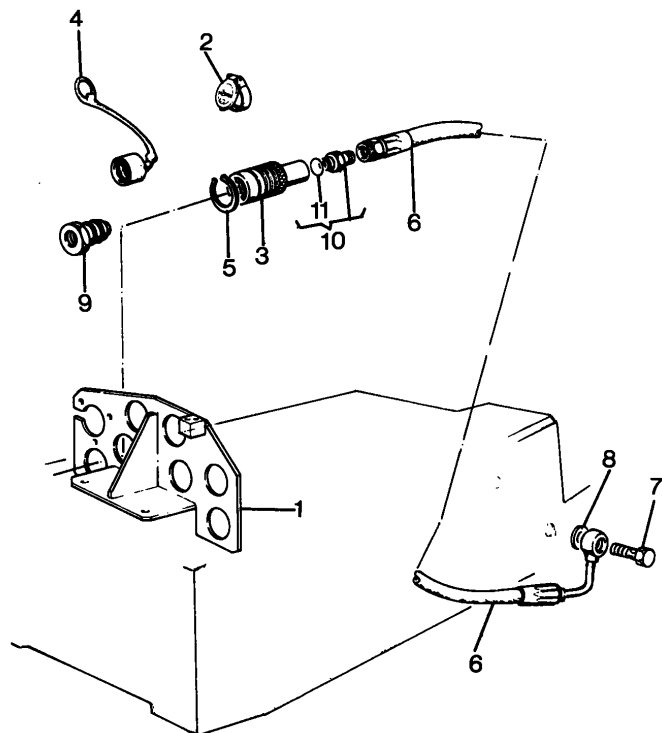
ACCESSORIES AND APPLICATION MISCELLANEOUS

Frutteti 560 F 6060F



ACCESSORIES HYDRAULIC

4-AY01-002-A



1	3307623M91		1	SUPPORT
1	3539367M91	M	1	SUPPORT
2	3530933M91	● 3530933M92 (1)	1	PLUG
3	3534687M91		1	HITCH
4	3304008M1		1	PLUG
5	392759X1	● 339820X1 (2)	2	CLIP
6	3531707M91		1	PIPE
7	392884X1		1	BOLT
8	3007189X1		1	SEAL
9	3304415M91		1	UNION
10	1426267M91	● 1426267M92 (1)	1	UNION
11	831497M1	! 10	1	O RING
!	THIS IS A COMPONENT OF AN ASSEMBLY			
M	GROUND EFFECT			

CLICK HERE TO **DOWNLOAD** THE COMPLETE MANUAL

- Thank you very much for reading the preview of the manual.
- You can download the complete manual from: www.heydownloads.com by clicking the link below

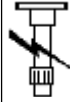


- Please note: If there is no response to CLICKING the link, please download this PDF first and then click on it.

CLICK HERE TO **DOWNLOAD** THE COMPLETE MANUAL

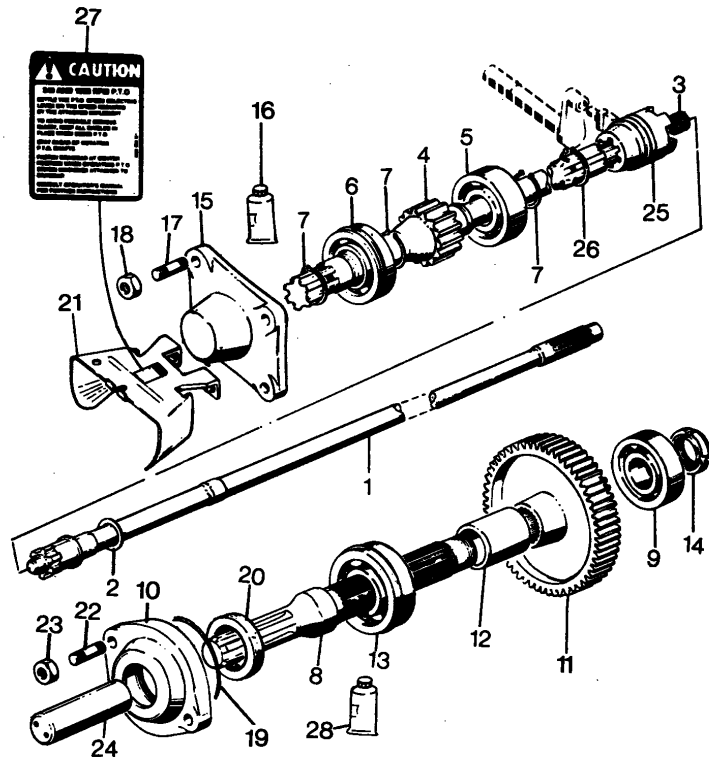
ACCESSORIES AND APPLICATION MISCELLANEOUS

Frutteti 560 F 6060F



"FRONT" PTO DRIVE SHAFT

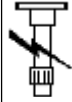
4-AX18-044-B



1	3307884M1	A	1	SHAFT	
1	3309364M1	●	3309364M2 (1)	1	SHAFT
		C			
		C			
2	1423680M1		1	BUSH	
3	1442537X1		1	ROLLER	
4	1423681M2		1	SHAFT	
5	339436X1		1	BEARING BALL	
6	1440559X1		1	BEARING	
7	339469X1		3	SEGMENT	
8	1824899M1	●	3543737M3 (1)	1	SHAFT
9	339436X1	↑	R25054	1	BEARING BALL
9	353105X1	↑	R25055	1	BEARING BALL
10	3533069M1	●	3543738M2 (1)	1	COVER
		↑	3543743M1 (1)		
		↑	390735X1 (2)		
			S33037		
10	3539423M1	●	3543738M2 (1)	1	COVER
		↑	3543743M1 (1)		
		↑	390735X1 (2)		
			S33038		
11	1825001M3	▲	54	1	GEAR
12	1825000M1			1	SPACER
13	831789M1			1	BEARING
14	392771X1			1	NUT
15	1825005M4			1	COVER
16	3536801M1			999	LOCTITE
17	974743M1	●	3015155X1 (4)	4	STUD
18	1440200X1			4	NUT BSF
19	359104X1	!	10	1	SEAL
20	3019963X1			1	BUSH
21	3530954M92	D		1	GUARD

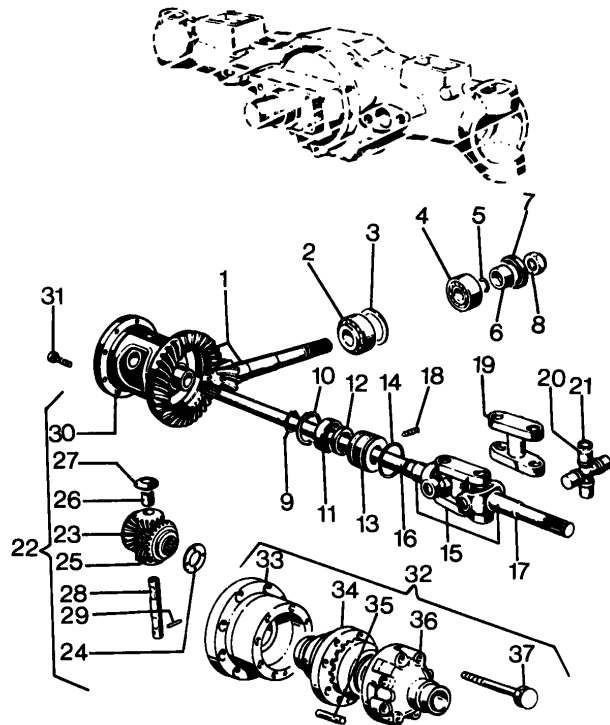
ACCESSORIES AND APPLICATION MISCELLANEOUS

Frutteti 560 F 6060F



FRONT AXLE 4 WHEEL DRIVE- DIFFERENTIAL

4-AK04-015-A



1	3427563M91	▲	10/34 M	1	KIT
1	3427563M91	▲	10/34	1	KIT
1	3428355M91	▲	11/32 M	1	KIT
2	390876X1			1	BEARING TAPER
3	1823578M1	▼	0,15MM.	999	SHIM
3	1823579M1	▼	0,3MM.	999	SHIM
3	1823580M1	●	1823579M1 (1998)	999	SHIM
3	1823581M1	▼	0,5MM.		
3	1823581M1	▼	0,7MM.	999	SHIM
4	1820418M1			1	BEARING
5	364777X1			1	O RING
6	1423664M1			1	SPACER
7	392101X1			1	GASKET
8	392838X1			1	NUT BSF
9	339469X1			2	SEGMENT
10	1440479X1			2	CIRCLIP
11	390984X1			2	BEARING BALL
12	392107X1			2	SEAL
13	1823555M1			2	HOUSING
14	3019924X1			2	O RING
15	3426062M91			2	SHAFT
16	3310488M1	!	15	2	SHAFT
17	3310491M1	!	15	2	SHAFT
18	391272X1			2	SCREW
19	3310489M1	!	15	2	UNIVERSAL
20	3310490M91	!	15	4	CROSSPIECE
21	1423445M1	!	15	8	CIRCLIP
22	1824241M93	B		1	DIFFERENTIAL
23	1823554M1	!	22 B	2	GEAR
24	1823586M1	!	22 B	2	WASHER

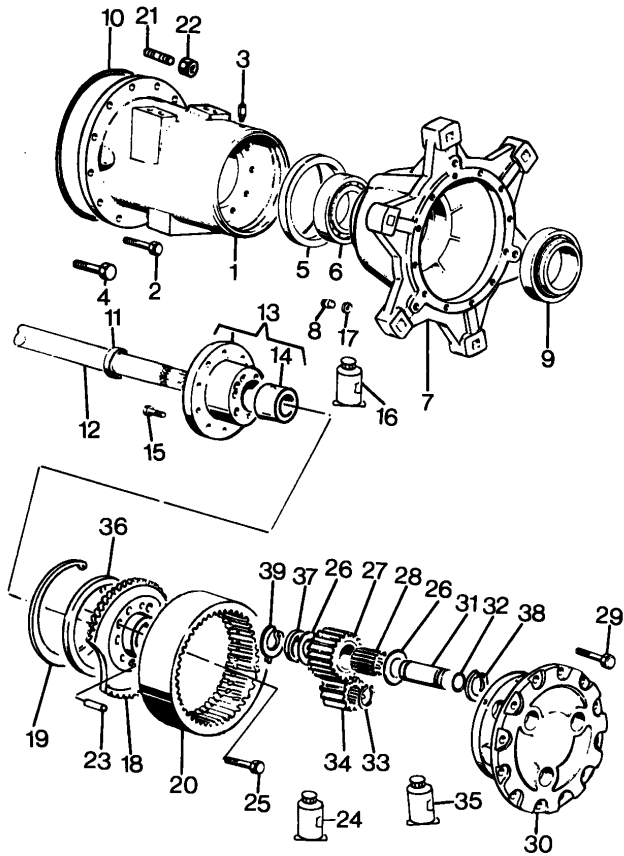
ACCESSORIES AND APPLICATION MISCELLANEOUS

REAR AXLE - HOUSING

Frutteti 560 F 6060F



4-AG13-011 -A



- 39 3426957M1 6 SEGMENT
- ! THIS IS A COMPONENT OF AN ASSEMBLY
- ☞ SEE PAGE - REFERENCE NUMBER
- ◀ SHIM
- ◀ LEFT HAND
- ▶ RIGHT HAND
- ◄ LENGTH
- M USE WITH BALLOON TYRES
- M GROUND EFFECT

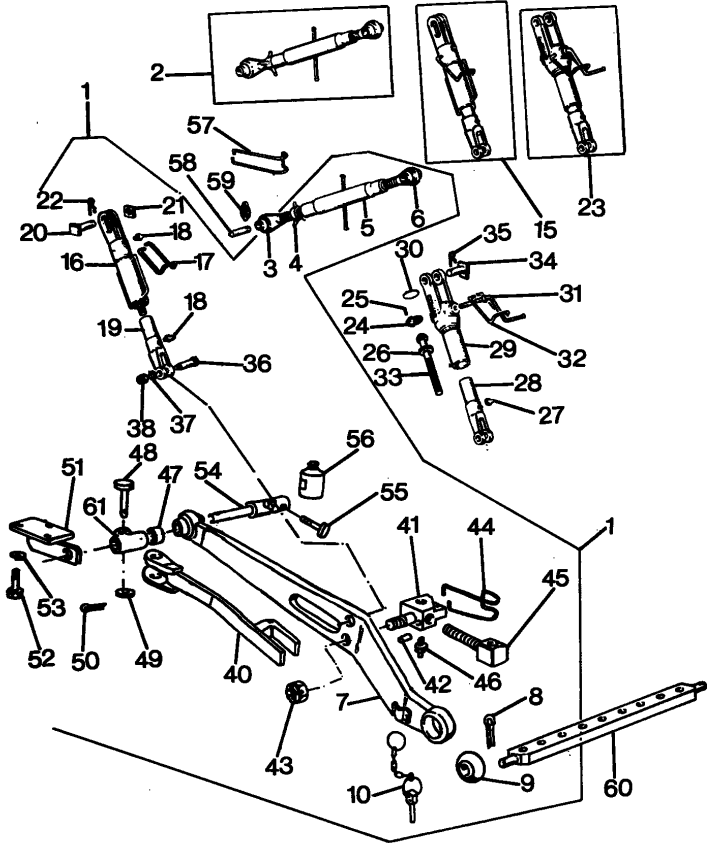
ACCESSORIES AND APPLICATION MISCELLANEOUS

Frutteti 560 F 6060F



LINKAGE CAT 2

4-AQ22-018-B

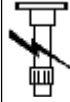


1	3534139M92	A	1	LINKAGE
		B		
1	3539137M91	F	1	LINKAGE
2	1825402M92	!	1	ROD
3	1825391M91	!	2	TOGGLE
4	1825401M1	!	2	NUT
5	1825397M92	!	2	TOP LINK
6	1825403M91	!	2	LINK
7	3533820M91	●	3533820M92 (1)	TIE ROD
		!	1	
		▲		
7	3533821M91	●	3533821M92 (1)	TIE ROD
		!	1	
		▼		
8	3306953M1	!	7	PIN
9	3306955M1	!	1	BALL
10	1825417M91	!	1	PIN
15	3308441M91	!	1	BOX
		▲		
16	3308445M91	!	15	BOX
		▲		
17	1825440M1	!	15	CLIP
18	339608X1	!	15	GREASER
19	3307444M91	!	15	FORK
		▼		
20	3300763M91	●	3667798M91 (1)	PIN
		!	3670719M91 (1)	
			1	
21	3300764M1	●	3300764M2 (1)	PLATE
		!	1	
22	974303M1	!	1	PIN
23	3308357M91	●	3300764M2 (1)	BOX
		!	3308441M91 (1)	
		▲	3667796M91 (1)	
			3670719M91 (1)	
			1	

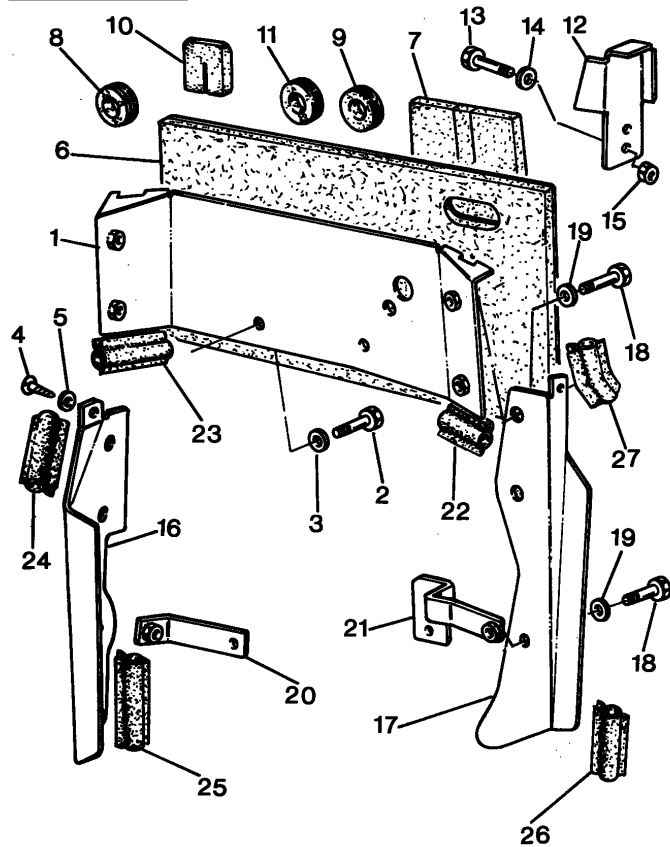
ACCESSORIES AND APPLICATION MISCELLANEOUS

TRACTOR CAB - CAB INSULATION

Frutteti 560 F 6060F



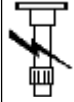
4-1810-004-A



- | | | | | |
|----|------------|-----------------|---|----------|
| 1 | 3539346M91 | | 1 | BULKHEAD |
| 2 | 353896X1 | | 2 | SCREW |
| 3 | 390734X1 | | 2 | WASHER |
| 4 | 1443641X1 | | 2 | SCREW |
| 5 | 3019560X1 | | 2 | WASHER |
| 6 | 3539163M1 | | 1 | BULKHEAD |
| 7 | 3539357M1 | | 1 | RING |
| 8 | 3539359M1 | | 1 | RING |
| 9 | 3535133M1 | | 2 | RING |
| 10 | 3539358M1 | | 1 | CAP |
| 11 | 3300970M2 | ● 3300970M1 (1) | 1 | GROMMET |
| 12 | 3539160M1 | ▶ | 1 | BULKHEAD |
| 12 | 3539161M1 | ▲ | 1 | BULKHEAD |
| 13 | 339560X1 | | 2 | SCREW |
| 14 | 390971X1 | | 6 | WASHER |
| 15 | 339030X1 | ● 1441500X1 (2) | 2 | NUT BSF |
| 16 | 3539349M1 | ▶ | 1 | BULKHEAD |
| 17 | 3539350M1 | ▲ | 1 | BULKHEAD |
| 18 | 339560X1 | | 6 | SCREW |
| 19 | 390971X1 | | 6 | WASHER |
| 20 | 3539351M91 | ▶ | 1 | STIRRUP |
| 21 | 3539352M91 | ▲ | 1 | STIRRUP |
| 22 | 3539418M1 | ▲ | 1 | SKIRT |
| 23 | 3539435M1 | ▶ | 1 | SKIRT |
| 24 | 3539434M1 | ▶ | 1 | SKIRT |
| 25 | 3539417M1 | ▶ | 1 | SKIRT |
| 26 | 3539432M1 | ▲ | 1 | SKIRT |
| 27 | 3539433M1 | ▲ | 1 | SKIRT |
- ▲ LEFT HAND
 ▶ RIGHT HAND

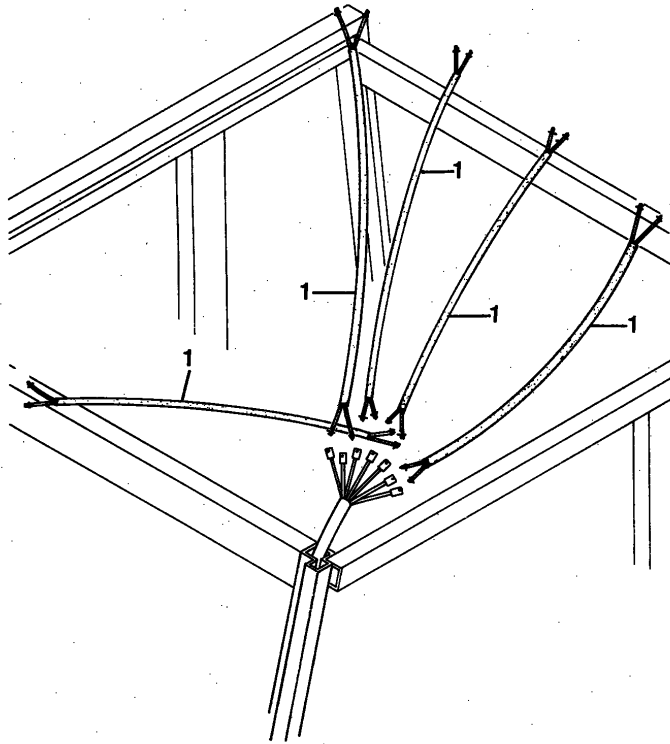
ACCESSORIES AND APPLICATION MISCELLANEOUS

Frutteti 560 F 6060F



CAB - ELECTRICAL EQUIPMENT

4-1794-002 -A



1

TBA

5 CABLE

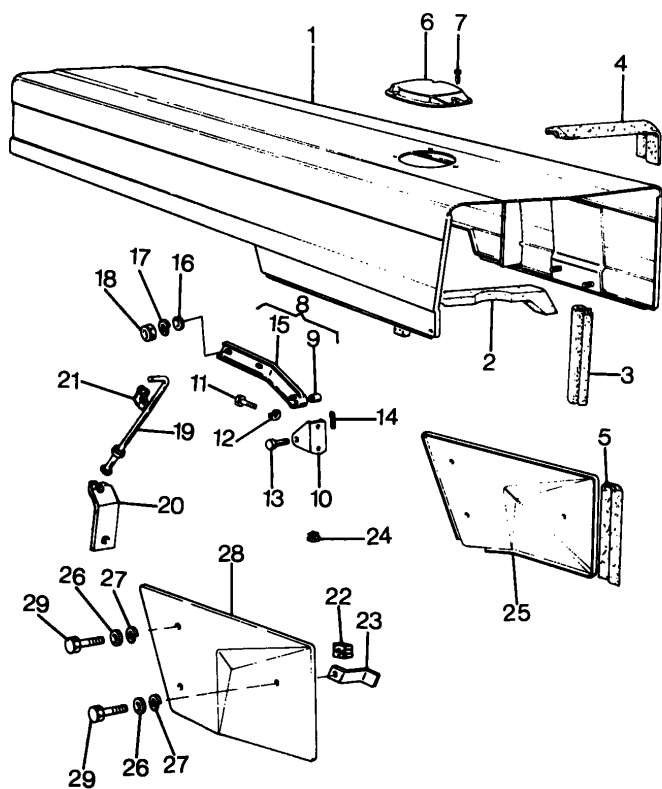
ACCESSORIES AND APPLICATION MISCELLANEOUS

SHEET METAL - HOOD

Frutteti 560 F 6060F



4-AR03-010-A



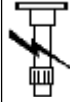
28 3308029M1 ►
29 339124X1

1 FENCE
6 SCREW

- ! THIS IS A COMPONENT OF AN ASSEMBLY
- ☞ NOT SERVICED, ORDER
- C "STANDARD" VERSION
- ◄ LEFT HAND
- RIGHT HAND

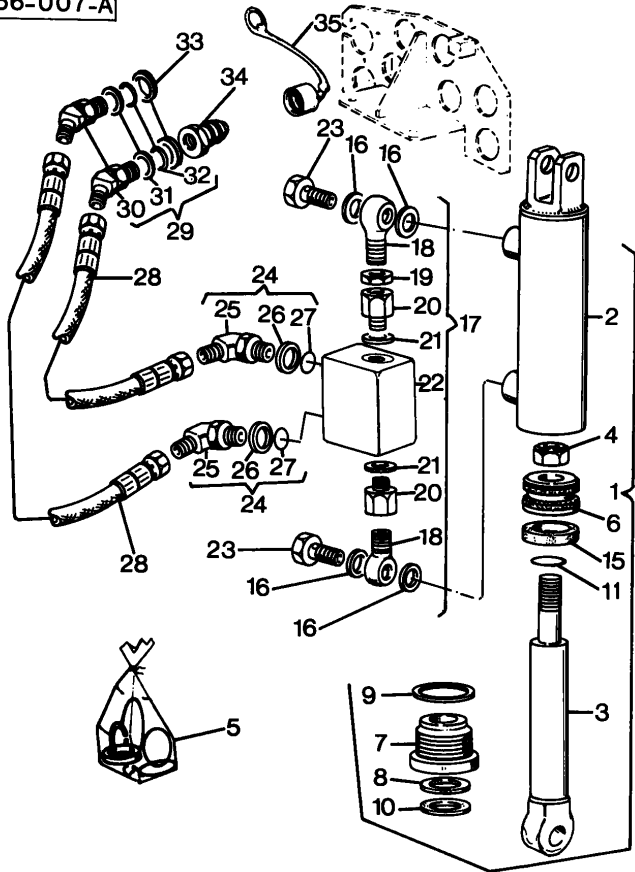
ACCESSORIES AND APPLICATION MISCELLANEOUS

Frutteti 560 F 6060F



HYDRAULIC LIFT CYLINDER

4-1666-007-A



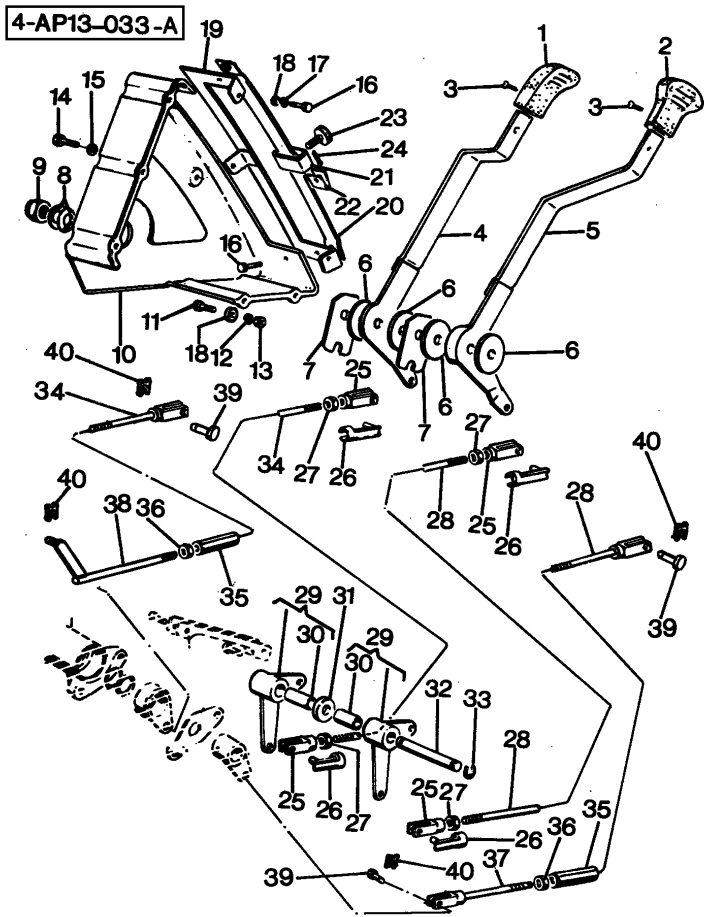
1	3531981M91	●	3531981M92 (1)	1	CYLINDER
2		!	1	1	LINER
			TBA		
3		!	1	1	STEM
			TBA		
4		!	1	1	NUT
			TBA		
5			TBA	1	KIT
6		!	1	1	PISTON
			TBA		
7		!	1	1	BREECH PLATE
			TBA		
8	3531973M1	!	5	1	GASKET
9	195654M1	!	5	1	GASKET
10	3531974M1	!	5	1	RING
11	364784X1	!	5	1	RING
15	3531890M1	!	5	1	GASKET
16		!	1	4	WASHER
			TBA		
17	3531975M91	●	3665756M91 (1)	1	VALVE
			1		
18		!	17	2	UNION
			TBA		
19		!	17	1	NUT
			TBA		
20		!	17	2	NUT
			TBA		
21		!	17	2	WASHER
			TBA		
22		!	17	1	VALVE
			TBA		
23		!	1	2	UNION
			TBA		

ACCESSORIES AND APPLICATION MISCELLANEOUS

Frutteti 560 F 6060F



REAR CONTROLS- DRAFT AND POSITION



- ! THIS IS A COMPONENT OF AN ASSEMBLY
- ➔ FROM SERIAL OR ENGINE NUMBER
- ➞ UP TO SERIAL OR ENGINE NUMBER
- C "STANDARD" VERSION
- F GROUND EFFECT

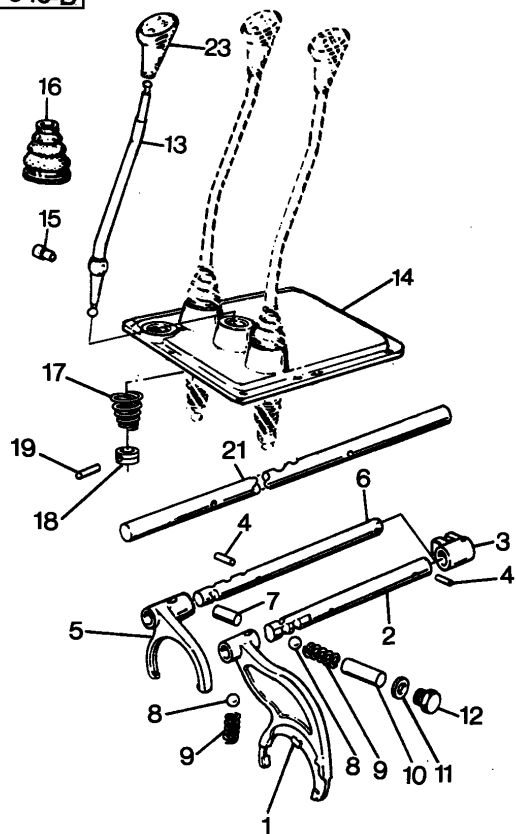
ACCESSORIES AND APPLICATION MISCELLANEOUS

Frutteti 560 F 6060F



REDUCER CONTROL

4-AE80-040-B



- | | | | | | |
|----|------------|---|----------------|---|------------|
| 1 | 3534150M2 | ● | 3534150M3 (1) | 1 | YOKE |
| 2 | 3531818M1 | | | 1 | ROD |
| 3 | 3531820M2 | | | 2 | GUIDE |
| 4 | 1441736X1 | | | 4 | PIN |
| 5 | 3534148M1 | ● | 3534148M3 (1) | 1 | YOKE |
| 6 | 3531819M1 | ● | 3531819M2 (1) | 1 | ROD |
| 7 | 1824702M1 | | | 1 | PIN |
| 8 | 361031X1 | | | 2 | BALL |
| 9 | 3305061M1 | | | 2 | SPRING |
| 10 | 3533966M1 | | | 1 | PIN |
| 11 | 1440700X1 | | | 2 | GASKET |
| 12 | 1441308X1 | | | 2 | BOLT |
| 13 | 3535619M1 | | | 1 | LEVER |
| 14 | 3531805M3 | ● | 3531805M6 (1) | 1 | COVER |
| 15 | 973267M2 | | | 1 | CLEVIS PIN |
| 16 | 3530683M91 | ● | 3530683M92 (1) | 1 | CAP |
| 17 | 3535622M1 | | | 1 | SPRING |
| 18 | 1824691M1 | | | 2 | SEAT |
| 19 | 390244X1 | | | 1 | ROLL PIN |
| 21 | 3535615M1 | ● | 3535615M2 (1) | 1 | ROD |
| 23 | 3534449M92 | | | 1 | GRIP |

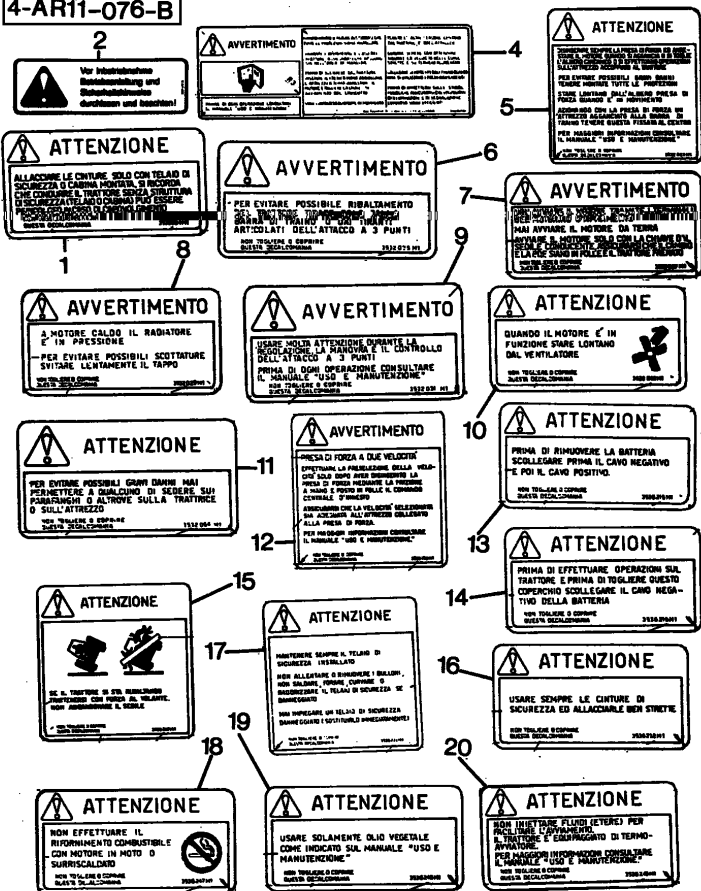
ACCESSORIES AND APPLICATION MISCELLANEOUS

DECALS

Frutteti 560 F 6060F



4-AR11-076-B



7	3536829M1	⊕	B	1	DECAL
7	3537751M1	●	N.L.A. (1) I	1	DECAL
8	3532029M1	⊕		1	DECAL
8	3532030M1	⊕	⊕	1	DECAL
8	3536822M1	⊕	A	1	DECAL
8	3537752M1	⊕	B I	1	DECAL
9	3532031M1	⊕		1	DECAL
9	3532032M1	●	N.L.S. (1) ⊕	1	DECAL
9	3536835M1	⊕	A	1	DECAL
9	3537753M1	⊕	B I	1	DECAL
10	3532062M1	⊕		1	DECAL
10	3532063M1	●	3559552M95 (1) ⊕	1	DECAL
10	3536821M1	⊕	A	1	DECAL
10	3537754M1	●	B I 4203959M91 (1)	1	DECAL
11	3532064M1	●	3559552M95 (1) ⊕	1	DECAL
11	3532065M1	⊕	⊕	1	DECAL
11	3536832M1	⊕	A B	1	DECAL

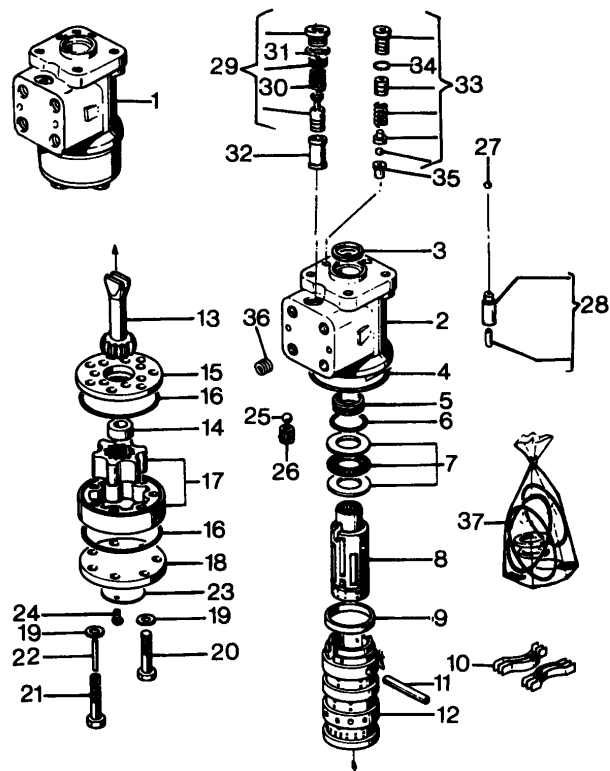
ACCESSORIES AND APPLICATION MISCELLANEOUS

Frutteti 560 F 6060F



STEERING DISTRIBUTOR "ORBITROL"

4-AN05-017-A



28	1897608M91	!	1		2	ROLL PIN
29	1897640M91	!	1		1	KIT
30	1897430M1	●	N.L.A. (1)		1	SPRING
		!	29			
32		!	1		1	VALVE
		▣	REF.N.1			
33	1897432M91	!	1		2	PACKING
34	1897433M1	!	33		1	GASKET
35		!	1		2	VALVE
		▣	REF.N.1			
36		!	1		1	VALVE
		▣	REF.N.1			
37	1810503M92	●	3540570M91 (999)	999	PACKING	
!	THIS IS A COMPONENT OF AN ASSEMBLY					
◇	SEE PAGE - REFERENCE NUMBER					
▣	NOT SERVICED, ORDER					
A	INCLUDED IN KIT 1810503M92					

CLICK HERE TO **DOWNLOAD** THE COMPLETE MANUAL

- Thank you very much for reading the preview of the manual.
- You can download the complete manual from: www.heydownloads.com by clicking the link below



- Please note: If there is no response to CLICKING the link, please download this PDF first and then click on it.

CLICK HERE TO **DOWNLOAD** THE COMPLETE MANUAL

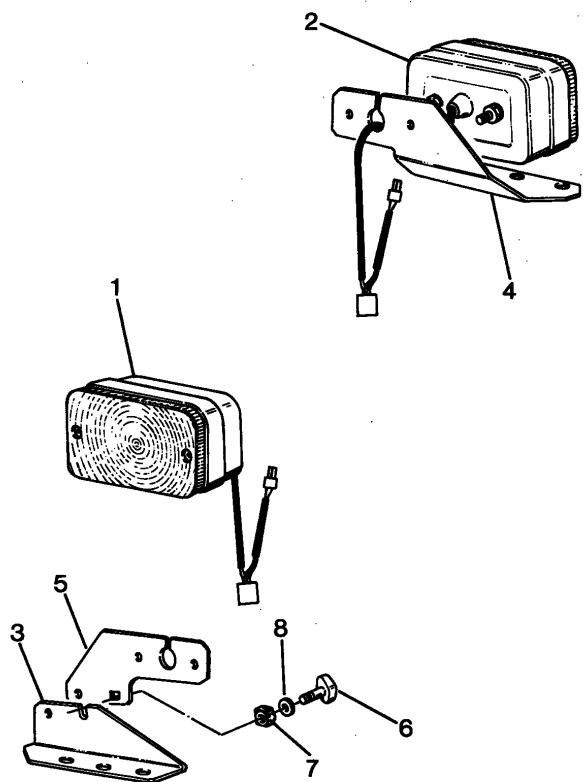
ACCESSORIES AND APPLICATION MISCELLANEOUS

Frutteti 560 F 6060F



LIGHTING EQUIPMENT

4-AW01-042-A



1	3539779M91	A	2	LIGHT
		A		
		A		
		B		
2	3539835M91	A	2	LIGHT
		A		
		A		
		A		
		A		
3	3538216M2	◀	1	SUPPORT
		A		
		B		
3	3538217M2	▶	1	SUPPORT
		A		
		B		
4	3538214M2	◀	1	SUPPORT
		A		
		A		
4	3538215M2	▶	1	SUPPORT
		A		
		A		
5	3538220M2	◀	1	PLATE
		A		
5	3538221M2	▶	1	PLATE
		A		
6	3538265M91	●	2	KNOB
		A		
		A		
7	3538498M91	A	2	NUT
8	391038X1	A	2	WASHER
A		REAR		
A		WITH STANDARD CAB FROM SERIAL S 14037		
A		COBO TYPE		
A		WITH CAB		
B		FRONT		
◀		LEFT HAND		
▶		RIGHT HAND		

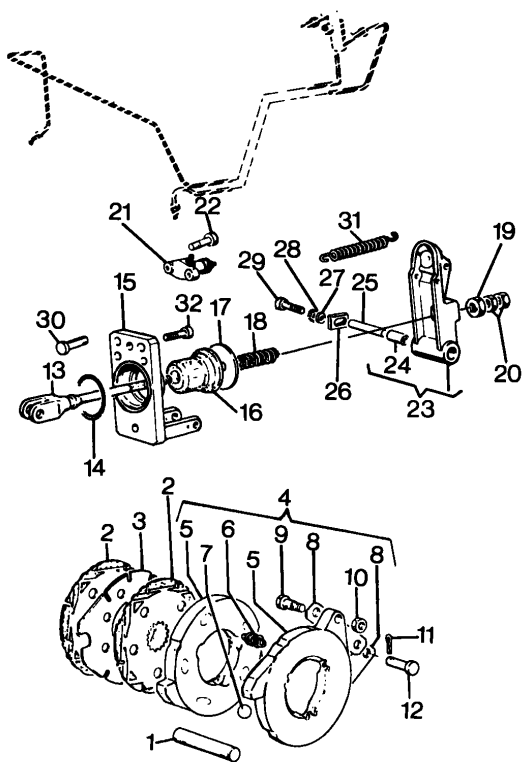
ACCESSORIES AND APPLICATION MISCELLANEOUS

Frutteti 560 F 6060F



BRAKES AND CONTROLS

4-AG36-011 -A



1	3304656M1		2	PIN
2	3308295M1	● 3550896M1 (6)	6	DISC
3	3308296M1	● 3308296M2 (2)	2	WASHER
4	3304634M91	● 3308792M91 (2)	2	BRAKE
		A		
4	3308792M91	B	2	BRAKE
5		!	4	DISC
		➤ REF.N.4		
		B		
5		!	4	DISC
		➤ REF.N.4		
		A		
6	1005510M1	● 1853148M1 (6)	6	SPRING
		!	4	
		A		
6	3310765M1	!	4	SPRING
		B		
7	16779X	!	4	BALL
		A		
7	3310764M1	!	4	BALL
		B		
8	1897397M1	!	4	DRAGLINK
		A		
8	3310768M1	● 1897397M1 (4)	4	LEVER
		!	4	
		B		
9	1005512M2	!	4	SCREW
		A		
9	3310767M1	● 3679021M1 (4)	4	STUD
		!	4	
		B		
10	3310766M1	!	4	NUT UNF
		B		

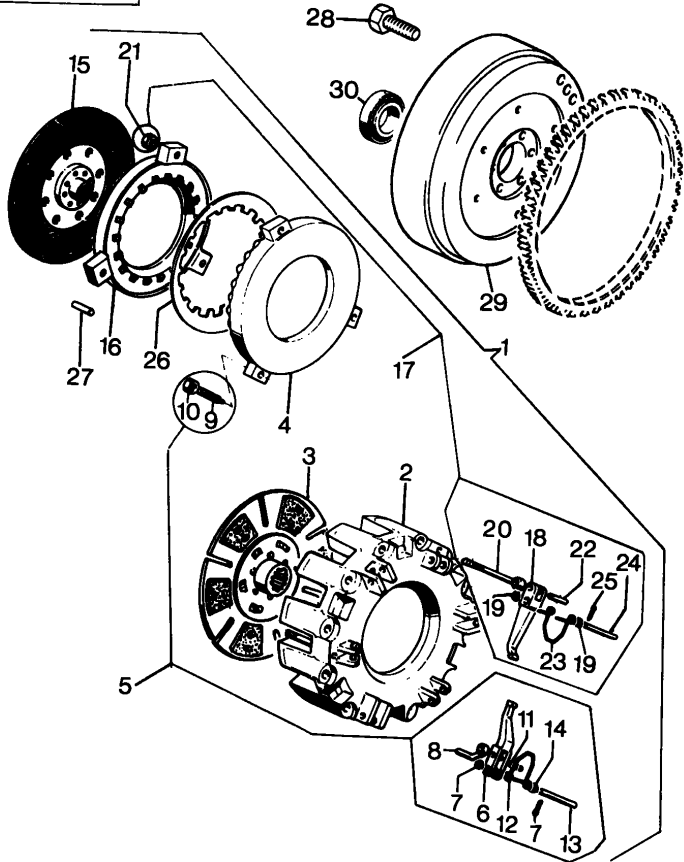
ACCESSORIES AND APPLICATION MISCELLANEOUS

Frutteti 560 F 6060F



CLUTCH- DUAL CLUTCH

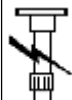
4-AD04-027-A



1	3300000M98	●	3300000M99 (1)	1	CLUTCH
		!	3303000M95		
2	3311395M1	●	3311396M1 (1)	1	BOX
		!	1		
3	3311538M91	●	3311538M92 (1)	1	DISC
		!	1		
		!	A		
4	3300646M2	●	3300645M2 (1)	1	TRAY
		!	1		
		!	A		
5	3311398M91	!	1	999	KIT
		!	A		
6	3300640M92	●	3311398M91 (3)	3	LEVER
		!	5		
7		!	5	6	BUSH
		!	REF.N.5		
8	3300641M1	!	5	3	STEM
9	3300657M1	!	5	3	SCREW
10	1442578X1	●	1441303X1 (3)	3	NUT
		!	5		
11	3300642M1	!	5	3	CLEVIS PIN
12	3300643M1	!	5	3	SPRING
13	3300644M1	!	5	3	CLEVIS PIN
14	1440389X1	●	1441726X1 (3)	3	PIN
		!	5		
15	1424135M91	●	1424135M93 (1)	1	GUIDE
		!	1		
		!	D		
16	3300650M2	!	1	1	SUPPORT
		!	D		
17	3311539M91	!	1	999	KIT
		!	D		
18	3300648M91	●	3311539M91 (3)	3	LEVER
		!	17		

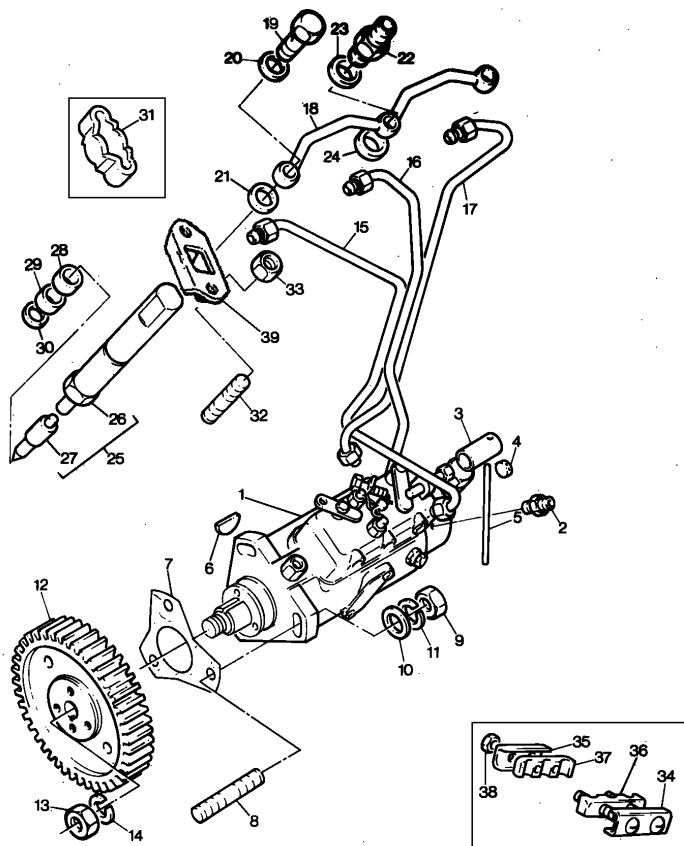
ACCESSORIES AND APPLICATION MISCELLANEOUS

Frutteti 560 F 6060F



FUEL INJECTION EQUIPMENT (DIESEL)

C-0587-24M-B



- | | | | | |
|----|----------|----------------|---|-----------|
| 1 | 2643B132 | | 1 | INJECTION |
| 2 | 28730179 | ● 4181V013 (1) | 1 | SOLENOID |
| | | 3161C012 (1) | | |
| | | 26420472 (1) | | |
| 3 | 2644951 | ● 3281M002 (1) | 1 | SLEEVE |
| 4 | 31718104 | | 1 | SEAL |
| 5 | 31718105 | | 1 | WIRE |
| 6 | 26430809 | | 1 | KEY |
| 7 | 33828108 | ● 3687H017 (1) | 1 | UNIVERSAL |
| 8 | 2217575 | | 3 | STUD |
| 9 | 0576002 | ● 353916X1 (3) | 3 | NUT |
| 10 | 0920003 | ● 390972X1 (3) | 3 | WASHER |
| 11 | 0920053 | | 3 | WASHER |
| 12 | 3116K072 | ▲ 50 | 1 | GEAR |
| | | A | | |
| 12 | 3116K081 | ▲ 50 | 1 | GEAR |
| | | B | | |
| 13 | 26431679 | | 1 | NUT |
| 14 | 26430506 | | 1 | WASHER |
| 15 | 3521E004 | ● 3521E022 (1) | 1 | PIPE |
| | | NO.1 CYL. | | |
| 16 | 3521E005 | ● 3521E023 (1) | 1 | PIPE |
| | | NO.2 CYL. | | |
| 17 | 3521E006 | ● 3521E024 (1) | 1 | PIPE |
| | | NO.3 CYL. | | |
| 18 | 3558X013 | | 1 | PIPE |
| 19 | 0095315 | | 2 | BOLT |
| 20 | 0921176 | ● 0920107 (2) | 2 | WASHER |

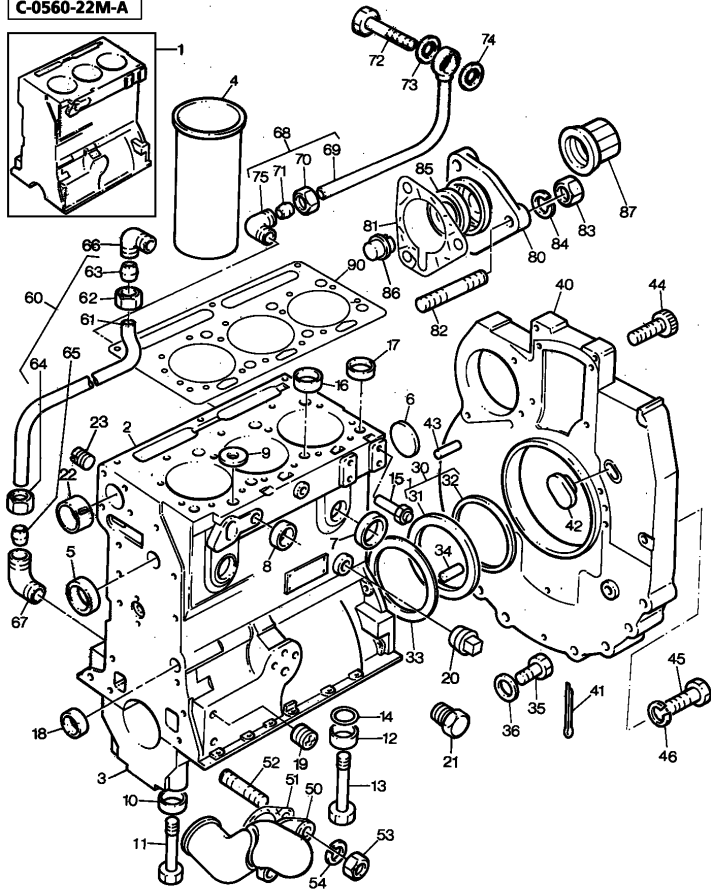
ACCESSORIES AND APPLICATION MISCELLANEOUS

Frutteti 560 F 6060F



CYLINDER BLOCK

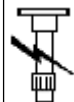
C-0560-22M-A



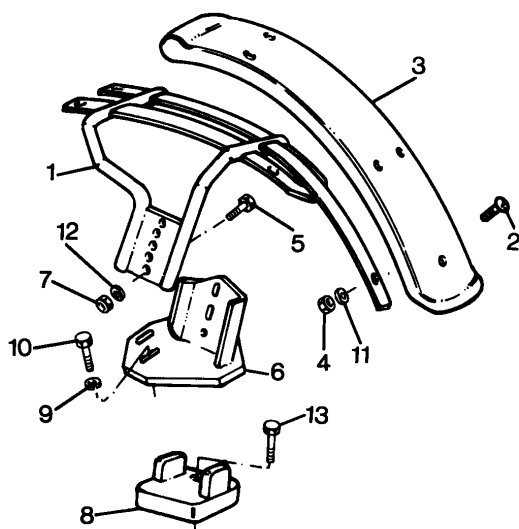
31	!	30	1	HOUSING	
	▶	REF.30			
32	2418F475	!	30	1	SEAL
33	33826111	●	33826115 (1)	1	UNIVERSAL
34	0350015			2	DOWEL
35	0746255	●	2183205 (9)	9	SETSCREW
36	0920003	●	390972X1 (9)	9	WASHER
40	37147975			1	PLATE
41	0610045			1	PIN
42	37813113			1	PLUG
43	0350016			2	DOWEL
44	0720798			2	SCREW
45	0746454			6	SETSCREW
46	0920054			6	WASHER
50	3765T011			1	CONNECTION
51	0490486	●	3686J003 (1)	1	UNIVERSAL
52	2217072			2	STUD
53	0576002	●	353916X1 (2)	2	NUT
54	0920053			2	WASHER
60	35352404			1	PIPE
61		!	60	1	PIPE
		▶	REF.60		
62	0576111	!	60	1	NUT
63	0566002	!	60	1	OLIVE
64	0576111	!	60	1	NUT
65	0566002	!	60	1	OLIVE
66	0201047			1	CONNECTION
67	0201047			1	CONNECTION
68	35568109			1	PIPE

ACCESSORIES AND APPLICATION MISCELLANEOUS

Frutteti 560 F 6060F



4-AS18_010-A



FRONT FENDERS

1	3307973M91	●	3548452M91 (1)	1	SUPPORT
		▲	B		
1	3307974M91	●	3548453M91 (1)	1	SUPPORT
		▼	B		
1	3307982M91	●	3548450M91 (1)	1	SUPPORT
		▲	A		
1	3307983M91	▶	A	1	SUPPORT
			A		
2	3001197X1			10	SCREW
3	3309145M1		B	2	FENDER
3	3309149M1		A	2	FENDER
4	392310X1			10	NUT BSF
5	391375X1			4	SCREW
6	3307993M91	▲		1	SUPPORT
6	3307994M91	▼		1	SUPPORT
7	339054X1	●	392294X1 (4)	4	NUT BSF
8	3309153M1	●	N.L.A. (2)	2	SPACER
9	385362X1			6	WASHER
10	3009493X1			6	SCREW
11	390734X1			10	WASHER
12	390735X1			4	WASHER
13	1441757X1			2	SCREW
A	FOR USE WITH 6.50-16;6.00-16;7.50-16;8.25-16;7.50--18;7.50-20;7.5L-15 TYRES,				
B	FOR USE WITH 9.5/9.20;10.5-18;10.5/80-18;29X12.5-15;250/80-16;250/80-18;260/80- R20;10X16.5;9.0/75-16,				
▲	LEFT HAND				
▼	RIGHT HAND				

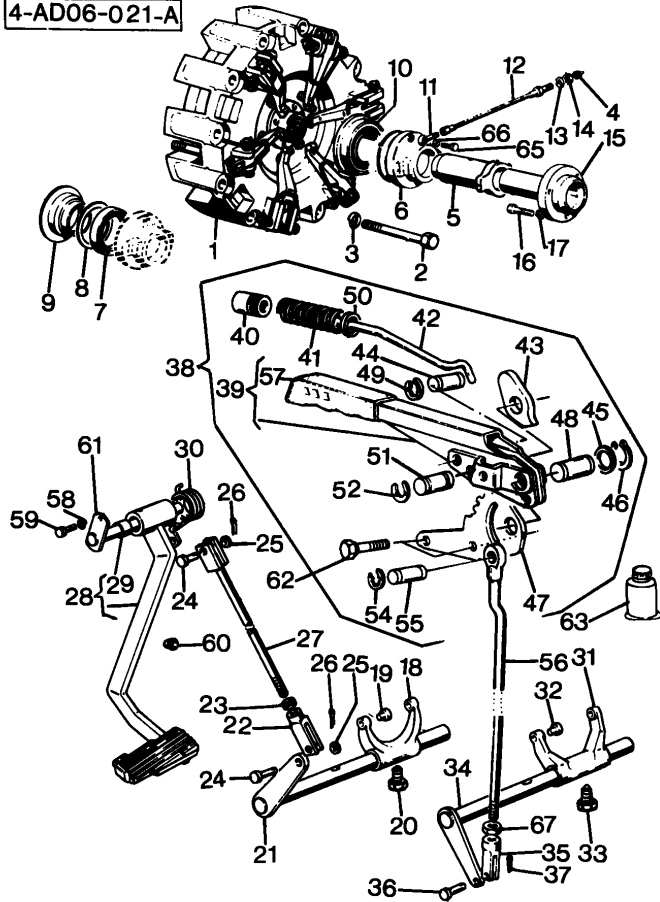
ACCESSORIES AND APPLICATION MISCELLANEOUS

Frutteti 560 F 6060F



CLUTCH PEDAL AND LINKAGE

4-AD06-021-A



58	391130X1	●	339375X1 (1)	1	WASHER
59	339560X1			1	SCREW
60	3300129M1			1	PLATE
61	3301422M91			1	CLEVIS PIN
62	3009493X1		M10X30	1	BOLT
62	390774X1	●	339299X1 (1) M12X30	1	SCREW
63	1427801M1	●	1427801M2 (999)	999	LOCTITE
65	394199X1			1	SCREW
66	3005043X1	●	391376X1 (2)	2	GASKET
67	1442577X1			1	NUT

! THIS IS A COMPONENT OF AN ASSEMBLY
 A FOR TRANSMISSION,
 A 11" CLUTCH,
 D FOR P.T.O.

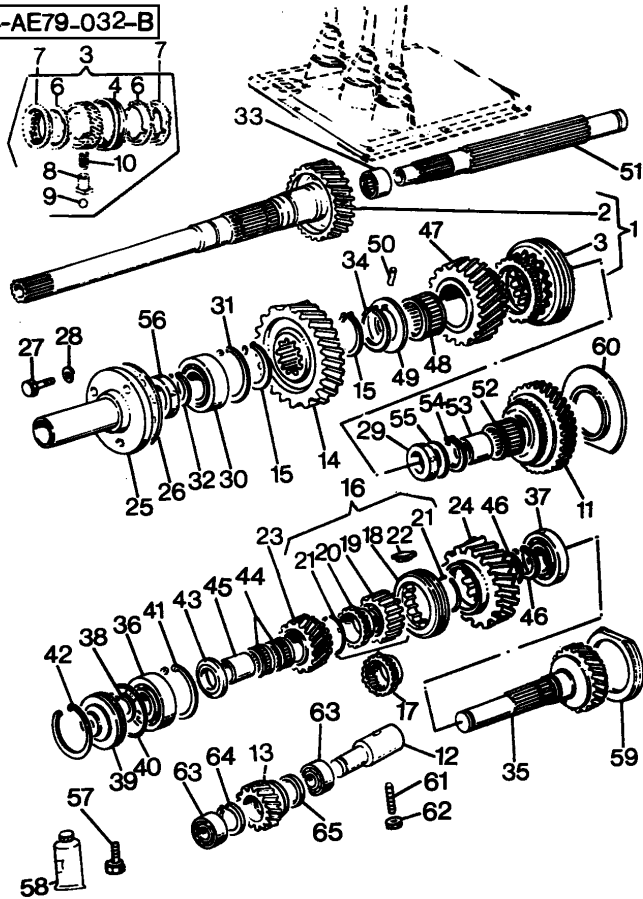
ACCESSORIES AND APPLICATION MISCELLANEOUS

Frutteti 560 F 6060F



REDUCER

4-AE79-032-B



1	3538467M92	●	3533888M1 (1) 3538468M92 (1)	1	SHAFT
2	3533888M1	!	1	1	SHAFT
3	3533971M92	●	3538468M92 (1)	1	SYNCHRO GEAR
		!	1		
		→	P25001		
3	3534860M91	●	3538468M92 (1)	1	SYNCHRO GEAR
		!	1		
		→	P25000		
4	3538584M1	●	3538468M92 (1)	1	SLEEVE
		!	3		
6		!	3	2	CROWNWHEEL
		→	R03017 REF.N.3		
6	3538531M1	!	3	2	CROWNWHEEL
		→	R03018		
7	3533977M1	→	P25000	2	RING
7	3534405M1	→	P25001	2	RING
8	3538529M1	!	3	3	SUPPORT
9	1444586X1	!	3	3	BALL
10	3533975M1	!	3	3	SPRING
11	3533978M1	■	37	1	GEAR
12	3530575M1			1	SHAFT
13	3531628M1	■	22	1	GEAR
14	3534343M1	■	55	1	GEAR
15	339470X1			2	CIRCLIP
16	3535785M91	●	3534574M91 (1)	1	KIT
17	3535786M1	!	16	1	CROWNWHEEL
18	3533959M1	!	16	1	SLEEVE
19	3533960M1	!	16	1	HUB
20	3536760M1	!	16	1	RING

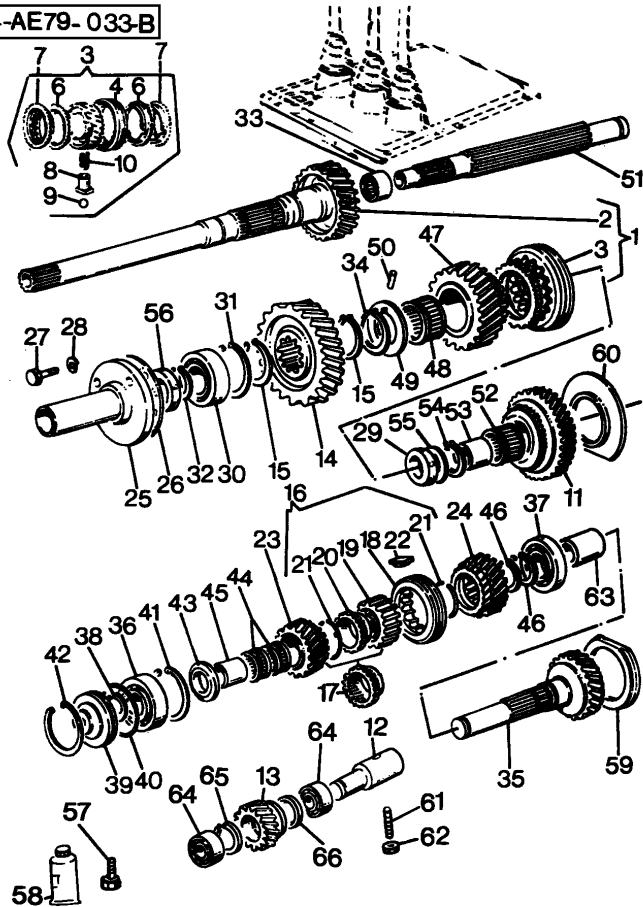
ACCESSORIES AND APPLICATION MISCELLANEOUS

Frutteti 560 F 6060F



REDUCER

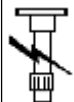
4-AE79-033-B



- | | | | | | |
|----|-----------|---|---------------|---|--------------|
| 22 | 3533962M1 | ! | 16 | 3 | SKATE |
| 23 | 3534568M1 | ● | N.L.S. (1) | 1 | GEAR |
| | | ▲ | 30 | | |
| 24 | 3534907M1 | ● | 3534907M2 (1) | 1 | GEAR |
| | | ▲ | 32 | | |
| 25 | 3305040M1 | ● | 3305040M4 (1) | 1 | SHAFT |
| 26 | 3305041M1 | ● | 3305041M2 (1) | 1 | UNIVERSAL |
| 27 | 339761X1 | | | 3 | SCREW |
| 28 | 339376X1 | ● | 1440314X1 (3) | 3 | LOCK WASHER |
| 29 | 975186M1 | ● | 1442903X1 (1) | 1 | GASKET |
| 30 | 339818X1 | | | 1 | BEARING |
| 31 | 339437X1 | | | 1 | CIRCLIP |
| 32 | 339820X1 | | | 1 | CIRCLIP |
| 33 | 3533946M1 | | | 1 | CAGE |
| 34 | 390232X1 | | | 1 | CIRCLIP |
| 35 | 3533954M1 | ● | 3305048M2 (1) | 1 | SHAFT |
| | | ▲ | 3544705M1 (1) | | |
| | | | 3544709M1 (1) | | |
| | | | 392771X1 (1) | | |
| | | | 26 | | |
| 36 | 339436X1 | | | 1 | BEARING BALL |
| 37 | 339818X1 | | | 1 | BEARING |
| 38 | 339469X1 | | | 1 | SEGMENT |
| 39 | 3305048M1 | ● | 3305048M2 (1) | 1 | COVER |
| 40 | 3305049M1 | | | 1 | O RING |
| 41 | 339437X1 | | | 1 | CIRCLIP |
| 42 | 1443524X1 | | | 1 | CIRCLIP |
| 43 | 3533955M1 | ● | 3533955M2 (1) | 1 | DISC |

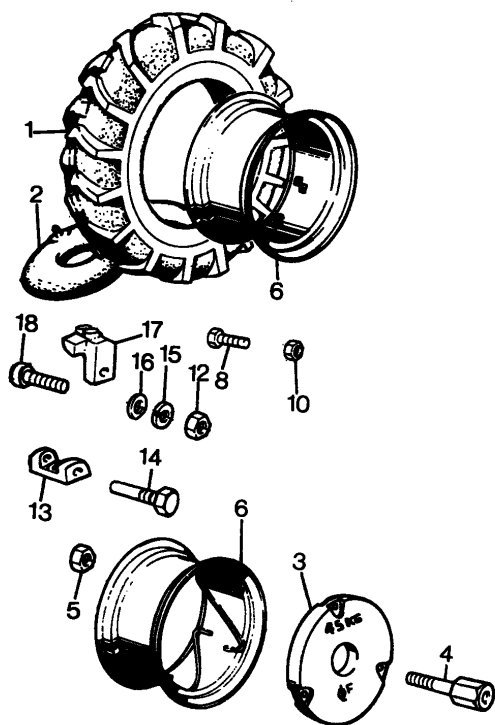
ACCESSORIES AND APPLICATION MISCELLANEOUS

Frutteti 560 F 6060F



REAR WHEELS

4-AM01-024-B

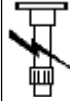


1	1424764M1	●	3535113M1 (2) A 6PR	2	TYRE AND TUBE
1	1424769M1	●	3535111M1 (2) B 6PR	2	TYRE AND TUBE
1	1434765M1	●	3535119M1 (2) M 6PR	2	TYRE
1	1434773M1	●	3535109M1 (2) D 6PR	2	TYRE
1	1434819M1	●	3535121M1 (2) D 6PR	2	TYRE
1	3531449M1		M O 6PR	2	TYRE
1	3532766M1) (⓪ L	2	TYRE
1	3536219M1) (⓪ G	2	TYRE
1	3538617M1		F	2	TYRE
1	974402M1	●	3535103M1 (2) F 6PR	2	UNION
2	1424430M91		B L	2	CHAMBER
2	1434497M91		D	2	CHAMBER
2	1434774M91		D	2	CHAMBER
2	1823733M91		A	2	CHAMBER
2	3531448M91		M O	2	CHAMBER

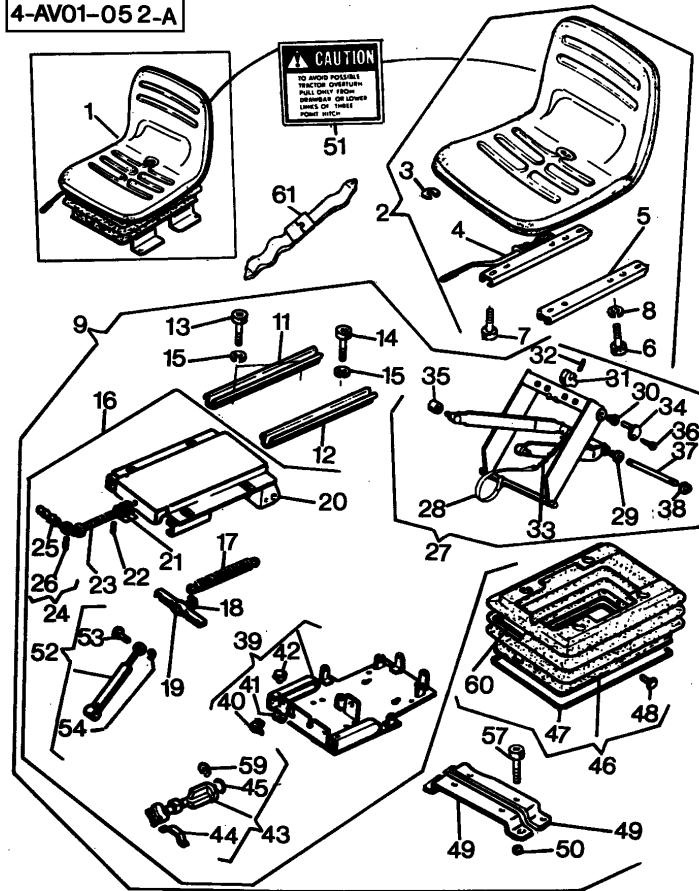
ACCESSORIES AND APPLICATION MISCELLANEOUS

SEAT- GRAMMER

Frutteti 560 F 6060F



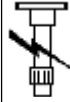
4-AV01-05 2-A



26	3103610M1	!	24	1	PIN
27	3105044M91	!	16	1	SUSPENSION
28	3105045M1	!	27	1	INDICATOR
29	3103596M1	!	27	2	BUSH
30	3105046M1	!	27	2	THIMBLE
31	3105047M1	●	3108170M91 (4)	4	HOLDER
		!	27		
32	1440796X1	!	27	4	DOWEL
33	1719932M1	!	27	1	SPRING
34	3105031M1	!	16	2	CLEVIS PIN
35	1719914M1	!	16	4	ROLLER
36	3000926X1	!	16	2	SCREW
37	3105032M1	!	16	1	SHAFT
38	391415X1	!	16	2	CIRCLIP
39	3105033M91	!	16	2	PLATE
40	1719891M1	!	39	1	GUIDE
41	1719903M1	!	39	1	ROLLER
42	3105034M1	!	39	2	DAMPER
43	3105035M91	!	16	1	ADJUSTER
44	3105036M1	!	43	1	SUPPORT
45	3105037M1	!	43	1	WASHER
46	3106001M1	!	9	1	BELLOWS
47	3106003M1	!	46	1	FRAME
48	1719896M1	!	46	6	PLUG
49	3106005M1	!	9	2	SUPPORT
50	339169X1	●	394367X1 (4)	4	NUT BSF
		!	49		
52	3105038M91	!	16	1	DAMPER
53	1719935M1	!	52	2	PIN
54	1442783X1	!	52	2	CIRCLIP
57	391148X1	!	49	4	SCREW
59	3101524M1	!	43	1	WASHER
60	3106002M1	!	46	1	FRAME
61	3543680M91			1	KIT

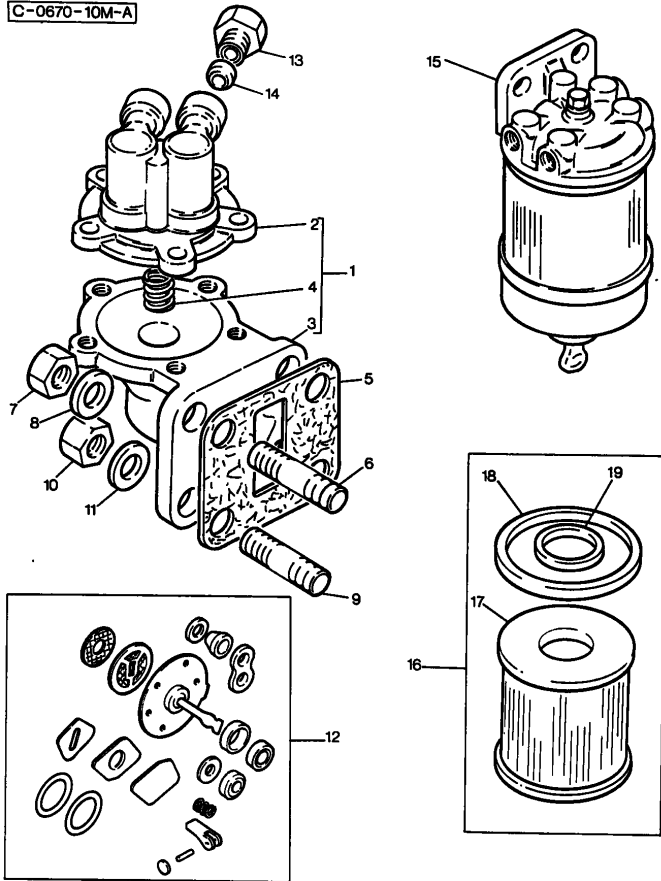
ACCESSORIES AND APPLICATION MISCELLANEOUS

Frutteti 560 F 6060F



LOW PRESSURE FUEL SYSTEM

C-0670-10M-A



1	2641808	●	ULPK0004 (1)	1	LIFT PUMP
		●	2641712		
2		!	1	1	BODY
		▢	REF.1		
3		!	1	1	BODY
		▢	REF.1		
4		!	1	1	SPRING
		▢	REF.1		
5	36851113	●	3685R007 (1)	1	UNIVERSAL
6	2217101	➔	13/12/89	2	STUD
7	33221115	➔	13/12/89	2	NUT
8	33114412	➔	13/12/89	2	WASHER
9	2217139	➔	13/12/89	2	STUD
10	33221115	➔	13/12/89	2	NUT
11	33114412	➔	13/12/89	2	WASHER
12	26410087	●	ULPR0005 (999)	999	KIT,REPAIR
			A		
12	26412003	●	ULPR0011 (999)	999	KIT,REPAIR
			B		
13	33532129			1	NUT
14	0566004			1	OLIVE
15	2656615			1	FUEL FILTER
16	3405418M1	●	26561117 (999)	999	ELEMENT
17		!	16	1	ELEMENT
		▢	REF.16		
18	0490786	!	16	2	UNIVERSAL
19	26560014	!	16	2	SEAL
20	2182429	➔	14/12/89	4	SCREW
21	36241316	➔	14/12/91	2	PLATE
22	2658207	➔	15/06/89	1	NON RETURN
23	0920154	➔	15/06/91	1	WASHER

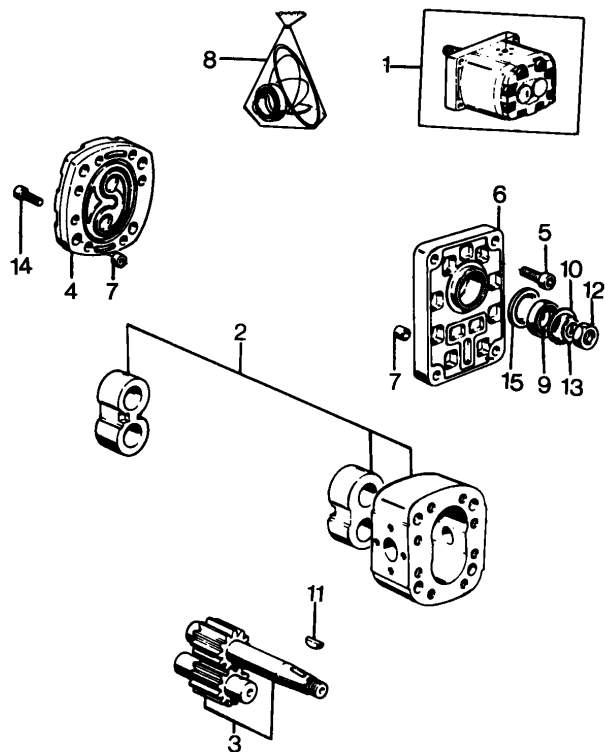
ACCESSORIES AND APPLICATION MISCELLANEOUS

Frutteti 560 F 6060F



STEERING - STEERING PUMP

4-AN07-009-A

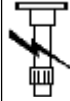


1	3531220M91	●	3539856M91 (1)	1	PUMP
		◁	74/20		
2	3310922M91	!	1	999	KIT
3	3310923M91	!	1	1	KIT
4	1429567M1	!	1	1	COVER
5	1441531X1	!	1	8	SCREW
6		!	1	1	COVER
		▣	REF.N.1		
7	3302051M1	!	1	4	DOWEL
8	1493867M91	●	3540159M91 (999)	999	KIT SEAL
		!	1		
9	1421318M1	!	8	1	SEAL
10	339361X1	!	1	1	CIRCLIP
11	1440360X1	!	1	1	KEY DOOR
12	1442576X1	!	1	1	NUT BSF
13	1440360X1	!	1	1	KEY DOOR
14	390796X1	!	1	8	SCREW
15	3302052M1	●	N.L.A. (1)	1	RING
		!	1		

! THIS IS A COMPONENT OF AN ASSEMBLY
 ◁ SEE PAGE - REFERENCE NUMBER
 ▣ NOT SERVICED, ORDER

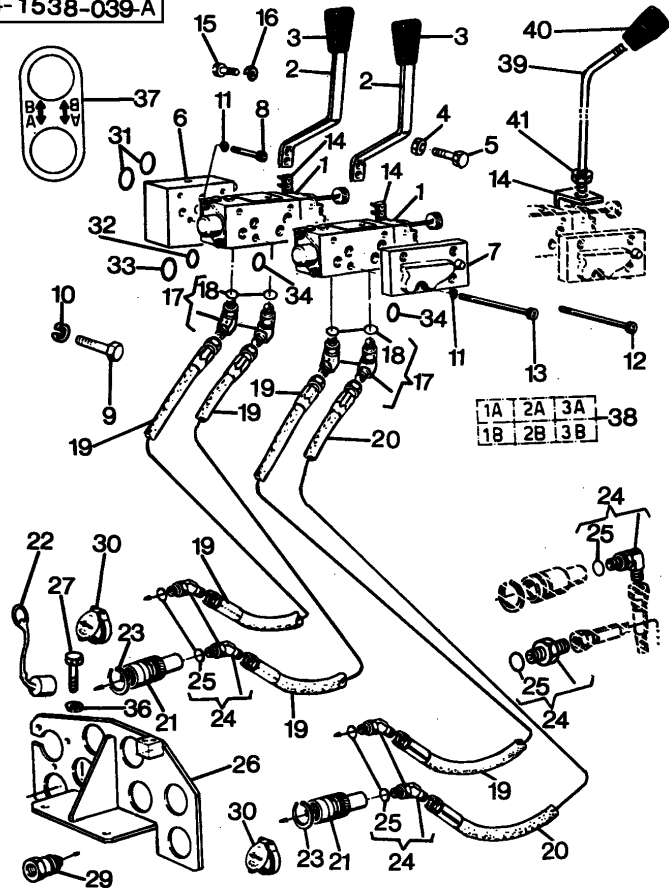
ACCESSORIES AND APPLICATION MISCELLANEOUS

Frutteti 560 F 6060F



PIPING AUXILIARY VALVE

4- 1538-039-A



- | | | | |
|----|-----------------------------|---|-------------|
| 1 | ◇ 97/1 | 2 | DISTRIBUTOR |
| | ◇ 98/1 | | |
| 2 | 3531724M91 A | 2 | LEVER |
| 3 | ! 2 | 2 | GRIP |
| | ▣ REF.N.2 | | |
| 4 | 392308X1 A | 4 | NUT |
| 5 | 3001271X1 A | 4 | SCREW |
| 6 | 3531613M92 | 1 | PLATE |
| 7 | 3531611M2 ● 1444744X1 (1) | 1 | PLATE |
| | ● 3000145X1 (1) | | |
| | ● 3550948M1 (1) | | |
| 8 | 339168X1 ◄ 50MM. | 2 | BOLT |
| 9 | 1443714X1 ◄ 20MM. | 1 | SCREW |
| 10 | 3005043X1 ● 391376X1 (1) | 1 | GASKET |
| 11 | 391037X1 | 6 | LOCK WASHER |
| 12 | 1442709X1 ◄ 150MM. | 1 | SCREW |
| | C | | |
| 13 | 3015017X1 ◄ 135MM. | 4 | SCREW |
| | B | | |
| 13 | 3015018X1 ◄ 180MM. | 4 | SCREW |
| | B | | |
| 13 | 3019909X1 ◄ 115MM. | 3 | SCREW |
| | C | | |
| 14 | 3531730M91 A | 2 | PLATE |
| 14 | 3532769M92 ● 3532769M93 (2) | 2 | BLOCK |
| | M | | |
| 15 | 3005776X1 | 2 | SCREW |
| 16 | 3006170X1 | 2 | WASHER |
| 17 | 3308703M93 ● 3308703M95 (4) | 4 | UNION |
| 18 | 1425358M2 | 4 | WASHER |
| 19 | 3302959M91 A | 3 | HYDR HOSE |

CLICK HERE TO **DOWNLOAD** THE COMPLETE MANUAL

- Thank you very much for reading the preview of the manual.
- You can download the complete manual from: www.heydownloads.com by clicking the link below



- Please note: If there is no response to CLICKING the link, please download this PDF first and then click on it.

CLICK HERE TO **DOWNLOAD** THE COMPLETE MANUAL