

ACCESSORIES MECHANICAL

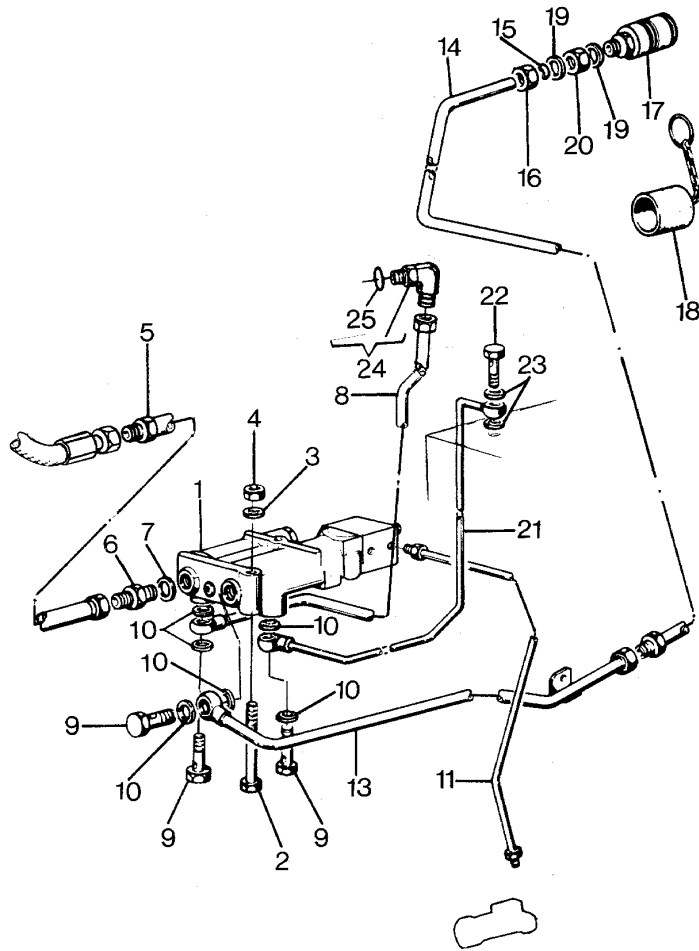
**X-48
01**

TRAILER BRAKES

Frutteti 560 L-V 5560L



X4801



- | | | | | |
|----|------------------------------------|------|---|-------------|
| 1 | 1676468M91 | | 1 | DISTRIBUTOR |
| 2 | 339368X1 | | 2 | SCREW |
| 3 | 390972X1 | | 2 | WASHER |
| 4 | 339169X1 | ● | 2 | NUT |
| 5 | 3533742M91 | A | 1 | PIPE |
| | | B | | |
| 6 | 3300561M1 | | 1 | UNION |
| 7 | 1441022X1 | | 1 | WASHER |
| 8 | 3308093M91 | | 1 | PIPE |
| 9 | 394202X1 | ● | 3 | UNION |
| 10 | 1440702X1 | | 6 | WASHER |
| 11 | 3533723M91 | | 1 | PIPE |
| 13 | 3533736M91 | | 1 | PIPE |
| 14 | 3308092M92 | | 1 | PIPE |
| 15 | 339994X1 | | 1 | RING |
| 16 | 1442333X1 | | 1 | NUT |
| 17 | 3532569M91 | ● | 1 | HITCH |
| | | ⊕ | | |
| | | ⊕ | | |
| | | ⊕ | | |
| 17 | 3581307M1 | ● | 1 | UNION |
| | | ⊕ | | |
| | | ⊕ | | |
| 18 | 908605M1 | | 1 | PLUG |
| 19 | 1662876M1 | | 2 | WASHER |
| 20 | 1442336X1 | | 1 | NUT |
| 21 | 3533735M91 | ● | 1 | PIPE |
| | | ● | | |
| 22 | 3308615M1 | | 1 | UNIVERSAL |
| 23 | 734414M1 | ● | 2 | GASKET |
| | | ● | | |
| 24 | 3307627M93 | 90[| 1 | UNION |
| 25 | 851134M1 | ! 24 | 1 | RING |
| ! | THIS IS A COMPONENT OF AN ASSEMBLY | | | |
| ⊕ | ALTERNATIVE | | | |
| A | STANDARD FLOW PUMP | | | |
| B | FOR TANDEM PUMP | | | |

CLICK HERE TO **DOWNLOAD** THE COMPLETE MANUAL

- Thank you very much for reading the preview of the manual.
- You can download the complete manual from: www.heydownloads.com by clicking the link below



- Please note: If there is no response to CLICKING the link, please download this PDF first and then click on it.

CLICK HERE TO **DOWNLOAD** THE COMPLETE MANUAL

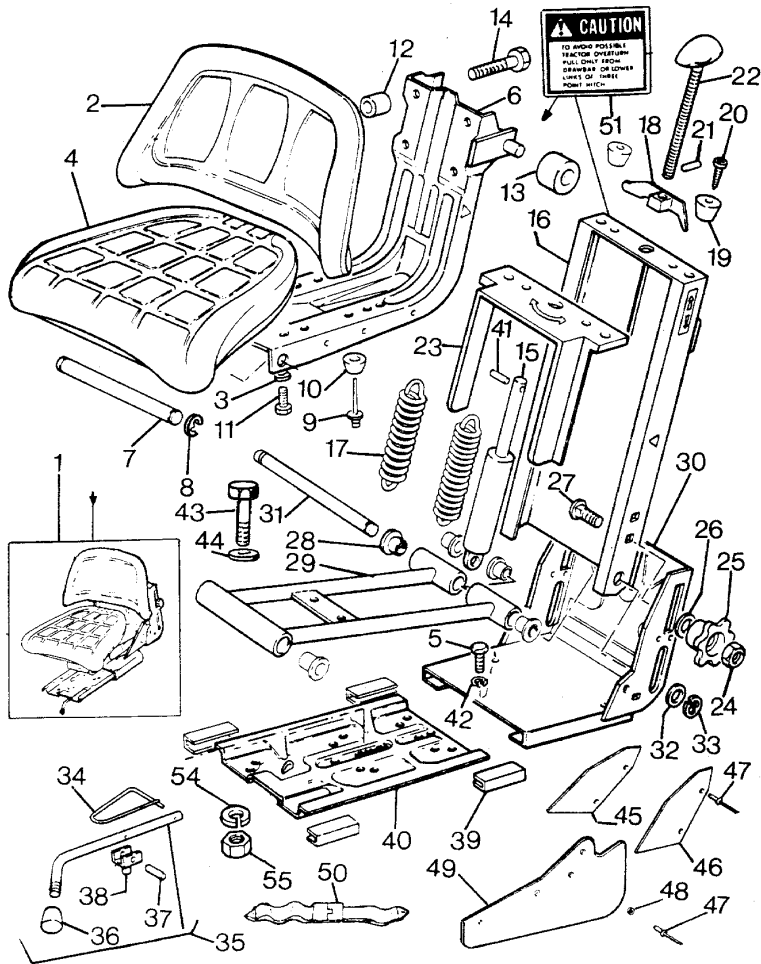
TRACTOR CAB

U-47
03

SEAT

Frutteti 560 L-V 5560L

U4703



31	3102131M1	!	1		1	PIN
32	390735X1	!	1		2	WASHER
33	391415X1	!	1		2	RING
34	3102387M1	!	1		1	SPRING
35	3102400M91	●	1	3102139M1 (1)	1	LEVER
		!		338334X1 (1)		
				3102400M92 (1)		
				1		
36	3102139M1	!	35		1	KNOB
37	338334X1	!	35		1	RETAINER
38	3102141M1	!	1		1	PROFILE
39	3102136M1	!	1		4	PROFILE
40	3104994M1	!	1		1	PLATE
41	3009052X1	!	1		2	RIVET
42	339374X1	!	1		1	LOCK WASHER
43	339123X1	A			4	SCREW
44	1440921X1	A			4	WASHER
45	3104371M1	!	1		1	COVER
46	3104372M1	!	1		1	COVER
47	3103289M1	!	1		10	RIVET
48	3001852X1	!	1		10	WASHER
49	3104368M1	!	1		2	PLATE
50	3543680M91				1	KIT
51	3532026M2	●	1	3558702M96 (1)	1	DECAL
		!				
		⊕				
		⊗				

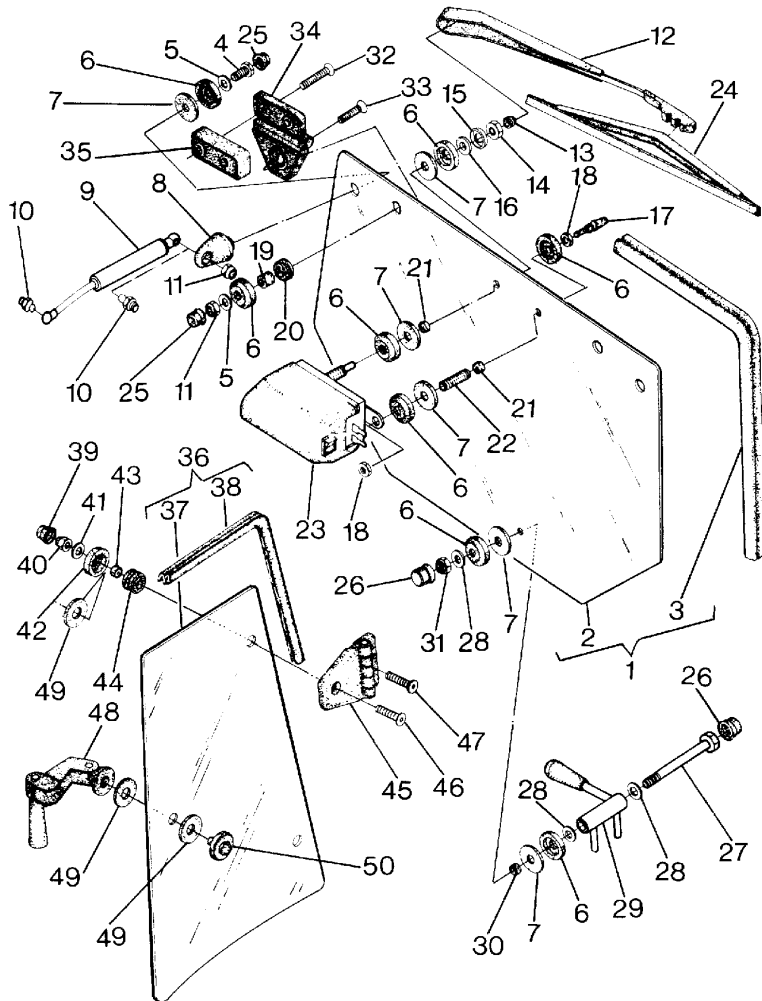
TRACTOR CAB

U-47
08

TRACTOR CAB

Frutteti 560 L-V 5560L

U4708



1	3311783M91	Y	1	GLASS
2		!	1	GLASS
		➔	REF.N.1	
3	3311930M1	!	1	GASKET
			CM.280	
4		C	2	SCREW
5		C	4	WASHER
6	3311772M1		10	RING
7	3311773M1		7	LOCK WASHER
8	3540000M1		2	HITCH
9	3311782M91		2	DAMPER
10		C	4	TOGGLE
11		C	4	NUT
12	3311777M91	➔	5946	1 ARM
			C	
12	3540019M91	●	3547896M91 (1)	1 ARM
		➔	5947	
			C	
13	3311938M1	●	3552562M1 (1)	1 CAP
14	3311941M1		1	NUT
15	3311939M1		1	WASHER
16	3311940M1		1	RING
17		C	1	SPLASHER
18	3540135M1		2	NUT
19	3540136M1		2	RING
20		C	2	RING
21		C	2	RING
22		C	1	PIPE
23	3311910M91	●	3540018M91 (1)	1 STARTERMOTO
		➔	3547896M91 (1)	R
			5946	
			C	
23	3540018M91	➔	5947	1 STARTERMOTO
			C	R

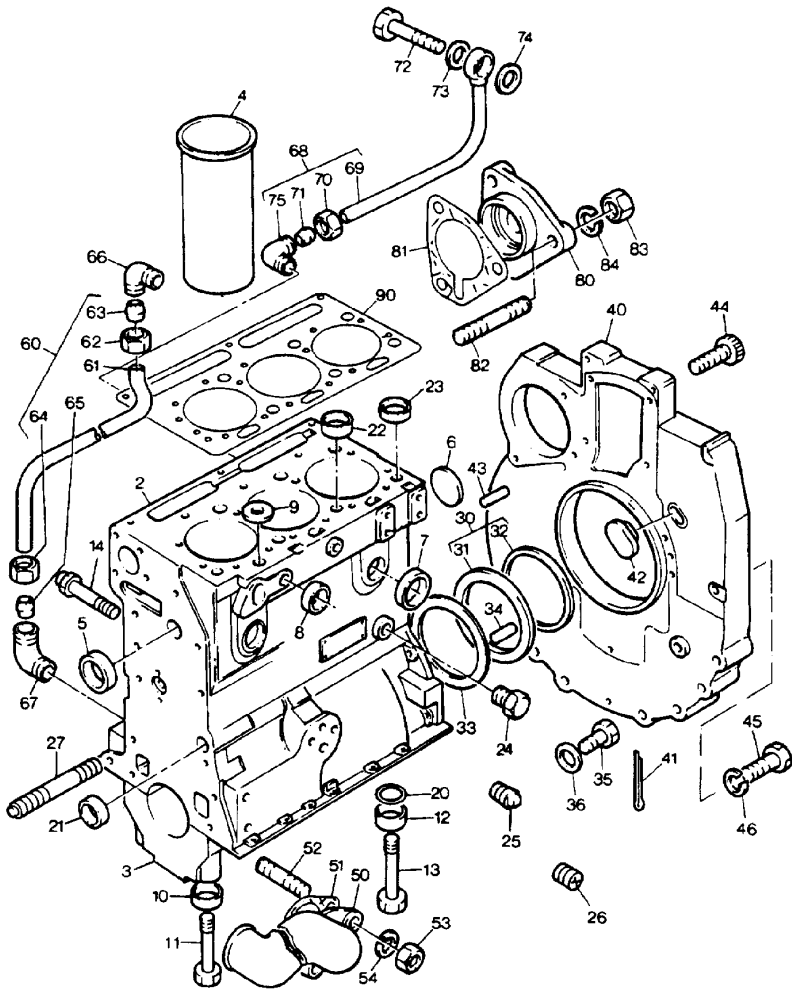
ENGINE

A-05
03

CYLINDER BLOCK

Frutteti 560 L-V 5560L

A0503



1	ZZ 50172	●	ZZ 50206 (1)	1	CYLINDER B
		●	ZZ50119		
4	31358356	!	1	3	LINER
			A		
4	31358358	↓	1	999	LINER
		◆	(+0.76MM		
		◆	(+0.030		
5	0650710	!	1	1	PLUG
6	0650692	!	1	1	PLUG
		●	0650664		
7	0650710	!	1	4	PLUG
		●	0650563		
8	32417163	!	1	2	PLUG
		●	32417115		
9	33141124	!	1	1	PLUG
10	33137408	!	1	6	BUSH
11	32181441	!	1	6	SCREW
12	33137408	!	1	2	BUSH
13	32181442	!	1	2	SCREW
14	2485A204	!	1	1	PLUG
20	2415608			2	RING
21	0650566			2	PLUG
22	33157142			2	PLUG
23	33157143			2	PLUG
24	32161114			1	PLUG
25	0650594			1	PLUG
26	32114472			2	PLUG
27	32537404			1	STUD
30	4142V002			1	RING
32	2418F475	!	30	1	SEAL
33	33826111	●	33826115 (1)	1	GASKET
34	0350015			2	PIN
35	0746255	●	2183205 (9)	9	SCREW

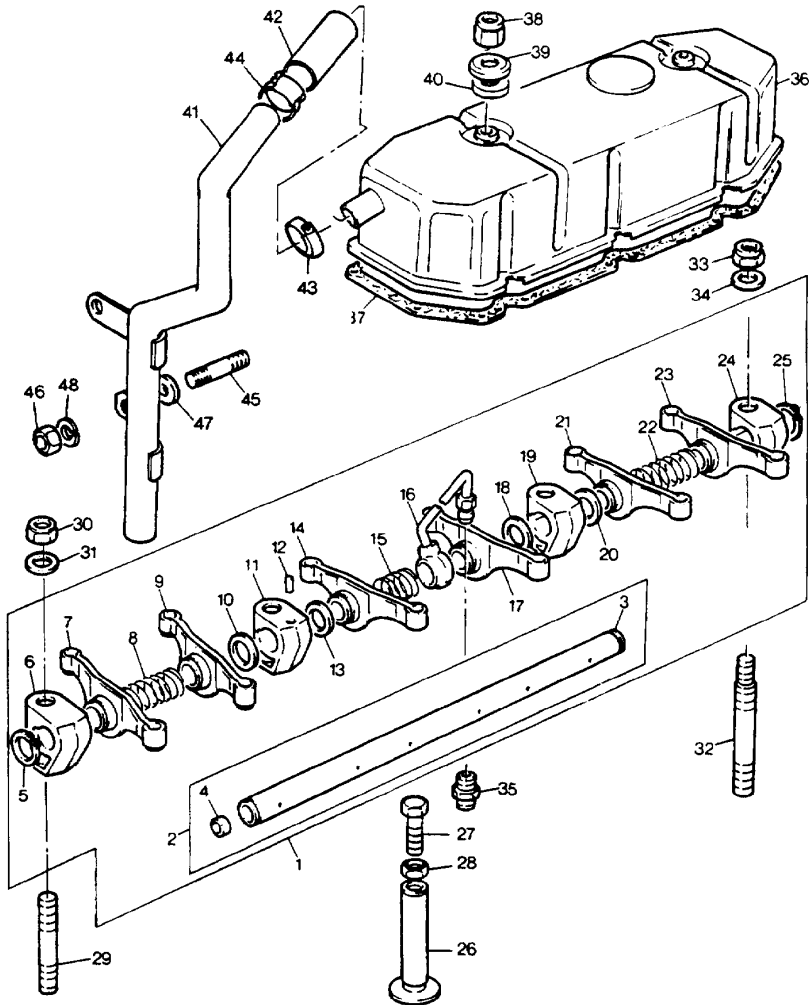
ENGINE

A-05
06

ROCKER SHAFT

Frutteti 560 L-V 5560L

A0506



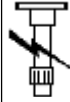
- | | | | | | |
|------------------------------------|----------|---|--------------|---|--------|
| 44 | 21825195 | ● | 2481863 | 1 | CLAMP |
| 45 | 2217602 | | | 1 | SCREW |
| 46 | 0576002 | ● | 353916X1 (1) | 1 | NUT |
| 47 | 0920460 | | | 1 | WASHER |
| 48 | 0920053 | | | 1 | WASHER |
| ! | | | | | |
| THIS IS A COMPONENT OF AN ASSEMBLY | | | | | |
| ● | | | | | |
| REPAIRS AND REPLACES | | | | | |
| ▲ | | | | | |
| LEFT HAND | | | | | |
| ▼ | | | | | |
| RIGHT HAND | | | | | |

ENGINE

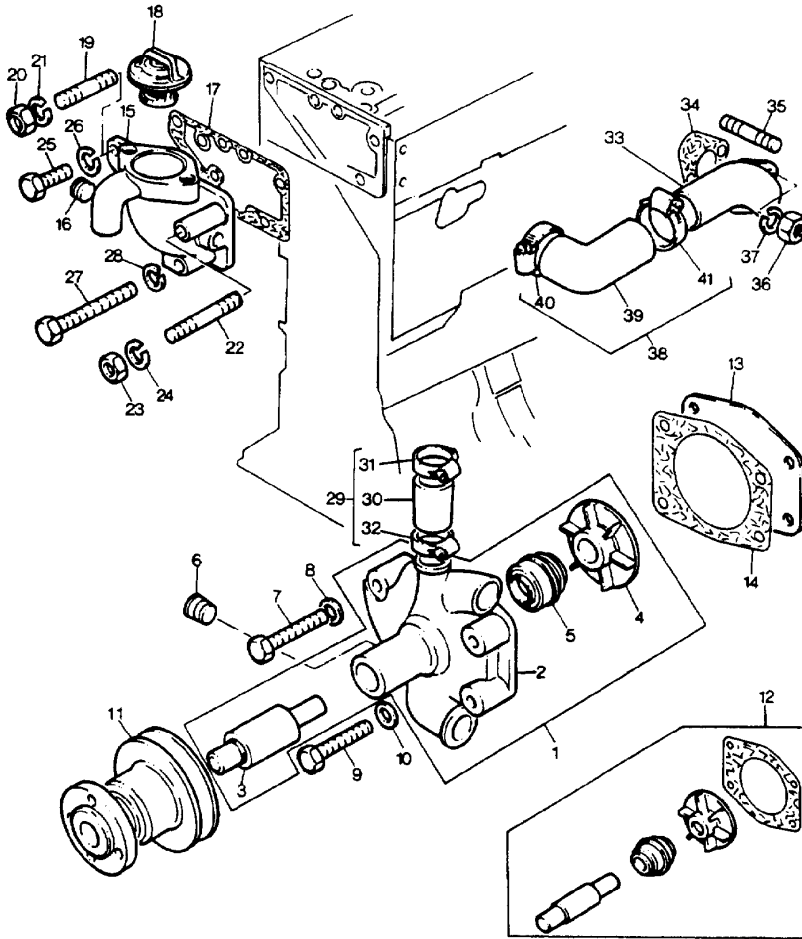
A-05
11

WATER PUMP, THERMOSTAT AND HEAT EXCHANGER

Frutteti 560 L-V 5560L



A0511



1	U5MW0023	●	U5MW0097 (1)	1	PUMP
6	2431A054	●	0650586 (1)	1	PLUG
7	0748419			3	SCREW
8	2411152			3	WASHER
9	2232133			1	SCREW
10	2411152			1	WASHER
11	31145741			1	PULLEY
12	U7LW0044	●	U7LW0105 (999)	999	KIT
		●	89019		
13	3623H004			1	PLATE
14	0490484	●	36862604 (1)	1	GASKET
			A		
29	U5MH0006			1	HOSE
31	21825197	!	29	1	CLIP
		●	0180066		
32	21825197	!	29	1	CLIP
		●	0180066		
38	U5MH0001			1	KIT
40	21825198	!	38	1	CLAMP
		●	0180067		
41	21825198	!	38	1	CLAMP
		●	0180067		
!	THIS IS A COMPONENT OF AN ASSEMBLY				
●	REPAIRS AND REPLACES				
A	ALSO INCLUDED IN REPAIR KIT				

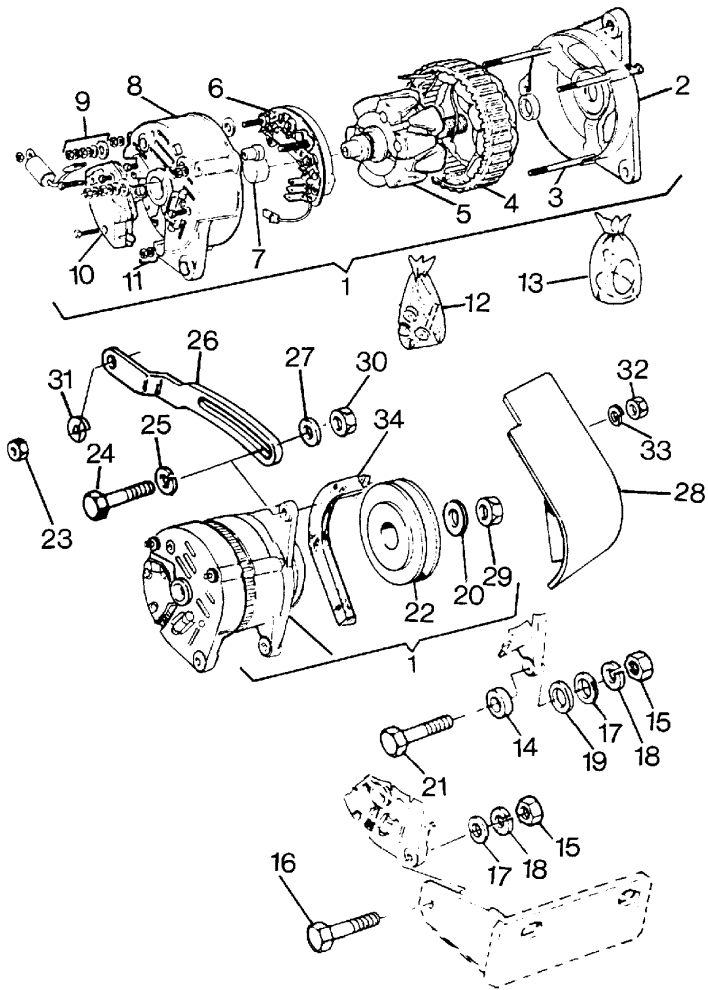
ENGINE ANCILLARY EQUIPMENT

C-32
04

ALTERNATOR

Frutteti 560 L-V 5560L

C3204



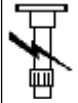
25	339374X1		1	LOCK WASHER
26	3530649M1		1	LEVER
27	339056X1		1	WASHER
28	3531980M91	● 3531980M92 (1)	1	GUARD
29		! 1	1	NUT
		➤ REF. N.13		
30	339169X1	● 394367X1 (1)	1	NUT
31	0920053		1	WASHER
32	339169X1	● 394367X1 (1)	1	NUT
33	339374X1		1	LOCK WASHER
34		! 1	1	BELT
		E		
!	THIS IS A COMPONENT OF AN ASSEMBLY			
➤	NOT SERVICED, ORDER			
E	SUPPLIED BY PERKINS (SEE ENGINE SECTION)			

ENGINE ANCILLARY EQUIPMENT

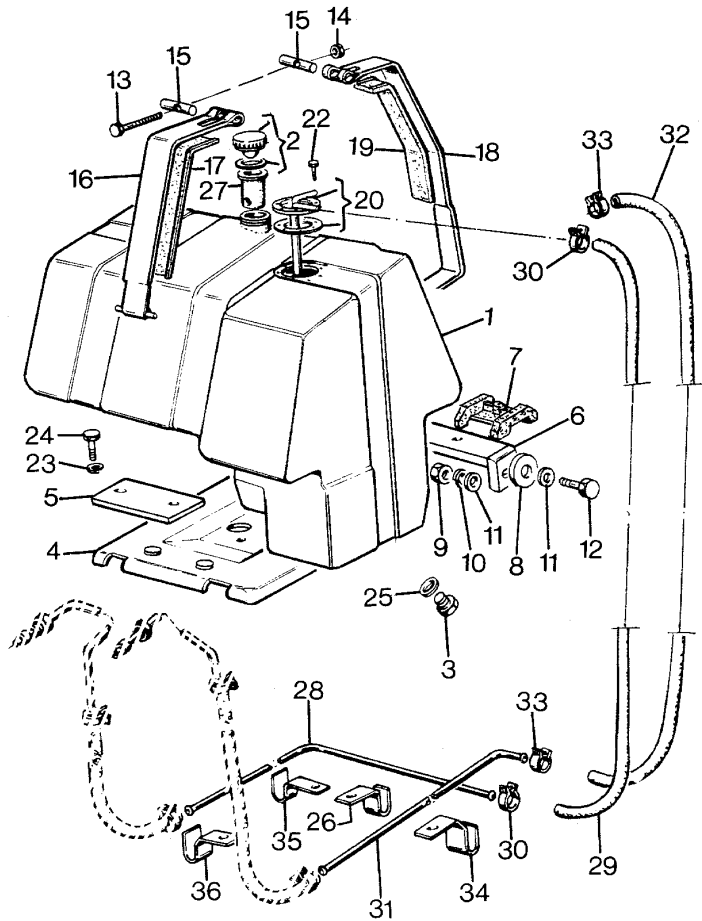
C-32
13

FUEL SYSTEM

Frutteti 560 L-V 5560L



C3213



- | | | | | |
|----|------------------------------------|-----------------|---|-------|
| 31 | 3537566M1 | | 1 | PIPE |
| 32 | 3308408M1 | ● 3533722M1 (1) | 1 | PIPE |
| 33 | 3307756M92 | ● 3557890M1 (2) | 2 | CLAMP |
| 34 | 3537547M1 | | 2 | CLAMP |
| 35 | 3303995M1 | | 1 | CLAMP |
| 36 | 3537583M1 | | 1 | CLAMP |
| ! | THIS IS A COMPONENT OF AN ASSEMBLY | | | |
| D | FRONT | | | |
| Y | REAR | | | |

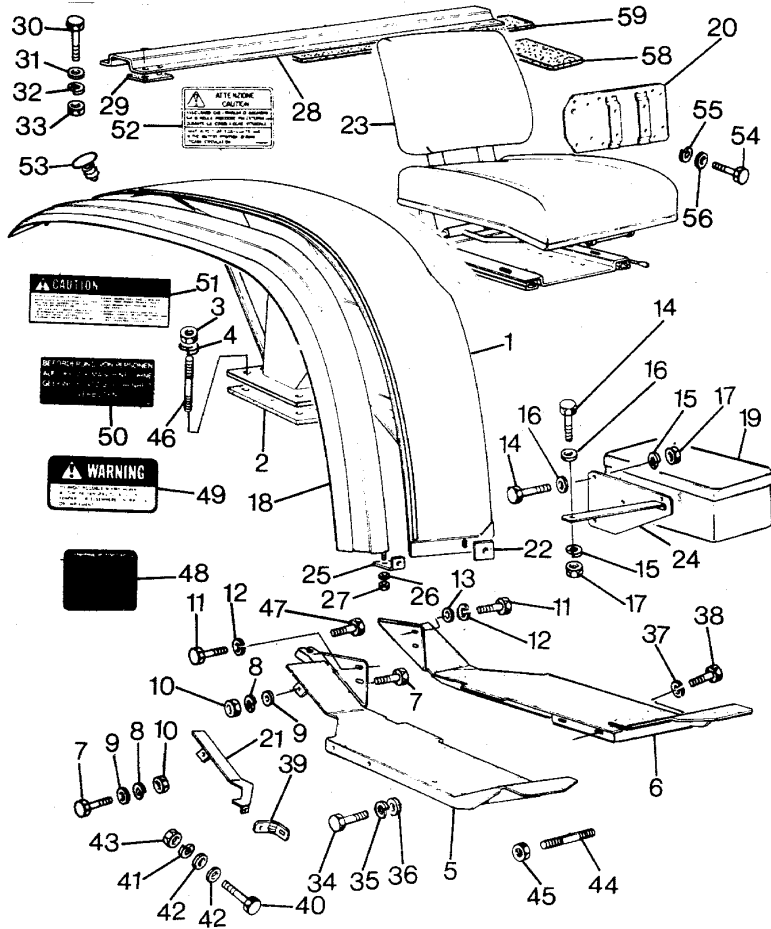
FENDERS FOOTSTEPS AND PLATFORM

S-22
03

FENDERS AND PLATFORM

Frutteti 560 L-V 5560L

S2203



1	3532338M92	◀		1	FENDER
			B		
			I		
1	3535810M91	●	3540953M91 (1)	1	FENDER
		▼			
			B		
			C		
1	3535855M91	●	N.L.A. (1)	1	FENDER
		▼			
			B		
			I		
1	3535881M91	●	3540952M91 (1)	1	FENDER
		▲			
			B		
			C		
1	3538139M91	●	N.L.A. (1)	1	FENDER
		▲			
			C		
1	3538143M91	▲		1	FENDER
			I		
1	3538151M91	●	N.L.A. (1)	1	FENDER
		▼			
			C		
1	3538155M91	▶		1	FENDER
			I		
2	3308925M1	●	N.L.A. (4)	4	SHIM
3	1440330X1			8	NUT
4	390735X1			8	WASHER
5	3531946M95	●	3531946M96 (1)	1	FLOOR
		▼			
6	3531662M94	●	3652297M92 (1)	1	FLOOR
		▲			
7	339123X1			4	SCREW

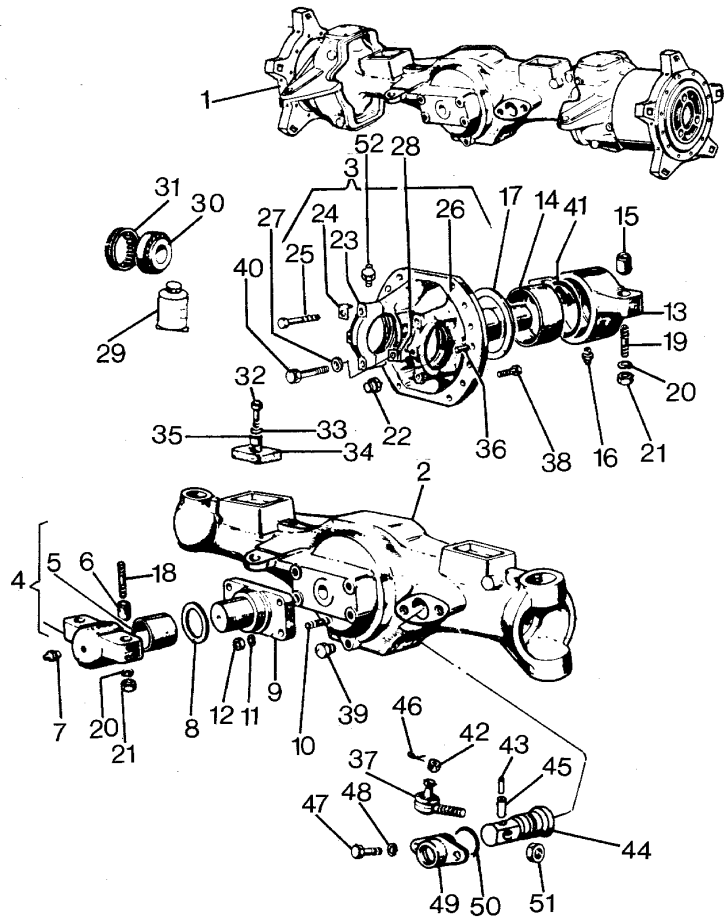
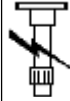
FRONT AXLE AND STEERING

J-09
03

FRONT AXLE 4 WHEEL DRIVE

Frutteti 560 L-V 5560L

J0903



- | | | | | |
|----|------------|---------------------|---|-------------|
| 1 | 3427732M91 | C | 1 | AXLE |
| 1 | 3427734M91 | ● N.L.A. (1)
B | 1 | AXLE |
| 2 | 3426661M3 | | 1 | BODY |
| 3 | 1824244M91 | | 1 | SUPPORT |
| 4 | 1824239M92 | D | 1 | SUPPORT |
| 5 | 1823570M2 | ! 4 | 1 | BUSH |
| 6 | 1823569M1 | | 2 | BUSH |
| 7 | 339608X1 | | 1 | GREASER |
| 8 | 1823571M1 | | 1 | DISC |
| 9 | 1823542M1 | D | 1 | HUB |
| 10 | 1440049X1 | | 4 | SCREW |
| 11 | 1440316X1 | | 4 | LOCK WASHER |
| 12 | 1440223X1 | ● 392416X1 (4) | 4 | NUT |
| 13 | 1424997M93 | Y | 1 | SUPPORT |
| 14 | 1424401M1 | ! 13 | 1 | BUSH |
| 15 | 1823569M1 | | 2 | BUSH |
| 16 | 339608X1 | | 1 | GREASER |
| 17 | 1823572M1 | | 1 | DISC |
| 18 | 394251X1 | | 2 | SCREW |
| 19 | 394252X1 | | 2 | SCREW |
| 20 | 1440317X1 | | 4 | LOCK WASHER |
| 21 | 392335X1 | | 4 | NUT |
| 22 | 392735X1 | | 2 | PLUG |
| 23 | 1823549M1 | ● N.L.S. (1)
! 2 | 1 | CAP |
| 24 | 1442553X1 | ! 2 | 4 | PLATE |
| 25 | 3426884M1 | ! 2 | 4 | SCREW |
| 26 | | ! 2
REF.N.2 | 1 | BOX |
| 27 | 339374X1 | | 2 | LOCK WASHER |
| 28 | 1823577M1 | | 2 | PLATE |
| 29 | 392735X1 | | 1 | PLUG |

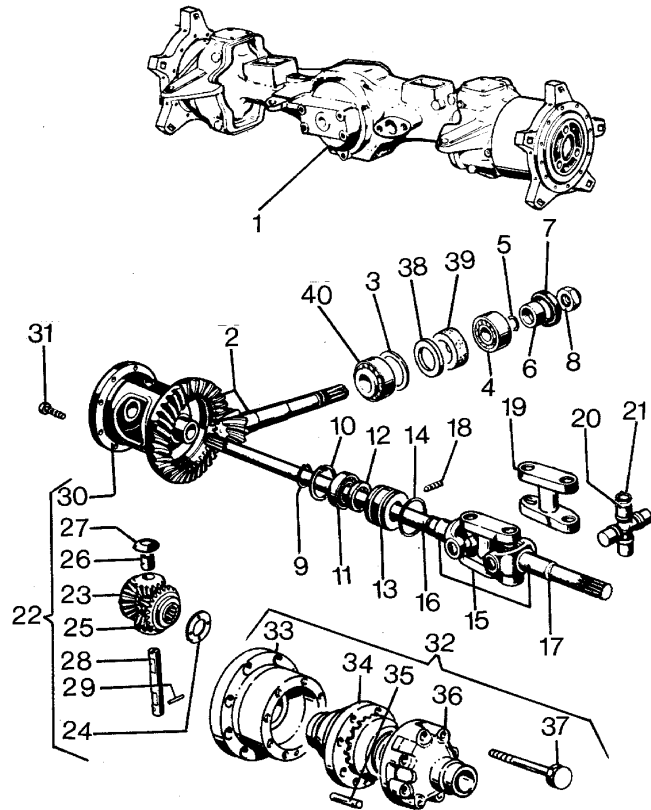
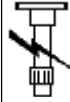
FRONT AXLE AND STEERING

J-09
07

FRONT AXLE 4 WHEEL DRIVE

Frutteti 560 L-V 5560L

J0907



17	!	15	2	SHAFT	
		C			
		C			
17	3310491M1	!	15	2	SHAFT
18	3000021X1			2	SCREW
19		!	15	2	YOKE
			C		
19	3310489M1	!	15	2	UNIVERSAL
20		!	15	4	CROSSPIECE
			C		
20	3310490M91	!	15	4	SPIDER
21	1423445M1	!	15	8	RING
22	1824241M93		B	1	BOX
23	1823554M1	!	22	2	GEAR
			B		
24	1823586M1	!	22	2	DISC
			B		
25	1823552M91	!	22	2	GEAR
			B		
26	973917M1	!	22	2	BUSH
			B		
27	1823587M1	!	22	2	DISC
			B		
28	1823589M2	!	22	1	PIN
			B		
29	339349X1	!	22	1	DOWEL
			B		
30	1823551M2	!	22	1	BOX
			B		
31	3426929M1			8	SCREW
32	3426071M93		B	1	KIT
33	3426072M3	!	32	1	HOUSING
			B		
34	3426074M92	!	32	1	DIFFERENTIAL
			B		

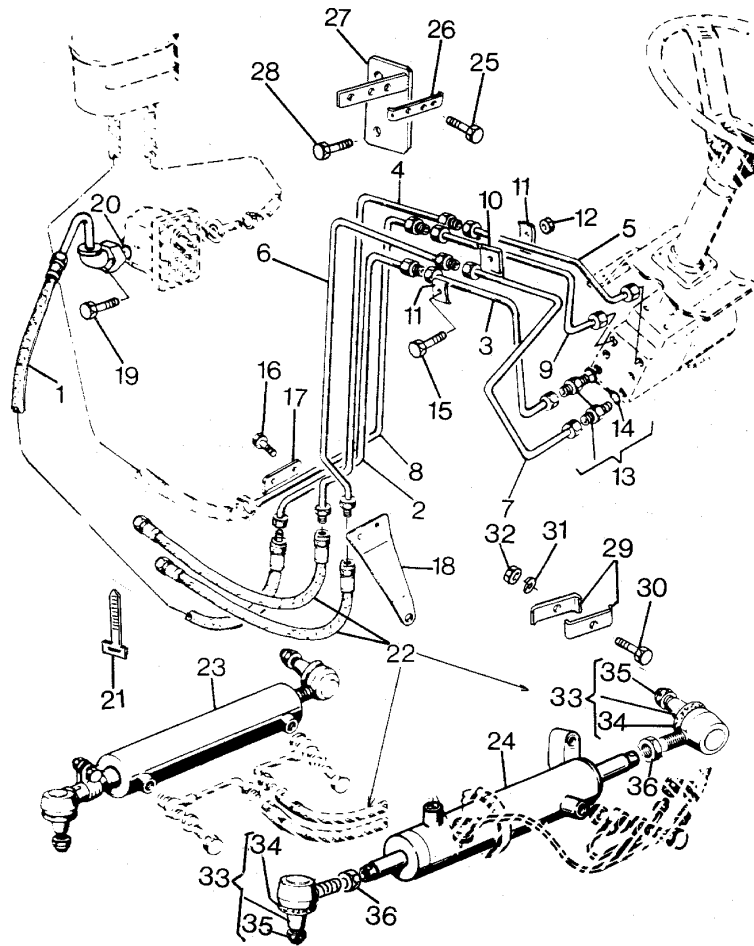
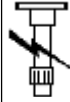
FRONT AXLE AND STEERING

J-09
11

STEERING HYDRAULIC LINES

Frutteti 560 L-V 5560L

J0911



- | | | | |
|----|----------------|---|-------------|
| 29 | 1424404M1 | 2 | SUPPORT |
| 30 | 339262X1 | 1 | SCREW |
| 31 | 339375X1 | 1 | LOCK WASHER |
| 32 | 1440085X1 | 1 | NUT |
| 33 | 1821234M91 | 2 | UNIVERSAL |
| 34 | 3310623M1 ! 33 | 2 | GROMMET |
| 35 | 393565X1 ! 33 | 2 | NUT |
| 36 | 392817X1 | 2 | NUT |

- ! THIS IS A COMPONENT OF AN ASSEMBLY
- ⊕ SEE PAGE - REFERENCE NUMBER
- ⊖ WITHOUT FOR ITALY
- ⊞ 4 WHEEL DRIVE
- ⊟ 2 WHEEL DRIVE
- ◀ LEFT HAND
- ▶ RIGHT HAND

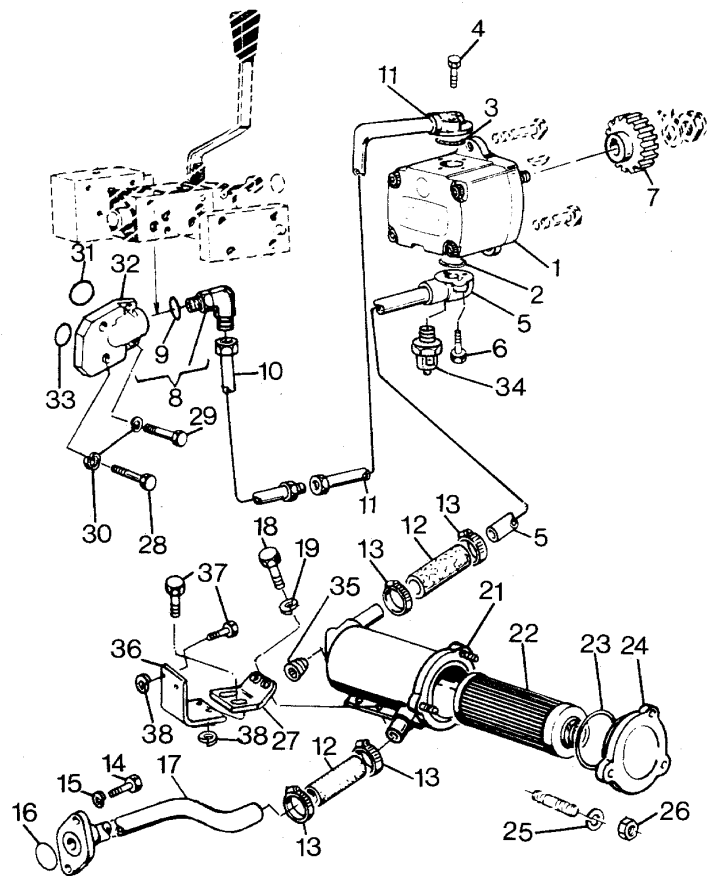
HYDRAULICS AND LINKAGE

P-42
01

HYDRAULIC LIFT PIPINGS

Frutteti 560 L-V 5560L

P4201



- | | | | | | |
|----|------------|----|--|---|-------------|
| 29 | 339761X1 | ◄► | 25MM.
A
B
D | 2 | SCREW |
| 30 | 339374X1 | | A
B
D | 4 | LOCK WASHER |
| 31 | 1441126X1 | | A
B
D | 1 | O RING |
| 32 | 3307643M1 | ● | 1444744X1 (1)
3000145X1 (1)
3550949M2 (1)
A
B
D | 1 | FLANGE |
| 33 | 762191M1 | | A
B
D | 1 | RING |
| 34 | 3530225M92 | | | 1 | SWITCH,IND |
| 35 | 3538736M1 | ➔ | R20050 | 1 | PLUG |
| 36 | 3533874M1 | | | 1 | STIRRUP |
| 37 | 339666X1 | | | 4 | SCREW |
| 38 | 339375X1 | | | 4 | LOCK WASHER |

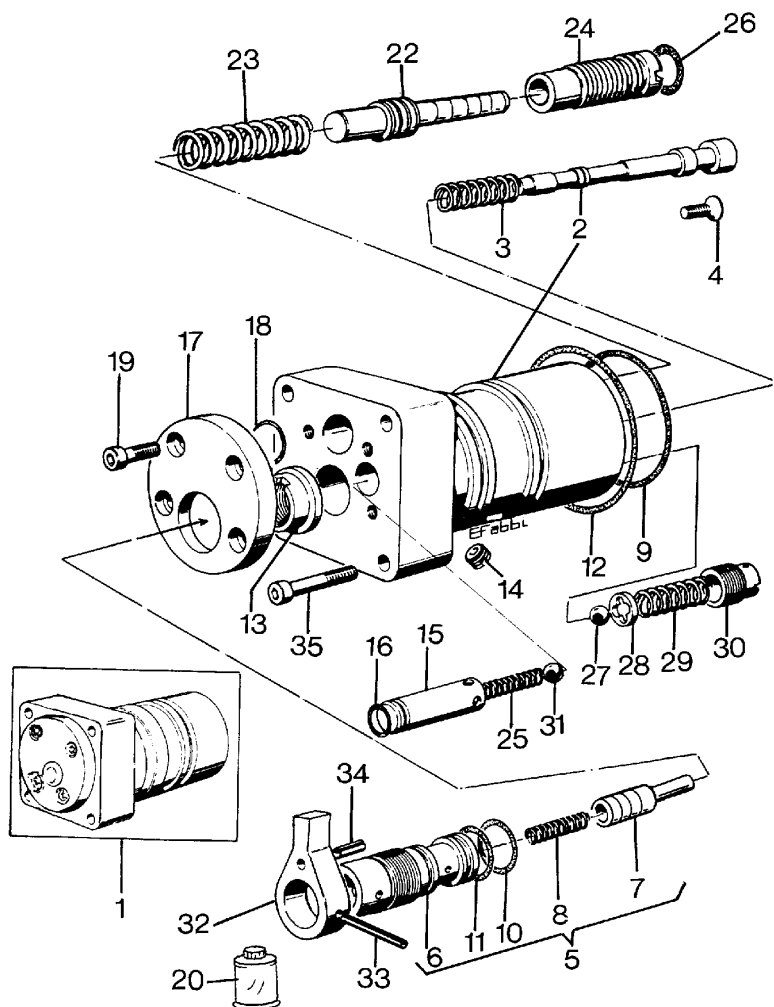
HYDRAULICS AND LINKAGE

P-42
07

LIFT DISTRIBUTOR

Frutteti 560 L-V 5560L

P4207



1	3306467M93	●	3306467M97 (1)	1	DISTRIBUTOR
2	3306218M92	●	3306467M97 (1)	1	BODY
		!	1		
3	1825248M1	!	1	1	SPRING
4	1441267X1	!	1	1	SCREW
5	3306227M93	●	3306227M94 (1)	1	VALVE
		!	1		
8	1825253M1	!	5	1	SPRING
9	370552X1	●	3673221M1 (2)	2	O RING
		!	1		
10	1000557M1	!	5	1	RING
11	1441126X1	!	5	1	O RING
12	365801X1	●	3673222M1 (1)	1	O RING
		!	1		
13	3306680M2	!	1	1	FERRULE
14	3306229M1	!	1	1	SCREW
15	1425371M1	●	1425371M2 (1)	1	GUIDE
		!	1		
16	3019926X1	!	1	1	O RING
17	3531029M2	●	3531029M3 (1)	1	COVER
		!	1		
18	371468X1	!	1	1	O RING
19	391148X1	!	1	4	SCREW
20	3538418M1	!	1	999	LOCTITE
22	3306235M2	!	1	1	VALVE
23	3306236M1	!	1	1	SPRING
24	3306468M3	!	1	1	VALVE SEAT
25	3300776M1	!	1	1	SPRING
26	364784X1	!	1	1	O RING
27	361031X1	!	1	2	BALL
28	1425368M1	!	1	2	WASHER
29	3306237M1	!	1	2	SPRING
30	1425370M1	!	1	2	SCREW

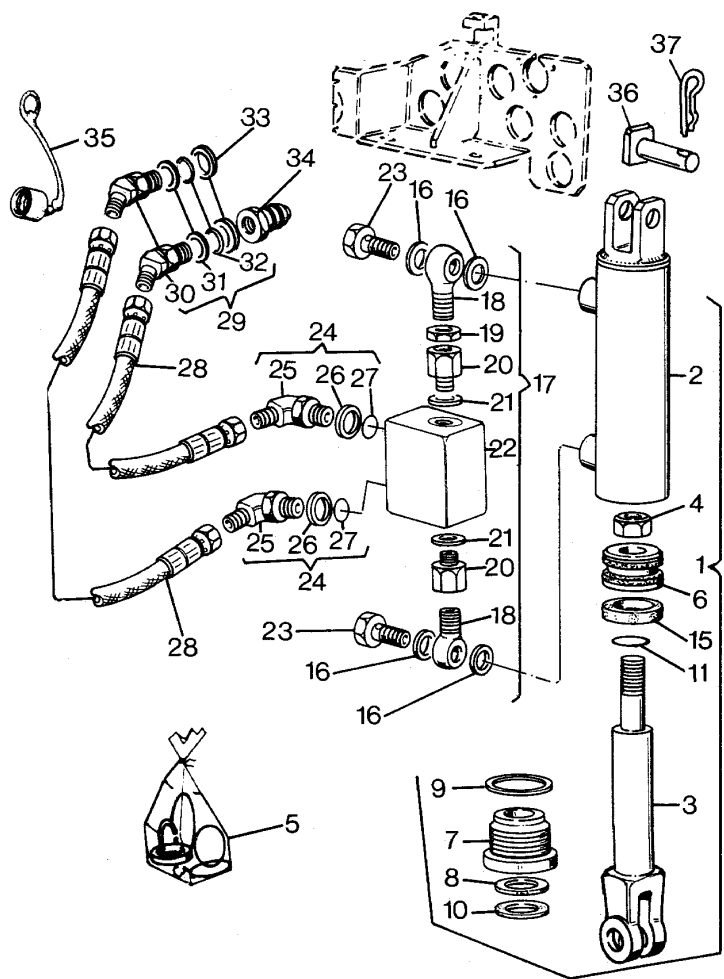
HYDRAULICS AND LINKAGE

P-42
12

HYDRAULIC LIFT CYLINDER

Frutteti 560 L-V 5560L

P4212



1	3531981M92	▶		1	ROD
2		!	1	1	BODY
		▶	REF.N.1		
3		!	1	1	ROD
		▶	REF.N.1		
4		!	1	1	NUT
			C		
5			B	1	KIT
6		!	1	1	PISTON
			C		
7		!	1	1	FERRULE
			C		
8	3531973M1	!	5	1	GASKET
9	195654M1	!	5	1	RING
10	3531974M1	!	5	1	RING
11	364784X1	!	5	1	O RING
15	3531890M1	!	5	1	GASKET
16		!	1	4	GASKET
			C		
17	3531975M91	●	3665756M91 (1)	1	VALVE
		!	1		
18		!	17	2	UNION
			C		
19		!	17	1	NUT
			C		
20		!	17	2	UNION
			C		
21		!	17	2	GASKET
			C		
22		!	17	1	BLOCK
			C		
23		!	1	2	FILLER
			C		
24	3534572M92			2	UNION

CLICK HERE TO **DOWNLOAD** THE COMPLETE MANUAL

- Thank you very much for reading the preview of the manual.
- You can download the complete manual from: www.heydownloads.com by clicking the link below



- Please note: If there is no response to CLICKING the link, please download this PDF first and then click on it.

CLICK HERE TO **DOWNLOAD** THE COMPLETE MANUAL

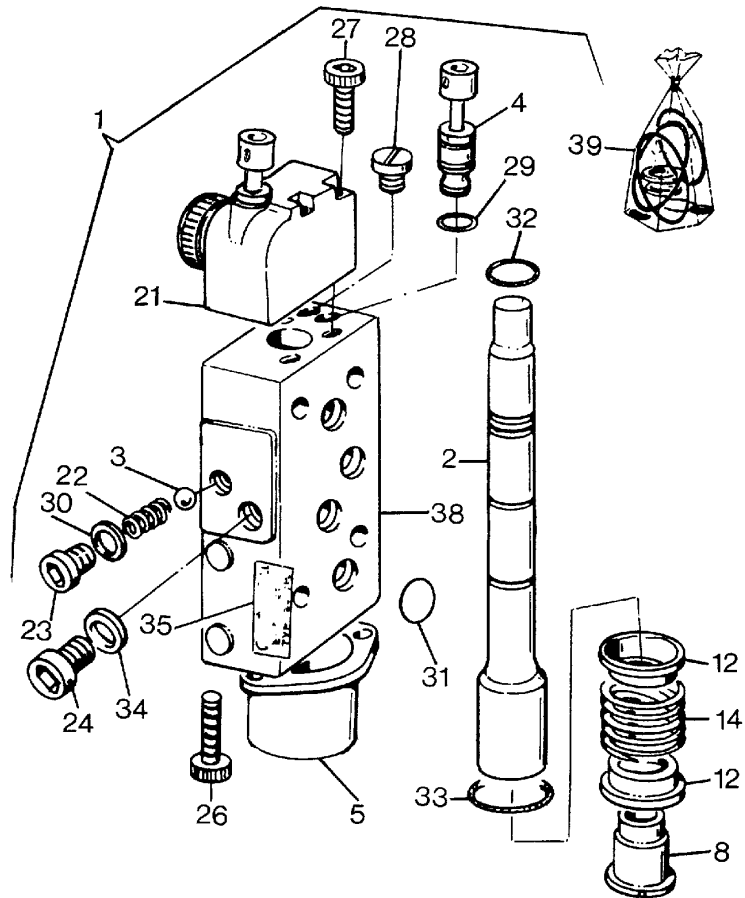
HYDRAULICS AND LINKAGE

P-42
17

AUXILIARY DISTRIBUTOR

Frutteti 560 L-V 5560L

P4217



1	3531703M91	Y	15384064 15384065 15384066	1	DISTRIBUTOR
2		➤	REF.N.1	1	ROD
3	3105116M1			1	BALL
4	3105104M1			1	PIN
5	3105205M1			1	CAP
8	3105207M1			1	SCREW
12	3105206M1			2	SPRING
14	3105113M1			1	SPRING
21	3105204M1			1	COVER
22	3105121M1			1	SPRING
23	1444264X1			1	SCREW
24	391149X1			2	PLUG
27	1441967X1			3	SCREW
28	390916X1			2	SCREW
29	3105124M1	B		1	RING
30	3105176M1	B		1	RING
31	359247X1	B		4	RING
32	3105125M1	B		1	RING
33	3105126M1	B		1	RING
34	1442936X1	B		1	WASHER
35		A		1	NOTE PLATE
38		➤	REF.N.1	1	BODY
39	3105214M91			999	KIT
➤			NOT SERVICED, ORDER		
A			NOT SUPPLIED		
B			INCLUDED ON KIT 3105214M91		
Y			"TILL" TYPE		

HYDRAULICS AND LINKAGE

P-42
24

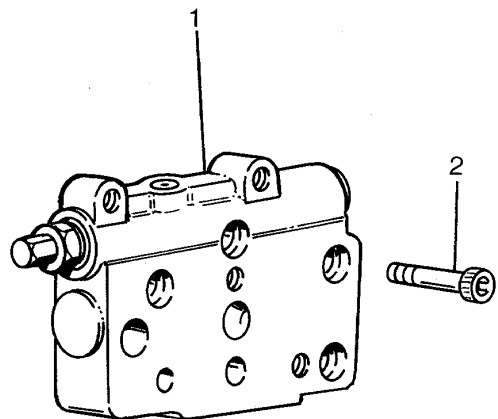
DISTRIBUTOR

Frutteti 560 L-V 5560L



P4224

- 1 3547487M91 ● 3547487M93 (1) 1 PLATE
- 2 1441612X1 3 SCREW



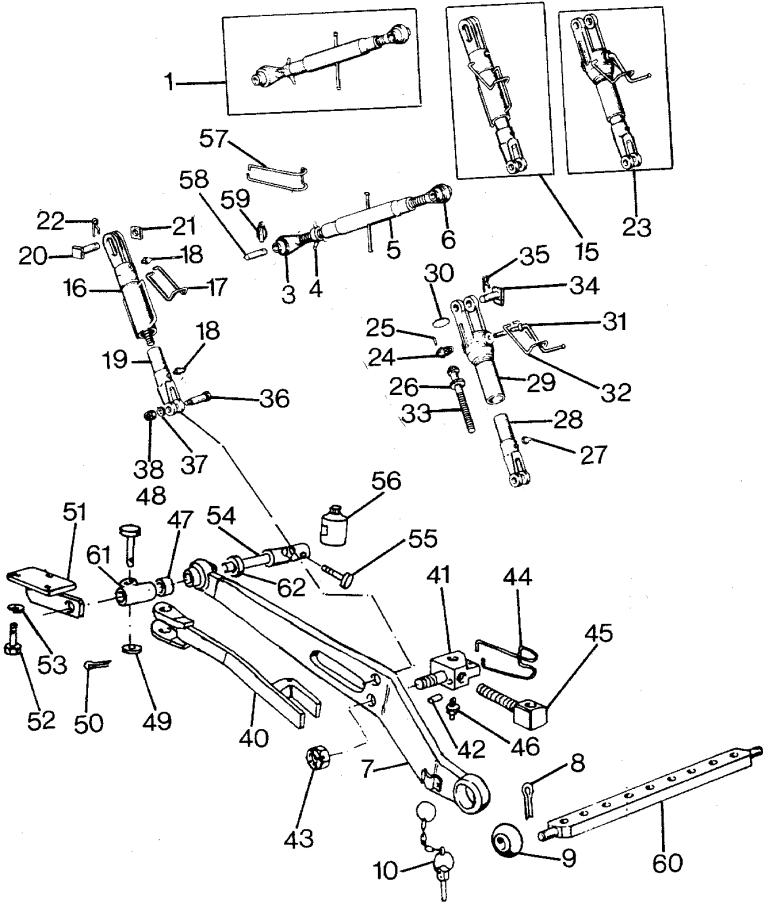
HYDRAULICS AND LINKAGE

P-42
29

LINKAGE

Frutteti 560 L-V 5560L

P4229



1	1825402M92		1	STRUT
3	1825391M91	!	1	STRUT
4	1825401M1	!	1	NUT
5	1825397M92	!	1	SLEEVE
6	1825403M91	!	1	STRUT
7	3533820M92	◀	1	TIE ROD
7	3533821M92	▶	1	TIE ROD
8	3306953M1	!	7	2 RETAINER
9	3306955M1		2	TOGGLE
10	1825417M91		2	RETAINER
15	3308441M91	◀	1	ROD
16	3308445M91	!	15	1 YOKE
		▲		
17	1825440M1	!	15	1 RETAINER
18	339608X1	!	15	2 GREASER
19	3307444M91	!	15	1 YOKE
		▼		
20	3548036M91	●	3667796M91 (1) 3670719M91 (1)	1 PIN
21	3300764M1	●	3300764M2 (1)	1 PLATE
22	974303M1			1 SPRING
23	3308357M91	●	3300764M2 (1) 3308441M91 (1) 3667796M91 (1) 3670719M91 (1)	1 ROD
		▶		
24	1825441M1	!	23	1 GEAR
		■	10	
25	1440399X1	!	23	1 DOWEL
26	395574X1	!	23	1 BEARING
27	339608X1	!	23	2 GREASER
28	3307929M3	!	23	1 SLEEVE

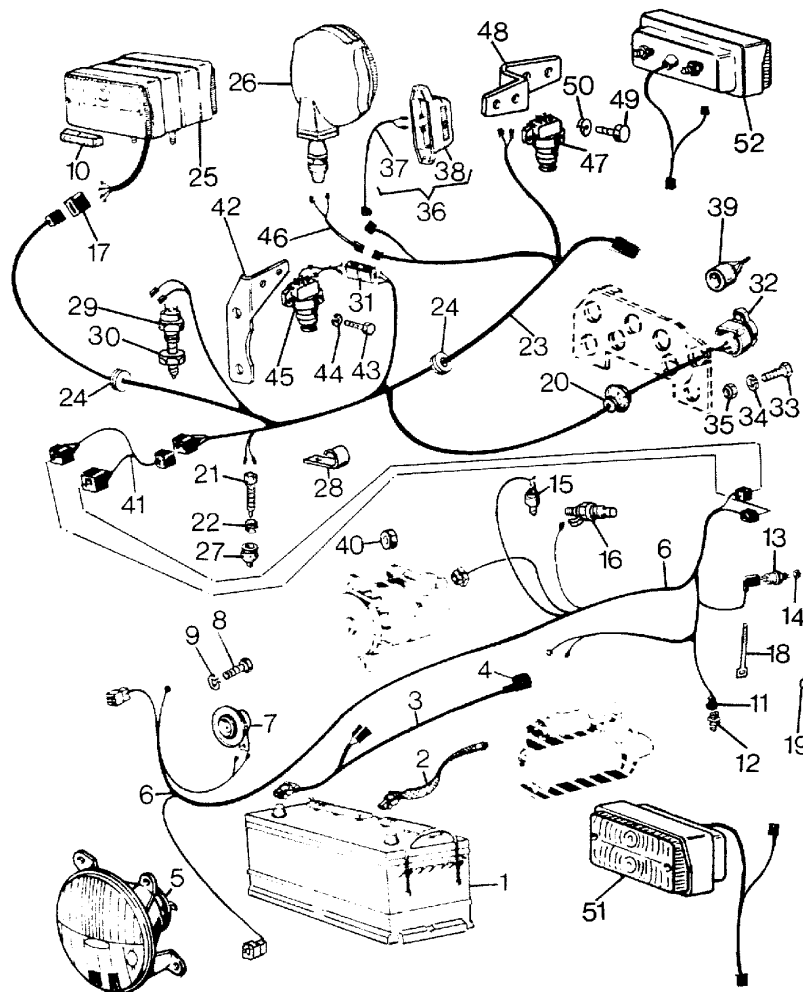
LIGHTING EQUIPMENT

D-00
03

ELECTRICAL WIRING

Frutteti 560 L-V 5560L

D0003



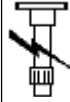
- !
 - ◇
 - A
 - A
 - B
 - C
 - C
 - C
 - D
 - D
 - F
 - G
 - H
 - I
 - R
 - T
 - U
 - Y
 - Y
- THIS IS A COMPONENT OF AN ASSEMBLY
SEE PAGE - REFERENCE NUMBER
WITH STANDARD CAB FROM SERIAL S 14037
WITHOUT CAB
NEUTRAL SAFETY STARTING
OIL PRESSURE
WITHOUT CAB FROM SERIAL S 16060
HELLA TYPE
WATER TEMPERATURE
FRONT
BRAKE SWITCH
TWO SPEED P.T.O.
SINGLE SPEED P.T.O.
540R.P.M.
WITH STANDARD CAB UP TO SERIAL NO S 14036
UP TO SERIAL NO R 35158
FROM SERIAL R 35159
WITH CAB
REAR

LIGHTING EQUIPMENT

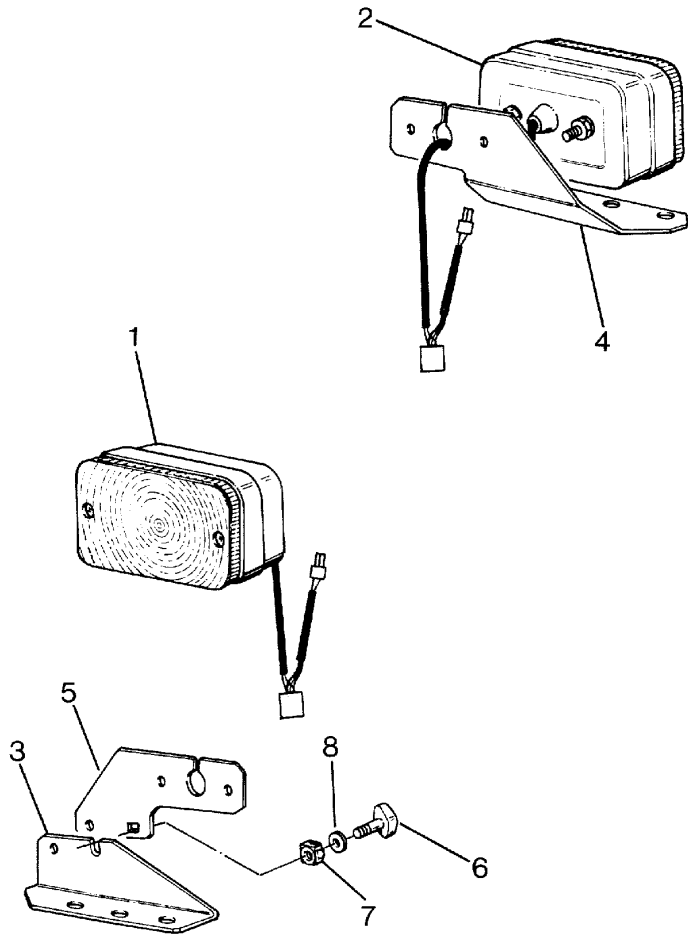
D-00
09

LIGHTING EQUIPMENT

Frutteti 560 L-V 5560L



D0009



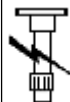
1	3539779M91	A	2	LIGHT
		D		
		D		
		Y		
2	3539835M91	A	2	LIGHT
		D		
		Y		
		Y		
3	3538216M2	◀	1	SUPPORT
		D		
		Y		
3	3538217M2	▶	1	SUPPORT
		D		
		Y		
4	3538214M2	◀	1	SUPPORT
		Y		
		Y		
4	3538215M2	▶	1	SUPPORT
		Y		
		Y		
5	3538220M2	◀	1	PLATE
		Y		
5	3538221M2	▶	1	PLATE
		Y		
6	3551537M91	●	2	KNOB
		Y		
		Y		
6	3551537M92 (2)		2	KNOB
7	3538498M91	Y	2	NUT
8	391038X1	Y	2	LOCK WASHER
A	WITH STANDARD CAB FROM SERIAL S 14037			
D	COBO TYPE			
D	FRONT			
◀	LEFT HAND			
▶	RIGHT HAND			
Y	WITH CAB			
Y	REAR			

REAR AXLE AND REAR BRAKES

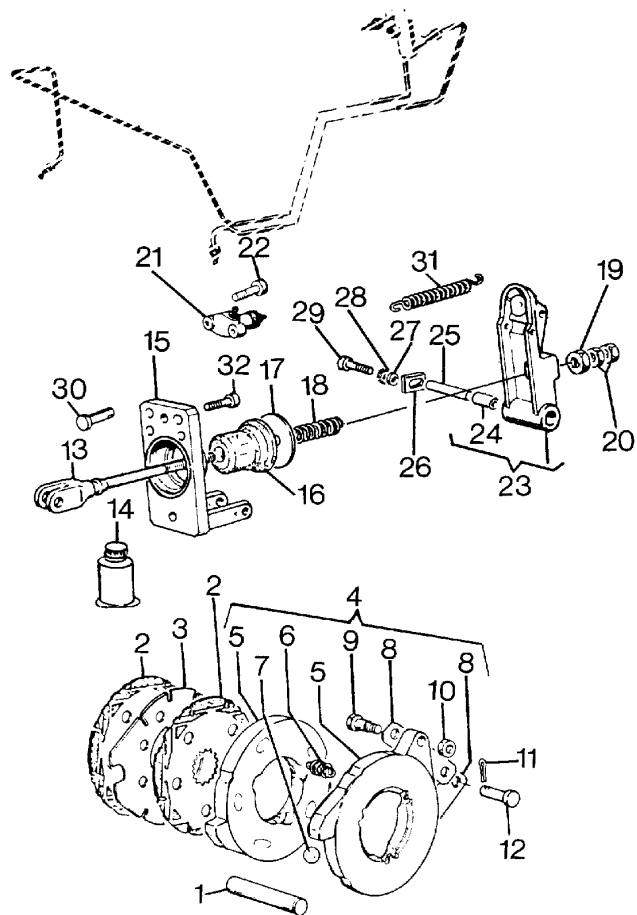
G-40
05

BRAKES AND CONTROLS

Frutteti 560 L-V 5560L



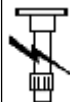
G4005



1	3304656M1		2	PIN
2	3308295M1	●	6	DISC
3	3308296M1	●	2	DISC
4	3304634M91	●	2	KIT
		Y		
				3308792M91
				A
4	3308792M91	Y	2	KIT
				3304634M91
				B
5		!	4	2 DISC
		➡		REF.N.4
				A
				B
6	1005510M1	●	6	SPRING
		!		1853148M1 (6)
				4
				A
6	3310765M1	!	6	SPRING
				4
				B
7	16779X	!	10	BALL
				4
				A
7	3310764M1	!	10	BALL
				4
				B
8	1897397M1	!	4	TIE ROD
				A
8	3310768M1	●	4	TIE ROD
		!		1897397M1 (4)
				4
				B
9	1005512M2	!	2	SCREW
				4
				A
9	3310767M1	●	4	SCREW
		!		3679021M1 (4)
				4
				B
10	3310766M1	!	4	NUT
				4
				B

REAR AXLE AND REAR BRAKES

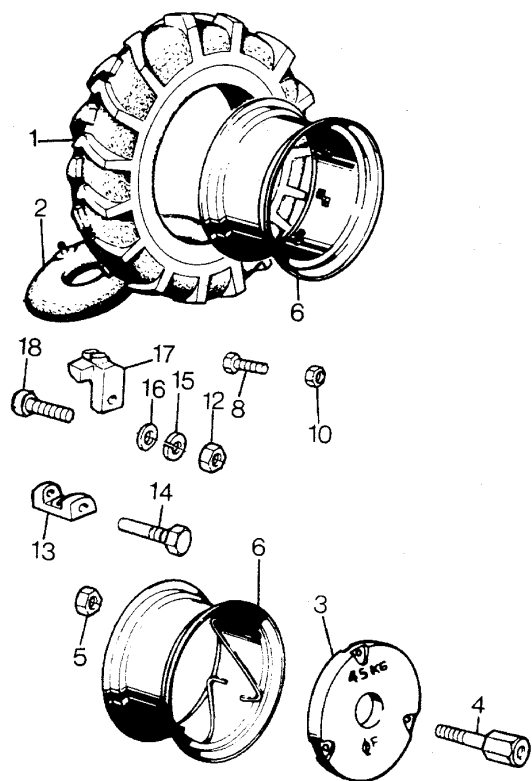
G-40
09



G4009

REAR WHEELS

Frutteti 560 L-V 5560L



4	3303665M1	G	6	SCREW
		M		
4	974398M1	G	6	SCREW
5	392501X1	G	6	NUT
		M		
6	3303370M94	⊕	2	HOOP
		A		
		G		
		W12-24		
6	3303370M94	B	2	HOOP
		W12-24		
6	3306146M94	⊕	2	HOOP
		E		
		W12-28		
6	3306148M93	D	2	HOOP
		E		
		W10-28		
6	3307411M92	D	2	HOOP
		E		
		W10-28 PAVT		
6	3308675M93	A	2	HOOP
		C		
		W10-24		
6	3381506M91	⊕	2	HOOP
		E		
		N		
		W12-28 PAVT		
8	3304220M1		12	SCREW
10	3384600M2		12	NUT
12	3009747X1	I	10	NUT
13	227609M1	●	8	RETAINER
		I		
14	1751403M1	I	8	SCREW
15	1440318X1	I	10	LOCK WASHER

SHEET METAL

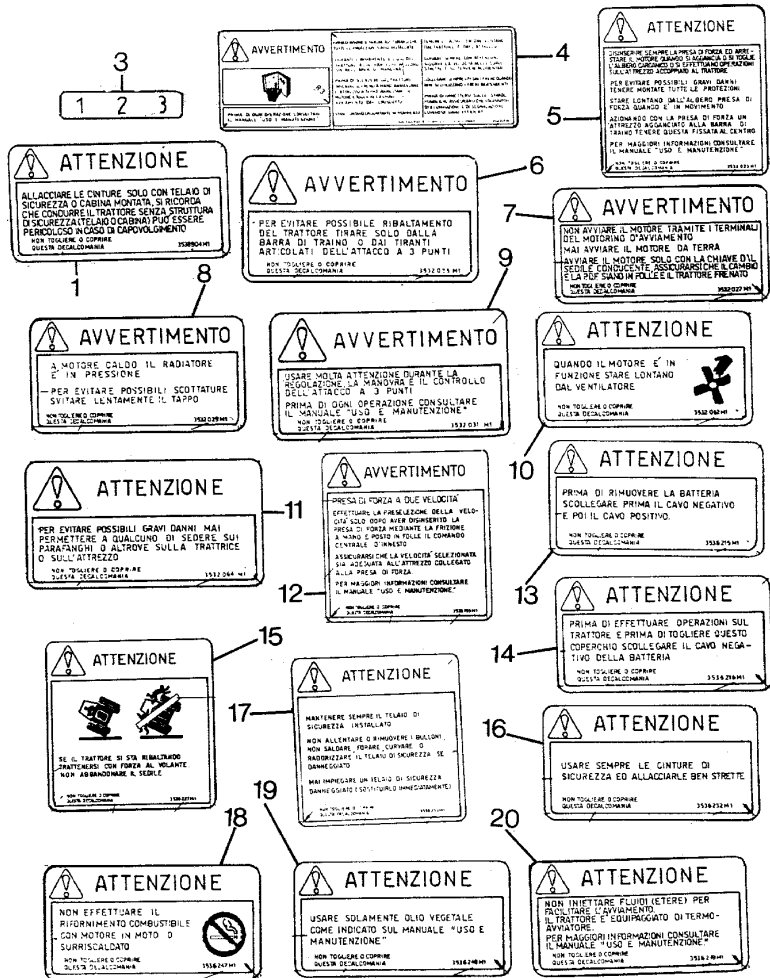
Frutteti 560 L-V 5560L

R-20
05



R2005

DECALS



8	3532029M1	Ⓞ		1	DECAL
8	3532030M1	Ⓞ		1	DECAL
		Ⓞ	C		
8	3536822M1	Ⓞ		1	DECAL
		Ⓞ	H		
8	3537752M1	Ⓞ		1	DECAL
9	3532031M1	Ⓞ		1	DECAL
9	3532032M1	●	N.L.S. (1)	1	DECAL
		Ⓞ			
		Ⓞ	C		
9	3536835M1	Ⓞ		1	DECAL
		Ⓞ	H		
9	3537753M1	Ⓞ		1	DECAL
10	3532062M1	Ⓞ		2	DECAL
10	3532063M1	●	3559552M95 (2)	2	DECAL
		Ⓞ			
		Ⓞ	C		
10	3536821M1	Ⓞ		2	DECAL
		Ⓞ	H		
10	3537754M1	●	4203959M91 (2)	2	DECAL
		Ⓞ	I		
11	3532064M1	●	3559552M95 (1)	1	DECAL
		Ⓞ			
		Ⓞ	C		
11	3532065M1	Ⓞ		1	DECAL
		Ⓞ			
		Ⓞ	C		
11	3536832M1	Ⓞ		1	DECAL
		Ⓞ	H		
11	3537755M1	Ⓞ		1	DECAL
		Ⓞ	I		
12	3536193M1	Ⓞ		1	DECAL
12	3536802M1	Ⓞ		1	DECAL
		Ⓞ			
		Ⓞ	C		

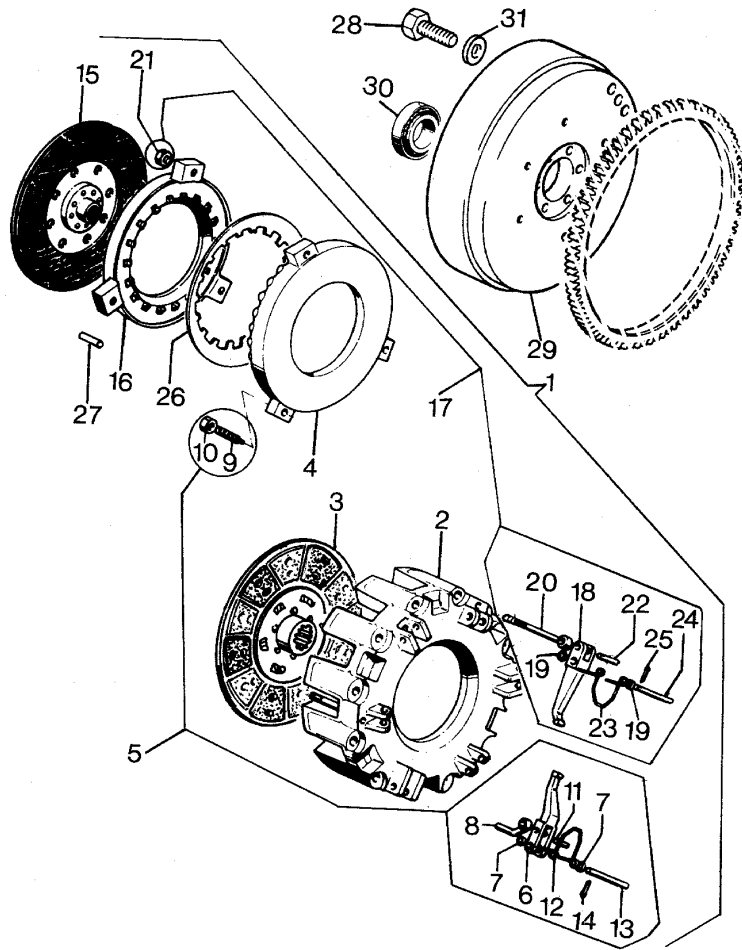
TRANSMISSION

E-04
03

CLUTCH

Frutteti 560 L-V 5560L

E0403



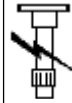
1	3542805M91	●	3538592M93 (1)	1	CLUTCH
2	3311396M1	!	1	1	BOX
3	3311928M91	!	1	1	DISC
4	3311923M1	!	1	1	PLATE
5	3311921M91	!	1	999	KIT
6		!	5	3	LEVER
7		▶	REF.N.5	6	BUSH
8		!	5	3	STEM
9	3300657M1	!	5	3	REGISTER
10	1442578X1	●	1441303X1 (3)	3	NUT
11	3300642M1	!	5	3	PIN
12	3300643M1	!	5	3	SPRING
13	3300644M1	!	5	3	PIN
14	1440389X1	●	1441726X1 (3)	3	DOWEL
15	1424135M93	!	1	1	DISC
16	3311922M1	!	1	1	PLATE
17	3311920M91	!	1	999	KIT
18		!	17	3	LEVER
19		▶	REF.N.17	6	BUSH
20	3300649M1	!	17	3	STRUT

TRANSMISSION

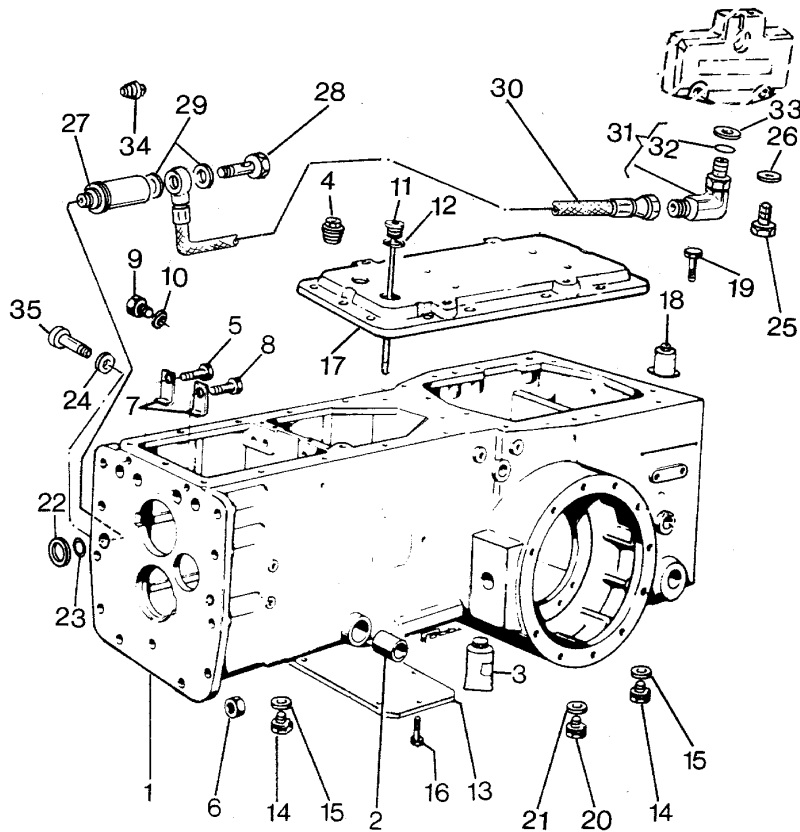
E-04
07

CENTRE AXLE HOUSING AND TRANSMISSION HOUSING

Frutteti 560 L-V 5560L



E0407



33	3548877M1	B	1	WASHER
		D		
34	1442560X1	A	1	PLUG
		D		
35	392890X1	D	1	SCREW
36	3533937M1	B	3	CLAMP

- ! THIS IS A COMPONENT OF AN ASSEMBLY
- ➔ FROM SERIAL OR ENGINE NUMBER
- ➡ UP TO SERIAL OR ENGINE NUMBER
- A WITHOUT LUBRICATOR.
- B WITH LUBRICATOR
- C UP TO SERIAL N.C23013
- II 2 WHEEL DRIVE
- D FROM SERIAL N.C23014
- ◄ LENGTH

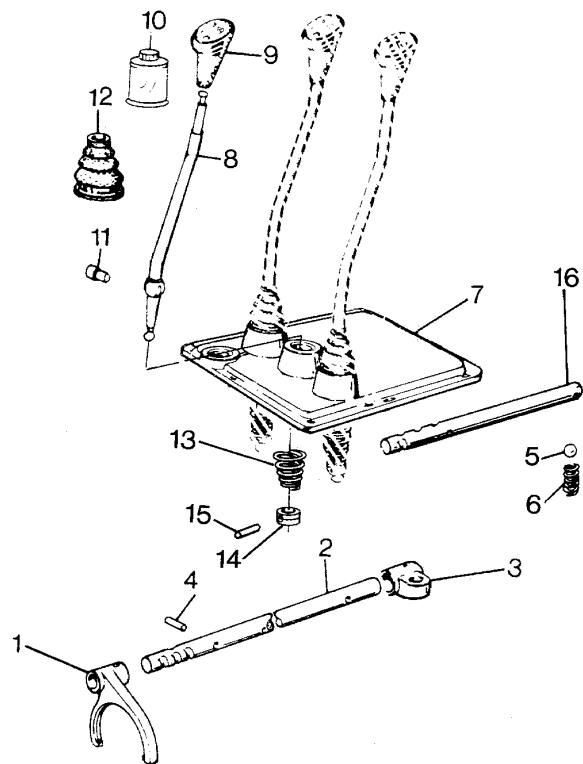
TRANSMISSION

E-04
12

TRANSFER GEAR BOX

Frutteti 560 L-V 5560L

E0412



- | | | | | | |
|----|------------|---|----------------|-----|---------|
| 1 | 3534148M2 | ● | 3534148M3 (1) | 1 | YOKE |
| 2 | 3531819M2 | | | 1 | ROD |
| 3 | 3545477M1 | | | 1 | GUIDE |
| 4 | 1441736X1 | | | 2 | DOWEL |
| 5 | 361031X1 | | | 1 | BALL |
| 6 | 3305061M1 | | | 1 | SPRING |
| 7 | 3531805M3 | ● | 3531805M6 (1) | 1 | COVER |
| 8 | 3535619M1 | | | 1 | LEVER |
| 9 | 3534452M91 | | | 1 | GRIP |
| 10 | 3532563M1 | | | 999 | LOCTITE |
| 11 | 973267M2 | | | 1 | PIN |
| 12 | 3530683M91 | ● | 3530683M92 (1) | 1 | BELLOWS |
| 13 | 3535622M1 | | | 1 | SPRING |
| 14 | 1824691M1 | | | 2 | BASE |
| 15 | 390244X1 | | | 1 | DOWEL |
| 16 | 3535616M1 | | | 1 | ROD |

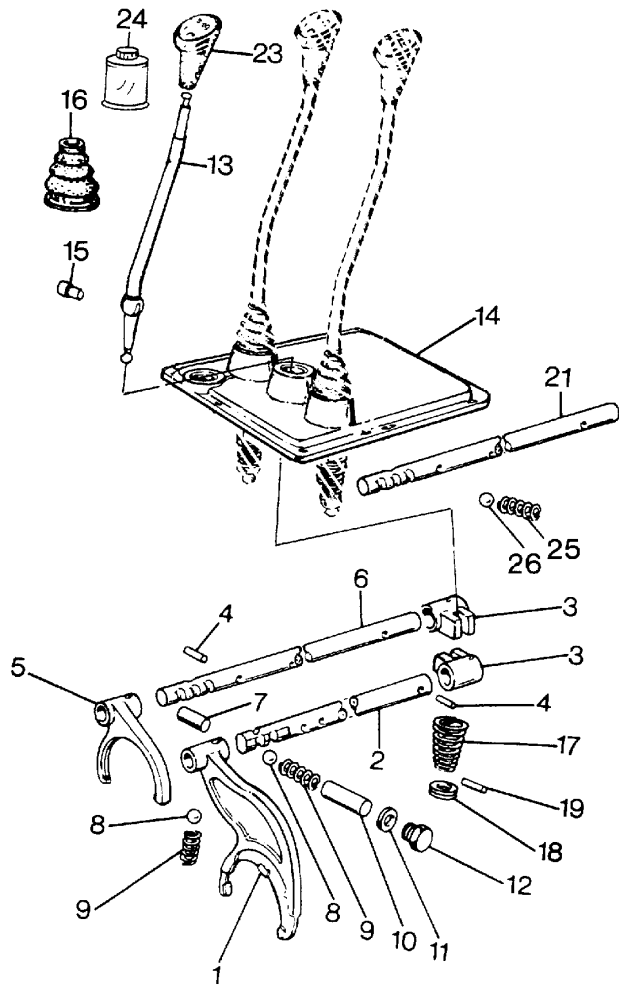
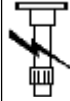
TRANSMISSION

E-04
16

REDUCER CONTROL OPZIONI

Frutteti 560 L-V 5560L

E0416



- | | | | | | |
|----|------------|---|----------------|-----|---------|
| 1 | 3534150M2 | ● | 3534150M3 (1) | 1 | YOKE |
| 2 | 3531818M1 | ➔ | A14008 | 1 | ROD |
| 2 | 3544714M1 | ➔ | A14009 | 1 | ROD |
| 3 | 3531820M2 | | | 2 | GUIDE |
| 4 | 1441736X1 | | | 4 | DOWEL |
| 5 | 3534148M2 | ● | 3534148M3 (1) | 1 | YOKE |
| 6 | 3531819M2 | | | 1 | ROD |
| 7 | 1824702M1 | | | 1 | PIN |
| 8 | 361031X1 | | | 2 | BALL |
| 9 | 3305061M1 | | | 2 | SPRING |
| 10 | 3533966M1 | | | 1 | PIN |
| 11 | 1440700X1 | | | 2 | GASKET |
| 12 | 1441308X1 | | | 2 | SCREW |
| 13 | 3535619M1 | | | 1 | LEVER |
| 14 | 3531805M3 | ● | 3531805M6 (1) | 1 | COVER |
| 15 | 973267M2 | | | 1 | PIN |
| 16 | 3530683M91 | ● | 3530683M92 (1) | 1 | BELLOWS |
| 17 | 3535622M1 | | | 1 | SPRING |
| 18 | 1824691M1 | | | 2 | BASE |
| 19 | 390244X1 | | | 1 | DOWEL |
| 21 | 3535615M2 | | | 1 | ROD |
| 23 | 3534450M92 | | | 1 | GRIP |
| 24 | 3532563M1 | | | 999 | LOCTITE |
| 25 | 3305061M1 | | | 1 | SPRING |
| 26 | 361031X1 | | | 1 | BALL |

➔ FROM SERIAL OR ENGINE NUMBER
➔ UP TO SERIAL OR ENGINE NUMBER

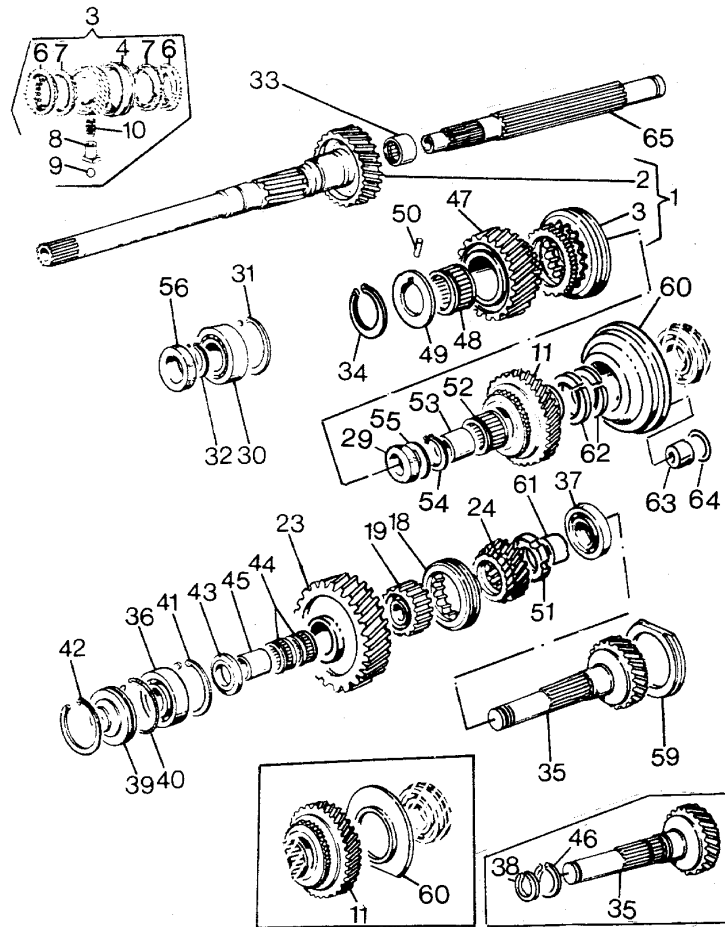
TRANSMISSION

E-04
19

REDUCER

Frutteti 560 L-V 5560L

E0419



- | | | | | | |
|----|------------------------------------|---|--------|---|--------|
| 64 | 831519M1 | ➔ | C23014 | 1 | O RING |
| 65 | 3533956M1 | ➔ | C23013 | 1 | SHAFT |
| 65 | 3548464M1 | ➔ | C23014 | 1 | SHAFT |
| ! | THIS IS A COMPONENT OF AN ASSEMBLY | | | | |
| ➔ | FROM SERIAL OR ENGINE NUMBER | | | | |
| ➔ | UP TO SERIAL OR ENGINE NUMBER | | | | |
| D | FRONT | | | | |
| ➔ | NUMBER OF TEETH/SPLINES | | | | |
| Y | REAR | | | | |

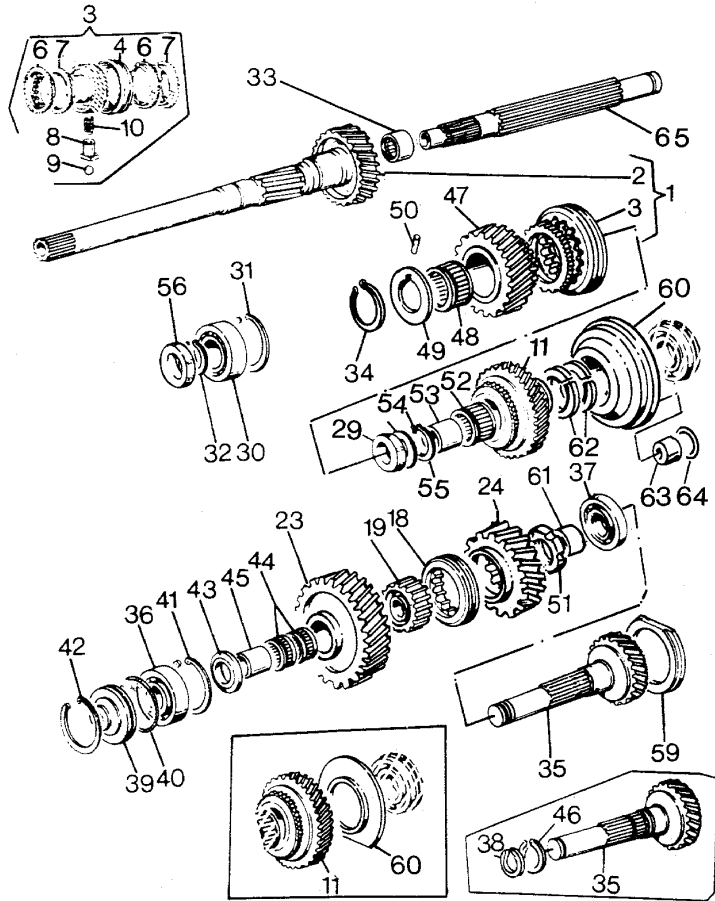
TRANSMISSION

E-04
23

REDUCER

Frutteti 560 L-V 5560L

E0423



40	3305049M1		1	RING
41	339437X1		1	RING
42	1443524X1		1	RING
43	3533955M2	→ A14008	1	SPACER
43	3544708M1	⊙ 3544708M2 (1)	1	SPACER
		→ A14009		
44	1440618X1		2	CAGE
45	3533957M1		1	RING
46	392759X1	⊙ 339820X1 (2)	2	RING
		→ A14008		
47	3534541M1	→ C23013	1	GEAR
		46		
47	3548390M1	→ C23014	1	GEAR
48	392519X1	⊙ 3647577M1 (1)	1	BEARING
49	3309354M1		1	DISC
50	3535083M1		1	PIN
51	392771X1	→ A14009	1	FERRULE
52	3304944M1		1	BEARING
53	3305062M2	→ C23013	1	RING
53	3548467M1	→ C23014	1	BUSH
54	3006803X1		1	RING
55	3305063M1	→ C23013	1	WASHER
55	3548402M1	→ C23014	1	SPACER
56	973454M1		1	SEAL
59	3309349M1		1	DISC
60	3309350M1	→ P47062	1	DISC
60	3538775M2	→ P47063	1	DISC
		→ C23013		
60	3548466M1	⊙ 3548466M3 (1)	1	FLANGE
		→ C23014		
61	3544709M1	→ A14009	1	SPACER
62	3548395M1	→ C23014	2	RING
63	3548398M1	→ C23014	1	PIPE

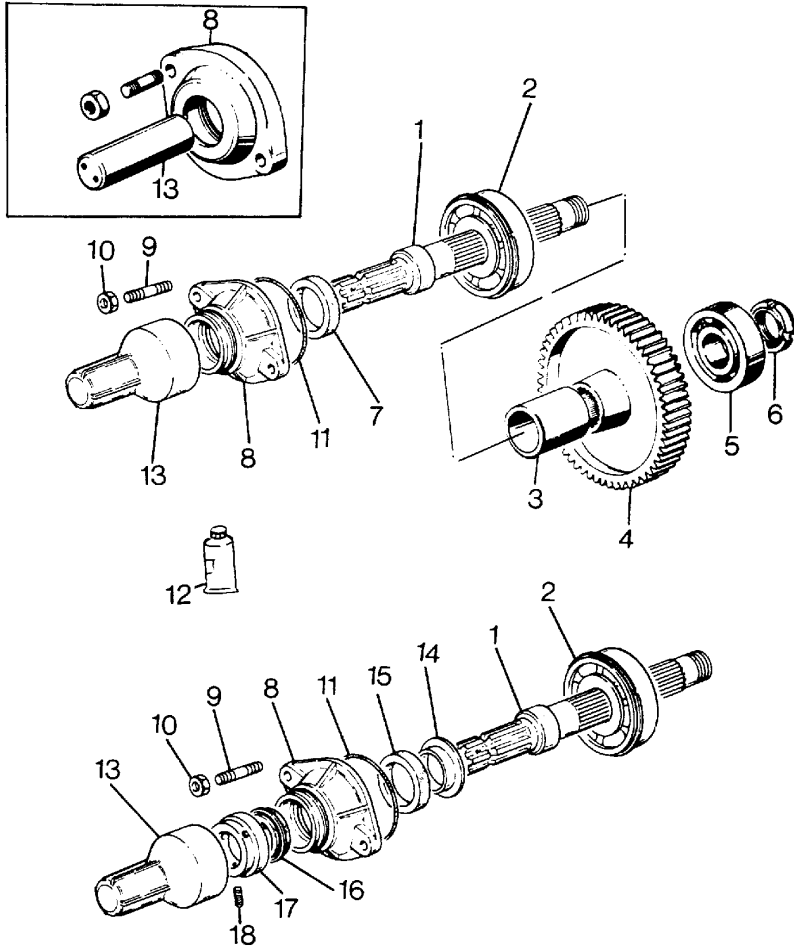
TRANSMISSION

E-04
27

"FRONT" PTO DRIVE SHAFT

Frutteti 560 L-V 5560L

E0427



14	3543739M1	➔	A13045	1	BUSH
			C		
15	3543740M1	➔	A13045	1	SEAL
			C		
16	3543741M91	➔	A13045	1	SEAL
			C		
17	3543742M1	➔	A13045	1	COVER
			C		
18	3009357X1	➔	A13045	3	SCREW
			C		

- ➔ FROM SERIAL OR ENGINE NUMBER
- ➔ UP TO SERIAL OR ENGINE NUMBER
- B WITH "STANDARD SEAL"
- C "RICELAND SEAL" VERSION
- ➔ NUMBER OF TEETH/SPLINES

CLICK HERE TO **DOWNLOAD** THE COMPLETE MANUAL

- Thank you very much for reading the preview of the manual.
- You can download the complete manual from: www.heydownloads.com by clicking the link below



- Please note: If there is no response to CLICKING the link, please download this PDF first and then click on it.

CLICK HERE TO **DOWNLOAD** THE COMPLETE MANUAL