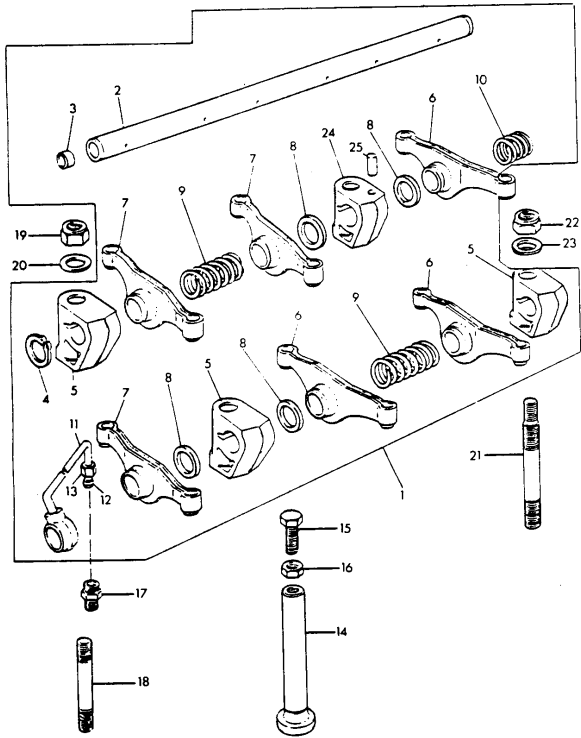


ACCESSORIES AND APPLICATION MISCELLANEOUS

Frutteti 530 F-L-V 5530F



ROCKER ARM



1	41151306	●	4115R807 (1)	1	AXLE
2	U7LR0002	●	ZZ90047 (1)	1	SHAFT
		!	1		
3	0650507	!	2	2	PLUG
4	0170033	!	1	2	CIRCLIP
5	0101138	●	3818X121 (3)	3	SUPPORT
		!	1		
6	0520429	●	3737A101 (3)	3	LEVER
		!	1		
		Y			
		▼			
6	3737A031	●	3737A101 (3)	3	LEVER
		!	1		
		Y			
		▼			
7	0520430	●	3737A091 (3)	3	LEVER
		!	1		
		Y			
		▼			
7	3737A041	●	3737A091 (3)	3	LEVER
		!	1		
		Y			
		▼			
8	0330505	!	1	5	SPACER
9	0780005	!	1	2	SPRING
10	0780175	!	1	1	SPRING
11	35568352	!	1	1	PIPE
12	0566002	!	11	1	OLIVE
13	0576111	!	11	1	NUT
14	0860012			6	TAPPET
15	0720677	●	32151116 (6)	6	SCREW
16	0576052			6	NUT

CLICK HERE TO **DOWNLOAD** THE COMPLETE MANUAL

- Thank you very much for reading the preview of the manual.
- You can download the complete manual from: [www.heydownloads.com](http://www.heydownloads.com) by clicking the link below



- Please note: If there is no response to CLICKING the link, please download this PDF first and then click on it.

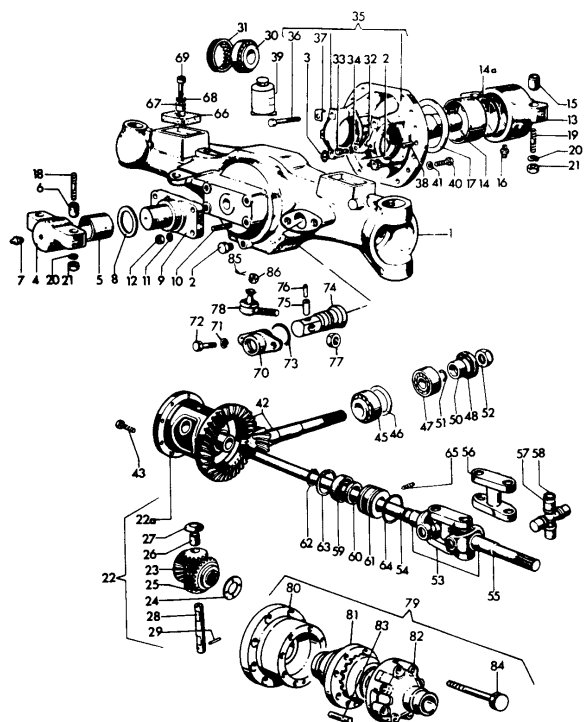
CLICK HERE TO **DOWNLOAD** THE COMPLETE MANUAL

ACCESSORIES AND APPLICATION MISCELLANEOUS

Frutteti 530 F-L-V 5530F



FRONT AXLE



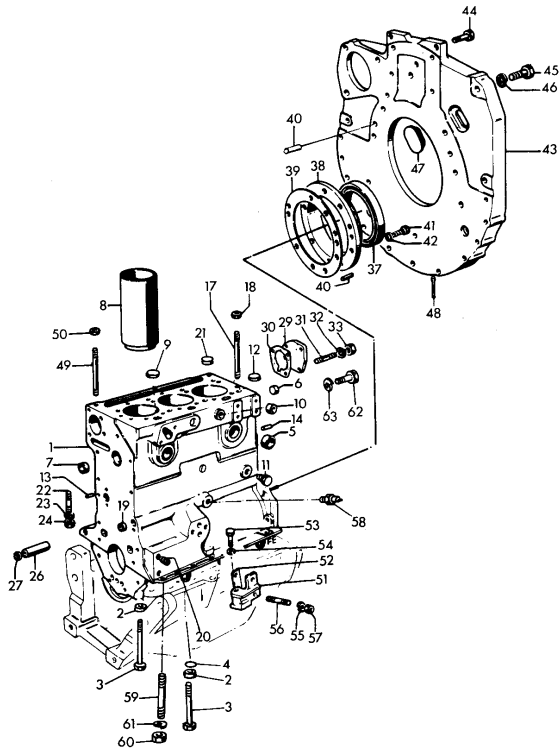
70	3426143M1		1	FLANGE	
71	1440316X1		2	WASHER	
72	1441554X1		2	BOLT	
73	1441129X1		1	SEAL	
74	3426142M1		1	CLEVIS PIN	
75	339248X1		1	PIN	
76	339193X1		1	PIN	
77	390197X1		1	NUT BSF	
78	3426167M91	●	3426167M93 (1)	1	UNIVERSAL
79	3426071M93	C		1	KIT
80	3426072M3	!	79	1	HOUSING
		C			
81	3426074M92	!	79	1	DIFFERENTIAL
		C			
82	3426073M2	!	79	1	HOUSING
		C			
83	3426075M2	!	79	1	PIN
		C			
84	1442901X1	!	79	8	SCREW
		C			
85	3309153M1	●	N.L.A. (2)	2	SPACER
		D			
86	390197X1	!	78	1	NUT BSF

ACCESSORIES AND APPLICATION MISCELLANEOUS

Frutteti 530 F-L-V 5530F



CYLINDER BLOCK



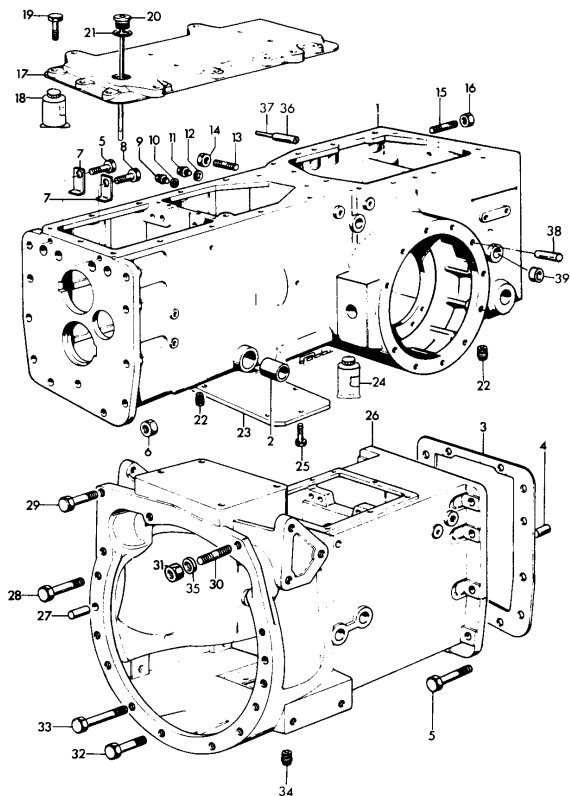
1	41423506	●	U5MB0014 (1)	1	BLOCK
		→	ZZ50272 (1)		
			UA391045DL		
1	91049	●	N.L.A. (1)	1	CYLINDER B
		→	UA391044D		
2	33137408	!	1	8	THIMBLE
3	32181441	!	1	8	SCREW
3	32181442	!	1	6	SCREW
4	2415608			2	O RING
5	0650563	!	1	4	PLUG
6	0650664	!	1	1	PLUG
7	0650710	!	1	1	PLUG
8	31358323	!	1	3	LINER
			A		
			B		
8	31358345			3	LINER
9	33141124	!	1	1	PLUG
10	32417115	!	1	2	PLUG
11	32161357	●	32161114 (1)	1	PLUG
12	33157143			2	PLUG
13	0350005			1	DOWEL
14	0350015			2	DOWEL
15	2485A204	!	1	1	PLUG
17	32524132			2	STUD
18	33221315	●	33221327 (2)	2	NUT
19	0650566			2	PLUG
20	32114471			3	PLUG
21	33157142			2	PLUG
22	0826285			1	STUD
23	0920053			1	WASHER
24	0576002	●	353916X1 (1)	1	NUT

ACCESSORIES AND APPLICATION MISCELLANEOUS

Frutteti 530 F-L-V 5530F



CENTRE AXLE HOUSING AND TRANSMISSION HOUSING



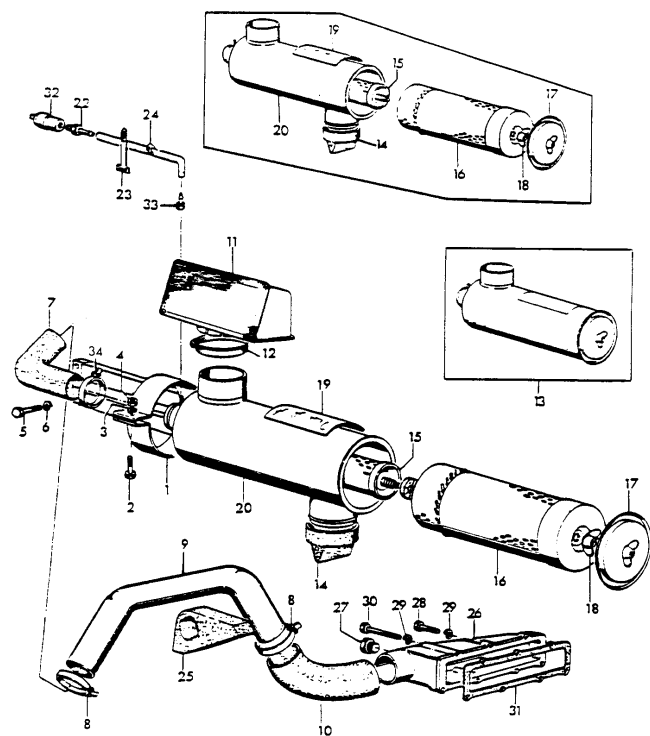
- ➔ FROM SERIAL OR ENGINE NUMBER
- ➑ UP TO SERIAL OR ENGINE NUMBER
- A USED ONLY WITH WET BRAKES
- B USED ONLY WITH REDUCER
- B FROM SERIAL OR ENGINE NUMBER 133B00013, 2 WHEEL DRIVE , FROM SERIAL OR ENGINE NUMBER 233B00046 25 KM/H, 4 WHEEL DRIVE , FROM SERIAL OR ENGINE NUMBER 133C00102, 2 WHEEL DRIVE , FROM SERIAL OR ENGINE NU
- B UP TO SERIAL OR ENGINE NUMBER 133B00012, 2 WHEEL DRIVE , UP TO SERIAL OR ENGINE NUMBER 233B00045 25 KM/H, 4 WHEEL DRIVE , UP TO SERIAL OR ENGINE NUMBER 133C00101, 2 WHEEL DRIVE , UP TO SERIAL OR ENGIN
- C UP TO SERIAL OR ENGINE NUMBER 133B00003, 2 WHEEL DRIVE , UP TO SERIAL OR ENGINE NUMBER 233B00036 25 KM/H, 4 WHEEL DRIVE , UP TO SERIAL OR ENGINE NUMBER 133C00044, 2 WHEEL DRIVE , UP TO SERIAL OR ENGIN
- D FROM SERIAL OR ENGINE NUMBER 133B00004, 2 WHEEL DRIVE , FROM SERIAL OR ENGINE NUMBER 233B00037 25 KM/H, 4 WHEEL DRIVE , FROM SERIAL OR ENGINE NUMBER 133C00045, 2 WHEEL DRIVE , FROM SERIAL OR ENGINE NU
- E UP TO SERIAL OR ENGINE NUMBER 133B00012, 2 WHEEL DRIVE , UP TO SERIAL OR ENGINE NUMBER 233B00051 25 KM/H, 4 WHEEL DRIVE , UP TO SERIAL OR ENGINE NUMBER 133C00075, 2 WHEEL DRIVE , UP TO SERIAL OR ENGIN
- F FROM SERIAL OR ENGINE NUMBER 133B00013, 2 WHEEL DRIVE , FROM SERIAL OR ENGINE NUMBER 233B00052 25 KM/H, 4 WHEEL DRIVE , FROM SERIAL OR ENGINE NUMBER 133C00076, 2 WHEEL DRIVE , FROM SERIAL OR ENGINE NU
- H FROM SERIAL OR ENGINE NUMBER 133A00149, 2 WHEEL DRIVE , FROM SERIAL OR ENGINE NUMBER 233A00424, 4 WHEEL DRIVE , UP TO SERIAL OR ENGINE NUMBER 133C00365, 2 WHEEL DRIVE , UP TO SERIAL OR ENGINE NUMBER 2
- I UP TO SERIAL OR ENGINE NUMBER 133A00420, 2 WHEEL DRIVE , UP TO SERIAL OR ENGINE NUMBER 233C00929, 4 WHEEL DRIVE
- L FROM SERIAL OR ENGINE NUMBER 133A00421, 2 WHEEL DRIVE , FROM SERIAL OR ENGINE NUMBER 233C00930, 4 WHEEL DRIVE

ACCESSORIES AND APPLICATION MISCELLANEOUS

Frutteti 530 F-L-V 5530F



INDUCTION MANIFOLD AND AIR FILTER



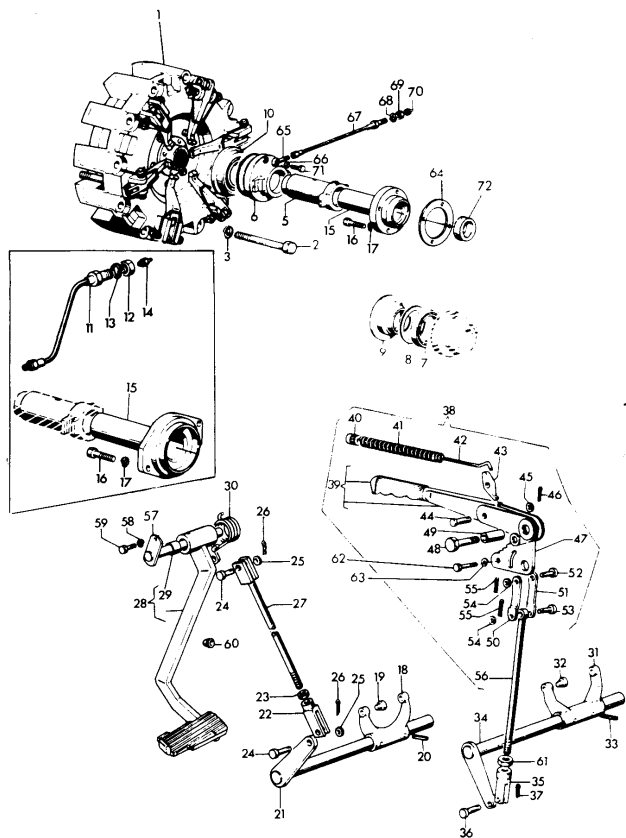
- 34 3307669M91 1 CLAMP
- ! THIS IS A COMPONENT OF AN ASSEMBLY
- ➔ FROM SERIAL OR ENGINE NUMBER
- ➔ UP TO SERIAL OR ENGINE NUMBER
- A USED WHEN THE HEATER IS NOT FITTED
- B NOT SERVICED - ORDER APPROPRIATE FILTER

ACCESSORIES AND APPLICATION MISCELLANEOUS

Frutteti 530 F-L-V 5530F



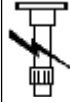
CLUTCH CONTROL



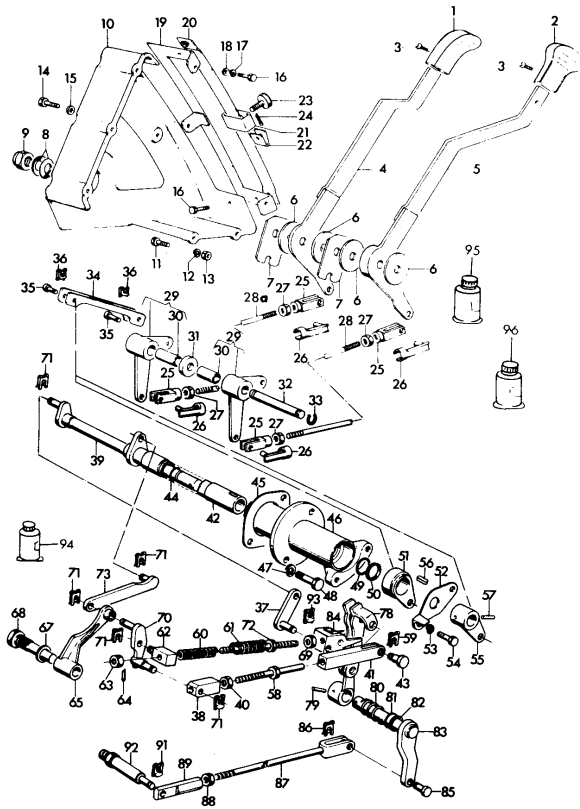
15	3305040M1	●	3305040M4 (1)	1	BEARER
		→			
			C		
16	339761X1	→		3	SCREW
			C		
16	339761X1	→		3	SCREW
			B		
			B		
16	339814X1	→		2	SCREW
			B		
17	1440314X1	→		3	WASHER
			B		
			B		
17	1440314X1	→		3	WASHER
			C		
17	1440314X1	→		2	WASHER
			B		
18	1824623M1	●	N.L.S. (1)	1	CLEVIS
19	973144M1			2	PLUG
20	394131X1			2	PIN
21	3303676M91	●	3534207M92 (1) 393361X1 (1) 3534198M3 (1)	1	SHAFT
22	1824305M1	●	1824305M2 (1)	1	FORK
23	1442577X1			1	NUT
24	975528M1			2	PIN
25	390734X1			2	WASHER
26	390446X1			2	PIN
27	3303675M92			1	ROD
28	3303734M91	●	3532883M91 (1)	1	TREADLE

ACCESSORIES AND APPLICATION MISCELLANEOUS

Frutteti 530 F-L-V 5530F



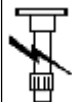
LIFT CONTROL



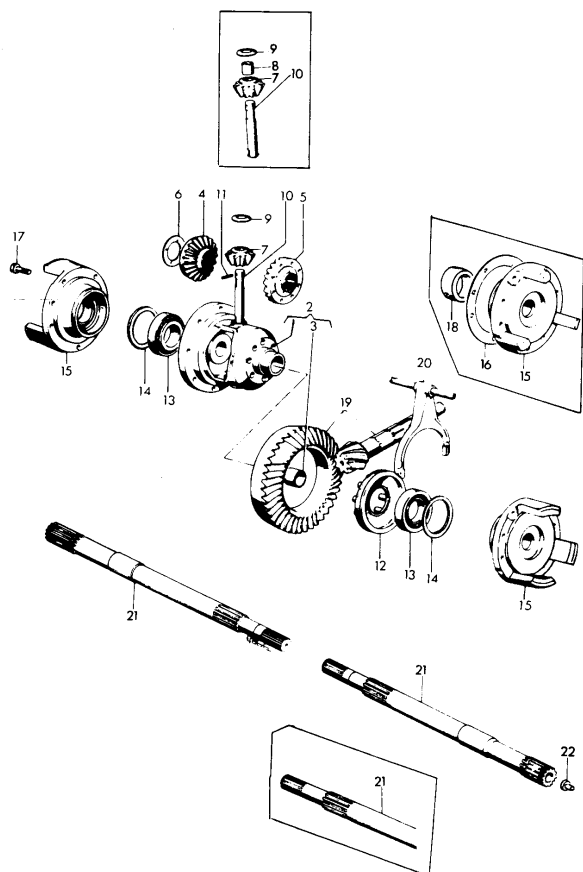
27	339030X1	●	1441500X1 (4)	4	NUT BSF
28	3303333M1	➔	13300306/23300790	1	ROD
28	3303333M1	➔	13300305/23300789	2	ROD
28	3530391M1	➔	13300306/23300790	1	ROD
			ITEM 28A		
29	3307424M91			2	LEVER
30	3303328M1	●	N.L.A. (2)	2	BUSH
		!	29		
31	3303336M1			3	SPACER
32	3303338M1			1	CLEVIS PIN
33	339422X1			2	CIRCLIP
34	3304359M91			2	PLATE
35	3307520M1			4	CLEVIS PIN
36	3308153M1			4	RETAINER
37	3306400M91	●	3306400M92 (1)	1	LEVER
38	3306393M1	●	3306393M3 (1)	1	REGULATOR
39	3306412M91	●	3306412M92 (1)	1	SHAFT
40	392309X1			1	NUT BSF
41	3308789M1			1	FORK
42	3307361M1			1	SHAFT
43	3307342M1			1	PIN
44	3531094M1	●	1007240M1 (1)	1	O RING
45	1825314M1			1	GASKET
46	3306409M2	●	N.L.A. (1)	1	HOLDER
47	1440313X1	●	339374X1 (2)	2	WASHER
48	339761X1			2	SCREW
49	3531001M1	●	3019917X1 (1)	1	O RING

ACCESSORIES AND APPLICATION MISCELLANEOUS

Frutteti 530 F-L-V 5530F



DIFFERENTIAL



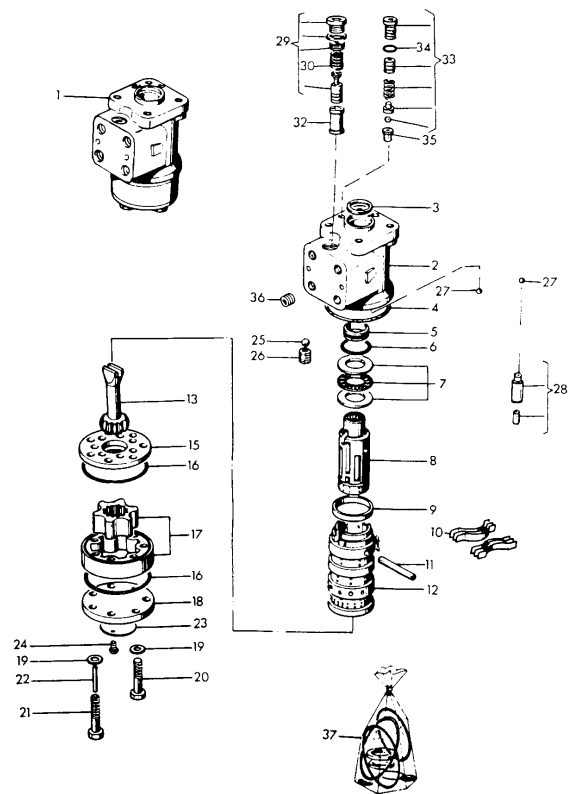
2	1423571M92	●	3654024M92 (1) 3654025M91 (1)	1	HOUSING
3	1423573M1	!	2	2	BUSH
4	1423574M1	●	1423574M2 (1) 20	1	PINION
5	1423575M1	●	1423575M2 (1) 20	1	PINION
6	1423576M2			2	WASHER
7	1423577M91	●	3307184M2 (4) 3307224M1 (2) 133C00165/233C004 57	2	SUN GEAR
7	3307224M1	→	133C00166/233C004 58	2	PINION
8	974817M1	!	7 133C00165/233C004 57	1	BUSH
9	1423579M2			2	PLATE
10	1423580M1	→	133C00165/233C004 57	1	CLEVIS PIN
10	3307184M1	●	3307184M2 (1) 133C00166/233C004 58	1	CLEVIS PIN
11	395557X1			1	DOWEL
12	1423582M92			1	SLEEVE
13	339439X1			2	BEARING
14	982572M1	⊗	0,10 MM.	999	SHIM
14	982573M1	●	N.L.A. (999) 0,15 MM.	999	SHIM
14	982574M1	●	982572M1 (4995) 0,50 MM.	999	SHIM
15	3302701M2	B		2	SUPPORT
15	3304934M2	●	3304934M4 (2) A B	2	HOLDER
16	1824683M2	B		2	GASKET

ACCESSORIES AND APPLICATION MISCELLANEOUS

Frutteti 530 F-L-V 5530F



STEERING CONTROL VALVE



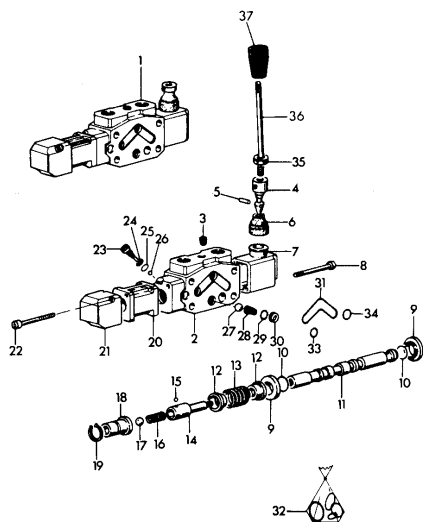
1	3305964M92		1	DISTRIBUTOR
2	3305964M92	▶	1	HOUSING
3	1887719M1	!	1	SEAL
			B	
4	1806314M1	!	1	SEAL
			B	
5	1887717M1	!	1	SEAL
			B	
6	1887718M1	!	1	SEAL
			B	
7	1894414M91	!	1	BEARING
8	3305964M92	▶	1	VALVE
9	1806303M1	!	1	BUSH
10	1894415M1	!	1	SPRING
11	1806310M1	!	1	PIN
12	3305964M92	▶	1	HOUSING
13	1806416M1	!	1	SHAFT
15	1806319M1	!	1	PLATE
16	1806315M1	!	1	SEAL
			B	
17	1895933M91	!	1	ROTOR
18	1806316M1	!	1	CAP
19	1806317M1	!	1	WASHER
			B	
20	1895935M1	!	1	SCREW
21	1895934M1	!	1	SCREW
22	1806312M1	!	1	PIN
23	1890402M1	!	1	PLATE
24	1806318M1	!	1	SCREW
25	1806311M1	!	1	BALL
26	1806313M1	!	1	SEAT
27	1897434M1	!	1	BALL

ACCESSORIES AND APPLICATION MISCELLANEOUS

Frutteti 530 F-L-V 5530F



AUXILIARY DISTRIBUTOR



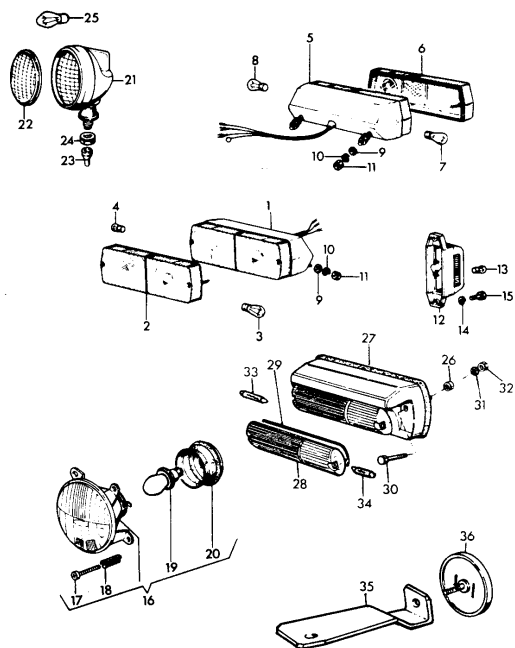
- 35 3305185M1 1 NUT
- 36 3305467M1 1 LEVER
- 37 3304484M1 1 KNOB
- ! THIS IS A COMPONENT OF AN ASSEMBLY
- ▶ NOT SERVICED, ORDER
- A INCLUDED ON REPAIR KIT 3310518M91

ACCESSORIES AND APPLICATION MISCELLANEOUS

Frutteti 530 F-L-V 5530F



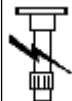
LIGHTS



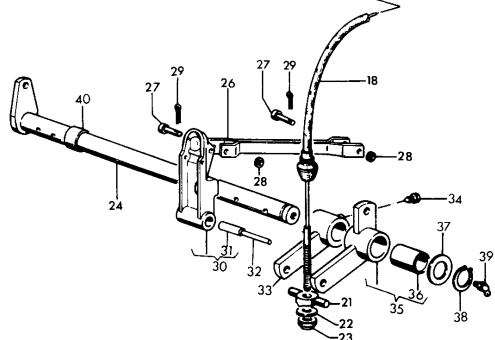
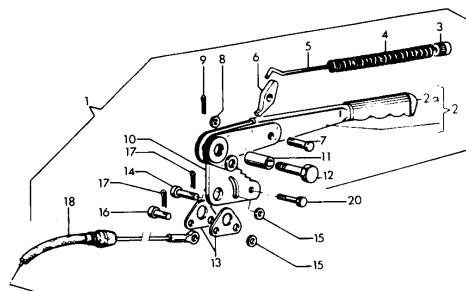
22	1424335M1	!	21	1	WINDOW
23	1424337M1	●	3310604M91 (1)	1	CAP
		!	21		
24	1424336M1	!	21	1	NUT
25	395551X1	!	21	1	BULB
26	3304221M1			8	BUSH
27	969235M1	⊕		1	LIGHT
		▼			
		B			
27	969236M1	⊕		1	LIGHT
		▲			
		B			
28	1807090M1	!	27	2	NAIL, NOTCHED
29	1884340M1	!	27	2	UNIVERSAL
30	1441717X1	!	27	4	SCREW
31	1441808X1	●	393658X1 (4)	4	WASHER
		!	27		
32	390995X1	!	27	4	NUT BSF
33	405813M1	⊕		2	BULB
		B			
34	406219M1	⊕		2	BULB
		B			
35	3305835M1	⊕		2	SUPPORT
		B			
36	1426901M92	⊕		2	REFLECTOR

ACCESSORIES AND APPLICATION MISCELLANEOUS

Frutteti 530 F-L-V 5530F



HAND BRAKE



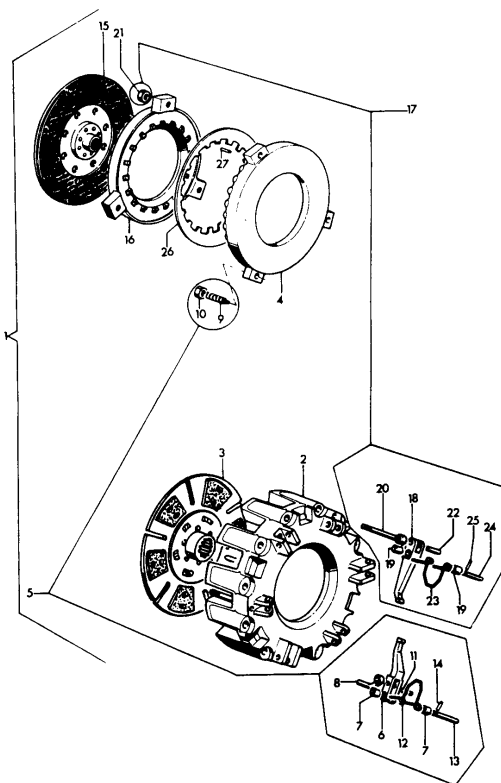
1	3303483M91	●	N.L.A. (1)	1	BRAKE
2	1424858M1	!	2	1	GRIP
			ITEM 2A		
2	3301276M91	!	1	1	LEVER
3	1424868M1	!	1	1	BUTTON
4	1424859M1	!	1	1	SPRING
5	1424860M1	!	1	1	STEM
6	1424869M2	!	1	1	PAWL
7	1424863M1	!	1	1	CLEVIS PIN
8	1424862M1	!	1	1	WASHER
9	390445X1	●	1442962X1 (1)	1	PIN
		!	1		
10	3301267M2	!	1	1	LINING
11	3300994M1	!	1	1	BUSH
12	392769X1	●	395091X1 (1)	1	SCREW
		!	1		
13	3303355M1	●	N.L.A. (2)	2	PLATE
		!	1		
14	392792X1	!	1	1	PIN
15	1440274X1	●	390734X1 (2)	2	WASHER
		!	1		
16	3009827X1	●	N.L.A. (1)	1	CLEVIS PIN
		!	1		
17	3000009X1	●	1442962X1 (2)	2	PIN
		!	1		
18	3303479M91	!	1	1	CABLE
20	339451X1	●	3015039X1 (1)	1	SCREW
21	1824795M1			1	ACTUATOR
22	392940X1	●	1440287X1 (1)	1	WASHER
23	1440329X1			1	LOCKNUT
24	1427361M91	●	3548099M91 (1)	1	SHAFT

ACCESSORIES AND APPLICATION MISCELLANEOUS

Frutteti 530 F-L-V 5530F



DUAL CLUTCH



1	3300000M94	●	3300000M99 (1)	1	CLUTCH
2	3300639M2	●	3311396M1 (1)	1	HOUSING
		!	1		
3	1424123M93	●	3311538M92 (1)	1	DISC
		!	1		
4	3300646M2	●	3300645M2 (1)	1	TRAY
		!	1		
5	3300647M92	●	3311398M91 (1)	1	KIT,REPAIR
		!	1		
6	3300640M92	●	3311398M91 (3)	3	LEVER
		!	5		
7		!	5	6	BUSH
		▣	3300647M92		
8	3300641M1	!	5	3	STEM
9	3300657M1	!	5	3	SCREW
10	1442578X1	●	1441303X1 (3)	3	NUT
		!	5		
11	3300642M1	!	5	3	CLEVIS PIN
12	3300643M1	!	5	3	SPRING
13	3300644M1	!	5	3	CLEVIS PIN
14	3000042X1	●	1441726X1 (3)	3	PIN
		!	5		
15	1424135M91	●	1424135M93 (1)	1	DISC
		!	1		
16	3300650M2	!	1	1	SUPPORT
17	3300651M91	●	3311539M91 (999)	999	PACKING
		!	1		
18	3300648M91	●	3311539M91 (3)	3	LEVER
		!	17		
19		!	17	6	BUSH
		▣	3300651M91		
20	3300649M1	!	17	3	STEM
21	3300652M1	!	17	3	NUT

CLICK HERE TO **DOWNLOAD** THE COMPLETE MANUAL

- Thank you very much for reading the preview of the manual.
- You can download the complete manual from: [www.heydownloads.com](http://www.heydownloads.com) by clicking the link below



- Please note: If there is no response to CLICKING the link, please download this PDF first and then click on it.

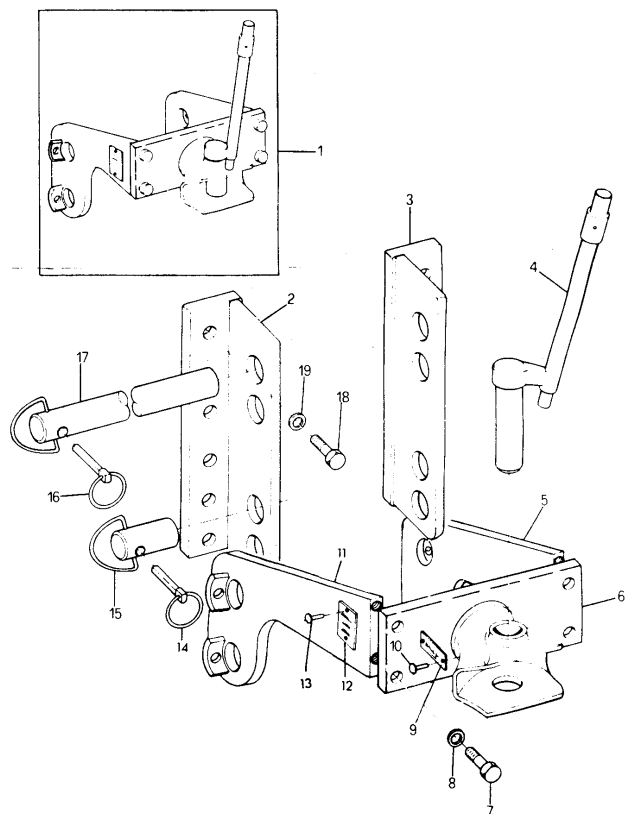
CLICK HERE TO **DOWNLOAD** THE COMPLETE MANUAL

ACCESSORIES AND APPLICATION MISCELLANEOUS

Frutteti 530 F-L-V 5530F



REAR HOOK



1	3193263M1		1	HOOK
2	3102044M1	▲	1	PLATE
3	3102045M1	▼	1	PLATE
4	3188484M1	●	N.L.A. (1)	PIN
		!	1	
5	3102039M1	!	1	PLATE
		▼		
6	3102037M1	!	1	PLATE
7	3009132X1	●	391334X1 (4)	SCREW
		!	1	
8	3006123X1	●	1440267X1 (4)	WASHER
		!	1	
9	3102043M91	!	6	PLATE
10	339603X1	!	6	PIN
11	3102038M1	!	1	PLATE
		▲		
12	3102042M91	!	11	PLATE
13	339603X1	!	11	PIN
14	3100478M1	●	3670719M91 (2)	CLEVIS PIN
		!	1	
15	3102436M1	!	1	PIN
16	3100478M1	●	3670719M91 (1)	CLEVIS PIN
		!	1	
17	3102040M1	!	1	CLEVIS PIN
18	390419X1		12	BOLT
19	391414X1		12	WASHER

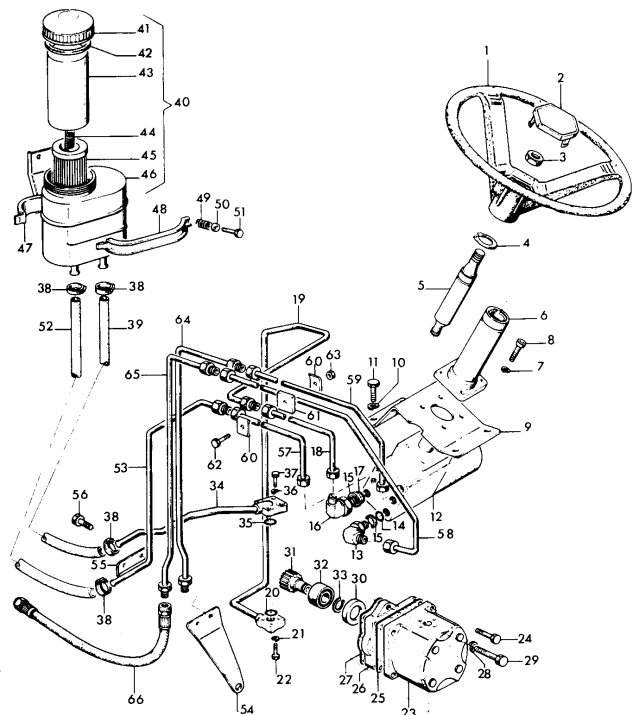
! THIS IS A COMPONENT OF AN ASSEMBLY  
 ▲ LEFT HAND  
 ▼ RIGHT HAND

ACCESSORIES AND APPLICATION MISCELLANEOUS

Frutteti 530 F-L-V 5530F



STEERING HYDRAULIC EQUIPMENT



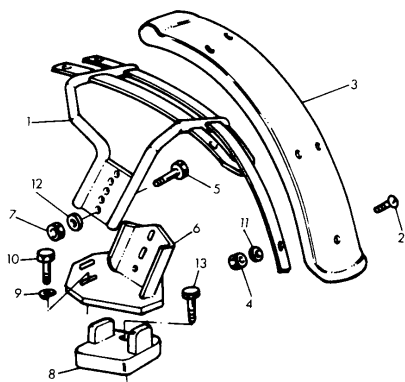
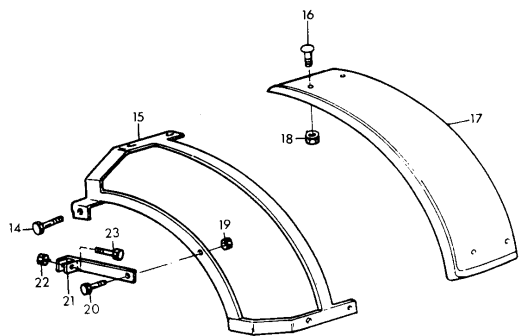
- 67 395515X1 ● 3533937M1 (1) 1 CLAMP
- ! THIS IS A COMPONENT OF AN ASSEMBLY
- ➔ FROM SERIAL OR ENGINE NUMBER
- ⬇ UP TO SERIAL OR ENGINE NUMBER
- 👁 SEE PAGE - REFERENCE NUMBER
- 🚫 NOT SERVICED, ORDER
- A FROM SERIAL OR ENGINE NUMBER 13300002, 2 WHEEL DRIVE ,  
FROM SERIAL OR ENGINE NUMBER 23300104, 4 WHEEL DRIVE ,  
UP TO SERIAL OR ENGINE NUMBER 133C00130, 2 WHEEL  
DRIVE , UP TO SERIAL OR ENGINE NUMBER 233
- B FROM SERIAL OR ENGINE NUMBER 133C00131, 2 WHEEL DRIVE  
, FROM SERIAL OR ENGINE NUMBER 233C00396, 4 WHEEL  
DRIVE
- ⚙ 4 WHEEL DRIVE
- ⚙ 2 WHEEL DRIVE

ACCESSORIES AND APPLICATION MISCELLANEOUS

Frutteti 530 F-L-V 5530F



FRONT FENDERS



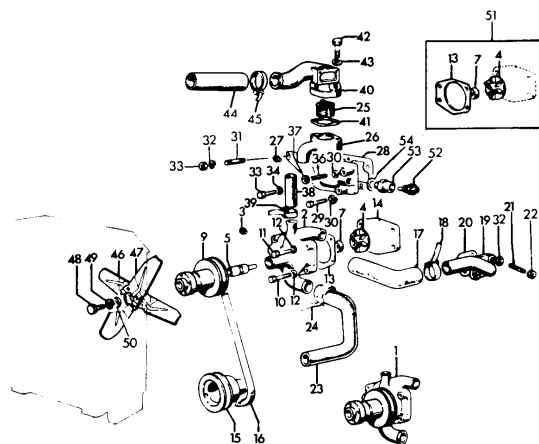
1	3307973M91	●	3548452M91 (1)	1	SUPPORT
		▲	B E		
1	3307974M91	●	3548453M91 (1)	1	SUPPORT
		▲	B E		
1	3307982M91	●	3548450M91 (1)	1	SUPPORT
		▲	A E		
1	3307983M91	▶		1	SUPPORT
			A E		
2	3001197X1		A B E	10	SCREW
3	3309145M1		B E	2	FENDER
3	3309149M1		A E	2	FENDER
4	392310X1		A B E	10	NUT BSF
5	391375X1		A B E	4	SCREW
6	3307993M91	◀	A B E	1	SUPPORT
			A B E		
6	3307994M91	▶		1	SUPPORT
			A B E		

ACCESSORIES AND APPLICATION MISCELLANEOUS

Frutteti 530 F-L-V 5530F



WATER PUMP AND FAN



1	U5MW0023	●	U5MW0097 (1)	1	PUMP
2		▢	U5MW0023	1	BODY
3	2431A054	●	0650586 (1)	1	PLUG
4		!	1	1	IMPELLER
		▢	89019		
			A		
5		!	1	1	SHAFT
		▢	89019		
7	2418M001	●	N.L.A. (1)	1	SEAL
		!	1		
			A		
9	31145741			1	PULLEY
10	0748419			3	SCREW
11	2232133			1	SCREW
12	2411152			4	WASHER
13	0490484	●	36862604 (1)	1	UNIVERSAL
			A		
14	0941183	●	3623H004 (1)	1	PLATE
15		◊	4	1	PULLEY
16	2612421	●	2614B647 (1)	1	BELT
		▢	U704746J		
16	2614B147	●	2614B647 (1)	1	BELT
		▢	U704747J		
17	U5MH0001			1	KIT
18	0180067	●	21825198 (2)	2	CLIP
		!	17		
19	37736242	●	3765K041 (1)	1	CONNECTION
20	0490486	●	3686J003 (1)	1	UNIVERSAL
21	0826214			2	STUD

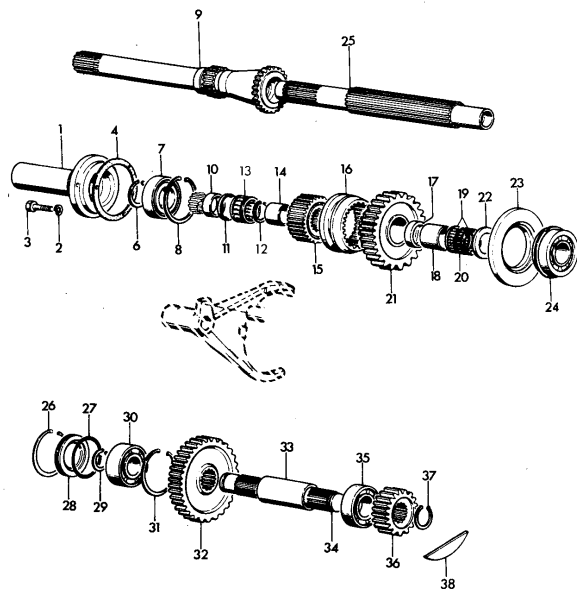


ACCESSORIES AND APPLICATION MISCELLANEOUS

Frutteti 530 F-L-V 5530F



REDUCER



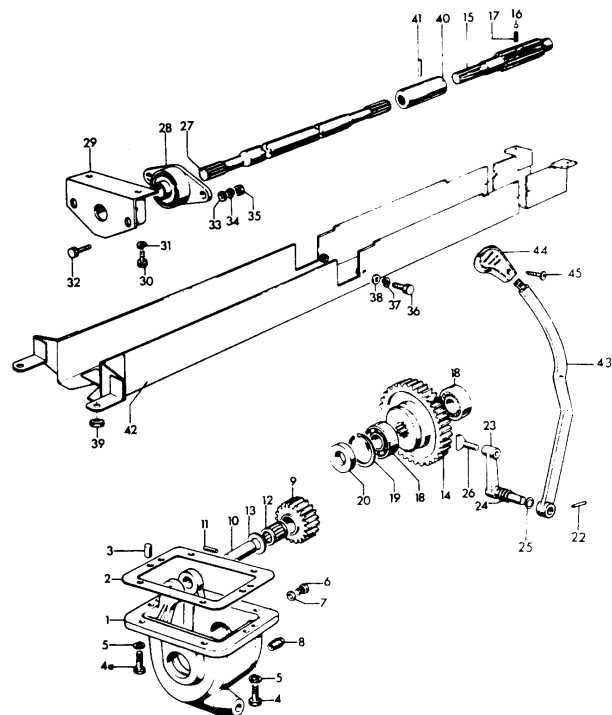
1	3305040M1	●	3305040M4 (1)	1	SHAFT
		◊	84		
2	339761X1	◊	84	3	SCREW
3	1440314X1	◊	84	3	WASHER
4	3305041M1	●	3305041M2 (1)	1	UNIVERSAL
		◊	86		
6	339820X1			1	CIRCLIP
7	339818X1			1	BEARING
8	339437X1			1	CIRCLIP
9	3305046M1			1	SHAFT
10	1442903X1			1	GASKET
11	3305063M1			1	WASHER
12	3006803X1			1	CIRCLIP
13	3304944M1			1	BEARING NE
14	3305062M1	●	3305062M2 (1)	1	BUSH
15	3305060M1	■	27	1	GEAR
16	3305093M2			1	SLEEVE
17	3305059M1			1	WASHER
18	392517X1			1	BUSH
19	3305055M1			2	BEARING NE
20	3305056M1			1	WASHER
21	3305054M1	■	40	1	GEAR
22	2714111M1			1	WASHER
23	3305836M1			1	FLANGE
24	831789M1	◊	92	1	BEARING
25	3305053M1	◊	92	1	SHAFT
26	1443524X1			1	CIRCLIP
27	3305049M1			1	O RING
28	3305048M1	●	3305048M2 (1)	1	COVER
29	339469X1			1	SEGMENT
30	339818X1			1	BEARING
31	339437X1			1	CIRCLIP

ACCESSORIES AND APPLICATION MISCELLANEOUS

Frutteti 530 F-L-V 5530F



TRANSFER GEAR BOX



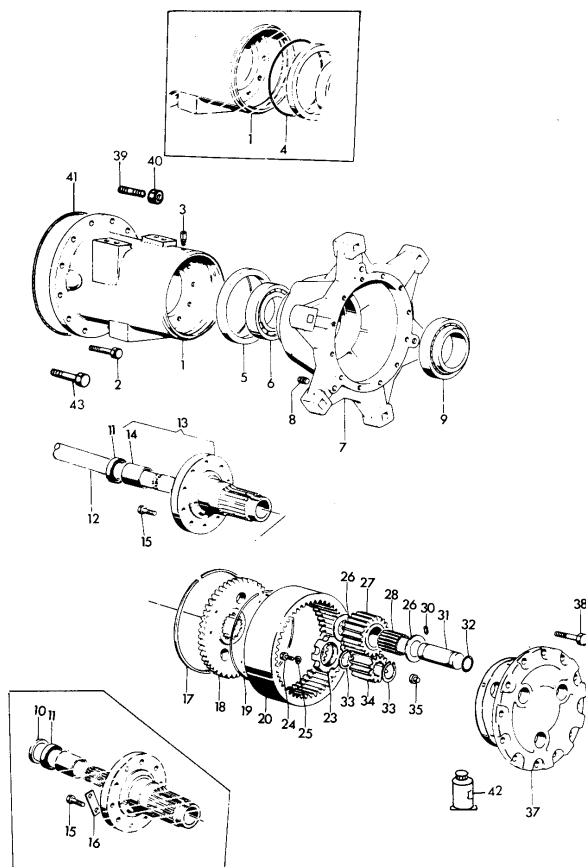
- |    |            |                  |   |              |
|----|------------|------------------|---|--------------|
| 1  | 1423666M4  |                  | 1 | HOUSING      |
| 2  | 1423504M1  |                  | 1 | GASKET       |
| 3  | 1440690X1  |                  | 2 | PIN          |
| 4  | 339451X1   | ● 3015039X1 (5)  | 5 | SCREW        |
| 4  | 339814X1   | ITEM 4A          | 1 | SCREW        |
| 5  | 1440314X1  |                  | 6 | WASHER       |
| 6  | 392757X1   |                  | 1 | PLUG         |
| 7  | 1444744X1  |                  | 1 | GASKET       |
| 8  | 392735X1   |                  | 1 | PLUG         |
| 9  | 1423667M2  |                  | 1 | PINION       |
| 10 | 1423668M1  | ● 3532145M1 (1)  | 1 | CLEVIS PIN   |
| 11 | 395557X1   |                  | 1 | DOWEL        |
| 12 | 1442548X1  |                  | 1 | BEARING      |
| 13 | 392733X1   |                  | 2 | WASHER       |
| 14 | 1423669M2  |                  | 1 | PINION       |
| 15 | 1423670M1  |                  | 1 | CLEVIS PIN   |
| 16 | 361030X1   |                  | 1 | BALL         |
| 17 | 1823610M1  |                  | 1 | SPRING       |
| 18 | 1440494X1  |                  | 2 | BEARING BALL |
| 19 | 1440479X1  |                  | 1 | CIRCLIP      |
| 20 | 3309231M1  |                  | 1 | SEAL         |
| 22 | 1441738X1  |                  | 1 | DOWEL        |
| 23 | 1423671M1  |                  | 1 | LEVER        |
| 24 | 1423672M1  |                  | 1 | SPRING       |
| 25 | 3530996M1  | ● 195868M1 (1)   | 1 | O RING       |
| 26 | 974928M1   |                  | 1 | STRAP        |
| 27 | 3300741M2  |                  | 1 | SHAFT        |
| 28 | 1427376M91 | ● 1440314X1 (2)  | 1 | BEARING      |
|    |            | ● 339018X1 (2)   |   |              |
|    |            | ● 339402X1 (2)   |   |              |
|    |            | ● 3547684M91 (1) |   |              |
|    |            | ● 390734X1 (2)   |   |              |

ACCESSORIES AND APPLICATION MISCELLANEOUS

Frutteti 530 F-L-V 5530F



REAR AXLE HOUSING



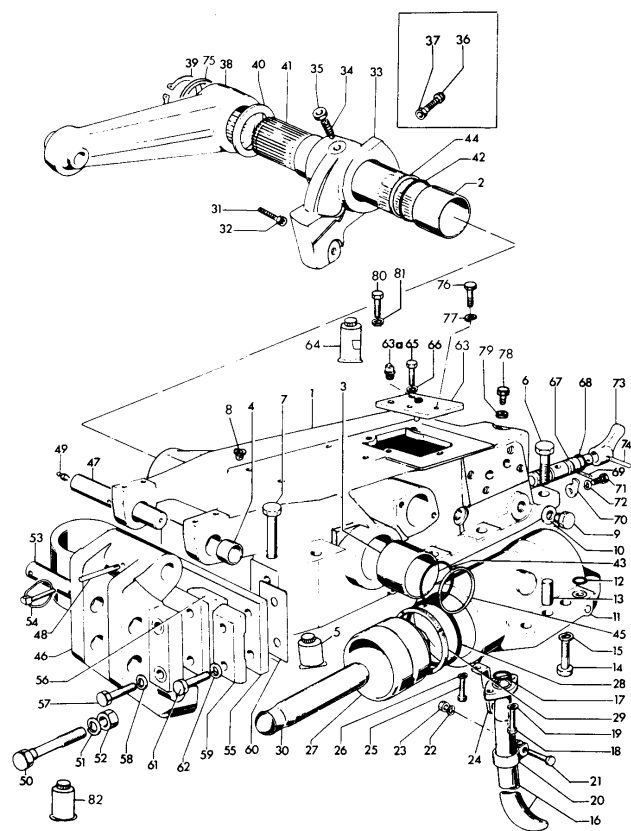
30	392539X1		6	SCREW
31	1823591M3	D 22 Y1 22	6	CLEVIS PIN
31	1823637M3		6	PIN
32	3531015M1	● 364784X1 (6)	6	O RING
33	339322X1		4	SEGMENT
34	1823566M2	▲ 15 D 15 Y1 15	2	GEAR
34	3426112M1	▲ 14	2	GEAR
35	3303308M1		2	PIN
37	1423781M2	D 14 Y1 14	2	HOUSING
37	3304020M1		2	PLANET CAR
38	1441134X1		24	SCREW
39	3304695M1	A B	4	SCREW
40	339079X1	A B	4	NUT
41	3304650M1	A B	2	O RING
42	3308788M1	CC. 250	999	LOCTITE
43	3304694M1	A B	4	SCREW

ACCESSORIES AND APPLICATION MISCELLANEOUS

Frutteti 530 F-L-V 5530F



HYDRAULIC LIFT



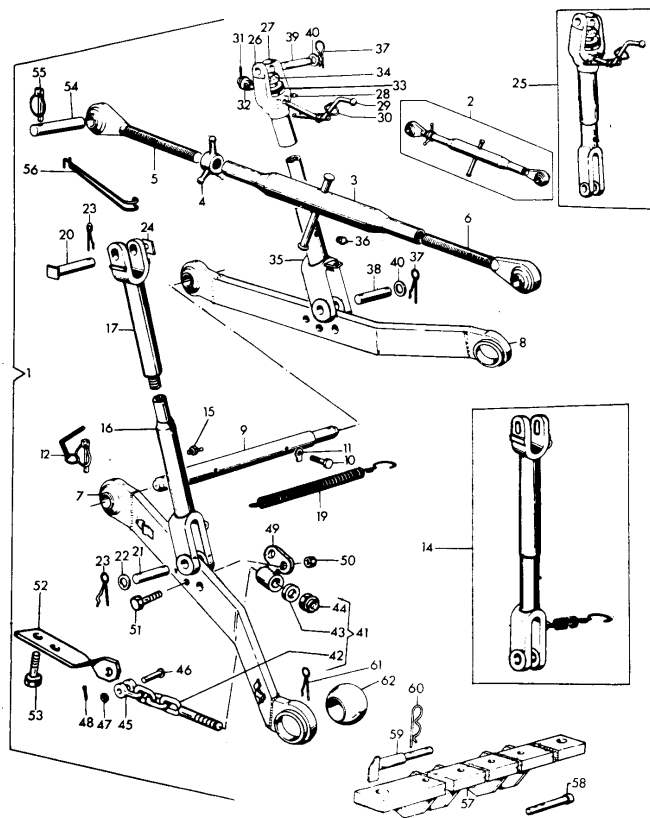
- |    |            |  |   |         |
|----|------------|--|---|---------|
| 15 | 391414X1   |  | 4 | WASHER  |
| 16 | 3303911M91 |  | 1 | PIPE    |
| 17 | 3531015M1  | ● 364784X1 (1)                             | 1 | O RING  |
| 18 | 339761X1   |  | 2 | SCREW   |
| 19 | 1440313X1  | ● 339374X1 (2)                             | 2 | WASHER  |
| 20 | 1825277M1  | ● 3548972M1 (1)                            | 1 | CLIP    |
| 21 | 339761X1   |  | 1 | SCREW   |
| 22 | 1440313X1  | ● 339374X1 (1)                             | 1 | WASHER  |
| 23 | 339169X1   | ● 394367X1 (1)                             | 1 | NUT BSF |
| 24 | 1825276M1  |  | 1 | CLAMP   |
| 25 | 339123X1   |  | 1 | SCREW   |
| 26 | 1440313X1  | ● 339374X1 (1)                             | 1 | WASHER  |
| 27 | 1825284M1  |  | 1 | PISTON  |
| 28 | 3531098M1  | ● 3019929X1 (1)                            | 1 | O RING  |
| 29 | 395590X1   |  | 1 | RING    |
| 30 | 1425326M1  |  | 1 | STEM    |
| 31 | 1425359M1  |  | 2 | SCREW   |
| 32 | 392310X1   |  | 2 | NUT BSF |
| 33 | 1425325M1  | ● N.L.A. (1)<br>133A00184/233A005<br>14    | 1 | CONROD  |
| 33 | 3306405M3  | ● 3306405M6 (1)<br>133A00185/233A005<br>15 | 1 | LEVER   |
| 34 | 395588X1   |  | 1 | SCREW   |
| 35 | 339186X1   |  | 1 | NUT BSF |
| 36 | 1825294M1  | ┆  | 1 | SCREW   |
| 37 | 392309X1   | ┆  | 1 | NUT BSF |
| 38 | 3303340M92 |  | 2 | ARM     |

ACCESSORIES AND APPLICATION MISCELLANEOUS

Frutteti 530 F-L-V 5530F



LINKAGE



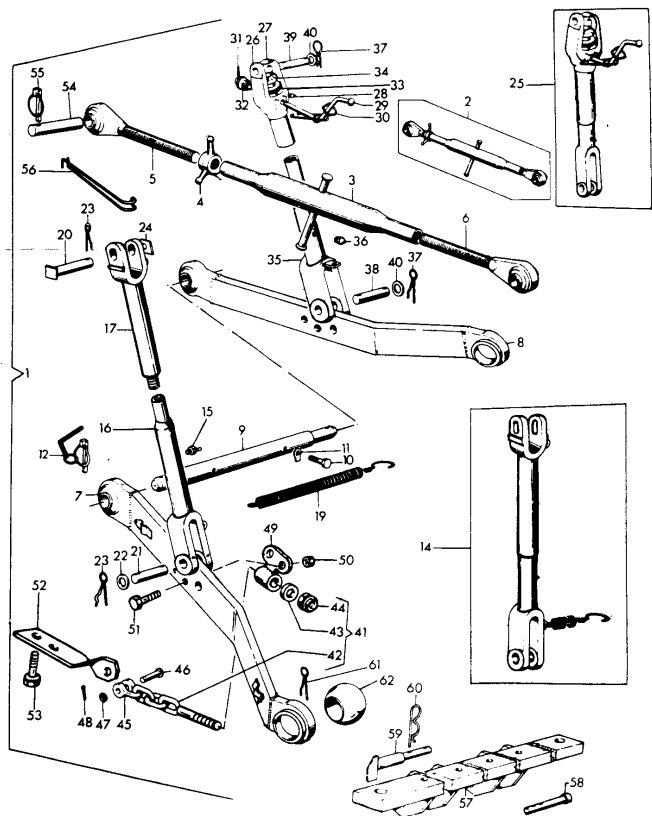
8	3307288M91	●	3307288M92 (1)	1	LINK
		!	1		
		▲	A		
9	1423696M2	!	1	1	PIN
			Y1		
10	339018X1	!	1	2	BOLT
			Y1		
11	394990X1	●	N.L.A. (2)	2	WASHER
		!	1		
			Y1		
12	1825417M91	A		2	PIN
		Y1			
14	3303393M92	!	1	1	BAR
		▲	A		
			Y1		
15	339608X1	!	14	1	GREASER
			A		
			Y1		
16	3303390M91	●	3304356M91 (1)	1	FORK
		!	14		
			A 14		
			Y1 14		
17	3303391M91	●	3300765M91 (1)	1	FORK
		!	14		
			A		
			Y1		
19	3303830M91	!	14	1	SPRING
			A		
			Y1		
20	3300763M91	●	3667798M91 (1)	1	PIN
		!	3670719M91 (1)		
			1		
			A		
			Y1		

ACCESSORIES AND APPLICATION MISCELLANEOUS

Frutteti 530 F-L-V 5530F



LINKAGE



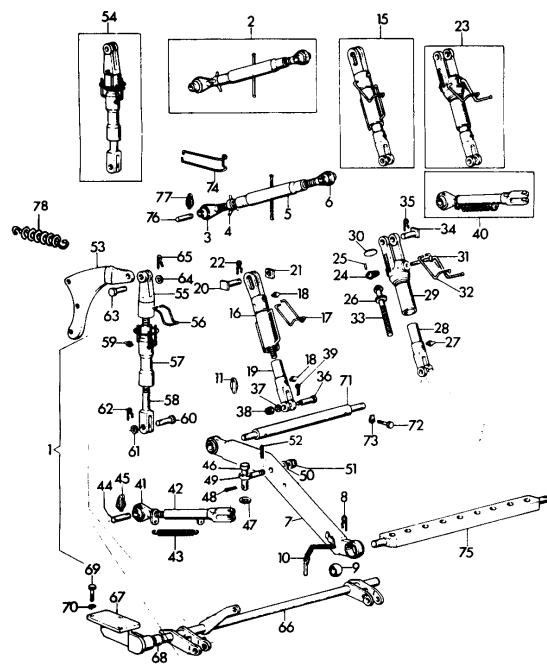
39	3301734M91	●	3667799M91 (1)	1	PIN
		!	3670719M91 (1)		
			1		
			A		
			Y1		
40	395573X1	!	1	2	WASHER
			A		
			Y1		
41	3303758M91	●	1440267X1 (2)	2	CHAIN
		!	1825448M1 (2)		
			1825449M1 (2)		
			3005984X1 (2)		
			3303999M91 (2)		
			339129X1 (2)		
			339617X1 (2)		
			1		
			A		
			Y1		
42	3303999M91	!	41	2	ROD
			A		
			Y1		
43	3005984X1	!	41	2	WASHER
			A		
			Y1		
44	1442653X1	●	339617X1 (2)	2	NUT BSF
		!	41		
			A		
			Y1		
45	1825448M1	!	41	2	SHACKLE
			A		
			Y1		
46	1825449M1	!	41	2	PIN
			A		
			Y1		

ACCESSORIES AND APPLICATION MISCELLANEOUS

Frutteti 530 F-L-V 5530F



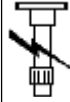
LINKAGE



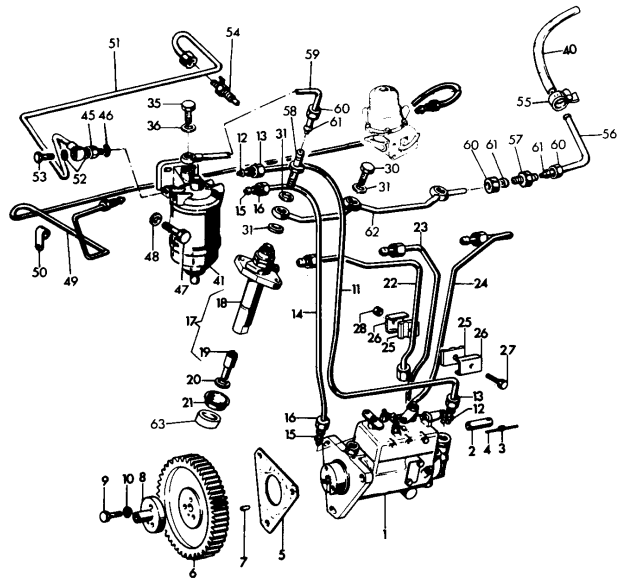
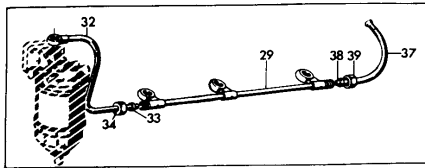
- ! THIS IS A COMPONENT OF AN ASSEMBLY
- ⊕ SEE PAGE - REFERENCE NUMBER
- ⌋ ALTERNATIVE
- ⊕ FOR GERMANY ONLY
- A CAT I
- ◀ LEFT HAND
- ▶ RIGHT HAND
- ⌋ NUMBER OF TEETH/SPLINES
- Y1 NOTA PAGINA ANOMALA

ACCESSORIES AND APPLICATION MISCELLANEOUS

Frutteti 530 F-L-V 5530F



FUEL PIPINGS



45	2658207		1	NON RETURN
46	2411141	● 0920154 (1)	1	WASHER
47	339401X1		2	SCREW
48	390734X1		2	WASHER
49	3308752M91		1	PIPE
50	1825173M1		1	CLIP
51	3308831M91		1	PIPE
52	0920127		2	WASHER
53	0095332	● 732654M1 (1)	1	BOLT
54	2666108	◇ 64	1	INTAKE HEATER
55		◇ 44-46	2	CLAMP
56	3307261M1	➔ U689415J	1	PIPE
57	0206102	➔ U689415J	1	UNION
58	0201526	➔ U689415J	1	UNION
59	3307259M92	➔ U689415J	1	PIPE
60	33225412	● 376521X1 (3) ➔ U689415J	3	NUT BSF
61	33811112	➔ U689415J	3	OLIVE
62	3558X007	➔ U689415J	1	PIPE
63	33813126		3	SPACER

! THIS IS A COMPONENT OF AN ASSEMBLY  
 ➔ FROM SERIAL OR ENGINE NUMBER  
 ⬇ UP TO SERIAL OR ENGINE NUMBER  
 ◇ SEE PAGE - REFERENCE NUMBER  
 ⬆ NUMBER OF TEETH/SPLINES

CLICK HERE TO **DOWNLOAD** THE COMPLETE MANUAL

- Thank you very much for reading the preview of the manual.
- You can download the complete manual from: [www.heydownloads.com](http://www.heydownloads.com) by clicking the link below



- Please note: If there is no response to CLICKING the link, please download this PDF first and then click on it.

CLICK HERE TO **DOWNLOAD** THE COMPLETE MANUAL