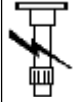


ACCESSORIES MECHANICAL

**X-48  
01**

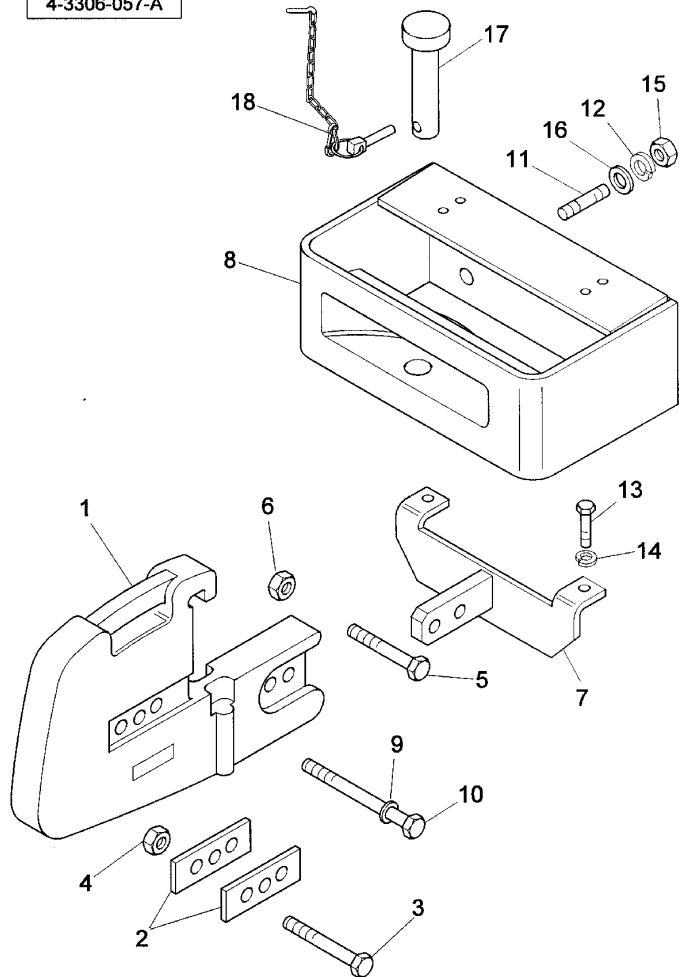
WEIGHT FRAME AND WEIGHTS - FRONT HOOK - UP TO SERIAL N. ...

Atlas- (ATLANTIS) 80



X4801

4-3306-057-A



1	3545835M2	B	6	BALLAST WE
		D		
1	3545835M2	A	8	BALLAST WE
		D		
1	3661179M1	A	8	BALLAST WE
		C		
1	3661179M1	B	6	BALLAST WE
		C		
2	1426054M1		2	PLATE
3	339616X1		1	BOLT
4	392368X1		1	NUT
5	339805X1	M16X100	2	SCREW
6	339034X1		2	NUT
7	3655081M93		1	SUPPORT
8	3655080J9B		1	SUPPORT
9	1441664X1		2	LOCK WASHER
10	1441804X1	B	2	SCREW
		M16X200		
10	392462X1	A	2	SCREW
		M16X250		
11	392301X1		4	SCREW
12	339378X1		4	LOCK WASHER
13	391886X1		2	SCREW
14	1440316X1		2	LOCK WASHER
15	339035X1	● 3009747X1 (4)	4	NUT
16	390735X1		4	WASHER
17	1426023M91		1	PIN
18	1699608M91		1	KIT
A		WITH 8 WEIGHTS		
B		WIYH 6 WEIGHTS		
C		SLATE BLACK		
D		GRAY		

CLICK HERE TO **DOWNLOAD** THE COMPLETE MANUAL

- Thank you very much for reading the preview of the manual.
- You can download the complete manual from: [www.heydownloads.com](http://www.heydownloads.com) by clicking the link below



- Please note: If there is no response to CLICKING the link, please download this PDF first and then click on it.

CLICK HERE TO **DOWNLOAD** THE COMPLETE MANUAL

ACCESSORIES MECHANICAL

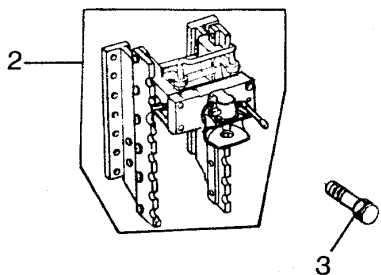
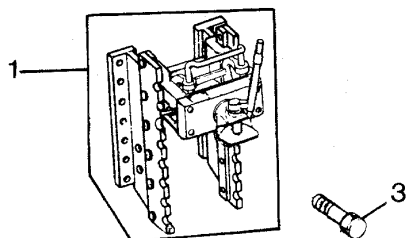
X-48  
11

REAR HOOK - ADJUSTABLE - WITH 7 POSITIONS

Atlas- (ATLANTIS) 80



X4811



- |   |            |   |          |
|---|------------|---|----------|
| 1 | 3538242M92 | A | 1 HOOK   |
| 2 | 3538243M92 | B | 1 HOOK   |
| 3 | 3306129M2  | A | 12 SCREW |
| 3 | 3306129M2  | B | 12 SCREW |
- A STANDARD HITCH  
B AUTOMATIC HITCH

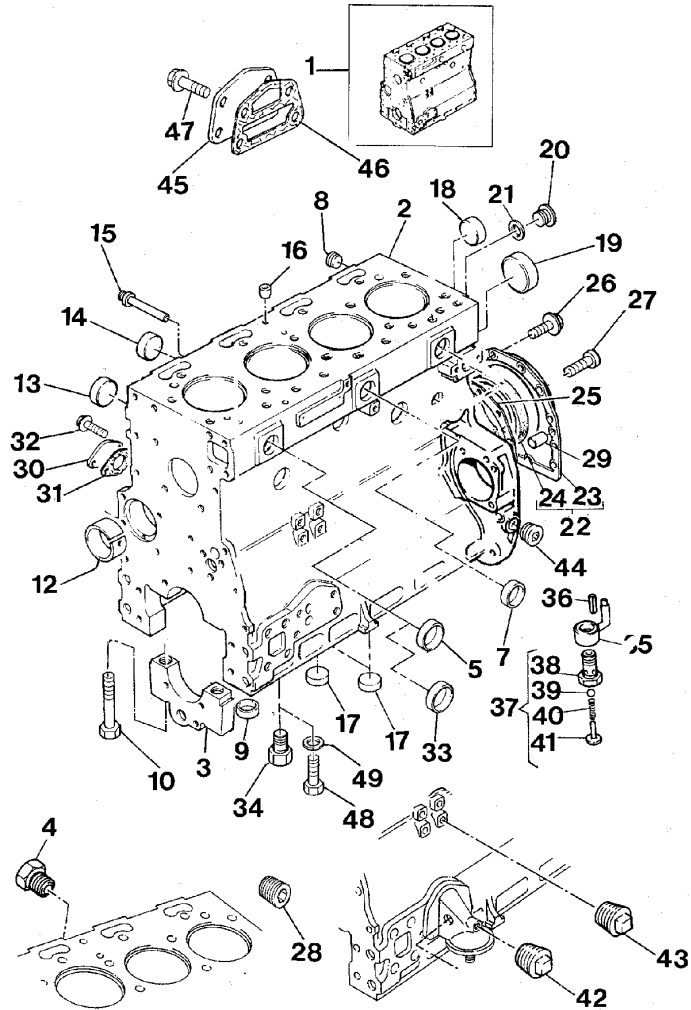
ENGINE

A-05  
03

CYLINDER BLOCK - PLATE F - "1004-42"GREEN ENGINE

Atlas- (ATLANTIS) 80

A0503



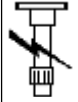
21	3311R003	●	2415D108 (1)	1	WASHER
		!	1		
			N		
22	4142V066			1	FLANGE
23		!	22	1	COVER
		➡	REF.N.22		
24	2418F475	!	22	1	SEAL
			(X) 0.1.2.4		
25	3681T018			1	GASKET
26	2314H003			12	SCREW
27	3212V002			2	SCREW
28	2431154	B		3	PLUG
29	0350009			2	DOWEL
30	36171131	!	1	1	PLATE
31	36832144	!	1	1	GASKET
32	2314H032	!	1	2	SCREW
33	3314A103	!	1	1	PLUG
			C		
34	2487001	!	1	4	PLUG
35	4126X124	●	3861A027 (1)	1	JET
		!	1		
			NO. 1 CYLINDER		
36	2116A022	!	35	1	DOWEL
37	4138A017	!	1	1	VALVE
			NO. 1 CYLINDER		
38		!	37	1	BODY
		➡	REF.N.37		
39	2538753	!	37	1	BALL
40	3174A004	!	37	1	SPRING
41	3271A003	!	37	1	RETAINER
42	0650594			1	PLUG
43	0650594			1	PLUG
44	0650588	!	1	1	PLUG
			N		

ENGINE

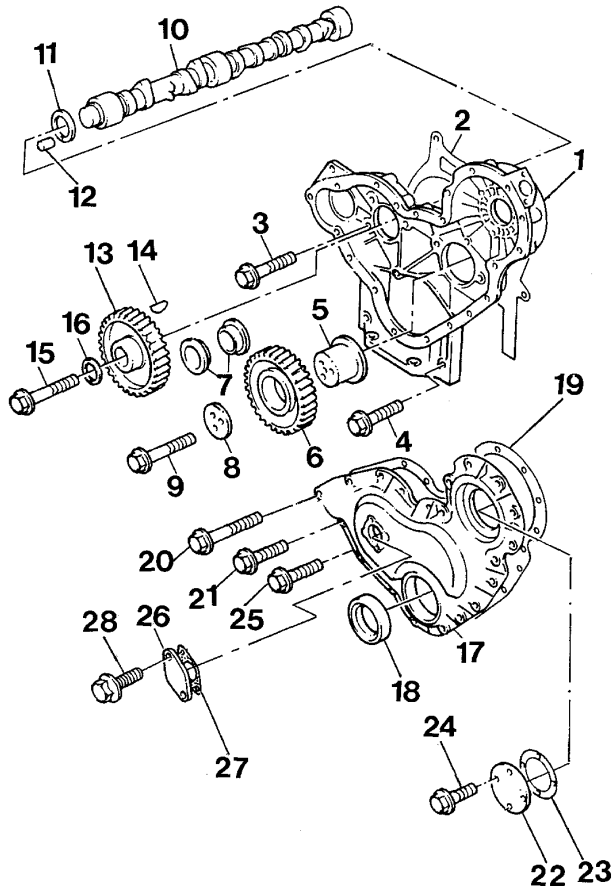
A-05  
07

TIMING GEAR AND CAMSHAFT - PLATE B - "1004-42"GREEN ENGINE

Atlas- (ATLANTIS) 80



A0507



- 26 36171121
- 27 36833163
- 28 2314F032

- 1 BASE PLATE
- 1 GASKET
- 2 SCREW

!

THIS IS A COMPONENT OF AN ASSEMBLY

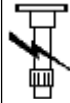
QTY PER TRACTORS SOLD (AA.BBB.CCC.DDD) (AA) FOR  
1,(BBB) 2-10 (CCC) 11-25 (DDD) 26-50

ENGINE

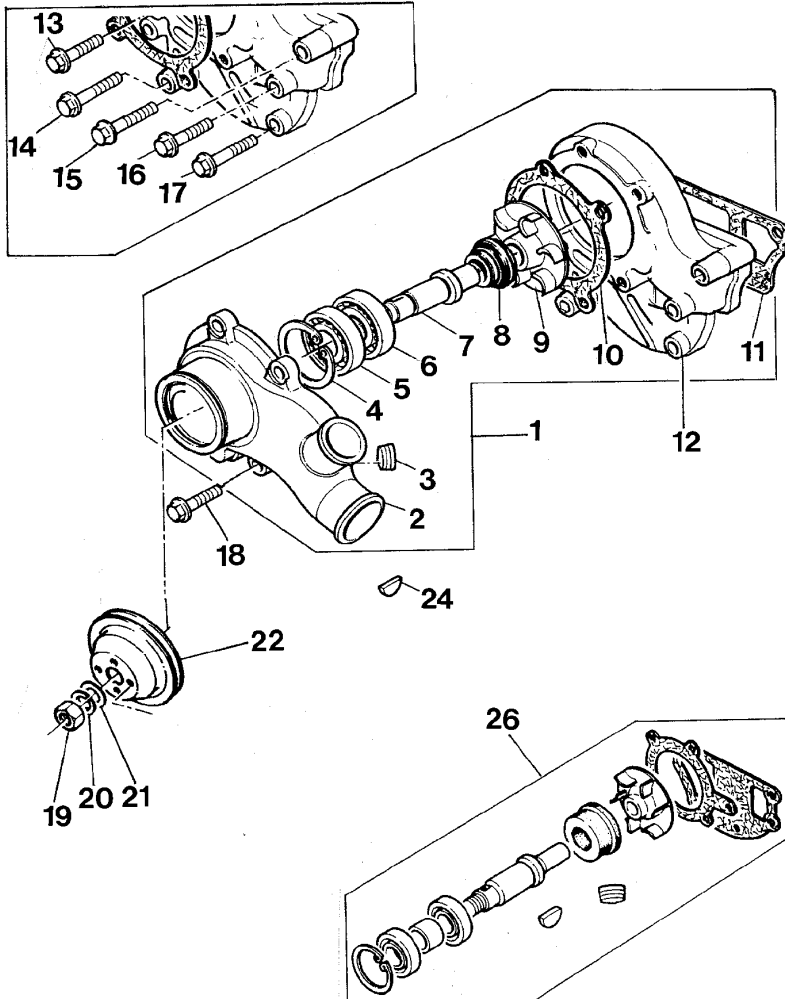
A-05  
14

WATER PUMP, THERMOSTAT AND HEAT EXCHANGER - PLATE E - "1004-42" GREEN ENGINE

Atlas- (ATLANTIS) 80



A0514



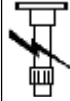
1	U5MW0166	●	U5MW0195 (1)	1	PUMP
			(X) 0.1.2.6		
2		!	1	1	BODY
		▣	REF.N.1		
3	2431154	!	1	1	PLUG
4		!	1	1	RING
		▣	REF.N.26		
5		!	1	1	BEARING
		▣	REF.N.26		
6		!	1	1	BEARING
		▣	REF.N.26		
7		!	1	1	SHAFT
		▣	REF.N.26		
8		!	1	1	RING
		▣	REF.N.26		
9		!	1	1	FAN
		▣	REF.N.26		
10	3682M003	!	1	1	GASKET
			(X) 0.1.2.4		
11	3687M034	!	1	1	GASKET
			(X) 0.1.2.8		
12	3771A112			1	BODY
13	2314J009			1	SCREW
14	2314H005			1	SCREW
15	2314H004			1	SCREW
16	2314J011			1	SCREW
17	2314J005			1	SCREW
18	2314H746			4	SCREW
19	0576007			1	NUT
20	391414X1			1	LOCK WASHER
21	0920009			1	WASHER
22	3113V021			1	PULLEY
24	0500006			1	KEY

ENGINE

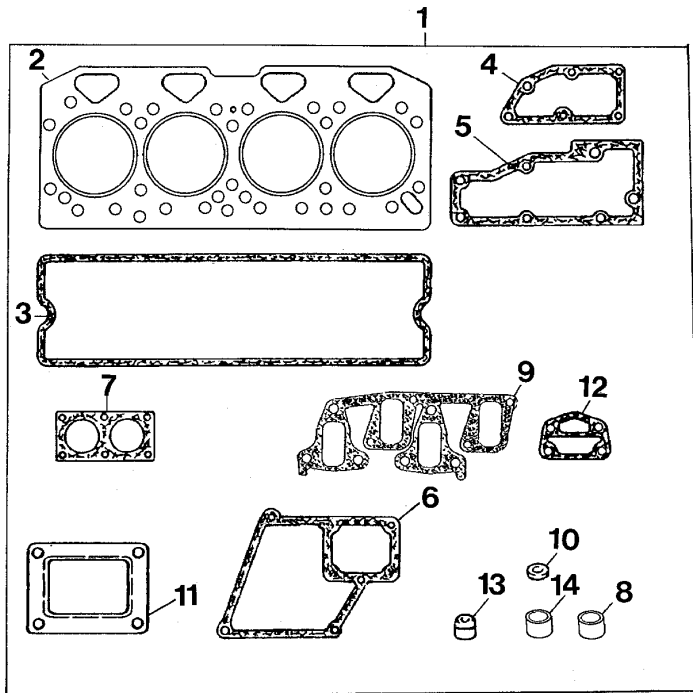
A-05  
22

JOINTS AND GASKETS-TOP SERVICE KIT - PLATE C - "1004-42"GREEN ENGINE

Atlas- (ATLANTIS) 80



A0522



1	U5LT0321	●	U5LT0317 (1)	1	KIT
			A		
			(X) 0.1.2.4		
2	U3681E042	●	3681E042 (1)	1	GASKET
		!	1		
3	U3688X011	●	3681A049 (1)	1	GASKET
		!	1		
4	U3685R009	●	3685R009 (1)	1	GASKET
		!	1		
5	3685A013	!	1	1	GASKET
5	3686D007	!	1	1	GASKET
6	3687M034	!	1	1	GASKET
7	3684N017	!	1	1	GASKET
8	376526X1	!	1	1	SPINNER
9	3688C035	!	1	2	GASKET
9	U3681V012	●	3681V012 (1)	1	GASKET
		!	1		
10	L311FF02	!	1	4	WASHER
11	3688A008	●	3688A029 (1)	1	UNIVERSAL
		!	1		
12	3686L007	!	1	1	UNIVERSAL
13	U2418M505	●	2418M505 (4)	4	SEAL
		!	1		
			EXHAUST		
13	U2418M507	●	2418M507 (4)	4	SEAL
		!	1		
			INLET		
14	376525X1	!	1	1	SPINNER
!			THIS IS A COMPONENT OF AN ASSEMBLY		
A			WITHOUT ASBESTOS		
(X)			QTY PER TRACTORS SOLD (AA.BBB.CCC.DDD) (AA) FOR		
			1,(BBB) 2-10 (CCC) 11-25 (DDD) 26-50		

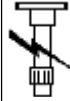
ENGINE ANCILLARY EQUIPMENT

C-32  
05

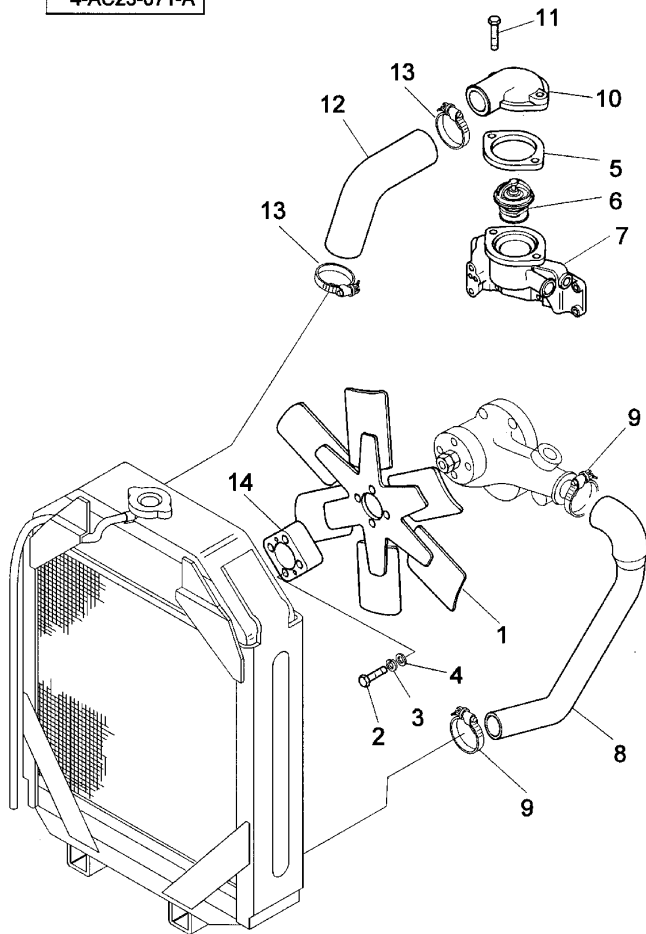
COOLING SYSTEM - ENGINE - FAN AND HOSES

Atlas- (ATLANTIS) 80

C3205



4-AC23-071-A



- |     |  |             |   |             |
|-----|--|-------------|---|-------------|
| 1   | 3538983M91   |             | 1 | FAN         |
| 2   | 353526X1   | ●           | 4 | SCREW       |
| 3   | 1440313X1  | ●           | 4 | LOCK WASHER |
| 4   | 390972X1   |             | 4 | WASHER      |
| 5   | 3651180M1  | ●           | 1 | GASKET      |
| 6   | 3651181M91   | ●           | 1 | VALVE       |
| 7   |  | D           | 1 | MANIFOLD    |
| 8   | 3649081M1  |             | 1 | PIPE        |
| 9   | 3307666M91   | (X) 1.1.3.6 | 2 | CLAMP       |
| 10  | 3649367M1  |             | 1 | COLLET      |
| 11  | 339018X1   |             | 2 | SCREW       |
| 12  | 3649365M1  |             | 1 | SLEEVE      |
| 13  | 3307666M91   | (X) 1.1.3.6 | 2 | CLAMP       |
| 14  | 3559997M1  |             | 1 | SPACER      |
| D   | SUPPLIED BY PERKINS (SEE ENGINE SECTION)   |             |   |             |
| (X) | QTY PER TRACTORS SOLD (AA.BBB.CCC.DDD) (AA) FOR 1,(BBB) 2-10 (CCC) 11-25 (DDD) 26-50 |             |   |             |

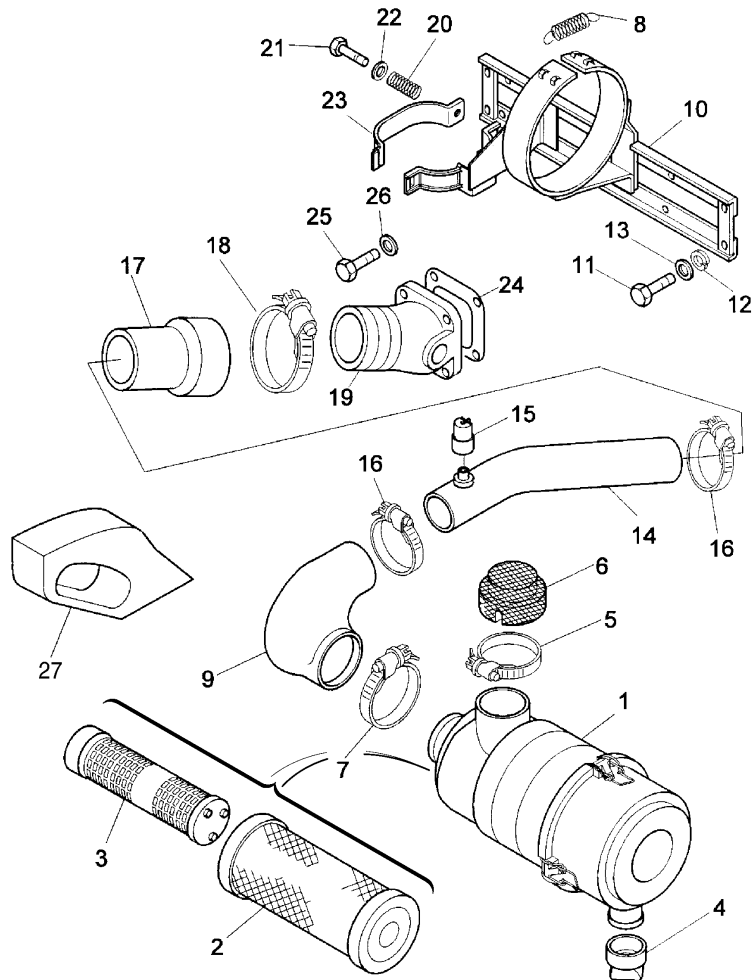
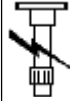
ENGINE ANCILLARY EQUIPMENT

C-32  
10

DRY AIR FILTER - DUAL ELEMENT

Atlas- (ATLANTIS) 80

C3210



1	3543545M91		1	FILTER
2	3540046M1	! 1	1	ELEMENT
3	3540047M1	! 1	1	ELEMENT
4	3540050M1	! 1	1	VALVE
5	3307669M91		1	CLAMP
6	3547030M2		1	CAP
7	3307669M91		1	CLAMP
8	3542903M92		2	SPRING
9	3655231JB		1	SLEEVE
10	3546896M96	● 3546896M97 (1)	1	SUPPORT
11	339560X1		4	SCREW
12	339375X1		4	LOCK WASHER
13	390971X1		4	WASHER
14	3650580M91		1	PIPE
15	3666636M1	● 3534832M92 (1)	1	SWITCH,IND
16	3307668M91	● 3307667M91 (2)	2	CLAMP
17	3650581M1		1	SLEEVE
18	3307669M91		1	CLAMP
19	3649084M2		1	SLEEVE
20	1860174M1		1	SPRING
21	339666X1		2	SCREW
22	390971X1		2	WASHER
23	3300128M1		1	RING
24	3651179M1		1	GASKET
25	339761X1		4	SCREW
26	390972X1		4	WASHER
27	3658884M1		1	GASKET

!

THIS IS A COMPONENT OF AN ASSEMBLY

QTY PER TRACTORS SOLD (AA.BBB.CCC.DDD) (AA) FOR  
1,(BBB) 2-10 (CCC) 11-25 (DDD) 26-50

FENDERS FOOTSTEPS AND PLATFORM

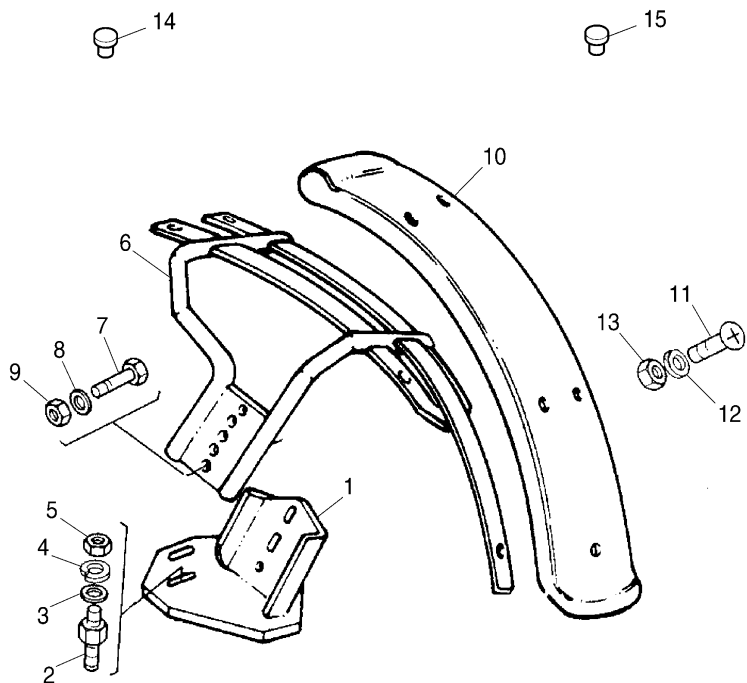
S-22  
013

FENDERS - FRONT - 4 WHEEL DRIVE

Atlas- (ATLANTIS) 80



S22013



4	1440314X1		A	6	LOCK WASHER
			B		
			C		
			D		
			E		
			F		
			G		
			H		
5	392293X1		A	6	NUT
			B		
			C		
			D		
			E		
			F		
			G		
			H		
6	3309370M91		A	1	FRAME
			B		
			C		
			D		
			E		
6	3309377M91		A	1	FRAME
			B		
			C		
			D		
			E		
6	3531151M91		A	1	FRAME
			B		
			C		
			D		
			E		
			F		
			G		
			H		

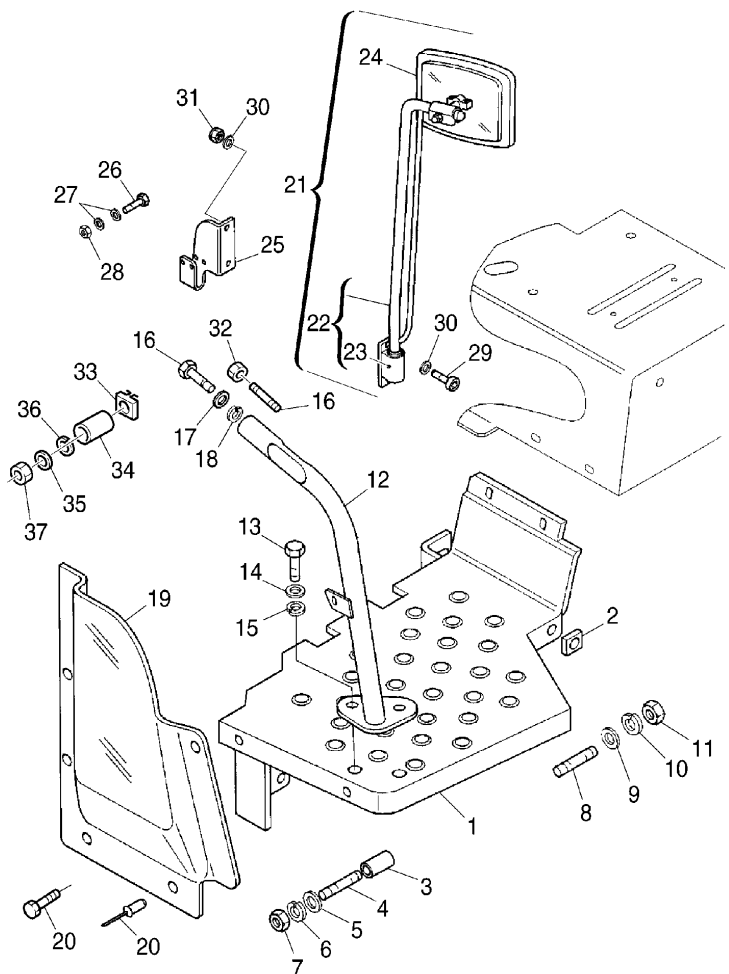
FENDERS FOOTSTEPS AND PLATFORM

S-22  
02

FENDERS AND PLATFORM

Atlas- (ATLANTIS) 80

S2202



- ! THIS IS A COMPONENT OF AN ASSEMBLY
- ➔ FROM SERIAL OR ENGINE NUMBER
- ➞ UP TO SERIAL OR ENGINE NUMBER
- A WITH OUT FRONT LOADER
- B WITH FRONT LOADER
- C FOR LH DRIVING
- D NOT FOR HIGH CLEARANCE VERSION
- E FOR R.H DRIVING
- ◀ LEFT HAND
- ▶ RIGHT HAND
- N FOR HIGH CLEARANCE VERSION

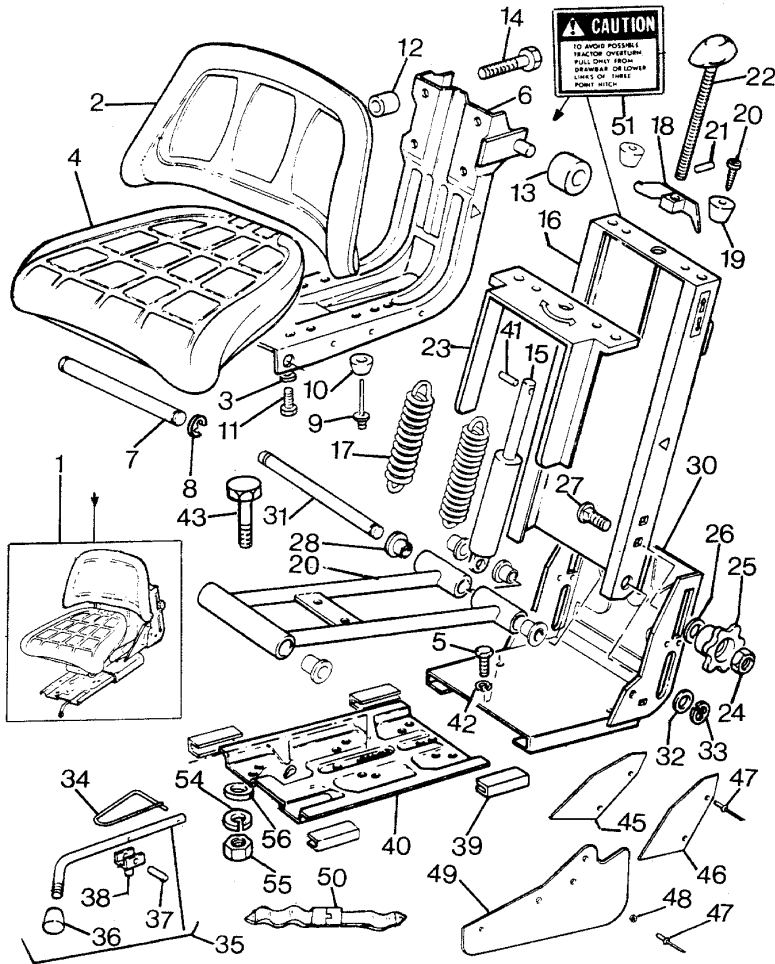
FENDERS FOOTSTEPS AND PLATFORM

S-22  
08

SEAT - GRAMMER - "STANDARD" TYPE

Atlas- (ATLANTIS) 80

S2208



1	3304715M92	●	N.L.S. (1)	1	SEAT
		⚡	3650352M91		
			A		
			(X) 0.0.1.2		
2	3102388M1	!	1	1	BACK REST
			(X) 0.0.1.8		
3	390972X1	!	1	2	WASHER
4	3102386M1	!	1	1	CUSHION
			(X) 0.0.1.8		
5	339124X1	!	1	1	SCREW
6	3102399M1	!	1	1	SUPPORT
7	3102133M1	!	1	1	PIN
8	391415X1	!	1	2	RING
9	3102396M1	!	1	2	RIVET
10	3102401M1	!	1	2	DAMPER
11	339228X1	!	1	4	SCREW
12	3101447M1	!	1	4	SPACER
13	3102150M1	!	1	2	ROLLER
14	339123X1	!	1	4	SCREW
15	3102391M1	!	1	1	DAMPER
16	3102794M1	!	1	1	HOUSING
17	3102393M1	!	1	2	TIE ROD
18	3104370M1	!	1	1	SPRING
19	3102394M1	!	1	2	DAMPER
20	3015126X1	!	1	2	SCREW
21	1440910X1	!	1	1	DOWEL
22	3102390M1	!	1	1	TIE ROD
23	3102137M1	!	1	1	COVER
24	390881X1	!	1	2	NUT
25	3102130M1	!	1	2	KNOB
26	390597X1	!	1	2	WASHER
27	1442868X1	●	385375X1 (2)	2	SCREW
		!	1		
28	1719857M1	!	1	6	BUSH

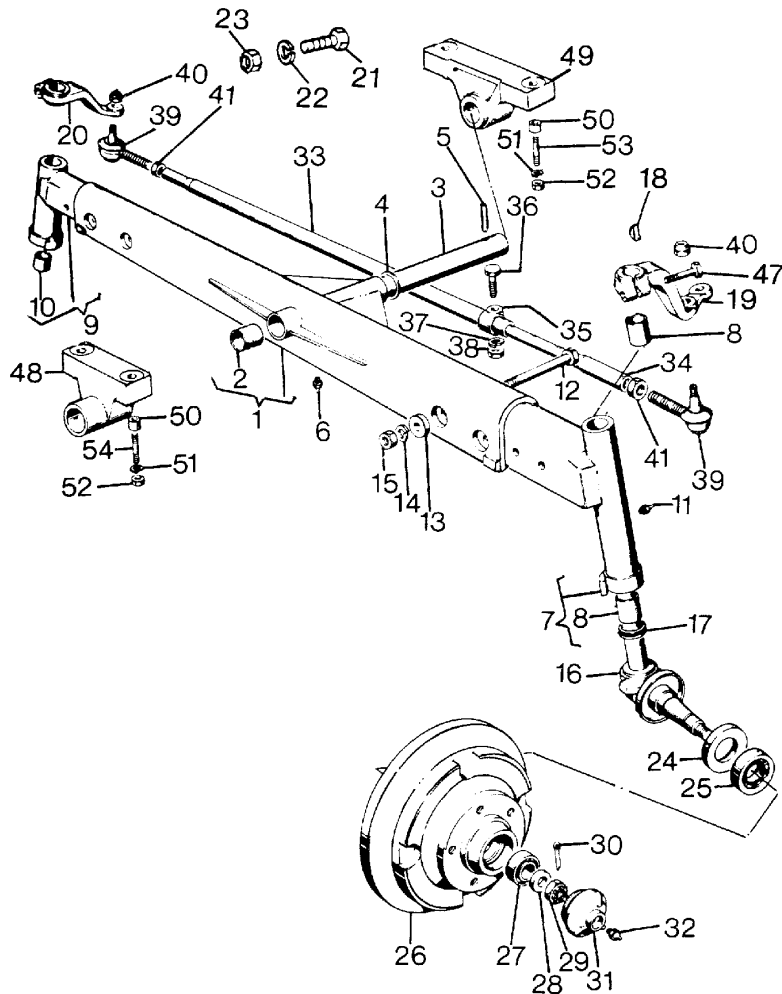
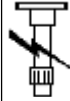
FRONT AXLE AND STEERING

J-09  
02

FRONT AXLE 2 WHEEL DRIVE - AXLE SUPPORT

Atlas- (ATLANTIS) 80

J0902



1	1424488M91		1	SUPPORT
2	1423636M1	! 1	2	BUSH
		(X) 0.2.4.6		
3	1423630M2		1	PIN
4	1423631M1		2	WASHER
5	390949X1		1	DOWEL
6	339608X1		1	GREASER
7	1424591M91	◀	1	SUPPORT
8	975208M1	! 7	2	BUSH
		(X) 0.4.6.10		
9	1424592M91	▶	1	SUPPORT
10	975208M1	! 9	2	BUSH
		(X) 0.2.4.6		
11	339608X1		2	GREASER
12	339616X1		4	BOLT
13	1822489M1		4	WASHER
14	391414X1		4	LOCK WASHER
15	1440202X1		4	NUT
16	1424578M94		2	SPINDLE
17	392060X1		2	BEARING
		(X) 0.2.4.6		
18	393116X1		2	RETAINER
19	1424974M2	◀	1	LEVER
20	1424584M2	▶	1	LEVER
21	3015045X1		1	SCREW
22	1440315X1		2	LOCK WASHER
23	1440200X1		1	NUT
24	394014X1		2	RING
		(X) 0.2.4.6		
25	339394X1		2	BEARING
		(X) 0.2.4.8		
26	1423654M2		2	HUB
27	339393X1		2	BEARING
		(X) 0.2.4.8		

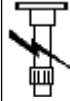
FRONT AXLE AND STEERING

J-09  
07

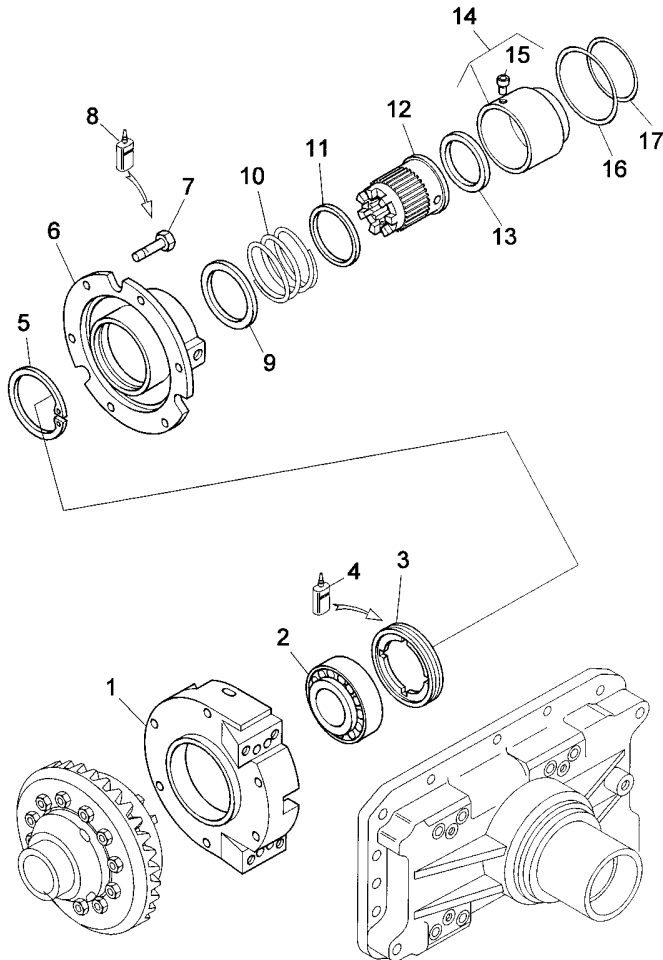
FRONT AXLE 4 WHEEL DRIVE - SUPPORT - WITH DIFFERENTIAL "HYDROLOCK"

Atlas- (ATLANTIS) 80

J0907



4-AK06-030-A



1	391339X1	⊕ J-09 08 1	2	BOX
2		(X) 0.2.4.8	1	BEARING
3	3558002M1		1	FERRULE
4	3303219M1		999	LOCTITE
5	1440516X1		1	RING
6	3557952M1		1	FLANGE
7	3015505X1	M8X30	6	SCREW
8	1427801M2		999	LOCTITE
9	3557979M1		1	SPACER
10	3557997M1		1	SPRING
11	3557980M1		1	WASHER
12	3557969M1		1	SLEEVE
13	3557983M1		1	WASHER
14	3557996M91		1	PISTON
15	3553856M1	! 14	1	SCREW
16	1007241M1	(X) 0.2.4.8	1	RING
17	3015061X1	(X) 0.2.4.8	1	O RING

! THIS IS A COMPONENT OF AN ASSEMBLY

⊕ SEE PAGE - REFERENCE NUMBER

QTY PER TRACTORS SOLD (AA.BBB.CCC.DDD) (AA) FOR  
1,(BBB) 2-10 (CCC) 11-25 (DDD) 26-50

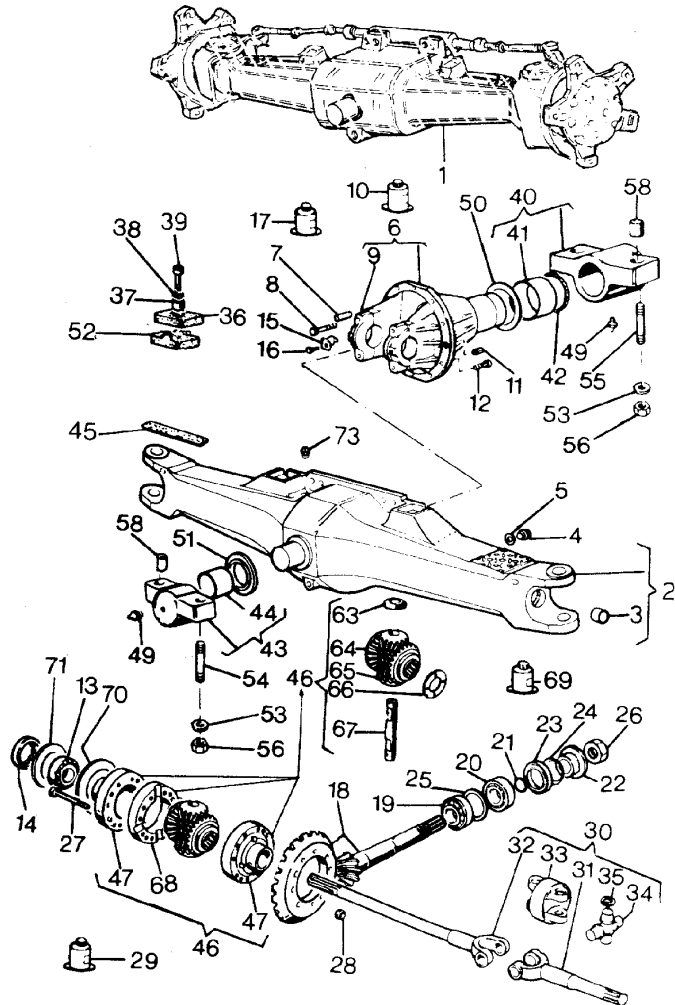
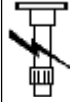
FRONT AXLE AND STEERING

J-09  
12

FRONT AXLE 4 WHEEL DRIVE - DIFFERENTIAL - "HIGH CLEARANCE" VERSION

Atlas- (ATLANTIS) 80

J0912



- ! THIS IS A COMPONENT OF AN ASSEMBLY
  - ⊥ ALTERNATIVE
  - ☞ NOT SERVICED, ORDER
  - A USED WITH 3427132M91
  - ⊞ SHIM
  - B USED WITH 3427133M91
  - C WITHOUT FRONT BRAKING
  - ◀ LEFT HAND
  - ▶ RIGHT HAND
  - NUMBER OF TEETH/SPLINES
- QTY PER TRACTORS SOLD (AA.BBB.CCC.DDD) (AA) FOR  
1,(BBB) 2-10 (CCC) 11-25 (DDD) 26-50

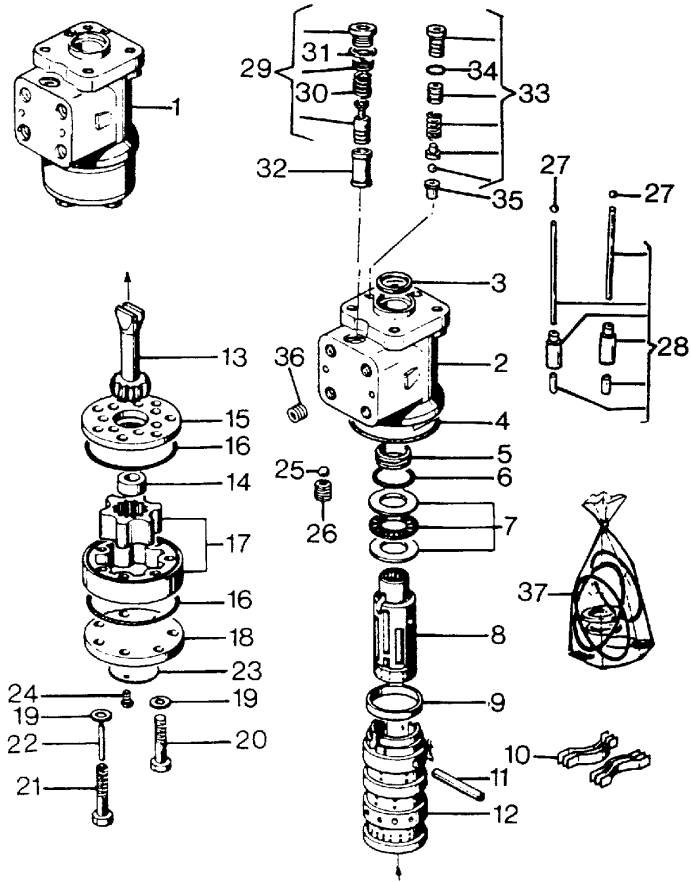
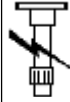
FRONT AXLE AND STEERING

J-09  
16

STEERING DISTRIBUTOR "ORBITROL" UNIT - 2 WHEEL DRIVE

Atlas- (ATLANTIS) 80

J0916



1	3305003M92	Y	"DANFOSS"	1	DISTRIBUTOR
1	3670782M91	Y	3305003M92 (1)	1	DISTRIBUTOR
			"REXROTH"		
2		!	REF.N.1	1	BODY
3	1887719M1	!	A	1	RING
4	1806314M1	!	A	1	RING
5	1887717M1	!	A	1	RING
6	1887718M1	!	A	1	RING
7	1894414M91	!	A	1	BEARING
8		!	REF.N.1	1	VALVE
9	1806303M1	!	A	1	BUSH
10	1894415M1	!	A	1	KIT
11	1806310M1	!	A	1	PIN
12		!	REF.N.1	1	BODY
13	1806416M1	!	A	1	SHAFT
14	1889732M1	!	A	1	SPACER
15	1806319M1	!	A	1	PLATE
16	1806315M1	!	A	2	RING
17	1889733M91	!	A	1	KIT
18	1806316M1	!	A	1	CAP
19	1806317M1	!	A	7	WASHER
20	1806321M1	!	A	6	SCREW
21	1806320M1	!	A	1	SCREW

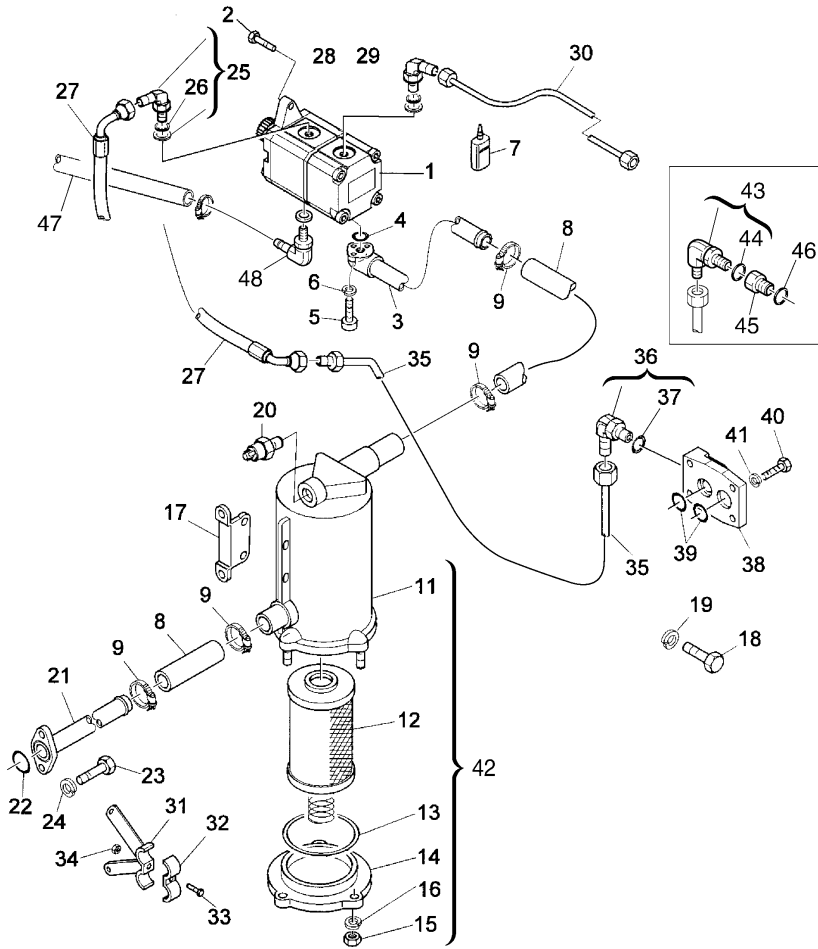
HYDRAULICS AND LINKAGE

P-42  
01

HYDRAULICS EQUIPMENT - PIPINGS AND PUMP

Atlas- (ATLANTIS) 80

P4201



1	◇ P-42 02 1	1	PUMP
	◇ P-42 023 1		
	◇ P-42 025 1		
	A		
2	A	2	SCREW
3	3655107J9A ● 3655107M91 (1)	1	PIPE
	➔ J10165		
	F		
3	3660417M91 ➔ J10166	1	PIPE
	F		
4	371468X1	1	O RING
	(X) 0.5.10.20		
5	390796X1	3	SCREW
6	1440313X1 ● 339374X1 (3)	3	LOCK WASHER
7	3308788M1	1	LOCTITE
8	3307152M1 ➔ J10166	1	SLEEVE
	D		
8	3307152M1 ➔ J10165	2	SLEEVE
8	3660418M1 ➔ J10166	1	SLEEVE
	E		
9	1442232X1 ➔ J10166	4	CLAMP
9	394301X1 ➔ J10165	4	CLAMP
11	3532598M91 ! 42	1	BODY
	(X) 0.0.1.2		
12	3530223M92 ! 42	1	CARTRIDGE
	(X) 2.4.6.12		
13	1007242M1 ! 42	1	RING
	(X) 0.5.10.20		
14	3532630M1 ! 42	1	COVER
15	1440086X1 ! 42	3	NUT
16	1440313X1 ● 339374X1 (3)	3	LOCK WASHER
	! 42		
17	3533143M1	2	STIRRUP

CLICK HERE TO **DOWNLOAD** THE COMPLETE MANUAL

- Thank you very much for reading the preview of the manual.
- You can download the complete manual from: [www.heydownloads.com](http://www.heydownloads.com) by clicking the link below



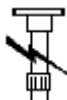
- Please note: If there is no response to CLICKING the link, please download this PDF first and then click on it.

CLICK HERE TO **DOWNLOAD** THE COMPLETE MANUAL

HYDRAULICS AND LINKAGE

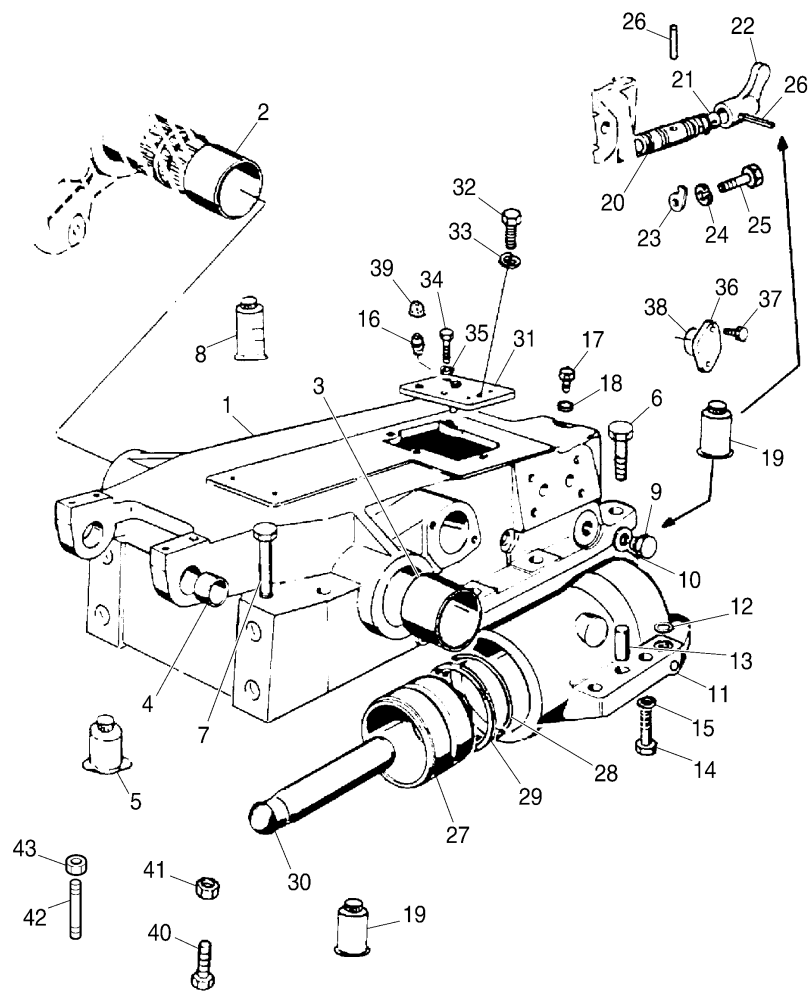
Atlas- (ATLANTIS) 80

P-42  
04



P4204

HYDRAULIC LIFT - LIFT ARMS



- |    |   |                 |   |             |
|----|---|-----------------|---|-------------|
| 30 | 1425326M1                                       |                 | 1 | STRUT       |
| 31 | 3307672M95                                      |                 | 1 | COVER       |
| 32 | 339401X1  | M10X25          | 2 | SCREW       |
| 33 | 1440314X1                                       |                 | 2 | LOCK WASHER |
| 34 | 339124X1  | M8X16           | 2 | SCREW       |
| 35 | 1440313X1                                       | ● 339374X1 (2)  | 2 | LOCK WASHER |
| 36 | 3533177M2                                       | B               | 1 | COVER       |
| 37 | 339761X1  | B               | 2 | SCREW       |
| 38 | 3019918X1                                       | B               | 1 | O RING      |
| 39 | 3426772M1                                       |                 | 1 | GUARD       |
| 40 | 1425359M1                                       |                 | 2 | SCREW       |
| 41 | 392310X1  |                 | 2 | NUT         |
| 42 | 1441991X1                                       | ● 3015155X1 (2) | 2 | STUD        |
|    |   | ➔ .....         |   |             |
|    |   | M12X35          |   |             |
| 43 | 3009695X1                                       | ➔ .....         | 2 | NUT         |
| !  | THIS IS A COMPONENT OF AN ASSEMBLY              |                 |   |             |
| ➔  | FROM SERIAL OR ENGINE NUMBER                    |                 |   |             |
| B  | WITHOUT HYDRAULIQUE TRAILER BEAKING SYSTEM      |                 |   |             |
| ▲  | LEFT HAND                                       |                 |   |             |
| ▼  | RIGHT HAND                                      |                 |   |             |
|    | QTY PER TRACTORS SOLD (AA.BBB.CCC.DDD) (AA) FOR |                 |   |             |
|    | 1.(BBB) 2-10 (CCC) 11-25 (DDD) 26-50            |                 |   |             |

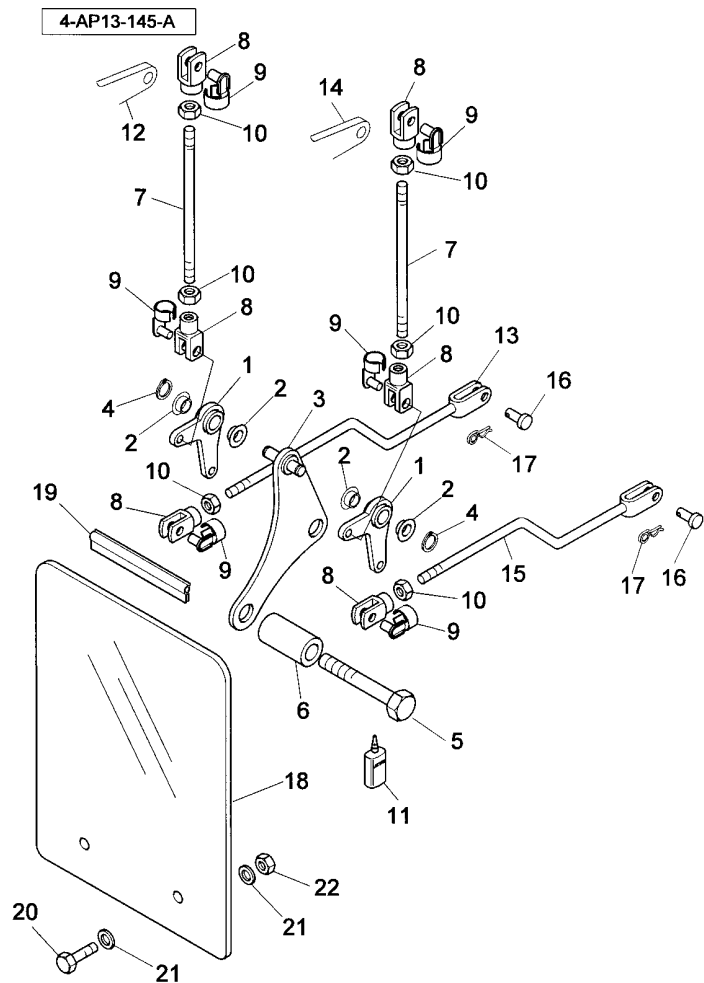
HYDRAULICS AND LINKAGE

P-42  
10

MECHANICAL CONTROL LIFT - DRAFT , POSITION AND INTERMIX

Atlas- (ATLANTIS) 80

P4210



- |    |           |   |        |
|----|-----------|---|--------|
| 19 | 3539043M1 | 1 | GASKET |
| 20 | 339010X1  | 2 | SCREW  |
| 21 | 391039X1  | 4 | WASHER |
| 22 | 394367X1  | 2 | NUT    |
- ➔ FROM SERIAL OR ENGINE NUMBER  
 ➡ UP TO SERIAL OR ENGINE NUMBER  
 ◊ SEE PAGE - REFERENCE NUMBER  
 A "HIGH/LOW" DRIVE  
 B INTERMIX DRIVE

HYDRAULICS AND LINKAGE

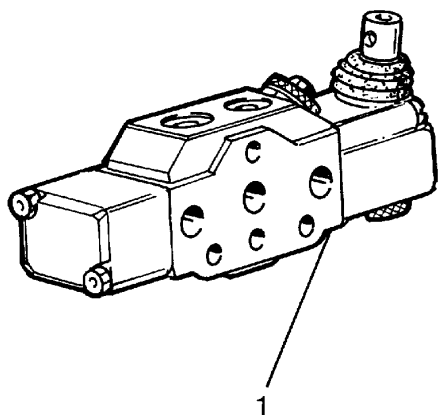
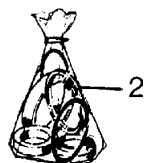
P-42  
17

AUXILIARY STANDARD DISTRIBUTOR - HYDROIRMA TYPE STANDARD

Atlas- (ATLANTIS) 80



P4217



- |   |            |   |                |   |             |
|---|------------|---|----------------|---|-------------|
| 1 | 3547485M92 | ➔ | K21222         | 1 | DISTRIBUTOR |
|   |            | ● | 3547485M93 (1) | 1 | DISTRIBUTOR |
|   |            |   | A              |   |             |
|   |            |   | B              |   |             |
  - |   |            |   |                |   |     |
|---|------------|---|----------------|---|-----|
| 2 | 3540185M91 | ● | 3689697M91 (1) | 1 | KIT |
|   |            |   | (X) 0.4.8.16   |   |     |
  - |   |           |   |   |   |         |
|---|-----------|---|---|---|---------|
| 3 | 3540288M1 | ! | 1 | 1 | BELLOWS |
|   |           |   | C |   |         |
- ! THIS IS A COMPONENT OF AN ASSEMBLY  
 ➔ UP TO SERIAL OR ENGINE NUMBER  
 A COMPONENT PARTS TO BE ADVISED.  
 B NOT INCLUDED TRACTOR VERSION FOR N.A.O.  
 C NOT ILLUSTRATED  
 (X) QTY PER TRACTORS SOLD (AA.BBB.CCC.DDD) (AA) FOR 1,(BBB) 2-10 (CCC) 11-25 (DDD) 26-50

HYDRAULICS AND LINKAGE

P-42  
24

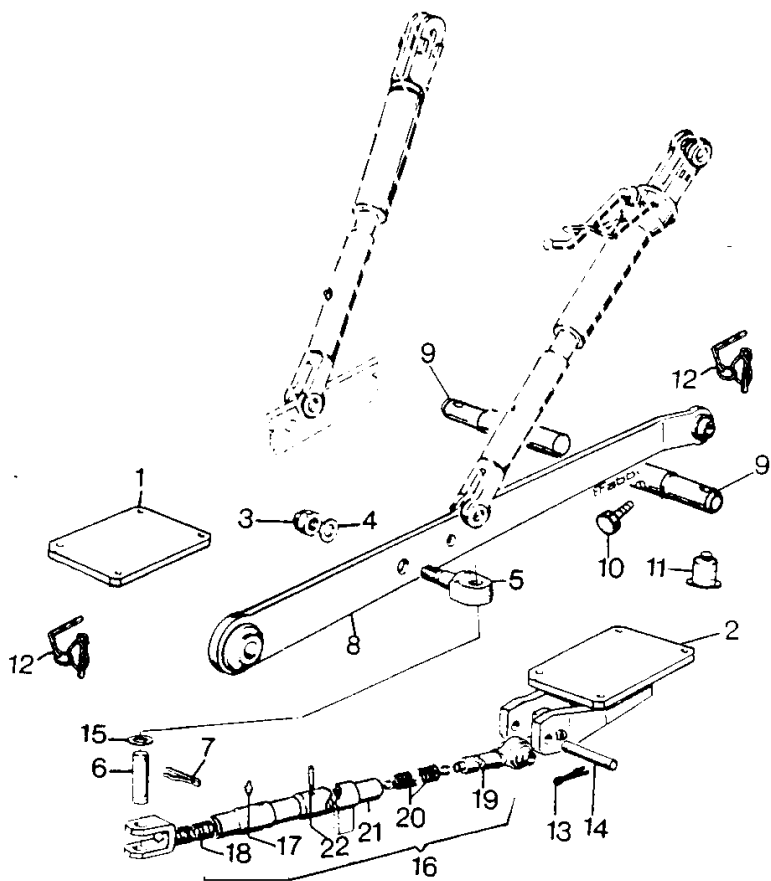
LINKAGE - STD LINKAGE

Atlas- (ATLANTIS) 80



P4224

4-AQ22-206-A



- !
- ➔
- ➞
- A
- B
- C
- ▲
- ▼

THIS IS A COMPONENT OF AN ASSEMBLY

FROM SERIAL OR ENGINE NUMBER

UP TO SERIAL OR ENGINE NUMBER

WITHOUT LINKAGE

NOT FOR HIGH CLEARANCE VERSION

FASTENING FENDER

LEFT HAND

RIGHT HAND

QTY PER TRACTORS SOLD (AA.BBB.CCC.DDD) (AA) FOR  
1,(BBB) 2-10 (CCC) 11-25 (DDD) 26-50

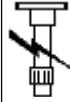
HYDRAULICS AND LINKAGE

P-42  
29

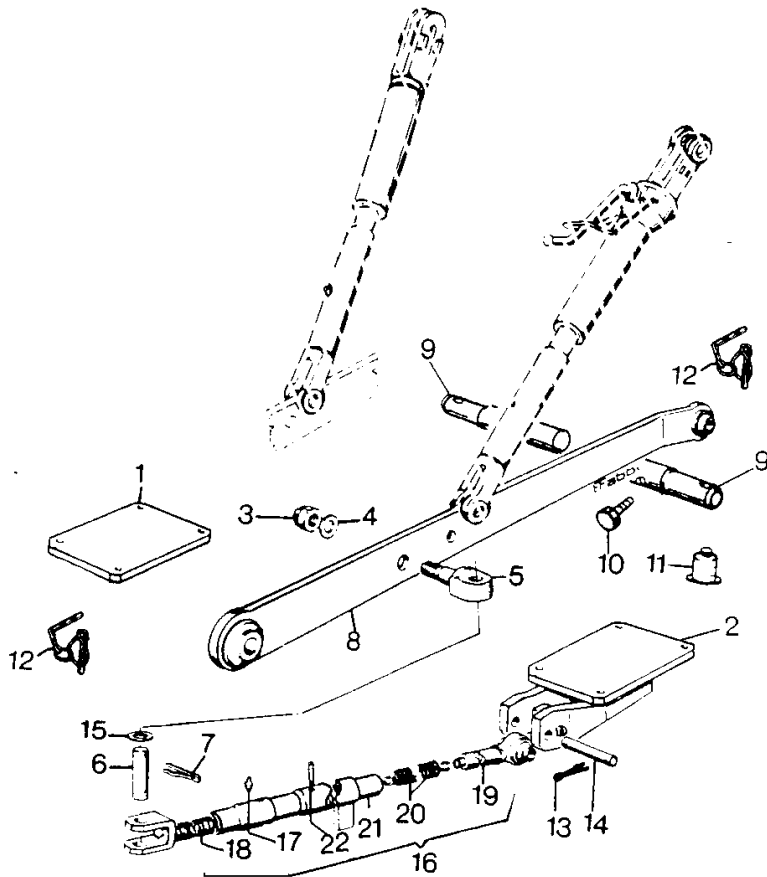
LINKAGE - STD LINKAGE

Atlas- (ATLANTIS) 80

P4229



4-AQ22-206-A



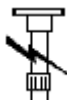
- |    |            |             |            |
|----|------------|-------------|------------|
| 1  | 1423841M2  | B           |            |
|    |            | A           |            |
|    |            | C           |            |
| 2  | 3532102M92 | ◀           | 2 PLATE    |
| 2  | 3532103M92 | ▶           | 1 SUPPORT  |
| 3  | 1440867X1  |             | 1 SUPPORT  |
| 4  | 3301691M1  |             | 2 NUT      |
| 5  | 3538878M1  |             | 2 SPACER   |
| 6  | 3307057M1  |             | 2 PIN      |
| 7  | 1442995X1  |             | 2 PIN      |
| 8  | 3532132M91 |             | 2 SPRING   |
| 9  | 3537821M2  |             | 2 TIE ROD  |
| 10 | 3000253X1  |             | 2 PIN      |
| 11 | 3663814M1  | ●           | 2 SCREW    |
| 12 | 1825417M91 |             | 1 LOCTITE  |
|    |            |             | 2 RETAINER |
|    |            | (X) 0.0.1.2 |            |
| 13 | 3670719M91 |             | 2 CLIP     |
| 14 | 3307028M1  |             | 2 PIN      |
| 15 | 390975X1   |             | 2 WASHER   |
| 16 | 3532084M93 |             | 2 STRUT    |
| 17 | 1441858X1  | !           | 2 GREASER  |
| 18 | 3533282M91 | !           | 2 YOKE     |
|    |            | (X) 0.0.1.2 |            |
| 19 | 3532085M92 | !           | 1 STRUT    |
|    |            | (X) 0.0.1.2 |            |
| 20 | 3300256M1  | !           | 18 SPRING  |
|    |            | (X) 0.1.2.4 |            |
| 21 | 3533204M92 | !           | 1 PIPE     |
| 22 | 3001410X1  | !           | 2 DOWEL    |

LIGHTING EQUIPMENT

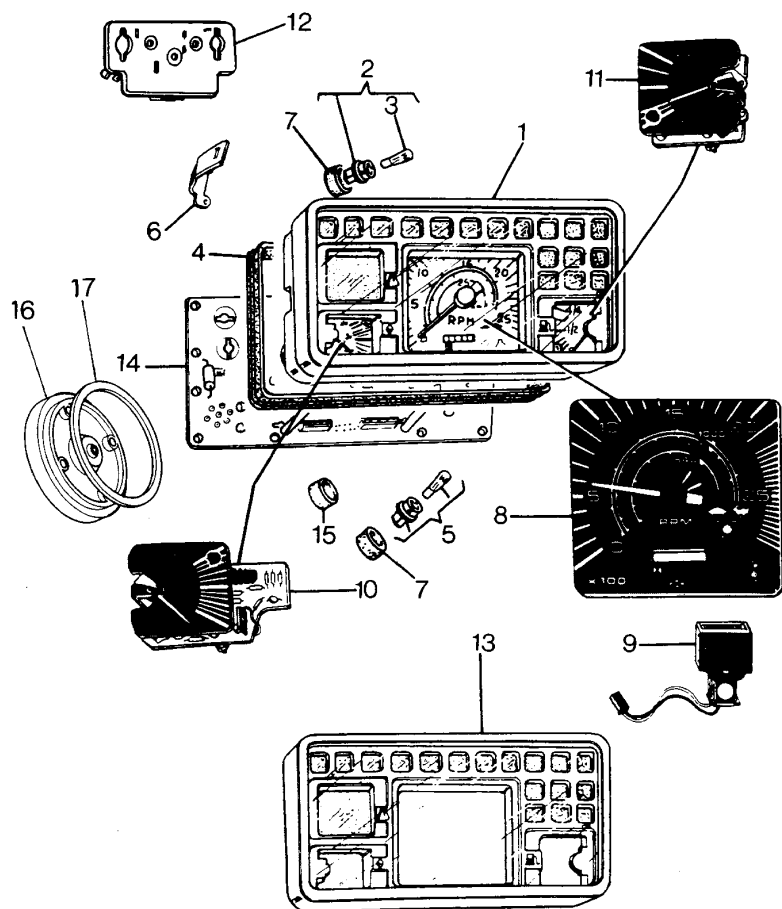
D-00  
04

INSTRUMENT PANEL - EQUIPMENT INSTRUMENT

Atlas- (ATLANTIS) 80



D0004



- !
- A
- ▲
- ▼
- ◀
- ▶

THIS IS A COMPONENT OF AN ASSEMBLY

WITH INSTRUMENT ANALOGUE

TOP

LOWER COMPONENT

LEFT HAND

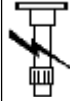
RIGHT HAND

QTY PER TRACTORS SOLD (AA.BBB.CCC.DDD) (AA) FOR  
1,(BBB) 2-10 (CCC) 11-25 (DDD) 26-50

LIGHTING EQUIPMENT

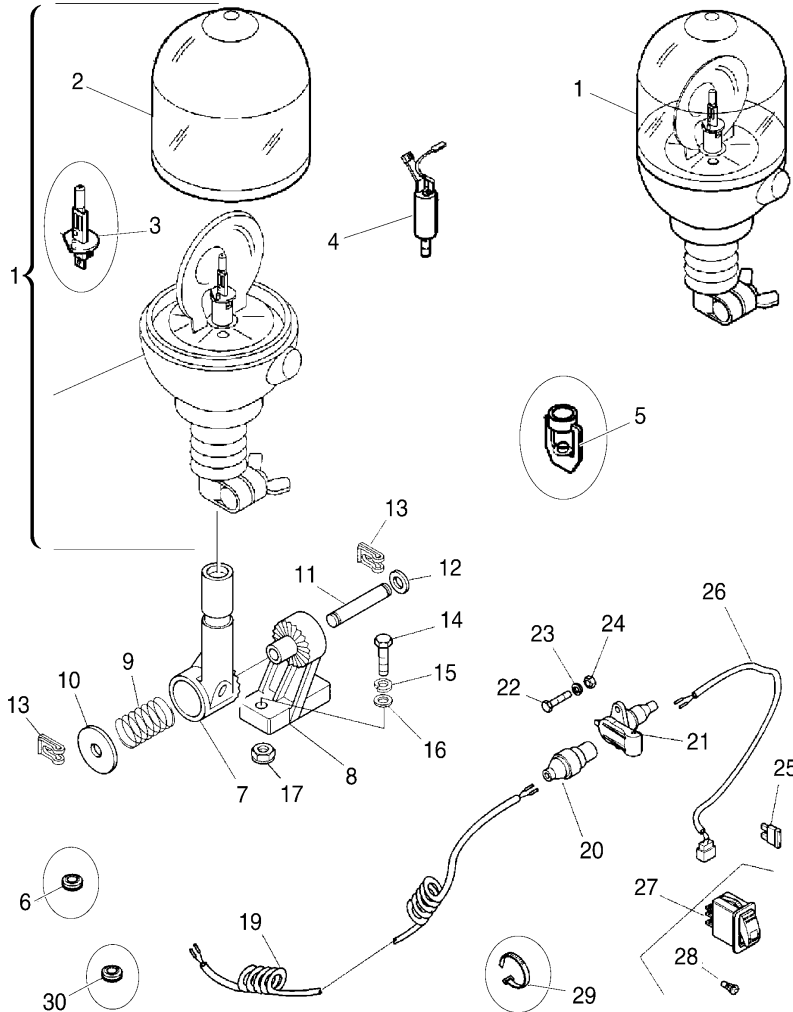
Atlas- (ATLANTIS) 80

D-00  
10



D0010

ROTATING LIGHT - WITH SHADE ROFF



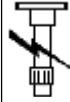
1	3663822M91		1	LAMPADA
2	3666666M1	!	1	COVER
3	3405180M1	!	1	BULB
4	3535827M92		1	PLUG SOCKET
5	3535828M1		1	PLUG
6	3556506M1		1	CHOCK
7	3648821M1		1	PIPE
8	3648822M1		1	SUPPORT
9	3713259M1		1	SPRING
10	390597X1		1	WASHER
11	3649916M1		1	PIN
12	390734X1		1	WASHER
13	3533153M1		2	CLIP
14	339009X1		2	SCREW
15	339374X1		2	LOCK & SEAL
16	390972X1		2	WASHER
17	3009193X1		2	NUT
18	3663818M1	A	1	PLATE
19	3662623M91		1	CABLE
20	3535830M91		1	DOWEL
21	3535831M91		1	PLUG SOCKET
22	339721X1		2	SCREW
23	339381X1		2	LOCK WASHER
24	390995X1		2	NUT
25	3533928M91	7,5A (X) 1.2.4.8	1	FUSE
26	3661457M91		1	CABLE
27	3535799M91		1	SWITCH,IND
28	3310618M1	!	18 (X) 2.4.6.8	LAMP
29	3301575M1		4	CLAMP
30	3556364M1	B	4	CHOCK
30	4202833M1		2	CHOCK

REAR AXLE AND REAR BRAKES

G-40  
02

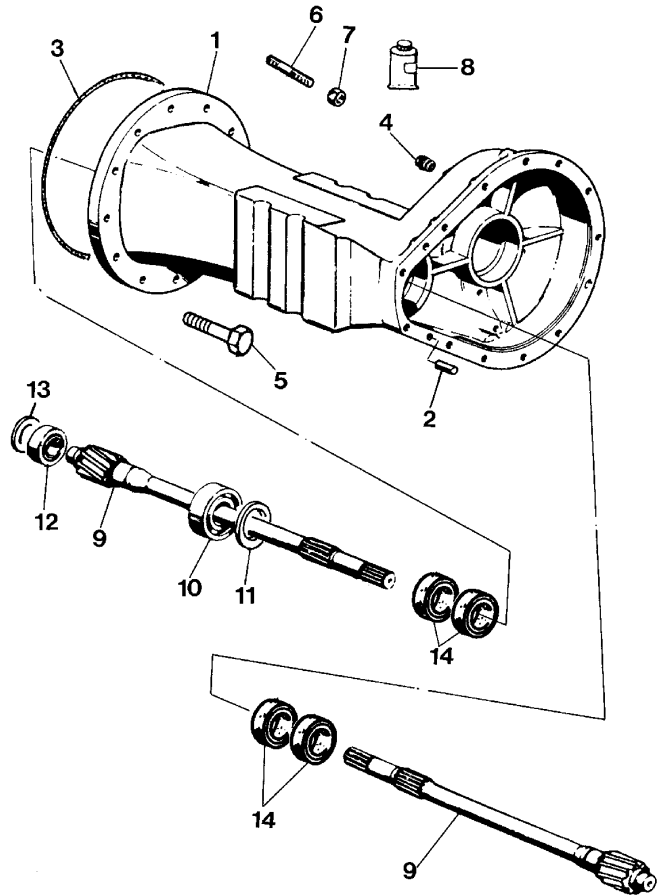
REAR AXLE - HOUSING AND WHEEL HUB - HALFSHAFT

Atlas- (ATLANTIS) 80



G4002

4-AG13-125-A



1	3531898M2	●	3531898M3 (1)	1	HOUSING
		▶	A		
1	3531899M2	●	3531899M3 (1)	1	HOUSING
		▶	A		
1	3534442M3	▶	B	1	HOUSING
1	3534443M3	◀	B	1	HOUSING
2	1440695X1			4	DOWEL
3	3304650M1	(X)		2	RING
4	392735X1			4	PLUG
5	3000253X1			18	SCREW
6	3015486X1	◄	40 MM	1	SCREW
6	3304695M1	◄	35MM	3	SCREW
7	339079X1			4	NUT
8	3308788M1			1	LOCTITE
9	3531900M1	▶		1	SHAFT
9	3531901M1	◀		1	SHAFT
10	3426844M1	●	3019932X1 (2)	2	BEARING
			(X) 0.2.4.6		
11	3534126M1	▲	0,9MM	999	SHIM
11	3534127M1	▲	1,0MM	999	SHIM
11	3534128M1	▲	1,1MM	999	SHIM
11	3534129M1	▲	1,2MM	999	SHIM
11	3534130M1	▲	1,3MM	999	SHIM
11	3534131M1	▲	1,4MM	999	SHIM
11	3534132M1	▲	1,5MM	999	SHIM
11	3534133M1	▲	1,6MM	999	SHIM
11	3534134M1	▲	1,7MM	999	SHIM
11	3662868M1	▲	0,7MM	999	SHIM
11	3662869M1	▲	0,8MM	999	SHIM

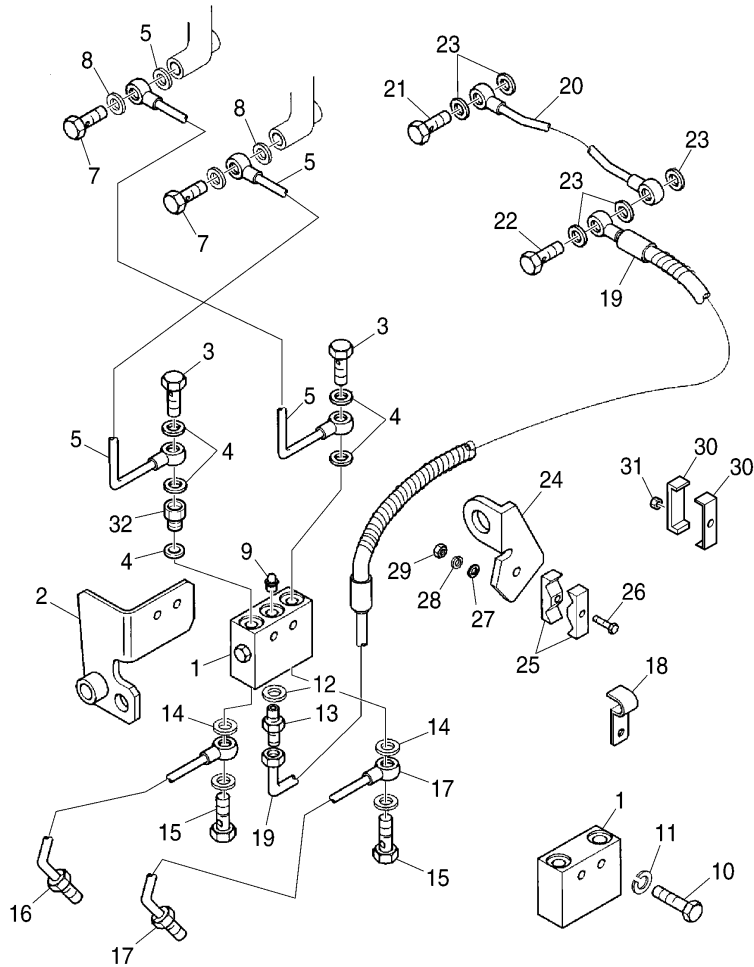
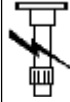
REAR AXLE AND REAR BRAKES

G-40  
07

BRAKES - PEDALS AND LINKAGE - PIPINGS

Atlas- (ATLANTIS) 80

G4007



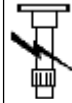
- |     |  |   |          |
|-----|--|---|----------|
| 29  | 1441500X1                                  | 1 | NUT      |
| 30  | 733869M1                                   | 2 | RETAINER |
| 31  | 390995X1                                   | 1 | NUT      |
| 32  | 3647757M1                                  | 1 | UNION    |
| A   | WITH HYDRAULIQUE TRAILER BRAKING SYSTEM    |   |          |
| B   | WITHOUT HYDRAULIQUE TRAILER BRAKING SYSTEM |   |          |
| C   | WITH FRONT BRAKING                         |   |          |
| I I | 2 WHEEL DRIVE                              |   |          |
| ◀   | LEFT HAND                                  |   |          |
| ▶   | RIGHT HAND                                 |   |          |

REAR AXLE AND REAR BRAKES

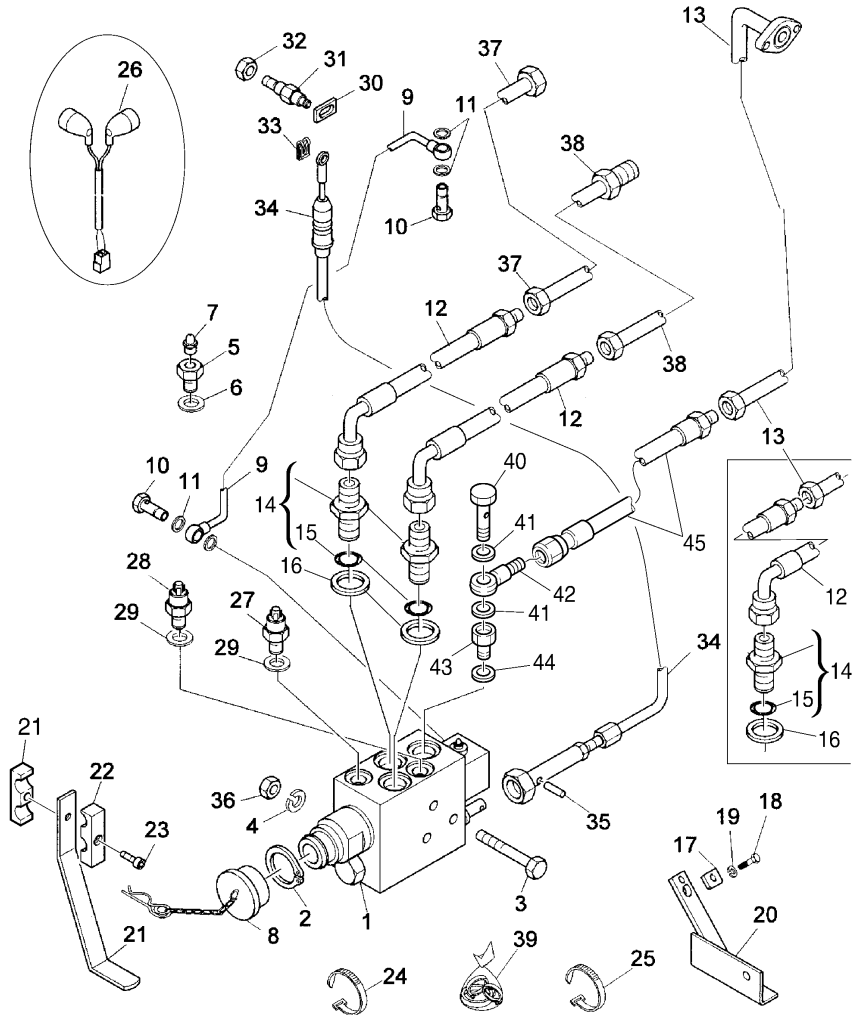
G-40  
12

KIT TRAILER BRAKES - PIPES AND FITTINGS - WITH HYDRAULIQUE TRAILER BRAKING SYSTEM "ITALY"

Atlas- (ATLANTIS) 80



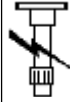
G4012



- |    |            |                            |   |            |
|----|------------|----------------------------|---|------------|
| 26 | 3545602M91 |                            | 1 | CABLE      |
| 27 | 3656829M1  | 2 ATM.                     | 1 | BULB       |
| 28 | 3542926M1  | ● 3671082M91 (1)<br>8 ATM. | 1 | SWITCH,IND |
| 29 | 3542937M1  |                            | 2 | WASHER     |
| 30 | 3300126M1  | A                          | 2 | PLATE      |
| 30 | 3300126M1  |                            | 1 | PLATE      |
| 31 | 3547891M2  |                            | 1 | PIN        |
| 32 | 394367X1   |                            | 1 | NUT        |
| 33 | 3308153M1  |                            | 1 | RETAINER   |
| 34 | 3546843M92 | ● 3546843M93 (1)           | 1 | CABLE      |
| 35 | 3015133X1  |                            | 1 | PIN        |
| 36 | 339169X1   | ● 394367X1 (3)             | 3 | NUT        |
| 37 | 3547037M91 | ➔ J10165<br>C              | 1 | PIPE       |
| 37 | 3660701M91 | ➔ J10166<br>C              | 1 | PIPE       |
| 38 | 3536994M91 | ➔ J10165<br>B              | 1 | PIPE       |
| 38 | 3660503M91 | ➔ J10166<br>B              | 1 | PIPE       |
| 39 | 3540567M92 | ! 1                        | 1 | KIT        |
| 40 | 3553651M1  | ➔ J10166                   | 1 | UNION      |
| 41 | 3554594M1  | ➔ J10166                   | 2 | WASHER     |
| 42 | 3551803M1  | ➔ J10166                   | 1 | RING       |
| 43 | 3542851M1  | ➔ J10166                   | 1 | UNION      |
| 44 | 339526X1   | ➔ J10166                   | 1 | WASHER     |
| 45 | 3547034M92 | ➔ J10166                   | 1 | PIPE       |
| 46 | 3649782M1  | ➔ J10166                   | 1 | BLOCK      |

REAR AXLE AND REAR BRAKES

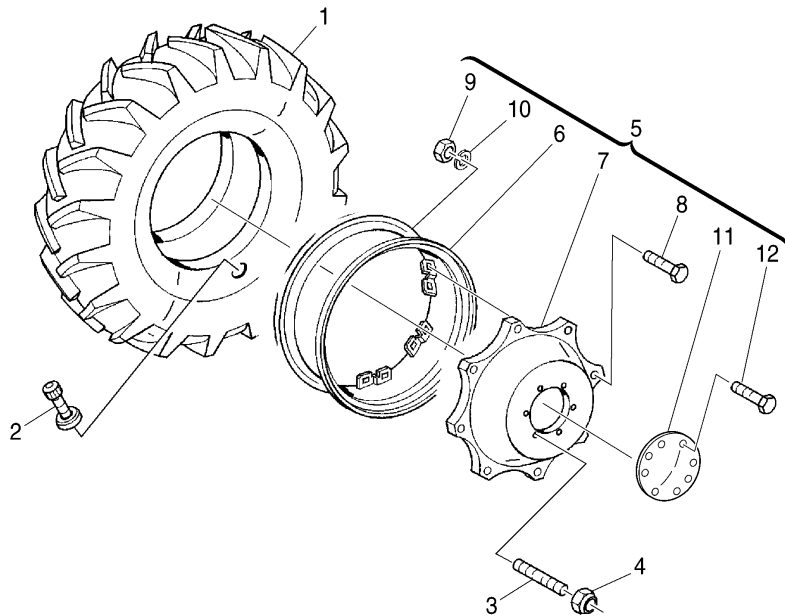
G-40  
15



G4015

Atlas- (ATLANTIS) 80

REAR WHEELS - HOOPS AND TYRES



		N	
1	3531666M1	4	2 TYRE AND TUBE
		9.5-44	
1	3531666M1	9.5-44	2 TYRE AND TUBE
1	3659038M1	11.2-R44	2 TYRE AND TUBE
1	3659038M1	4	2 TYRE
		11.2-R44	
2	3551564M91		2 VALVE
3	975124M1		16 STUD
4	3384600M2		16 NUT
5	3542223M92	S	2 HOOP
		T	
		W8-44	
6	3542229M91	!	1 HOOP
		W8-44	
7	3548001M1	!	1 DISC
		W8-44	
8	3015099X1	!	8 SCREW
		W8-44	
9	3009748X1	!	16 NUT
		W8-44	
10	1440267X1	!	16 WASHER
		W8-44	
11	3548002M1	!	1 FLANGE
		W8-44	
12	390718X1	!	8 BOLT
		5	
		M16X55	
		W8-44	
!	THIS IS A COMPONENT OF AN ASSEMBLY		
4	WHEEL DRIVE		
N	FOR HIGH CLEARANCE VERSION		
S	FOR USE WITH 11.2-R44 TYRES		
T	FOR USE WITH 9.5-R44 TYRES		

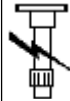
SHEET METAL

R-20  
06

DECALS

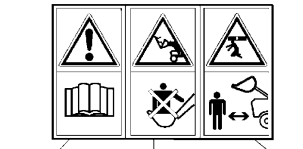
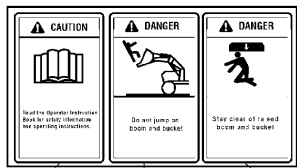
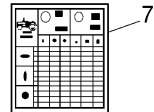
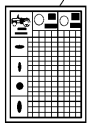
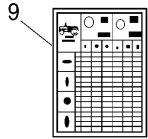
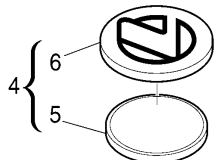
Atlas- (ATLANTIS) 80

R2006



11 ○ **WARNING: Manufactured with CFC-113, a substance which harms public health and enviroment by destroyng ozone in the upper atmosphere.**

10 ○ **WARNING: Manufactured with 1.1.1. trichlorethane a substance which harms public health and enviroment by destroyng ozone in the upper atmosphere.**



4	3652469M91		1	COVER
5		! 4	1	COVER
		➡ REF.N.4		
6	3652432M1	! 4	1	MEDALLION
7	3545417M2	B	1	DECAL
8	3537741M3	G	1	DECAL
9	3537727M2	D	1	DECAL
9	3537743M3	E	1	DECAL
10	3550670M1	C	1	DECAL
11	3550672M1	C	1	DECAL
12	3671173M1		1	DECAL
13	3662780M91	C	2	KIT
14	3662776M92		2	KIT
15	3652423M1		2	DECAL
!	THIS IS A COMPONENT OF AN ASSEMBLY			
➡	FROM SERIAL OR ENGINE NUMBER			
➡	UP TO SERIAL OR ENGINE NUMBER			
➡	NOT SERVICED, ORDER			
A	BLUE			
B	WITH "SHUTTLE" VERSION			
C	FOR TRACTOR "N.A.O." VERSION			
D	UNDERDRIVE AND SHUTTLE VERSION			
E	SHUTTLE AND CREEPER VERSION			
F	RED			
◀	LEFT HAND			
G	OVERDRIVE AND SHUTTLE VERSION			
▶	RIGHT HAND			
H	FOR HIGH CLEARANCE VERSION			
L	NOT FOR HIGH CLEARANCE VERSION			

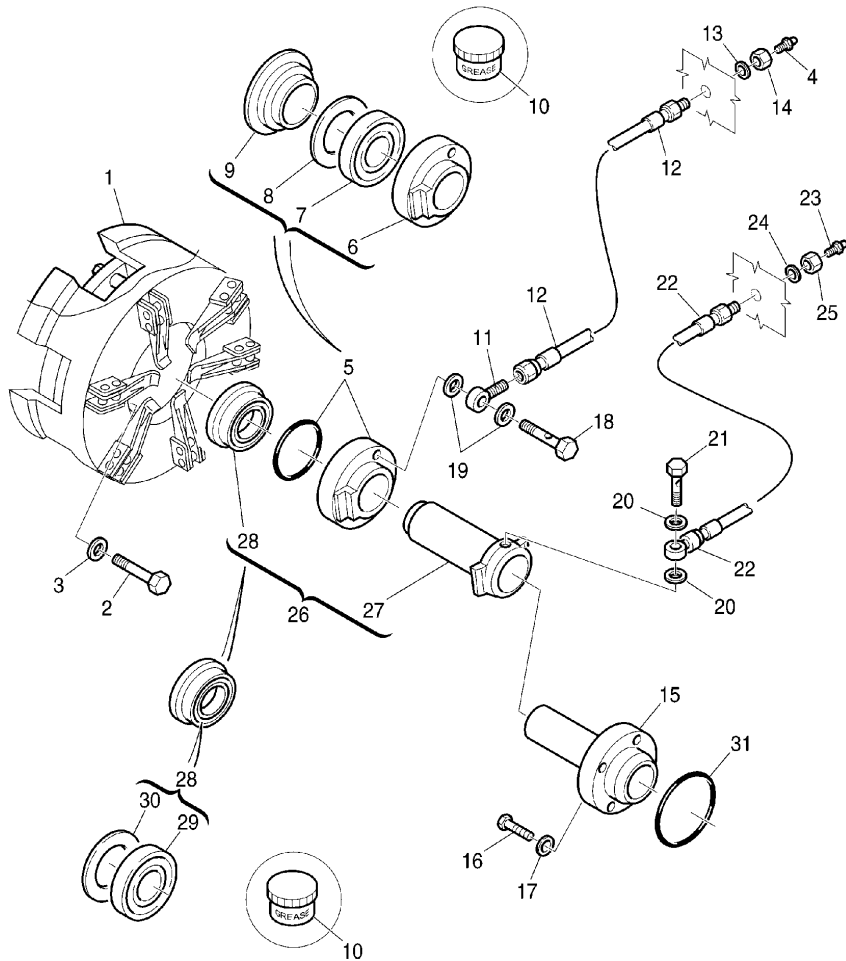
TRANSMISSION

E-04  
03

CLUTCH CONTROL

Atlas- (ATLANTIS) 80

E0403

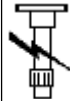


1		A	1 CLUTCH
2	1442920X1	↖ 1441919X1	6 SCREW
		E	
2	339084X1	C	12 BOLT
		(X) 0.12.24.48	
3	1440313X1	● 339374X1 (12)	12 LOCK WASHER
		C	
3	1440314X1	E	6 LOCK WASHER
4	1440838X1		1 GREASER
5	3306507M91	● 3306507M93 (1)	1 COLLAR
		D	
6		! 5	1 COLLAR
		➔ REF.N.5	
7	1442381X1	! 5	1 BEARING
		D	
8	1821722M1	! 5	1 DISC
		D	
9	1423472M2	! 5	1 DISC
		D	
10	3548873M1	● N.L.A. (1)	1 GREASE
11	394578X1		1 UNION
12	3306485M91		1 HYDR HOSE
13	1440316X1		1 LOCK WASHER
14	339070X1		1 NUT
15	3545155M3		1 SUPPORT
16	339761X1		3 SCREW
17	1440314X1		3 LOCK WASHER
18	394199X1		1 PLUG
19	3005043X1	● 391376X1 (2)	2 WASHER
20	3000136X1		2 GASKET
21	3547504M1		1 UNION
22	3547501M91		1 PIPE

TRANSMISSION

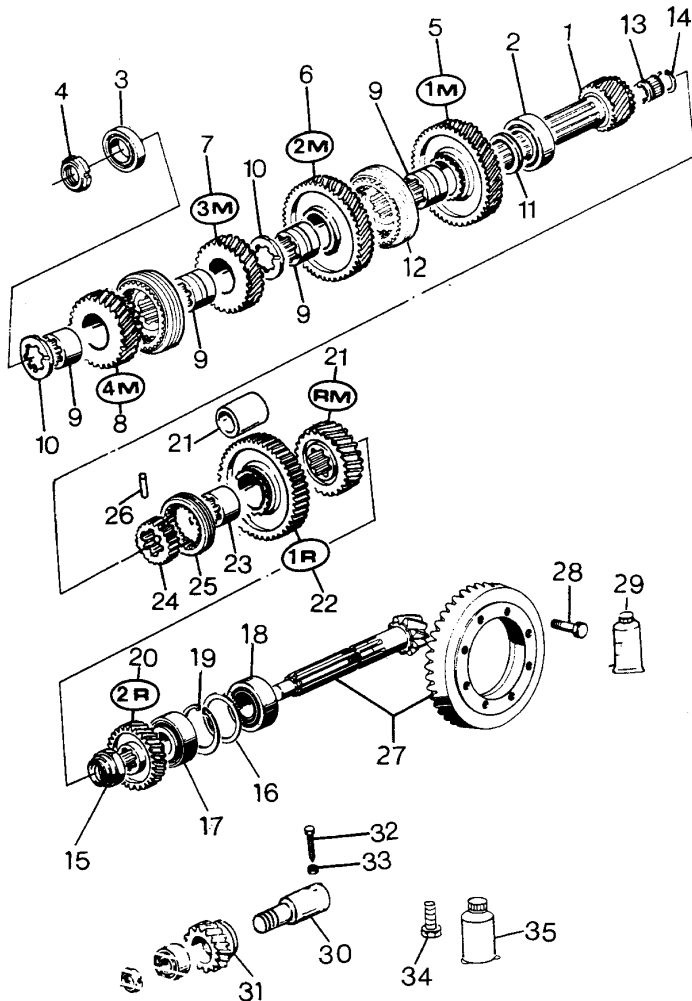
Atlas- (ATLANTIS) 80

E-04  
08



E0408

TRANSMISSION - COUNTERSHAFT



1	3535394M2		1	SHAFT
2	3530755M1		1	BEARING
3	1440562X1		1	BEARING
4	3530542M1		1	FERRULE
5	3530543M2	● 3530543M3 (1)	1	GEAR
		▲ 47		
6	3530544M2	● 3530544M3 (1)	1	GEAR
		▲ 39		
7	3530545M2	● 3530545M3 (1)	1	GEAR
		▲ 35		
8	3532447M2	● 3532447M3 (1)	1	GEAR
		▲ 30		
9	3538938M1	● 3668655M1 (4)	4	BUSH
		(X) 0.2.4.8		
10	3530548M1		2	WASHER
11	3530549M1		1	WASHER
12		◊ E-04 09 1	2	SYNCHRO GEAR
13	1441925X1		1	BEARING
		(X) 0.2.4.8		
14	1441924X1		1	RING
		(X) 0.2.4.8		
15	3307883M1		1	NUT
16	1824669M1	● 1824670M1 (999)	999	SHIM
		▲ 0,10MM		
16	1824670M1	▲ 0,15MM	999	SHIM
16	1824671M1	▲ 0,20MM	999	SHIM
16	1824672M1	▲ 0,30MM	999	SHIM
17	1440640X1		1	BEARING
		(X) 0.2.4.8		
18	3532345M91		1	BEARING
		(X) 0.2.4.8		
19	393580X1		1	RING
20	3530568M2	▲ 30	1	GEAR

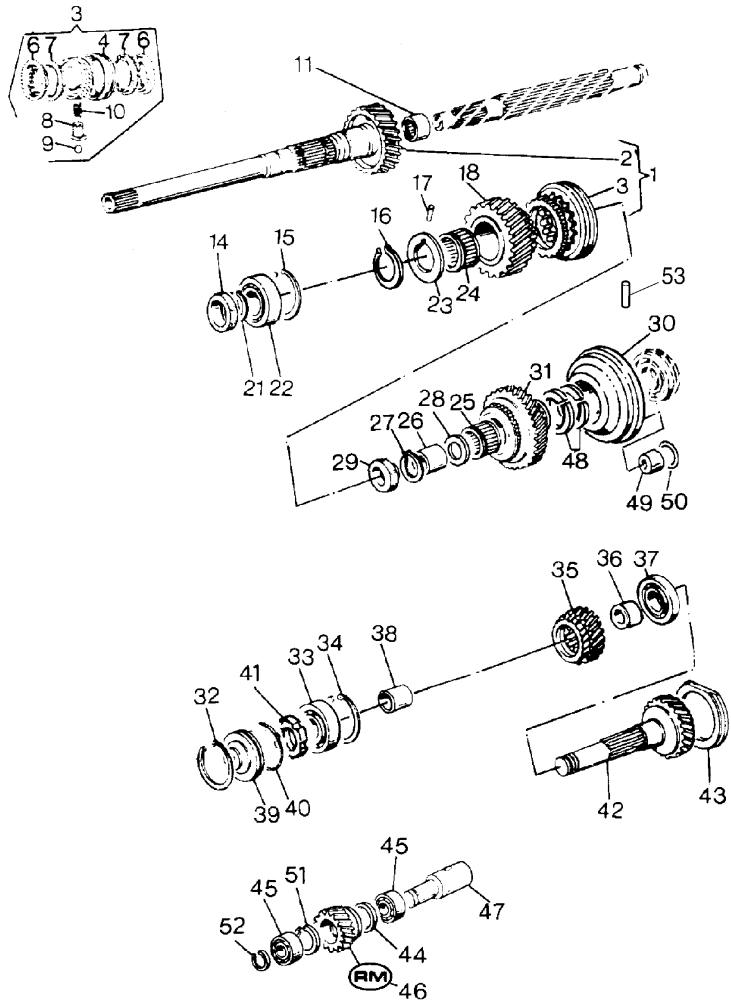
TRANSMISSION

E-04  
14

REDUCER OPTION - GEARBOX - FOR "SHUTTLE" VERSION ONLY.

Atlas- (ATLANTIS) 80

E0414



10	3539425M1	!	3	3	SPRING
			B		
11	3533946M1			1	CAGE
14	3015019X1			1	RING
15	339094X1			1	RING
16	390232X1			1	RING
17	3019301X1			1	DOWEL
18	3548390M1			1	GEAR
21	1440478X1			1	RING
22	1440503X1			1	BEARING
23	3309354M1			1	DISC
24	3647577M1			1	CAGE
25	3304944M1			1	BEARING
26	3548467M1			1	BUSH
27	3006803X1			1	RING
28	3548402M1			1	WASHER
29	1441802X1			1	SEAL
30	3548466M3			1	FLANGE
31	3548316M1			1	GEAR
32	1443524X1			1	RING
33	339436X1			1	BEARING
34	339437X1			1	RING
35	3534907M2			1	GEAR
36	3544709M1			1	SPACER
37	339818X1			1	BEARING
38	3545316M1			1	SPACER
39	3305048M2			1	COVER
40	3305049M1			1	RING
41	392771X1			1	FERRULE
42	3544705M1			1	SHAFT
43	3309349M1			1	DISC
44	3534355M1			1	SPACER
45	3015010X1			2	BEARING
46	3309363M1			1	GEAR

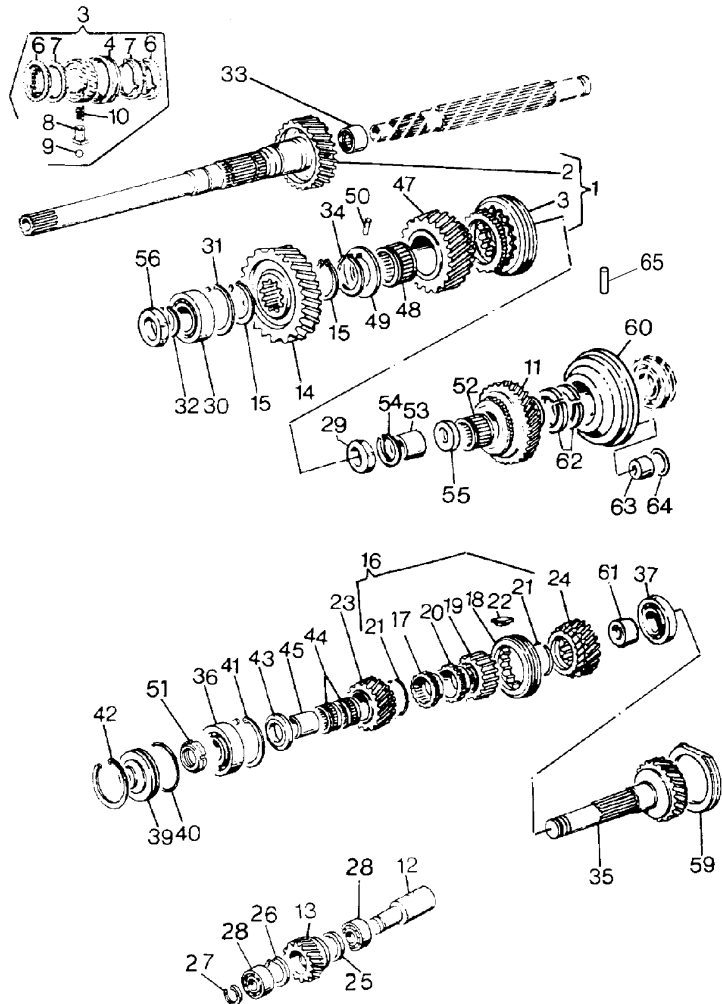
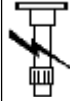
TRANSMISSION

E-04  
17

REDUCER OPTION - GEARBOX - OVERDRIVE AND SHUTTLE VERSION

Atlas- (ATLANTIS) 80

E0417



10	3539425M1	!	3	3	SPRING
			B		
11	3548316M1			1	GEAR
12	3533979M1			1	SHAFT
13	3309363M1			1	GEAR
14	3534343M1			1	GEAR
15	339470X1			2	RING
16	3534574M91	Y	.	1	SYNCHRO GEAR
			B		
16	3535785M91	●	3534574M91 (1)	1	SYNCHRO GEAR
		Y	3534574M91		
			A		
17	3535786M1	!	16	1	CROWNWHEEL
			A		
17	3535786M1	!	16	1	CROWNWHEEL
			B		
18	3533959M1	!	16	1	SLEEVE
			A		
18	3533959M1	!	16	1	SLEEVE
			B		
19	3533960M1	!	16	1	HUB
			A		
19	3533960M1	!	16	1	HUB
			B		
20	3536760M1	!	16	1	RING
			A		
20	3536760M1	!	16	1	RING
			B		
21	3533963M1	!	16	2	SPRING
			A		
21	3533963M1	!	16	2	SPRING
			B		
22	3533962M1	!	16	3	SKATE
			A		

CLICK HERE TO **DOWNLOAD** THE COMPLETE MANUAL

- Thank you very much for reading the preview of the manual.
- You can download the complete manual from: [www.heydownloads.com](http://www.heydownloads.com) by clicking the link below



- Please note: If there is no response to CLICKING the link, please download this PDF first and then click on it.

CLICK HERE TO **DOWNLOAD** THE COMPLETE MANUAL