

ACCESSORIES MECHANICAL

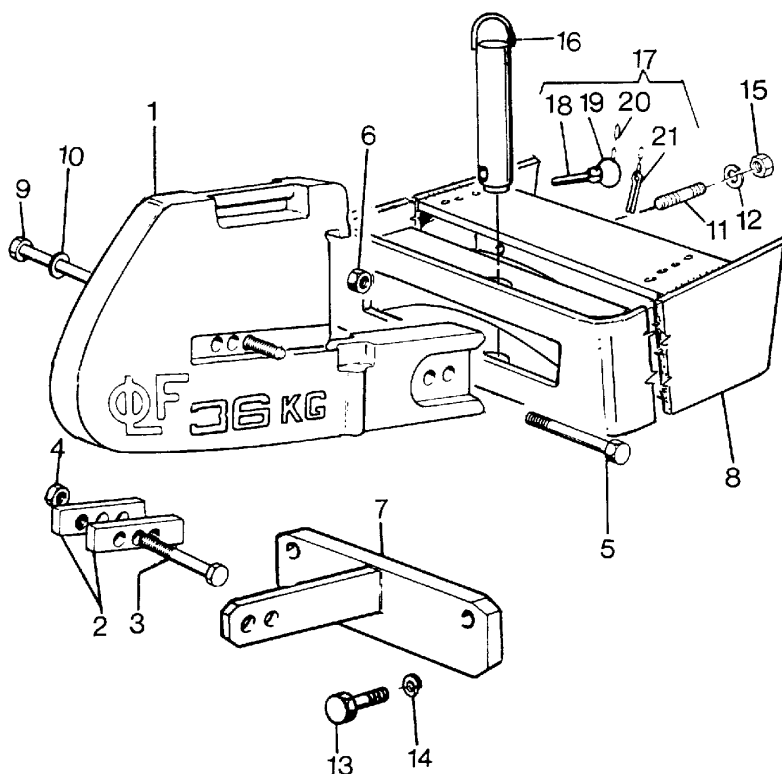
**X-48
01**

WEIGHT FRAME AND WEIGHTS - FRONT HOOK - UP TO SERIAL N. ...

Advantage 4 cyl 75GT
Cab



X4801



- | | | | | | |
|----|------------|---|----------------|---|-------------|
| 1 | 3545835M1 | ● | 3545835M2 (4) | 4 | BALLAST WE |
| 1 | 3545835M1 | ● | 3545835M2 (6) | 6 | BALLAST WE |
| 2 | 1426054M1 | | | 2 | PLATE |
| 3 | 339616X1 | | | 1 | BOLT |
| 4 | 392368X1 | | | 1 | NUT |
| 5 | 339805X1 | | | 2 | SCREW |
| 6 | 339034X1 | | | 2 | NUT |
| 7 | 3547057M91 | ● | 3682637M91 (1) | 1 | STIRRUP |
| 8 | 3547056M92 | → | B10014 | 1 | SUPPORT |
| 8 | 3548426M91 | ● | 3548426M92 (1) | 1 | SUPPORT |
| | | → | B10015 | | |
| 9 | 1441804X1 | ↔ | 200MM
B | 2 | SCREW |
| 9 | 391327X1 | ↔ | 145MM.
G | 2 | SCREW |
| 10 | 1441664X1 | | | 2 | LOCK WASHER |
| 11 | 392223X1 | | | 4 | SCREW |
| 12 | 391414X1 | | | 4 | LOCK WASHER |
| 13 | 391120X1 | | | 2 | SCREW |
| 14 | 391414X1 | | | 2 | LOCK WASHER |
| 15 | 339034X1 | | | 4 | NUT |
| 16 | 1426023M91 | | | 1 | PIN |
| 17 | 1699608M91 | | | 1 | KIT |
| 18 | 1426056M91 | ! | 17 | 1 | RETAINER |
| | | → | 1699665M1 | | |
| 19 | 1699608M91 | ! | 17 | 1 | KIT |
| 20 | 1699417M1 | ● | 4203653M91 (1) | 1 | CHAIN |
| | | → | 17 | | |
| | | → | 646027M1 | | |
| 21 | 354074X1 | ! | 17 | 1 | RETAINER |

CLICK HERE TO **DOWNLOAD** THE COMPLETE MANUAL

- Thank you very much for reading the preview of the manual.
- You can download the complete manual from: www.heydownloads.com by clicking the link below



- Please note: If there is no response to CLICKING the link, please download this PDF first and then click on it.

CLICK HERE TO **DOWNLOAD** THE COMPLETE MANUAL

TRACTOR CAB

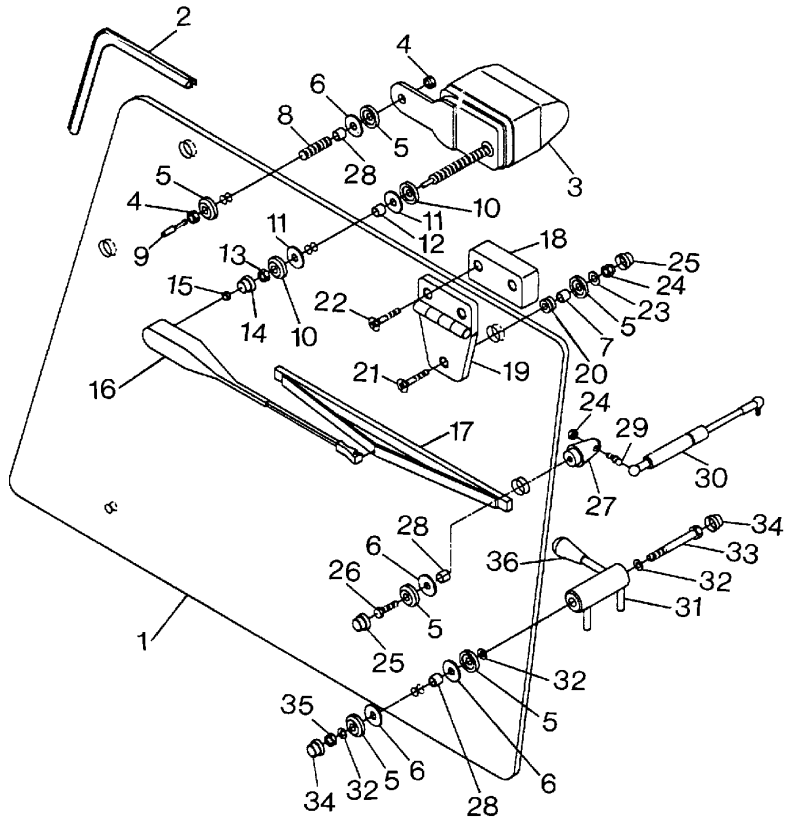
U-47
02

TRACTOR CAB - WINDOWS - FRONT - WINDSCRENN

Advantage 4 cyl 75GT
Cab



U4702



29	3311971M91	4	BALL JOINT
30	3550907M91	2	DAMPER
	(X) 0.1.2.4		
31	3558207M91	1	HANDLE
32	390734X1	3	WASHER
33	339050X1	1	SCREW
34	3311774M1	2	GUARD
35	1440329X1	1	NUT
36	3550986M1	1	KNOB

! THIS IS A COMPONENT OF AN ASSEMBLY
 → FROM SERIAL OR ENGINE NUMBER
 → UP TO SERIAL OR ENGINE NUMBER
 QTY PER TRACTORS SOLD (AA.BBB.CCC.DDD) (AA) FOR
 1,(BBB) 2-10 (CCC) 11-25 (DDD) 26-50

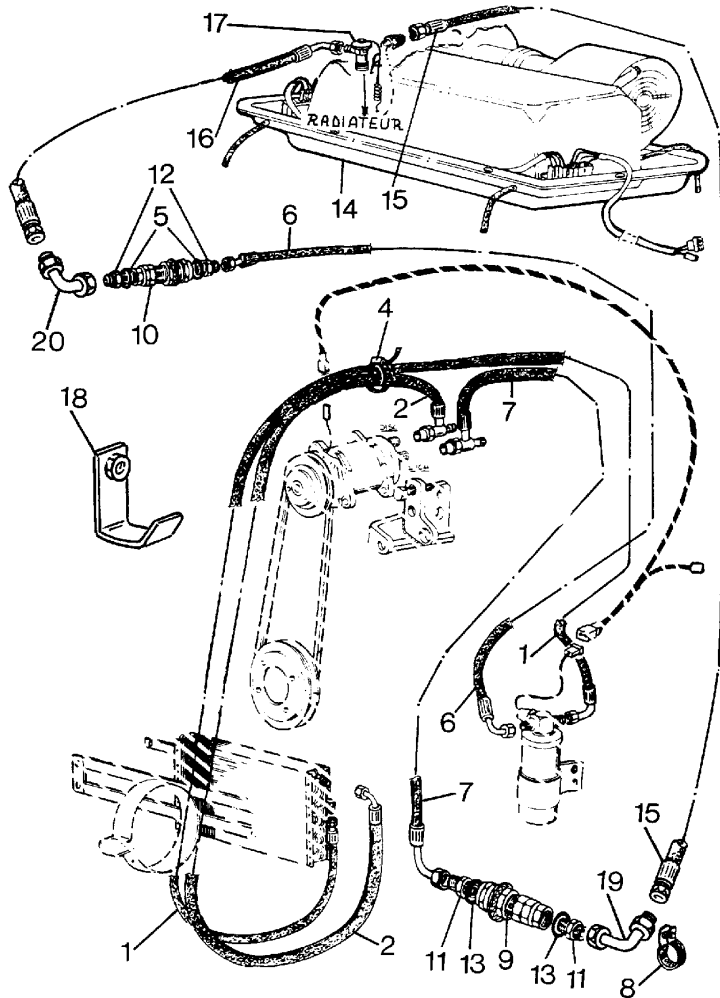
TRACTOR CAB

U-47
08

TRACTOR CAB - AIR CONDITIONER

Advantage 4 cyl 75GT
Cab

U4708



1	3551194M91		1	PIPE
2	3551008M91		1	PIPE
3	3650527M1	N.I.	2	SHEATH
4	3301575M1		10	CLAMP
5	3010474X1	➔ C46101	2	RING
6	3551193M91	● 3551198M91 (1)	1	HYDR HOSE
7	3551007M91		1	PIPE
8	3539014M91		2	CLAMP
9	3551245M91	◀	1	UNION
10	3551246M91	▶	1	UNION
11	3539011M1	➔ C46101	2	UNION
12	3539012M1	➔ C46101	2	UNION
13	368540X1		2	O RING
14		◇ U-47 11 19	1	HEATER
15		◇ U-47 11 17	1	PIPE
16		◇ U-47 11 16	1	PIPE
17		◇ U-47 11 11	1	VALVE
18	3548416M91		4	STIRRUP
19	3551248M91	◀ 90^	1	UNION
20	3551247M91	▶ 45^	1	UNION

- ➔ UP TO SERIAL OR ENGINE NUMBER
- ◇ SEE PAGE - REFERENCE NUMBER
- ◀ LEFT HAND
- ▶ RIGHT HAND

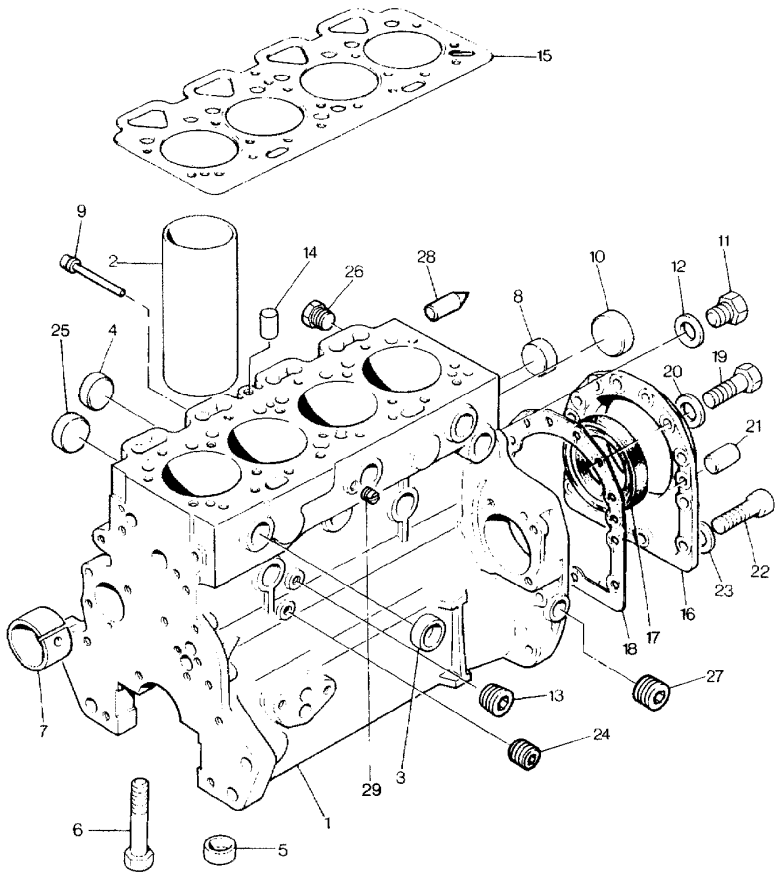
ENGINE

A-05
03

CYLINDER BLOCK - - A4.236 ENGINE

Advantage 4 cyl 75GT
Cab

A0503



- | | | | |
|----|----------|---|------|
| 26 | 32161114 | 2 | PLUG |
| 27 | 0650588 | 1 | PLUG |
| 28 | 32452113 | 1 | PIN |
| 29 | 32114143 | 1 | PLUG |

! THIS IS A COMPONENT OF AN ASSEMBLY

A PRESS FIT

B SLIP FIT

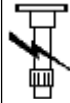
(X) QTY PER TRACTORS SOLD (AA.BBB.CCC.DDD) (AA) FOR
1,(BBB) 2-10 (CCC) 11-25 (DDD) 26-50

ENGINE

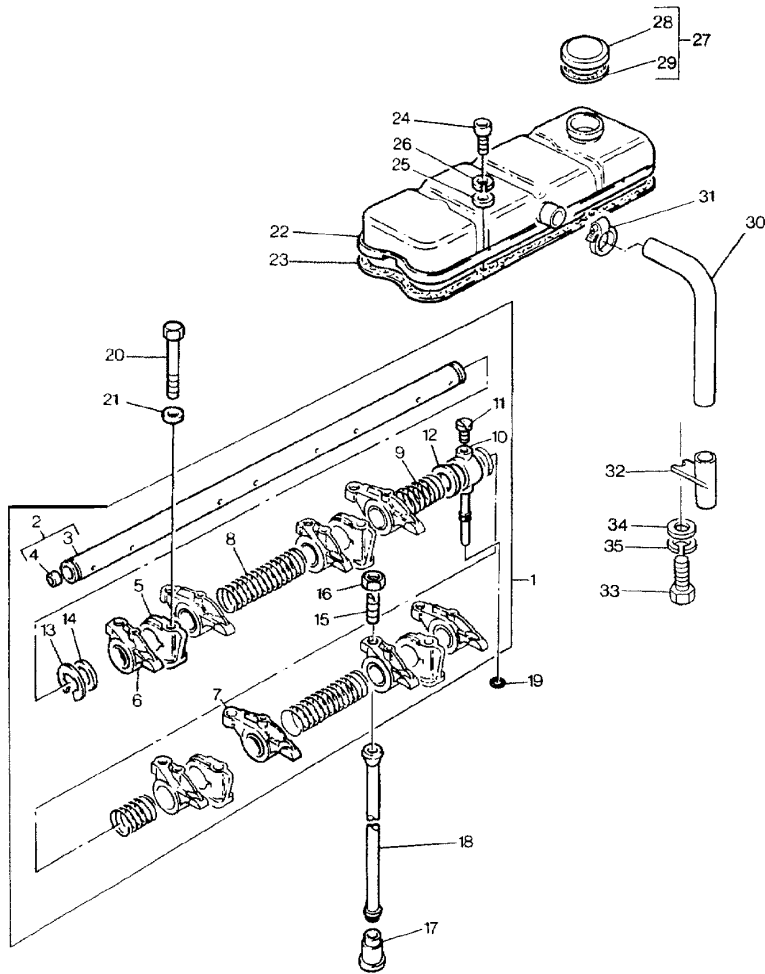
A-05
06

ROCKER SHAFT - - A4.236 ENGINE

Advantage 4 cyl 75GT
Cab



A0506



1	ZZ90158		1	SHAFT
2	ZZ90032	! (X) 0.1.2.8	1	SHAFT
3		! (X) 0.1.2.4	2	SHAFT
4	0650507	! REF.2	2	PLUG
5	3818X901	! (X) 0.0.2.4	4	POPPET
6	41151484	● 4115R305 (4)	4	LEVER
7	41151483	● 4115R306 (4)	4	LEVER
8	31744123	! 1	2	SPRING
9	31743108	! 1	2	SPRING
10	3775E012	! 1	1	UNION
11	2231236	A	1	SCREW
11	2233022	B	1	SCREW
12	33117426	● 3311K015 (2)	2	SHIM
13	0170151	! 1	2	RING
14	33117434	! 1	2	LOCK WASHER
15	0720579	● 32114145 (8)	8	SCREW
16	0576052	! 1	8	NUT
17	3142U031	! 1	8	TAPPET
18	31434307	(X) 0.0.8.16	8	ROD
19	376525X1	(X) 0.0.8.16	1	SPINNER

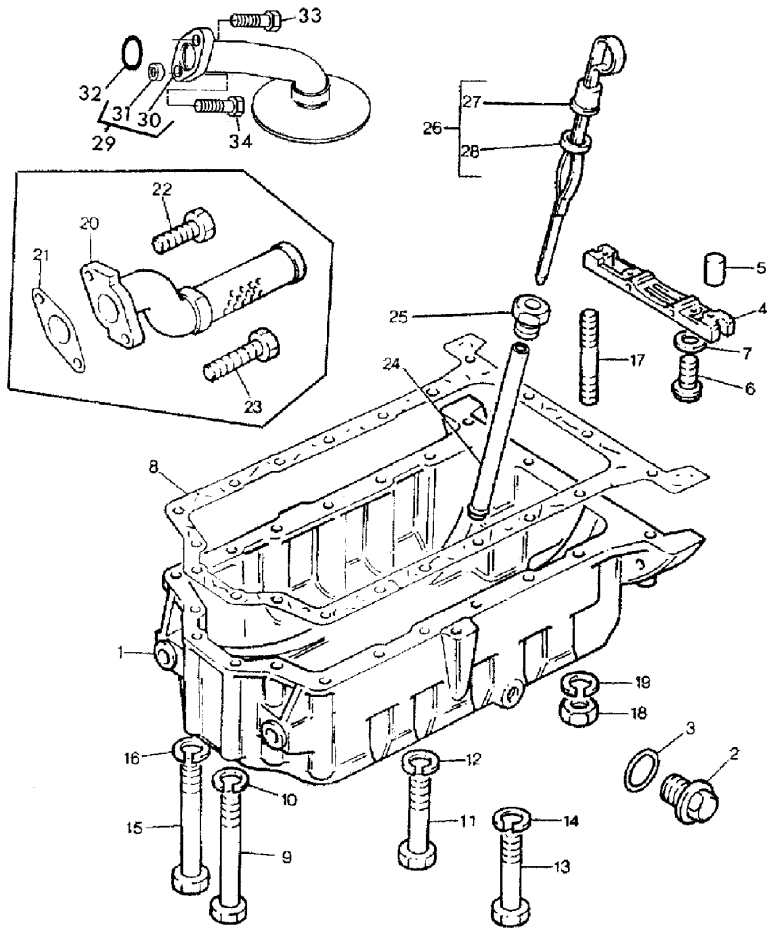
ENGINE

A-05
10

LUBRICATING OIL SUMP - - A4.236 ENGINE

Advantage 4 cyl 75GT
Cab

A0510



25	33533103		1	NUT
26		H	1	DIPSTICK
26	31787452	● 3178C095 (1) 33616437 (1)	1	ROD
		H		
		(X) 0.0.1.2		
27		! 26	1	ROD
		➡ REF.26		
28	33812108	! 26	1	SEAL
28	3383K002	! 26	1	RING
		F		
29	4134E037	E	1	PIPE
30		! 29	1	PIPE
		➡ REF.N.29		
31	3348Y007	! 29	2	INSERT
32	2415A047		1	O RING
33	2314H013		1	SCREW
34	2314H007		1	SCREW

- ! THIS IS A COMPONENT OF AN ASSEMBLY
- ➡ NOT SERVICED, ORDER
- A REFER TO BALANCER SECTION
- B USED ONLY WITH 36277831/36277833. NOT REQUIRED WITH 36277825/3627P011/3627P012
- C WAS 36277825 - USE 3627P011 WITH RELEVANT HARDWARE
- D USED ONLY WITH 3764E031
- E WAS 3764E031 - USE 3781D023 + 2415A048 + 2314H007 + 2314H013
- F USED ONLY WITH 3178C638
- G WAS 33435123 USE 3577A004 WITH 3178C638
- H 3577A004 USED ONLY WITH 3178C638
- (X) QTY PER TRACTORS SOLD (AA.BBB.CCC.DDD) (AA) FOR 1,(BBB) 2-10 (CCC) 11-25 (DDD) 26-50

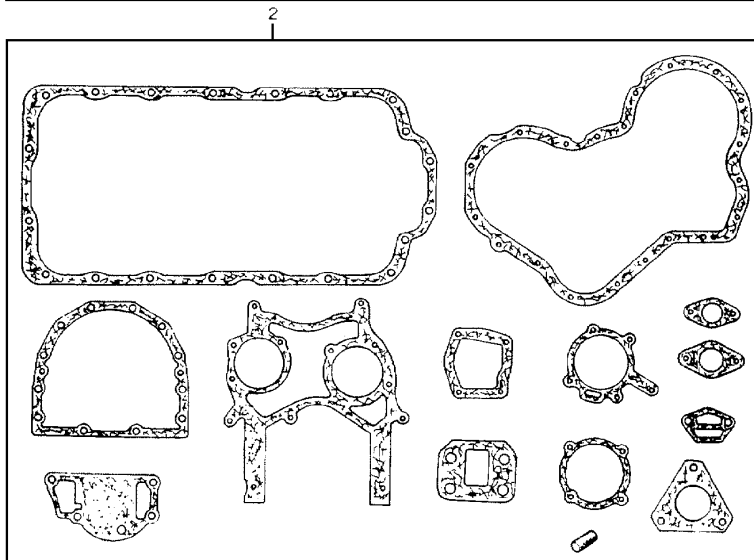
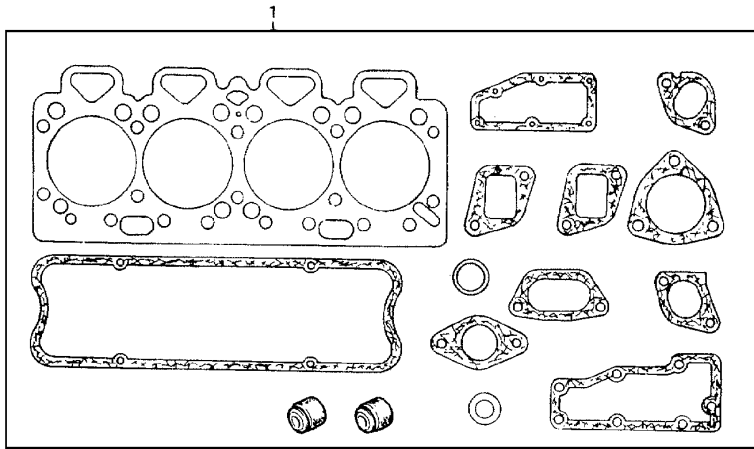
ENGINE

A-05
16

JOINTS AND GASKETS - - A4.236 ENGINE

Advantage 4 cyl 75GT
Cab

A0516



- | | | | | |
|---|----------|---|----------------|---------|
| 1 | U5LT0176 | ● | N.L.S. (999) | 999 KIT |
| | | ➔ | U106655N | |
| | | | A | |
| | | | (X) 0.1.2.8 | |
| 2 | U5LB0145 | ● | U5LB5145 (999) | 999 KIT |
| | | | B | |
| | | | C | |
| 2 | U5LB0145 | ● | U5LB5145 (999) | 999 KIT |
| | | | A | |
| | | | B | |
| | | | (X) 0.1.2.8 | |



FROM SERIAL OR ENGINE NUMBER

A

JOINTS AND GASKETS-TOP SERVICE KIT

A

WITHOUT ASBESTOS

B

JOINTS AND GASKETS-BOTTOM SERVICE KIT

C

WITH ASBESTOS

(X)

QTY PER TRACTORS SOLD (AA.BBB.CCC.DDD) (AA) FOR
1,(BBB) 2-10 (CCC) 11-25 (DDD) 26-50

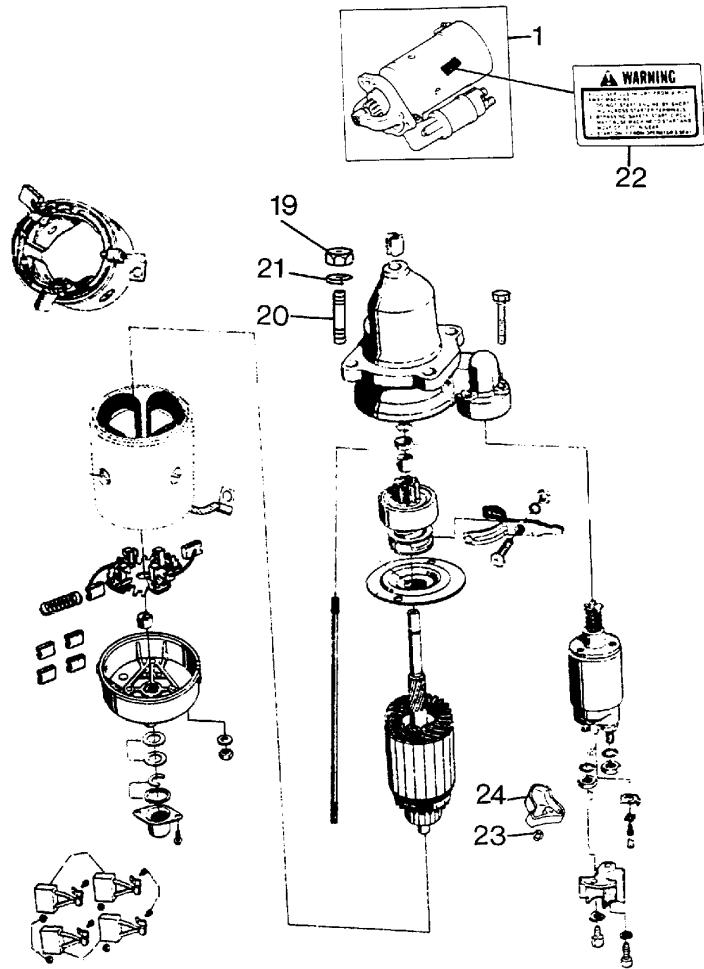
ENGINE ANCILLARY EQUIPMENT

C-32
05

TRACTOR CAB - INSULATION AND CLADDUING - WITH CAB

Advantage 4 cyl 75GT
Cab

C3205



- | | | | | | |
|----|------------|---|----------------|---|-------------|
| 1 | 3542187M91 | ● | 3539390M92 (1) | 1 | STARTERMOTO |
| | | | A | | R |
| | | | (X) 0.1.2.4 | | |
| 19 | 2188135 | | | 3 | NUT |
| 20 | 0826403 | | | 3 | STUD |
| 21 | 0920054 | | | 3 | LOCK WASHER |
| 22 | | ! | 1 | 1 | DECAL |
| | | | B | | |
| 23 | 3539395M1 | | | 1 | NUT |
| 24 | 3539392M1 | | | 1 | GUARD |

! THIS IS A COMPONENT OF AN ASSEMBLY

A PART NUMBER MUST BE ORDERED WITH ITS SAFETY DECAL.

B SEE SAFETY DECAL.

(X) QTY PER TRACTORS SOLD (AA.BBB.CCC.DDD) (AA) FOR
1,(BBB) 2-10 (CCC) 11-25 (DDD) 26-50

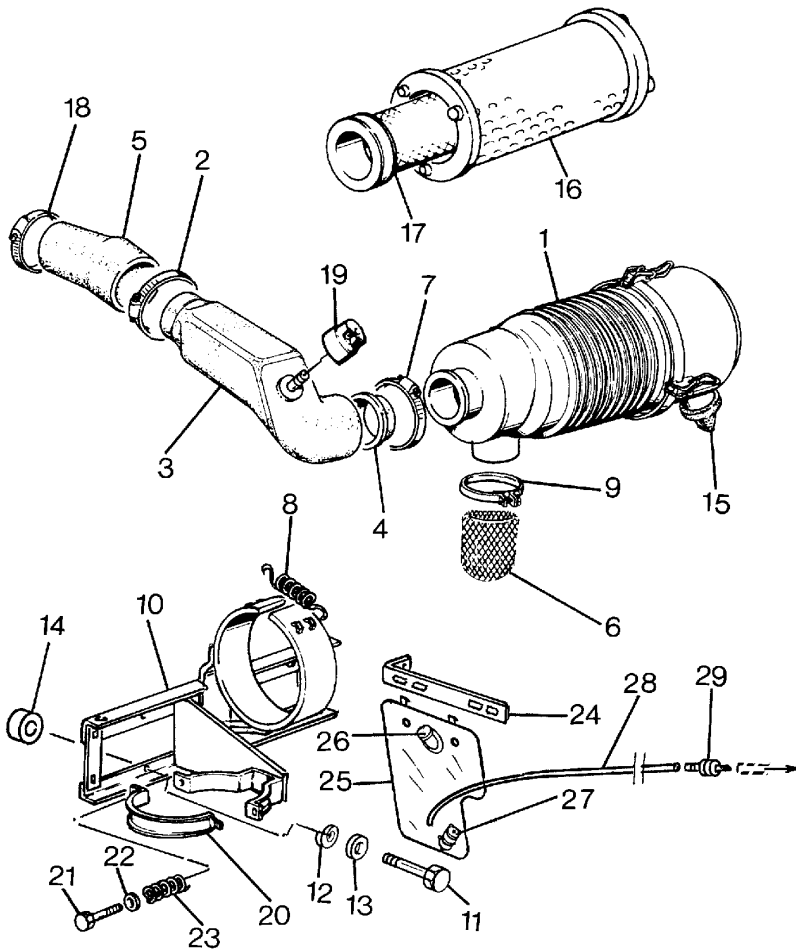
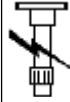
ENGINE ANCILLARY EQUIPMENT

C-32
10

DRY AIR FILTER - DUAL ELEMENT - DRY AIR CLEANER

Advantage 4 cyl 75GT
Cab

C3210



1	3543545M91	A		1	FILTER
		(X) 0.0.1.2			
2	3307669M91			1	CLAMP
3	3546882M91	●	3546882M92 (1)	1	PIPE
4	3543603M1			1	GASKET
5	3546979M2	A		1	SLEEVE
5	3546980M2	A		1	SLEEVE
6	3547030M2			1	CAP
7	394306X1			1	RETAINER
8	3542903M92			2	SPRING
9	3307667M91			1	CLAMP
10	3546896M93	●	3546896M97 (1)	1	SUPPORT
11	1440922X1	A		4	SCREW
11	339560X1	A		4	SCREW
12	339375X1			4	LOCK WASHER
13	390971X1			4	WASHER
14	3538745M1	A		4	SPACER
15	3540050M1	!	1	1	VALVE
		(X) 0.5.10.20			
16	3540046M1	!	1	1	ELEMENT
		(X) 0.10.20.40			
17	3540047M1	!	1	1	ELEMENT
		(X) 0.10.20.40			
18	3307667M91			1	CLAMP
19	3534832M92			1	VALVOMETER
20	3300128M1			1	RING
21	392526X1			1	SCREW
22	390971X1			1	WASHER
23	1860174M1			1	SPRING
24	3548089M1	➔	C52007	1	STIRRUP
25	3539651M91	➔	C52007	1	TANK
26	3311975M1	!	25	1	PLUG
		➔	C52007		

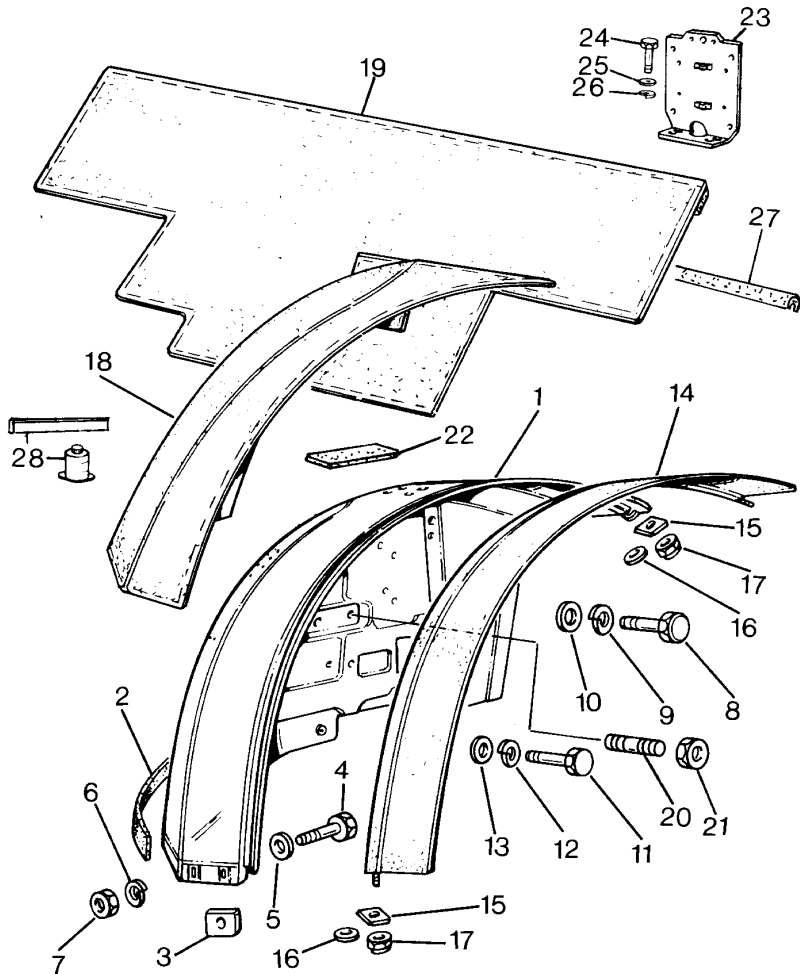
FENDERS FOOTSTEPS AND PLATFORM

S-22
02

SHEET METAL - PANELS - CLADDING PLATFORM

Advantage 4 cyl 75GT
Cab

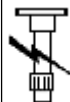
S2202



1	3547369M92	●	3009694X1 (2)	1	FENDER
		▼	3019072X1 (2)		
		▼	3548422M94 (1)		
1	3547373M92	●	3547373M93 (1)	1	FENDER
1	3548422M91	●	3548422M94 (1)	1	FENDER
		▼			
2	3548431M1		MT.2	2	GASKET
3	1424017M1			4	DAMPER
4	339761X1		M8X25	4	SCREW
5	390972X1			4	WASHER
6	339374X1			4	LOCK WASHER
7	339169X1	●	394367X1 (4)	4	NUT
8	339123X1		M8X20	4	SCREW
9	339374X1			4	LOCK WASHER
10	390972X1			4	WASHER
11	339666X1		M6X20	6	SCREW
12	339375X1			6	LOCK WASHER
13	391038X1			6	WASHER
14	3308388M92		B	2	EXTENSION
14	3308389M92		B	2	EXTENSION
15	3307164M3			4	PLATE
16	390971X1			4	WASHER
17	1442021X1			4	NUT
18	3550663M91	▶	C17024	1	FACING
		▼			
			B		
			F		
18	3550664M91	▶	C17024	1	FACING
		▼			
			F		

FRONT AXLE AND STEERING

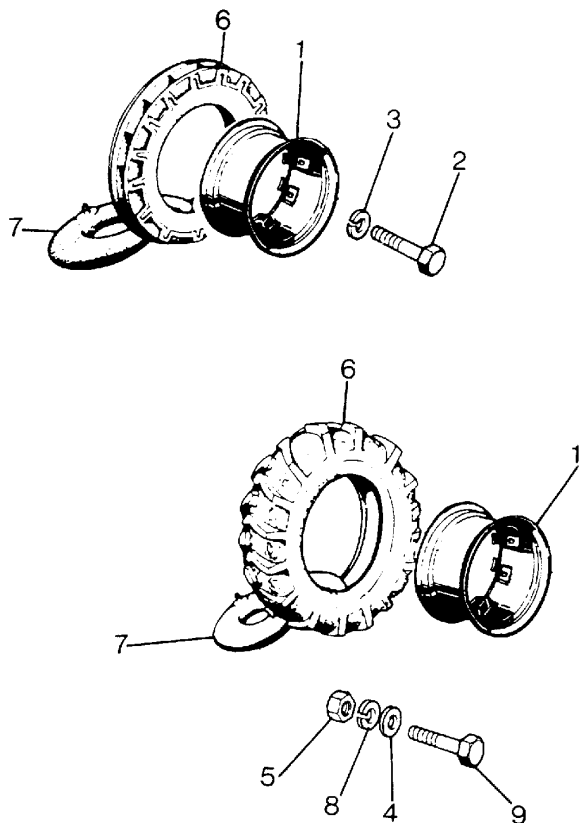
J-09
01



J0901

Advantage 4 cyl
Cab 75GT

FRONT WHEELS - HOOPS AND TYRES



3	3304540M1	II		10	LOCK WASHER
4	1441664X1	II		10	LOCK WASHER
5	3009748X1	II		10	NUT
			(X) 0.20.30.50		
6	1423758M1	II		2	TYRE
			7.50-16 6PR		
6	1823726M1	II		2	TYRE
			6.50-16 6PR		
6	3307460M1	●	N.L.A. (2)	2	TYRE
		II			
			7.5L-15 6PR		
6	3530459M1	II		2	TYRE AND TUBE
			10.5/80-18 10P		
6	3534564M1	●	3558869M1 (2)	2	TYRE AND TUBE
		II			
			250/80-18 8PR		
6	3534566M1	●	3649764M1 (2)	2	TYRE AND TUBE
		II			
			260/80 R20		
6	3535125M1	II		2	TYRE AND TUBE
			9.5/9.20 8PR		
6	3535127M1	II		2	TYRE AND TUBE
			7.50-20 6PR		
6	3538941M1	II		2	TYRE AND TUBE
			7.50-18 6PR		
6	3543125M1	II		2	TYRE AND TUBE
			6.00-16 8PR		
6	3548105M1	II		2	TYRE AND TUBE
		⊕			
			12.4-16 8PR		
6	3548399M1	II		2	TYRE AND TUBE
			260/70 R16		
6	3548400M1	II		2	TYRE AND TUBE
			260/70 R18		

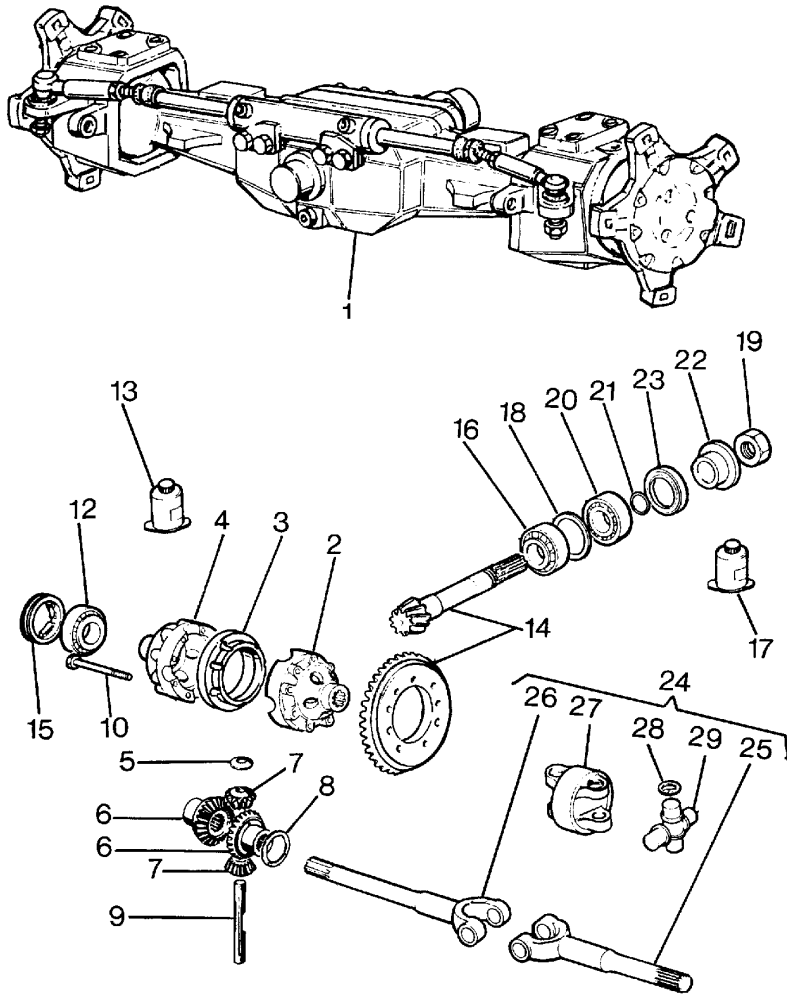
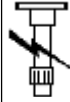
FRONT AXLE AND STEERING

J-09
05

FRONT AXLE 4 WHEEL DRIVE - DIFFERENTIAL

Advantage 4 cyl 75GT
Cab

J0905



20	339481X1		1	BEARING
		(X) 0.1.2.4		
21	366434X1		1	O RING
		(X) 0.2.4.8		
22	3428920M1		1	SPACER
		(X) 0.2.4.8		
23	3428942M1		1	SEAL
		(X) 0.2.4.8		
24	3428939M91		2	HALFSHAFT
25	3428940M1	!	2	YOKE
		(X) 0.1.2.4		
26	3428941M1	!	2	YOKE
		(X) 0.1.2.4		
27	3428456M1	!	2	BODY
		(X) 0.1.2.4		
28	390917X1	!	16	RING
		(X) 0.16.32.64		
29	3427406M1	!	4	SPIDER
		(X) 0.4.8.16		

! THIS IS A COMPONENT OF AN ASSEMBLY

▣ NOT SERVICED, ORDER

A USED WITH HYDROLOCK DIFFERENTIAL

A USED WITH STD DIFFERENTIAL

▲ SHIM

■ NUMBER OF TEETH/SPLINES

QTY PER TRACTORS SOLD (AA.BBB.CCC.DDD) (AA) FOR
1,(BBB) 2-10 (CCC) 11-25 (DDD) 26-50

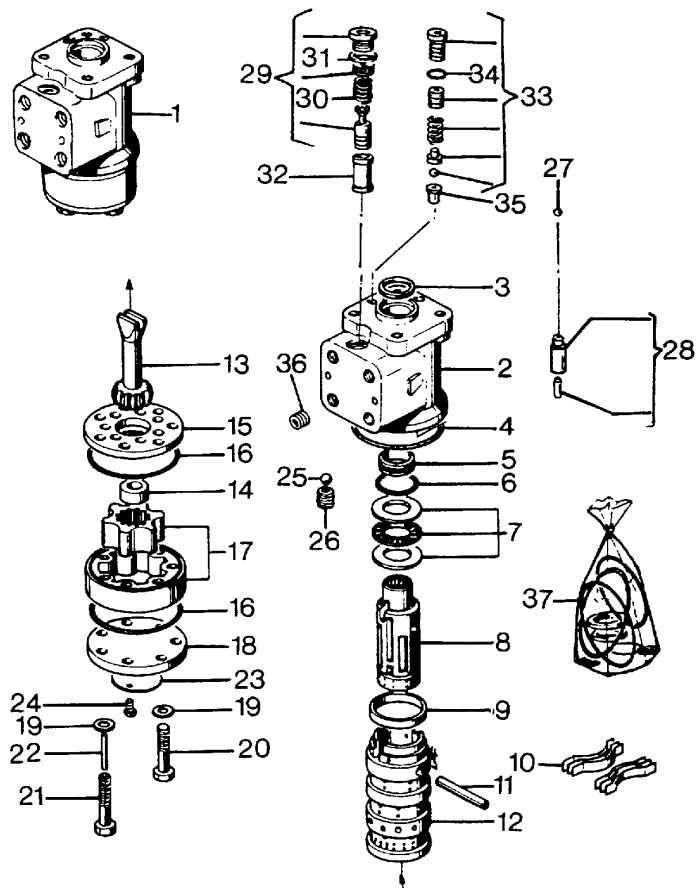
FRONT AXLE AND STEERING

J-09
10

STEERING DISTRIBUTOR "ORBITROL" UNIT - 2 WHEEL DRIVE

Advantage 4 cyl 75GT
Cab

J0910



1	3305964M92		1	DISTRIBUTOR
2		!	1	BODY
		▣	REF.N.1	
3	1887719M1	!	1	RING
			A	
4	1806314M1	!	1	RING
			A	
5	1887717M1	!	1	RING
			A	
6	1887718M1	!	1	RING
			A	
7	1894414M91	!	1	BEARING
8		!	1	VALVE
		▣	REF.N.1	
9	1806303M1	!	1	BUSH
10	1894415M1	!	1	KIT
11	1806310M1	!	1	PIN
12		!	1	BODY
		▣	REF.N.1	
13	1806416M1	!	1	SHAFT
15	1806319M1	!	1	PLATE
16	1806315M1	!	1	RING
			A	
17	1895933M91	!	1	GEAR
18	1806316M1	!	1	CAP
19	1806317M1	!	1	WASHER
20	1895935M1	!	1	SCREW
21	1895934M1	!	1	SCREW
22	1806312M1	!	1	PIN
23	1890402M1	!	1	PLATE
24	1806318M1	!	1	SCREW
25	1806311M1	!	1	BALL
26	1806313M1	!	1	SCREW
27	1897434M1	!	1	BALL

HYDRAULICS AND LINKAGE

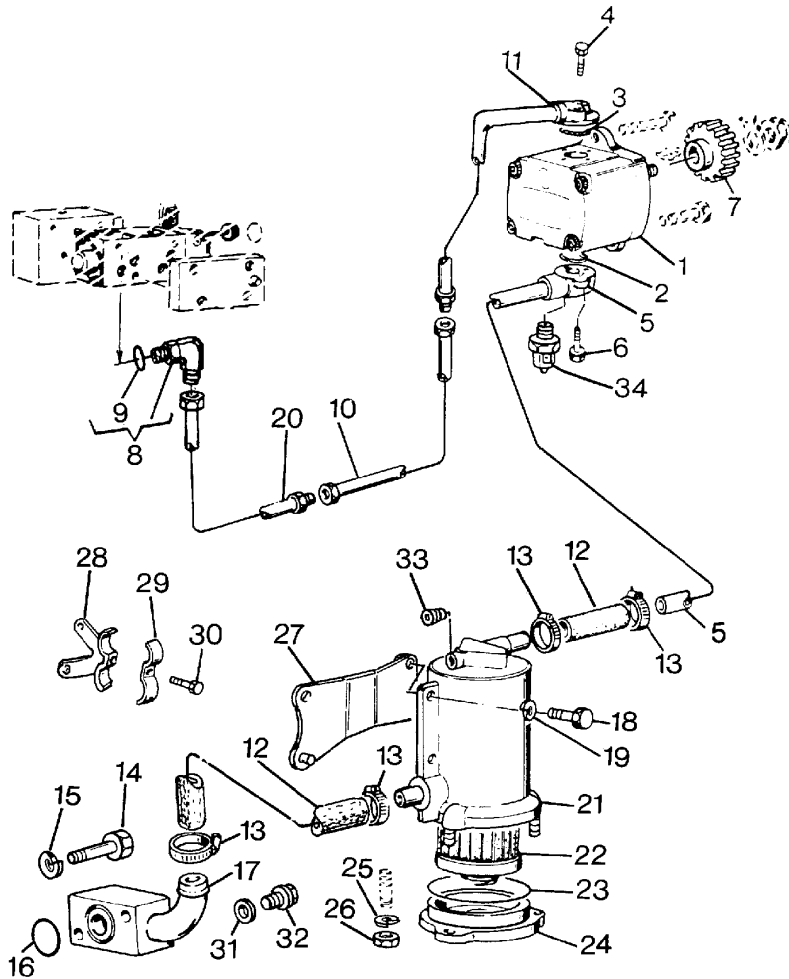
P-42
01

HYDRAULIC EQUIPMENT - LIFT PIPINGS - HIDRAULIC LINES STD.



P4201

Advantage 4 cyl 75GT
Cab

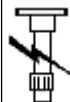


1	A	1	PUMP
	A		
1	A	1	PUMP
2		1	O RING
3		1	O RING
4		3	SCREW
5	● 3547227M92 (1)	1	PIPE
6		3	SCREW
7	▲ 16 (X) 0.2.3.4	1	GEAR
8		1	UNION
9	! 8 (X) 0.5.10.20	1	RING
10		1	PIPE
11		1	PIPE
12		2	SLEEVE
13		4	CLAMP
14		2	SCREW
15		2	LOCK WASHER
16		1	RING
17		1	FLANGE
18		2	SCREW
19		2	LOCK WASHER
20	B	1	PIPE
21		1	BODY
22		1	CARTRIDGE
23	(X) 1.20.40.80	1	RING
24		1	COVER
25		3	LOCK WASHER
26		3	NUT
27		1	SUPPORT
28	● 3546842M93 (1)	1	SUPPORT

HYDRAULICS AND LINKAGE

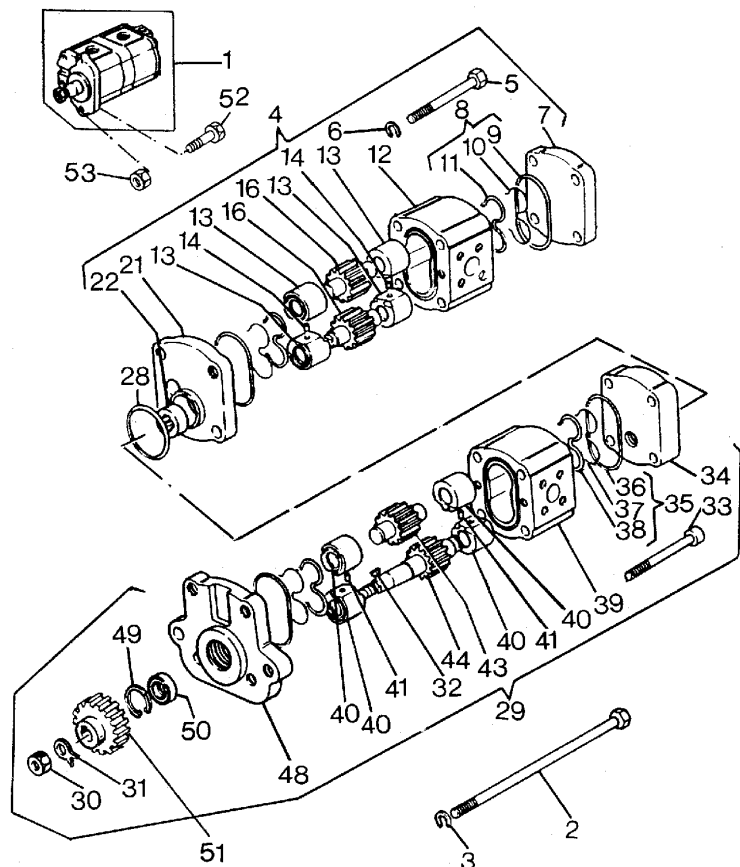
P-42
08

HYDRAULIC PUMP - - "BOSCH"



P4208

Advantage 4 cyl 75GT
Cab

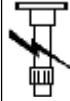


1	3595190M91	↔	3597166M91 (X) 0.0.1.2	1	PUMP
2	3105001M1	!	1	2	BOLT
3	1440314X1	!	1	2	LOCK WASHER
4		!	1	1	PUMP
		➡	REF.N.1		
5	3000036X1	!	4	2	BOLT
6	1440314X1	!	4	2	LOCK WASHER
7		!	4	1	COVER
		➡	REF.N.4		
8	3100439M91	!	4	1	KIT
9		!	8	2	RING
		➡	REF.N.8		
10		!	8	2	RING
		➡	REF.N.8		
11		!	8	2	RING
		➡	REF.N.8		
12		!	4	1	BODY
		➡	REF.N.4		
13		!	4	4	BUSH
		➡	REF.N.4		
14		!	4	2	DOWEL
		➡	REF.N.4		
16		!	4	2	GEAR
		➡	REF.N.4		
21		!	4	1	COVER
		➡	REF.N.4		
22	3104999M1	!	4	1	FERRULE
28	3104973M1	!	1	1	O RING
29		!	1	1	PUMP
		➡	REF.N.1		
30	1440953X1	!	29	1	NUT
31	339369X1	!	29	1	LOCK WASHER
32	1440358X1	!	29	1	TONGUE

HYDRAULICS AND LINKAGE

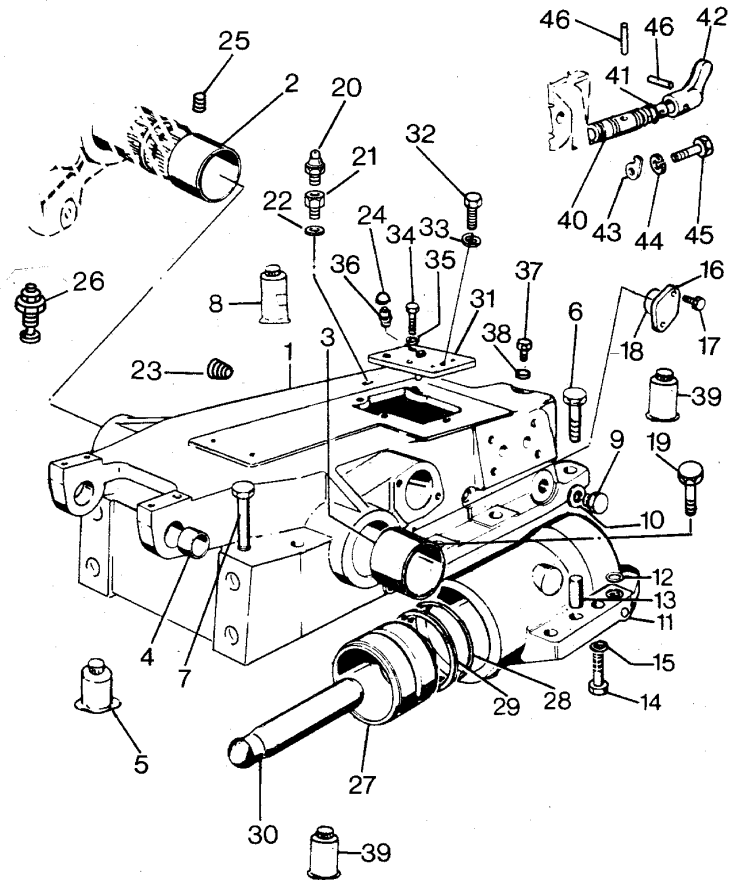
P-42
13

HYDRAULIC LIFT - LIFT ARMS



P4213

Advantage 4 cyl 75GT
Cab



1	3549082M91	●	3549082M96 (1)	1	BODY
			F		
1	3550514M91		B	1	BODY
2	1819841M1	!	1	2	BUSH
3	1825272M1	▲	1	2	BUSH
		▼			
4	1426483M1	!	1	2	BUSH
			F		
5	3308788M1			999	LOCTITE
6	1440718X1		F	11	SCREW
6	1440718X1		B	4	SCREW
7	390171X1		F	2	SCREW
7	390171X1		B	4	SCREW
8	3536801M1			999	LOCTITE
9	3547976M1		F	1	PLUG
10	1442936X1		B	1	WASHER
10	3007189X1		F	1	GASKET
11	1825278M91			1	CYLINDER
12	195562M1			1	RING
13	1440696X1			2	DOWEL
14	392242X1			4	SCREW
15	391414X1			4	LOCK WASHER
16	3533177M1	●	3533177M2 (1)	1	COVER
			B		
17	339761X1		B	2	SCREW
18	3019918X1		B	1	O RING
19	3009514X1		B	5	SCREW
			M12X70		
20	3309059M91		B	1	VENT
21	3549158M1		B	1	UNION
22	1440702X1		B	1	WASHER
23	392797X1		B	1	PLUG
24	3426772M1		F	1	GUARD

CLICK HERE TO **DOWNLOAD** THE COMPLETE MANUAL

- Thank you very much for reading the preview of the manual.
- You can download the complete manual from: www.heydownloads.com by clicking the link below



- Please note: If there is no response to CLICKING the link, please download this PDF first and then click on it.

CLICK HERE TO **DOWNLOAD** THE COMPLETE MANUAL

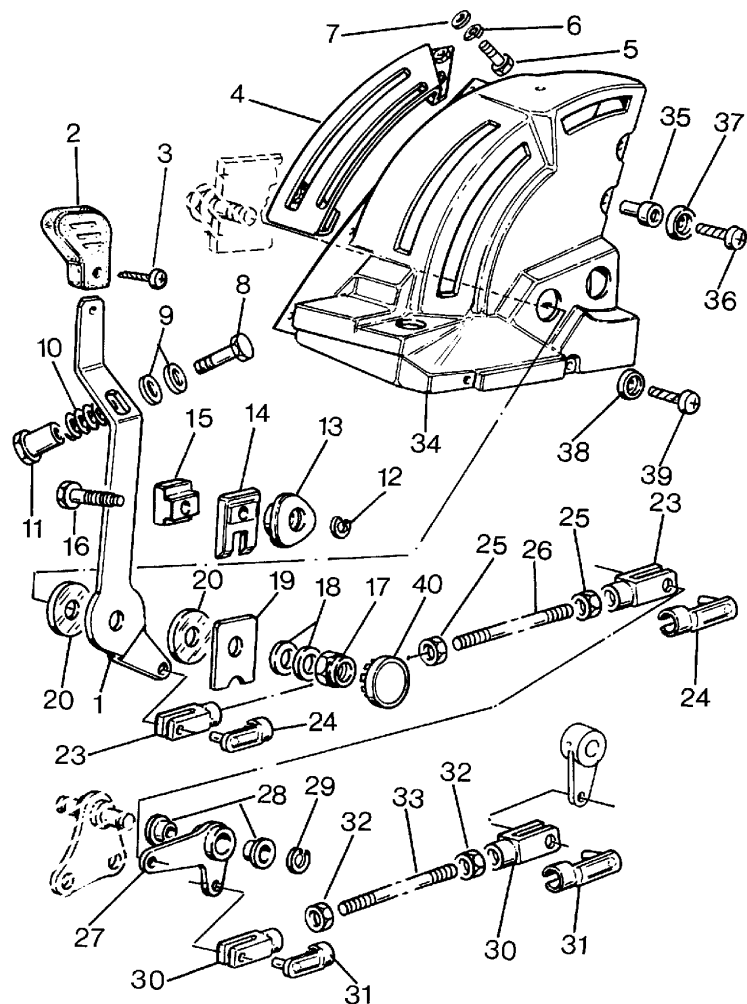
HYDRAULICS AND LINKAGE

P-42
19

MECHANICAL CONTROL LIFT - DRAFT , POSITION AND INTERMIX

Advantage 4 cyl 75GT
Cab

P4219



- | | | | | | |
|----|-----------|---|---------------|---|--------|
| 34 | 3546919M3 | ● | 3546919M4 (1) | 1 | BOX |
| 35 | 3547545M1 | | | 7 | INSERT |
| 36 | 3015137X1 | | | 7 | SCREW |
| 37 | 1427000M1 | | | 7 | WASHER |
| 38 | 3547333M1 | | | 1 | WASHER |
| 39 | 3015153X1 | | | 1 | SCREW |
| 40 | 3305360M1 | | | 2 | PLUG |

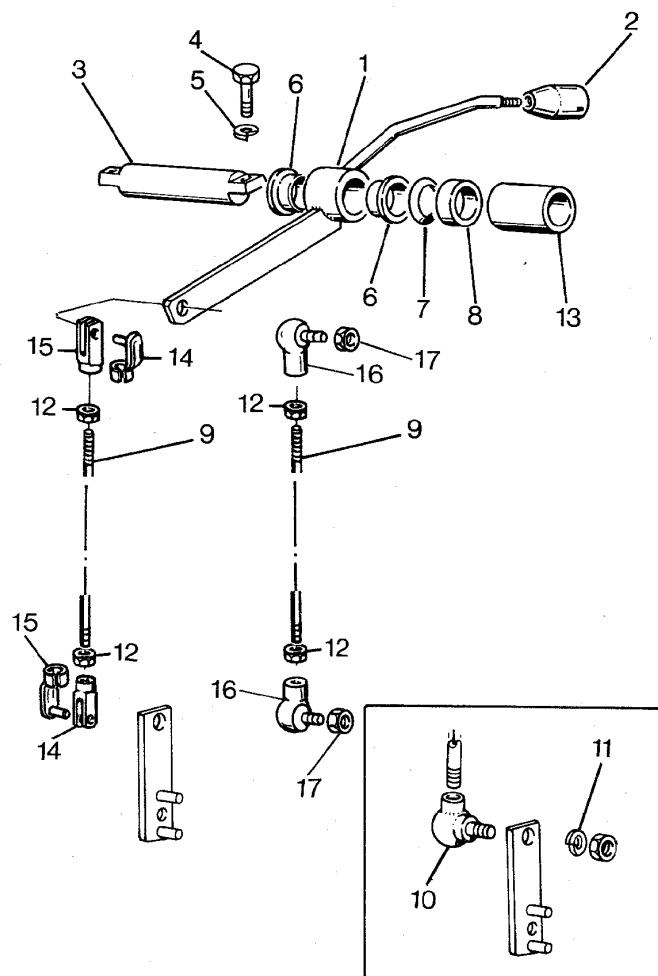
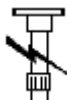
HYDRAULICS AND LINKAGE

P-42
227

AUXILIARY DISTRIBUTOR - CONTROL FOR 1.0 DDISTRIBUTOR

Advantage 4 cyl 75GT
Cab

P42227



- | | | | | |
|----|------------|-----------------|---|-------------|
| 1 | 3545531M92 | A | 1 | DISTRIBUTOR |
| 1 | 3546760M91 | B | 1 | LEVER |
| 2 | 3304484M1 | | 1 | LEVER |
| 2 | 3304484M1 | | 1 | KNOB |
| 3 | 3545910M1 | | 1 | SHAFT |
| 4 | 339123X1 | | 2 | SCREW |
| 5 | 339374X1 | | 2 | LOCK WASHER |
| 6 | 3545939M1 | | 2 | BUSH |
| 7 | 3546309M1 | | 3 | SPRING |
| 8 | 3545940M1 | | 4 | SPACER |
| 9 | 3549485M1 | ● 3549485M2 (1) | 1 | TIE ROD |
| 10 | 1423816M91 | ➔ B32126 | 2 | UNIVERSAL |
| | | D | | |
| 11 | 339375X1 | ➔ B32126 | 2 | LOCK WASHER |
| | | D | | |
| 12 | 339030X1 | ● 1441500X1 (2) | 2 | NUT |
| 13 | 3546311M2 | | 2 | SPACER |
| 14 | 392463X1 | ➔ B32127 | 2 | YOKE |
| | | D | | |
| 15 | 3307701M91 | ➔ B32127 | 2 | RETAINER |
| | | D | | |
| 16 | 1423816M91 | F | 2 | UNIVERSAL |
| 17 | 339030X1 | ● 1441500X1 (2) | 2 | NUT |
| | | F | | |
- ➔ FROM SERIAL OR ENGINE NUMBER
 ➔ UP TO SERIAL OR ENGINE NUMBER
 A WITH STD. HYDRAULIC LIFT - MECANICAL CONTROL
 B WITH ELECTRONIC LIFT
 D WITH TILL AUXILIARY HYDRAULIC VALVE
 F WITH AUXILIARY HYDRAULIC VALVE HIDROIRMA

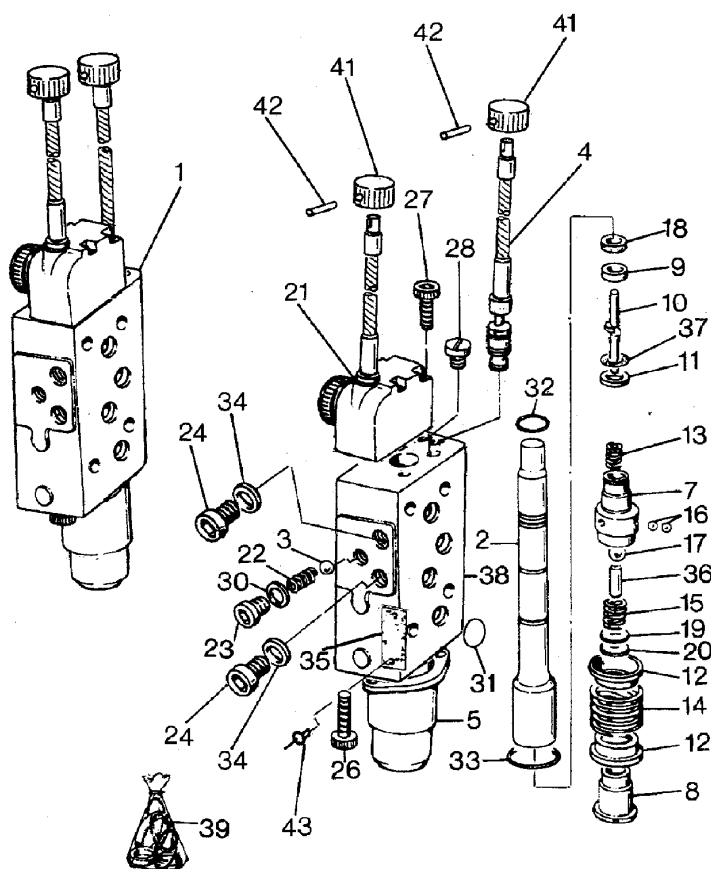
HYDRAULICS AND LINKAGE

P-42
27

AUXILIARY FLOATING DISTRIBUTOR - FROM SERIAL N.B32127

Advantage 4 cyl 75GT
Cab

P4227

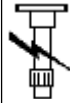


33	3105126M1	!	1	1 RING
			B	
34	1442936X1	!	1	1 WASHER
			B	
35		!	1	1 LICENCE PLATE
			A	
36	3105127M1	!	1	1 SPACER
37	3105128M1	!	1	1 RING
			B	
38		!	1	1 BODY
			➡	REF.N.1
39	3105175M91		1	1 KIT
			(X) 0.4.8.16	
41	3532741M91	!	1	2 KNOB
			(X) 0.4.8.16	
42	3009329X1	!	41	2 SCREW
43	391283X1	!	1	2 NAIL, NOTCHED
!	THIS IS A COMPONENT OF AN ASSEMBLY			
➡	NOT SERVICED, ORDER			
A	"TILL" TYPE			
A	NOT SUPPLIED			
B	INCLUDED ON REPAIR KIT 3105175M91			
(X)	QTY PER TRACTORS SOLD (AA.BBB.CCC.DDD) (AA) FOR 1,(BBB) 2-10 (CCC) 11-25 (DDD) 26-50			

HYDRAULICS AND LINKAGE

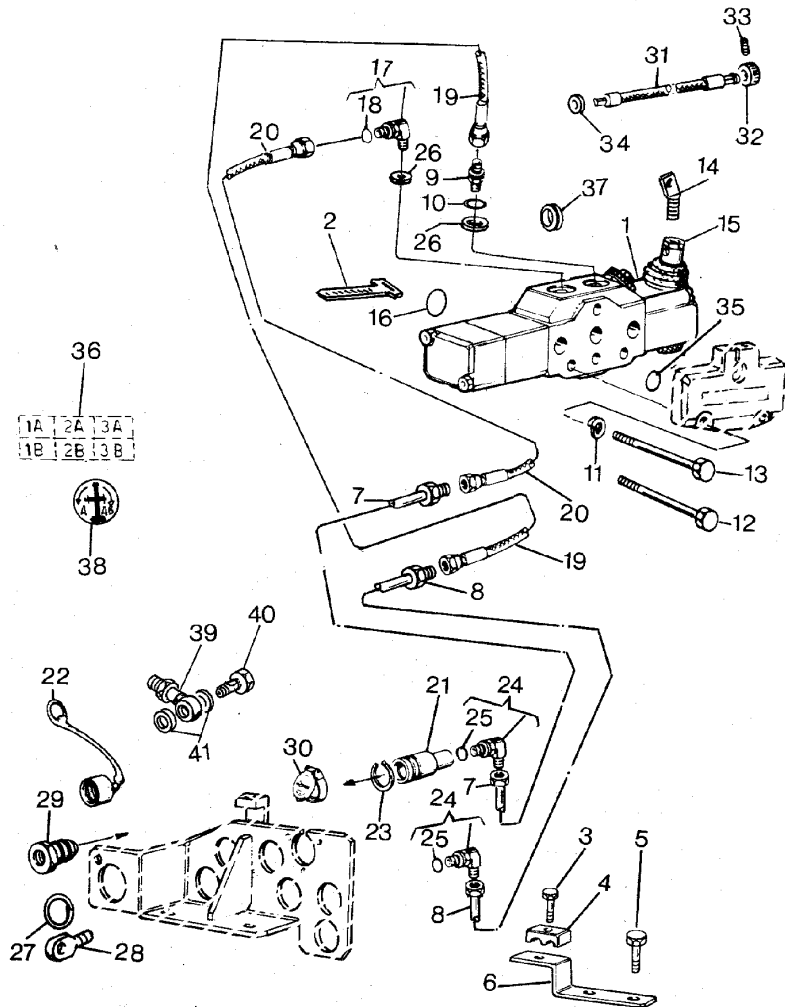
P-42
295

AUXILIARY HYDRAULIC VALVE LINES - "HIDROIRMA" - WITH 4.0 DISTRIBUTORES



P42295

Advantage 4 cyl 75GT
Cab



24	1424962M92	B	5	ELBOW
24	1424962M92	D	5	ELBOW
25	831497M1	! 24	5	RING
		D		
25	831497M1	! 24	5	RING
		B		
26	1425358M2		3	WASHER
27	1426252M1		1	RING
28	3308938M1		1	PIN
29	3304415M91		8	UNION
30	3530933M91	● 3530933M92 (6)	6	PLUG
		B		
30	3530933M91	● 3530933M92 (8)	8	PLUG
		D		
31	3538009M91	F	4	CABLE
31	3548836M91	B	4	CABLE
32	3532741M91		4	KNOB
33	3009329X1	! 32	4	SCREW
34	3302905M1		4	RING
35	3019926X1	! 1	4	O RING
36	3532818M2	● 3532818M3 (1)	1	DECAL
37	3535133M1		3	RING
38	3550897M1		4	DECAL
39	3549906M91	D	1	UNION
40	394202X1	● 3553651M1 (1)	1	UNION
		D		
41	3554594M1	D	2	WASHER

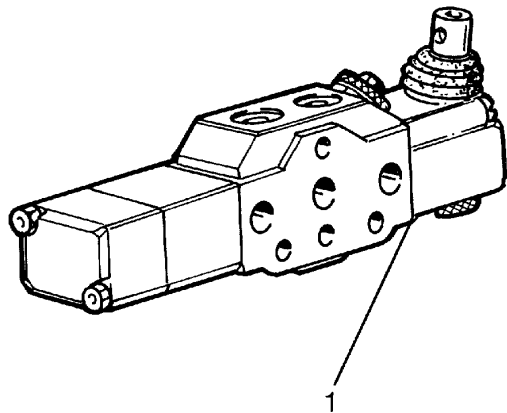
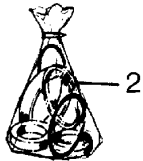
HYDRAULICS AND LINKAGE

P-42
37

AUXILIARY FLOATING DISTRIBUTOR - HYDROIRMA TYPE FLOATING

Advantage 4 cyl
Cab 75GT

P4237



1	3547486M92	●	N.L.S. (1)	1	DISTRIBUTOR
			B		
			B		
2	3540186M91		(X) 0.4.8.16	1	KIT
3	3762561M1	!	2	1	RING
			A		
4	1441514X1	!	2	3	O RING
			A		
5	3019915X1	!	2	3	O RING
			A		
6	3019926X1	!	2	1	O RING
			A		
7	359291X1	!	2	1	O RING
			A		
8	359289X1	!	2	1	O RING
			A		
9		!	2	1	RING
			A		
10	3540288M1	!	1	1	BELLOWS
!	THIS IS A COMPONENT OF AN ASSEMBLY				
A	NOT ILLUSTRATED				
B	WITH AUXILIARY HYDRAULIC VALVE CLEARANCE				
B	WITH ELECTRONIC LIFT				
(X)	QTY PER TRACTORS SOLD (AA.BBB.CCC.DDD) (AA) FOR 1,(BBB) 2-10 (CCC) 11-25 (DDD) 26-50				

HYDRAULICS AND LINKAGE

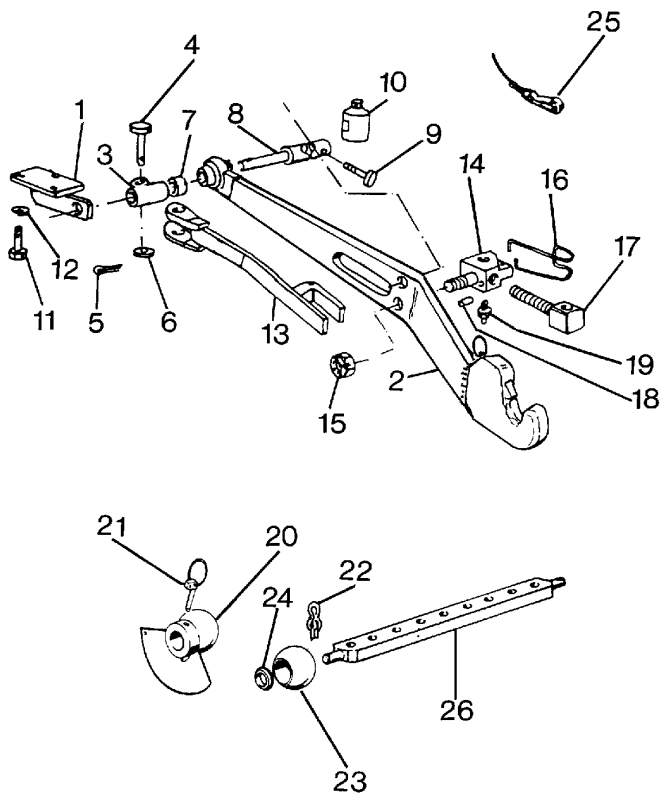
P-42
42

LINKAGE - QUICK ATTACH



P4242

Advantage 4 cyl 75GT
Cab



- | | | | | |
|----|-----------|---|---|-----|
| 26 | 3306432M2 | | 1 | BAR |
| | | B | | |
| 26 | 3308242M1 | | 1 | BAR |
| 26 | 829032M1 | | 1 | ROD |
| | | B | | |



SEE PAGE - REFERENCE NUMBER



ALTERNATIVE



CATEGORY II A



FOR CAT I A



LEFT HAND



RIGHT HAND

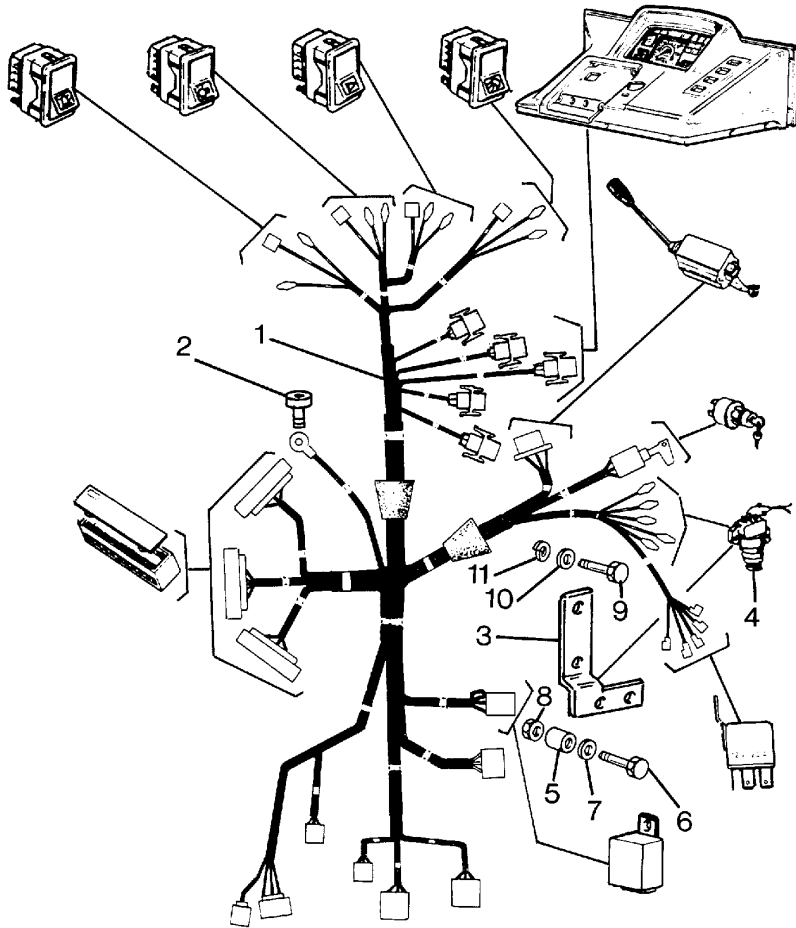
LIGHTING EQUIPMENT

D-00
04

ELECTRONIC HARNESS - INSTRUMENT PANEL

Advantage 4 cyl 75GT
Cab

D0004



- | | | | | |
|----|------------|--------------|---|-------------|
| 1 | 3549165M91 | ⊕ D-00 02 3 | 1 | HARNESS |
| 2 | 395579X1 | | 1 | SCREW |
| 3 | 3547497M1 | | 1 | SUPPORT |
| 4 | 3532018M91 | | 2 | SWITCH,IND |
| | | (X) 0.4.8.12 | | |
| 5 | 3547021M1 | | 2 | SPACER |
| 6 | 3015144X1 | | 2 | SCREW |
| 7 | 390468X1 | | 4 | LOCK WASHER |
| 8 | 1443615X1 | | 2 | NUT |
| 9 | 339560X1 | | 2 | SCREW |
| 10 | 390971X1 | | 2 | WASHER |
| 11 | 339375X1 | | 2 | LOCK WASHER |

⊕ SEE PAGE - REFERENCE NUMBER

QTY PER TRACTORS SOLD (AA.BBB.CCC.DDD) (AA) FOR
1,(BBB) 2-10 (CCC) 11-25 (DDD) 26-50

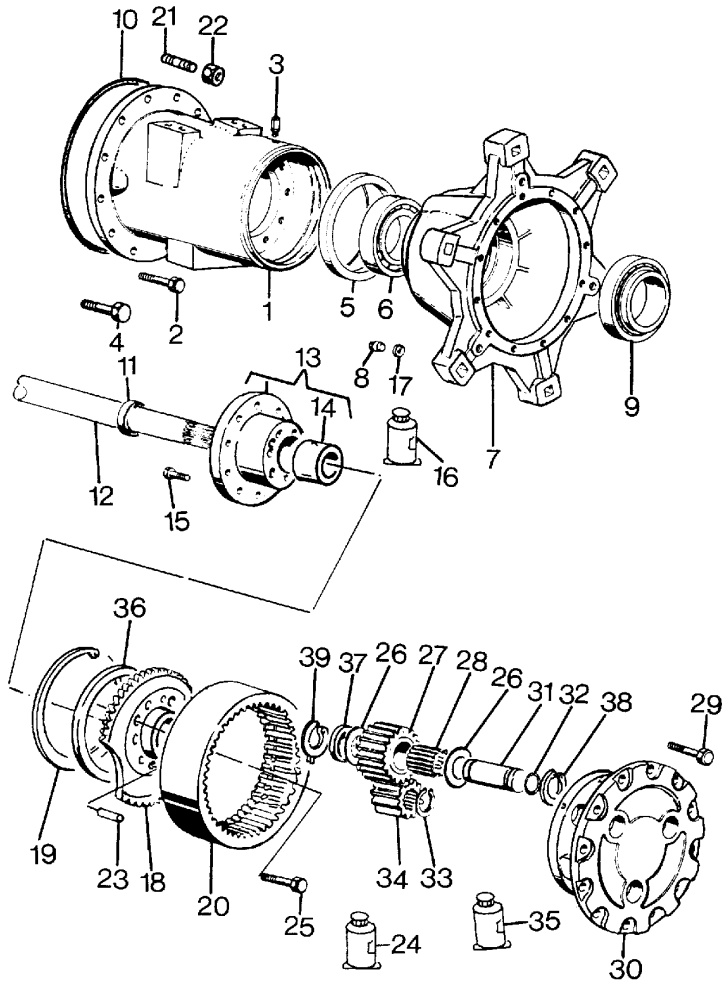
REAR AXLE AND REAR BRAKES

G-40
02

REAR AXLE - HOUSING AND WHEEL HUB

Advantage 4 cyl 75GT
Cab

G4002

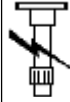


1	3533022M3	◀	1	SUPPORT
1	3533023M4	▶	1	SUPPORT
1	3539983M2	◀	1	SUPPORT
		C		
1	3539984M3	▶	1	SUPPORT
		C		
2	3304694M1	◄	5	SCREW
3	1823603M91		2	PLUG
4	3000253X1	◄	13	SCREW
5	3019960X1		2	SEAL
		(X) 0.0.2.4		
5	3542764M91	C	2	RING
		(X) 0.0.2.4		
6	3426851M2		2	BEARING
		(X) 0.2.4.6		
7	3547563M1	STD	2	HUB
7	3547565M1	C	2	HUB
		STD		
7	3547688M1	PAVT	2	HUB
8	3532632M91		2	PLUG
9	3426851M2		2	BEARING
		(X) 0.2.4.6		
10	3304650M1		2	RING
		(X) 0.4.8.16		
11	1441815X1		4	RING
12	3533031M1		2	HALFSHAFT
13	3533032M92		2	SPINDLE
14	3533036M1	! 13	2	BUSH
15	391934X1		24	SCREW
16	3545546M1		1	LOCTITE
		(X) 0.2.4.6		
17	1440702X1		2	WASHER
18	3427400M2		2	FLANGE
19	3426868M1		2	RING

REAR AXLE AND REAR BRAKES

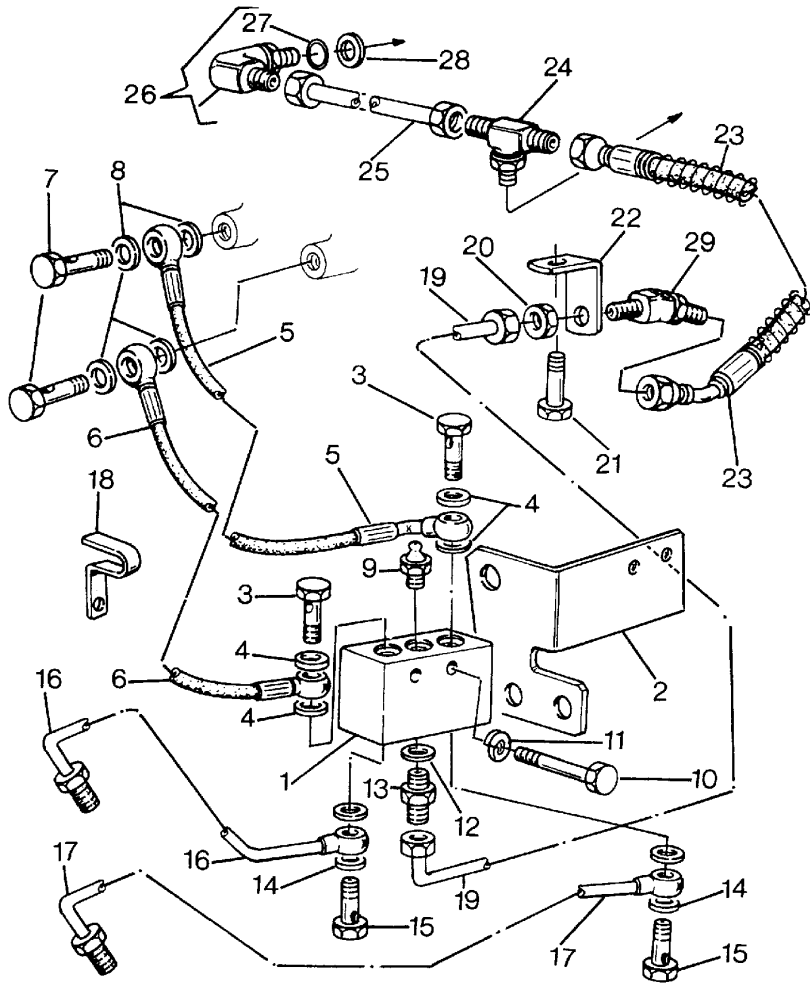
G-40
06

BRAKE AND CONTROLS - PEDALS - PIPINGS



G4006

Advantage 4 cyl 75GT
Cab



- | | | | | | |
|----|------------|----|----------------|---|-----------|
| 20 | 356612X1 | ➔ | B22050 | 1 | NUT |
| 21 | 339124X1 | | | 1 | SCREW |
| 22 | 3546679M2 | | | 1 | STIRRUP |
| 23 | 3545818M91 | ● | 3548233M91 (1) | 1 | HYDR HOSE |
| | | ➔ | 356612X1 (1) | | |
| | | | 371089X1 (1) | | |
| | | | B22049 | | |
| 23 | 3548233M91 | ➔ | B22050 | 1 | HYDR HOSE |
| 24 | 3547247M91 | | | 1 | UNION |
| 25 | 3545819M91 | ≡≡ | | 1 | PIPE |
| 26 | 3306705M92 | ≡≡ | | 1 | UNION |
| 27 | 3015160X1 | ! | 26 | 1 | O RING |
| 28 | 3548877M1 | | | 1 | WASHER |
| 29 | 371089X1 | ➔ | B22050 | 1 | UNION |

- ! THIS IS A COMPONENT OF AN ASSEMBLY
- ➔ FROM SERIAL OR ENGINE NUMBER
- ≡≡ UP TO SERIAL OR ENGINE NUMBER
- A WITH HYDRAULIQUE TRAILER BEAKING SYSTEM "ITALIA"
- B WITHOUT HYDRAULIQUE TRAILER BEAKING SYSTEM
- ≡≡ 4 WHEEL DRIVE
- ≡≡ 2 WHEEL DRIVE
- ◀ LEFT HAND
- ▶ RIGHT HAND

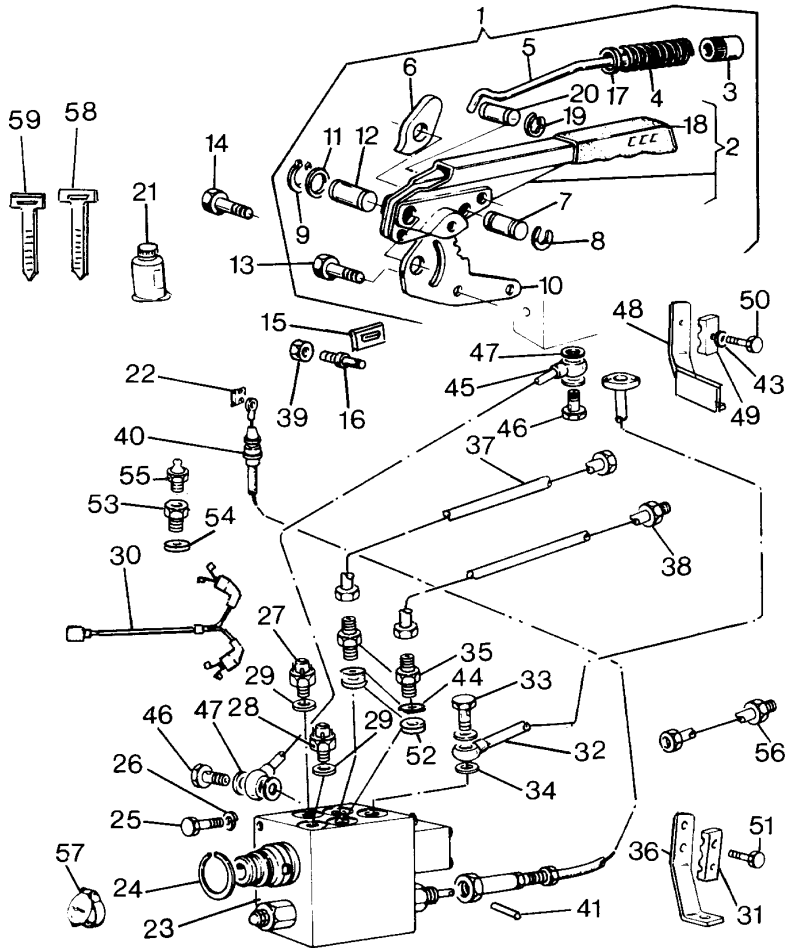
REAR AXLE AND REAR BRAKES

G-40
115

JOINTS AND GASKETS-TOP SERVICE KIT - PLATE C - "1004-40T" GREEN ENGINE

Advantage 4 cyl 75GT
Cab

G40115



- | | | | | |
|----|------------|------------------|---|-------------|
| 31 | 3535398M1 | | 1 | CONNECTOR |
| 32 | 3547860M92 | | 1 | PIPE |
| 33 | 394200X1 | HIDROIRMA | 2 | UNION |
| 33 | 394200X1 | TILL | 1 | UNION |
| 34 | 3554595M1 | TILL | 2 | WASHER |
| 34 | 3554595M1 | HIDROIRMA | 4 | WASHER |
| 35 | 3300775M93 | | 2 | UNION |
| 36 | 3547625M1 | | 1 | STIRRUP |
| 37 | 3547859M92 | TILL | 1 | PIPE |
| 37 | 3549117M91 | HIDROIRMA | 1 | PIPE |
| 38 | 3547858M92 | | 1 | PIPE |
| 39 | 394367X1 | | 1 | NUT |
| 40 | 3546843M92 | ● 3546843M93 (1) | 1 | CABLE |
| 41 | 3015133X1 | | 1 | PIN |
| 43 | 339375X1 | | 1 | LOCK WASHER |
| 44 | 3015165X1 | ! 35 | 2 | O RING |
| 45 | 3547861M91 | B | 1 | PIPE |
| 46 | 394209X1 | | 2 | UNION |
| 47 | 1440993X1 | ● 1444744X1 (4) | 4 | GASKET |
| 48 | 3547853M91 | ● 3547853M94 (1) | 1 | STIRRUP |
| 49 | 3547117M1 | | 1 | PLATE |
| 50 | 391074X1 | | 1 | SCREW |
| 51 | 1442692X1 | | 2 | SCREW |
| 52 | 3548879M1 | | 2 | WASHER |
| 53 | 394209X1 | | 1 | UNION |
| 54 | 1440993X1 | ● 1444744X1 (2) | 2 | GASKET |
| 55 | 3535742M1 | ● 3673839M1 (1) | 1 | SCREW |
| 56 | 3546730M91 | B | 1 | PIPE |
| | | TILL | | |

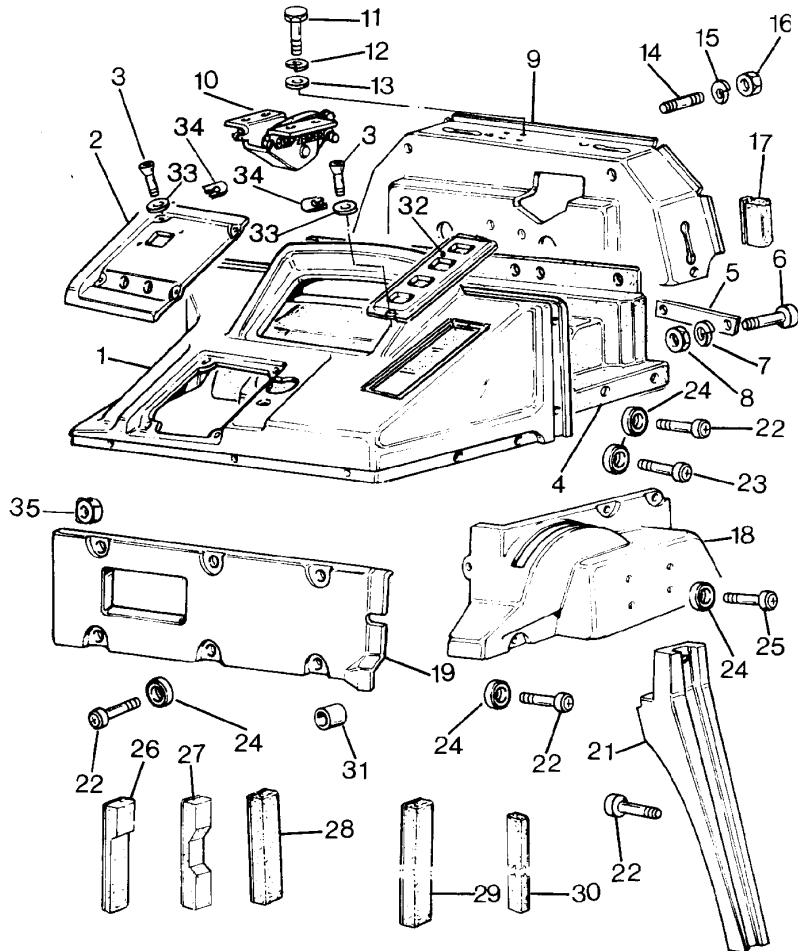
SHEET METAL

R-20
04

SHEET METAL - PANELS

Advantage 4 cyl 75GT
Cab

R2004



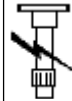
- | | | | | |
|----|-----------|-----------------|-----|-----------|
| 26 | 3548839M1 | | 1 | GASKET |
| 27 | 3548838M1 | | 1 | GASKET |
| 28 | 3548840M1 | | 1 | GASKET |
| 29 | 3548152M1 | MT.1,50 | 999 | GASKET |
| 30 | 3547987M1 | MT.3 | 999 | GASKET |
| 31 | 3532923M1 | | 2 | SPACER |
| 32 | 3549414M1 | ● 3549414M2 (1) | 1 | COVER |
| 33 | 1427000M1 | | 6 | WASHER |
| 34 | 3536060M1 | | 6 | NAMEPLATE |
| 35 | 3546840M2 | | 2 | INSERT |

◀ LEFT HAND
▶ RIGHT HAND

SHEET METAL

R-20
09

DECALS



R2009

Advantage 4 cyl 75GT
Cab

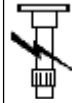


- Ⓓ FOR GERMANY ONLY
- Ⓔ FOR FRANCE ONLY
- Ⓘ FOR ITALY ONLY
- ⒼB FOR U.K. ONLY
- C IN ENGLISH
- D GERMAN
- H IN FRENCH
- I SPANISH
- ⒺS FOR UNITED STATES OF AMERICA

TRANSMISSION

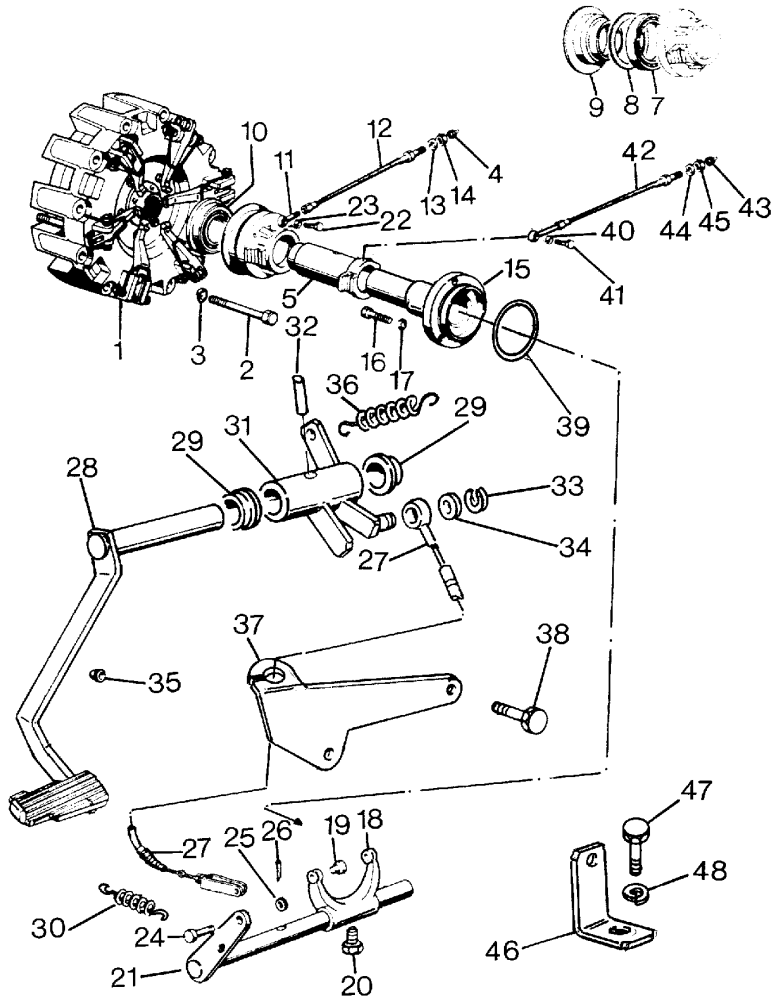
E-04
03

CLUTCH PEDAL AND LINKAGE



E0403

Advantage 4 cyl 75GT
Cab



1		A		1 CLUTCH
2	1441919X1	E		6 SCREW
		M10X60		
		(X) 0.12.24.48		
2	339084X1	D		12 SCREW
		(X) 0.12.24.48		
2	391924X1	E		6 SCREW
		M10X50		
		(X) 0.12.24.48		
3	1440314X1	E		6 LOCK WASHER
3	339374X1	D		12 LOCK WASHER
4	1440838X1			1 GREASER
5	1821699M3	●	1821699M4 (1)	1 COLLAR
		A		
6	3306507M91	●	3306507M93 (1)	1 COLLAR
		D		
7	1442381X1	D		1 BEARING
8	1821722M1			1 DISC
9	1423472M1	●	1423472M2 (1)	1 DISC
		D		
10	1423473M93	●	1423473M94 (1)	1 COLLAR
		A		
		(X) 0.2.4.8		
11	394578X1			1 UNION
12	3306485M91			1 HYDR HOSE
13	1440316X1			1 LOCK WASHER
14	339070X1			1 NUT
15	3545155M1	●	3545155M3 (1)	1 SUPPORT
16	339761X1			3 SCREW
17	1440314X1			3 LOCK WASHER
18	3534198M2	●	3534198M3 (1)	1 YOKE
		A		
19	973144M1			2 PIN

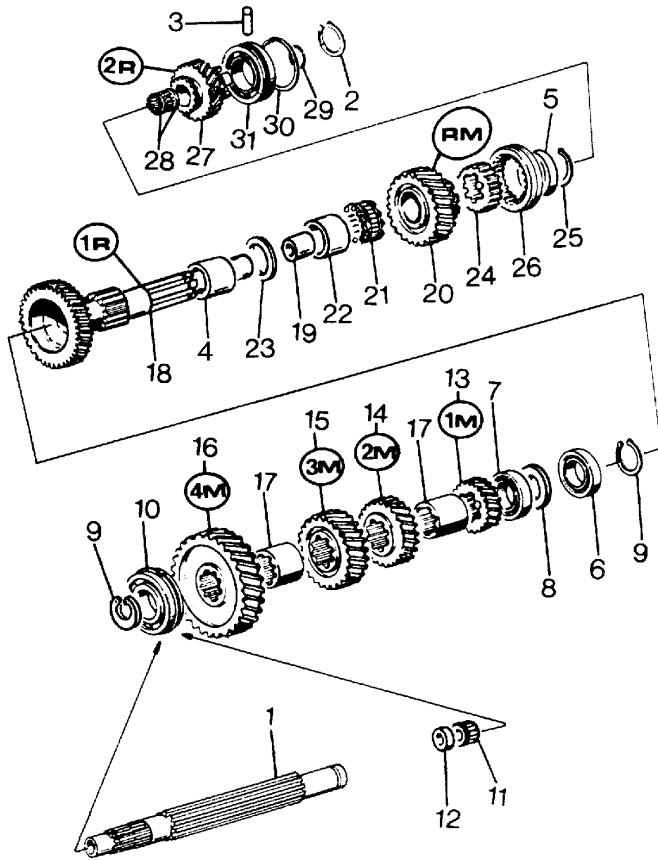
TRANSMISSION

E-04
07

TRANSMISSION - OUTPUT SHAFT

Advantage 4 cyl 75GT
Cab

E0407



27	3534368M1	25	1	GEAR
28	395567X1		2	CAGE
29	395566X1		1	RING
30	339517X1		1	RING
31	1443559X1		1	BEARING

(X) 0.2.4.8

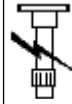
! THIS IS A COMPONENT OF AN ASSEMBLY
A SHUTTLE WITHOUT
A WITH REVERSOMATIC TRANSMISSION
NUMBER OF TEETH/SPLINES

QTY PER TRACTORS SOLD (AA.BBB.CCC.DDD) (AA) FOR
1,(BBB) 2-10 (CCC) 11-25 (DDD) 26-50

TRANSMISSION

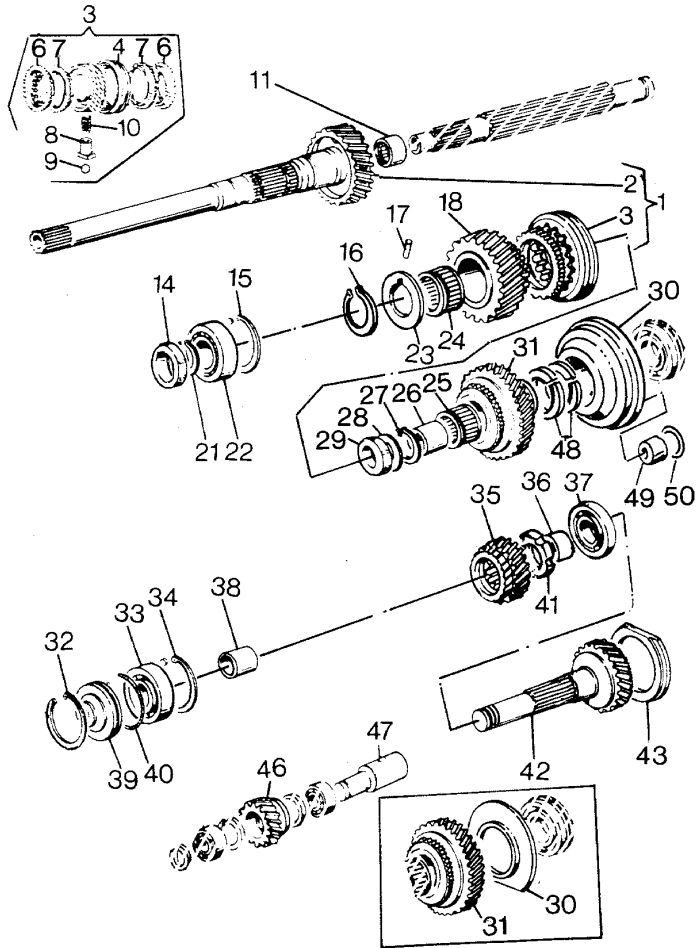
E-04
11

REDUCER OPTION - GEARBOX - FOR "SHUTTLE" VERSION ONLY.



E0411

Advantage 4 cyl 75GT
Cab



- | | | | | |
|----|-----------|----------|---------|--------|
| 32 | 1443524X1 | 1 | RING | |
| 33 | 339436X1 | 1 | BEARING | |
| 34 | 339437X1 | 1 | RING | |
| 35 | 3534907M2 | 1 | GEAR | |
| 36 | 3544709M1 | 1 | SPACER | |
| 37 | 339818X1 | 1 | BEARING | |
| 38 | 3545316M1 | 1 | SPACER | |
| 39 | 3305048M2 | 1 | COVER | |
| 40 | 3305049M1 | 1 | RING | |
| 41 | 392771X1 | 1 | FERRULE | |
| 42 | 3544705M1 | 1 | SHAFT | |
| 43 | 3309349M1 | 1 | DISC | |
| 44 | 1440618X1 | 2 | CAGE | |
| 45 | 3533957M1 | 1 | RING | |
| 46 | 3309363M1 | 1 | GEAR | |
| 47 | 3533979M1 | 1 | SHAFT | |
| 48 | 3548395M1 | ➔ C23020 | 2 | RING |
| 49 | 3548398M1 | ➔ C23020 | 1 | PIPE |
| 50 | 831519M1 | ➔ C23020 | 1 | O RING |

! THIS IS A COMPONENT OF AN ASSEMBLY
 ➔ FROM SERIAL OR ENGINE NUMBER
 ➔ UP TO SERIAL OR ENGINE NUMBER

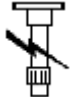
QTY PER TRACTORS SOLD (AA.BBB.CCC.DDD) (AA) FOR
 1,(BBB) 2-10 (CCC) 11-25 (DDD) 26-50

TRANSMISSION

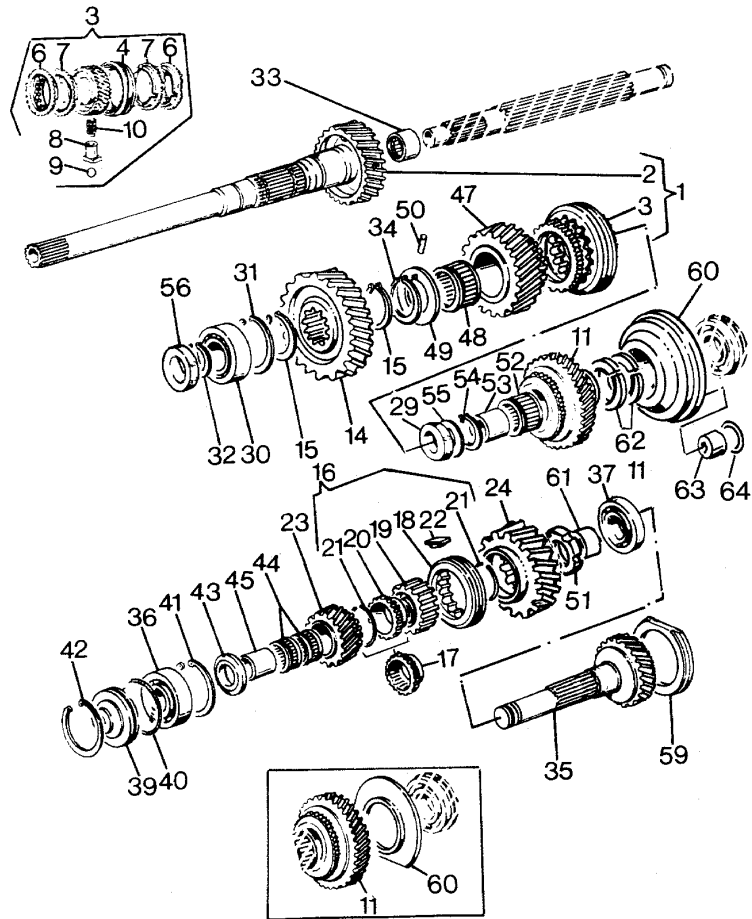
E-04
15

REDUCER OPTION - GEARBOX - OVERDRIVE AND UNDERDRIVE VERSION

Advantage 4 cyl 75GT
Cab



E0415



! THIS IS A COMPONENT OF AN ASSEMBLY

➔ FROM SERIAL OR ENGINE NUMBER

⬇ UP TO SERIAL OR ENGINE NUMBER

⬅ NUMBER OF TEETH/SPLINES

QTY PER TRACTORS SOLD (AA.BBB.CCC.DDD) (AA) FOR
1,(BBB) 2-10 (CCC) 11-25 (DDD) 26-50

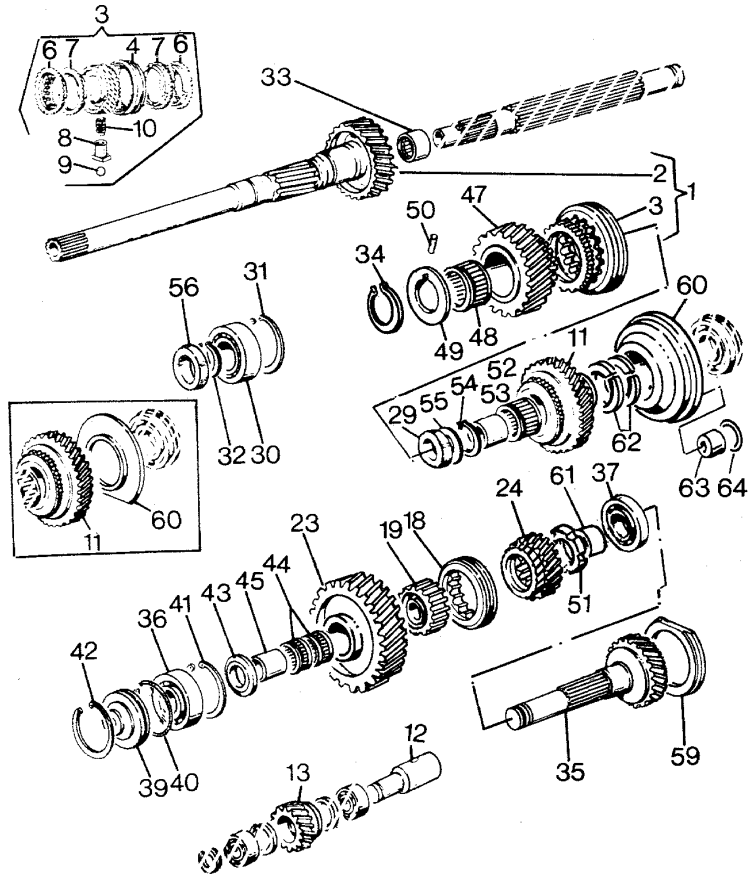
TRANSMISSION

E-04
19

REDUCER OPTION - GEARBOX - SHUTTLE AND CREEPER VERSION

Advantage 4 cyl 75GT
Cab

E0419



1	3545160M91	➔	C23019 GRAZIANO	1	SHAFT
1	3549769M91	➔	C23019	1	SHAFT
1	3550717M91	●	3550718M91 (1) C23020	1	SHAFT
1	3550718M91	➔	C23020	1	SHAFT
2	3545161M1	!	1 C23019	1	SHAFT
2	3550720M1	●	3550718M91 (1) 1 C23020	1	SHAFT
3	3538468M92	!	1 GRAZIANO	1	SYNCHRO GEAR
3	3549749M91	!	1 CATTINI	1	SYNCHRO GEAR
4	3538584M1	●	3538468M92 (1) 3 GRAZIANO	1	SLEEVE
4	3549750M1	!	3 CATTINI	1	SLEEVE
6	3538531M1	!	3 GRAZIANO	2	CROWNWHEEL
6	3539428M1	!	3 CATTINI	2	CROWNWHEEL
7	3538127M1	!	3 GRAZIANO	2	RING
7	3549754M1	!	3 CATTINI	2	RING
8	3538529M1	!	3 GRAZIANO	3	SKATE
8	3539424M1	!	3 CATTINI	3	SKATE
9	1444586X1	!	3	3	BALL
10	3533975M1	!	3 GRAZIANO	3	SPRING

CLICK HERE TO **DOWNLOAD** THE COMPLETE MANUAL

- Thank you very much for reading the preview of the manual.
- You can download the complete manual from: www.heydownloads.com by clicking the link below



- Please note: If there is no response to CLICKING the link, please download this PDF first and then click on it.

CLICK HERE TO **DOWNLOAD** THE COMPLETE MANUAL