

ACCESSORIES MECHANICAL

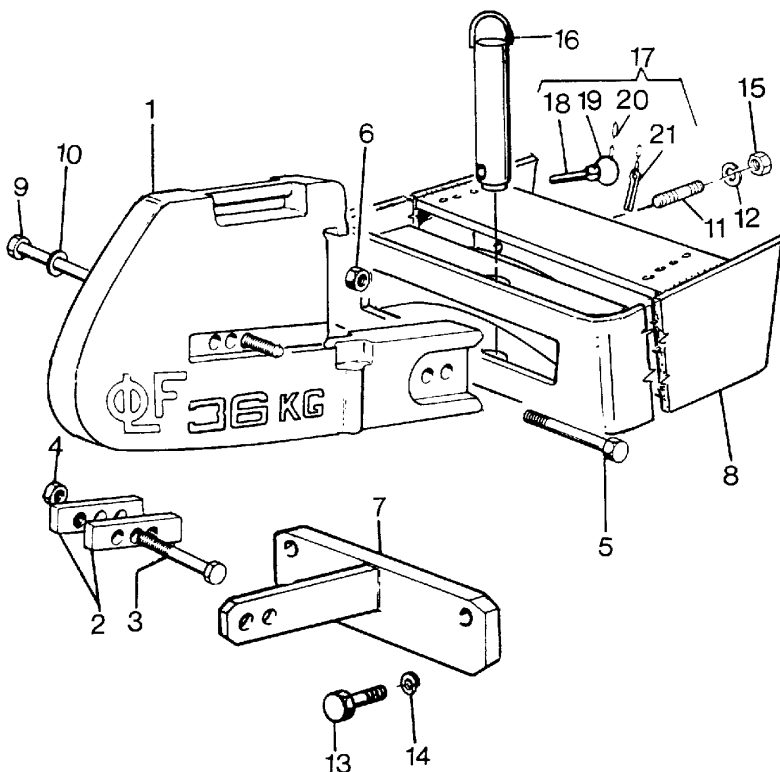
**X-48  
01**

WEIGHT FRAME AND WEIGHTS - FRONT HOOK - UP TO SERIAL N. ...

Advantage 4 cyl 75GT  
Cab



X4801



- |    |            |   |                |   |             |
|----|------------|---|----------------|---|-------------|
| 1  | 3545835M1  | ● | 3545835M2 (4)  | 4 | BALLAST WE  |
| 1  | 3545835M1  | ● | 3545835M2 (6)  | 6 | BALLAST WE  |
| 2  | 1426054M1  |   |                | 2 | PLATE       |
| 3  | 339616X1   |   |                | 1 | BOLT        |
| 4  | 392368X1   |   |                | 1 | NUT         |
| 5  | 339805X1   |   |                | 2 | SCREW       |
| 6  | 339034X1   |   |                | 2 | NUT         |
| 7  | 3547057M91 | ● | 3682637M91 (1) | 1 | STIRRUP     |
| 8  | 3547056M92 | → | B10014         | 1 | SUPPORT     |
| 8  | 3548426M91 | ● | 3548426M92 (1) | 1 | SUPPORT     |
|    |            | → | B10015         |   |             |
| 9  | 1441804X1  | ↔ | 200MM<br>B     | 2 | SCREW       |
| 9  | 391327X1   | ↔ | 145MM.<br>G    | 2 | SCREW       |
| 10 | 1441664X1  |   |                | 2 | LOCK WASHER |
| 11 | 392223X1   |   |                | 4 | SCREW       |
| 12 | 391414X1   |   |                | 4 | LOCK WASHER |
| 13 | 391120X1   |   |                | 2 | SCREW       |
| 14 | 391414X1   |   |                | 2 | LOCK WASHER |
| 15 | 339034X1   |   |                | 4 | NUT         |
| 16 | 1426023M91 |   |                | 1 | PIN         |
| 17 | 1699608M91 |   |                | 1 | KIT         |
| 18 | 1426056M91 | ! | 17             | 1 | RETAINER    |
|    |            | → | 1699665M1      |   |             |
| 19 | 1699608M91 | ! | 17             | 1 | KIT         |
| 20 | 1699417M1  | ● | 4203653M91 (1) | 1 | CHAIN       |
|    |            | → | 17             |   |             |
|    |            | → | 646027M1       |   |             |
| 21 | 354074X1   | ! | 17             | 1 | RETAINER    |

CLICK HERE TO **DOWNLOAD** THE COMPLETE MANUAL

- Thank you very much for reading the preview of the manual.
- You can download the complete manual from: [www.heydownloads.com](http://www.heydownloads.com) by clicking the link below



- Please note: If there is no response to CLICKING the link, please download this PDF first and then click on it.

CLICK HERE TO **DOWNLOAD** THE COMPLETE MANUAL

TRACTOR CAB

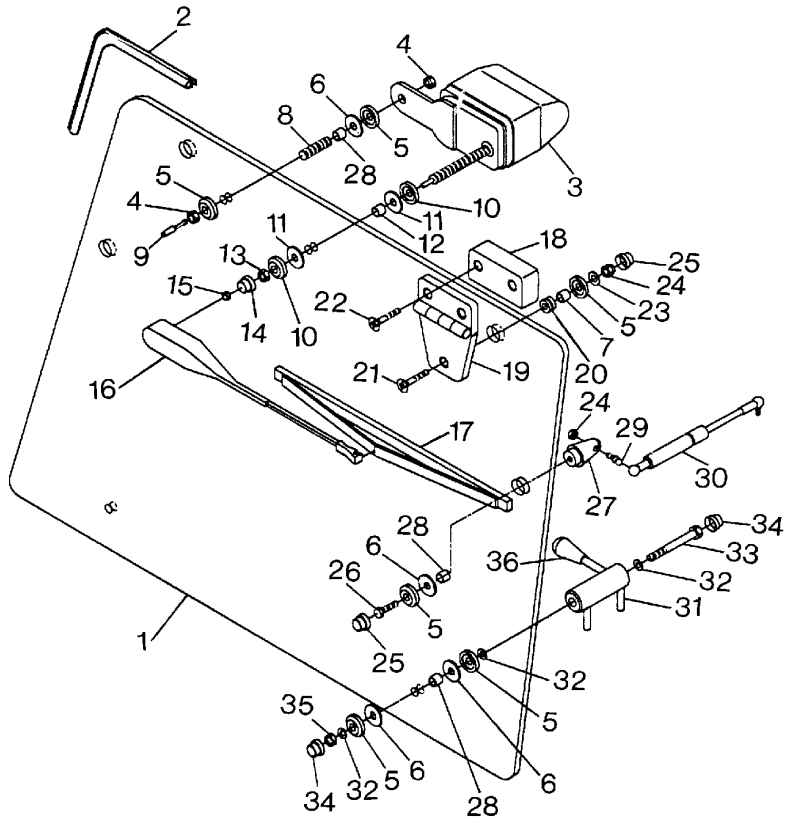
U-47  
02

TRACTOR CAB - WINDOWS - FRONT - WINDSCRENN

Advantage 4 cyl 75GT  
Cab



U4702



- |    |             |   |            |
|----|-------------|---|------------|
| 29 | 3311971M91  | 4 | BALL JOINT |
| 30 | 3550907M91  | 2 | DAMPER     |
|    | (X) 0.1.2.4 |   |            |
| 31 | 3558207M91  | 1 | HANDLE     |
| 32 | 390734X1    | 3 | WASHER     |
| 33 | 339050X1    | 1 | SCREW      |
| 34 | 3311774M1   | 2 | GUARD      |
| 35 | 1440329X1   | 1 | NUT        |
| 36 | 3550986M1   | 1 | KNOB       |

! THIS IS A COMPONENT OF AN ASSEMBLY  
 FROM SERIAL OR ENGINE NUMBER  
 UP TO SERIAL OR ENGINE NUMBER

QTY PER TRACTORS SOLD (AA.BBB.CCC.DDD) (AA) FOR  
 1,(BBB) 2-10 (CCC) 11-25 (DDD) 26-50

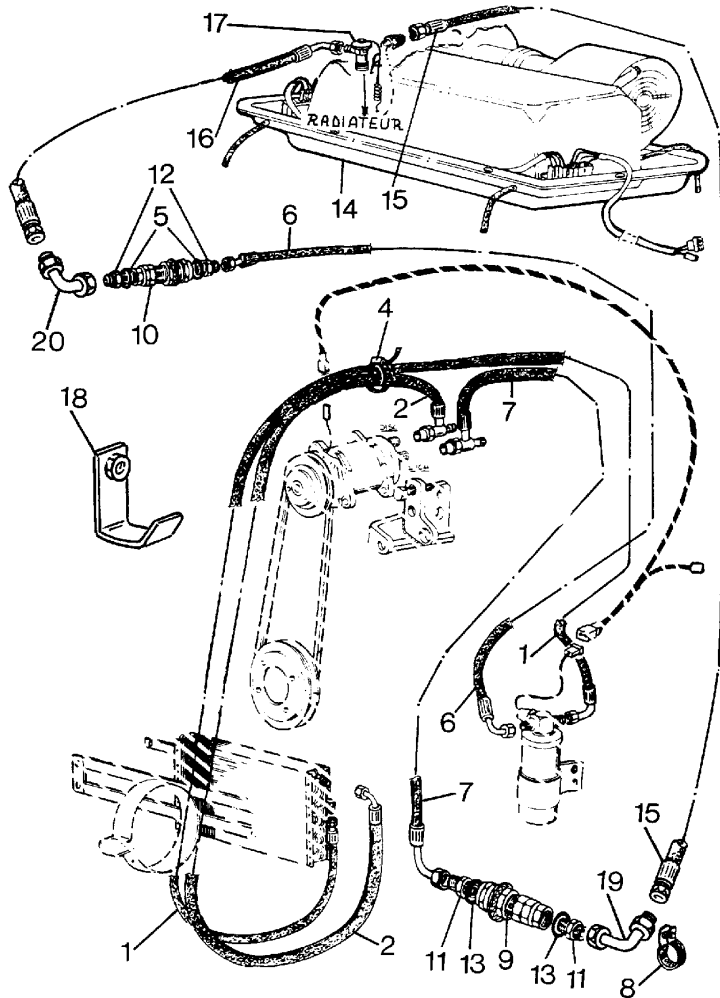
TRACTOR CAB

U-47  
08

TRACTOR CAB - AIR CONDITIONER

Advantage 4 cyl 75GT  
Cab

U4708



1	3551194M91		1	PIPE
2	3551008M91		1	PIPE
3	3650527M1	N.I.	2	SHEATH
4	3301575M1		10	CLAMP
5	3010474X1	➔ C46101	2	RING
6	3551193M91	● 3551198M91 (1)	1	HYDR HOSE
7	3551007M91		1	PIPE
8	3539014M91		2	CLAMP
9	3551245M91	◀	1	UNION
10	3551246M91	▶	1	UNION
11	3539011M1	➔ C46101	2	UNION
12	3539012M1	➔ C46101	2	UNION
13	368540X1		2	O RING
14		◇ U-47 11 19	1	HEATER
15		◇ U-47 11 17	1	PIPE
16		◇ U-47 11 16	1	PIPE
17		◇ U-47 11 11	1	VALVE
18	3548416M91		4	STIRRUP
19	3551248M91	◀ 90^	1	UNION
20	3551247M91	▶ 45^	1	UNION

- ➔ UP TO SERIAL OR ENGINE NUMBER
- ◇ SEE PAGE - REFERENCE NUMBER
- ◀ LEFT HAND
- ▶ RIGHT HAND

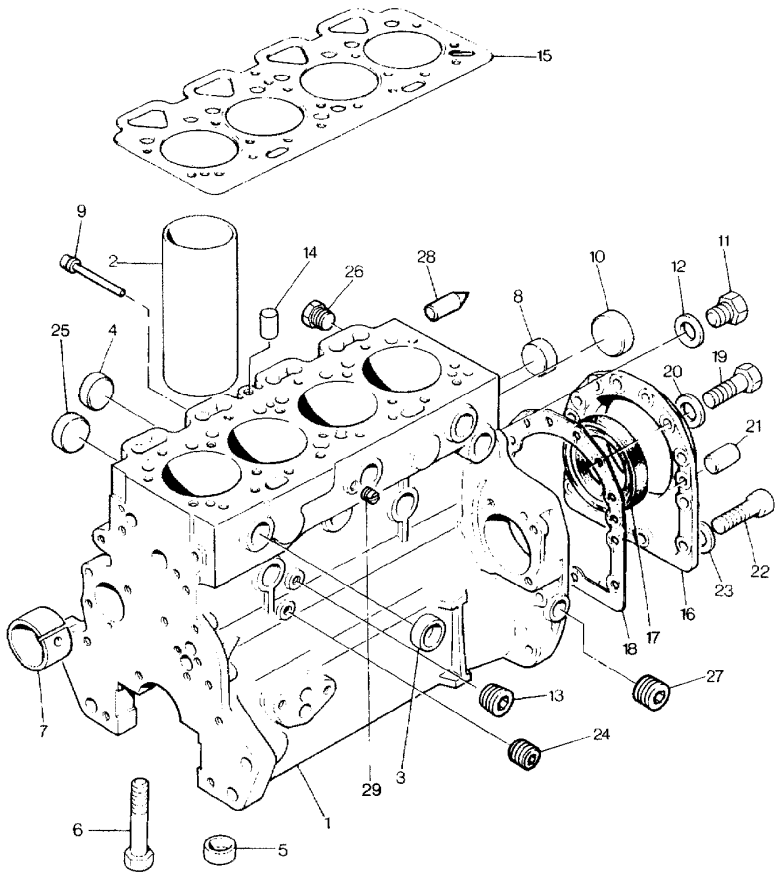
ENGINE

A-05  
03

CYLINDER BLOCK - - A4.236 ENGINE

Advantage 4 cyl 75GT  
Cab

A0503



- |    |          |   |      |
|----|----------|---|------|
| 26 | 32161114 | 2 | PLUG |
| 27 | 0650588  | 1 | PLUG |
| 28 | 32452113 | 1 | PIN  |
| 29 | 32114143 | 1 | PLUG |

! THIS IS A COMPONENT OF AN ASSEMBLY

A PRESS FIT

B SLIP FIT

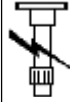
(X) QTY PER TRACTORS SOLD (AA.BBB.CCC.DDD) (AA) FOR  
1,(BBB) 2-10 (CCC) 11-25 (DDD) 26-50

ENGINE

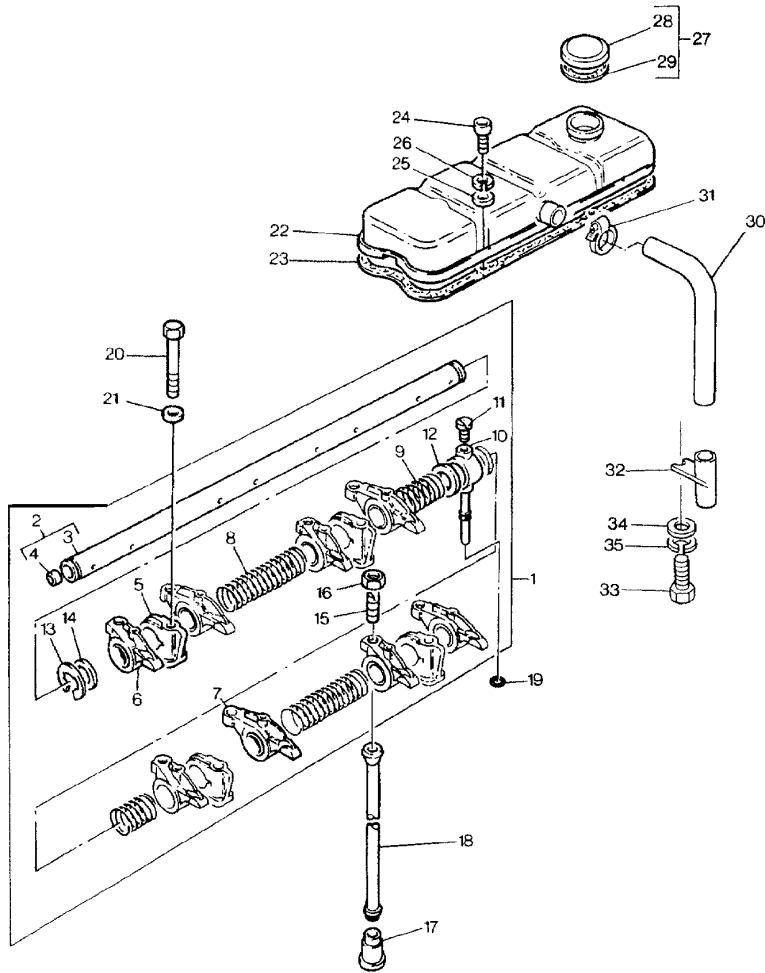
A-05  
06

ROCKER SHAFT - - A4.236 ENGINE

Advantage 4 cyl 75GT  
Cab



A0506



1	ZZ90158		1	SHAFT
		(X) 0.1.2.8		
2	ZZ90032	!	1	SHAFT
		(X) 0.1.2.4		
3		!	2	SHAFT
		REF.2		
4	0650507	!	2	PLUG
		(X) 0.0.2.4		
5	3818X901	!	1	POPPET
6	41151484	●	4115R305 (4)	4 LEVER
		!	1	
		▲		
7	41151483	●	4115R306 (4)	4 LEVER
		!	1	
		▲		
8	31744123	!	1	2 SPRING
9	31743108	!	1	2 SPRING
10	3775E012	!	1	1 UNION
		A		
11	2231236	B		1 SCREW
11	2233022	!	1	1 SCREW
		C		
12	33117426	●	3311K015 (2)	2 SHIM
		!	1	
13	0170151	!	1	2 RING
14	33117434	!	1	2 LOCK WASHER
15	0720579	●	32114145 (8)	8 SCREW
		!	1	
16	0576052	!	1	8 NUT
17	3142U031			8 TAPPET
		(X) 0.0.8.16		
18	31434307			8 ROD
		(X) 0.0.8.16		
19	376525X1			1 SPINNER

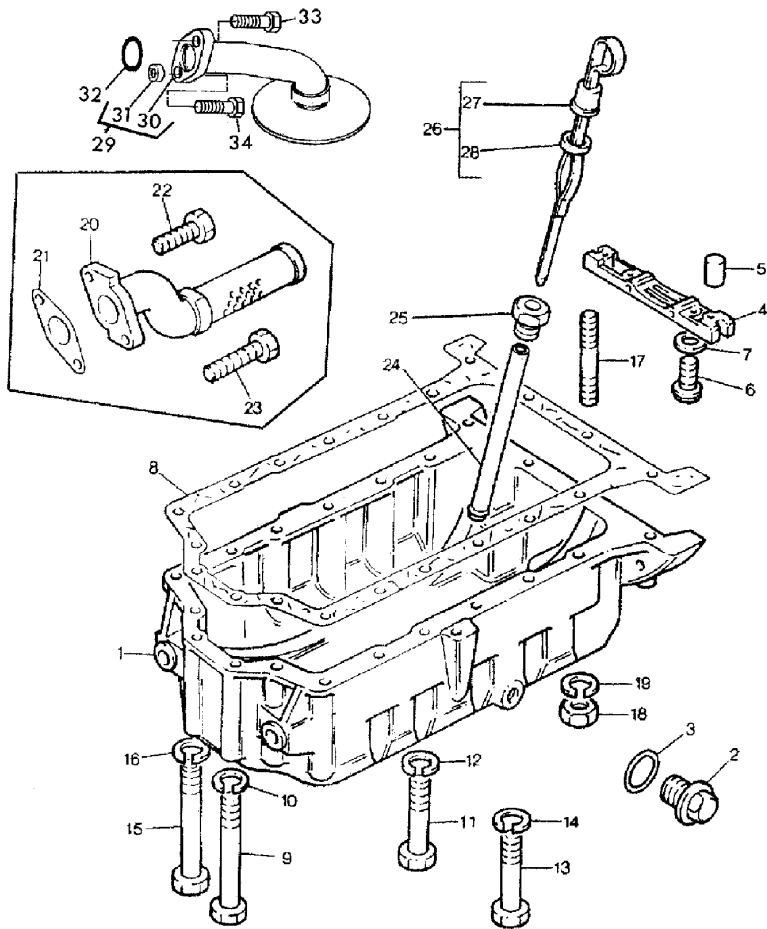
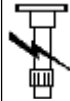
ENGINE

A-05  
10

LUBRICATING OIL SUMP - - A4.236 ENGINE

Advantage 4 cyl 75GT  
Cab

A0510



25	33533103		1	NUT
26		H	1	DIPSTICK
26	31787452	● 3178C095 (1) 33616437 (1)	1	ROD
		H		
		(X) 0.0.1.2		
27		! 26	1	ROD
		➡ REF.26		
28	33812108	! 26	1	SEAL
28	3383K002	! 26	1	RING
		F		
29	4134E037	E	1	PIPE
30		! 29	1	PIPE
		➡ REF.N.29		
31	3348Y007	! 29	2	INSERT
32	2415A047		1	O RING
33	2314H013		1	SCREW
34	2314H007		1	SCREW

! THIS IS A COMPONENT OF AN ASSEMBLY  
 ➡ NOT SERVICED, ORDER  
 A REFER TO BALANCER SECTION  
 B USED ONLY WITH 36277831/36277833. NOT REQUIRED WITH 36277825/3627P011/3627P012  
 C WAS 36277825 - USE 3627P011 WITH RELEVANT HARDWARE  
 D USED ONLY WITH 3764E031  
 E WAS 3764E031 - USE 3781D023 + 2415A048 + 2314H007 + 2314H013  
 F USED ONLY WITH 3178C638  
 G WAS 33435123 USE 3577A004 WITH 3178C638  
 H 3577A004 USED ONLY WITH 3178C638  
 (X) QTY PER TRACTORS SOLD (AA.BBB.CCC.DDD) (AA) FOR 1,(BBB) 2-10 (CCC) 11-25 (DDD) 26-50

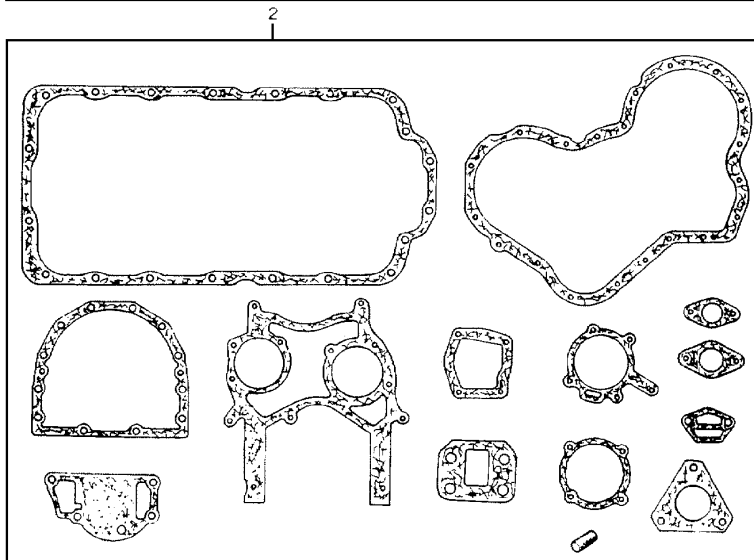
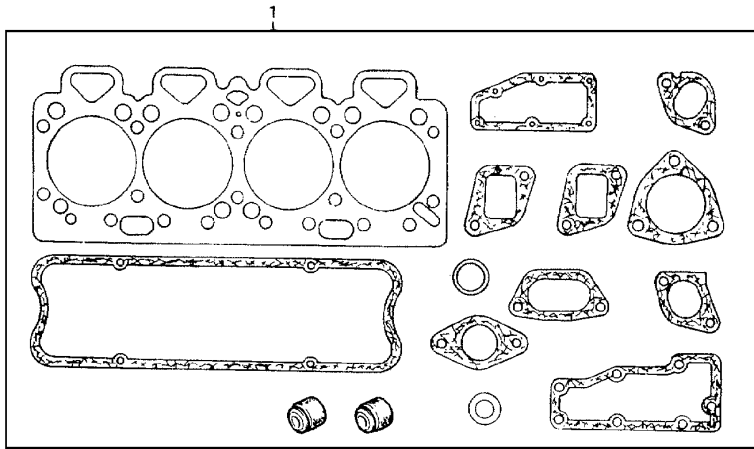
ENGINE

A-05  
16

JOINTS AND GASKETS - - A4.236 ENGINE

Advantage 4 cyl 75GT  
Cab

A0516



- |   |          |   |                |         |
|---|----------|---|----------------|---------|
| 1 | U5LT0176 | ● | N.L.S. (999)   | 999 KIT |
|   |          | ➔ | U106655N       |         |
|   |          |   | A              |         |
|   |          |   | (X) 0.1.2.8    |         |
| 2 | U5LB0145 | ● | U5LB5145 (999) | 999 KIT |
|   |          |   | B              |         |
|   |          |   | C              |         |
| 2 | U5LB0145 | ● | U5LB5145 (999) | 999 KIT |
|   |          |   | A              |         |
|   |          |   | B              |         |
|   |          |   | (X) 0.1.2.8    |         |



FROM SERIAL OR ENGINE NUMBER

A

JOINTS AND GASKETS-TOP SERVICE KIT

A

WITHOUT ASBESTOS

B

JOINTS AND GASKETS-BOTTOM SERVICE KIT

C

WITH ASBESTOS

(X)

QTY PER TRACTORS SOLD (AA.BBB.CCC.DDD) (AA) FOR  
1,(BBB) 2-10 (CCC) 11-25 (DDD) 26-50

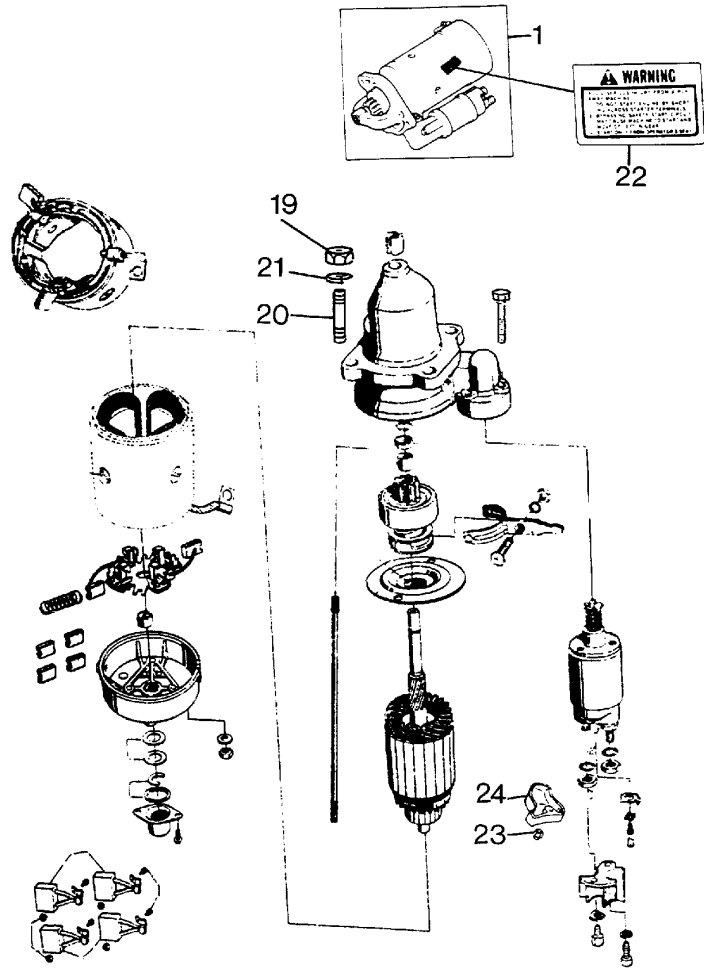
ENGINE ANCILLARY EQUIPMENT

C-32  
05

TRACTOR CAB - INSULATION AND CLADDUING - WITH CAB

Advantage 4 cyl 75GT  
Cab

C3205



- |    |            |   |                |   |             |
|----|------------|---|----------------|---|-------------|
| 1  | 3542187M91 | ● | 3539390M92 (1) | 1 | STARTERMOTO |
|    |            |   | A              |   | R           |
|    |            |   | (X) 0.1.2.4    |   |             |
| 19 | 2188135    |   |                | 3 | NUT         |
| 20 | 0826403    |   |                | 3 | STUD        |
| 21 | 0920054    |   |                | 3 | LOCK WASHER |
| 22 |            | ! | 1              | 1 | DECAL       |
|    |            |   | B              |   |             |
| 23 | 3539395M1  |   |                | 1 | NUT         |
| 24 | 3539392M1  |   |                | 1 | GUARD       |

! THIS IS A COMPONENT OF AN ASSEMBLY  
 A PART NUMBER MUST BE ORDERED WITH ITS SAFETY DECAL.  
 B SEE SAFETY DECAL.  
 (X) QTY PER TRACTORS SOLD (AA.BBB.CCC.DDD) (AA) FOR  
 1,(BBB) 2-10 (CCC) 11-25 (DDD) 26-50

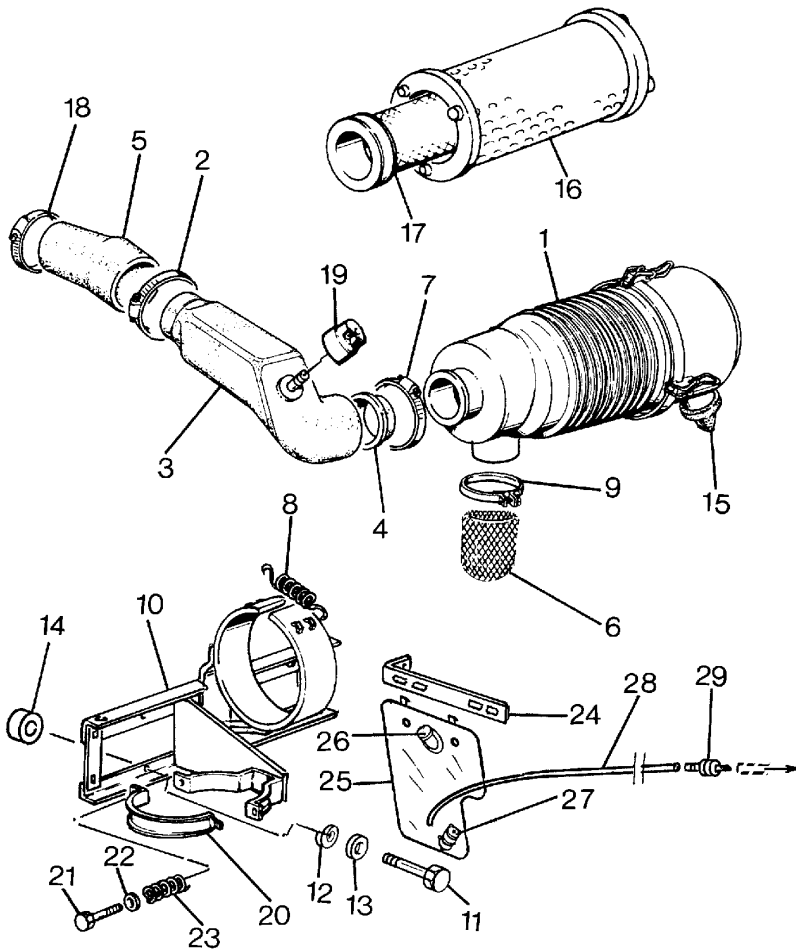
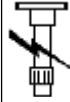
ENGINE ANCILLARY EQUIPMENT

C-32  
10

DRY AIR FILTER - DUAL ELEMENT - DRY AIR CLEANER

Advantage 4 cyl 75GT  
Cab

C3210



1	3543545M91	A		1	FILTER
		(X) 0.0.1.2			
2	3307669M91			1	CLAMP
3	3546882M91	●	3546882M92 (1)	1	PIPE
4	3543603M1			1	GASKET
5	3546979M2	A		1	SLEEVE
5	3546980M2	A		1	SLEEVE
6	3547030M2			1	CAP
7	394306X1			1	RETAINER
8	3542903M92			2	SPRING
9	3307667M91			1	CLAMP
10	3546896M93	●	3546896M97 (1)	1	SUPPORT
11	1440922X1	A		4	SCREW
11	339560X1	A		4	SCREW
12	339375X1			4	LOCK WASHER
13	390971X1			4	WASHER
14	3538745M1	A		4	SPACER
15	3540050M1	!	1	1	VALVE
		(X) 0.5.10.20			
16	3540046M1	!	1	1	ELEMENT
		(X) 0.10.20.40			
17	3540047M1	!	1	1	ELEMENT
		(X) 0.10.20.40			
18	3307667M91			1	CLAMP
19	3534832M92			1	VALVOMETER
20	3300128M1			1	RING
21	392526X1			1	SCREW
22	390971X1			1	WASHER
23	1860174M1			1	SPRING
24	3548089M1	➔	C52007	1	STIRRUP
25	3539651M91	➔	C52007	1	TANK
26	3311975M1	!	25	1	PLUG
		➔	C52007		

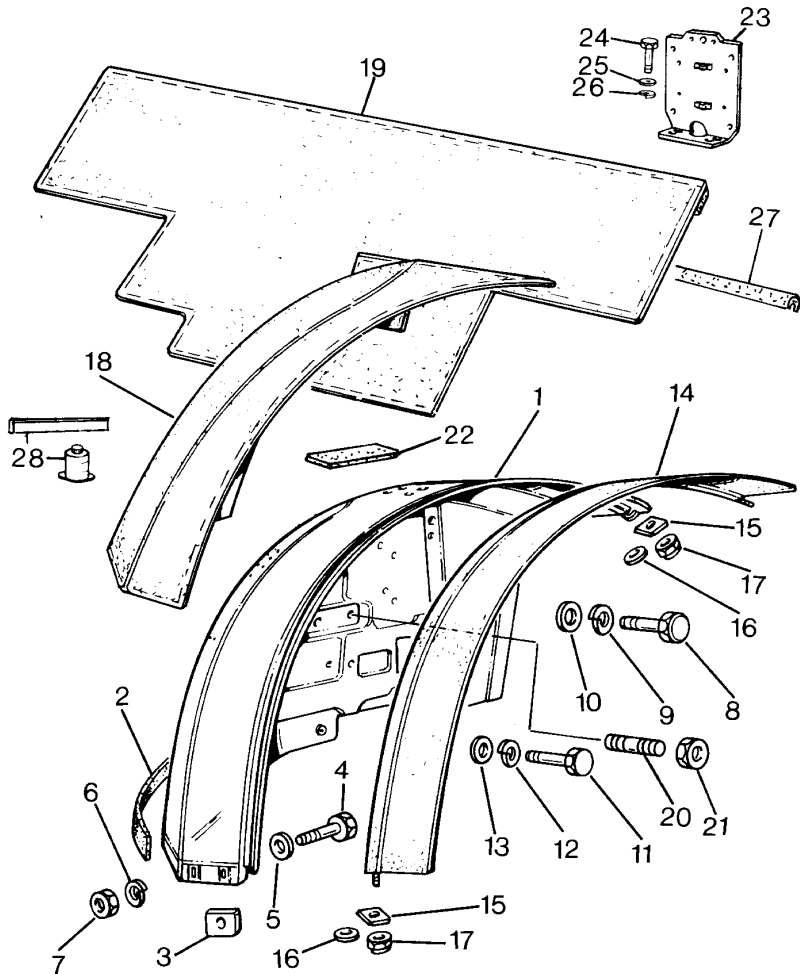
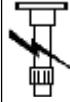
FENDERS FOOTSTEPS AND PLATFORM

S-22  
02

SHEET METAL - PANELS - CLADDING PLATFORM

Advantage 4 cyl 75GT  
Cab

S2202



1	3547369M92	3009694X1 (2) 3019072X1 (2) 3548422M94 (1)	1	FENDER
1	3547373M92	3547373M93 (1)	1	FENDER
1	3548422M91	3548422M94 (1)	1	FENDER
2	3548431M1	MT.2	2	GASKET
3	1424017M1		4	DAMPER
4	339761X1	M8X25	4	SCREW
5	390972X1		4	WASHER
6	339374X1		4	LOCK WASHER
7	339169X1	394367X1 (4)	4	NUT
8	339123X1	M8X20	4	SCREW
9	339374X1		4	LOCK WASHER
10	390972X1		4	WASHER
11	339666X1	M6X20	6	SCREW
12	339375X1		6	LOCK WASHER
13	391038X1		6	WASHER
14	3308388M92	B	2	EXTENSION
14	3308389M92	B	2	EXTENSION
15	3307164M3		4	PLATE
16	390971X1		4	WASHER
17	1442021X1		4	NUT
18	3550663M91	C17024 B F	1	FACING
18	3550664M91	C17024 F	1	FACING

FRONT AXLE AND STEERING

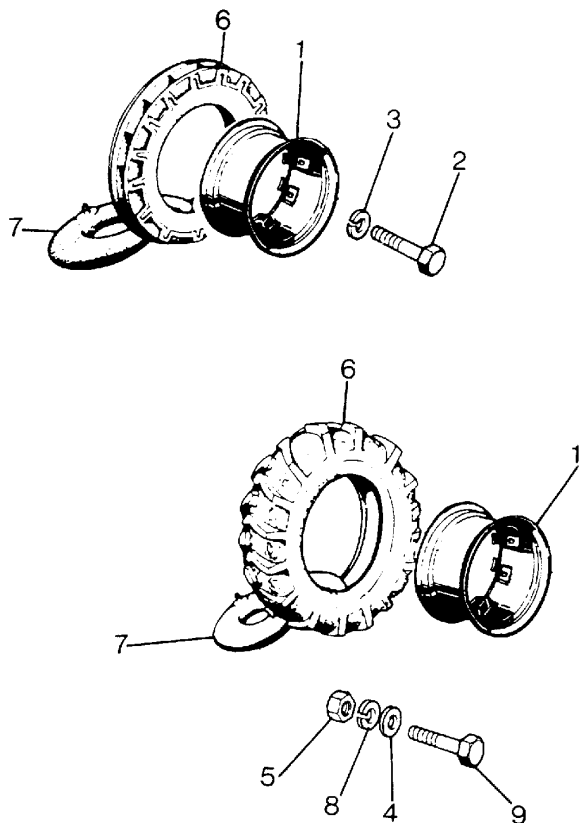
J-09  
01

FRONT WHEELS - HOOPS AND TYRES



J0901

Advantage 4 cyl  
Cab 75GT



3	3304540M1	II		10	LOCK WASHER
4	1441664X1	II		10	LOCK WASHER
5	3009748X1	II		10	NUT
			(X) 0.20.30.50		
6	1423758M1	II		2	TYRE
6	1823726M1	II	7.50-16 6PR	2	TYRE
6	3307460M1	II	6.50-16 6PR	2	TYRE
		●	N.L.A. (2)		
		II	7.5L-15 6PR		
6	3530459M1	II		2	TYRE AND TUBE
			10.5/80-18 10P		
6	3534564M1	●	3558869M1 (2)	2	TYRE AND TUBE
		II			
			250/80-18 8PR		
6	3534566M1	●	3649764M1 (2)	2	TYRE AND TUBE
		II			
			260/80 R20		
6	3535125M1	II		2	TYRE AND TUBE
			9.5/9.20 8PR		
6	3535127M1	II		2	TYRE AND TUBE
			7.50-20 6PR		
6	3538941M1	II		2	TYRE AND TUBE
			7.50-18 6PR		
6	3543125M1	II		2	TYRE AND TUBE
			6.00-16 8PR		
6	3548105M1	II		2	TYRE AND TUBE
		⊕			
			12.4-16 8PR		
6	3548399M1	II		2	TYRE AND TUBE
			260/70 R16		
6	3548400M1	II		2	TYRE AND TUBE
			260/70 R18		

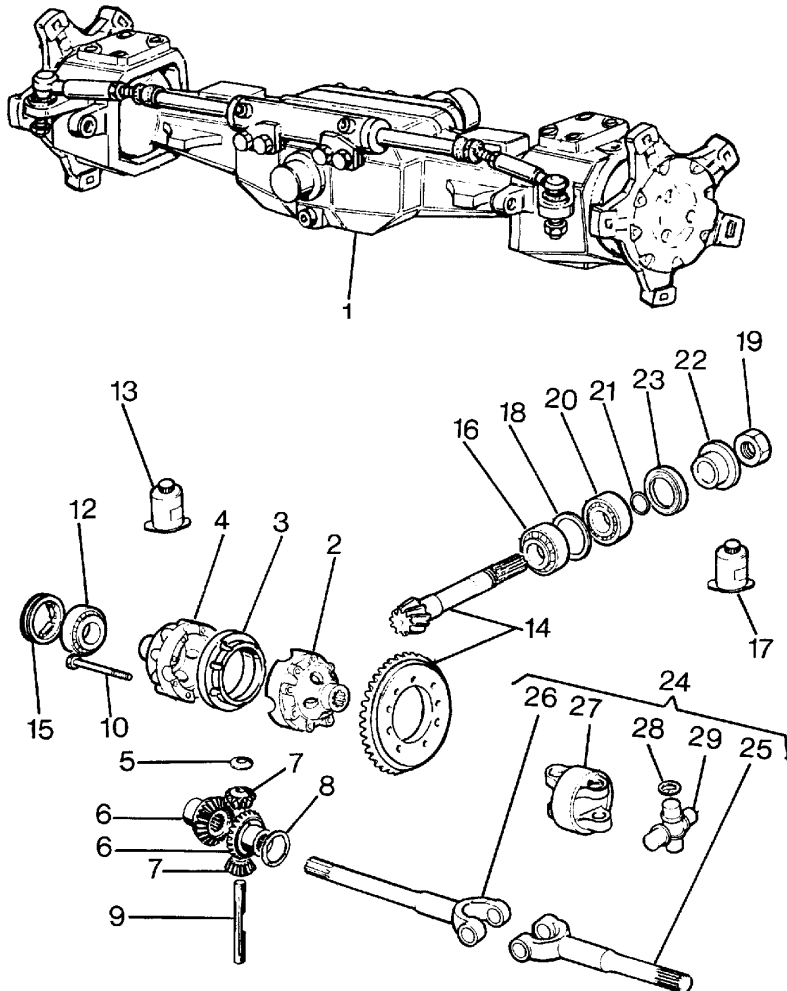
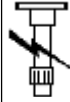
FRONT AXLE AND STEERING

J-09  
05

FRONT AXLE 4 WHEEL DRIVE - DIFFERENTIAL

Advantage 4 cyl 75GT  
Cab

J0905



20	339481X1		1	BEARING
		(X) 0.1.2.4		
21	366434X1		1	O RING
		(X) 0.2.4.8		
22	3428920M1		1	SPACER
		(X) 0.2.4.8		
23	3428942M1		1	SEAL
		(X) 0.2.4.8		
24	3428939M91		2	HALFSHAFT
25	3428940M1	!	2	YOKE
		(X) 0.1.2.4		
26	3428941M1	!	2	YOKE
		(X) 0.1.2.4		
27	3428456M1	!	2	BODY
		(X) 0.1.2.4		
28	390917X1	!	16	RING
		(X) 0.16.32.64		
29	3427406M1	!	4	SPIDER
		(X) 0.4.8.16		

! THIS IS A COMPONENT OF AN ASSEMBLY

▣ NOT SERVICED, ORDER

A USED WITH HYDROLOCK DIFFERENTIAL

A USED WITH STD DIFFERENTIAL

▲ SHIM

■ NUMBER OF TEETH/SPLINES

QTY PER TRACTORS SOLD (AA.BBB.CCC.DDD) (AA) FOR  
1,(BBB) 2-10 (CCC) 11-25 (DDD) 26-50

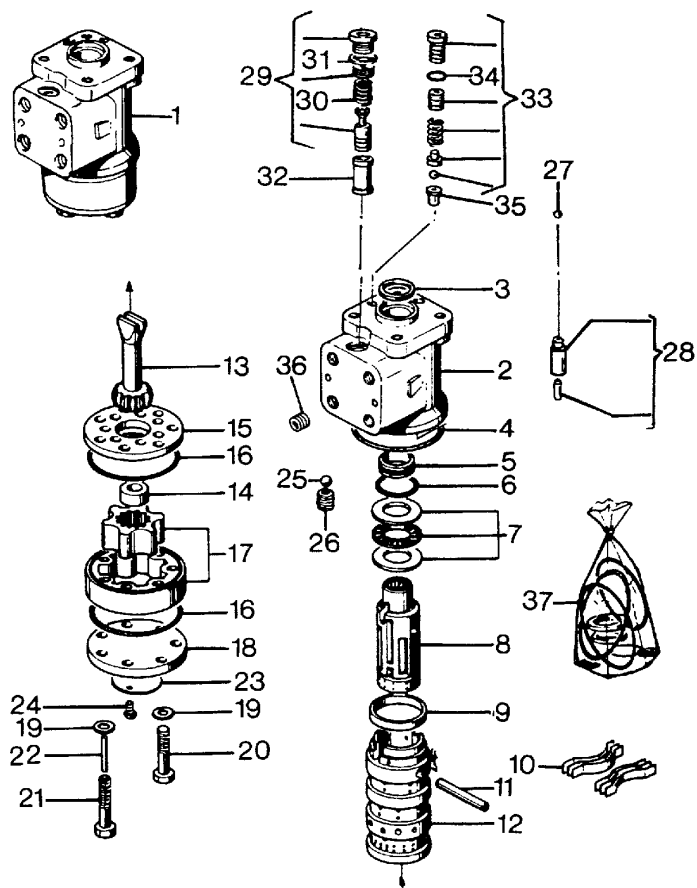
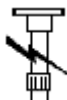
FRONT AXLE AND STEERING

J-09  
10

STEERING DISTRIBUTOR "ORBITROL" UNIT - 2 WHEEL DRIVE

Advantage 4 cyl 75GT  
Cab

J0910



1	3305964M92		1	DISTRIBUTOR
2		!	1	BODY
		▶	REF.N.1	
3	1887719M1	!	1	RING
			A	
4	1806314M1	!	1	RING
			A	
5	1887717M1	!	1	RING
			A	
6	1887718M1	!	1	RING
			A	
7	1894414M91	!	1	BEARING
8		!	1	VALVE
		▶	REF.N.1	
9	1806303M1	!	1	BUSH
10	1894415M1	!	1	KIT
11	1806310M1	!	1	PIN
12		!	1	BODY
		▶	REF.N.1	
13	1806416M1	!	1	SHAFT
15	1806319M1	!	1	PLATE
16	1806315M1	!	1	RING
			A	
17	1895933M91	!	1	GEAR
18	1806316M1	!	1	CAP
19	1806317M1	!	1	WASHER
20	1895935M1	!	1	SCREW
21	1895934M1	!	1	SCREW
22	1806312M1	!	1	PIN
23	1890402M1	!	1	PLATE
24	1806318M1	!	1	SCREW
25	1806311M1	!	1	BALL
26	1806313M1	!	1	SCREW
27	1897434M1	!	1	BALL

HYDRAULICS AND LINKAGE

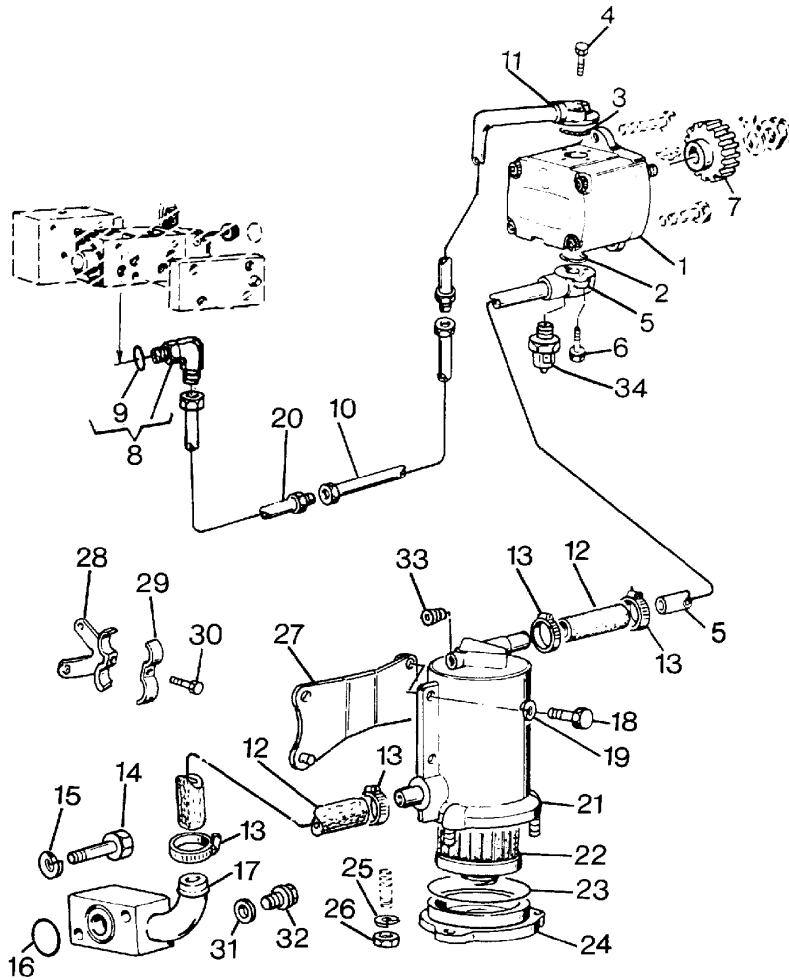
P-42  
01

HYDRAULIC EQUIPMENT - LIFT PIPINGS - HIDRAULIC LINES STD.



P4201

Advantage 4 cyl 75GT  
Cab

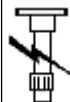


1	A	1	PUMP	
1	A	1	PUMP	
2	1441699X1	1	O RING	
3	851258M1	1	O RING	
4	1442692X1	3	SCREW	
5	3547227M91 ● 3547227M92 (1)	1	PIPE	
6	390796X1	3	SCREW	
7	1695001M2 ▲ 16	1	GEAR	
8	3304523M93	(X) 0.2.3.4	1	UNION
9	359002X1 ! 8	(X) 0.5.10.20	1	RING
10	3547229M91		1	PIPE
11	3547230M91		1	PIPE
12	3307251M1		2	SLEEVE
13	394301X1		4	CLAMP
14	1441919X1		2	SCREW
15	1440314X1		2	LOCK WASHER
16	1004637M1		1	RING
17	3546726M92		1	FLANGE
18	339804X1		2	SCREW
19	339375X1		2	LOCK WASHER
20	3546730M91	B	1	PIPE
21	3532598M91		1	BODY
22	3530223M92		1	CARTRIDGE
23	1007242M1	(X) 1.20.40.80	1	RING
24	3532630M1		1	COVER
25	339374X1		3	LOCK WASHER
26	1440086X1		3	NUT
27	3546854M91		1	SUPPORT
28	3546842M91 ● 3546842M93 (1)		1	SUPPORT

HYDRAULICS AND LINKAGE

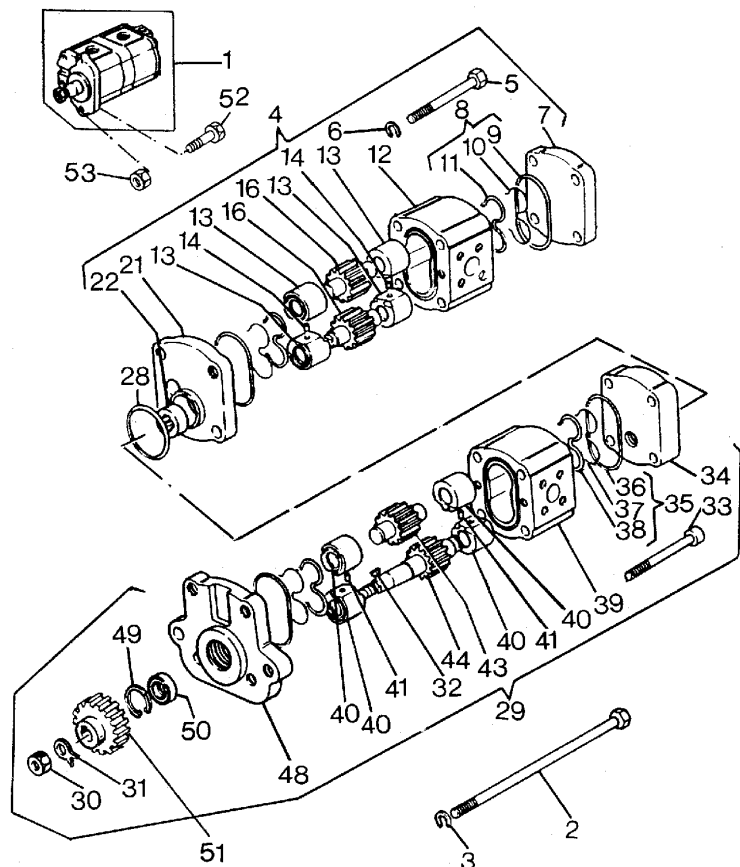
P-42  
08

HYDRAULIC PUMP - - "BOSCH"



P4208

Advantage 4 cyl 75GT  
Cab



1	3595190M91	↔	3597166M91	1	PUMP
			(X) 0.0.1.2		
2	3105001M1	!	1	2	BOLT
3	1440314X1	!	1	2	LOCK WASHER
4		!	1	1	PUMP
		➡	REF.N.1		
5	3000036X1	!	4	2	BOLT
6	1440314X1	!	4	2	LOCK WASHER
7		!	4	1	COVER
		➡	REF.N.4		
8	3100439M91	!	4	1	KIT
9		!	8	2	RING
		➡	REF.N.8		
10		!	8	2	RING
		➡	REF.N.8		
11		!	8	2	RING
		➡	REF.N.8		
12		!	4	1	BODY
		➡	REF.N.4		
13		!	4	4	BUSH
		➡	REF.N.4		
14		!	4	2	DOWEL
		➡	REF.N.4		
16		!	4	2	GEAR
		➡	REF.N.4		
21		!	4	1	COVER
		➡	REF.N.4		
22	3104999M1	!	4	1	FERRULE
28	3104973M1	!	1	1	O RING
29		!	1	1	PUMP
		➡	REF.N.1		
30	1440953X1	!	29	1	NUT
31	339369X1	!	29	1	LOCK WASHER
32	1440358X1	!	29	1	TONGUE

HYDRAULICS AND LINKAGE

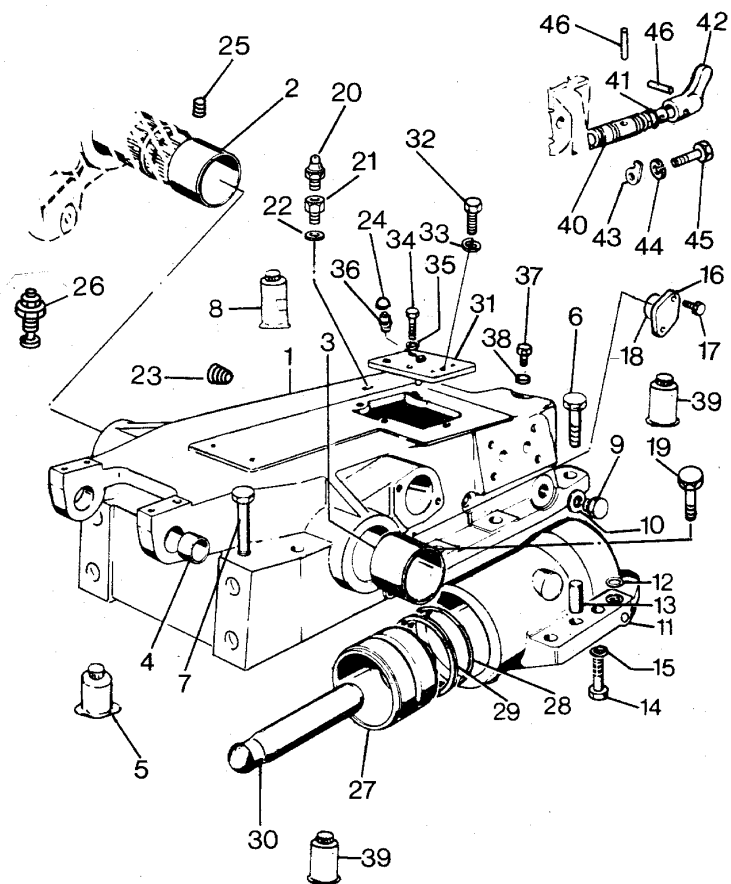
P-42  
13

HYDRAULIC LIFT - LIFT ARMS



P4213

Advantage 4 cyl 75GT  
Cab



1	3549082M91	●	3549082M96 (1)	1	BODY
			F		
1	3550514M91		B	1	BODY
2	1819841M1	!	1	2	BUSH
		▲			
3	1825272M1	!	1	2	BUSH
		▼			
4	1426483M1	!	1	2	BUSH
			F		
5	3308788M1			999	LOCTITE
6	1440718X1		F	11	SCREW
6	1440718X1		B	4	SCREW
7	390171X1		F	2	SCREW
7	390171X1		B	4	SCREW
8	3536801M1			999	LOCTITE
9	3547976M1		F	1	PLUG
10	1442936X1		B	1	WASHER
10	3007189X1		F	1	GASKET
11	1825278M91			1	CYLINDER
12	195562M1			1	RING
13	1440696X1			2	DOWEL
14	392242X1			4	SCREW
15	391414X1			4	LOCK WASHER
16	3533177M1	●	3533177M2 (1)	1	COVER
			B		
17	339761X1		B	2	SCREW
18	3019918X1		B	1	O RING
19	3009514X1		B	5	SCREW
			M12X70		
20	3309059M91		B	1	VENT
21	3549158M1		B	1	UNION
22	1440702X1		B	1	WASHER
23	392797X1		B	1	PLUG
24	3426772M1		F	1	GUARD

CLICK HERE TO **DOWNLOAD** THE COMPLETE MANUAL

- Thank you very much for reading the preview of the manual.
- You can download the complete manual from: [www.heydownloads.com](http://www.heydownloads.com) by clicking the link below



- Please note: If there is no response to CLICKING the link, please download this PDF first and then click on it.

CLICK HERE TO **DOWNLOAD** THE COMPLETE MANUAL



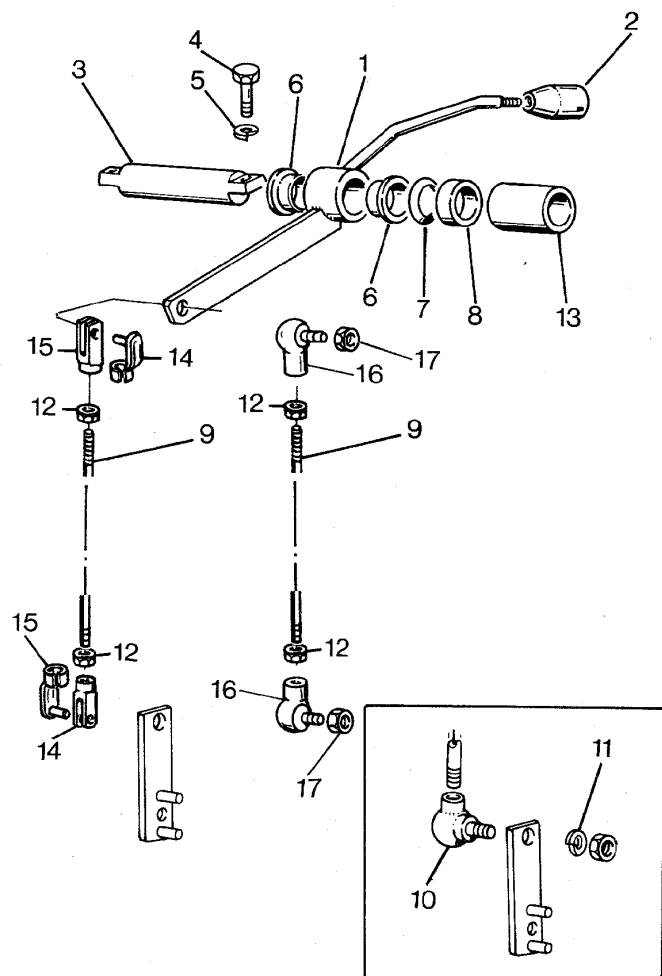
HYDRAULICS AND LINKAGE

P-42  
227

AUXILIARY DISTRIBUTOR - CONTROL FOR 1.0 DDISTRIBUTOR

Advantage 4 cyl 75GT  
Cab

P42227



1	3545531M92	A	1	DISTRIBUTOR
1	3546760M91	B	1	LEVER
2	3304484M1		1	LEVER
2	3304484M1		1	KNOB
3	3545910M1		1	SHAFT
4	339123X1		2	SCREW
5	339374X1		2	LOCK WASHER
6	3545939M1		2	BUSH
7	3546309M1		3	SPRING
8	3545940M1		4	SPACER
9	3549485M1	● 3549485M2 (1)	1	TIE ROD
10	1423816M91	➔ B32126	2	UNIVERSAL
		D		
11	339375X1	➔ B32126	2	LOCK WASHER
		D		
12	339030X1	● 1441500X1 (2)	2	NUT
13	3546311M2		2	SPACER
14	392463X1	➔ B32127	2	YOKE
		D		
15	3307701M91	➔ B32127	2	RETAINER
		D		
16	1423816M91	F	2	UNIVERSAL
17	339030X1	● 1441500X1 (2)	2	NUT
		F		
➔	FROM SERIAL OR ENGINE NUMBER			
➔	UP TO SERIAL OR ENGINE NUMBER			
A	WITH STD. HYDRAULIC LIFT - MECANICAL CONTROL			
B	WITH ELECTRONIC LIFT			
D	WITH TILL AUXILIARY HYDRAULIC VALVE			
F	WITH AUXILIARY HYDRAULIC VALVE HIDROIRMA			

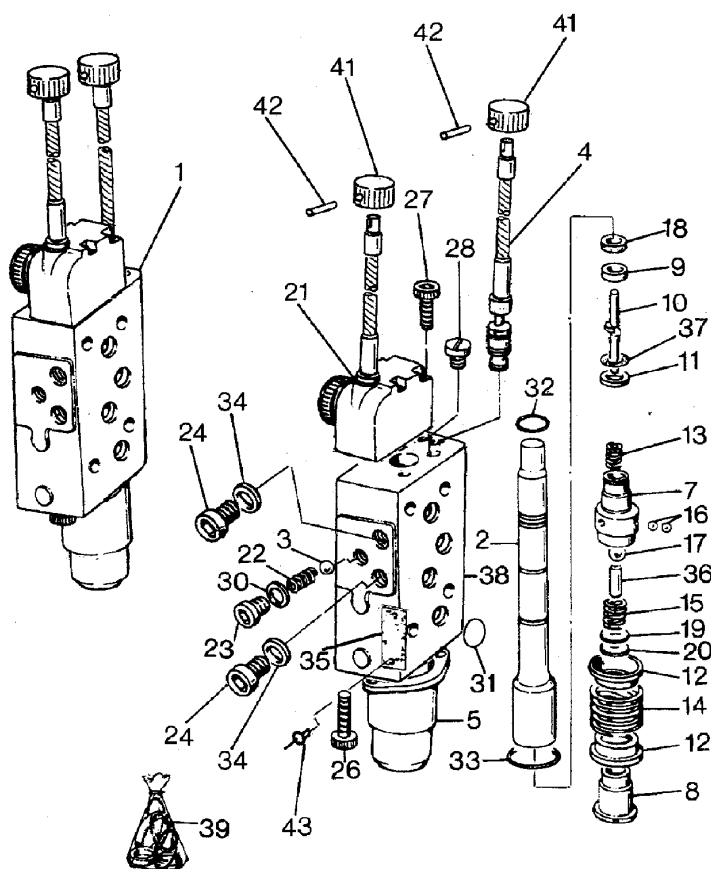
HYDRAULICS AND LINKAGE

P-42  
27

AUXILIARY FLOATING DISTRIBUTOR - FROM SERIAL N.B32127

Advantage 4 cyl 75GT  
Cab

P4227



33	3105126M1	!	1	1 RING
			B	
34	1442936X1	!	1	1 WASHER
			B	
35		!	1	1 LICENCE PLATE
			A	
36	3105127M1	!	1	1 SPACER
37	3105128M1	!	1	1 RING
			B	
38		!	1	1 BODY
			➡	REF.N.1
39	3105175M91		1	1 KIT
			(X) 0.4.8.16	
41	3532741M91	!	1	2 KNOB
			(X) 0.4.8.16	
42	3009329X1	!	41	2 SCREW
43	391283X1	!	1	2 NAIL, NOTCHED
!	THIS IS A COMPONENT OF AN ASSEMBLY			
➡	NOT SERVICED, ORDER			
A	"TILL" TYPE			
A	NOT SUPPLIED			
B	INCLUDED ON REPAIR KIT 3105175M91			
(X)	QTY PER TRACTORS SOLD (AA.BBB.CCC.DDD) (AA) FOR 1,(BBB) 2-10 (CCC) 11-25 (DDD) 26-50			

HYDRAULICS AND LINKAGE

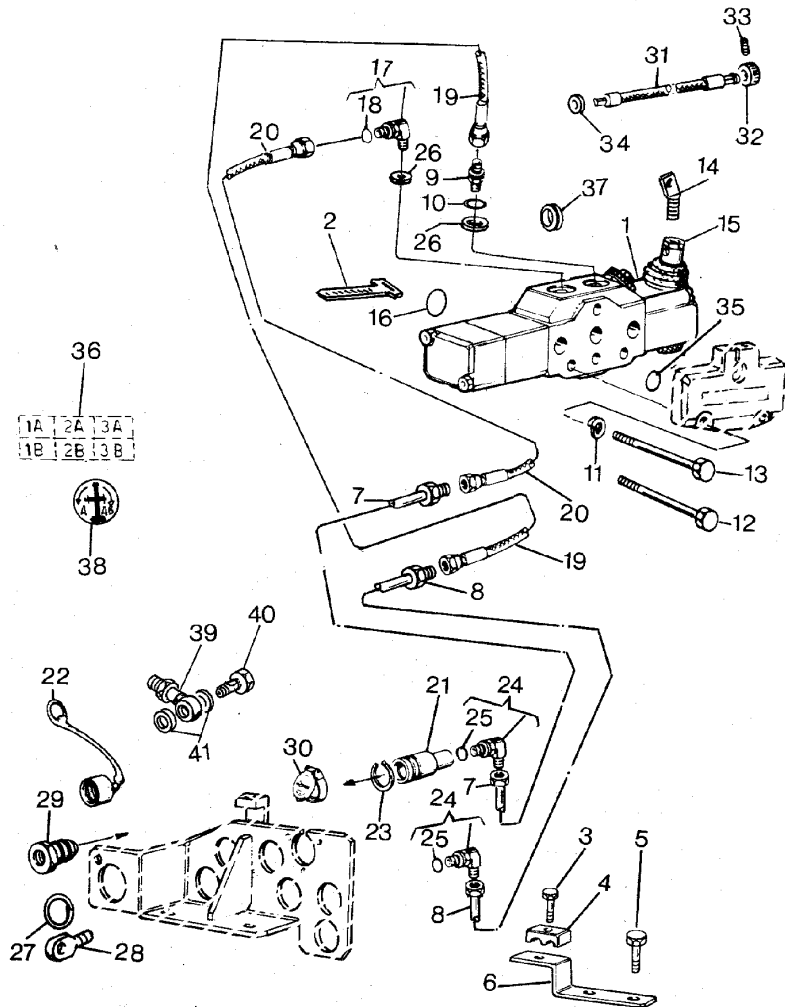
P-42  
295

AUXILIARY HYDRAULIC VALVE LINES - "HIDROIRMA" - WITH 4.0 DISTRIBUTORES



P42295

Advantage 4 cyl 75GT  
Cab



24	1424962M92	B	5	ELBOW
24	1424962M92	D	5	ELBOW
25	831497M1	! 24	5	RING
		D		
25	831497M1	! 24	5	RING
		B		
26	1425358M2		3	WASHER
27	1426252M1		1	RING
28	3308938M1		1	PIN
29	3304415M91		8	UNION
30	3530933M91	● 3530933M92 (6)	6	PLUG
		B		
30	3530933M91	● 3530933M92 (8)	8	PLUG
		D		
31	3538009M91	F	4	CABLE
31	3548836M91	B	4	CABLE
32	3532741M91		4	KNOB
33	3009329X1	! 32	4	SCREW
34	3302905M1		4	RING
35	3019926X1	! 1	4	O RING
36	3532818M2	● 3532818M3 (1)	1	DECAL
37	3535133M1		3	RING
38	3550897M1		4	DECAL
39	3549906M91	D	1	UNION
40	394202X1	● 3553651M1 (1)	1	UNION
		D		
41	3554594M1	D	2	WASHER

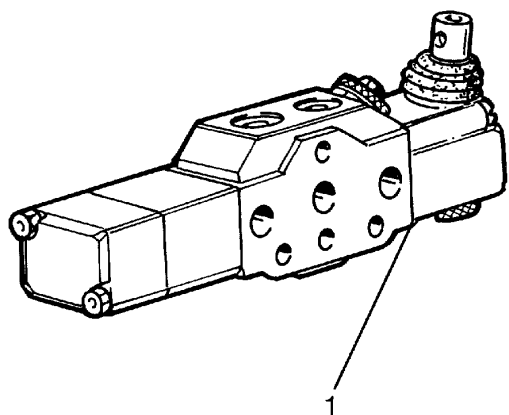
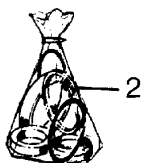
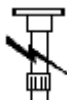
HYDRAULICS AND LINKAGE

P-42  
37

AUXILIARY FLOATING DISTRIBUTOR - HYDROIRMA TYPE FLOATING

Advantage 4 cyl  
Cab 75GT

P4237

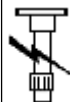


1	3547486M92	●	N.L.S. (1)	1	DISTRIBUTOR
			B		
			B		
2	3540186M91		(X) 0.4.8.16	1	KIT
3	3762561M1	!	2	1	RING
			A		
4	1441514X1	!	2	3	O RING
			A		
5	3019915X1	!	2	3	O RING
			A		
6	3019926X1	!	2	1	O RING
			A		
7	359291X1	!	2	1	O RING
			A		
8	359289X1	!	2	1	O RING
			A		
9		!	2	1	RING
			A		
10	3540288M1	!	1	1	BELLOWS
!	THIS IS A COMPONENT OF AN ASSEMBLY				
A	NOT ILLUSTRATED				
B	WITH AUXILIARY HYDRAULIC VALVE CLEARANCE				
B	WITH ELECTRONIC LIFT				
(X)	QTY PER TRACTORS SOLD (AA.BBB.CCC.DDD) (AA) FOR 1,(BBB) 2-10 (CCC) 11-25 (DDD) 26-50				

HYDRAULICS AND LINKAGE

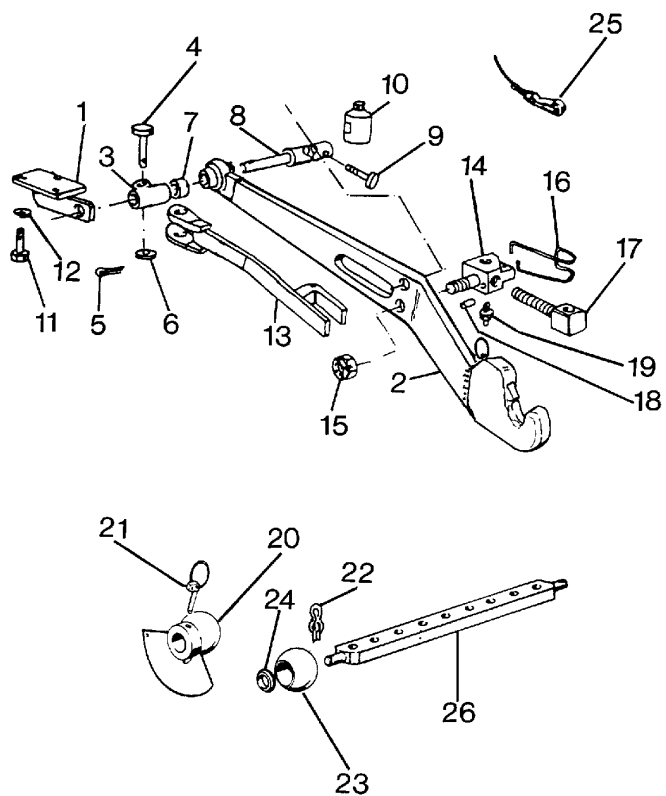
**P-42**  
**42**

LINKAGE - QUICK ATTACH



P4242

Advantage 4 cyl 75GT  
Cab



- |    |           |   |   |     |
|----|-----------|---|---|-----|
| 26 | 3306432M2 |   | 1 | BAR |
|    |           | B |   |     |
| 26 | 3308242M1 |   | 1 | BAR |
| 26 | 829032M1  |   | 1 | ROD |
|    |           | B |   |     |



SEE PAGE - REFERENCE NUMBER



ALTERNATIVE



CATEGORY II A



FOR CAT I A



LEFT HAND



RIGHT HAND

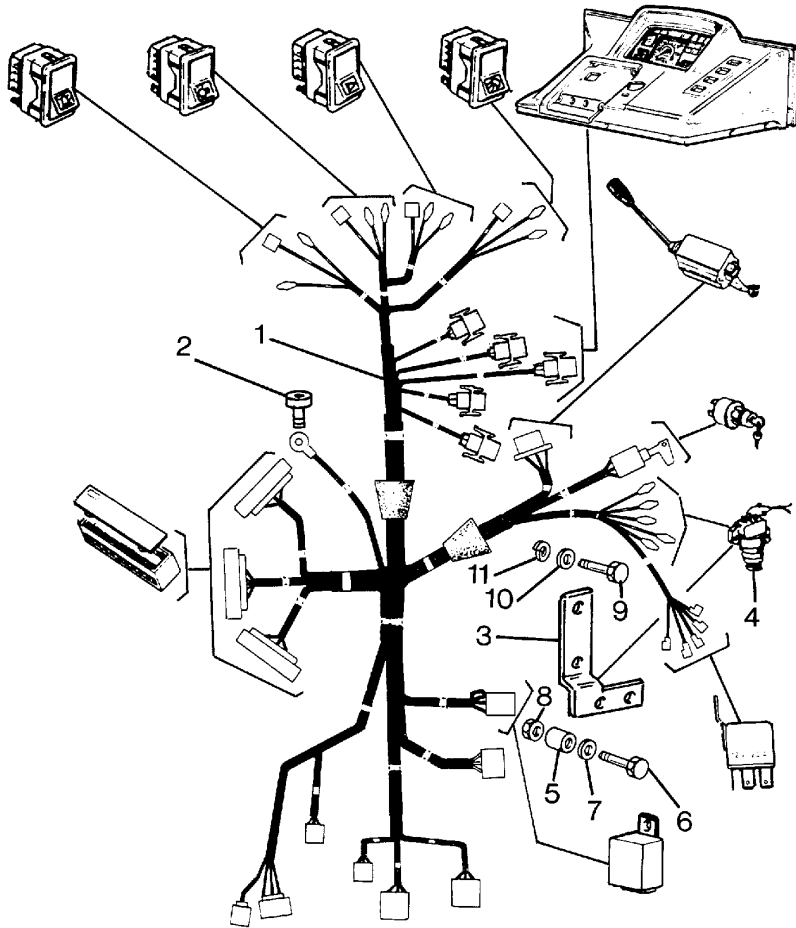
LIGHTING EQUIPMENT

D-00  
04

ELECTRONIC HARNESS - INSTRUMENT PANEL

Advantage 4 cyl 75GT  
Cab

D0004



- |    |            |              |   |             |
|----|------------|--------------|---|-------------|
| 1  | 3549165M91 | ⊕ D-00 02 3  | 1 | HARNESS     |
| 2  | 395579X1   |              | 1 | SCREW       |
| 3  | 3547497M1  |              | 1 | SUPPORT     |
| 4  | 3532018M91 |              | 2 | SWITCH,IND  |
|    |            | (X) 0.4.8.12 |   |             |
| 5  | 3547021M1  |              | 2 | SPACER      |
| 6  | 3015144X1  |              | 2 | SCREW       |
| 7  | 390468X1   |              | 4 | LOCK WASHER |
| 8  | 1443615X1  |              | 2 | NUT         |
| 9  | 339560X1   |              | 2 | SCREW       |
| 10 | 390971X1   |              | 2 | WASHER      |
| 11 | 339375X1   |              | 2 | LOCK WASHER |

⊕ SEE PAGE - REFERENCE NUMBER

QTY PER TRACTORS SOLD (AA.BBB.CCC.DDD) (AA) FOR  
1,(BBB) 2-10 (CCC) 11-25 (DDD) 26-50

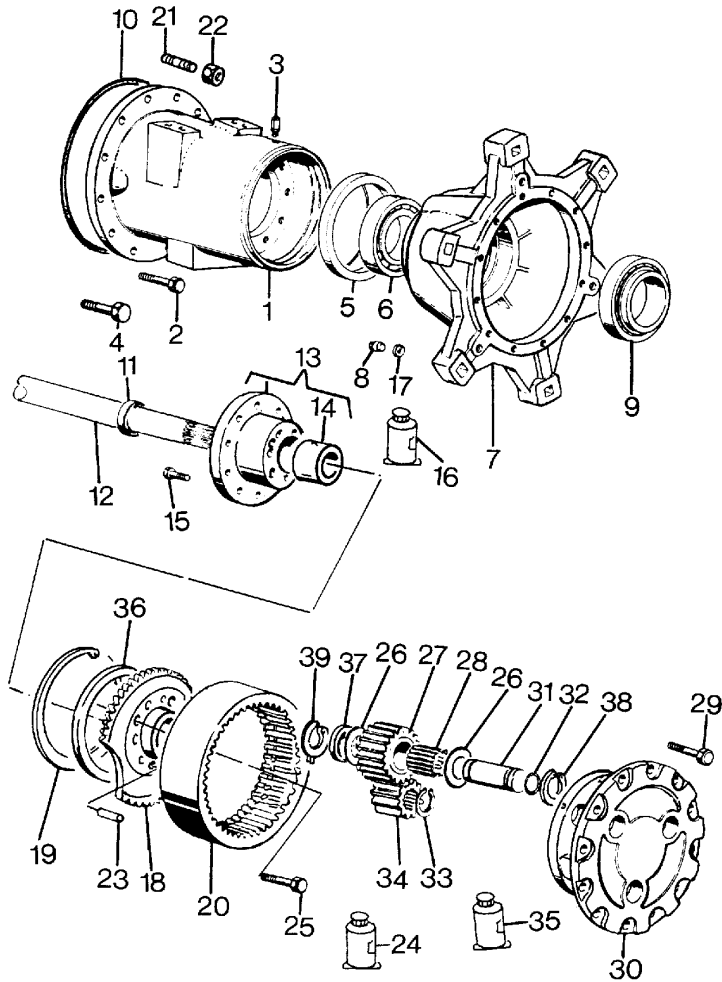
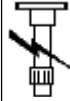
REAR AXLE AND REAR BRAKES

G-40  
02

REAR AXLE - HOUSING AND WHEEL HUB

Advantage 4 cyl 75GT  
Cab

G4002

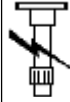


1	3533022M3	◀	1	SUPPORT
1	3533023M4	▶	1	SUPPORT
1	3539983M2	◀	1	SUPPORT
		C		
1	3539984M3	▶	1	SUPPORT
		C		
2	3304694M1	◄	5	SCREW
3	1823603M91		2	PLUG
4	3000253X1	◄	13	SCREW
5	3019960X1		2	SEAL
		(X) 0.0.2.4		
5	3542764M91		2	RING
		(X) 0.0.2.4		
6	3426851M2		2	BEARING
		(X) 0.2.4.6		
7	3547563M1		2	HUB
		STD		
7	3547565M1		2	HUB
		C		
		STD		
7	3547688M1		2	HUB
		PAVT		
8	3532632M91		2	PLUG
9	3426851M2		2	BEARING
		(X) 0.2.4.6		
10	3304650M1		2	RING
		(X) 0.4.8.16		
11	1441815X1		4	RING
12	3533031M1		2	HALFSHAFT
13	3533032M92		2	SPINDLE
14	3533036M1	!	2	BUSH
15	391934X1		24	SCREW
16	3545546M1		1	LOCTITE
		(X) 0.2.4.6		
17	1440702X1		2	WASHER
18	3427400M2		2	FLANGE
19	3426868M1		2	RING

REAR AXLE AND REAR BRAKES

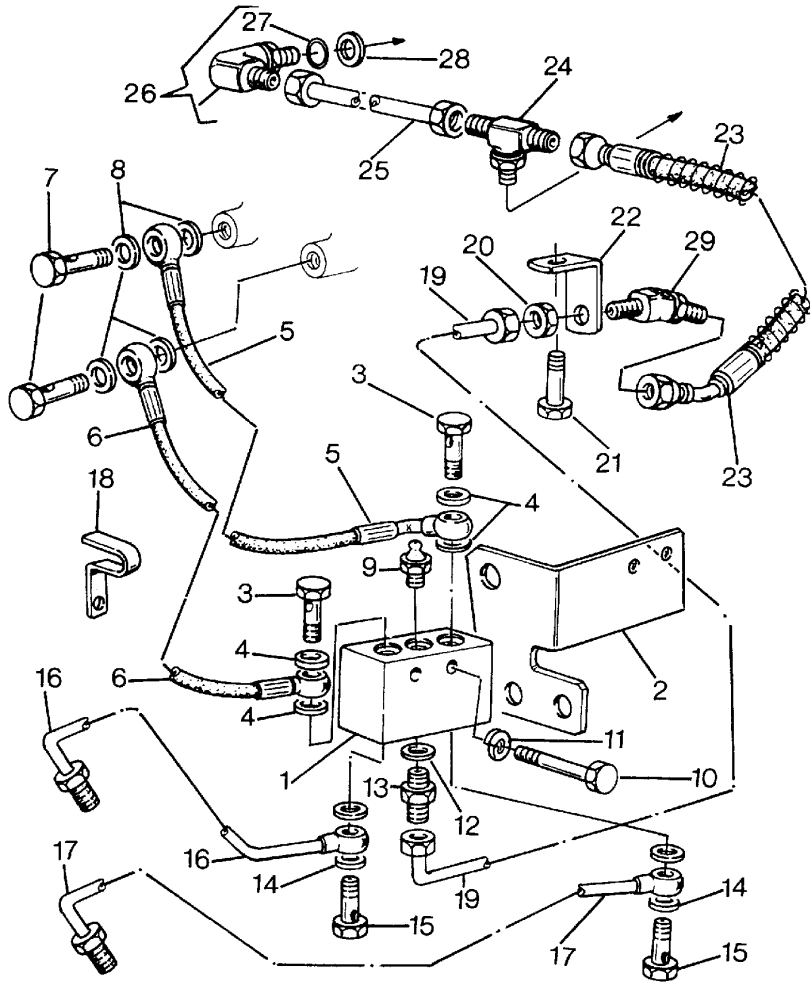
G-40  
06

BRAKE AND CONTROLS - PEDALS - PIPINGS



G4006

Advantage 4 cyl 75GT  
Cab



- |    |            |    |                |   |           |
|----|------------|----|----------------|---|-----------|
| 20 | 356612X1   | ➔  | B22050         | 1 | NUT       |
| 21 | 339124X1   |    |                | 1 | SCREW     |
| 22 | 3546679M2  |    |                | 1 | STIRRUP   |
| 23 | 3545818M91 | ●  | 3548233M91 (1) | 1 | HYDR HOSE |
|    |            | ➔  | 356612X1 (1)   |   |           |
|    |            |    | 371089X1 (1)   |   |           |
|    |            |    | B22049         |   |           |
| 23 | 3548233M91 | ➔  | B22050         | 1 | HYDR HOSE |
| 24 | 3547247M91 |    |                | 1 | UNION     |
| 25 | 3545819M91 | ≡≡ |                | 1 | PIPE      |
| 26 | 3306705M92 | ≡≡ |                | 1 | UNION     |
| 27 | 3015160X1  | !  | 26             | 1 | O RING    |
| 28 | 3548877M1  |    |                | 1 | WASHER    |
| 29 | 371089X1   | ➔  | B22050         | 1 | UNION     |

- ! THIS IS A COMPONENT OF AN ASSEMBLY
- ➔ FROM SERIAL OR ENGINE NUMBER
- ≡≡ UP TO SERIAL OR ENGINE NUMBER
- A WITH HYDRAULIQUE TRAILER BEAKING SYSTEM "ITALIA"
- B WITHOUT HYDRAULIQUE TRAILER BEAKING SYSTEM
- ≡≡ 4 WHEEL DRIVE
- ≡≡ 2 WHEEL DRIVE
- ◀ LEFT HAND
- ▶ RIGHT HAND

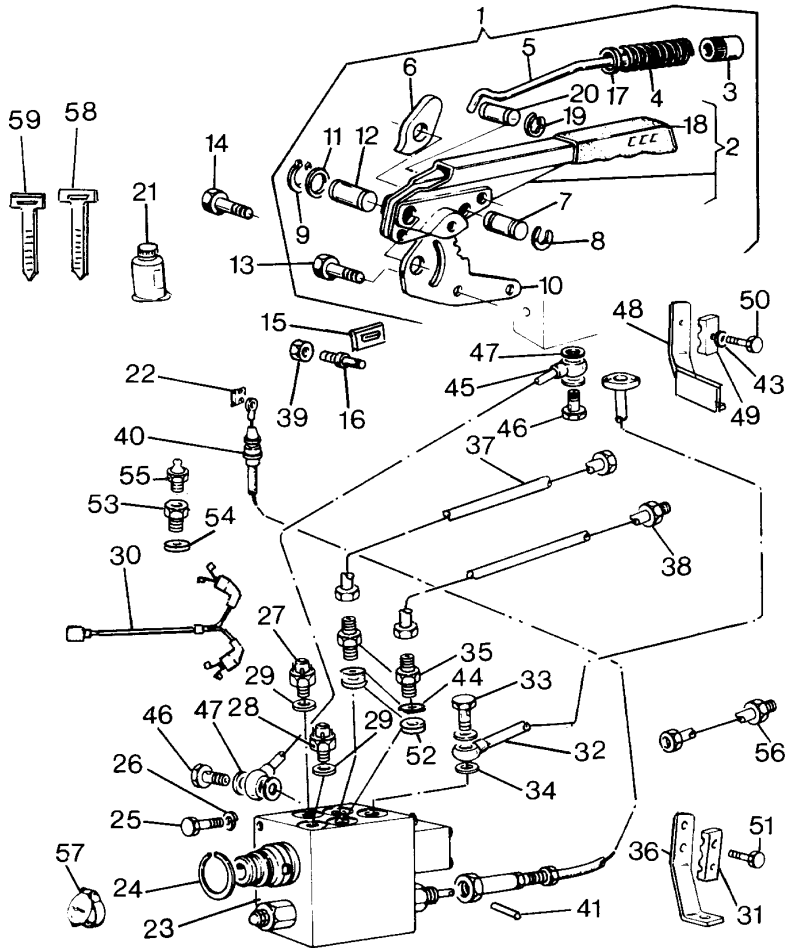
REAR AXLE AND REAR BRAKES

G-40  
115

JOINTS AND GASKETS-TOP SERVICE KIT - PLATE C - "1004-40T" GREEN ENGINE

Advantage 4 cyl 75GT  
Cab

G40115



- |    |            |                  |   |             |
|----|------------|------------------|---|-------------|
| 31 | 3535398M1  |                  | 1 | CONNECTOR   |
| 32 | 3547860M92 |                  | 1 | PIPE        |
| 33 | 394200X1   | HIDROIRMA        | 2 | UNION       |
| 33 | 394200X1   | TILL             | 1 | UNION       |
| 34 | 3554595M1  | TILL             | 2 | WASHER      |
| 34 | 3554595M1  | HIDROIRMA        | 4 | WASHER      |
| 35 | 3300775M93 |                  | 2 | UNION       |
| 36 | 3547625M1  |                  | 1 | STIRRUP     |
| 37 | 3547859M92 | TILL             | 1 | PIPE        |
| 37 | 3549117M91 | HIDROIRMA        | 1 | PIPE        |
| 38 | 3547858M92 |                  | 1 | PIPE        |
| 39 | 394367X1   |                  | 1 | NUT         |
| 40 | 3546843M92 | ● 3546843M93 (1) | 1 | CABLE       |
| 41 | 3015133X1  |                  | 1 | PIN         |
| 43 | 339375X1   |                  | 1 | LOCK WASHER |
| 44 | 3015165X1  | ! 35             | 2 | O RING      |
| 45 | 3547861M91 | B                | 1 | PIPE        |
| 46 | 394209X1   |                  | 2 | UNION       |
| 47 | 1440993X1  | ● 1444744X1 (4)  | 4 | GASKET      |
| 48 | 3547853M91 | ● 3547853M94 (1) | 1 | STIRRUP     |
| 49 | 3547117M1  |                  | 1 | PLATE       |
| 50 | 391074X1   |                  | 1 | SCREW       |
| 51 | 1442692X1  |                  | 2 | SCREW       |
| 52 | 3548879M1  |                  | 2 | WASHER      |
| 53 | 394209X1   |                  | 1 | UNION       |
| 54 | 1440993X1  | ● 1444744X1 (2)  | 2 | GASKET      |
| 55 | 3535742M1  | ● 3673839M1 (1)  | 1 | SCREW       |
| 56 | 3546730M91 | B                | 1 | PIPE        |
|    |            | TILL             |   |             |

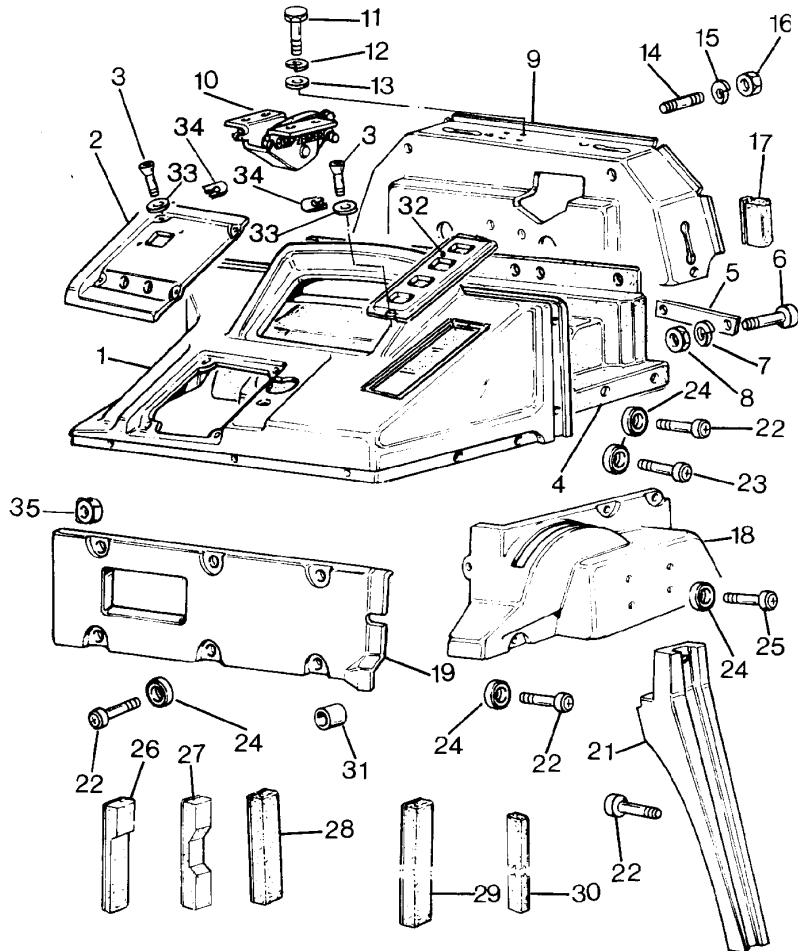
SHEET METAL

R-20  
04

SHEET METAL - PANELS

Advantage 4 cyl 75GT  
Cab

R2004



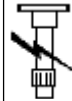
- |    |           |                 |     |           |
|----|-----------|-----------------|-----|-----------|
| 26 | 3548839M1 |                 | 1   | GASKET    |
| 27 | 3548838M1 |                 | 1   | GASKET    |
| 28 | 3548840M1 |                 | 1   | GASKET    |
| 29 | 3548152M1 | MT.1,50         | 999 | GASKET    |
| 30 | 3547987M1 | MT.3            | 999 | GASKET    |
| 31 | 3532923M1 |                 | 2   | SPACER    |
| 32 | 3549414M1 | ● 3549414M2 (1) | 1   | COVER     |
| 33 | 1427000M1 |                 | 6   | WASHER    |
| 34 | 3536060M1 |                 | 6   | NAMEPLATE |
| 35 | 3546840M2 |                 | 2   | INSERT    |

◀ LEFT HAND  
▶ RIGHT HAND

SHEET METAL

R-20  
09

DECALS



R2009

Advantage 4 cyl 75GT  
Cab

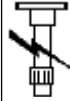


- Ⓘ FOR GERMANY ONLY
- Ⓔ FOR FRANCE ONLY
- Ⓛ FOR ITALY ONLY
- ⒼB FOR U.K. ONLY
- C IN ENGLISH
- D GERMAN
- H IN FRENCH
- I SPANISH
- ⓊS FOR UNITED STATES OF AMERICA

TRANSMISSION

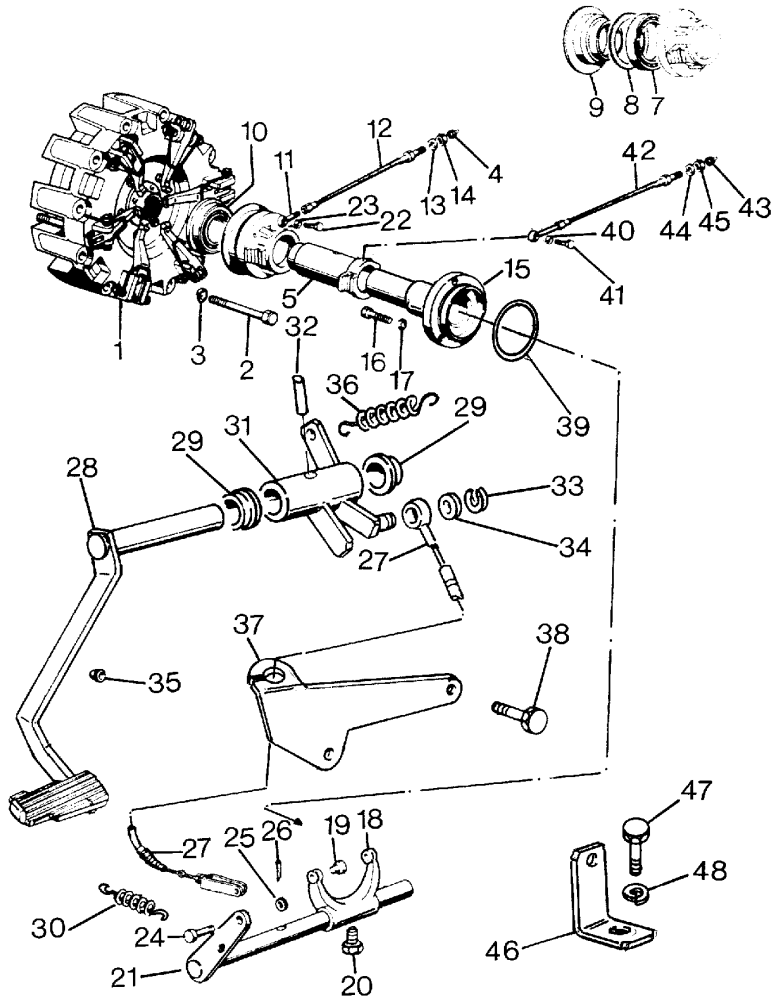
E-04  
03

CLUTCH PEDAL AND LINKAGE



E0403

Advantage 4 cyl 75GT  
Cab



1		A		1 CLUTCH
2	1441919X1	E		6 SCREW
		M10X60		
		(X) 0.12.24.48		
2	339084X1	D		12 SCREW
		(X) 0.12.24.48		
2	391924X1	E		6 SCREW
		M10X50		
		(X) 0.12.24.48		
3	1440314X1	E		6 LOCK WASHER
3	339374X1	D		12 LOCK WASHER
4	1440838X1			1 GREASER
5	1821699M3	●	1821699M4 (1)	1 COLLAR
		A		
6	3306507M91	●	3306507M93 (1)	1 COLLAR
		D		
7	1442381X1	D		1 BEARING
8	1821722M1			1 DISC
9	1423472M1	●	1423472M2 (1)	1 DISC
		D		
10	1423473M93	●	1423473M94 (1)	1 COLLAR
		A		
		(X) 0.2.4.8		
11	394578X1			1 UNION
12	3306485M91			1 HYDR HOSE
13	1440316X1			1 LOCK WASHER
14	339070X1			1 NUT
15	3545155M1	●	3545155M3 (1)	1 SUPPORT
16	339761X1			3 SCREW
17	1440314X1			3 LOCK WASHER
18	3534198M2	●	3534198M3 (1)	1 YOKE
		A		
19	973144M1			2 PIN

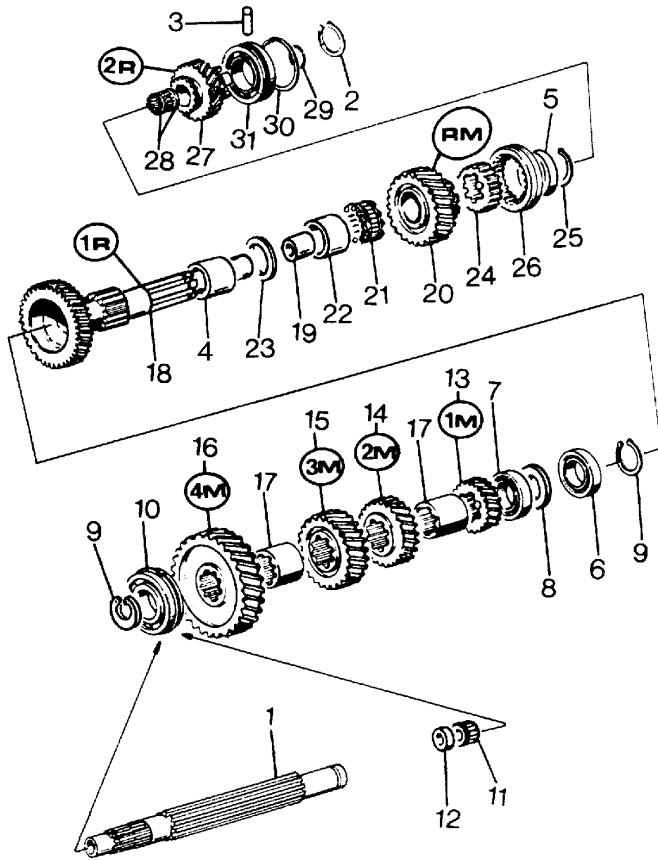
TRANSMISSION

E-04  
07

TRANSMISSION - OUTPUT SHAFT

Advantage 4 cyl 75GT  
Cab

E0407



27	3534368M1	25	1	GEAR
28	395567X1		2	CAGE
29	395566X1		1	RING
30	339517X1		1	RING
31	1443559X1		1	BEARING

(X) 0.2.4.8

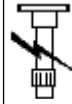
! THIS IS A COMPONENT OF AN ASSEMBLY  
A SHUTTLE WITHOUT  
A WITH REVERSOMATIC TRANSMISSION  
NUMBER OF TEETH/SPLINES

QTY PER TRACTORS SOLD (AA.BBB.CCC.DDD) (AA) FOR  
1,(BBB) 2-10 (CCC) 11-25 (DDD) 26-50

TRANSMISSION

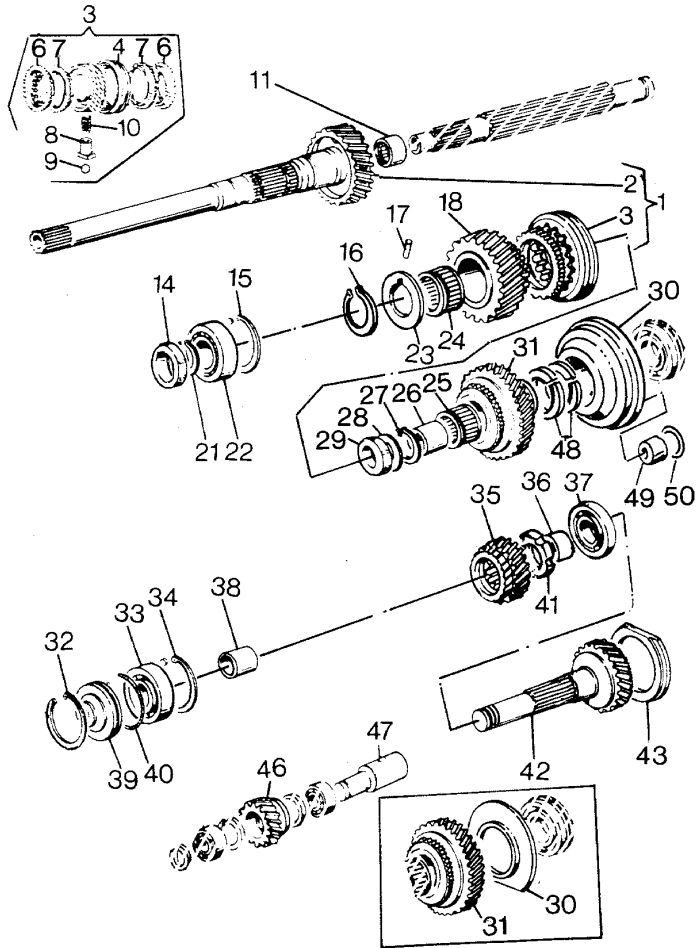
E-04  
11

REDUCER OPTION - GEARBOX - FOR "SHUTTLE" VERSION ONLY.



E0411

Advantage 4 cyl 75GT  
Cab



- |    |           |          |         |        |
|----|-----------|----------|---------|--------|
| 32 | 1443524X1 | 1        | RING    |        |
| 33 | 339436X1  | 1        | BEARING |        |
| 34 | 339437X1  | 1        | RING    |        |
| 35 | 3534907M2 | 1        | GEAR    |        |
| 36 | 3544709M1 | 1        | SPACER  |        |
| 37 | 339818X1  | 1        | BEARING |        |
| 38 | 3545316M1 | 1        | SPACER  |        |
| 39 | 3305048M2 | 1        | COVER   |        |
| 40 | 3305049M1 | 1        | RING    |        |
| 41 | 392771X1  | 1        | FERRULE |        |
| 42 | 3544705M1 | 1        | SHAFT   |        |
| 43 | 3309349M1 | 1        | DISC    |        |
| 44 | 1440618X1 | 2        | CAGE    |        |
| 45 | 3533957M1 | 1        | RING    |        |
| 46 | 3309363M1 | 1        | GEAR    |        |
| 47 | 3533979M1 | 1        | SHAFT   |        |
| 48 | 3548395M1 | ➔ C23020 | 2       | RING   |
| 49 | 3548398M1 | ➔ C23020 | 1       | PIPE   |
| 50 | 831519M1  | ➔ C23020 | 1       | O RING |

! THIS IS A COMPONENT OF AN ASSEMBLY  
 ➔ FROM SERIAL OR ENGINE NUMBER  
 ➔ UP TO SERIAL OR ENGINE NUMBER

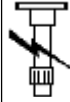
QTY PER TRACTORS SOLD (AA.BBB.CCC.DDD) (AA) FOR  
 1,(BBB) 2-10 (CCC) 11-25 (DDD) 26-50

TRANSMISSION

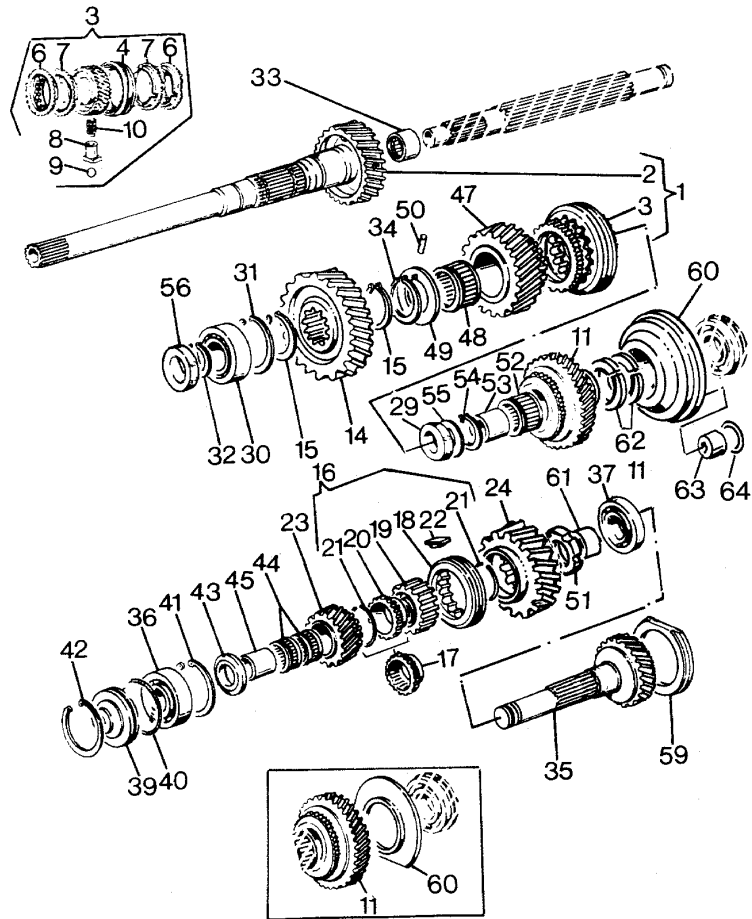
E-04  
15

REDUCER OPTION - GEARBOX - OVERDRIVE AND UNDERDRIVE VERSION

Advantage 4 cyl 75GT  
Cab



E0415



! THIS IS A COMPONENT OF AN ASSEMBLY

→ FROM SERIAL OR ENGINE NUMBER

↓ UP TO SERIAL OR ENGINE NUMBER

← NUMBER OF TEETH/SPLINES

QTY PER TRACTORS SOLD (AA.BBB.CCC.DDD) (AA) FOR  
1,(BBB) 2-10 (CCC) 11-25 (DDD) 26-50

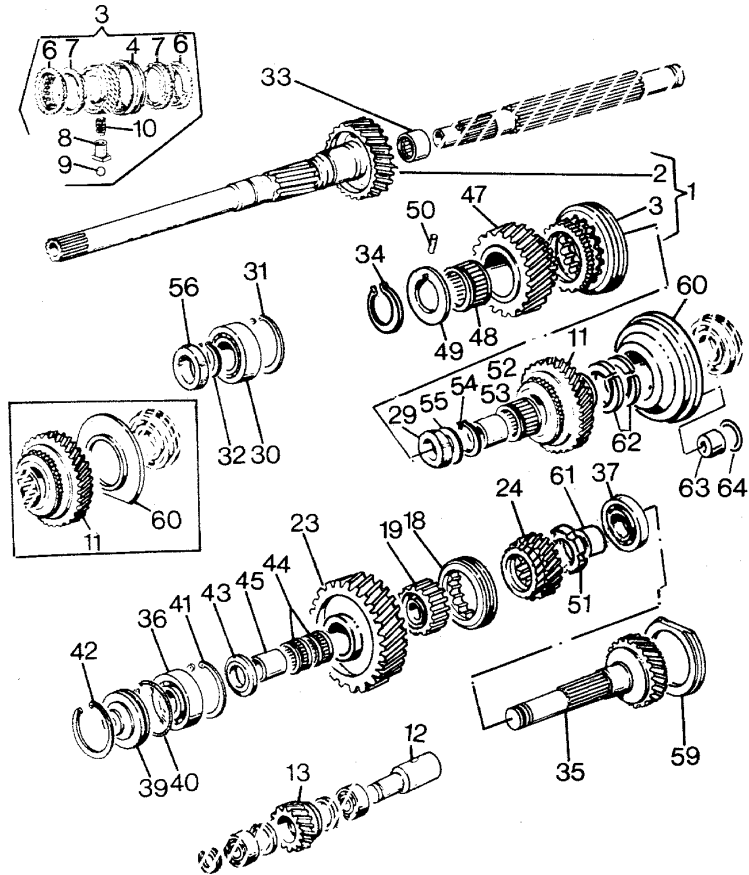
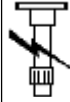
TRANSMISSION

E-04  
19

REDUCER OPTION - GEARBOX - SHUTTLE AND CREEPER VERSION

Advantage 4 cyl 75GT  
Cab

E0419



1	3545160M91	➔	C23019 GRAZIANO	1	SHAFT
1	3549769M91	➔	C23019	1	SHAFT
1	3550717M91	●	3550718M91 (1) C23020	1	SHAFT
1	3550718M91	➔	C23020	1	SHAFT
2	3545161M1	!	1 C23019	1	SHAFT
2	3550720M1	●	3550718M91 (1) 1 C23020	1	SHAFT
3	3538468M92	!	1 GRAZIANO	1	SYNCHRO GEAR
3	3549749M91	!	1 CATTINI	1	SYNCHRO GEAR
4	3538584M1	●	3538468M92 (1) 3 GRAZIANO	1	SLEEVE
4	3549750M1	!	3 CATTINI	1	SLEEVE
6	3538531M1	!	3 GRAZIANO	2	CROWNWHEEL
6	3539428M1	!	3 CATTINI	2	CROWNWHEEL
7	3538127M1	!	3 GRAZIANO	2	RING
7	3549754M1	!	3 CATTINI	2	RING
8	3538529M1	!	3 GRAZIANO	3	SKATE
8	3539424M1	!	3 CATTINI	3	SKATE
9	1444586X1	!	3	3	BALL
10	3533975M1	!	3 GRAZIANO	3	SPRING

CLICK HERE TO **DOWNLOAD** THE COMPLETE MANUAL

- Thank you very much for reading the preview of the manual.
- You can download the complete manual from: [www.heydownloads.com](http://www.heydownloads.com) by clicking the link below



- Please note: If there is no response to CLICKING the link, please download this PDF first and then click on it.

CLICK HERE TO **DOWNLOAD** THE COMPLETE MANUAL