

ACCESSORIES MECHANICAL

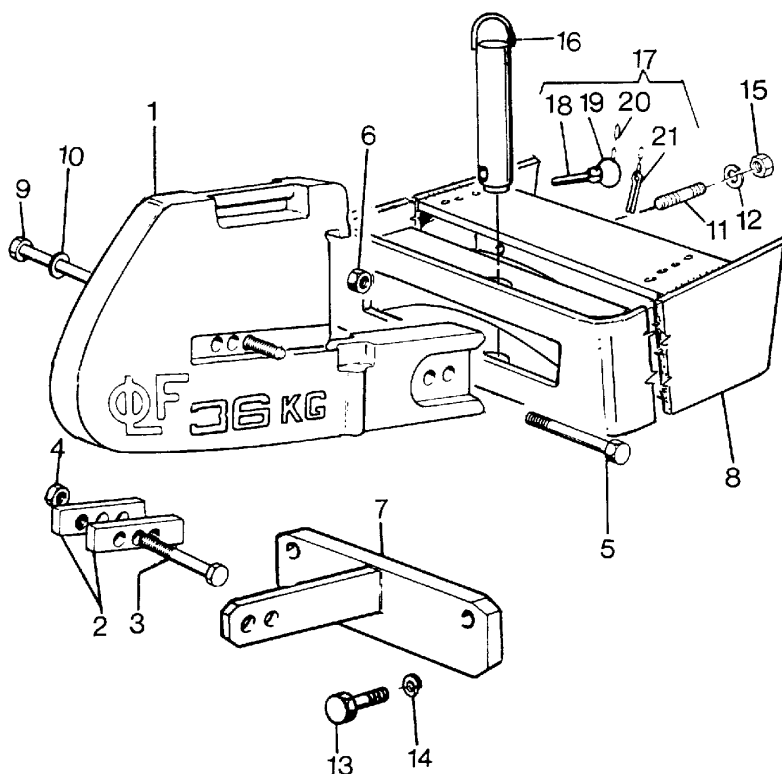
**X-48
01**

WEIGHT FRAME AND WEIGHTS - FRONT HOOK - UP TO SERIAL N. ...

Advantage 3 cyl 55-F
Cab



X4801



- | | | | | | |
|----|------------|---|----------------|---|-------------|
| 1 | 3545835M1 | ● | 3545835M2 (6) | 6 | BALLAST WE |
| 1 | 3545835M1 | ● | 3545835M2 (4) | 4 | BALLAST WE |
| 2 | 1426054M1 | | | 2 | PLATE |
| 3 | 339616X1 | | | 1 | BOLT |
| 4 | 392368X1 | | | 1 | NUT |
| 5 | 339805X1 | | | 2 | SCREW |
| 6 | 339034X1 | | | 2 | NUT |
| 7 | 3547057M91 | ● | 3682637M91 (1) | 1 | STIRRUP |
| 8 | 3547056M92 | ▶ | B10014 | 1 | SUPPORT |
| 8 | 3548426M91 | ● | 3548426M92 (1) | 1 | SUPPORT |
| | | ▶ | B10015 | | |
| 9 | 1441804X1 | ◄ | 200MM | 2 | SCREW |
| | | | 6 ZAVORRE | | |
| 9 | 391327X1 | ◄ | 145MM. | 2 | SCREW |
| | | | 4 ZAVORRE | | |
| 10 | 1441664X1 | | | 2 | LOCK WASHER |
| 11 | 392223X1 | | | 4 | SCREW |
| 12 | 391414X1 | | | 4 | LOCK WASHER |
| 13 | 391120X1 | | | 2 | SCREW |
| 14 | 391414X1 | | | 2 | LOCK WASHER |
| 15 | 339034X1 | | | 4 | NUT |
| 16 | 1426023M91 | | | 1 | PIN |
| 17 | 1699608M91 | | | 1 | KIT |
| 18 | 1426056M91 | ! | 17 | 1 | RETAINER |
| | | ▶ | 1699665M1 | | |
| 19 | 1699608M91 | ! | 17 | 1 | KIT |
| 20 | 1699417M1 | ● | 4203653M91 (1) | 1 | CHAIN |
| | | ▶ | 17 | | |
| | | ▶ | 646027M1 | | |
| 21 | 354074X1 | ! | 17 | 1 | RETAINER |

CLICK HERE TO **DOWNLOAD** THE COMPLETE MANUAL

- Thank you very much for reading the preview of the manual.
- You can download the complete manual from: www.heydownloads.com by clicking the link below



- Please note: If there is no response to CLICKING the link, please download this PDF first and then click on it.

CLICK HERE TO **DOWNLOAD** THE COMPLETE MANUAL

ENGINE

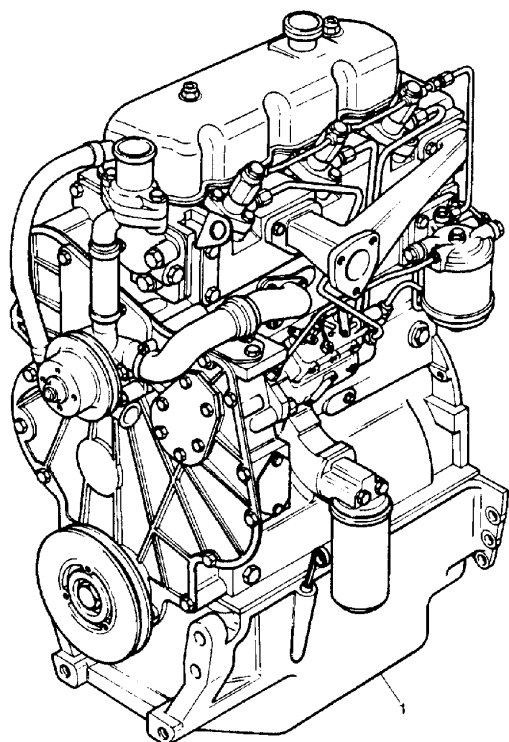
A-05
01

ENGINE - AD3.152 ENGINE

Advantage 3 cyl 55-F
Cab



A0501



- | | | | | | |
|---|------------|---|----------------|---|--------|
| 1 | 3553118M91 | ● | 3553118M92 (1) | 1 | ENGINE |
| | | ● | CE31197 | | |
| | | | B | | |
| 1 | 3553128M91 | ● | CE31212 | 1 | ENGINE |
| | | | D | | |
- REPAIRS AND REPLACES
B STD.HYDRAULIC LINES
D SINGLE HYDRAULIC LINES

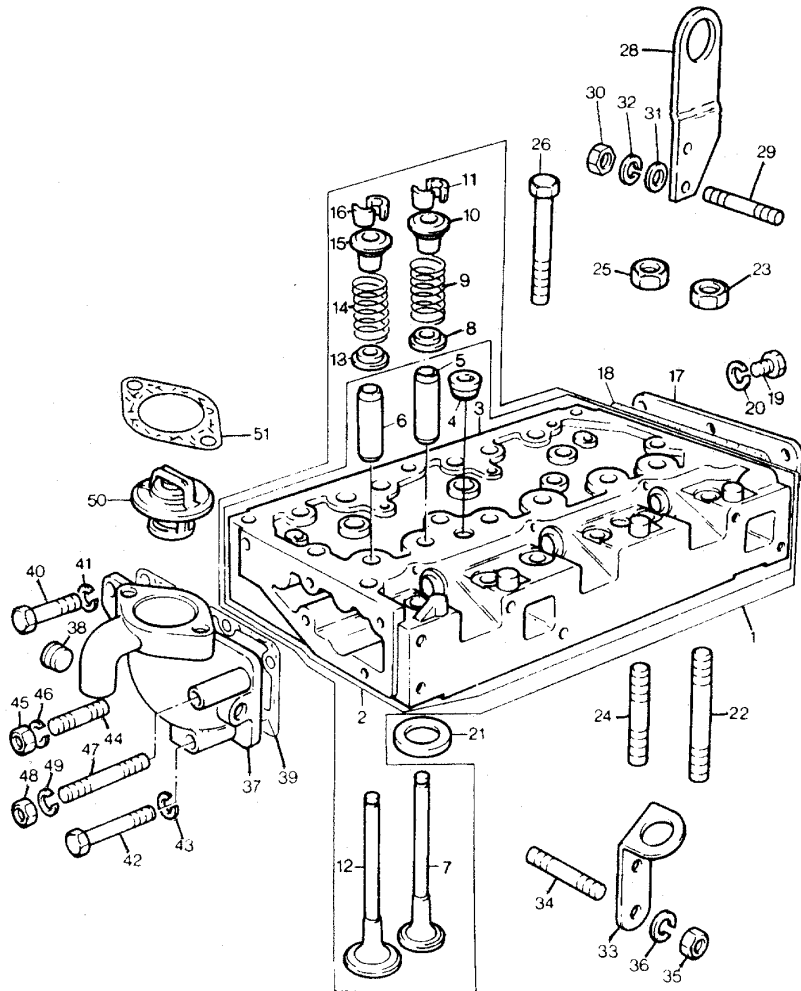
ENGINE

A-05
05

CYLINDER HEAD - - AD3.152 ENGINE

Advantage 3 cyl 55-F
Cab

A0505



- | | | | | |
|----|----------|----------------|---|-------------|
| 17 | 3612M002 | | 1 | COVER |
| 18 | 0490485 | ● 36851416 (1) | 1 | GASKET |
| 19 | 353517X1 | | 6 | SCREW |
| 20 | 0920053 | | 6 | WASHER |
| 21 | 33124428 | | 3 | INSERT |
| 22 | 32524132 | | 1 | STUD |
| 23 | 33221329 | | 1 | NUT |
| 24 | 32524148 | | 3 | STUD |
| 25 | 33221329 | | 3 | NUT |
| 26 | 32181457 | | 5 | SCREW |
| 27 | 32181458 | | 9 | SCREW |
| 28 | 36531408 | ● N.L.A. (1) | 1 | STIRRUP |
| 29 | 2216194 | | 2 | SCREW |
| 30 | 2188135 | | 2 | NUT |
| 31 | 0920004 | | 2 | WASHER |
| 32 | 0920054 | | 2 | LOCK WASHER |
| 33 | 36456321 | ● N.L.A. (1) | 1 | PLATE |
| 34 | 0826462 | | 2 | STUD |
| 35 | 2188135 | | 2 | NUT |
| 36 | 0920054 | | 2 | LOCK WASHER |
| 37 | 37766363 | | 1 | BODY |
| 38 | 2431A054 | ● 0650586 (1) | 1 | PLUG |
| 39 | 3685A004 | ● 3685A005 (1) | 1 | GASKET |
| 40 | 2183205 | | 2 | SCREW |
| 41 | 0920053 | | 2 | WASHER |
| 42 | 0096437 | | 1 | SCREW |
| 43 | 0920054 | | 1 | LOCK WASHER |
| 44 | 2217072 | | 1 | SCREW |
| 45 | 353916X1 | | 1 | NUT |

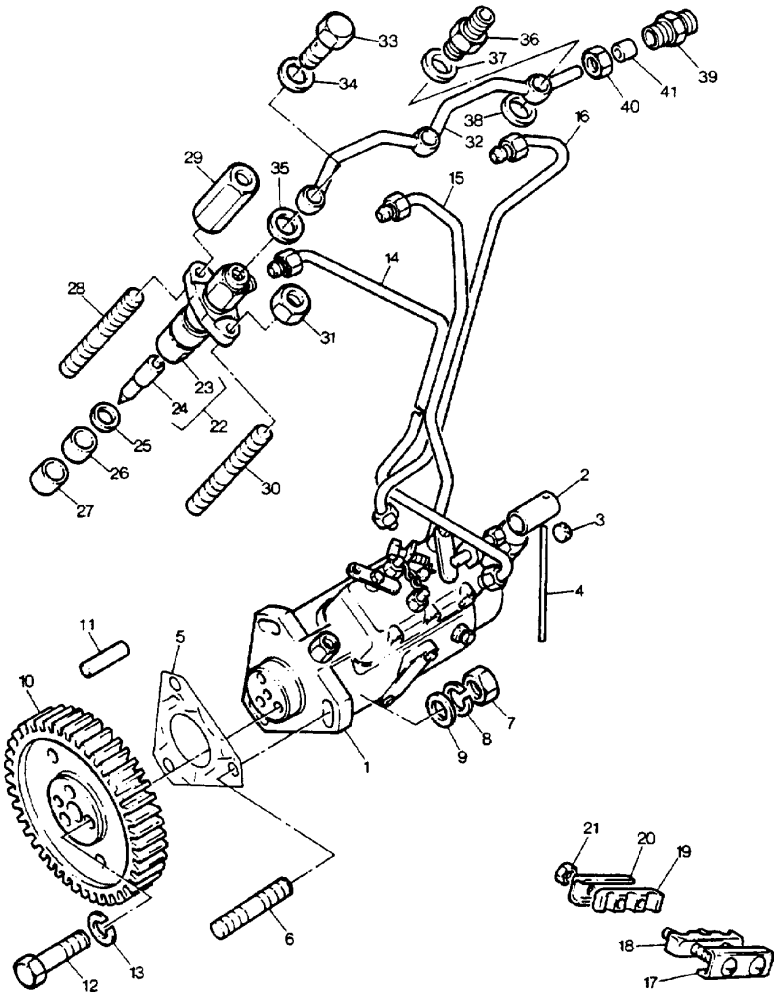
ENGINE

A-05
08

FUEL INJECTION EQUIPMENT (DIESEL) - AD3.152 ENGINE

Advantage 3 cyl 55-F
Cab

A0508



- !
-
- ⇨
-
- A
- B
- B
- D
- ▲

THIS IS A COMPONENT OF AN ASSEMBLY

FROM SERIAL OR ENGINE NUMBER

UP TO SERIAL OR ENGINE NUMBER

REPAIRS AND REPLACES

FOR ENGINES BUILT TO BUILD LIST CE31197 (3553118M91).

FOR ENGINES BUILT TO BUILD LIST CE31212 (3553128M91).

STD.HYDRAULIC LINES

SINGLE HYDRAULIC LINES

NUMBER OF TEETH/SPLINES

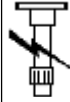
QTY PER TRACTORS SOLD (AA.BBB.CCC.DDD) (AA) FOR
1,(BBB) 2-10 (CCC) 11-25 (DDD) 26-50

ENGINE

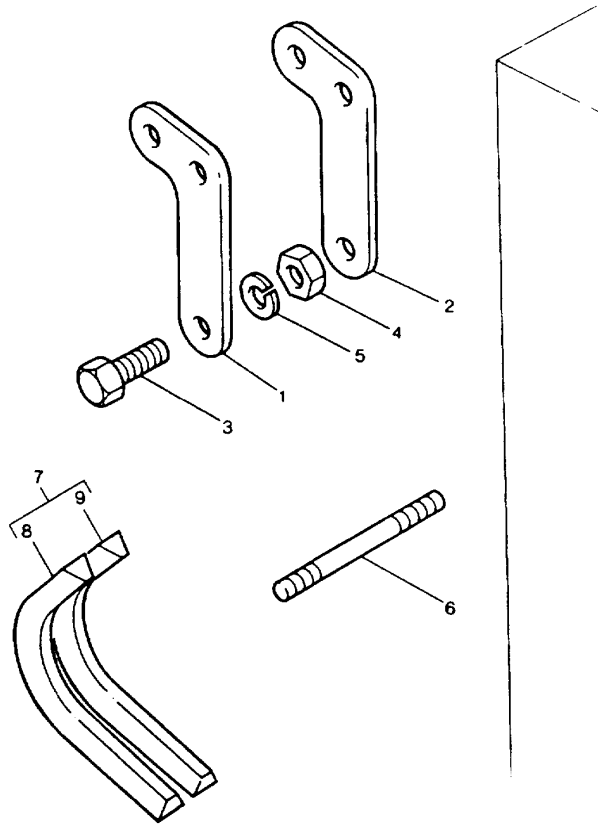
A-05
14

ALTERNATOR POSITIONER - AD3.152 ENGINE

Advantage 3 cyl 55-F
Cab



A0514



- | | | | | |
|---|----------|-----------------------------|---|---------|
| 1 | 3624V012 | | 1 | SUPPORT |
| 2 | 3624V012 | | 1 | SUPPORT |
| 3 | 354226X1 | ● 0096242 (2) | 2 | SCREW |
| 4 | 353916X1 | | 2 | NUT |
| 5 | 0920053 | | 2 | WASHER |
| 6 | 2217571 | | 1 | SCREW |
| 7 | 2614B642 | ● 2614B042
(X) 0.8.16.32 | 1 | BELT |
| 8 | ! | 7 | 1 | BELT |
| | ▣ | REF.7 | | |
| 9 | ! | 7 | 1 | BELT |
| | ▣ | REF.7 | | |

! THIS IS A COMPONENT OF AN ASSEMBLY
 ● REPAIRS AND REPLACES
 ▣ NOT SERVICED, ORDER

QTY PER TRACTORS SOLD (AA.BBB.CCC.DDD) (AA) FOR
 1,(BBB) 2-10 (CCC) 11-25 (DDD) 26-50

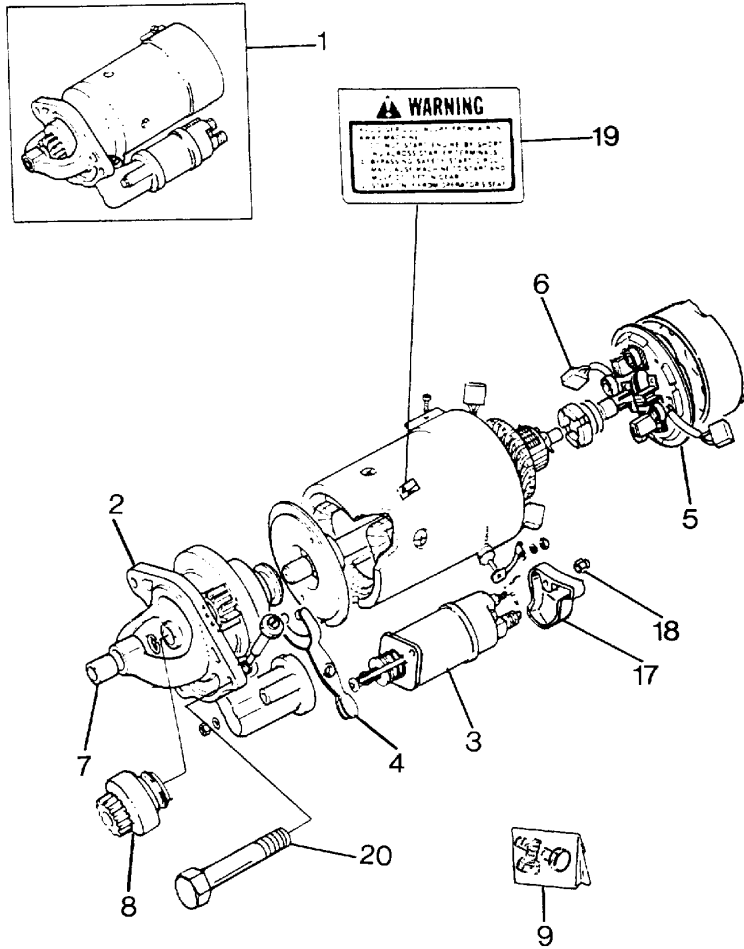
ENGINE ANCILLARY EQUIPMENT

C-32
05

STARTER MOTOR - ISKRA TYPE

Advantage 3 cyl 55-F
Cab

C3205



1	3546390M91	●	3539389M91 (1)	1	STARTERMOTO R
			B		
			(X) 0.1.2.4		
2	3540063M91	!	1	1	SUPPORT
3	3540065M1	!	1	1	SOLENOID
			(X) 0.1.2.4		
4	3540066M1	!	1	1	LEVER
5	3540067M1	!	1	1	SUPPORT
6	3540068M91	!	1	1	KIT
			(X) 0.1.2.4		
7	3540069M1	!	1	1	BEARING
8	3540070M1	!	1	1	GEAR
9	3540071M91	!	1	1	KIT
			(X) 0.1.2.4		
17	3539391M1			1	GUARD
18	3539395M1			1	NUT
19	773255M1	!	1	1	DECAL
			B		
20			D	3	SCREW
!	THIS IS A COMPONENT OF AN ASSEMBLY				
B	PART NUMBER MUST BE ORDERED WITH ITS SAFETY DECAL.				
B	SEE SAFETY DECAL.				
D	SUPPLIED BY PERKINS (SEE ENGINE SECTION)				
(X)	QTY PER TRACTORS SOLD (AA.BBB.CCC.DDD) (AA) FOR 1,(BBB) 2-10 (CCC) 11-25 (DDD) 26-50				

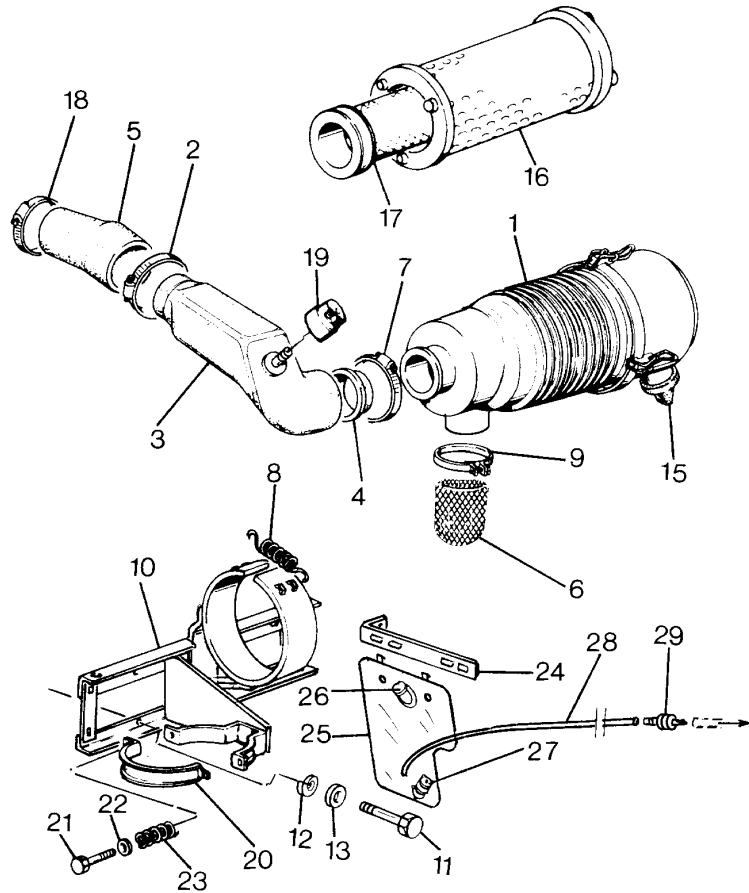
ENGINE ANCILLARY EQUIPMENT

C-32
10

DRY AIR FILTER - DUAL ELEMENT - DRY AIR CLEANER

Advantage 3 cyl 55-F
Cab

C3210



1	3543545M91	A	1	FILTER
		(X) 0.0.1.2		
2	3307669M91		1	CLAMP
3	3546882M91	● 3546882M92 (1)	1	PIPE
4	3543603M1		1	GASKET
5	3549096M1		1	SLEEVE
6	3547030M2		1	CAP
7	394306X1		1	RETAINER
8	3542903M92		2	SPRING
9	3307667M91		1	CLAMP
10	3546896M93	● 3546896M97 (1)	1	SUPPORT
11	339560X1		4	SCREW
12	339375X1		4	LOCK WASHER
13	390971X1		4	WASHER
15	3540050M1	! 1	1	VALVE
		(X) 0.5.10.20		
16	3540046M1	! 1	1	ELEMENT
		(X) 0.10.20.40		
17	3540047M1	! 1	1	ELEMENT
		(X) 0.10.20.40		
18	3307667M91		1	CLAMP
19	3534833M91		1	VALVE
20	3300128M1		1	RING
21	392526X1		1	SCREW
22	390971X1		1	WASHER
23	1860174M1		1	SPRING
24	3548089M1	➡ C52007	1	STIRRUP
25	3539651M91	➡ C52007	1	TANK
26	3311975M1	! 25	1	PLUG
		➡ C52007		
27		! 25	1	PUMP
		➡ REF.N.25		

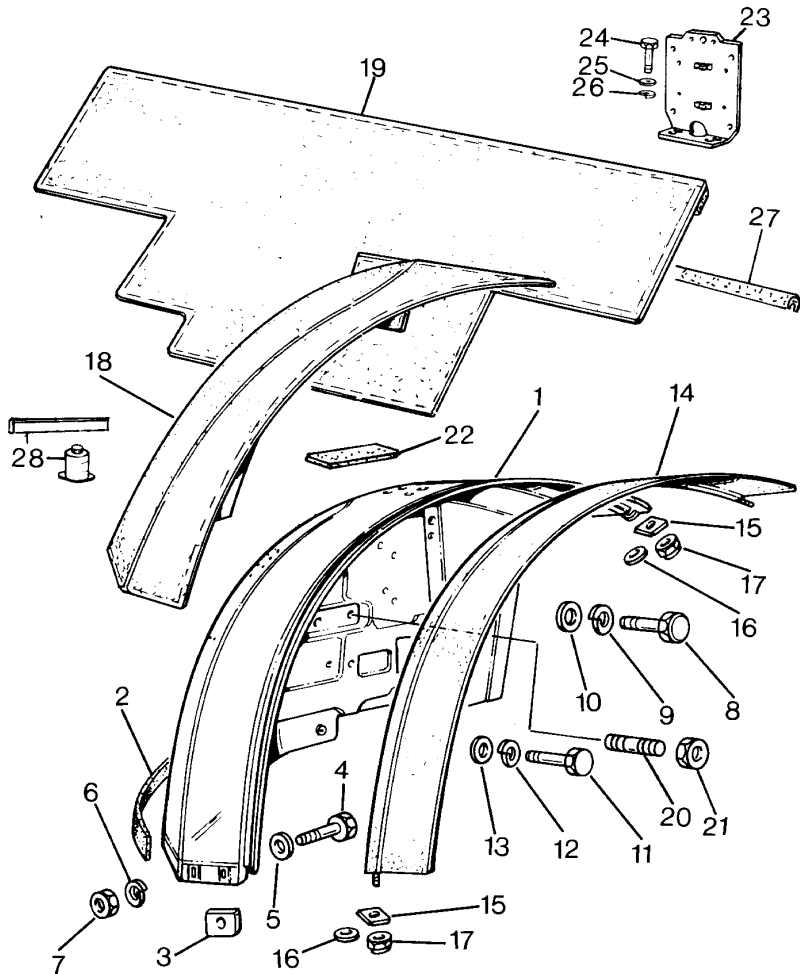
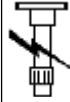
FENDERS FOOTSTEPS AND PLATFORM

S-22
02

SHEET METAL - PANELS

Advantage 3 cyl 55-F
Cab

S2202



- | | | | | | |
|----|------------|---|----------------|---|-------------|
| 1 | 3547369M92 | ● | 3009694X1 (2) | 1 | FENDER |
| | | ▲ | 3019072X1 (2) | | |
| | | ▼ | 3548422M94 (1) | | |
| 1 | 3547375M92 | ▲ | | 1 | FENDER |
| 1 | 3548418M91 | ● | 3548418M92 (1) | 1 | FENDER |
| | | ▲ | | | |
| 2 | 3548431M1 | | MT.2 | 2 | GASKET |
| 3 | 1424017M1 | | | 4 | DAMPER |
| 4 | 339761X1 | | M8X25 | 4 | SCREW |
| 5 | 390972X1 | | | 4 | WASHER |
| 6 | 339374X1 | | | 4 | LOCK WASHER |
| 7 | 339169X1 | ● | 394367X1 (4) | 4 | NUT |
| 8 | 339123X1 | | M8X20 | 4 | SCREW |
| 9 | 339374X1 | | | 4 | LOCK WASHER |
| 10 | 390972X1 | | | 4 | WASHER |
| 11 | 339666X1 | | M6X20 | 6 | SCREW |
| 12 | 339375X1 | | | 6 | LOCK WASHER |
| 13 | 391038X1 | | | 6 | WASHER |
| 14 | 3308388M92 | | B | 2 | EXTENSION |
| 14 | 3308389M92 | | A | 2 | EXTENSION |
| 15 | 3307164M3 | | | 4 | PLATE |
| 16 | 390971X1 | | | 4 | WASHER |
| 17 | 1442021X1 | | | 4 | NUT |
| 18 | 3550663M91 | ▶ | C17024 | 1 | FACING |
| | | ▶ | | | |
| | | ▶ | | | |
| 18 | 3550664M91 | ▶ | C17024 | 1 | FACING |
| | | ▶ | | | |
| | | ▶ | F | | |
| 18 | 3550665M91 | ▶ | C17024 | 1 | FACING |
| | | ▶ | | | |
| | | ▶ | B | | |

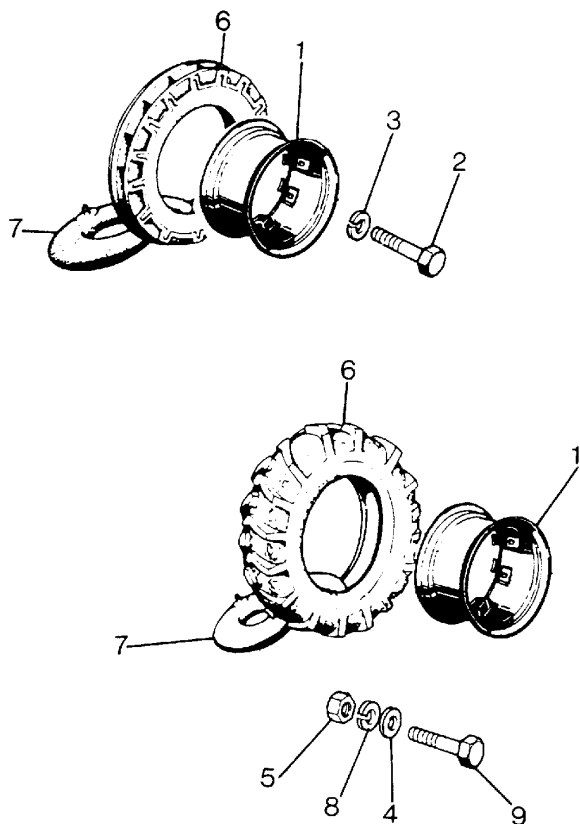
FRONT AXLE AND STEERING

J-09
01

FRONT WHEELS - HOOPS AND TYRES

Advantage 3 cyl 55-F
Cab

J0901



6	3307460M1	●	N.L.A. (2)	2	TYRE AND TUBE
		II	7.5L-15 6PR		
6	3538939M1	II	7.50-16 6PR	2	TYRE
6	3538941M1	II	7.50-18 6PR	2	TYRE
6	3543125M1	II	6.00-16 8PR	2	TYRE
6	3549141M1	II	8.25-16 8PR	2	TYRE AND TUBE
6	3558870M1	II	280/70 R16	2	TYRE AND TUBE
7	1816639M91	II	C	2	CHAMBER
7	1823727M91		A	2	CHAMBER
7	3303397M91		A	2	CHAMBER
7	3303399M91	II	A	2	CHAMBER
7	3303401M91		F	2	CHAMBER
			F		
7	3303403M91		G	2	CHAMBER
7	3307461M91		L	2	CHAMBER
7	3536241M91		I	2	CHAMBER
			N		
7	979877M91		B	2	CHAMBER
8	391414X1	II		10	LOCK WASHER
9	3303567M1	II		10	SCREW
			(X) 0.20.30.50		

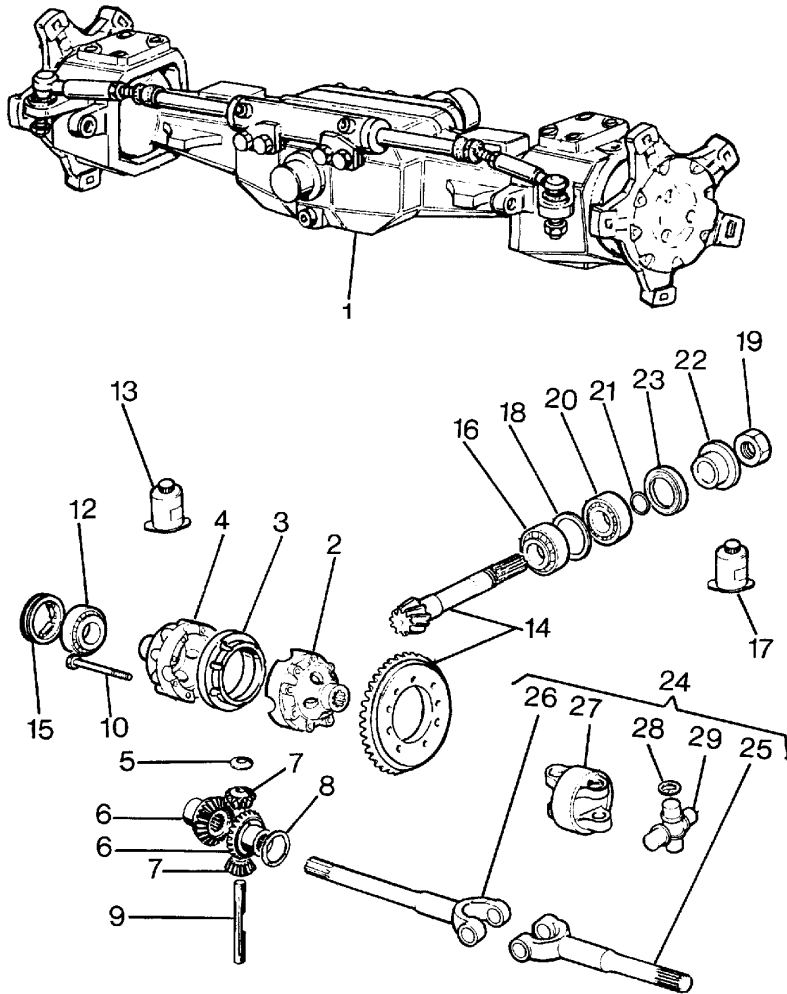
FRONT AXLE AND STEERING

J-09
05

FRONT AXLE 4 WHEEL DRIVE - DIFFERENTIAL

Advantage 3 cyl 55-F
Cab

J0905



21	366434X1		1	RING
		(X) 0.2.4.8		
22	3428920M1		1	SPACER
		(X) 0.2.4.8		
23	3428942M1		1	SEAL
		(X) 0.2.4.8		
24	3428935M91		2	SHAFT
25	3428940M1	!	24	2
		(X) 0.1.2.4		
26	3428934M1	!	24	2
		(X) 0.1.2.4		
27	3428456M1	!	24	2
		(X) 0.1.2.4		
28	390917X1	!	24	16
		(X) 0.16.32.64		
29	3427406M1	!	24	4
		(X) 0.4.8.16		

! THIS IS A COMPONENT OF AN ASSEMBLY

☞ NOT SERVICED, ORDER

A USED WITH HYDROLOCK DIFFERENTIAL

A USED WITH STD DIFFERENTIAL

▲ SHIM

■ NUMBER OF TEETH/SPLINES

QTY PER TRACTORS SOLD (AA.BBB.CCC.DDD) (AA) FOR 1.(BBB) 2-10 (CCC) 11-25 (DDD) 26-50

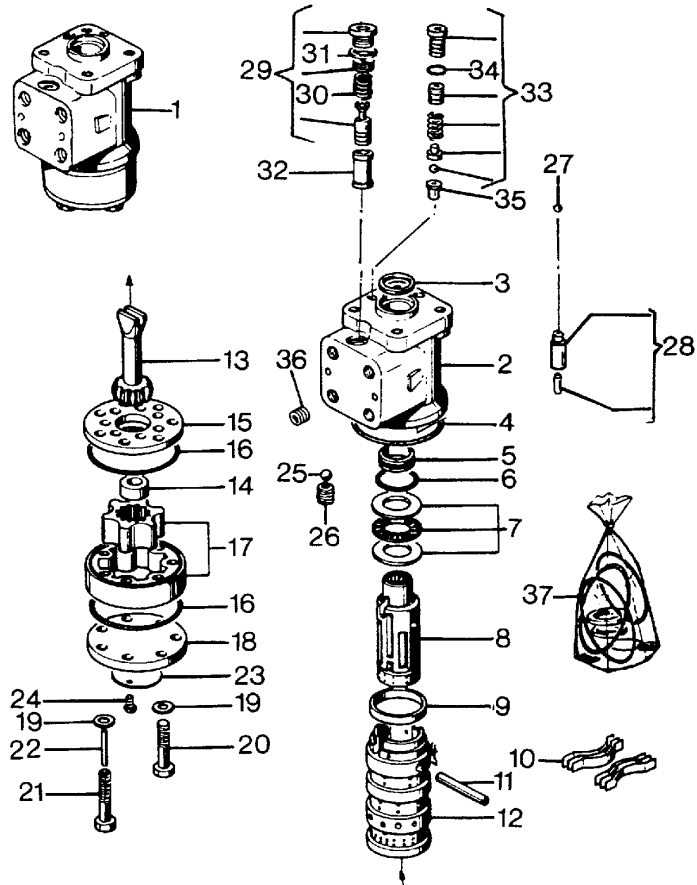
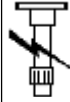
FRONT AXLE AND STEERING

J-09
10

STEERING DISTRIBUTOR "ORBITROL" - 2 WHEEL DRIVE

Advantage 3 cyl 55-F
Cab

J0910



1	3305964M92		1	DISTRIBUTOR
2		!	1	BODY
		REF.N.1		
3	1887719M1	!	1	RING
		A		
4	1806314M1	!	1	RING
		A		
5	1887717M1	!	1	RING
		A		
6	1887718M1	!	1	RING
		A		
7	1894414M91	!	1	BEARING
8		!	1	VALVE
		REF.N.1		
9	1806303M1	!	1	BUSH
10	1894415M1	!	1	KIT
11	1806310M1	!	1	PIN
12		!	1	BODY
		REF.N.1		
13	1806416M1	!	1	SHAFT
15	1806319M1	!	1	PLATE
16	1806315M1	!	2	RING
		A		
17	1895933M91	!	1	GEAR
18	1806316M1	!	1	CAP
19	1806317M1	!	7	WASHER
20	1895935M1	!	6	SCREW
21	1895934M1	!	1	SCREW
22	1806312M1	!	1	PIN
23	1890402M1	!	1	PLATE
24	1806318M1	!	2	SCREW
25	1806311M1	!	1	BALL
26	1806313M1	!	1	SCREW
27	1897434M1	!	2	BALL

HYDRAULICS AND LINKAGE

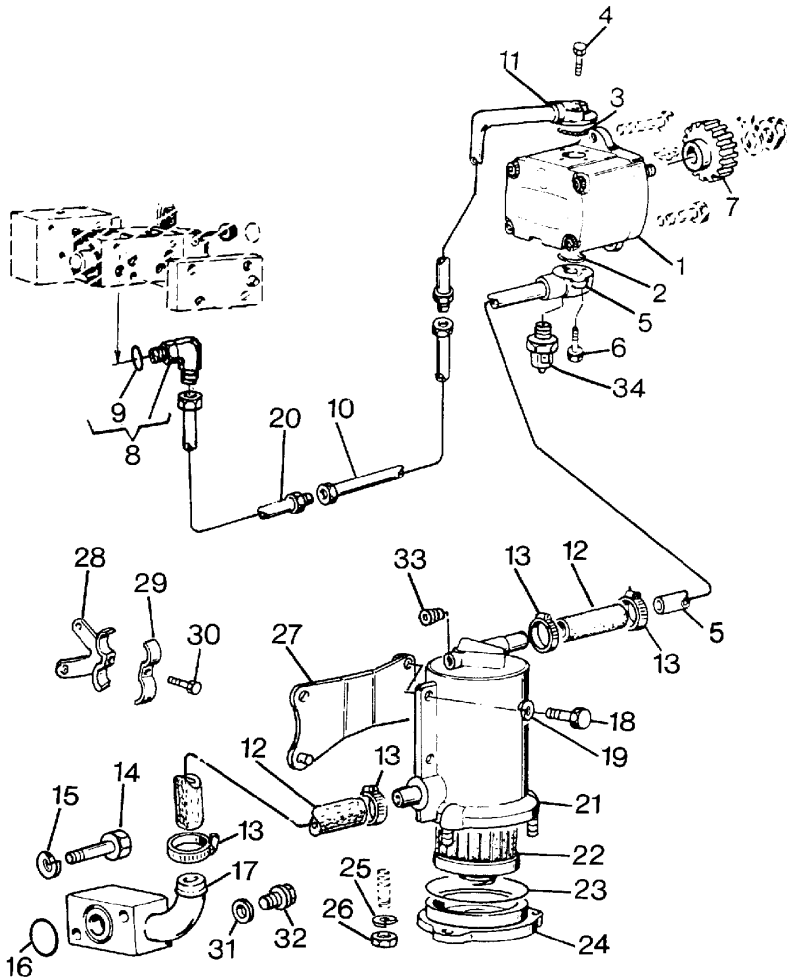
P-42
01

HYDRAULIC EQUIPMENT - LIFT PIPINGS - HIDRAULIC LINES STD



P4201

Advantage 3 cyl
Cab 55-F

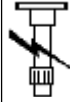


1	◇ P-42 03 1	1	PUMP
	◇ P-42 04 1		
1	◇ P-42 06 1	1	PUMP
	◇ P-42 05 1		
	A		
2	1441699X1	1	O RING
3	851258M1	1	O RING
4	1442692X1	3	SCREW
5	3549890M91	1	PIPE
6	390796X1	3	SCREW
7	1695002M3	1	GEAR
	▲ 16		
	(X) 0.2.3.4		
8	3304523M93	1	UNION
	(X) 0.5.10.20		
8	367386X1	1	UNION
	A		
	B		
9	851134M1	1	RING
	! 8		
10	3549891M91	1	PIPE
11	3547230M91	1	PIPE
12	3307251M1	2	SLEEVE
13	394301X1	4	CLAMP
14	1441919X1	2	SCREW
	(X) 0.12.24.48		
15	1440314X1	2	LOCK WASHER
16	1004637M1	1	RING
17	3546726M92	1	FLANGE
18	339804X1	2	SCREW
19	339375X1	2	LOCK WASHER
20	3546730M91	1	PIPE
21	3532598M91	1	BODY
22	3530223M92	1	FILTER
	(X) 1.20.40.80		
23	1007242M1	1	RING
24	3532630M1	1	COVER

HYDRAULICS AND LINKAGE

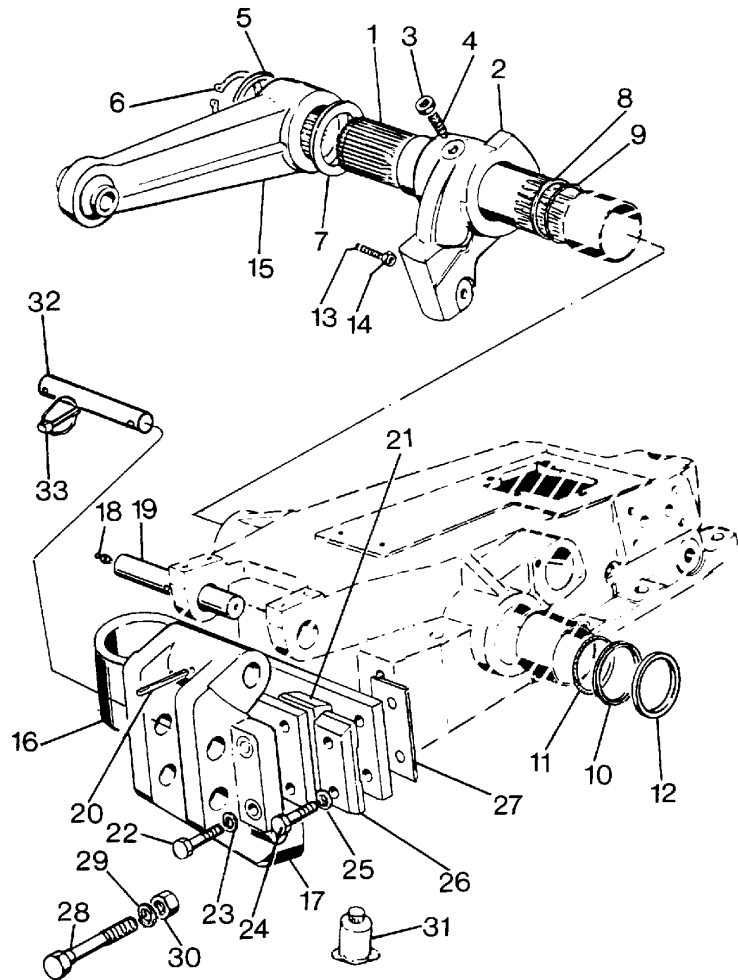
P-42
08

HYDRAULIC LIFT - LIFT ARMS - WITH MECANICS RISER



P4208

Advantage 3 cyl
Cab 55-F



29	1440317X1		1	LOCK WASHER
30	3384600M2		1	NUT
		(X) 0.20.30.50		
31	3303220M1	● 3303220M2 (999)	999	LOCTITE
32	1825297M1	A	1	PIN
33	1426056M91	A	1	RETAINER



REPAIRS AND REPLACES



WITH THREE POINT LINKAGE



LEFT HAND



RIGHT HAND

QTY PER TRACTORS SOLD (AA.BBB.CCC.DDD) (AA) FOR
1,(BBB) 2-10 (CCC) 11-25 (DDD) 26-50

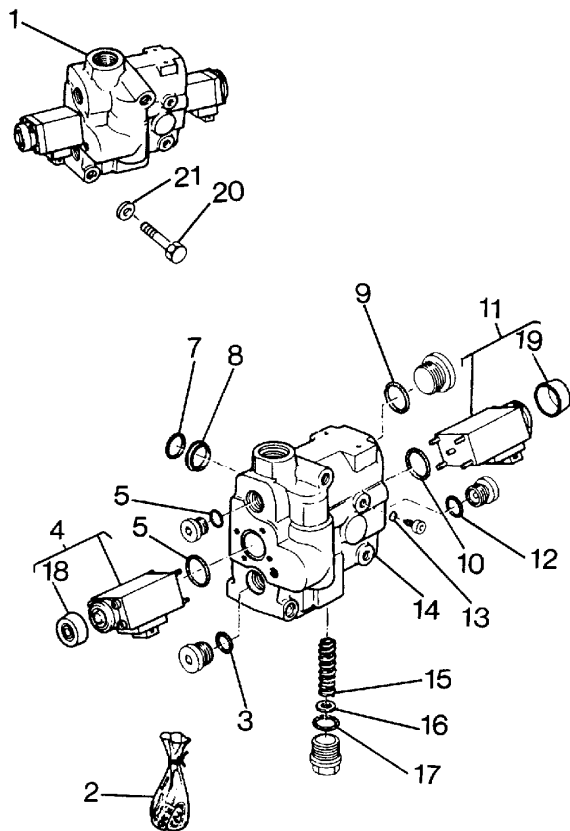
HYDRAULICS AND LINKAGE

P-42
14

LIFT DISTRIBUTOR - WITH ELECTRONIC LIFT

Advantage 3 cyl 55-F
Cab

P4214



16	1717462M1	!	1	999	WASHER
		⌘	2,50		MM.
17		!	2	1	GASKET
		☞	REF.N.2		
18		!	4	1	CAP
			C		
19		!	11	1	CAP
			C		
20	1441946X1			3	SCREW
21	391037X1			3	LOCK WASHER

! THIS IS A COMPONENT OF AN ASSEMBLY
 ☞ NOT SERVICED, ORDER
 A BOSCH TYPE
 ⌘ SHIM
 C TO BE ADVISED
 (X) QTY PER TRACTORS SOLD (AA.BBB.CCC.DDD) (AA) FOR
 1,(BBB) 2-10 (CCC) 11-25 (DDD) 26-50

CLICK HERE TO **DOWNLOAD** THE COMPLETE MANUAL

- Thank you very much for reading the preview of the manual.
- You can download the complete manual from: www.heydownloads.com by clicking the link below



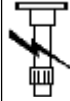
- Please note: If there is no response to CLICKING the link, please download this PDF first and then click on it.

CLICK HERE TO **DOWNLOAD** THE COMPLETE MANUAL

HYDRAULICS AND LINKAGE

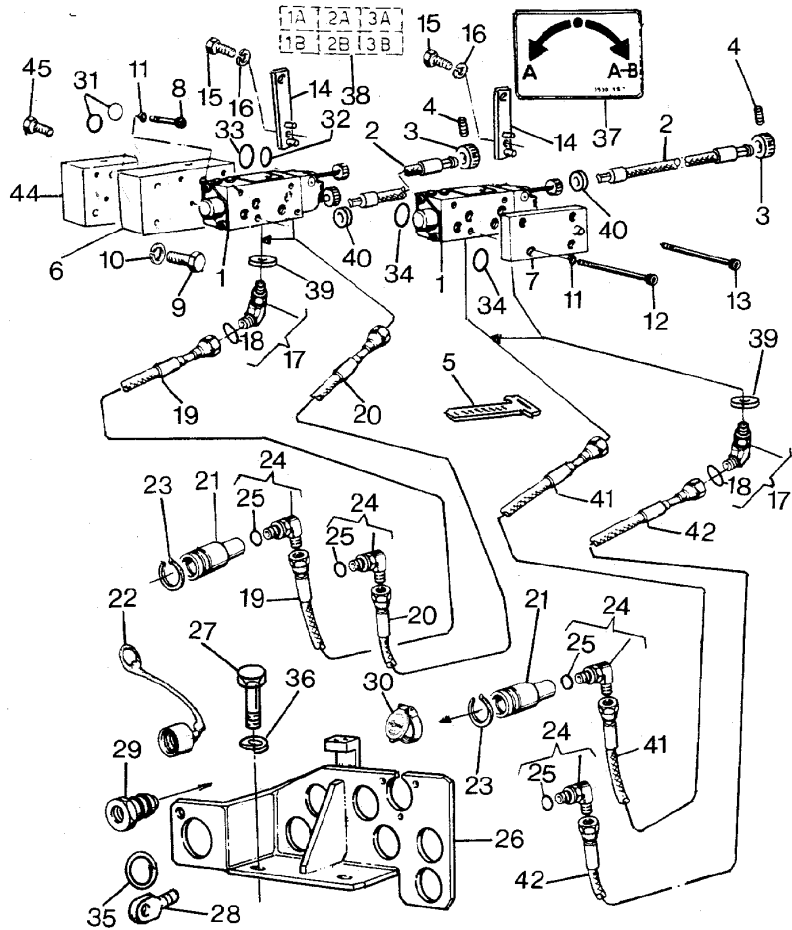
P-42
19

AUXILIARY HYDRAULIC VALVE LINES - TYP TILL



P4219

Advantage 3 cyl 55-F
Cab

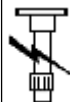


1	A	2	DISTRIBUTOR
2	! 1	4	CABLE
	➔ B32127		
2	➔ B32126	4	CABLE
3	➔ B32126	4	KNOB
3	! 1	4	KNOB
	➔ B32127		
4	! 3	4	SCREW
5		1	CLAMP
6		1	PLATE
7	➔ C23020	1	COVER
	● 3531611M2		
8		2	SCREW
9		1	SCREW
10		1	WASHER
11		6	LOCK WASHER
12	◄ 150MM	1	SCREW
13	◄ 115MM	3	SCREW
14		2	LEVER
15		2	SCREW
16		2	LOCK WASHER
17		4	UNION
18	! 17	4	O RING
19		1	HYDR HOSE
20		1	HYDR HOSE
21		4	UNION
	(X) 0.4.8.16		
22		4	PLUG
23		8	RING
24		4	ELBOW
25	! 24	4	RING
26		1	SUPPORT
27		2	SCREW
28		1	PIN

HYDRAULICS AND LINKAGE

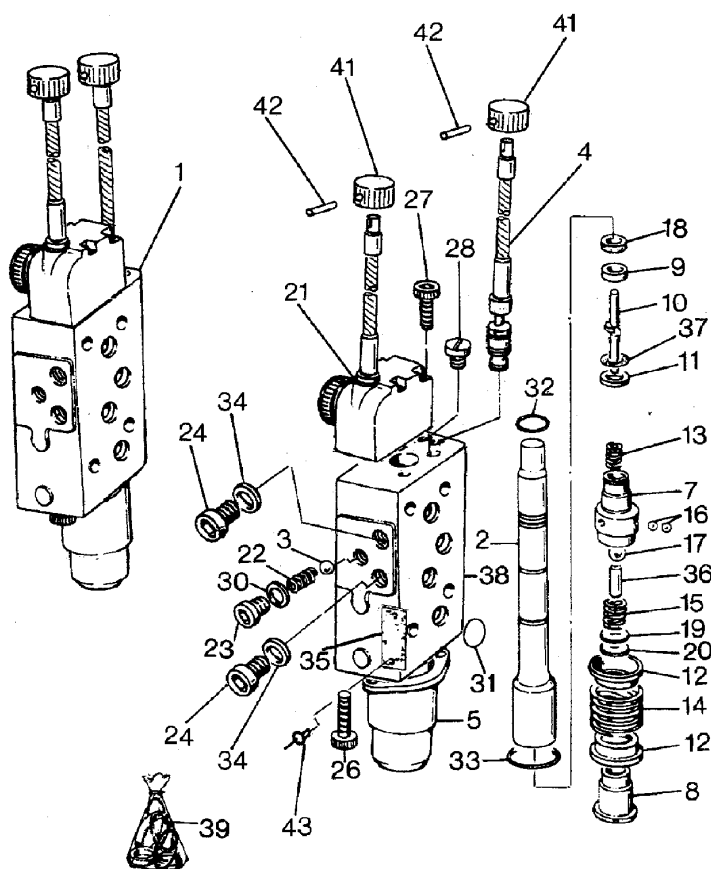
P-42
24

AUXILIARY FLOATING DISTRIBUTOR - FROM SERIAL N.B32127



P4224

Advantage 3 cyl 55-F
Cab



1	3549227M91	Y	1	DISTRIBUTOR
2		!	1	PISTON
		REF. N.1		
3	3105116M1	!	1	BALL
4	3107895M1	!	1	CABLE
		(X) 0.2.4.8		
5	3105105M1	!	1	CAP
7	3105107M1	!	1	PLUNGER
8	3105108M1	!	1	SCREW
9	3105109M1	!	1	SPACER
10	3105110M1	!	1	PLUNGER
11	390703X1	!	4	WASHER
12	3105111M1	!	2	GUIDE
13	3105112M1	!	1	SPRING
14	3105113M1	!	1	SPRING
15	3105114M1	!	1	SPRING
16	1442737X1	!	6	BALL
17	3105115M1	!	1	BALL
18	3105117M1	!	1	RING
		B		
19	3105118M1	!	2	WASHER
20	3105119M1	!	1	WASHER
21	3107896M1	!	1	HEAD
22	3105121M1	!	1	SPRING
23	1444264X1	!	1	SCREW
24	391149X1	!	2	PLUG
26	3004700X1	!	2	SCREW
27	1441967X1	!	3	SCREW
28	3105123M1	!	1	SCREW
30	3105176M1	!	1	RING
		B		
31	359247X1	!	4	RING
		B		
32	3105125M1	!	1	RING
		B		

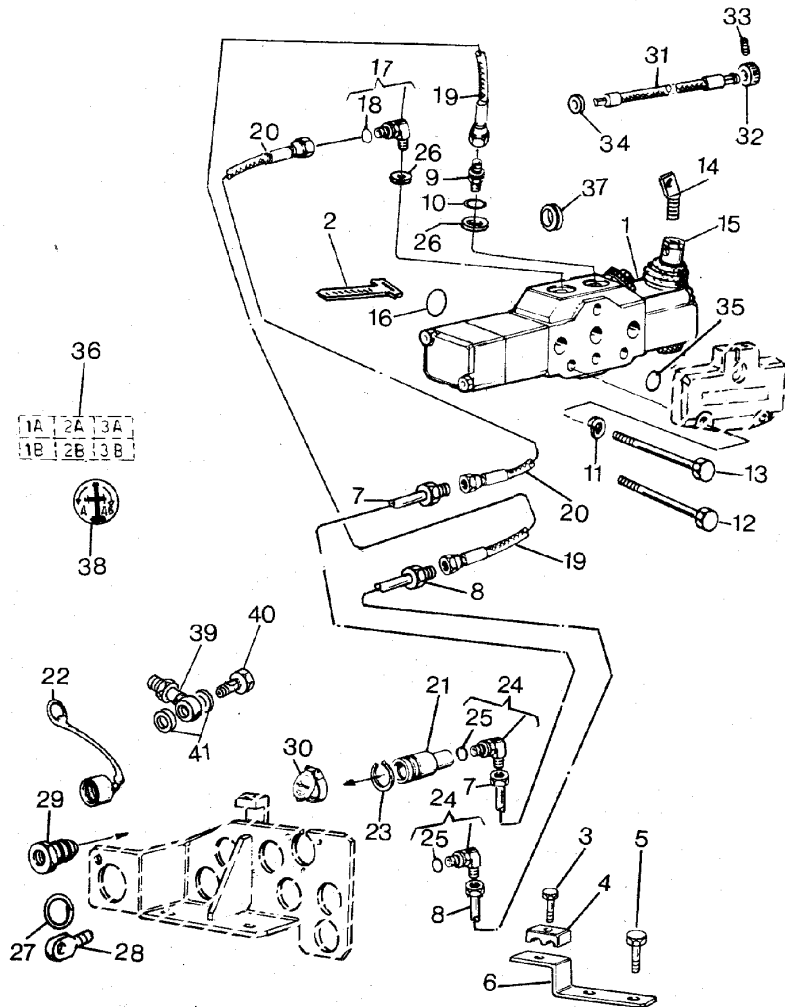
HYDRAULICS AND LINKAGE

P-42
27

AUXILIARY HYDRAULIC VALVE LINES - HIDROIRMA - THIRD DISTRIBUTOR

Advantage 3 cyl 55-F
Cab

P4227

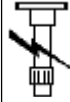


1		A B B	3	DISTRIBUTOR
2	3547986M1		1	CLAMP
3	391979X1	B	1	SCREW
4	3542558M1	B	1	STIRRUP
5	3015178X1	B	2	SCREW
6	3549517M91	B	1	SUPPORT
7	3549116M91	B	1	PIPE
8	3549115M91	B	1	PIPE
9	1426284M1		3	UNION
10	3554594M1		3	WASHER
11	339585X1		3	WASHER
12	3015142X1	◄ 195MM	1	SCREW
13	3015141X1	◄ 155MM	2	SCREW
14	3545533M1		3	LEVER
15	339402X1		3	NUT
16	1441514X1	! 1	3	O RING
17	1424959M94		2	UNION
18	3019914X1	! 17	1	O RING
19	3531885M91	D	1	HYDR HOSE
20	3530675M92	D	1	HYDR HOSE
21	3546441M91		6	UNION
22	3304008M1	(X) 0.4.8.16	6	PLUG
23	3015132X1		12	RING
24	1424962M92	B	4	ELBOW
24	1424962M92	D	5	ELBOW
25	831497M1	! 24 D	5	RING
25	831497M1	! 24 B	4	RING
26	1425358M2		1	WASHER
27	1426252M1		1	RING

HYDRAULICS AND LINKAGE

P-42
36

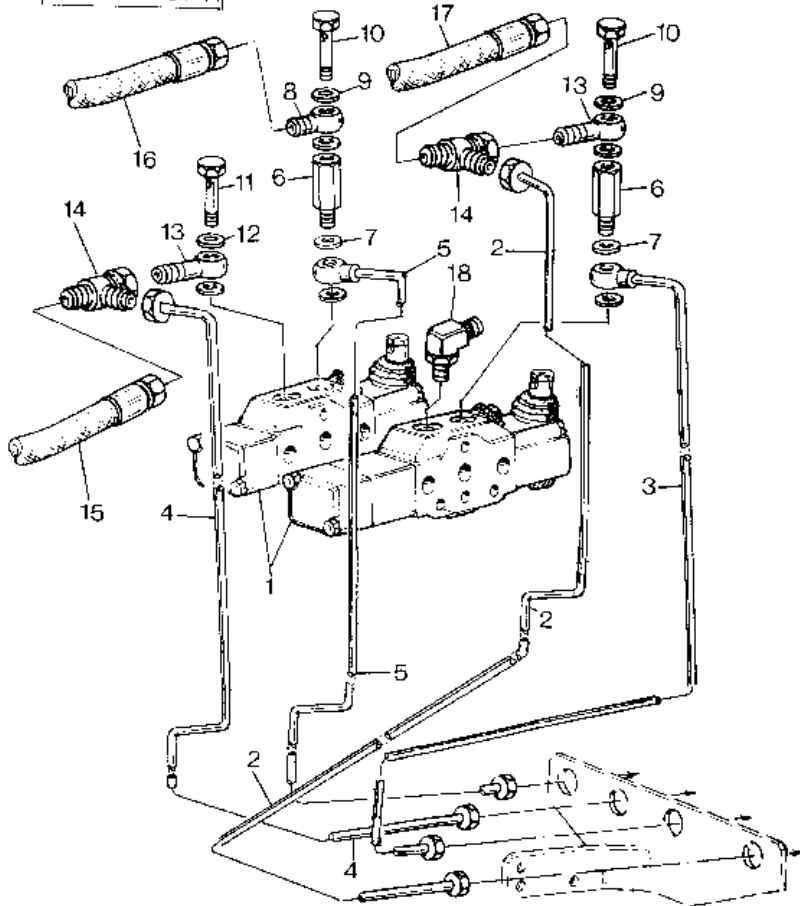
... - HIDROIRMA TYPE.



P4236

Advantage 3 cyl 55-F
Cab

4-AP63-001-A



1	◇ P-42 36 1	1	DISTRIBUTOR
	◇ P-42 38 1		
2	3549114M91 B	1	PIPE
3	3549113M91 B	1	PIPE
4	3549112M91 A	1	PIPE
5	3549111M91 A	1	PIPE
6	3549163M1 B	2	UNION
6	3549163M1 A	1	UNION
7	3554594M1 A	2	WASHER
7	3554594M1 B	4	WASHER
8	3549161M1 A	1	UNION
9	3554594M1 A	2	WASHER
9	3554594M1 B	4	WASHER
10	394202X1 ● 3553651M1 (1) A	1	UNION
10	394202X1 ● 3553651M1 (2) B	2	UNION
11	394202X1 ● 3553651M1 (1) A	1	UNION
12	3554594M1 A	2	WASHER
13	3549162M1 A	1	RING
13	3549162M1 B	2	RING
14	364735X1 B	2	UNION
14	364735X1 A	1	UNION
15	◇ P-42 28 20 A	1	HYDR HOSE
16	◇ P-42 28 19 A	1	HYDR HOSE
17	◇ P-42 28 42 B	1	PIPE
18	◇ P-42 28 17 B	1	UNION
◇	SEE PAGE - REFERENCE NUMBER		
A	WITH 1 AUXILIARY HYDRAULIC VALVE CLEARANCE		
B	WITH 2 AUXILIARY HYDRAULIC VALVE CLEARANCE		

LIGHTING EQUIPMENT

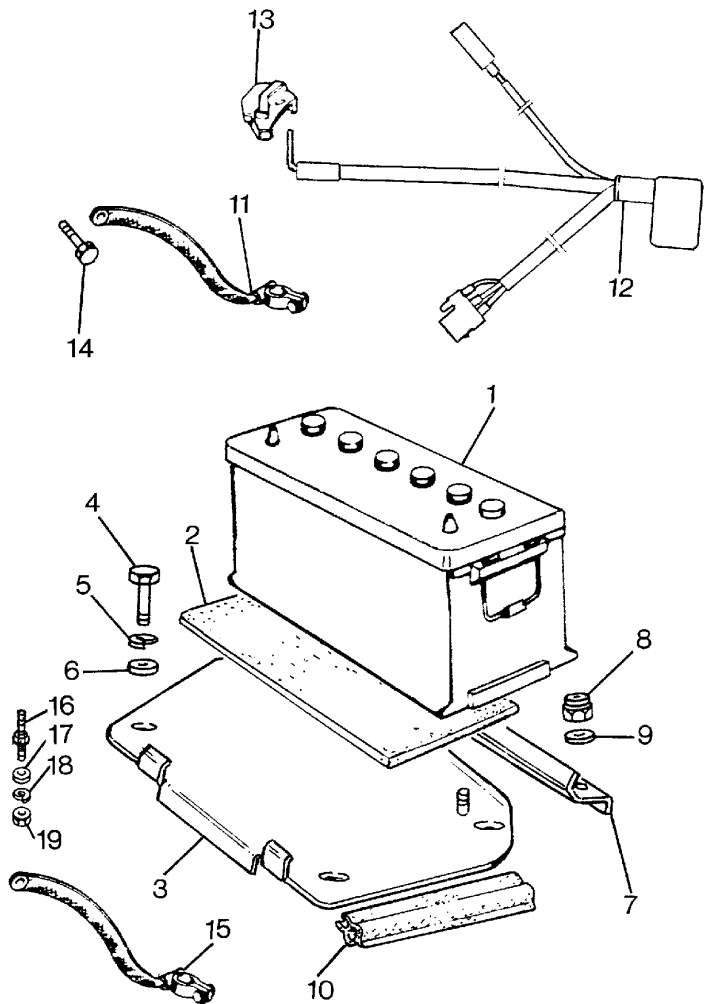
D-00
01

BATTERY AND FASTENING



D0001

Advantage 3 cyl 55-F
Cab



- | | | | | | | |
|----|------------|---|------------|-----|---|-------------|
| 1 | 3534416M91 | ● | E3653995M1 | (1) | 1 | BATTERY |
| 2 | 3547594M1 | | | | 1 | ABUTMENT |
| 3 | 3546947M93 | ● | 3651174M91 | (1) | 1 | SUPPORT |
| 4 | 339124X1 | | | | 4 | SCREW |
| 5 | 339374X1 | | | | 4 | LOCK WASHER |
| 6 | 390972X1 | | | | 4 | WASHER |
| 7 | 3546948M2 | | | | 1 | RETAINER |
| 8 | 394367X1 | | | | 2 | NUT |
| 9 | 390972X1 | | | | 2 | WASHER |
| 10 | 3547595M2 | ● | 3301319M1 | (1) | 1 | GASKET |
| 11 | 1426795M91 | | | | 1 | CABLE |
| 12 | 3539499M91 | | | | 1 | CABLE |
| 13 | 3539391M1 | | | | 1 | GUARD |
| 14 | 395579X1 | | | | 1 | SCREW |
| 15 | 3300542M93 | | | | 1 | CABLE |
| 16 | 3547529M1 | | | | 1 | STUD |
| 17 | 390972X1 | | | | 1 | WASHER |
| 18 | 339374X1 | | | | 1 | LOCK WASHER |
| 19 | 339169X1 | ● | 394367X1 | (1) | 1 | NUT |

LIGHTING EQUIPMENT

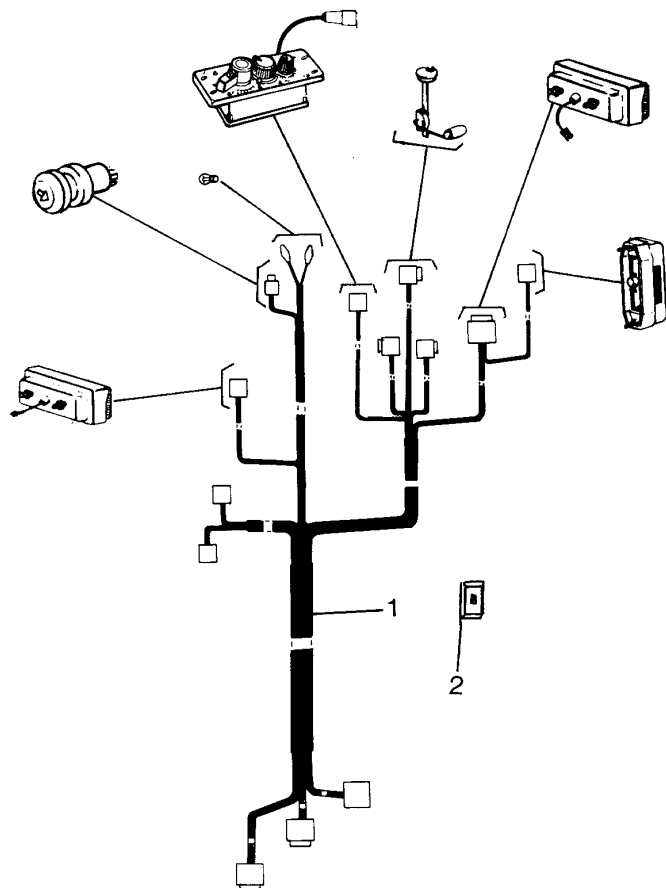
D-00
07

LIGHTING EQUIPMENT - REAR

Advantage 3 cyl 55-F
Cab



D0007



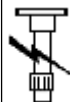
- 1 3549166M91
- 2 3548091M1

- 1 HARNESS
- 4 SUPPORT

REAR AXLE AND REAR BRAKES

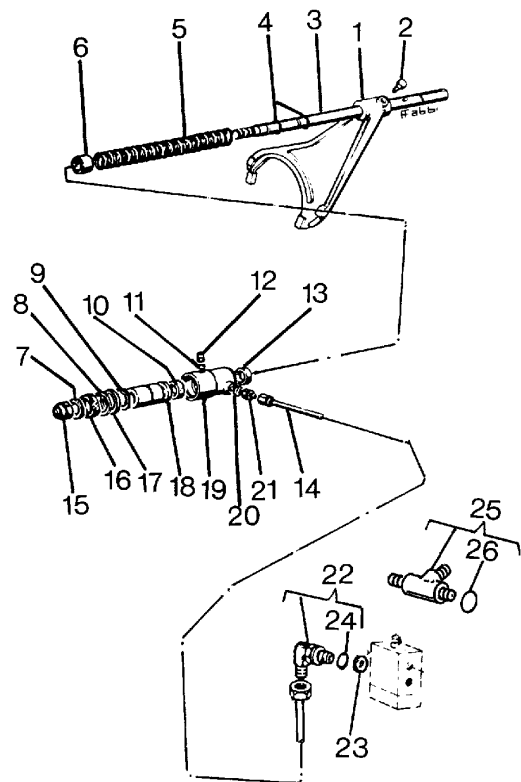
G-40
04

DIFFERENTIAL LOCK CONTROLS - HYDRAULIC



G4004

Advantage 3 cyl 55-F
Cab



1	3303305M3		1	YOKE
2	1425277M1		1	SCREW
3	3546588M2		1	ROD
4	3019914X1		2	O RING
5	3546589M1		1	SPRING
6	3302502M1		1	SPACER
7	1440277X1		1	WASHER
8	3015009X1		1	RING
9	390948X1	(X) 0.2.4.8	1	RING
		● 3015132X1 (1)		
		(X) 0.2.4.8		
10	3015008X1		1	RING
11	1442416X1		1	GASKET
12	392890X1		1	SCREW
13	392887X1		1	RING
14	3549778M91		1	PIPE
15	1442739X1		1	NUT
16	3015007X1		1	RING
17	3534002M1	(X) 0.2.4.8	1	SPACER
18	3534001M1	(X) 0.2.4.8	1	PISTON
		● 3534001M4 (1)		
		(X) 0.2.4.8		
19	3533995M1	(X) 0.2.4.8	1	CYLINDER
		● 3533995M2 (1)		
		(X) 0.2.4.8		
20	1440993X1	(X) 0.2.4.8	1	GASKET
21	1426274M1	● 1444744X1 (1)	1	UNION
22	3306705M92	A	1	UNION
23	3548877M1		1	WASHER
24	3015160X1	! 22	1	O RING
		(X) 0.2.4.8		

REAR AXLE AND REAR BRAKES

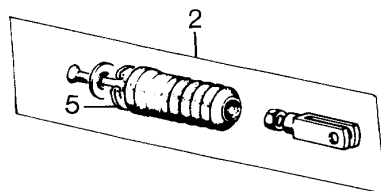
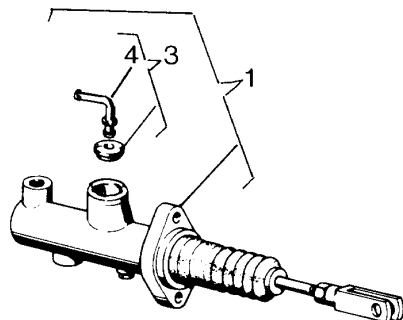
G-40
09

MASTER CYLINDER - BRAKE PUMP

Advantage 3 cyl 55-F
Cab



G4009



- | | | | | |
|---|------------|----------------|---|-------|
| 1 | 3537810M91 | | 2 | PUMP |
| 2 | 3540223M91 | ! 1 | 1 | KIT |
| | | (X) 0.1.2.4 | | |
| 3 | 3540224M91 | ! 1 | 1 | KIT |
| | | (X) 0.1.2.4 | | |
| 4 | | ! 3 | 1 | UNION |
| | | ➡ REF.N.3 | | |
| 5 | 1441597X1 | ● 339361X1 (1) | 1 | RING |
| | | ! 2 | | |

! THIS IS A COMPONENT OF AN ASSEMBLY

➡ NOT SERVICED, ORDER

QTY PER TRACTORS SOLD (AA.BBB.CCC.DDD) (AA) FOR
1,(BBB) 2-10 (CCC) 11-25 (DDD) 26-50

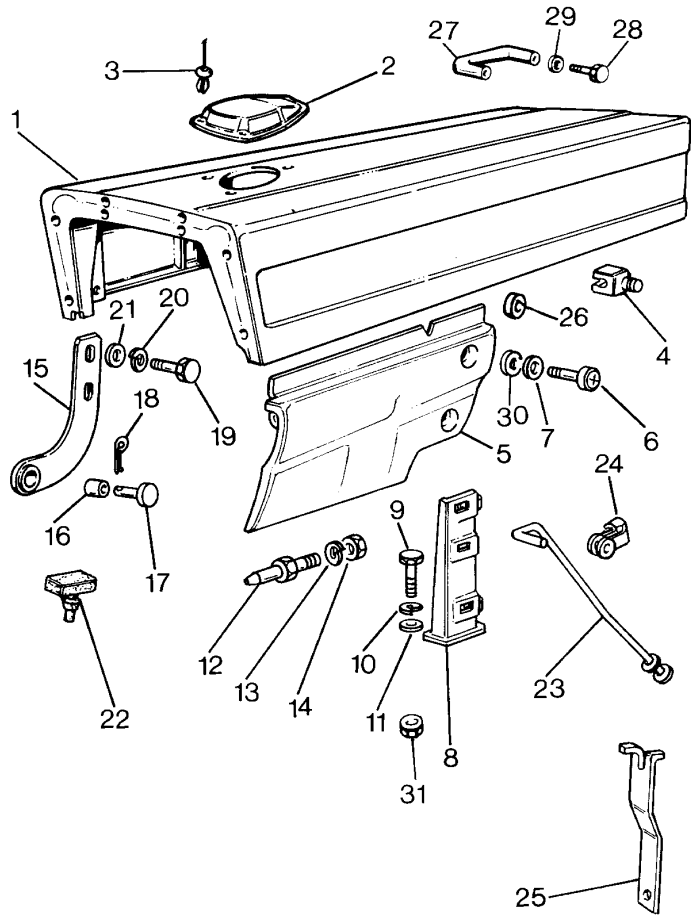
SHEET METAL

R-20
03

SHEET METAL - HOOD

Advantage 3 cyl 55-F
Cab

R2003

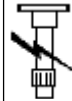


- | | | | | |
|----|------------|-------------|---|-------------|
| 19 | 339123X1 | | 4 | SCREW |
| 20 | 339374X1 | | 4 | LOCK WASHER |
| 21 | 391039X1 | | 4 | WASHER |
| 22 | 3547689M1 | | 2 | PAD |
| 23 | 3530963M91 | | 1 | ROD |
| 24 | 37332415 | | 1 | CLIP |
| 25 | 3538698M3 | | 1 | STIRRUP |
| 26 | 3550096M1 | ● 3549386M1 | 1 | SPACER |
| 27 | 3549560M91 | ▶▶ | 2 | HANDLE |
| 28 | 339124X1 | ▶▶▶ | 4 | SCREW |
| 29 | 390972X1 | ▶▶▶ | 4 | WASHER |
| 30 | 3550096M1 | | 1 | SPACER |
| 31 | 3538498M91 | | 2 | NUT |
- ▶ FROM SERIAL OR ENGINE NUMBER
▶ UP TO SERIAL OR ENGINE NUMBER
● REPAIRS AND REPLACES
▶ LEFT HAND
▶ RIGHT HAND

SHEET METAL

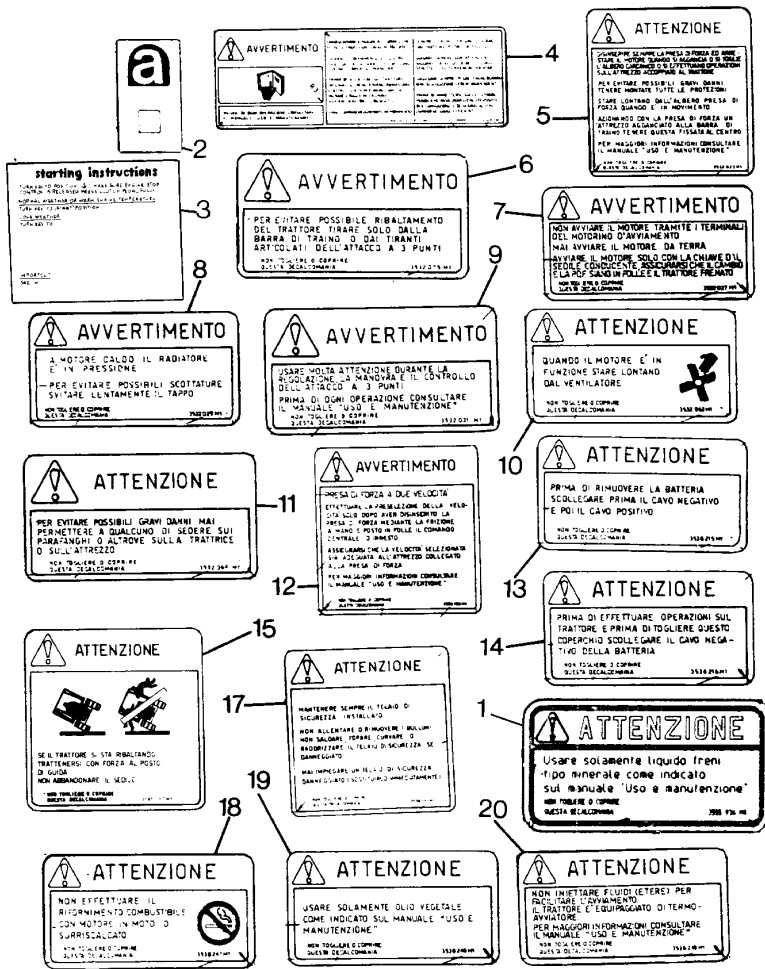
R-20
09

DECALS



R2009

Advantage 3 cyl 55-F
Cab

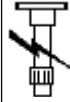


11	3532064M1	●	3559552M95 (1)	1	DECAL
		⓪			
11	3532065M1	Ⓞ		1	DECAL
		Ⓢ			
		C			
11	3536832M1	Ⓞ		1	DECAL
		H			
11	3537755M1	I		1	DECAL
12	3536193M1	⓪		1	DECAL
12	3536802M1	Ⓞ		1	DECAL
		Ⓢ			
		C			
12	3536820M1	Ⓞ		1	DECAL
		H			
12	3537756M1	I		1	DECAL
13	3536215M1	⓪		1	DECAL
13	3536806M1	Ⓞ		1	DECAL
		Ⓢ			
		C			
13	3536824M1	Ⓞ		1	DECAL
		H			
13	3537757M1	I		1	DECAL
14	3536216M1	⓪		1	DECAL
14	3536803M1	Ⓞ		1	DECAL
		Ⓢ			
		C			
14	3536830M1	Ⓞ		1	DECAL
		H			
14	3537758M1	I		1	DECAL
15	3536227M1	⓪		1	DECAL
15	3536810M1	Ⓞ		1	DECAL
		Ⓢ			
		C			
15	3536825M1	●	3559552M95 (1)	1	DECAL
		Ⓞ			
		H			

TRANSMISSION

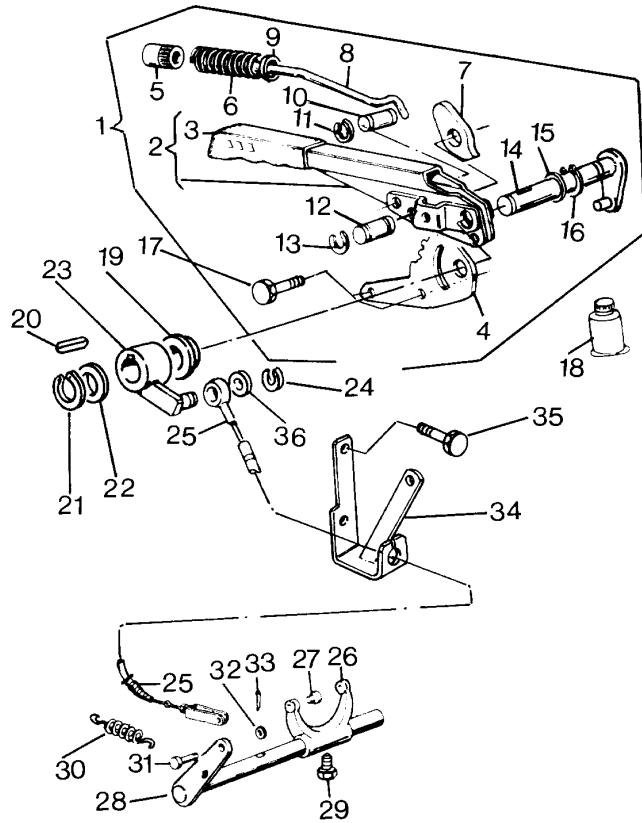
E-04
04

LOWER CLUTCH P.T.O.



E0404

Advantage 3 cyl 55-F
Cab



1	3546411M91		1	LEVER
2	3546656M91	!	1	LEVER
3	3533347M1	!	2	GRIP
4	3546412M1	!	1	SECTOR
5	1424868M1	!	1	BUTTON
6	1424859M1	!	1	SPRING
7	3536962M1	!	1	SPIKE
8	3546657M1	!	1	STRUT
9	3547541M1	!	1	BUSH
		(X) 0.1.2.4		
10	3536963M1	!	1	PIN
11	1440988X1	!	2	RING
12	3536964M1	!	1	PIN
13	3000261X1	!	2	SPRING
14	3546440M91	!	1	PIN
15	1693980M1	!	1	WASHER
16	339356X1	!	1	RING
17	3009493X1	M10X30	1	SCREW
17	339299X1	M12X30	1	SCREW
18	1427801M1	● 1427801M2 (999)	999	LOCTITE
19	3546665M1		2	BUSH
20	3019129X1		1	TONGUE
21	339356X1		1	RING
22	1693980M1		1	WASHER
23	3546663M91		1	LEVER
24	3308154M1		1	RETAINER
25	3546496M91		1	CABLE
26	3534199M2	● 3534199M3 (1) D	1	YOKE
27	973144M1		2	PIN
28	3546682M91		1	SHAFT
29	393361X1		1	SCREW
30	3547066M1		1	SPRING

(X) 0.1.2.4

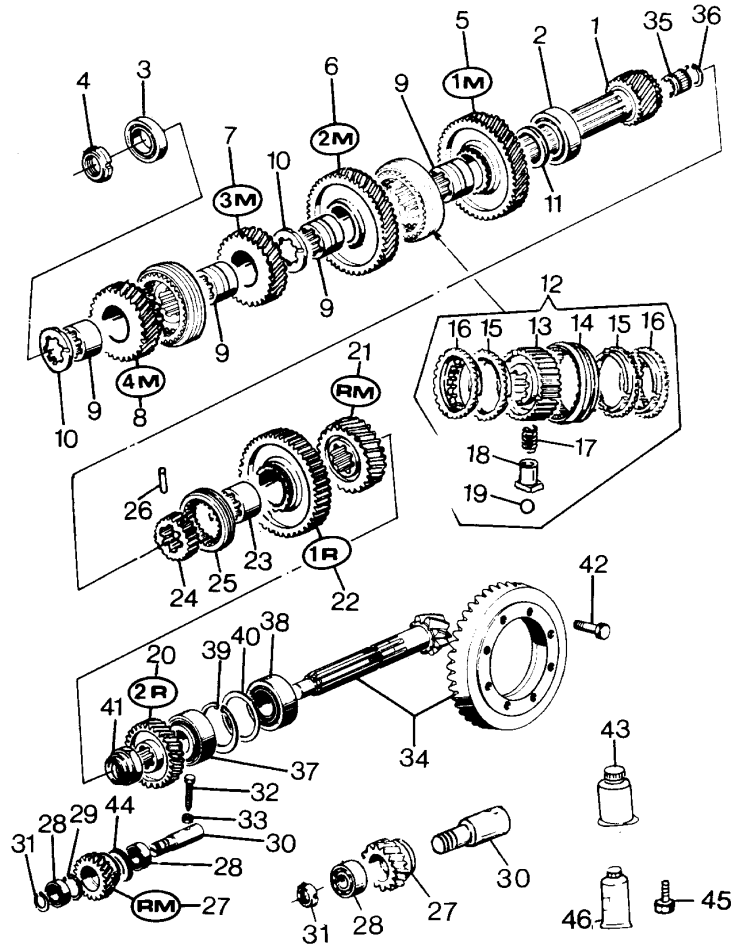
TRANSMISSION

E-04
08

TRANSMISSION - COUNTERSHAFT

Advantage 3 cyl
Cab 55-F

E0408



- ! THIS IS A COMPONENT OF AN ASSEMBLY
- A SHUTTLE WITHOUT
- ∆ SHIM
- B WITH REVERSOMATIC TRANSMISSION
- 4 WHEEL DRIVE
- 2 WHEEL DRIVE
- NUMBER OF TEETH/SPLINES

QTY PER TRACTORS SOLD (AA.BBB.CCC.DDD) (AA) FOR
1,(BBB) 2-10 (CCC) 11-25 (DDD) 26-50

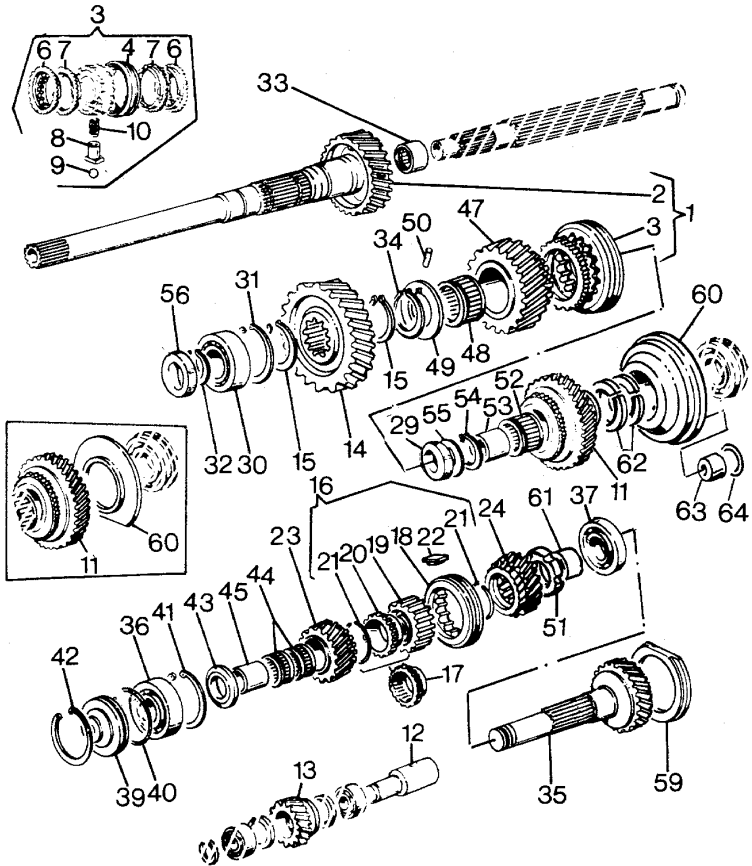
TRANSMISSION

E-04
14

REDUCER OPTION - GEARBOX - OVERDRIVE AND SHUTTLE VERSION

Advantage 3 cyl 55-F
Cab

E0414



1	3538467M92	●	3533888M1 (1)	1	SHAFT
		→	3538468M92 (1)		
			C23019		
			GRAZIANO		
1	3549748M91	●	3533888M1 (1)	1	SHAFT
		→	3538468M92 (1)		
			C23019		
			CATTINI		
1	3550785M91	●	3550786M91 (1)	1	SHAFT
		→	C23020		
			GRAZIANO		
1	3550786M91	→	C23020	1	SHAFT
			CATTINI		
2	3533888M1	!	1	1	SHAFT
		→	C23019		
			27		
2	3550787M1	!	1	1	SHAFT
		→	C23020		
3	3538468M92	!	1	1	SYNCHRO GEAR
4	3538584M1	●	3538468M92 (1)	1	SLEEVE
		!	3		
			GRAZIANO		
4	3549750M1	!	3	1	SLEEVE
			CATTINI		
6	3538531M1	!	3	2	CROWNWHEEL
			GRAZIANO		
6	3539428M1	!	3	2	CROWNWHEEL
			CATTINI		
7	3538127M1	!	3	2	RING
			GRAZIANO		
7	3549754M1	!	3	2	RING
			CATTINI		
8	3538529M1	!	3	3	SKATE
			GRAZIANO		

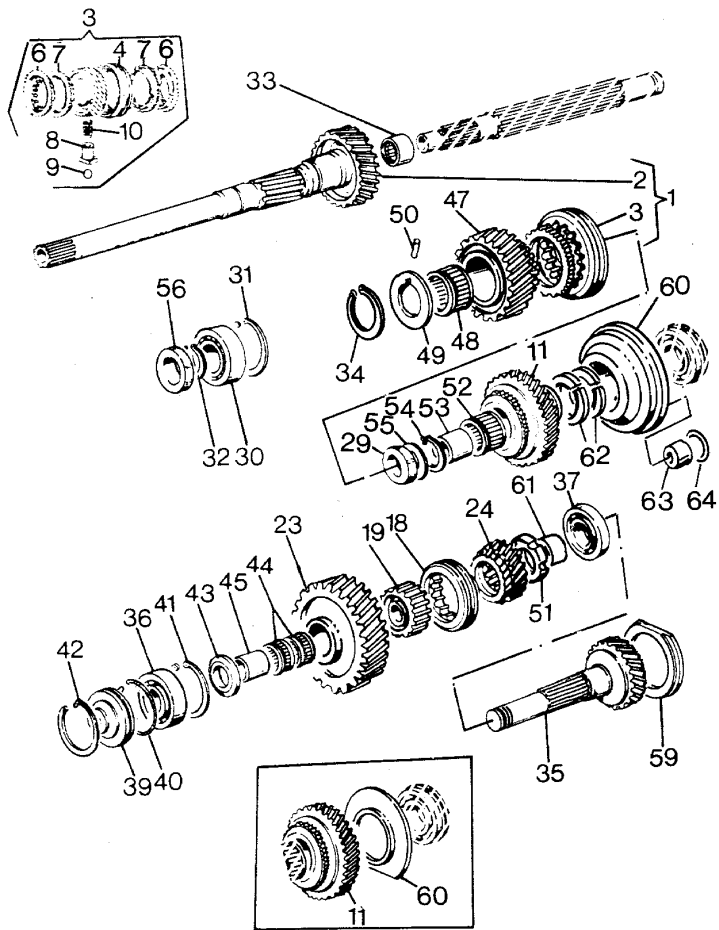
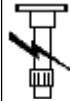
TRANSMISSION

E-04
16

REDUCER OPTION - GEARBOX - OVERDRIVE AND CREEPER VERSION

Advantage 3 cyl 55-F
Cab

E0416



40	3305049M1		1	RING
41	339437X1		1	RING
42	1443524X1		1	RING
43	3544708M1	● 3544708M2 (1)	1	SPACER
44	1440618X1		2	CAGE
		(X) 0.4.6.8		
45	3533957M1		1	RING
47	3534540M1	➔ C23019	1	GEAR
47	3550829M1	➔ C23020	1	GEAR
48	3015342X1	● 3647577M1 (1)	1	CAGE
49	3309354M1		1	DISC
50	3535083M1		1	PIN
51	392771X1		1	FERRULE
52	3304944M1		1	BEARING
53	3305062M2	➔ C23019	1	BUSH
53	3548467M1	➔ C23020	1	RING
54	3006803X1		1	RING
55	3305063M1	➔ C23019	1	SPACER
55	3548402M1	➔ C23020	1	WASHER
56	973454M1		1	SEAL
59	3309349M1		1	DISC
60	3538775M2	➔ C23019	1	FLANGE
60	3548466M1	● 3548466M3 (1) ➔ C23020	1	DISC
61	3544709M1		1	SPACER
62	3548395M1	➔ C23020	2	RING
63	3548398M1	➔ C23020	1	PIPE
64	831519M1	➔ C23020	1	O RING

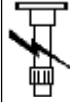
! THIS IS A COMPONENT OF AN ASSEMBLY
 ➔ FROM SERIAL OR ENGINE NUMBER
 ➔ UP TO SERIAL OR ENGINE NUMBER

QTY PER TRACTORS SOLD (AA.BBB.CCC.DDD) (AA) FOR
 1,(BBB) 2-10 (CCC) 11-25 (DDD) 26-50

TRANSMISSION

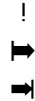
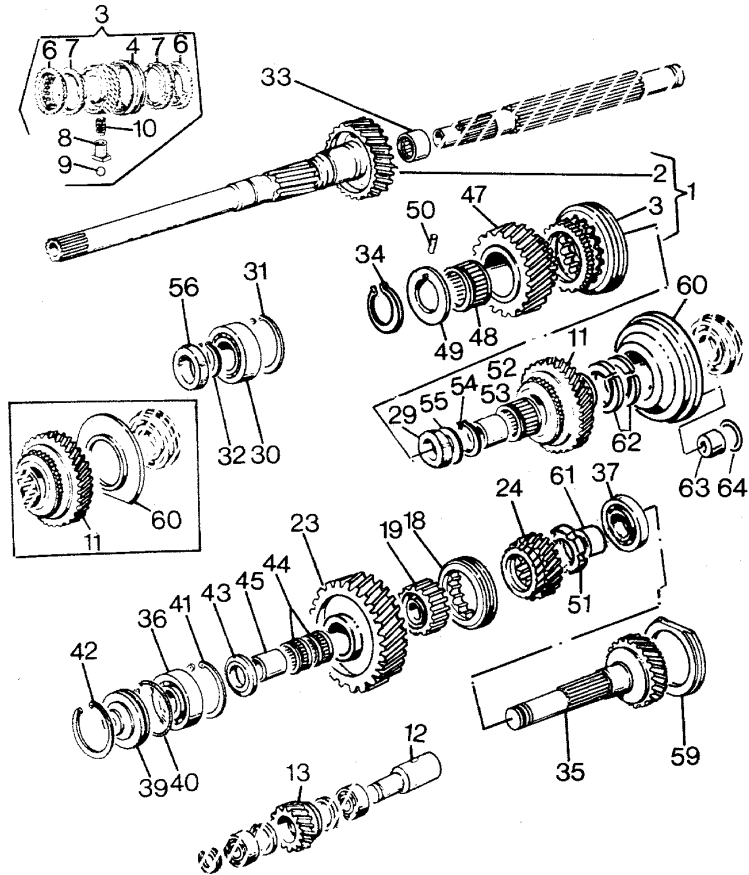
E-04
19

REDUCER OPTION - GEARBOX - SHUTTLE AND CREEPER VERSION



E0419

Advantage 3 cyl 55-F
Cab



! THIS IS A COMPONENT OF AN ASSEMBLY
FROM SERIAL OR ENGINE NUMBER
UP TO SERIAL OR ENGINE NUMBER
QTY PER TRACTORS SOLD (AA.BBB.CCC.DDD) (AA) FOR
1,(BBB) 2-10 (CCC) 11-25 (DDD) 26-50

CLICK HERE TO **DOWNLOAD** THE COMPLETE MANUAL

- Thank you very much for reading the preview of the manual.
- You can download the complete manual from: www.heydownloads.com by clicking the link below



- Please note: If there is no response to CLICKING the link, please download this PDF first and then click on it.

CLICK HERE TO **DOWNLOAD** THE COMPLETE MANUAL