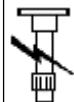
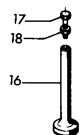
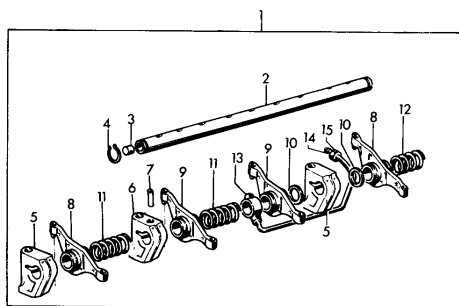


ACCESSORIES AND APPLICATION MISCELLANEOUS

30 6030



10	ASSE E' BILANCIERI ARBRE CULBUTEUR KIPPEBELWELLE EJE DE BALANCIAS ROCKER ARM	T3.152.4 T3.152.4 T3.152.4 T3.152.4
----	--	--



ROCKER ARM

1	41151306	●	4115R807 (1)	1	AXLE
2	U7LR0002	●	ZZ90047 (1)	1	SHAFT
		!	1		
3	0650507	!	2	2	PLUG
4	0170033	!	1	2	CIRCLIP
5	0101138	●	3818X121 (3)	3	SUPPORT
		!	1		
6	37521212	!	1	1	SUPPORT
7	2112A066	!	1	1	PIN
8	3737A031	●	3737A101 (3)	3	LEVER
		!	1		
9	3737A041	●	3737A091 (3)	3	LEVER
		!	1		
		▲			
10	0330505	!	1	4	SPACER
11	0780005	!	1	2	SPRING
12	0780175	!	1	1	SPRING
13	35568352	!	1	1	PIPE
14	0566002	!	13	1	OLIVE
15	0576111	!	13	1	NUT
16	0860012			6	TAPPET
17	0720677	●	32151116 (6)	6	SCREW
18	0576052			6	NUT

! THIS IS A COMPONENT OF AN ASSEMBLY
 ▲ LEFT HAND
 ▼ RIGHT HAND

CLICK HERE TO **DOWNLOAD** THE COMPLETE MANUAL

- Thank you very much for reading the preview of the manual.
- You can download the complete manual from: www.heydownloads.com by clicking the link below



- Please note: If there is no response to CLICKING the link, please download this PDF first and then click on it.

CLICK HERE TO **DOWNLOAD** THE COMPLETE MANUAL

ACCESSORIES AND APPLICATION MISCELLANEOUS

FRONT AXLE

30 6030

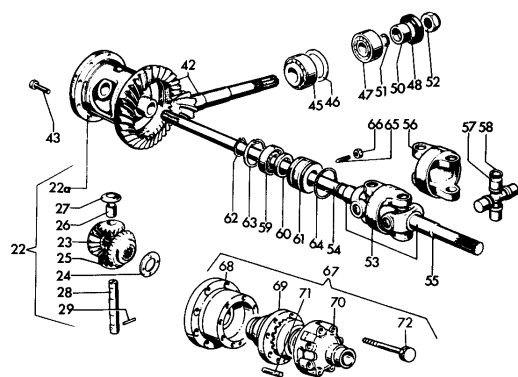
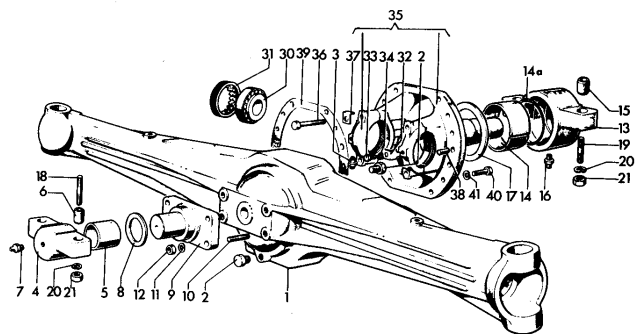


162 ASSALE TRAZIONE ANTERIORE

PONT AVANT
VORDERACHSE
EJE DELANTERO
FRONT AXLE

CORPO - DIFFERENZIALE

TROMPETTES - DIFFERENTIEL
VORDERRACHSTRICHTER-DIFFERENTIAL
CUERPO - DIFERENCIAL
HOUSING - DIFFERENTIAL



72 1442901X1 ! 67
C

8 SCREW

!

THIS IS A COMPONENT OF AN ASSEMBLY

▲

SHIM

B

USED WITHOUT AUTOMATIC DIFFERENTIAL LOCK

C

USED ONLY WITH AUTOMATIC DIFFERENTIAL LOCK

■

NUMBER OF TEETH/SPLINES

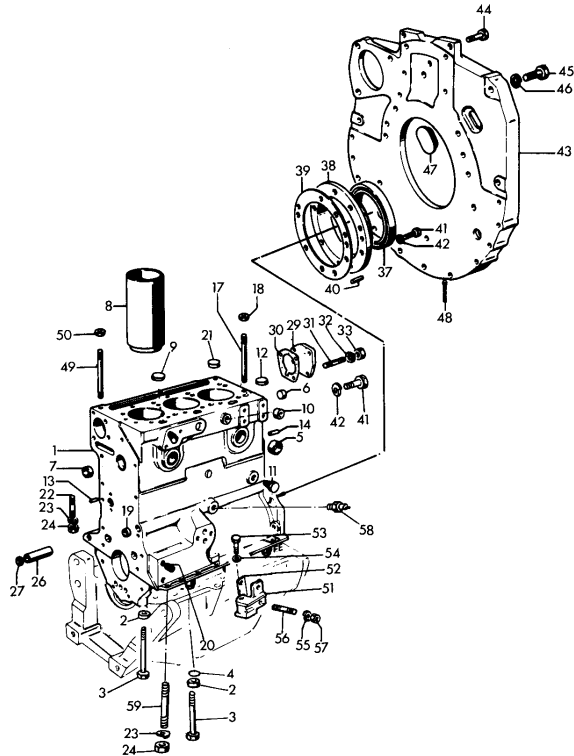
ACCESSORIES AND APPLICATION MISCELLANEOUS

30 6030



CYLINDER BLOCK

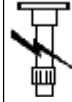
2	BLOCCO CILINDRI	T3.152.4
	BLOC MOTEUR	T3.152.4
	KURBELGEHÄUSE	T3.152.4
	BLOQUE DE CILINDROS	T3.152.4
	CYLINDER BLOCK	T3.152.4



1	41423506	● U5MB0014 (1)	1	CYLINDER B
		ZZ50272 (1)		
2	33137408	! 1	8	THIMBLE
3	32181441	! 1	6	SCREW
3	32181442	! 1	2	SCREW
4	2415608		2	O RING
5	0650563	! 1	4	PLUG
6	0650664	! 1	1	PLUG
7	0650710	! 1	1	PLUG
8	31358323	! 1	3	LINER
		A		
8	31358345	B	3	LINER
9	33141124	! 1	1	PLUG
10	32417115	! 1	2	PLUG
11	32161357	● 32161114 (1)	1	PLUG
12	33157143		2	PLUG
13	0350005		1	DOWEL
14	0350016		2	DOWEL
17	32524132		2	STUD
18	33221329		2	NUT
19	0650566		2	PLUG
20	32114471		3	PLUG
21	33157142		2	PLUG
22	0826285		1	STUD
23	0920053		3	WASHER
24	0576002	● 353916X1 (3)	3	NUT
26	33266125		1	SPACER
27	0760050	● N.L.A. (999)	999	SHIM
		▲ 0,13 MM.		
27	33121415	▲ 0,05 MM.	999	SHIM
27	33121416	▲ 0,25 MM.	999	SHIM

ACCESSORIES AND APPLICATION MISCELLANEOUS

30 6030



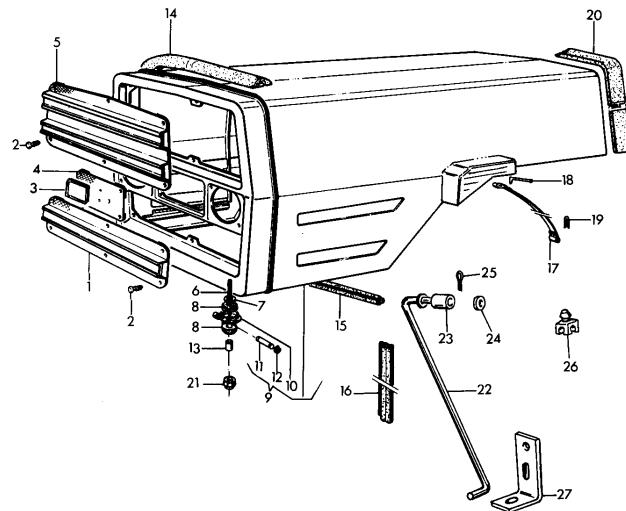
HOOD AND SCREEN

146 COFANO E GRIGLIA
CAPOT ET GRILLE
MOTORHAUBE UND GRILL
CAPO Y REJILLA
HOOD AND SCREEN



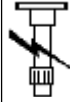
- | | | | | |
|----|-----------|-----------------|---|---------|
| 23 | 1427500M1 | | 1 | GROMMET |
| 24 | 390971X1 | | 1 | WASHER |
| 25 | 1442864X1 | | 1 | PIN |
| 26 | 1427501M1 | ● 1427501M2 (1) | 1 | CLIP |
| 27 | 3308898M1 | ● N.L.A. (1) | 1 | SUPPORT |

- ! THIS IS A COMPONENT OF AN ASSEMBLY
- ⊕ SEE PAGE - REFERENCE NUMBER
- ◀ LEFT HAND
- ▶ RIGHT HAND

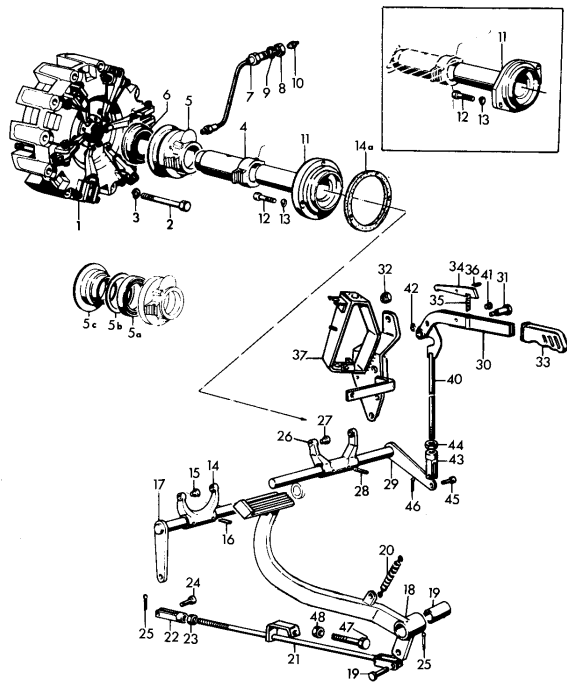


ACCESSORIES AND APPLICATION MISCELLANEOUS

30 6030



66
 COMANDO FRIZIONE
 COMMANDE D'EMBRAYAGE
 KUPPLUNG BETÄTIGUNG
 MANDO DEL EMBRAGUE
 CLUTCH CONTROL



CLUTCH CONTROL

- | | | | |
|----|------------|----|-----------|
| 1 | 62-64 | 1 | CLUTCH |
| 2 | 339084X1 | 12 | BOLT |
| 3 | 1440313X1 | 12 | WASHER |
| 4 | 1821699M3 | 1 | CLAMP |
| 5 | 1423471M92 | 1 | CLAMP |
| 5 | 1423472M1 | 1 | DISC |
| | ! | | |
| | 5 | | |
| | ITEM 5C | | |
| 5 | 1442391X1 | 1 | CHOCK |
| | ! | | |
| | 5 | | |
| | ITEM 5A | | |
| 5 | 1821722M1 | 1 | SEAL |
| | ! | | |
| | 5 | | |
| | ITEM 5B | | |
| 6 | 1423473M91 | 1 | BEARING |
| | ! | | |
| | 4 | | |
| 7 | 1824745M91 | 1 | HOSE |
| 8 | 339617X1 | 1 | NUT BSF |
| 9 | 1440317X1 | 1 | WASHER |
| 10 | 339608X1 | 1 | GREASER |
| 11 | 1425352M1 | 1 | BEARER |
| 11 | 3305040M1 | 1 | SHAFT |
| | ! | | |
| | 5 | | |
| | C | | |
| 12 | 339761X1 | 3 | SCREW |
| | ! | | |
| | C | | |
| 12 | 339814X1 | 2 | SCREW |
| 13 | 1440314X1 | 2 | WASHER |
| 13 | 1440314X1 | 3 | WASHER |
| | ! | | |
| | C | | |
| 14 | 1824623M1 | 1 | UNIVERSAL |
| | ! | | |
| | N.L.S. (1) | | |
| 14 | 3305041M1 | 1 | CLEVIS |
| | ! | | |
| | 5 | | |
| | C | | |
| | ITEM 14A | | |
| 15 | 973144M1 | 2 | PLUG |

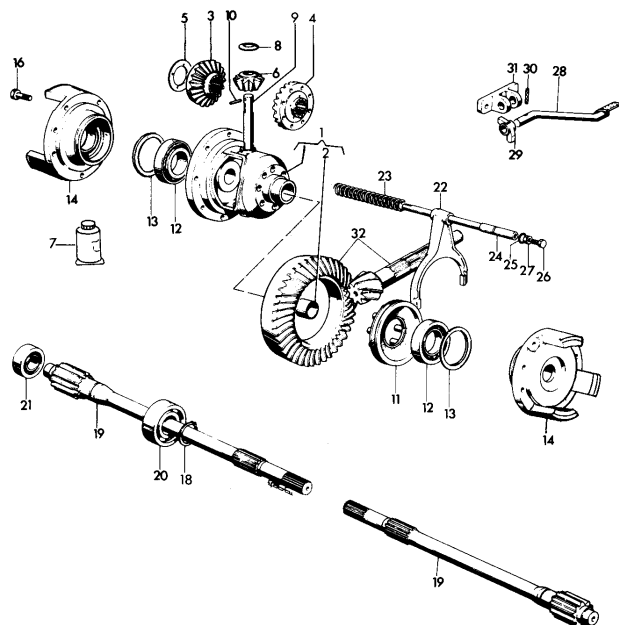
ACCESSORIES AND APPLICATION MISCELLANEOUS

30 6030



DIFFERENTIAL

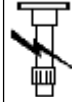
84 DIFFERENZIALE
DIFFERENTIEL
LENKACHSE
DIFFERENCIAL
DIFFERENTIAL



- | | | | | |
|----|------------------------------------|---|---------------|------------|
| 25 | 1441132X1 | ● | 3019914X1 (1) | 1 SEAL |
| 26 | 1441302X1 | | | 1 BOLT |
| 27 | 1442578X1 | ● | 1441303X1 (1) | 1 NUT |
| 28 | 1423587M91 | | | 1 TREADLE |
| 29 | 973944M1 | | | 1 ROD LINK |
| 30 | 339071X1 | | | 1 PIN |
| 31 | 973945M3 | ● | N.L.A. (1) | 1 BEARER |
| 32 | | ◊ | 70 | 1 RING |
| ! | THIS IS A COMPONENT OF AN ASSEMBLY | | | |
| ◊ | SEE PAGE - REFERENCE NUMBER | | | |
| ▲ | SHIM | | | |
| ▶ | LEFT HAND | | | |
| ▶ | RIGHT HAND | | | |
| ■ | NUMBER OF TEETH/SPLINES | | | |

ACCESSORIES AND APPLICATION MISCELLANEOUS

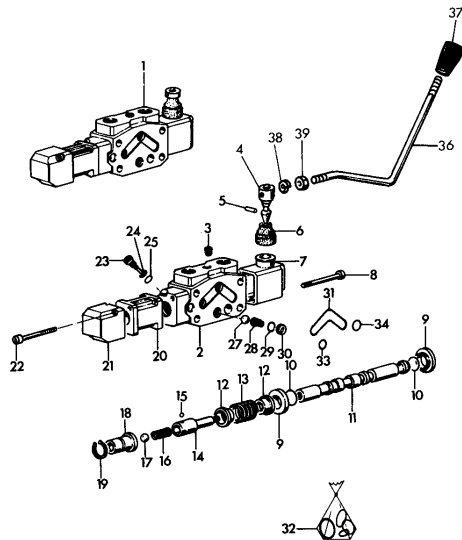
30 6030



AUXILIARY DISTRIBUTOR

132 DISTRIBUTORE SUPPLEMENTARE
 DISTRIBUTEUR HYDRAULIQUE AUXILIAIRE
 HYDRO BLOCKWEVENTIL
 DISTRIBUIDOR HIDRAULICO AUXILIAR
 AUXILIARY CONTROL VALVE

FLOATING



19	391049X1	!	1		1 CLIP
20	3310519M1	●	N.L.A. (1)	!	1 SPACER
			1		
21	3310505M1	●	N.L.A. (1)	!	1 COVER
			1		
22	3310514M1	!	1		2 SCREW
23	3310508M1	●	N.L.A. (1)	!	1 SCREW
			1		
24	3310517M1	●	N.L.A. (1)	!	1 O RING
			1		
			A		
25	3310523M1	●	359228X1 (1)	!	1 O RING
			1		
			A		
27	360546X1	●	N.L.A. (1)	!	1 BALL
			1		
28	3310511M1	●	N.L.A. (1)	!	1 SPRING
			1		
29	3310524M1	●	1441635X1 (1)	!	1 O RING
			1		
			A		
30	3310502M1	●	N.L.A. (1)	!	1 PLUG
			1		
31	3310693M1	●	3311655M91 (1)	!	1 GASKET
			1		
			A		
32	3310518M91	●	3308940M1 (999)	!	999 KIT
			3310878M92 (999)	!	
			1		
33	1441121X1	●	762191M1 (1)		1 O RING
34	1441126X1				1 SEAL
36	3309005M1				1 LEVER
37	3304484M1				1 KNOB

CLICK HERE TO **DOWNLOAD** THE COMPLETE MANUAL

- Thank you very much for reading the preview of the manual.
- You can download the complete manual from: www.heydownloads.com by clicking the link below

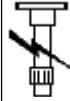


- Please note: If there is no response to CLICKING the link, please download this PDF first and then click on it.

CLICK HERE TO **DOWNLOAD** THE COMPLETE MANUAL

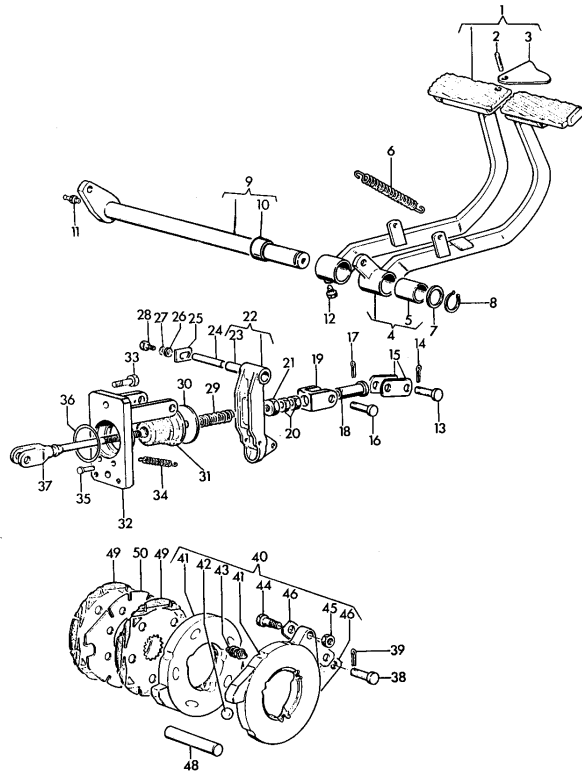
ACCESSORIES AND APPLICATION MISCELLANEOUS

30 6030



BRAKES AND CONTROLS

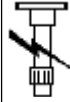
88 FRENTE E COMANDI
FREINS ET COMMANDES
BREMSEN UND BREMSING
FRENOS Y MANDOS
BRAKES AND CONTROLS



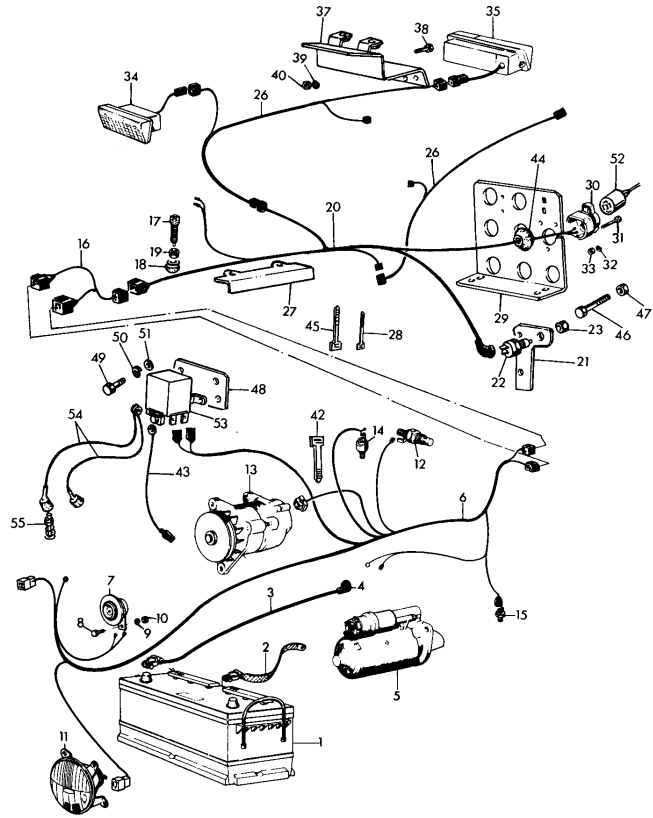
- | | | | | | |
|----|------------|---|----------------|---|------------|
| 1 | 3304876M91 | ◀ | | 1 | PEDAL |
| 2 | 3019306X1 | ● | 1441741X1 (1) | 1 | CLEVIS PIN |
| | | ! | 1 | | |
| 3 | 1425818M1 | ! | 1 | 1 | CATCH |
| 4 | 3304885M91 | ▶ | | 1 | PEDAL |
| 5 | 1423482M1 | ! | 4 | 1 | BUSH |
| 6 | 981843M2 | ● | 981843M3 (2) | 2 | SPRING |
| 7 | 1423609M1 | | | 1 | WASHER |
| 8 | 392758X1 | | | 1 | RING |
| 9 | 3304907M91 | | | 1 | SHAFT |
| 10 | 3305000M1 | ● | N.L.A. (1) | 1 | GATE |
| | | ! | 9 | | |
| 11 | 391335X1 | | | 2 | GREASER |
| 12 | 393588X1 | | | 1 | SCREW |
| 13 | 395519X1 | | | 2 | CLEVIS PIN |
| 14 | 1442962M1 | | | 2 | PIN |
| 15 | 3304730M1 | | | 4 | PLATE |
| 16 | 3304892M1 | | | 2 | CLEVIS PIN |
| 17 | 1442962X1 | | | 2 | PIN |
| 18 | 3304731M1 | | | 2 | NUT |
| 19 | 3304732M1 | | | 2 | FORK |
| 20 | 1441158X1 | | | 4 | NUT BSF |
| 21 | 3304807M1 | | | 2 | SHIM |
| 22 | 3304805M91 | ● | 3304805M92 (2) | 2 | LEVER |
| 23 | 1427369M1 | ! | 22 | 4 | BUSH |
| 24 | 3300073M1 | | | 2 | CLEVIS PIN |
| 25 | 3300126M1 | | | 2 | PLATE |
| 26 | 390972X1 | | | 2 | WASHER |
| 27 | 339585X1 | | | 2 | WASHER |
| 28 | 390379X1 | | | 2 | BOLT |
| 29 | 3302489M1 | | | 2 | SPRING |
| 30 | 3304657M1 | | | 2 | DISC |

ACCESSORIES AND APPLICATION MISCELLANEOUS

30 6030



54 IMPIANTO ELETTRICO
EQUIPMENT ELECTRICO
ELEKTRISCHE ANLAGE
EQUIPO ELECTRICO
ELECTRICAL EQUIPMENT

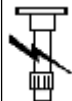


ELECTRICAL EQUIPMENT

- | | | | | |
|----|------------|------------------|---|---------------|
| 1 | | 56 | 1 | BATTERY |
| 2 | 1426795M91 | - | 1 | CABLE |
| 3 | 1423775M91 | ● 3302556M91 (1) | 1 | CABLE |
| 4 | 1423776M1 | ● 3387113M1 (1) | 1 | COVER |
| 5 | | ! 33 | 1 | STARTERMOTO R |
| 6 | 3309097M91 | | 1 | HARNESS |
| 7 | 1424311M91 | ● 3539770M91 (1) | 1 | HORN |
| 8 | 339228X1 | | 1 | SCREW |
| 9 | 1440313X1 | ● 339374X1 (1) | 1 | WASHER |
| 10 | 392292X1 | ● 394367X1 (1) | 1 | NUT |
| 11 | | 58 | 2 | HEADLAMP |
| 12 | 2666108 | | 1 | INTAKE HEATER |
| 13 | | 35 | 1 | ALTERNATOR |
| 14 | 1825118M91 | ● 1877731M92 (1) | 1 | SENDER |
| 15 | | 60 | 1 | SWITCH |
| 16 | | 60 | 1 | WIRE |
| 17 | 1424104M91 | ● 1424104M92 (1) | 1 | SWITCH |
| 18 | 3304568M2 | | 1 | CAP |
| 19 | 339252X1 | | 1 | NUT BSF |
| 20 | 3305195M91 | | 1 | KIT |
| 21 | 3305004M1 | | 1 | HOLDER |
| 22 | 3300537M91 | | 1 | SWITCH |
| 23 | 3300558M1 | | 1 | NUT |
| 26 | 3305199M91 | ▶ | 1 | KIT |
| 26 | 3305200M91 | ◀ | 1 | KIT |
| 27 | 1425115M92 | ● 1425115M93 (1) | 1 | PROTECTOR |

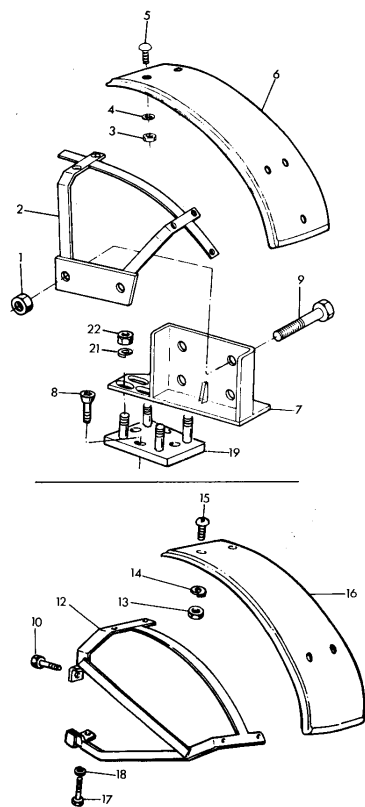
ACCESSORIES AND APPLICATION MISCELLANEOUS

30 6030



FRONT FENDERS

152 PARAFANGHI ANTERIORI
 ALLES ANTERIEURES
 VORDERRADKOTFLUEGEL
 GUARDABARROS DELANTERO
 FRONT FENDERS

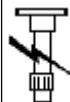


- | | | | | |
|----|------------|--|---|---------|
| 19 | 3307739M91 | | 2 | PLATE |
| 21 | 1440315X1 | | 8 | WASHER |
| 22 | 339054X1 | | 8 | NUT BSF |

- UP TO SERIAL OR ENGINE NUMBER
- 4 WHEEL DRIVE
- 2 WHEEL DRIVE
- LEFT HAND
- RIGHT HAND

ACCESSORIES AND APPLICATION MISCELLANEOUS

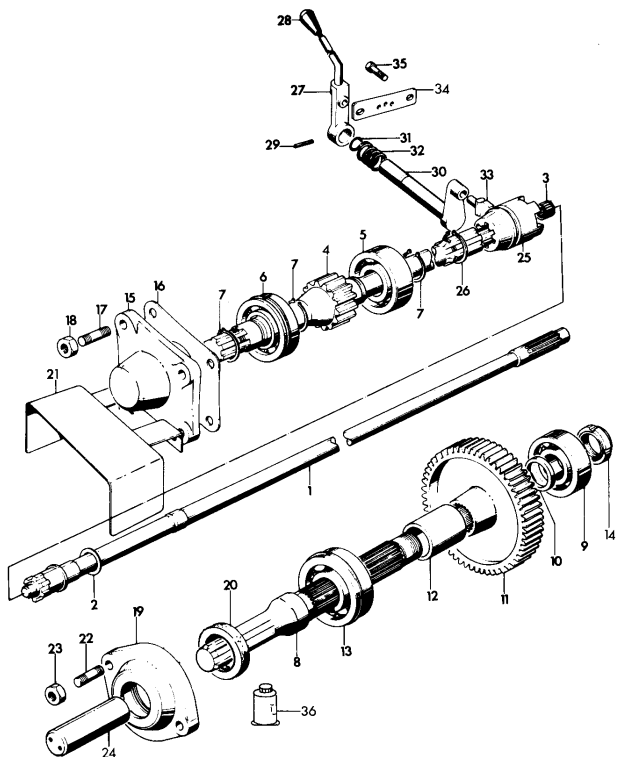
30 6030



POWER TAKE OFF

80 PRESA DI FORZA
 PRISE DE FORCE
 ZAPFWELLE
 TOMA DE FUERZA
 POWER TAKE OFF

STD

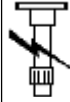


- | | | | | | |
|----|------------|---|----------------|---|--------------|
| 1 | 1425350M1 | ● | 3307884M1 (1) | 1 | SHAFT |
| 2 | 1423680M1 | | | 1 | BUSH |
| 3 | 1442537X1 | | | 1 | ROLLER |
| 4 | 1423681M2 | | | 1 | SHAFT |
| 5 | 339436X1 | | | 1 | BEARING BALL |
| 6 | 1440559X1 | | | 1 | BEARING |
| 7 | 339469X1 | | | 3 | SEGMENT |
| 8 | 1824899M1 | ● | 3543737M3 (1) | 1 | SHAFT |
| 9 | 339436X1 | | | 1 | BEARING BALL |
| 10 | 1825002M1 | | | 1 | SPACER |
| 11 | 1825001M2 | ● | 1825001M3 (1) | 1 | GEAR |
| | | ▲ | 54 | | |
| 12 | 1825000M1 | | | 1 | SPACER |
| 13 | 831789M1 | | | 1 | BEARING |
| 14 | 392771X1 | | | 1 | NUT |
| 15 | 1825005M2 | ● | 1825005M4 (1) | 1 | COVER |
| 16 | 1825006M1 | ● | 3308788M1 (1) | 1 | GASKET |
| 17 | 1440027X1 | ● | 3015155X1 (4) | 4 | STUD |
| 18 | 1440200X1 | | | 4 | NUT BSF |
| 19 | 1825003M1 | ● | 3019963X1 (1) | 1 | COVER |
| | | | 3543738M2 (1) | | |
| | | | 3543743M1 (1) | | |
| | | | 359104X1 (1) | | |
| | | | 390735X1 (2) | | |
| 20 | 3306228M1 | | | 1 | SEAL |
| 21 | 1424694M94 | ● | 3530074M91 (1) | 1 | PROTECTOR |
| 22 | 1440027X1 | ● | 3015155X1 (2) | 2 | STUD |

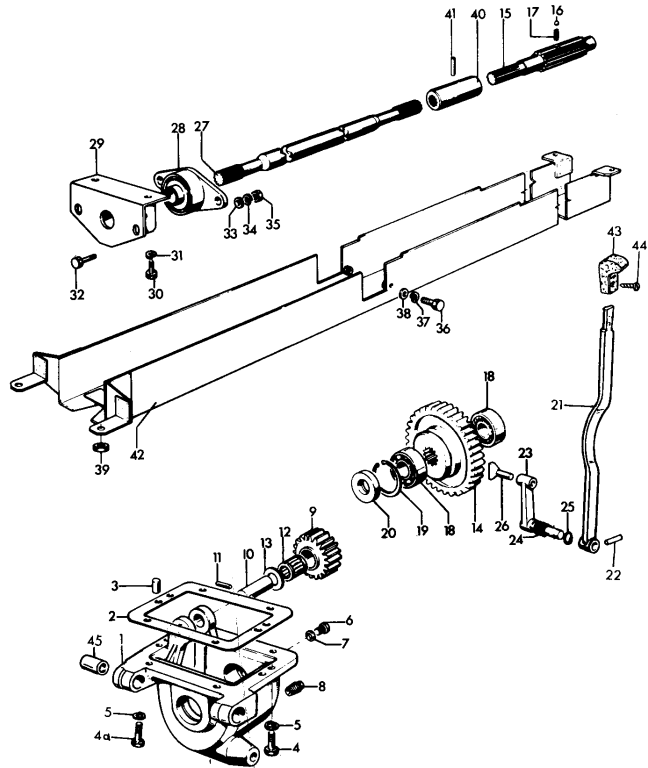
ACCESSORIES AND APPLICATION MISCELLANEOUS

TRANSFER GEAR BOX

30 6030



160	SCATOLA TRASMISSIONE BOITIER DE TRANSFERT VERTEILGETRIEBE CAJA DE TRANSMISION TRANSFER GEAR BOX	4 RUOTE MOTRICI 4 ROUES MOTRICES 4 RAD ANTRIEB 4 RUEDAS MOTRIZ 4 WHEEL DRIVE
-----	---	--



28	1427376M91	●	1440314X1 (2) 339018X1 (2) 339402X1 (2) 3547684M91 (1) 390734X1 (2)	1	BEARING
29	1427375M91	●	1440314X1 (2) 339018X1 (2) 339402X1 (2) 3547682M91 (1) 390734X1 (2)	1	SUPPORT
30	339299X1			2	SCREW
31	1440315X1			2	WASHER
32	391886X1			2	BOLT
33	390973X1			2	WASHER
34	1440316X1			2	WASHER
35	339079X1			2	NUT
36	339282X1			2	SCREW
37	1440314X1			2	WASHER
38	390734X1			2	WASHER
39	392370X1			2	NUT BSF
40	1824119M2			2	SLEEVE
41	339248X1			2	PIN
42	3300744M91	●	3300744M93 (1)	1	COWL
43	3303876M1	●	3303876M2 (1)	1	KNOB
44	3302104M1	●	3656560M1 (1)	1	SCREW
45	1423482M1			2	BUSH

NUMBER OF TEETH/SPLINES

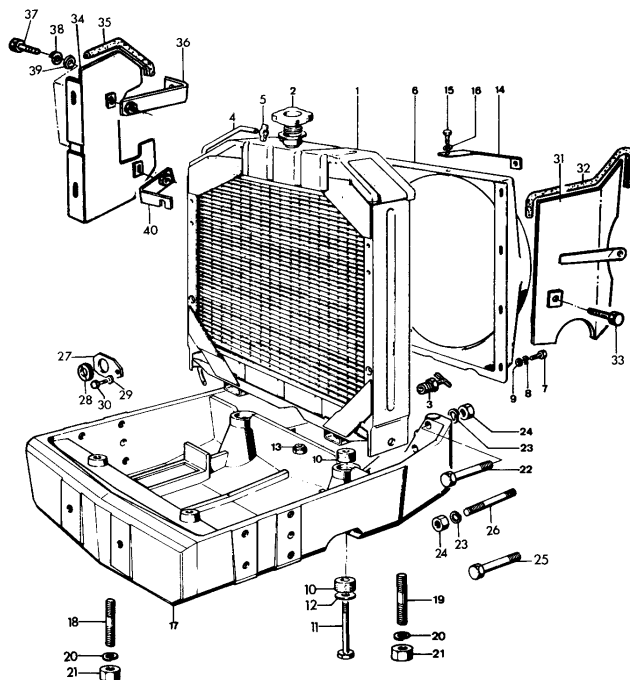
ACCESSORIES AND APPLICATION MISCELLANEOUS

30 6030



COOLING SYSTEM

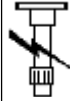
42 RADIATORE
RADIATEUR
KUEHLER
RADIADOR
COOLING SYSTEM



- | | | | | | |
|----|------------------------------------|----|-----------------------------|---|-----------|
| 26 | 979294M1 | II | | 2 | STUD |
| 27 | 3301609M1 | ● | N.L.A. (2) | 2 | PLATE |
| 28 | 1425775M2 | | | 2 | RING |
| 29 | 391130X1 | ● | 339375X1 (2) | 2 | WASHER |
| 30 | 339230X1 | | | 2 | SCREW |
| 31 | 3308920M91 | | | 1 | EAR GUARD |
| 32 | 3308924M1 | ! | 31 | 1 | SHEATH |
| 33 | 339096X1 | | | 1 | BOLT |
| 34 | 3308085M91 | ● | 3300790M1 (1)
N.L.A. (1) | 1 | GUARD |
| 35 | 3308087M1 | ● | 3300790M1 (1)
! 34 | 1 | GASKET |
| 36 | 3306069M91 | ● | N.L.A. (1) | 1 | HOLDER |
| 37 | 339560X1 | | | 2 | SCREW |
| 38 | 391130X1 | ● | 339375X1 (2) | 2 | WASHER |
| 39 | 390971X1 | | | 2 | WASHER |
| 40 | 3306456M91 | | | 1 | HOLDER |
| ! | THIS IS A COMPONENT OF AN ASSEMBLY | | | | |
| II | 4 WHEEL DRIVE | | | | |
| II | 2 WHEEL DRIVE | | | | |

ACCESSORIES AND APPLICATION MISCELLANEOUS

30 6030

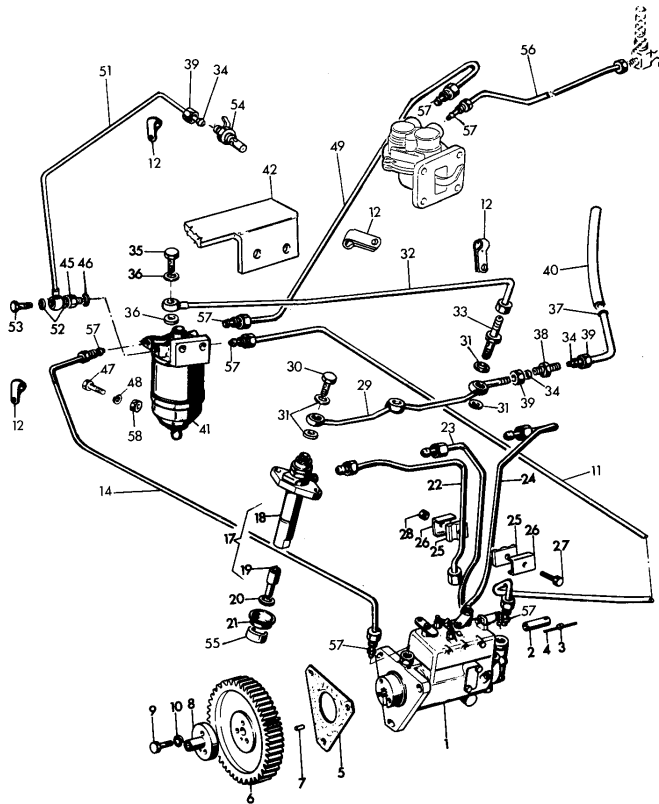


FUEL PIPINGS AND FUEL FILTER

22 TUBAZIONI COMBUSTIBILE E FILTRO GASOLIO

TUBULURES COMBUSTIBLE ET FILTRE GASOLIN
BRENNSTOFFLEITUNGEN UND KRAFTSTOFFFILTER
TUBOS DE COMBUSTIBLE Y FILTRO COMB.
FUEL PIPINGS AND FUEL FILTER

T3.152.4
T3.152.4
T3.152.4
T3.152.4
T3.152.4



- | | | | | |
|----|------------|---|---|-----------|
| 1 | 2643B117 | | 1 | INJECTION |
| 2 | 2644951 | ● | 1 | SLEEVE |
| 3 | 31718104 | | 1 | SEAL |
| 4 | 31718105 | | 1 | WIRE |
| 5 | 0490685 | ● | 1 | UNIVERSAL |
| 6 | 31164631 | ● | 1 | GEAR |
| 7 | 0350010 | | 1 | DOWEL |
| 8 | 32728103 | | 1 | SHAFT |
| 9 | 0746211 | | 3 | BOLT |
| 10 | 0920053 | | 3 | WASHER |
| 11 | 3530050M91 | ● | 1 | FUEL PIPE |
| 12 | 1825173M1 | | 3 | CLIP |
| 14 | 3530049M91 | ● | 1 | FUEL PIPE |
| 17 | 2645K005 | | 3 | ATOMISER |
| 18 | 2646467 | | 3 | HOLDER |
| 19 | 2646850 | | 3 | NOZZLE |
| 20 | 0921173 | | 3 | WASHER |
| 21 | 33813127 | | 3 | SEAL |
| 22 | 35342015 | ● | 1 | PIPE |
| 23 | 35342016 | ● | 1 | PIPE |
| 24 | 35342009 | ● | 1 | PIPE |
| 25 | 36844116 | ● | 4 | BRIDLE |
| 26 | 36511123 | ● | 4 | PLATE |
| 27 | 2182008 | | 2 | SCREW |

CLICK HERE TO **DOWNLOAD** THE COMPLETE MANUAL

- Thank you very much for reading the preview of the manual.
- You can download the complete manual from: www.heydownloads.com by clicking the link below



- Please note: If there is no response to CLICKING the link, please download this PDF first and then click on it.

CLICK HERE TO **DOWNLOAD** THE COMPLETE MANUAL