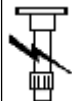
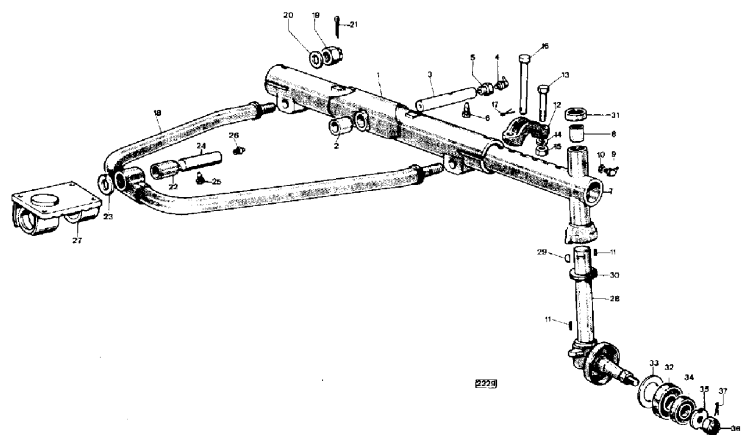


ACCESSORIES AND APPLICATION MISCELLANEOUS

Prima Serie 6000



FRONT AXLE



	975212M91	L. 32672	1	SPINDLE
1	974361M91	● N.L.A. (1) L. 35587	1	BAR
2	974362M1	L. 32567	2	BUSH
3	1434694M1		1	PIN
4	393486X1	● 339608X1 (1) L. N6468	1	GREASER
5	974364M1	● N.L.A. (1) L. 32569	1	NUT
6	393361X1	L. N4859	1	SCREW
7	975207M91	● N.L.A. (2) L. 32605	2	ARM
8	975208M91	L. 32607	4	BUSH
9	393488X1	● 1441983X1 (2) L. N6468	2	GREASER
10	375794X1	● 1444744X1 (2) L. N6262	2	WASHER
11	1440395X1	● N.L.A. (4) L. N6100	4	DOWEL
12	974368M1	● N.L.A. (4) L. 32610	4	CLAMP
13	393920X1	L. N827	4	BOLT
14	391414X1	L. N3820	4	WASHER
15	1440092X1	● 1440202X1 (4) L. N891	4	NUT
16	974369M1	L. 32611	2	CLEVIS PIN
17	391405X1	● 354066X1 (2) L. 3949	2	PIN
18	1818694M91	● N.L.A. (1)	1	STRUT
19	339480X1	● 1441566X1 (2) L. N1174	2	NUT
20	1440279X1	● N.L.A. (2) L. N3762	2	WASHER

CLICK HERE TO **DOWNLOAD** THE COMPLETE MANUAL

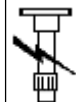
- Thank you very much for reading the preview of the manual.
- You can download the complete manual from: [www.heydownloads.com](http://www.heydownloads.com) by clicking the link below



- Please note: If there is no response to CLICKING the link, please download this PDF first and then click on it.

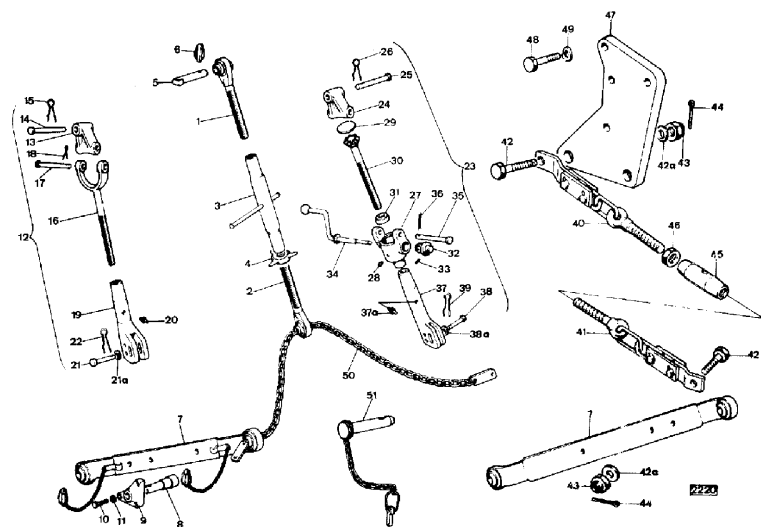
CLICK HERE TO **DOWNLOAD** THE COMPLETE MANUAL

ACCESSORIES AND APPLICATION MISCELLANEOUS



Prima Serie 6000

LINKAGE CAT 1



- |    |              |                |              |
|----|--------------|----------------|--------------|
|    | 1432664M91 ● | 1432665M91 (2) | 2 HITCH      |
|    | 1432752M92   |                | 1 CLEVIS PIN |
|    | 390739X1 ●   | 390446X1 (4)   | 4 STIRRUP    |
|    |              | L. N3926       |              |
|    | 393655X1     | L. N8212       | 4 RETAINER   |
|    | 982226M1 ●   | N.L.A. (4)     | 4 SCREW      |
|    | 982227M1 ●   | N.L.A. (2)     | 2 SCREW      |
|    | 982333M91 ●  | 982233M91 (2)  | 2 PIN        |
| 1  | 974651M91 ●  | N.L.A. (1)     | 1 SCREW      |
|    |              | L. 34311       |              |
| 2  | 974652M91 ●  | N.L.A. (1)     | 1 SCREW      |
|    |              | L. 36253       |              |
| 3  | 974653M91    | L. 34318       | 1 TENSIONER  |
| 4  | 974654M2     | L. 34317       | 1 NUT        |
| 5  | 979392M91 ●  | N.L.A. (1)     | 1 PIN        |
|    |              | L. 23292       |              |
| 6  | 974631M93 ●  | 1426056M91 (1) | 1 CLIP       |
|    |              | L. 34340       |              |
| 7  | 1432748M91 ● | N.L.A. (2)     | 2 KIT        |
| 8  | 974634M1 ●   | N.L.A. (2)     | 2 CLEVIS PIN |
|    |              | L. 36268       |              |
| 9  | 1432115M1 ●  | N.L.A. (2)     | 2 SUPPORT    |
| 10 | 391375X1     | L. N811        | 6 SCREW      |
| 11 | 1440315X1    | L. N3818       | 6 WASHER     |
| 12 | 974787M92 ●  | 1819704M1 (1)  | 1 KIT        |
|    |              | 390974X1 (1)   |              |
|    |              | 391423X1 (1)   |              |
|    |              | 393926X1 (2)   |              |
|    |              | 974303M1 (1)   |              |
|    |              | 974642M1 (1)   |              |
|    |              | 974775M1 (1)   |              |
|    |              | 974776M1 (1)   |              |
|    |              | 974778M1 (1)   |              |
|    |              | N.L.A. (1)     |              |
|    |              | L. 34390       |              |

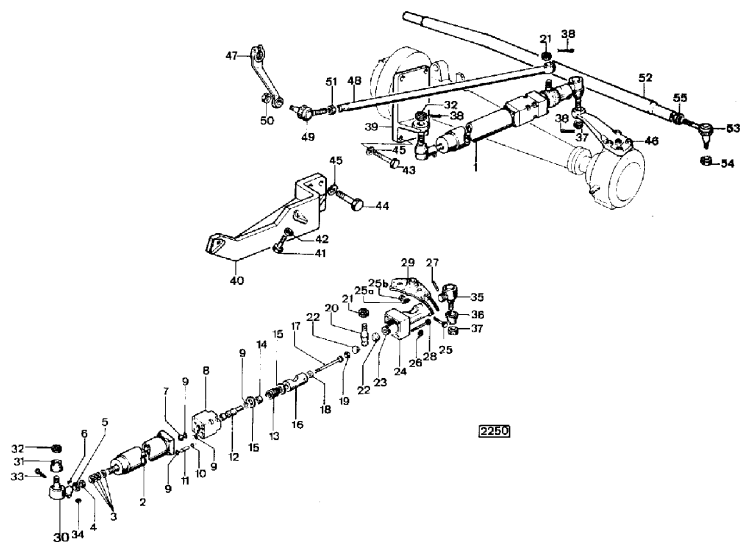


ACCESSORIES AND APPLICATION MISCELLANEOUS

Prima Serie 6000



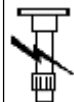
TILT CYLINDER



1420502M91	● N.L.A. (1) L. 33833	1 TOGGLE
1422190M91	● 1635479M1 (1) 2188135 (2) N.L.A. (1)	1 TOGGLE
1422193M91		1 KIT
1 978481M91	● N.L.A. (1) L. 33834	1 RAM
2 1635445M91	● N.L.A. (1)	1 PIPE
3 1635446M91		1 FACING
4 1635447M1		1 RING
5 1635448M1		1 FLANGE
6 1635449M1		2 BOLT
7 1635450M1		1 NUT
8 1635451M1		1 CYLINDER HEAD
9 1635452M91		1 FACING
10 1635453M1		1 BALL
11 1635454M1		1 VALVE
12 1635455M1	● N.L.A. (1)	1 SPOOL
13 1635456M1		1 SPRING
14 1635457M1		1 BUSH
15 1635458M1		2 WASHER
16 1635459M1		1 SLEEVE
17 1635460M1		1 SCREW
18 1635461M1		1 WASHER
19 1635463M1	● N.L.A. (1)	1 SPRING
20 1635464M1		1 BALL PIN
21 1635465M1		1 NUT
22 1635466M1		2 SEAT
23 1422192M1	● N.L.A. (1)	1 PLUG

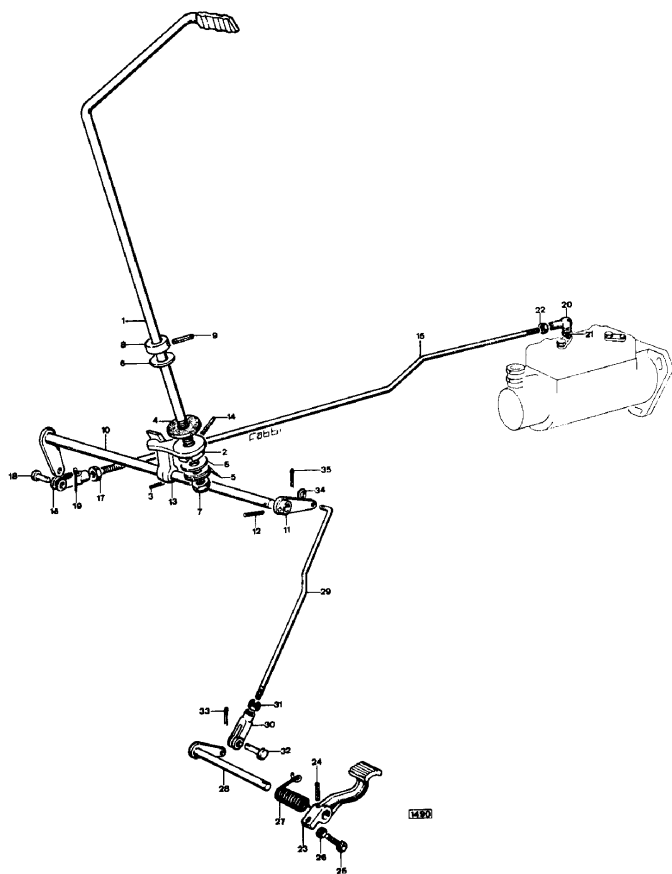
ACCESSORIES AND APPLICATION MISCELLANEOUS

Prima Serie 6000



DRIVE UNIT

Comando acceleratore



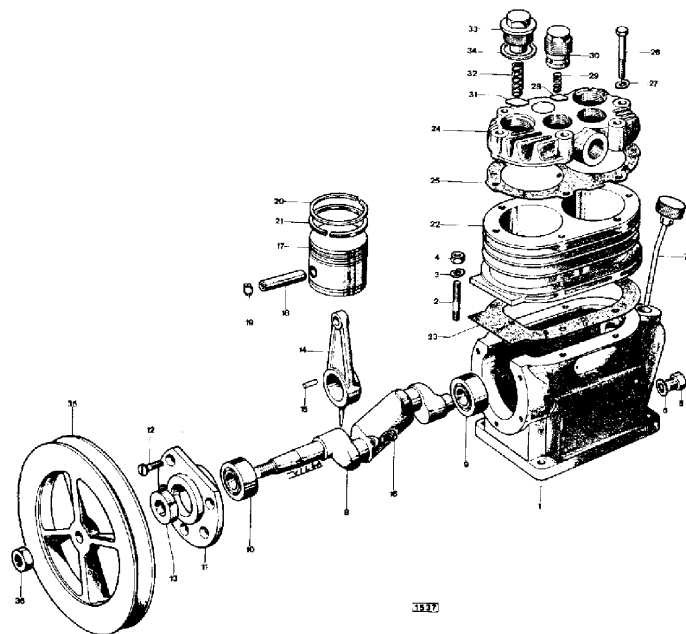
1	1819040M1	●	N.L.A. (1)	1	LEVER
2	1434535M1			1	LEVER
3	1441732X1	●	1440796X1 (1) L. N70101	1	DOWEL
4	973732M1	●	N.L.A. (1) L. 27276	1	DISC
5	981753M1			3	SPRING
6	981754M1	●	N.L.A. (2)	2	PRESSURE W
7	394381X1		L. N8834	1	NUT
8	981755M1	●	N.L.A. (1)	1	SLEEVE
9	1441732X1	●	1440796X1 (1) L. N70101	1	DOWEL
10	1434536M92			1	SHAFT
11	981764M91	●	N.L.A. (1)	1	LEVER
12	1441722X1		L. N70083	1	PIN
13	982263M1			1	PEDAL
14	1441722X1		L. N70083	1	PIN
15	1819742M1			1	KIT
16	981782M1	●	392463X1 (1)	1	CLEVIS
17	1440097X1	●	1440085X1 (1) L. N936	1	NUT BSF
18	981783M1			1	PIN
19	1440324X1	●	1442956X1 (1) L. N3886	1	PIN
20	976068M91	●	1440870X1 (1) L. 30590	1	UNIVERSAL
21	1440207X1	●	392308X1 (1) L. N918	1	NUT BSF
22	1440097X1	●	1440085X1 (1) L. N936	1	NUT BSF

ACCESSORIES AND APPLICATION MISCELLANEOUS

Prima Serie 6000

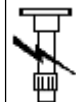


AIR COMPRESSOR



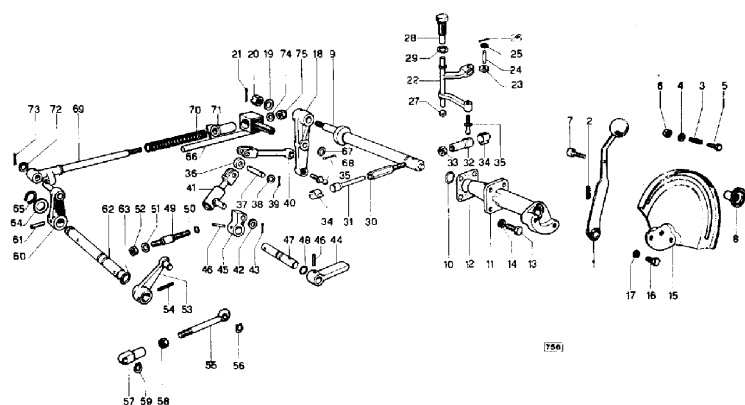
- |    |           |                            |   |        |
|----|-----------|----------------------------|---|--------|
| 26 | 339168X1  | L. N443                    | 6 | BOLT   |
| 27 | 1440313X1 | ● 339374X1 (6)<br>L. N3816 | 6 | WASHER |
| 28 | 1422541M1 |                            | 2 | VALVE  |
| 29 | 1422542M1 | ● N.L.A. (2)               | 2 | SPRING |
| 30 | 1422543M1 |                            | 2 | PLUG   |
| 31 | 1422544M1 |                            | 2 | VALVE  |
| 32 | 1422545M1 |                            | 2 | SPRING |
| 33 | 1422546M1 |                            | 2 | PLUG   |
| 34 | 1422547M1 |                            | 2 | GASKET |
| 35 | 1422548M1 |                            | 1 | PULLEY |
| 36 | 1422549M1 |                            | 1 | NUT    |

ACCESSORIES AND APPLICATION MISCELLANEOUS



Prima Serie 6000

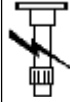
DISTRIBUTOR



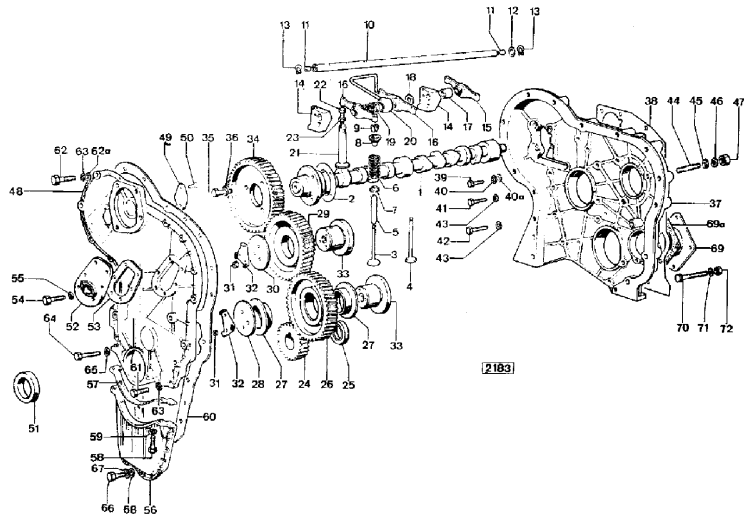
24	974583M1	●	N.L.A. (1) L. 34206	1	PIN
25	1440271X1	●	1440273X1 (2) L. N3754	2	WASHER
26	339087X1	●	390511X1 (2) L. N3905	2	PIN
27	974584M1	●	16495X (1) L. N5801	1	BALL
28	974585M1	●	N.L.A. (1) L. 34209	1	GUIDE
29	974586M1	●	N.L.A. (1) L. 34210	1	GASKET
30	974587M1		L. 34217	1	THRUSTER
31	974588M1	●	N.L.A. (1) L. 34213	1	CLEVIS PIN
32	974589M1	●	N.L.A. (1) L. 34218	1	CLEVIS PIN
33	1440208X1	●	392309X1 (1) L. N919	1	NUT BSF
34	974590M1	●	N.L.A. (2) L. 34215	2	SPRING
35	974591M1	●	N.L.A. (2) L. 34216	2	TOGGLE
36	974592M1	●	N.L.A. (1) L. 34220	1	BUSH
37	974593M1	●	N.L.A. (1) L. 34221	1	PIN
38	1440273X1		L. N3756	2	WASHER
39	390511X1		L. N3906	2	PIN
40	974594M1	●	N.L.A. (1) L. 34222	1	CLEVIS
41	974621M91	●	N.L.A. (1) L. 34219	1	STRUT
42	1440273X1		L. N3756	1	WASHER

ACCESSORIES AND APPLICATION MISCELLANEOUS

Prima Serie 6000



TIMING GEAR



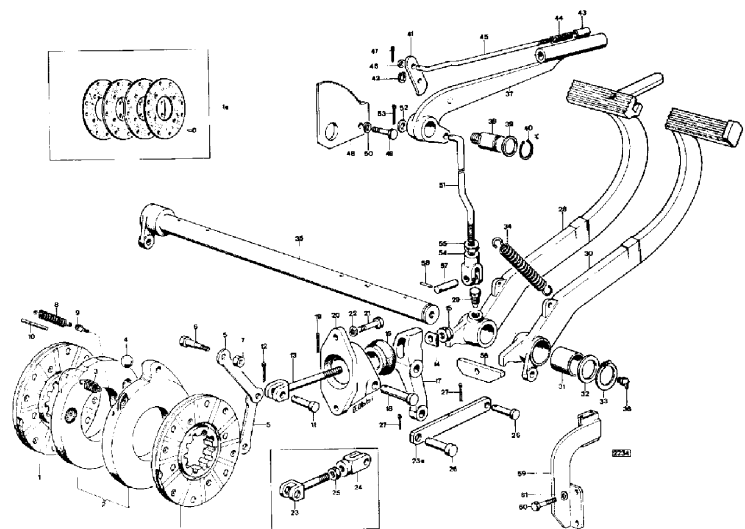
20	731147M91	L. 30135, M. 0994748	1	PIPE
21	731150M1	L. 27332, M. 0860012	8	TAPPET
22	731332M1	L. 27233, M. 0720677	8	REGISTER
23	376123X1	● 0576052 (8) L. N7971, M. 0576052	8	NUT
24	731074M1	L. 30364, M. 0410228	1	GEAR
25	731073M1	L. 30323, M. 0330934	1	SPACER
26	731797M1	L. 31244, M. 41115004	1	GEAR
27	731033M1	● 0050345 (2) L. 30366, M. 0050345	2	BUSH
28	731036M1	● 2314J011 (1) 3241A021 (3) L. 30070, M. 0941082	1	PLATE
29	731034M1	L. 30367, M. 0410227	1	GEAR
30	731036M1	● 2314J011 (1) 3241A021 (3) L. 30070, M. 0941082	1	PLATE
31	375797X1	● 2188135 (6) L. N7963, M. 0576051	6	NUT
32	731292M1	L. 30058, M. 0921246	2	WASHER
33	731031M1	L. 30368, M. 0450035	2	PIN
34	731028M1	L. 30377, M. 0410231	1	GEAR
35	353517X1	L. N7824, M. 0746254	3	SCREW
36	1650484M1	● 0920053 (3) L. N3816, M. 0920053	3	WASHER
37	734939M1	L. 31145, M. 37161651	1	GEAR
38	732687M1	L. 31054, M. 36814116	1	UNIVERSAL
39	375732X1	L. N7925, M. 0746355	4	SCREW

ACCESSORIES AND APPLICATION MISCELLANEOUS

Prima Serie 6000



BRAKES



56	981980M1	● N.L.A. (1)	1 LEVER
57	975155M1	L. 32410	1 PIN
58	1441726X1	L. N70089	1 DOWEL
59	1432591M91	Z	1 SUPPORT
60	391269X1	L. N514	2 SCREW
61	391414X1	L. N3820	2 WASHER

Z FOR STD. TRACTORS

- Z13 □
- Z15 □
- Z19 □
- Z6 □
- Z7 □
- Z8 □
- Z9 □

CLICK HERE TO **DOWNLOAD** THE COMPLETE MANUAL

- Thank you very much for reading the preview of the manual.
- You can download the complete manual from: [www.heydownloads.com](http://www.heydownloads.com) by clicking the link below

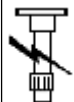


- Please note: If there is no response to CLICKING the link, please download this PDF first and then click on it.

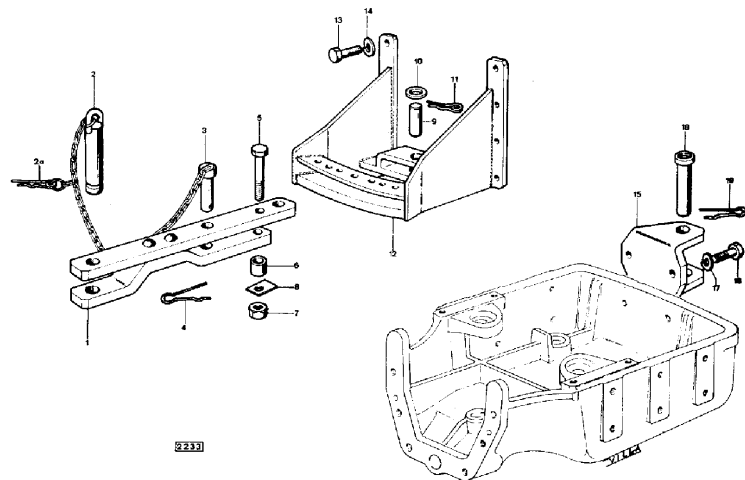
CLICK HERE TO **DOWNLOAD** THE COMPLETE MANUAL

ACCESSORIES AND APPLICATION MISCELLANEOUS

Prima Serie 6000



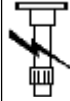
HOOK



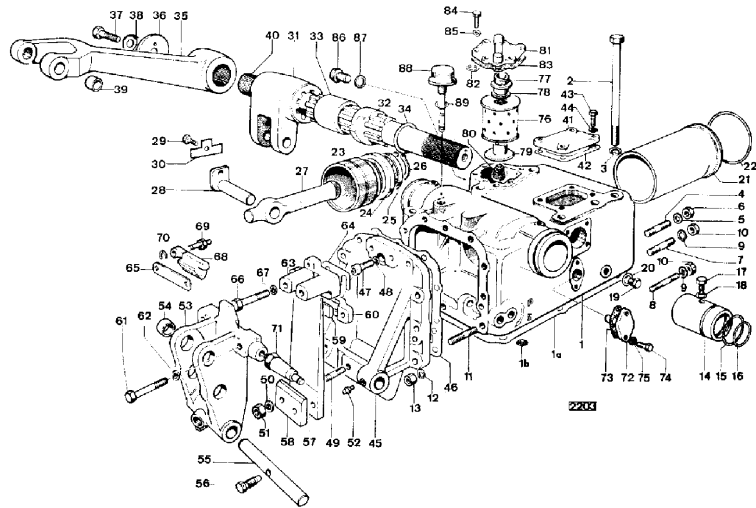
1	977371M91	● N.L.A. (1) L. 35461	1 BAR
2	1433140M1	ITEM 2A	1 CLIP
2	1821178M91		1 PIN
3	977177M91	● N.L.A. (1) L. 32495	1 PIN
4	974303M1	L. 34363	1 PIN
5	391892X1	● N.L.A. (1) L. N546	1 BOLT
6	977174M1	L. 32442	1 SPACER
7	1440093X1	● N.L.A. (1) L. 892	1 NUT BSF
8	1433151M1		1 RETAINER
9	974304M1	● N.L.A. (1) L. 32425	1 PIN
10	1440268X1	● N.L.A. (1) L. N3716	1 WASHER
11	974019M1	● N.L.A. (1) L. 32426	1 PIN
12	974305M91	● N.L.A. (1) L. 35453	1 SUPPORT
13	391893X1	L. N500	6 SCREW
14	1440316X1	L. N3819	6 WASHER
15	1821202M1	● 1821202M2 (1)	1 KNOTTER HOOK
16	391284X1	● 391120X1 (2) L. N520	2 SCREW
17	391414X1	L. N3820	2 WASHER
18	1821193M91		1 PIN
19	974303M1	L. 34363	1 PIN

ACCESSORIES AND APPLICATION MISCELLANEOUS

Prima Serie 6000



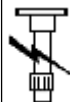
JACK ASSEMBLY



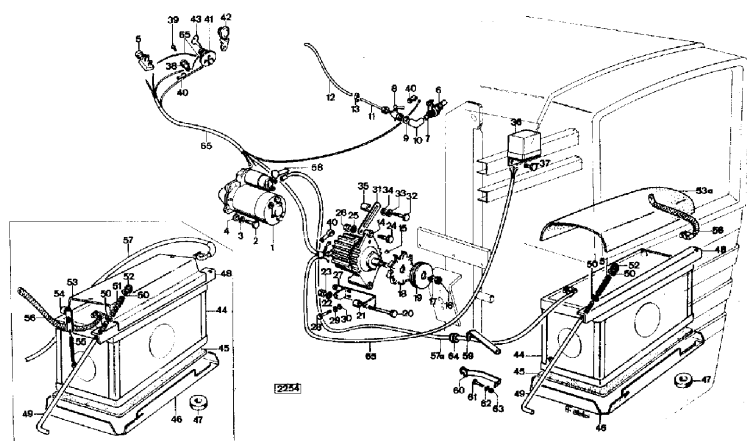
39	974523M2	L. 36219	4	BUSH
40	979374M2	● N.L.A. (1) L. 34207	1	SHAFT
41	974525M1	● N.L.A. (1) L. 34120	1	COVER
42	974526M1	L. 34121	1	GASKET
43	339123X1	L. N431	4	SCREW
44	1440313X1	● 339374X1 (4) L. N3816	4	WASHER
45	979375M1	● N.L.A. (1) L. 34269	1	SUPPORT
46	974528M1	L. 34124	1	GASKET
47	339114X1	L. N1763	1	SCREW
48	1440315X1	L. N3818	1	WASHER
49	1440050X1	● N.L.A. (2) L. N3179	2	STUD
50	1440316X1	L. N3819	2	WASHER
51	1440223X1	● 392416X1 (2) L. N1061	2	NUT BSF
52	393486X1	● 339608X1 (2) L. N6466	2	GREASER
53	978460M1	● N.L.A. (1) L. 34267	1	ARM
54	979378M1	● N.L.A. (4) L. 23272	4	BUSH
55	974531M1	● N.L.A. (1) L. 34126	1	CLEVIS PIN
56	393361X1	L. N4859	1	SCREW
57	978781M1	L. 34279	2	SPRING
58	974556M1	● N.L.A. (1) L. 34281	1	BEARER
59	979377M1	L. 34287	2	DAMPER
60	974558M1	L. 34283	1	RETAINER
61	391867X1	L. N666	2	SCREW

ACCESSORIES AND APPLICATION MISCELLANEOUS

Prima Serie 6000



STARTER



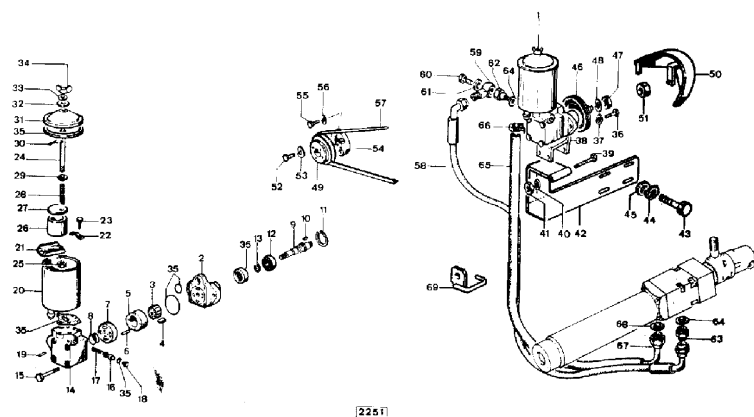
	353518X1	●	2183205 (1) L. N7825, M. 0746255	1	SCREW
1	1820610M91			1	STARTERMOTO R
2	339814X1		L. N459	1	SCREW
3	1440314X1		L. N3817	2	WASHER
4	390734X1		L. N3707	2	WASHER
5	978847M91	●	973518M91 (1) L. 33087	1	SWITCH
6	893501M1	●	2666103 (1) L. 50660, M. 2666103	1	INTAKE HEATER
7	974663M1		L. 50663	1	WASHER
8	732412M91		L. 27406, M. 31441	1	COCK
9	375743X1	●	0920107 (1) L. N6261	1	WASHER
10	977877M1		L. 28161	1	UNION
11	1817521M91	●	1820561M93 (1)	1	PIPE
12	1819391M1			1	PIPE
13	394191X1		L. N9091	2	CLAMP
14	1819478M91			1	ALTERNATOR
15	393104X1	●	3009738X1 (1) L. N4024	1	TONGUE
16	390334X1	●	339079X1 (1) L. 3816	1	NUT BSF
17	1440316X1			1	WASHER
18	1423019M1			1	FAN
19	1819477M91			1	PULLEY
20	339136X1		L. N451	1	BOLT
21	1818747M1			1	SPACER
22	1440313X1	●	339374X1 (1) L. N3816	1	WASHER
23	1440098X1	●	1440086X1 (1) L. N937	1	NUT BSF
24	339009X1		L. N437	1	BOLT

ACCESSORIES AND APPLICATION MISCELLANEOUS

Prima Serie 6000



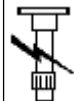
FUEL LIFT PUMP - FUEL FILTERS



[2251]

29	1635510M1		1	LOCK WASHER
30	1635511M1		1	DOWEL
31	1422181M91	● N.L.A. (1)	1	COVER
32	1422168M1		1	PRESSURE W
33	1422169M1	● N.L.A. (1)	1	PRESSURE W
34	1635513M1		1	NUT
35	1422182M91		1	KIT
36	354262X1	● 0748525 (2) L. N7708	2	BOLT UNC
37	1650486M1		2	WASHER
38	1433266M91	● N.L.A. (1)	1	SUPPORT
39	391940X1	● N.L.A. (1) L. N8464	1	BOLT
40	1440316X1	L. N3819	1	WASHER
41	1440089X1	L. N888	1	NUT BSF
42	1819030M91		1	BEARER
43	339299X1	L. N477	4	SCREW
44	1440315X1	L. N3818	4	WASHER
45	390735X1	L. N3708	4	WASHER
46	978488M2	L. 33810	1	PULLEY
47	393645X1	L. N7987	1	NUT
48	1440315X1	L. N3818	1	WASHER
49	1433244M1		1	PULLEY
50	1819726M91		1	FENCE
51	392737X1	● N.L.A. (2) L. N8007	2	NUT
52	392046X1	● 339159X1 (4) L. N446	4	SCREW
53	1440313X1	● 339374X1 (4) L. N3816	4	WASHER
54	1819035M1	● N.L.A. (1)	1	SPACER

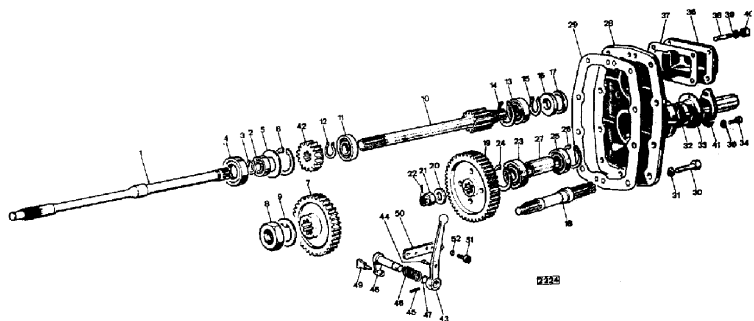
ACCESSORIES AND APPLICATION MISCELLANEOUS



Prima Serie 6000

POWER TAKE OFF

49	974436M1	●	974436M2 (1) L. 32856	1	LEVER
50	982633M1	●	N.L.A. (1)	1	SELECTOR
51	391148X1		L. N1730	2	SCREW
52	393365X1		L. N4873	2	WASHER

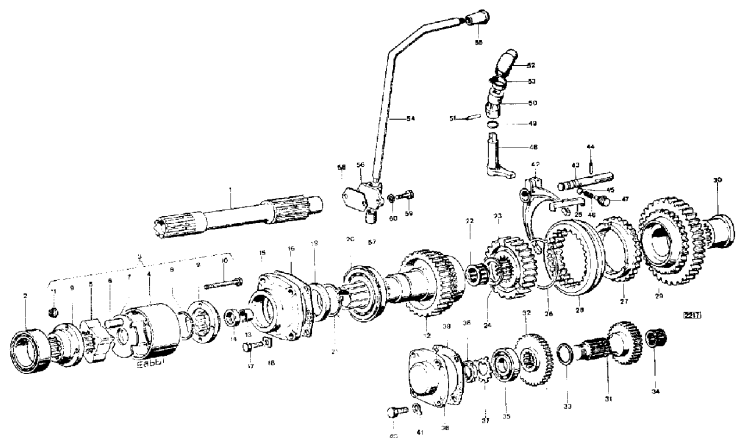


ACCESSORIES AND APPLICATION MISCELLANEOUS

Prima Serie 6000



FRONT REDUCTION GEARS



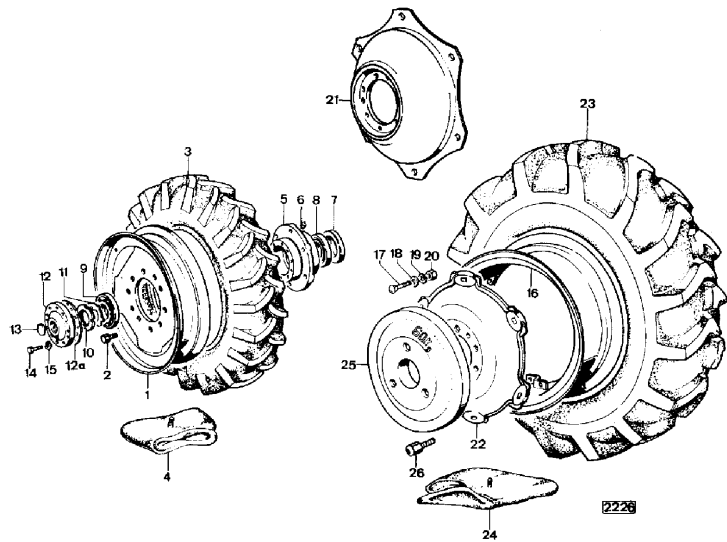
	1433153M1	● N.L.A. (1)	1 GEAR
1	1819456M1		1 SHAFT
2	1440572X1	L. N5059	1 BEARING BALL
3	978092M91	● N.L.A. (1) L. 35121	1 LINKAGE
4	978093M1	● N.L.A. (1) L. 35123	1 RING
5	978094M1	● N.L.A. (2) L. 35124	2 HUB
6	978095M1	L. 35125	16 ROLLER
7	978096M1	L. 35126	1 DISC
8	393994X1	● 1440873X1 (2) L. N8301	2 RING
9	978097M1	● N.L.A. (2) L. N35127	2 FLANGE
10	391860X1	● N.L.A. (4) L. N650	4 BOLT
11	1441564X1	● N.L.A. (4) L. N8844	4 NUT BSF
12	1819471X1		1 DRIVE SHAFT
13	1819213M1		1 BUSH
14	1441802X1	L. N9182	1 SEAL
15	1432008M1		1 SUPPORT
16	1432020M1	● N.L.A. (1)	1 GASKET
17	339761X1	L. N433	4 SCREW
18	975032M1	L. N4872	4 THRUSTER
19	1434751M1	L. N4664	1 SEAL
20	1440568X1	L. N5052	1 BUSH
21	339470X1	L. N4556	1 CIRCLIP
22	1440617X1	L. N5587	1 BUSH
23	982622M1		1 HUB
24	339678X1	L. N4553	1 SEGMENT

ACCESSORIES AND APPLICATION MISCELLANEOUS

Prima Serie 6000

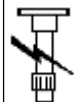


RIM & TIRES



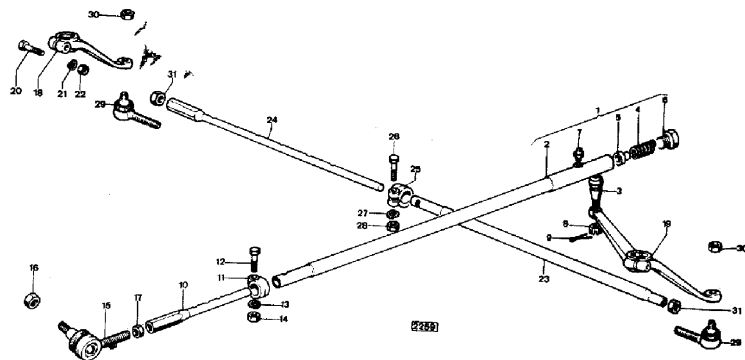
	1818983M91	Z19	2	WHEEL
1	975974M91	L. 34551	2	WHEEL
2	975975M1	● 2714633M4 (12) 392501X1 (12)	12	BOLT
3	975976M1	L. N6833	2	TYRE AND TUBE
4	975977M91	L. N6863	2	CHAMBER
5	975978M1		2	HUB
6	393486X1	● 339608X1 (2) L. N6466	2	GREASER
7	974951M1	L. N4667	2	GASKET
8	391336X1	L. N5673	2	BEARING
9	390504X1	L. N5659	2	BEARING
10	974953M1	● N.L.A. (4)	4	BUSH
11	974954M1	● N.L.A. (2) L. N4944	2	WASHER
12	974956M1	● N.L.A. (2) ITEM 12A	2	COVER
12	979555M1		2	GASKET
13	1819441X1		2	COVER
14	391911X1	● 1440266X1 (20) L. N683	20	SCREW
15	1440315X1	L. N3818	20	WASHER
16	1434770M91	Z15 L. 35693	2	WHEEL
16	1819587M91	● N.L.A. (2) Z5	2	RIM
16	975225M91	Z11 L. 32752	2	RIM
17	1441992X1	● 3304220M1 (12) Z11 L. N9625	12	SCREW
17	394877X1	● 3671701M1 (12) Z5 L. N9646	12	SCREW

ACCESSORIES AND APPLICATION MISCELLANEOUS



Prima Serie 6000

STEERING



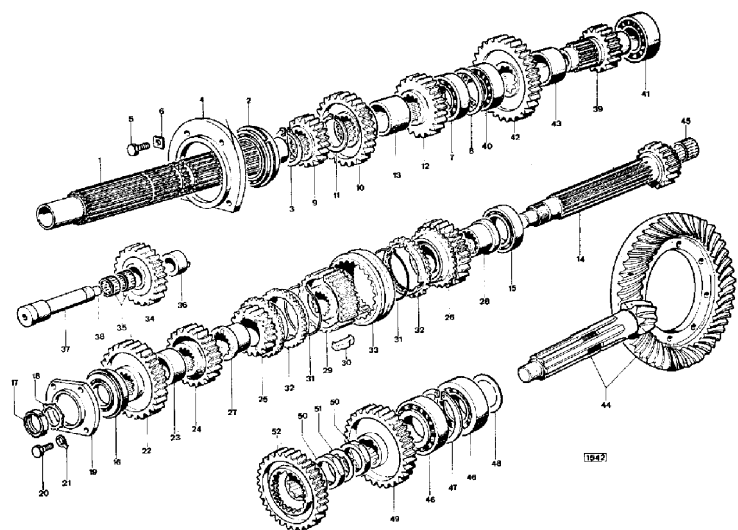
20	390690X1	●	3015045X1 (2) L. N490	2	BOLT
21	1440315X1		L. N3818	2	WASHER
22	1440088X1	●	1440200X1 (2) L. N886	2	NUT
23	978148M1	●	N.L.A. (1) L. 32542	1	BAR
24	978149M1	●	978149M3 (1) L. 32543	1	KIT
25	974353M1		L. 32512	1	CLAMP
26	339403X1		L. N487	1	SCREW
27	1440315X1		L. N3818	1	WASHER
28	1440088X1	●	1440200X1 (1) L. N886	1	NUT
29	1821234M91			2	BALL
30	393565X1		L. N7011	2	NUT BSF
31	392817X1		L. N1917	2	NUT BSF

ACCESSORIES AND APPLICATION MISCELLANEOUS

Prima Serie 6000



TRANSMISSION



13	982615M1	●	N.L.A. (1)	1	SPACER
14	1818787M1	●	N.L.A. (1)	1	SHAFT
15	1441346X1		L. N60488	1	BUSH
16	1440559X1		L. N5034	1	BEARING
17	1440539X1		L. N4904	1	NUT
18	1441034X1	●	N.L.A. (1) L. N4934	1	WASHER
19	1432009M1			1	FLANGE
20	339761X1		L. N433	4	SCREW
21	975032M1		L. N4872	4	THRUSTER
22	982609M1			1	GEAR
23	982611M1	●	N.L.A. (1)	1	SPACER
24	982610M1	●	N.L.A. (1)	1	GEAR
25	1819398M91		A	1	KIT
26	1818786M1	●	N.L.A. (1)	1	GEAR
27	1432678M1	●	N.L.A. (1)	1	BUSH
28	1818789M1			1	BUSH
29	982623M1	●	N.L.A. (1)	1	HUB
30	982626M1			3	SKID
31	1432012M1			2	SPRING
32	982625M1			2	RING
33	982624M1			1	SLEEVE
34	982612M1	●	N.L.A. (1)	1	PINION
35	1440609X1	●	N.L.A. (2) L. N5588	2	BUSH
36	982614M2	●	N.L.A. (1)	1	SPACER

CLICK HERE TO **DOWNLOAD** THE COMPLETE MANUAL

- Thank you very much for reading the preview of the manual.
- You can download the complete manual from: [www.heydownloads.com](http://www.heydownloads.com) by clicking the link below



- Please note: If there is no response to CLICKING the link, please download this PDF first and then click on it.

CLICK HERE TO **DOWNLOAD** THE COMPLETE MANUAL