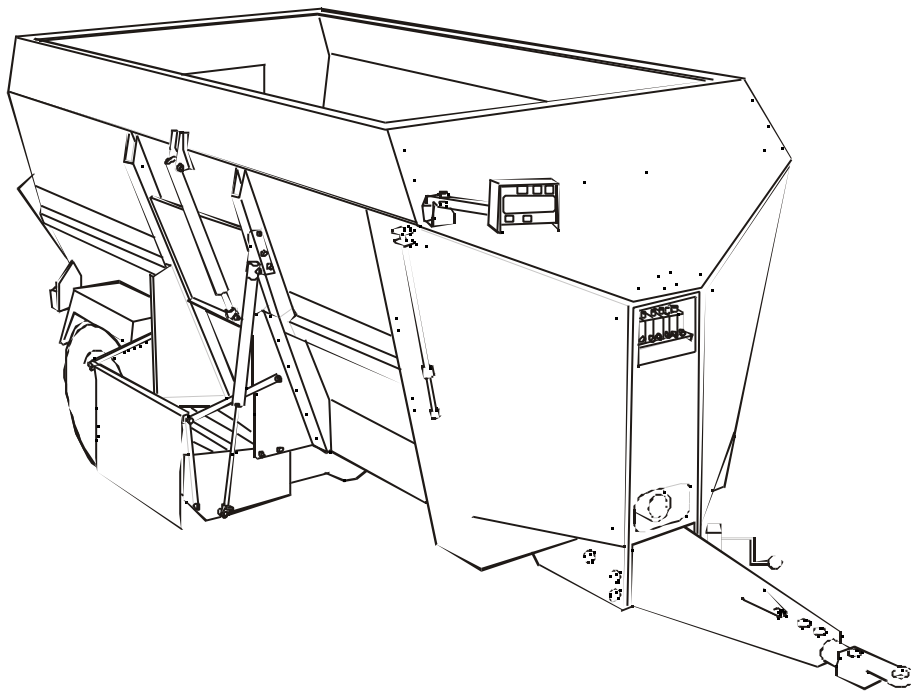


## **Spare Parts List**

**Taarup 608-2, 610-2,  
612-2 & 614-2**



CLICK HERE TO **DOWNLOAD** THE COMPLETE MANUAL

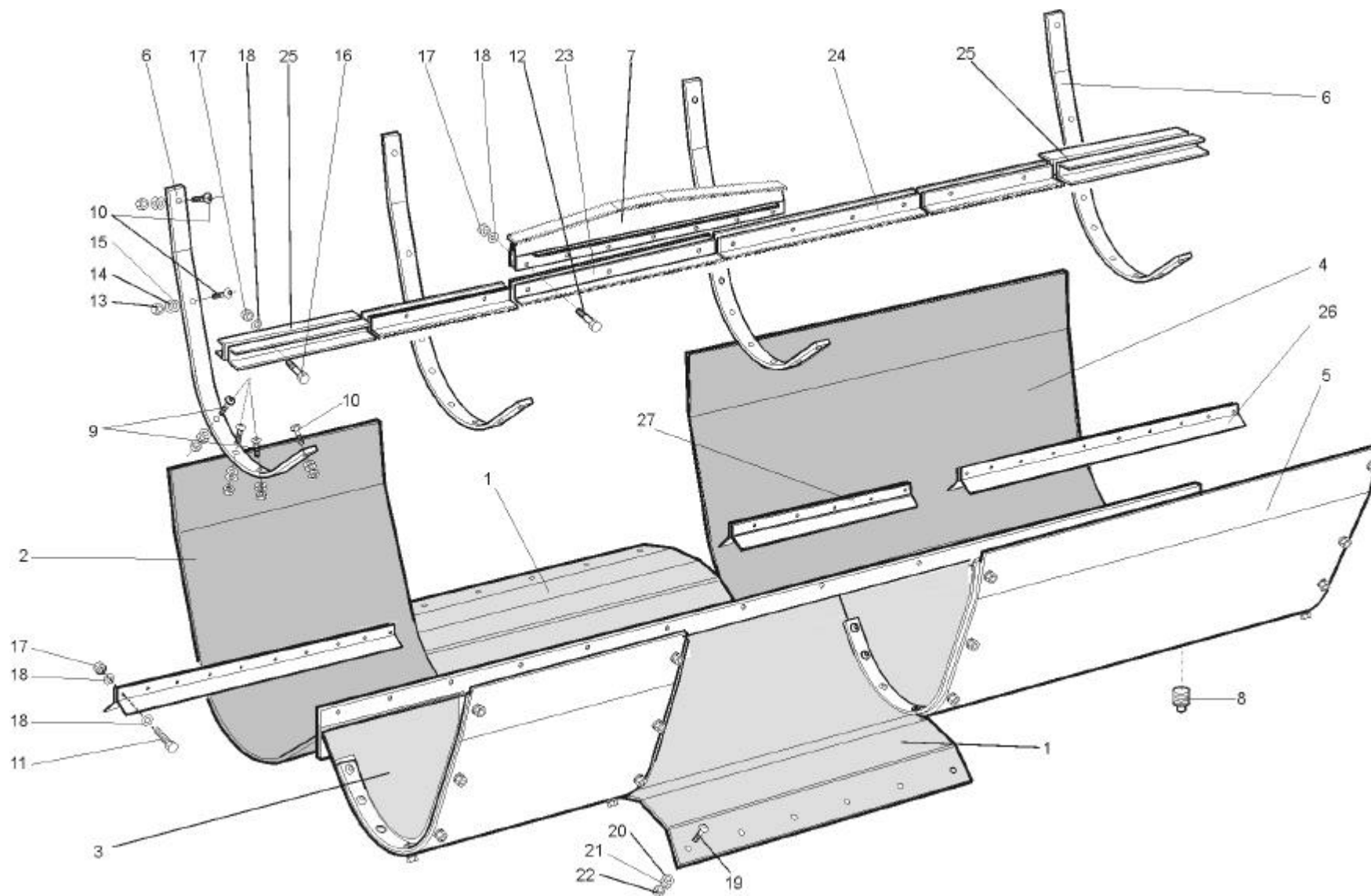
- Thank you very much for reading the preview of the manual.
- You can download the complete manual from: [www.heydownloads.com](http://www.heydownloads.com) by clicking the link below



- Please note: If there is no response to CLICKING the link, please download this PDF first and then click on it.

CLICK HERE TO **DOWNLOAD** THE COMPLETE MANUAL

# SHEAR BARS & LINERS

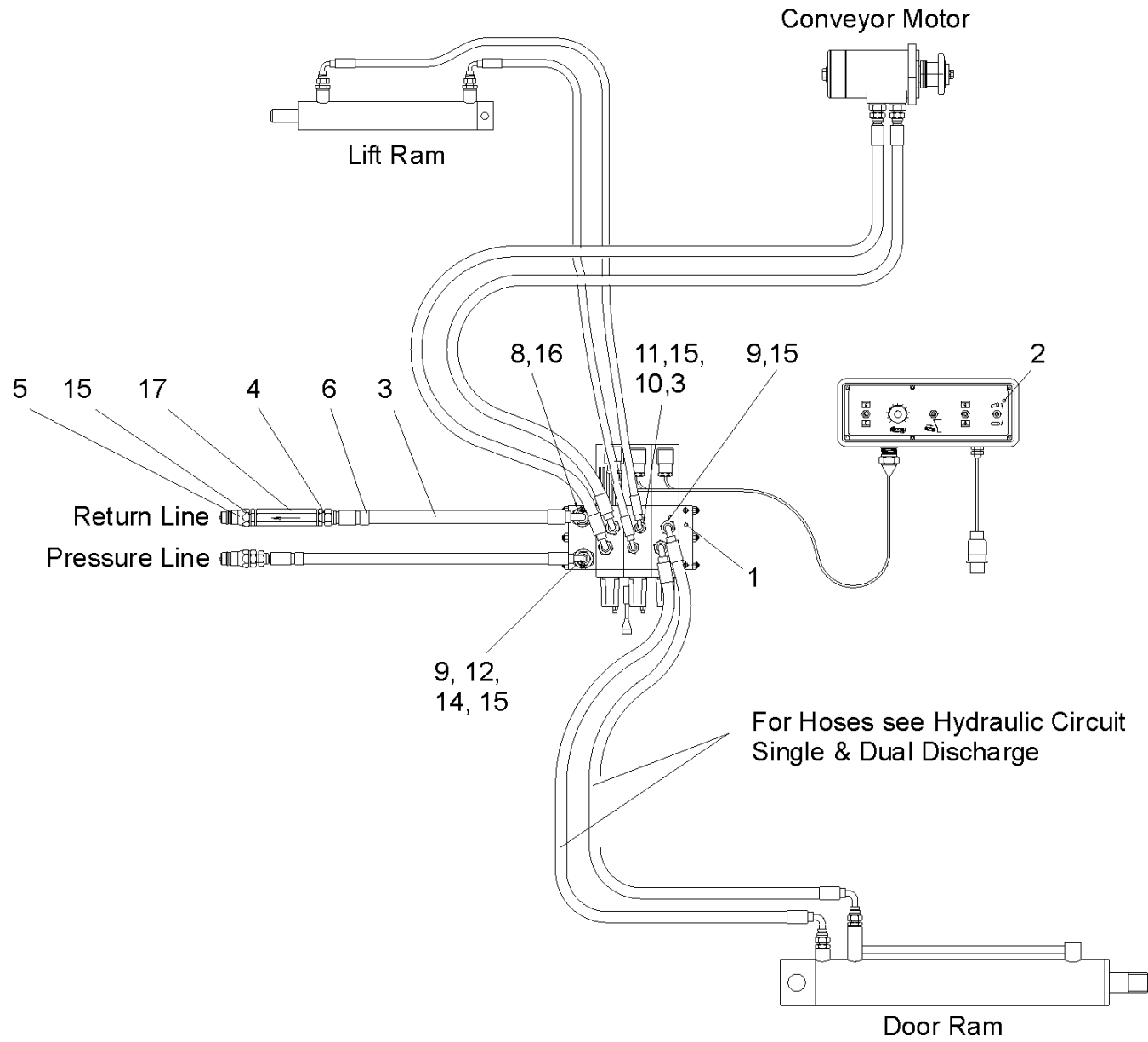


### 330mm CONVEYOR EXTENSION

Ref	Part No.	Item Description	No. Used	Ref	Part No.	Item Description	No. Used
1	KD1170842	Chain and Slat Repair Kit	2	8	KD0500462	M8 Spring Washer	17
1	KD1170622	Chain & Slat Extension - 330 mm	1	9	KD0500102	Plain Nut	17
*	KD1170483	C55 Connecting Link Kit	2	10	KD1170632	Conveyor Extension Shell	1
*	KD1440901	C55 Inner Cast Link	As Req'd	11	KD1170356	Locknut	4
2	KD1170631	Glide Strip	2	13	KD1170695	Glide Strip	2
3	KD0500666	Taptite Screw - M6 X 12	4	14	KD0500602	M8 X 20 Countersunk Setscrew	4
4	KD1170690	Adhesive Tape	4	15	KD1170268	Floor Extension W/A	1
5	KD1170627	Conveyor Extension Upper Panel	1	16	KD1170621	Conveyor Extension Lower Panel	1
6	KD0500501	M8 X 25 Bolt, Cup Square	9	17	KD0500503	M8 X 35 Bolt, Cup Square	4
7	KD0500983	M8 Washer - Form G	17				

\* NOT ILLUSTRATED

# ELECTRIC HYDRAULICS

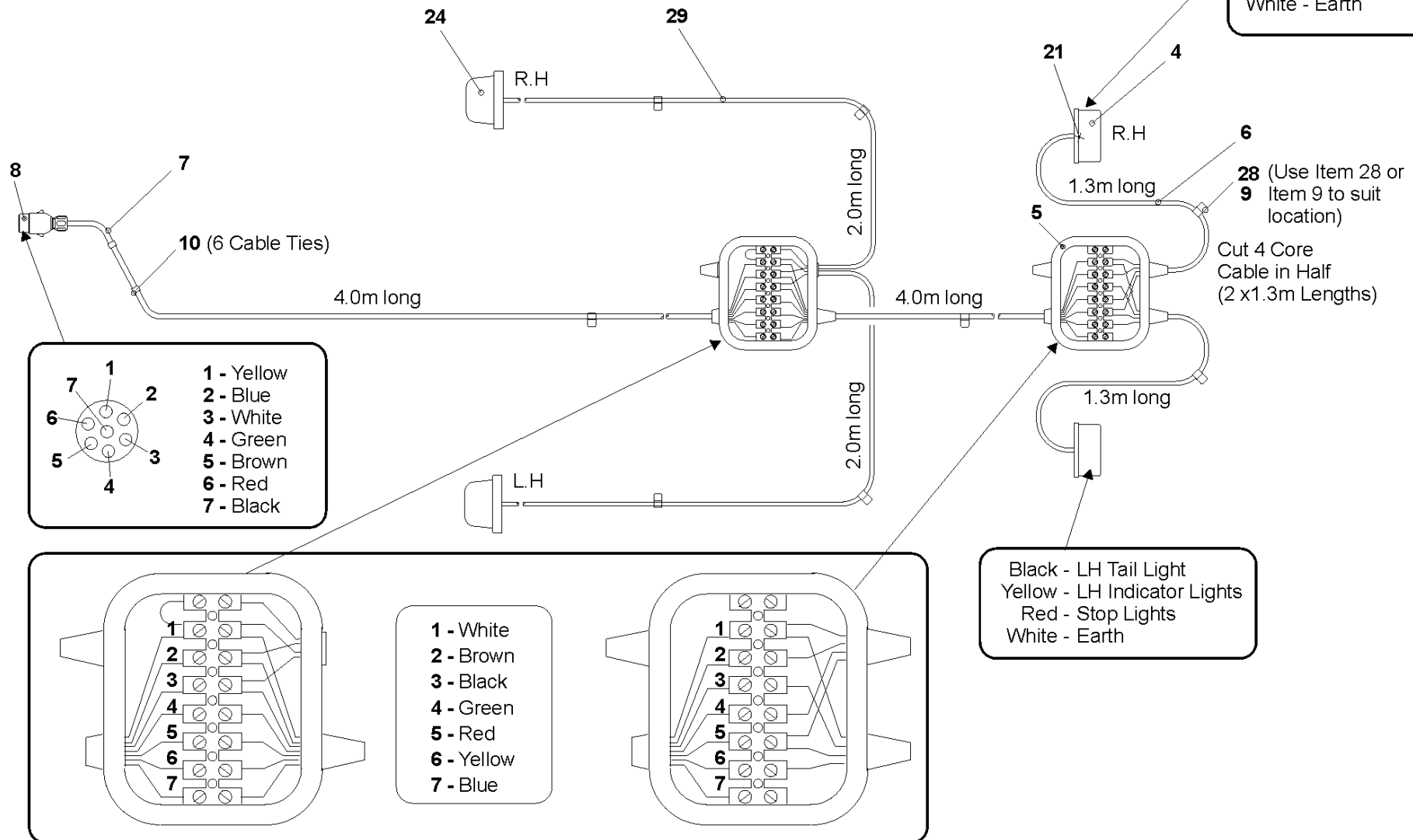


### 70mm & 80mm BRAKED HUBS

Ref	Part No.	Item Description	No. Used	Ref	Part No.	Item Description	No. Used
1	KD1441030	Hub Cap (80mm Braked)	2				
1	KD1560750	Hub Cap (70mm Braked)	2				
2	KD1441031	Split Pin (80mm Braked)	2				
2	KD1560751	Split Pin (70mm Braked)	2				
3	KD1441032	Castle Nut (80mm Braked)	2				
3	KD1560752	Castle Nut (70mm Braked)	2				
4	KD1441033	Outer Bearing Assembly (80mm Braked)	2				
4	KD1560753	Outer Bearing Assembly (70mm Braked)	2				
5	KD1441034	Hub (80mm Braked)	2				
5	KD1560754	Hub (70mm Braked)	2				
6	KD1441036	Wheel Nut (80mm Braked)	16				
6	KD1560755	Wheel Nut (70mm Braked)	16				
7	KD1441037	Spring Washer (80mm Braked)	16				
7	KD1560756	Spring Washer (70mm Braked)	16				
8	KD1441038	Inner Bearing Assembly (80mm Braked)	2				
8	KD1560757	Inner Bearing Assembly (70mm Braked)	2				
9	KD1441039	Oil Seal (80mm Braked)	2				
9	KD1560758	Oil Seal (70mm Braked)	2				
10	KD1441040	Brake Drum C/W Wheel Studs (80mm Braked)	2				
10	KD1560759	Brake Drum C/W Wheel Studs (70mm Braked)	2				
11	KD1441035	Wheel Stud (80mm Braked)	16				
11	KD1560760	Wheel Stud (70mm Braked)	16				
12	KD1441042	Brake Spring (80mm Braked)	2				
12	KD1560761	Brake Spring (70mm Braked)	2				
13	KD1441041	Brake Shoe (80mm Braked)	4				
13	KD1560762	Brake Shoe (70mm Braked)	4				
15	KD1441044	Brake Shoe Pivot Block (80mm Braked)	2				
15	KD1560763	Brake Shoe Pivot Block (70mm Braked)	2				
16	KD1441045	Washer (80mm Braked)	2				
16	KD1560764	Washer (70mm Braked)	2				
17	KD1441046	Lock Nut (80mm Braked)	2				
17	KD1560765	Lock Nut (70mm Braked)	2				
18	KD1441047	Brake Rod (80mm Braked)	2				
18	KD1560766	Brake Rod (70mm Braked)	2				

# LIGHTING

**4 Core Cable:**  
 Brown - RH Tail Light  
 Green - RH Indicator Lights  
 Red - Stop Lights  
 White - Earth



**PTO SHAFT (WALTERSCHEID)**

Ref	Part No.	Item Description	No. Used	Ref	Part No.	Item Description	No. Used
1	KD0910446	PTO Shaft Complete	122905	1			
2		Inner PTO Shaft With Outer Guard Half		56	KD0500254	M8 x 60 g 8.8 Shear Bolt	As Reqd
3		Outer PTO Shaft With Inner Guard Half		57	KD0500112	M8 Stiff Nut	As Reqd
4		Outer Guard Half	368518				
5		Inner Guard Half	368516				
11		Quick Release Yoke	056699				
12		Quick Release Pin Cpl	339107				
13		Shear Bolt Clutch	327808				
14		Hexagon Bolt	020443				
21		Cross & Bearing Kit	312410				
22		Lubrication Fitting	084099				
23		Inboard Yoke	019518				
24		Spring Type Straight Pin	020617				
25		Profile Tube	081133				
26		Profile Tube	081058				
27		Inboard Yoke	019519				
51		Guard Cone	365366				
52		Reinforcing Collar Screw	365305				
53		Bearing Ring	359471				
54		Bearing Ring	087276				
55		Safety Chain	044321				

CLICK HERE TO **DOWNLOAD** THE COMPLETE MANUAL

- Thank you very much for reading the preview of the manual.
- You can download the complete manual from: [www.heydownloads.com](http://www.heydownloads.com) by clicking the link below



- Please note: If there is no response to CLICKING the link, please download this PDF first and then click on it.

CLICK HERE TO **DOWNLOAD** THE COMPLETE MANUAL