

# Instructions for Parts Books

The heading at the top of the page will be the same for the picture of the parts as it is for the page with the part numbers.

Definition of column headings on part number pages:

**REF.No** → The number referring to the part on the picture page of the parts book.

**Part No.** → The number assigned to this part at the time of printing the parts book.

**Description** → Description of part.

**Q'ty** → Quantity of part used on that page.

**S.No.** → Serial number range of the equipment that this part will fit.

>= Your serial number should be greater than or equal to the number shown.

<= Your serial number should be lesser than or equal to the serial number shown.

**I/C** → Interchangeability of part shown.

↔ The part shown will work for the older and later serial number.

# The part shown is not interchangeable with the other serial number.

← new for old

→ old for new

**Remarks** → Notes about this particular part. Sometimes this may say except [FR] or [CA]

## Note about Country Codes:

The parts books we use in the United States of America may also contain information about a part that would be different in another country. It is important that you are aware of the country codes in some instances.

| Symbol | Country                  |
|--------|--------------------------|
| A      | United States of America |
| CA     | Canada                   |
| FR     | France                   |
| GR     | Greece                   |
| PO     | Portugal                 |
| AU     | Australia                |

If the remarks column says for example EXCEPT [FR] this part works in all countries except France. That means it will work here in the USA.

CLICK HERE TO **DOWNLOAD** THE COMPLETE MANUAL

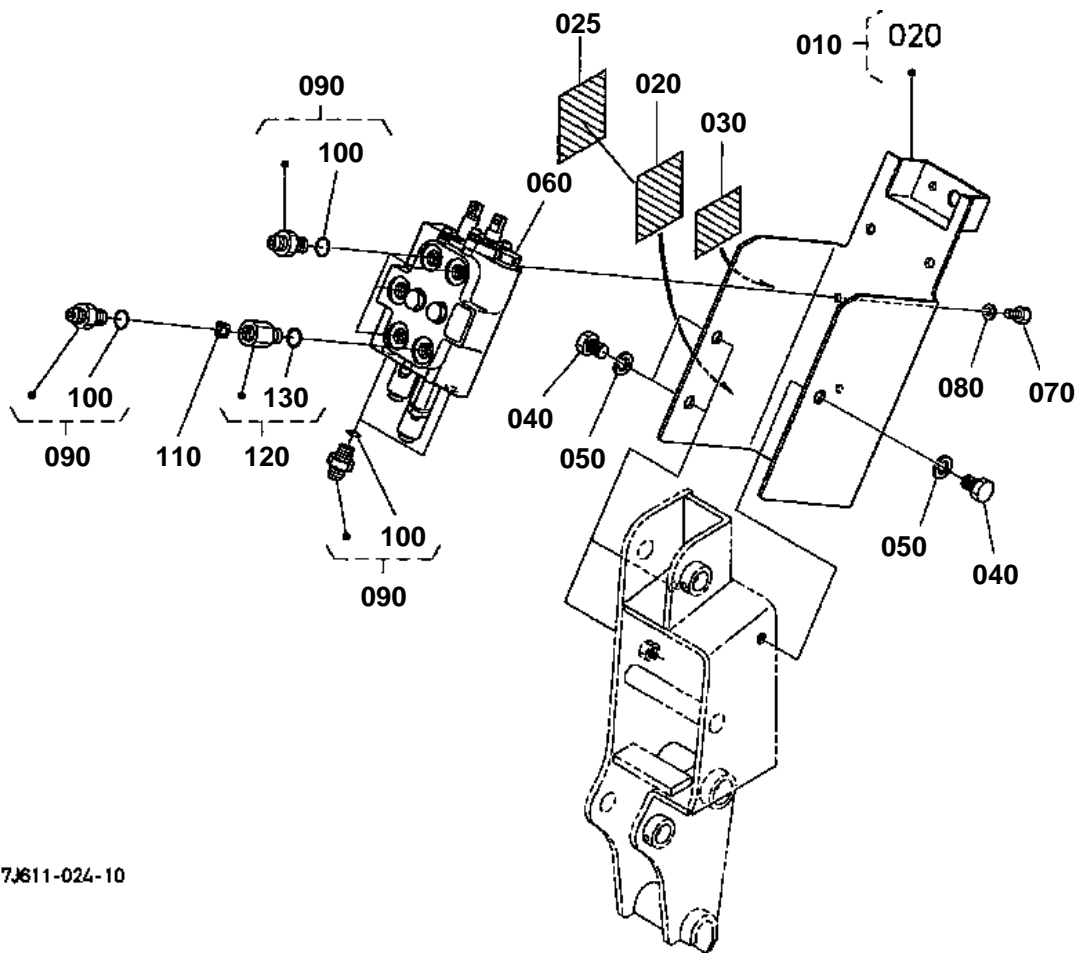
- Thank you very much for reading the preview of the manual.
- You can download the complete manual from: [www.heydownloads.com](http://www.heydownloads.com) by clicking the link below



- Please note: If there is no response to CLICKING the link, please download this PDF first and then click on it.

CLICK HERE TO **DOWNLOAD** THE COMPLETE MANUAL

CONTROL VALVE [BX2013 3-POSITION C/V]



7.611-024-10

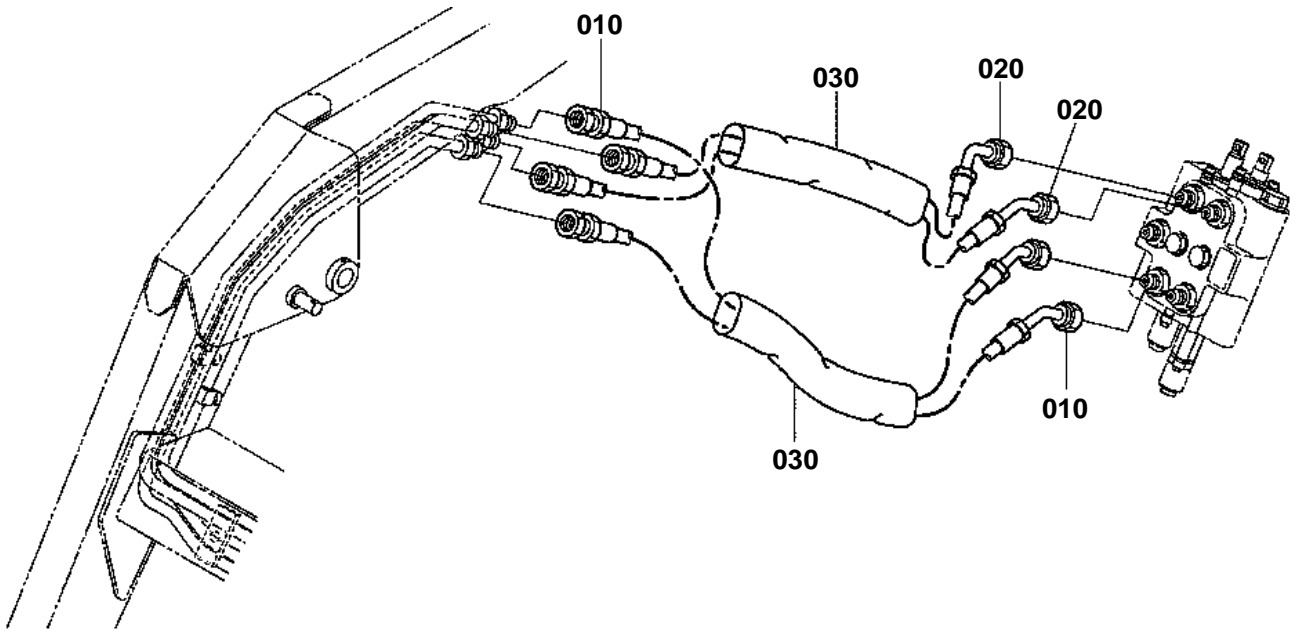
**CONTROL VALVE [COMPONENT PARTS] [4-POSITION C/V]**

S.No.;&lt;=29999

↔ Interchangeable; ≠ not interchangeable; ← new for old; → old for new

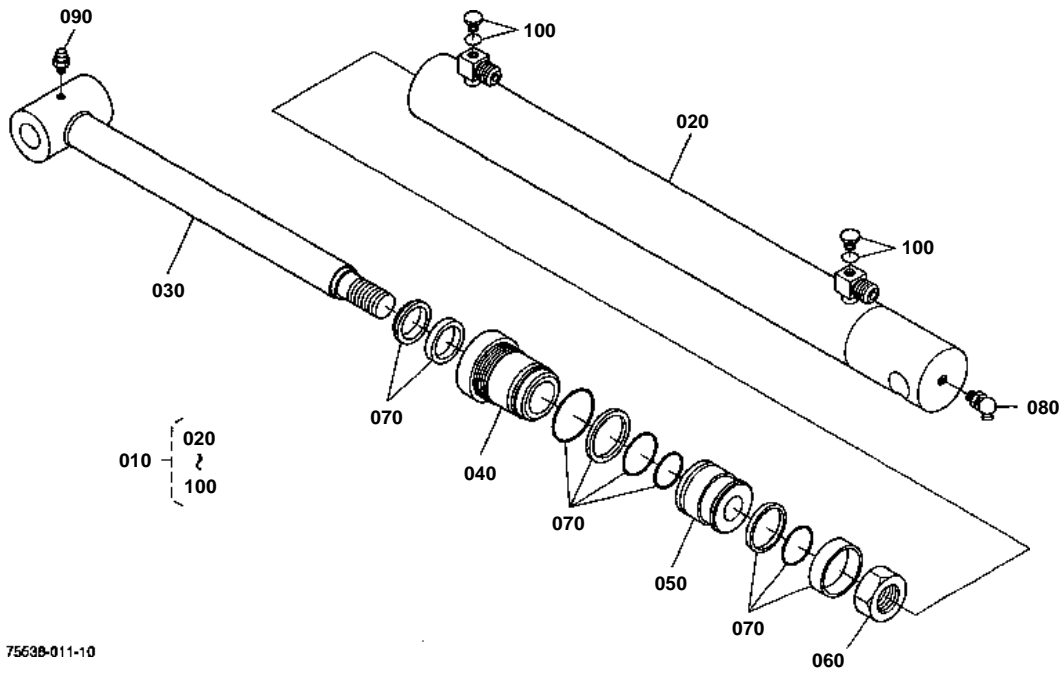
| REF.No | Part No.    | Description          | Q'ty | S.No. | I/C | REMARKS | Weight (kgf) | Weight (lb) |
|--------|-------------|----------------------|------|-------|-----|---------|--------------|-------------|
| 010    | 75532-62010 | VALVE CONTROL        | 1    |       |     |         | 7.5          | 16.5        |
| 020    | 75540-61450 | CAP-SPOOL            | 2    |       |     | 5028    | 0.032        | 0.0704      |
| 030    | 75536-65400 | KIT DETENT FLOAT     | 1    |       |     |         | 0.21         | 0.462       |
| 040    | 75536-65100 | KIT DETENT REGEN.    | 1    |       |     |         | 0.23         | 0.506       |
| 050    | 75546-65100 | SHUT-OFF PLUG ASSY   | 1    |       |     |         | 0.1          | 0.22        |
| 060    | 75536-65700 | CAP SCREW-SOC.HD.    | 2    |       |     |         | 0.002        | 0.0044      |
| 070    | 75540-61410 | CAP SCREW-SOC.HD.    | 2    |       |     | 3426    | 0.01         | 0.022       |
| 080    | 75536-65200 | KIT LOAD CHECK       | 2    |       |     |         | 0.03         | 0.066       |
| 090    | 75536-65300 | KIT SEAL             | 1    |       |     |         | 0.006        | 0.0132      |
| 100    | 75536-65500 | KIT UPPER BOOM SPOOL | 1    |       |     |         | 0.102        | 0.2244      |
| 110    | 75536-65600 | KIT UPPER BKT SPOOL  | 1    |       |     |         | 0.025        | 0.055       |
| 120    | 75536-65900 | CAP SCREW-SOC.HD.    | 4    |       |     |         | 0.02         | 0.044       |
| 130    | 75540-61330 | PLATE-SEAL           | 7    |       |     | 5012    | 0.012        | 0.0264      |

HYDRAULIC HOSE 1 [3-POSITION C/V]



7J611-009-11

CYLINDER (BOOM)[COMPONENT PARTS]



75638-011-10

CLICK HERE TO **DOWNLOAD** THE COMPLETE MANUAL

- Thank you very much for reading the preview of the manual.
- You can download the complete manual from: [www.heydownloads.com](http://www.heydownloads.com) by clicking the link below



- Please note: If there is no response to CLICKING the link, please download this PDF first and then click on it.

CLICK HERE TO **DOWNLOAD** THE COMPLETE MANUAL